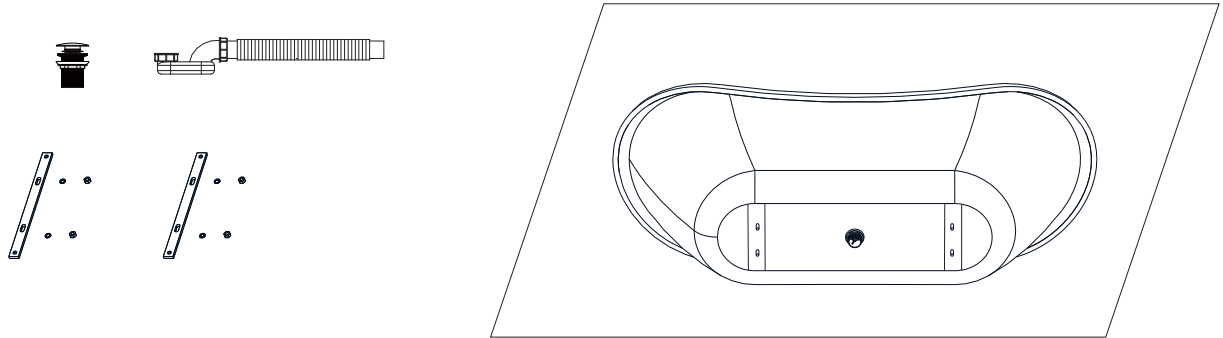
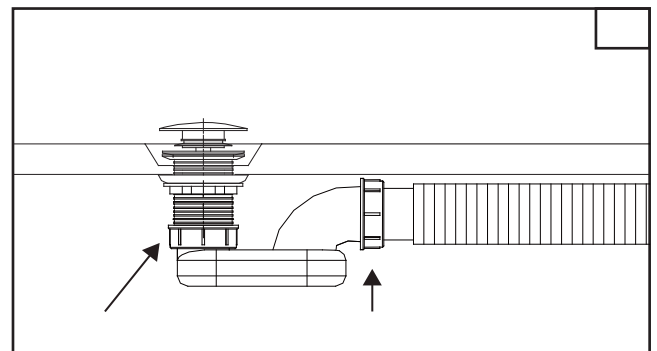
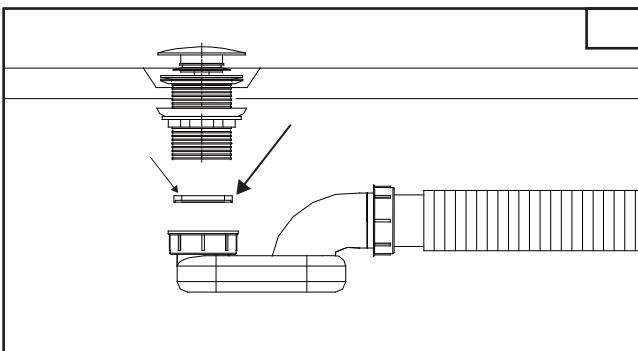
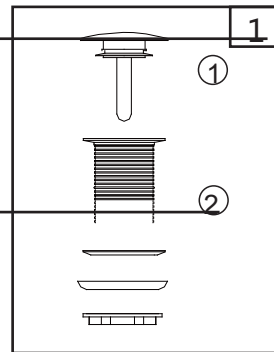


CLAWFOOT BATHTUB INSTALLATION

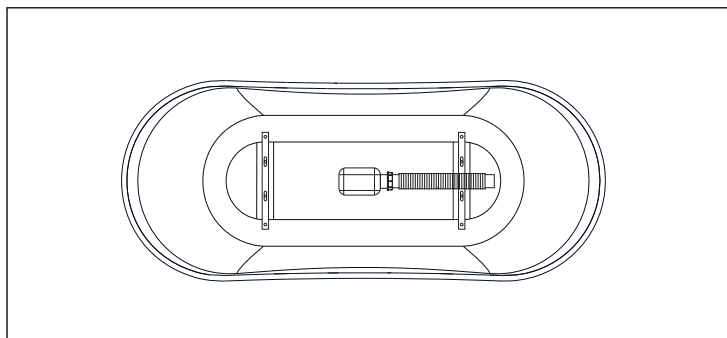
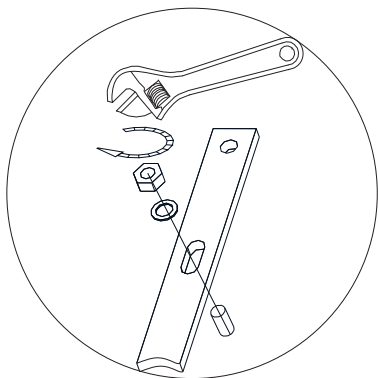
1. Take out the bathtub from the carton.(avoiding scratching the surface of the bathtub, Setting the bathtub on a clean carton or other clean surface. Do not set it on an irregular surface directly). Take all the other accessories from the carton and prepare the tools : Levelling instrument and monkey wrench .



2. Assemble your drain system as below diagram, put drain cover ① on the drain hole, put this ② under the drain hole, and hand tighten to prevent water leakage. Following the photos direction, installing the drainer pipe (attention: in the drainer there is a waterproof rubber mat ,do not loose it ,and it is important to put rubber washer as on the diagram. After set the rubber mat on the surface of the pipe,and the connective the pipe with the drainer,screwing the pipe to the drainer tightly base on clockwise).



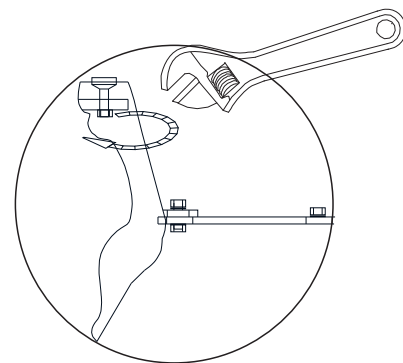
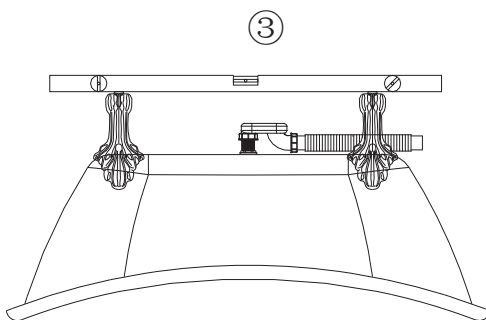
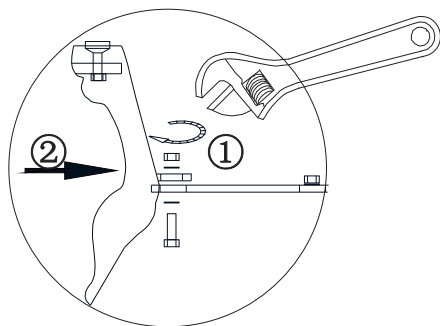
3. Please fix the bathtub bracket following the directions.



4. Following picture ① direction , please connect the tiger feet and the flat shelf with the screw (and first time do not screwing tightly , just screwing lax)

Following picture②, Affixing the tiger feet to the bathtub bottom angle position , checking the feet whether coonected with the bathtub surface perfectly, and then following the picture ① screwing the feet tightly

Following picture ③, checking the ground whether flat with levelling instrument (if the ground is not flat, please following the right picture , loosing the feet adjusting nut, adjusting the feet to a proper height , and use the Monkey wrench tightly nut)



5. Moving the bathtubs to the confirmed installing position ,(before installing the bathtub, please make sure the ground is flat , and make sure the ground is strong enough) and last , please take the drainer pipe insert into the drainer .

