

ASSEMBLY INSTRUCTIONS

ITEM. : 7516VB37

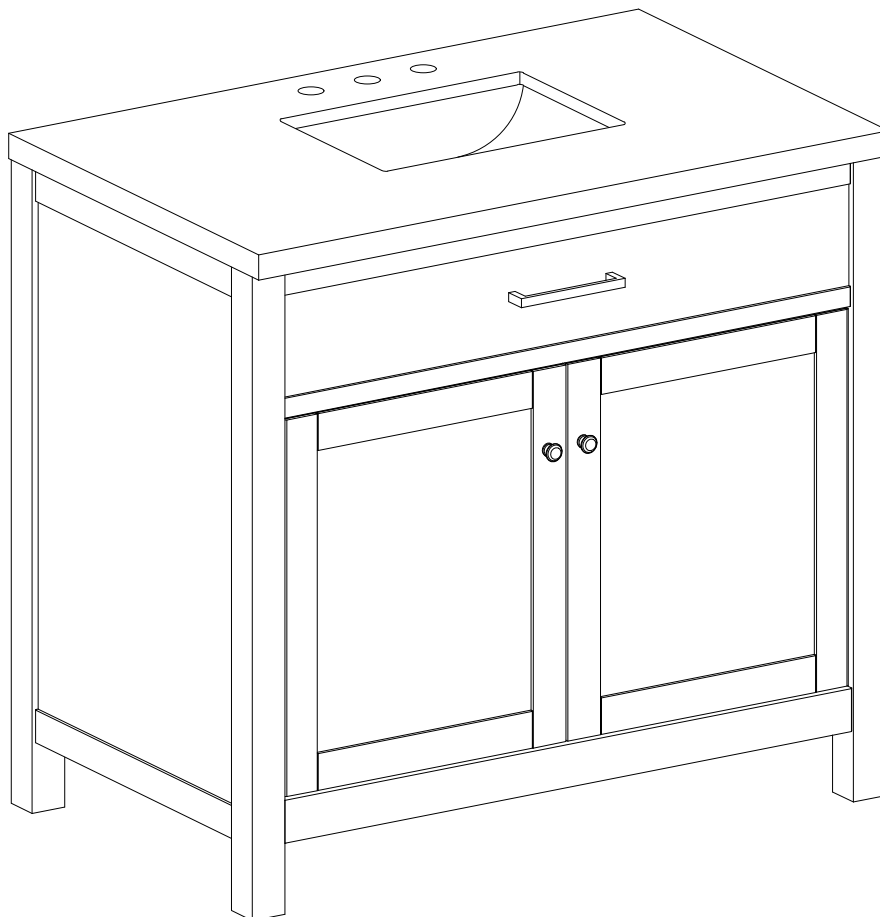
DESCRIPTION : 36" VANITY BASE

IMPORTANT NOTE

****PLACE ALL PARTS ON A CLEAN AND SMOOTH SURFACE SUCH AS A RUG OR CARPET TO AVOID THE PARTS FROM BEING SCRATCHED**

****BEFORE YOU BEGIN, KINDLY FOLLOW THE ASSEMBLY INSTRUCTIONS STEP BY STEP**

****DO NOT TIGHTEN ALL THUMB SCREWS UNTIL THE CABINET IS FULLY SET-UP**



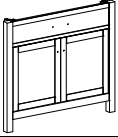

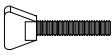






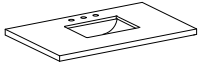
PLEASE DO NOT RETURN PRODUCT TO THE STORE

ASSEMBLY INSTRUCTIONS

ITEM. : 7516VB37

DESCRIPTION : 36" VANITY BASE

CARTONS ONLY ONE / HARDWARE LIST

PART LISTS				HARDWARE LIST			
NO	DESCRIPTION	SKETCH	Q'TY	NO	DESCRIPTION	SKETCH	Q'TY
Ⓐ	Front frame		1 PC	①	Round thumb screw Ø1/4*25mm		8 PCS
				②	Wing thumb screw Ø1/4*30mm		8 PCS
Ⓑ	Back frame		1 PC	③	Handle thumb screw Ø5/32*25mm		4 PCS
				④	Knob		2 PCS
Ⓒ	Side panel		2 PC	⑤	Handle		1 PC
				Ⓓ	Bottom panel		1 PC
Ⓔ	Top Stone		1 PC				

MATERIALS NEEDED (NOT INCLUDED)



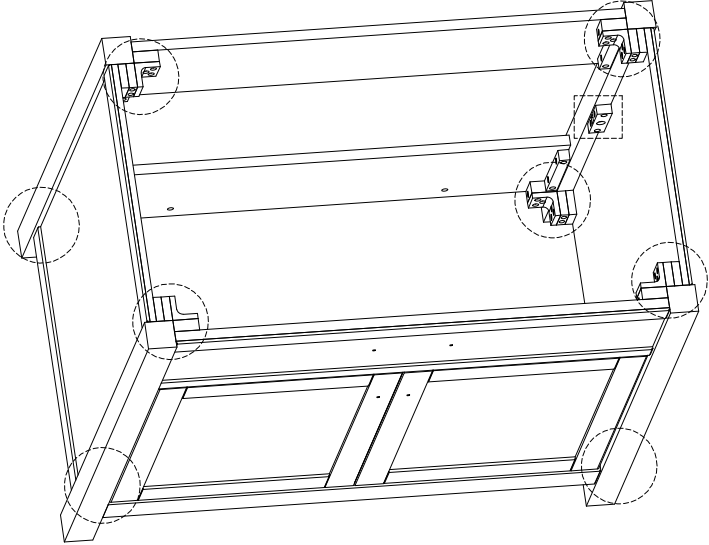
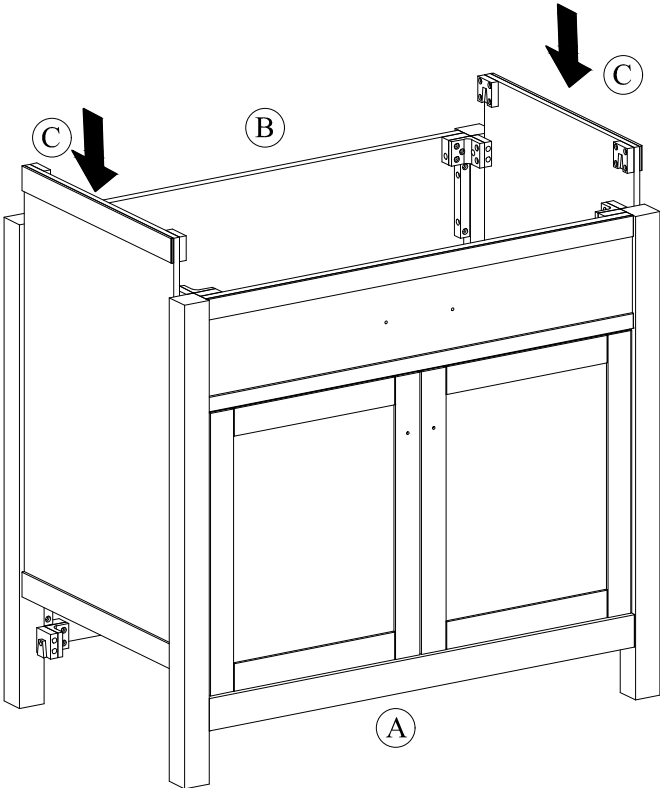
Silicone

ASSEMBLY INSTRUCTIONS

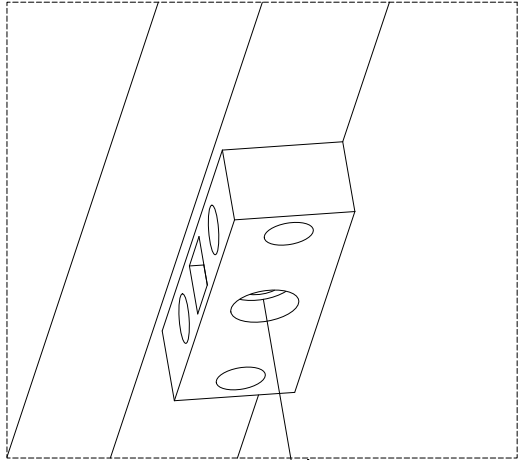
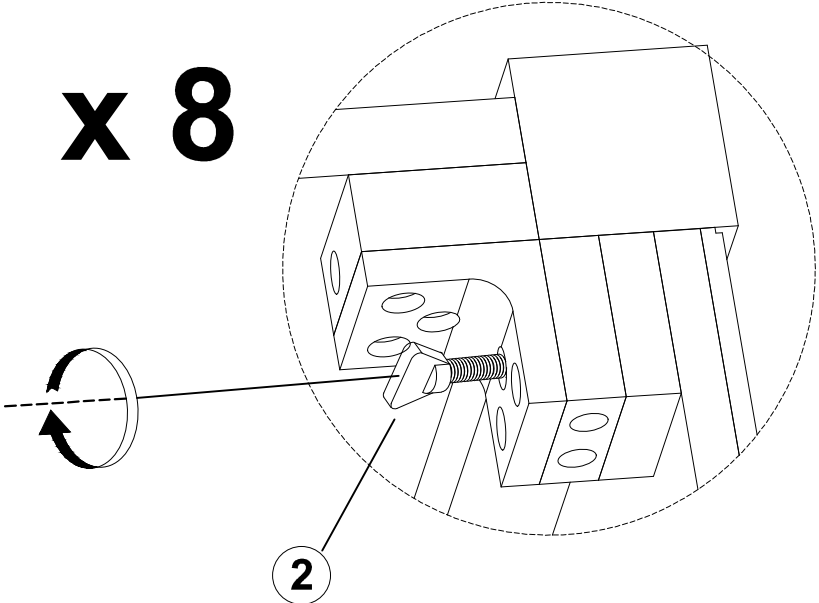
ITEM. : 7516VB37

DESCRIPTION : 36" VANITY BASE

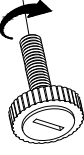
STEP 1



x 8



x 4



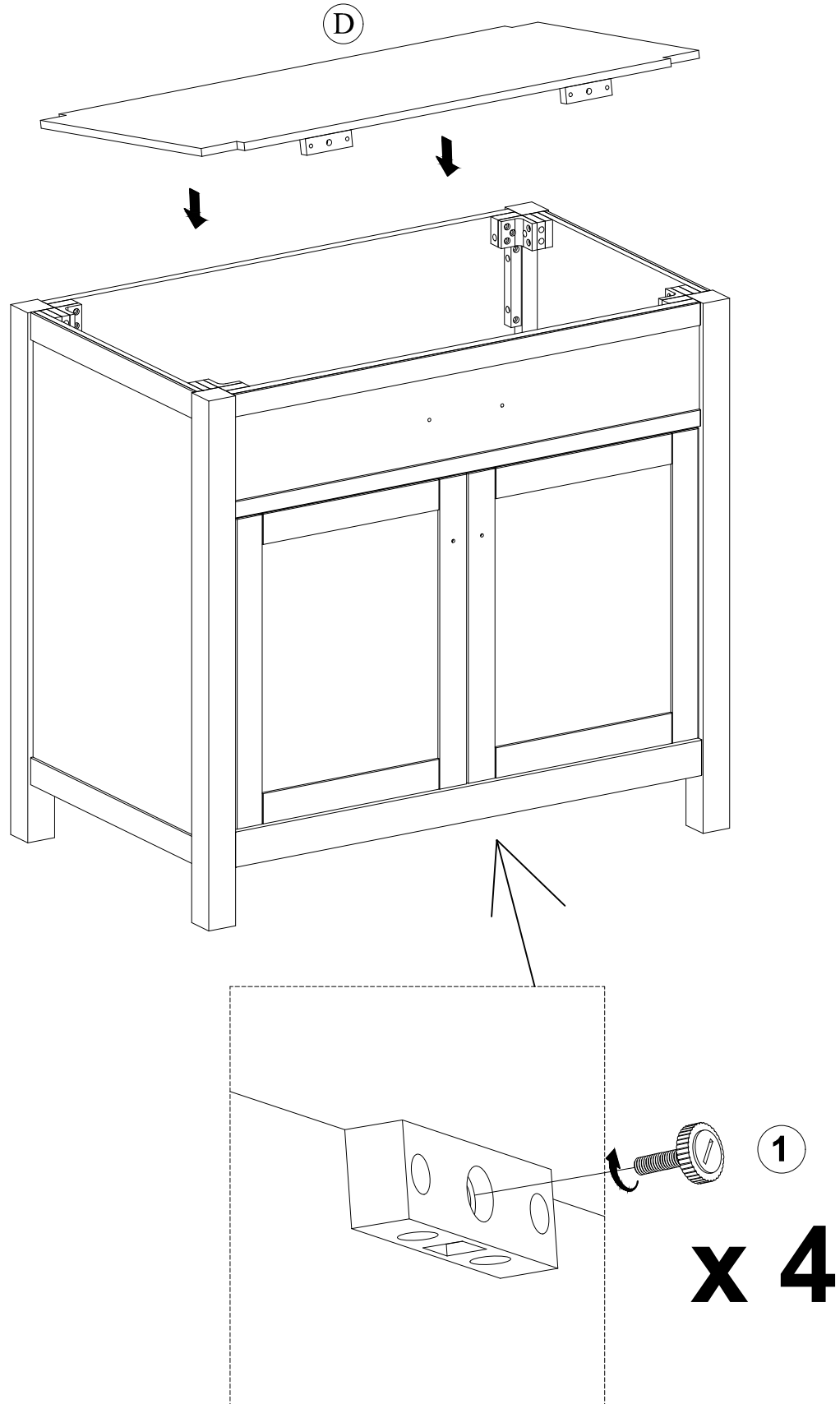
1

ASSEMBLY INSTRUCTIONS

ITEM. : 7516VB37

DESCRIPTION : 36" VANITY BASE

STEP 2

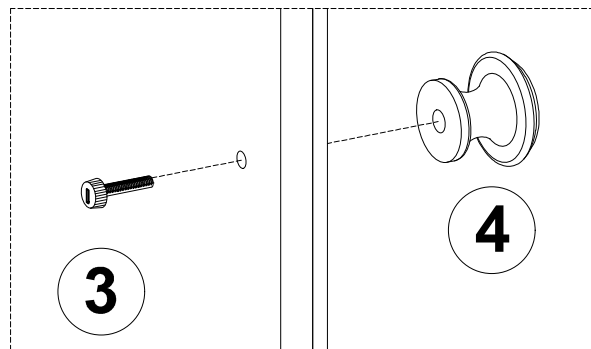
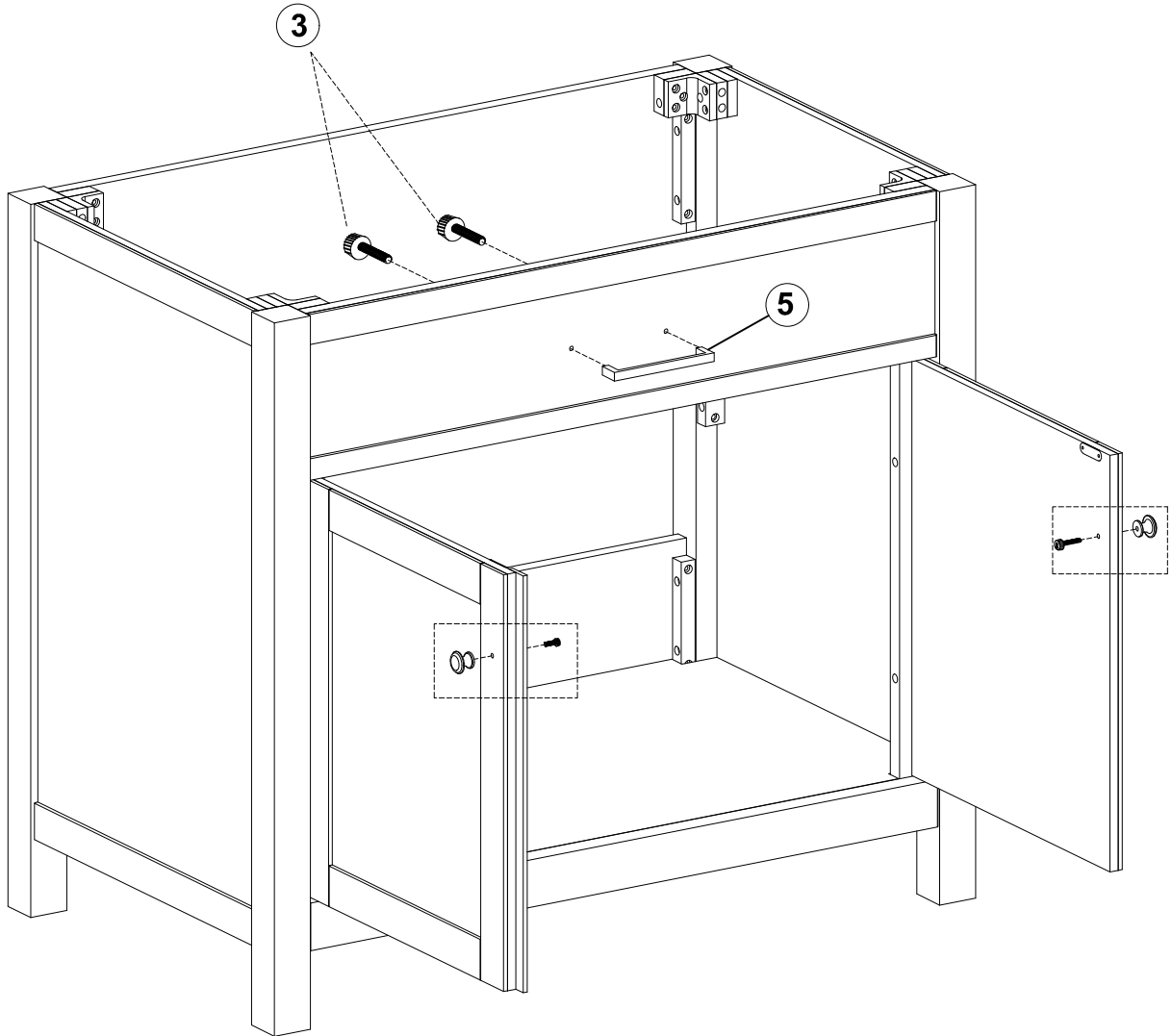


ASSEMBLY INSTRUCTIONS

ITEM. : 7516VB37

DESCRIPTION : 36" VANITY BASE

STEP 3



x 2

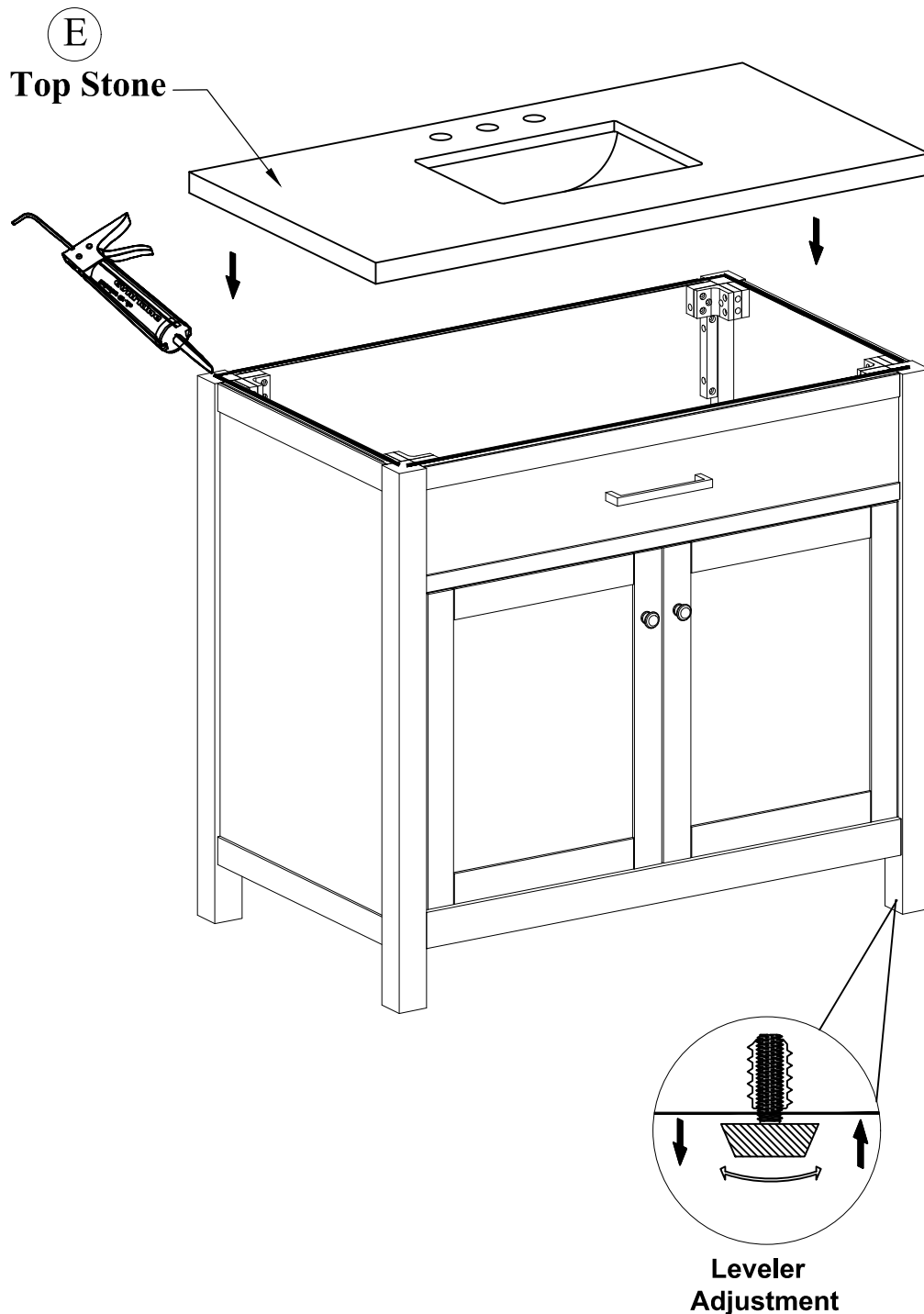
ASSEMBLY INSTRUCTIONS

ITEM. : 7516VB37

DESCRIPTION : 36" VANITY BASE

STEP 4

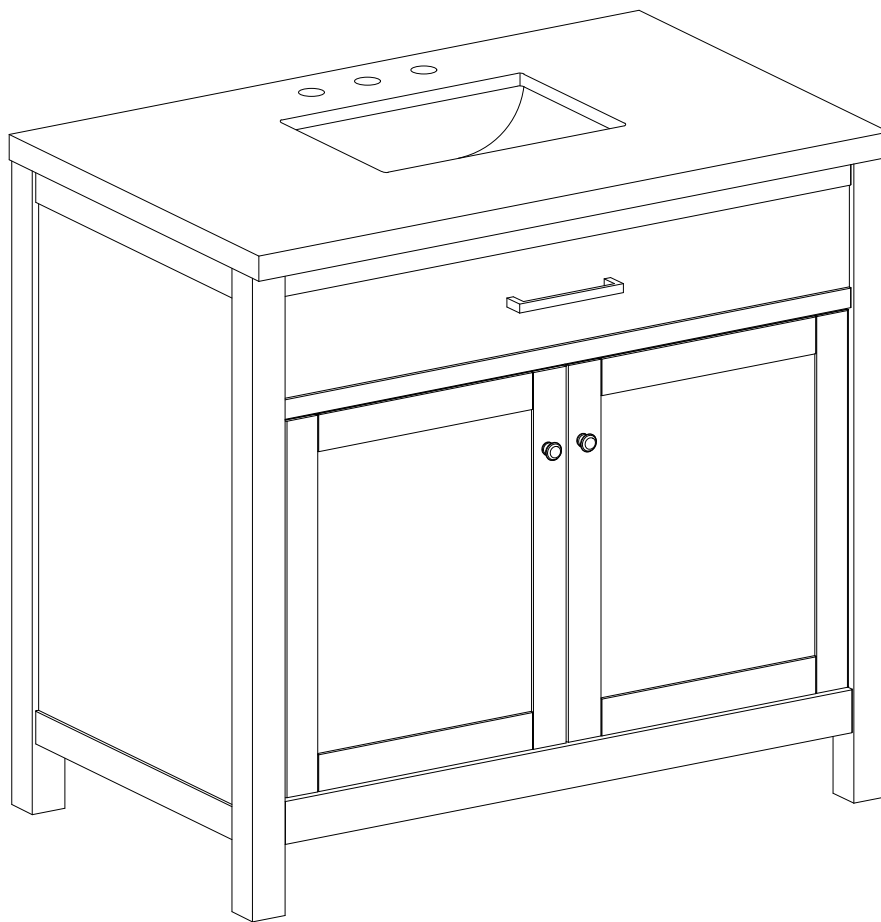
- Set the vanity on top of the vanity base, checking the location of the p-trap and drain.
- Remove the top and install the faucet per manufacturer's installation instructions.
- Hand tighten the pop-up drain with a wrench. Be careful not to over-tighten the pop-up drain, over tightening may cause cracks on the engineered stone top.
- Apply a thin bead of silicone compound around the vanity base and set the vanity top carefully in place. Remove any excess silicone compound with a wet rag.
- Install the faucet water lines and P-trap according to manufacturer's installation instructions



ASSEMBLY INSTRUCTIONS

ITEM. : 7516VB37

DESCRIPTION : 36" VANITY BASE



COMPLETED