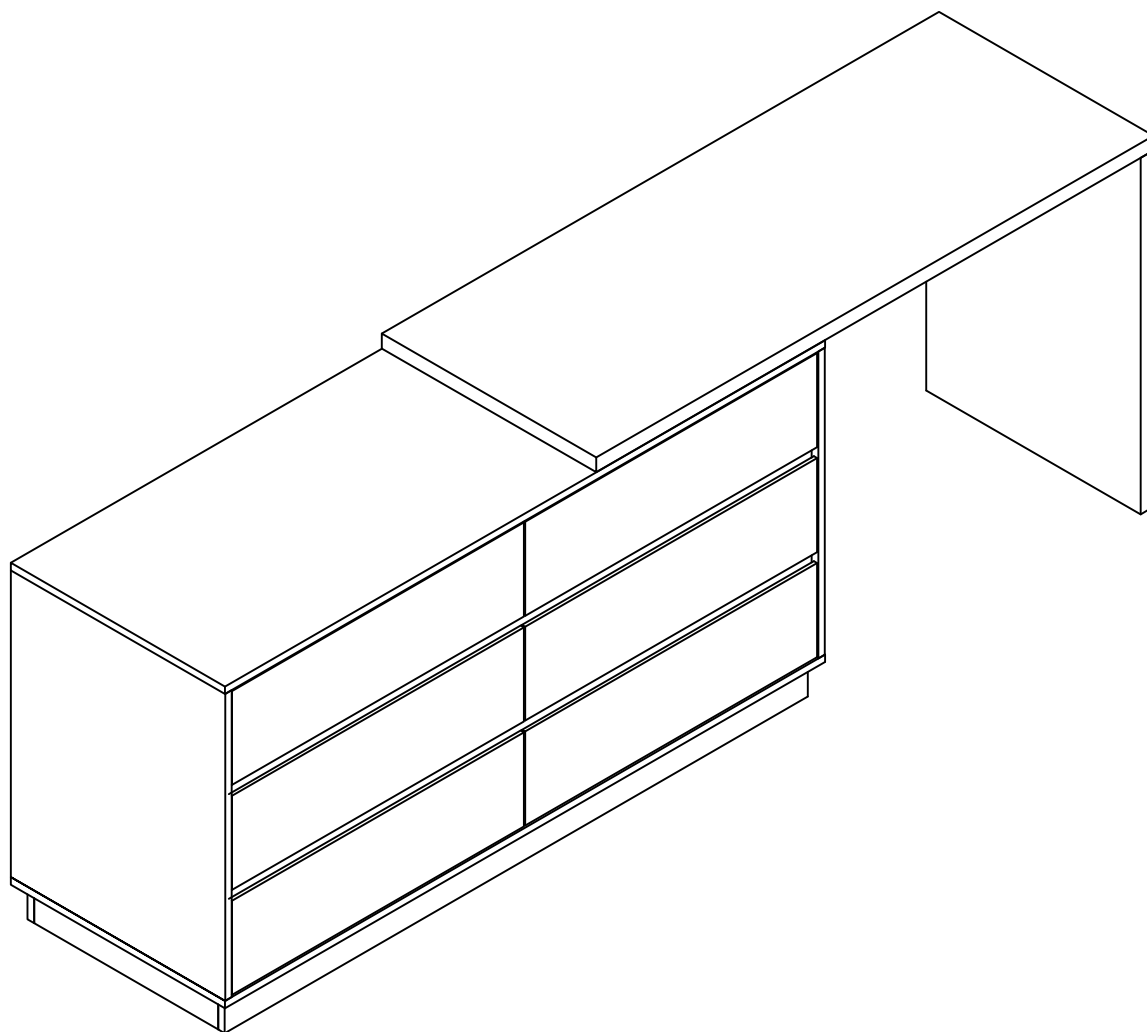


## Installation Instructions

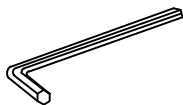
Notes: Don't tighten screws completely at first, just in case parts were assembled wrongly and need disassemble. Tighten screws at last when all parts are put together.



## INSTALLATION MANUAL Tools You Will Need:



Adjustable wrench



Hexagon wrench



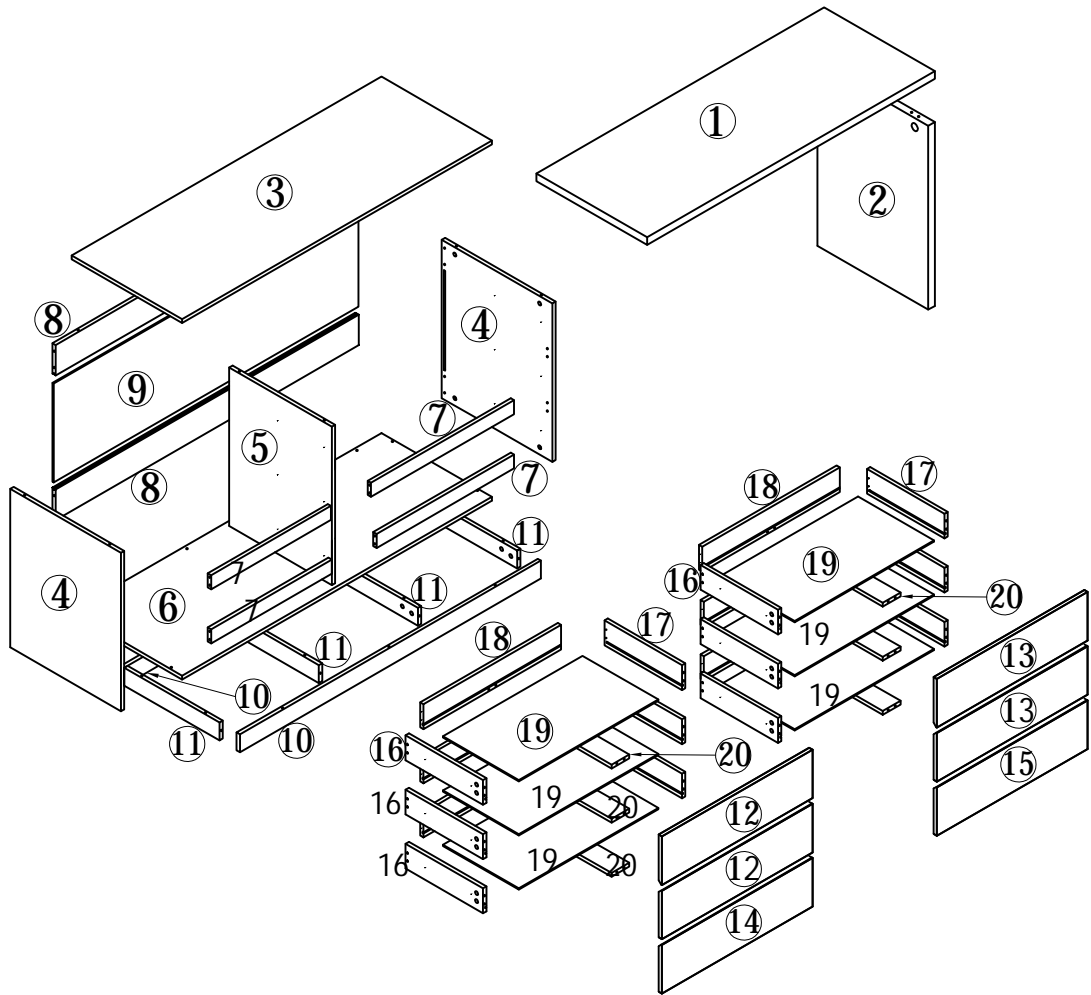
Philips Screwdriver

## Before the Installation

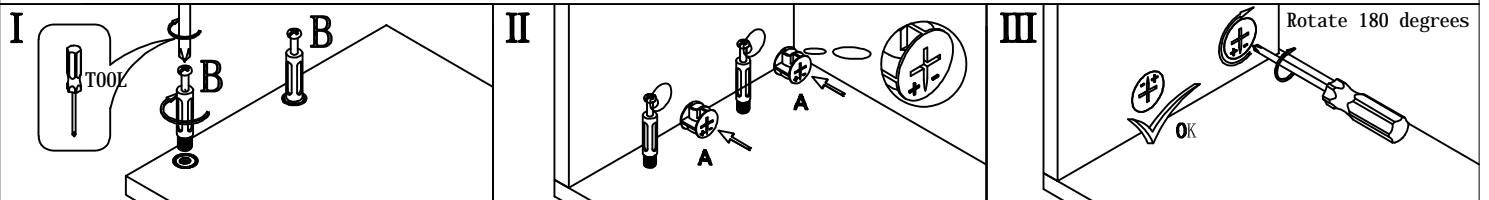
1. Do not throw away packing materials until assembly is complete for small parts may come loose inside the carton during shipment. If parts are missing, please contact us.
2. Assemble this item on a soft surface, such as carpet to protect the finish.
3. Proper assembly of this item requires 2 people.
4. Periodically check to ensure that all connections are tight.
5. It is recommended that installation of the product be done by a qualified licensed plumber.

## Care and Cleaning

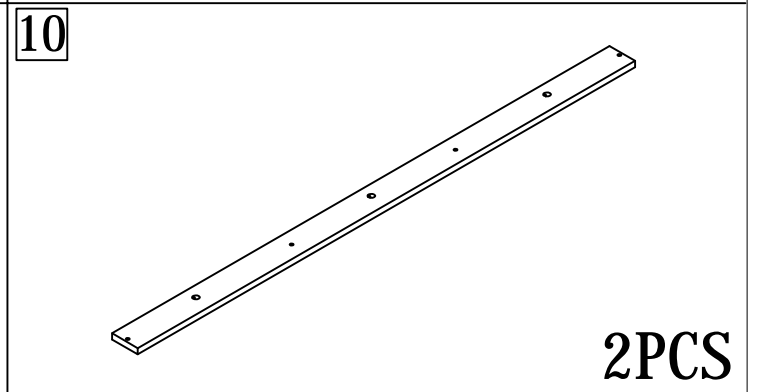
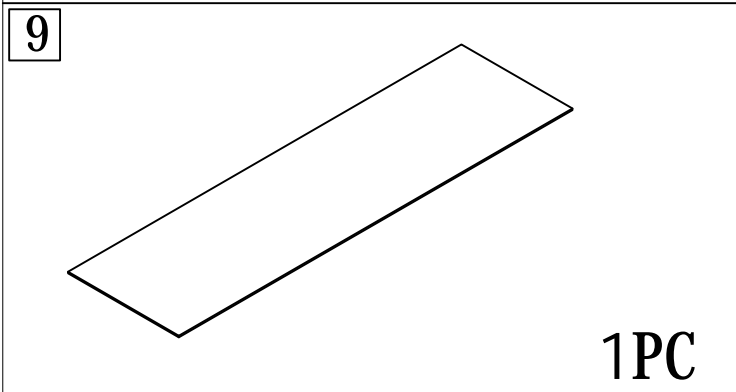
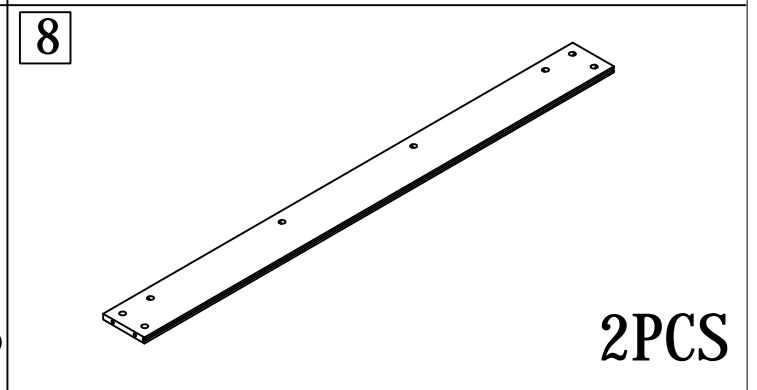
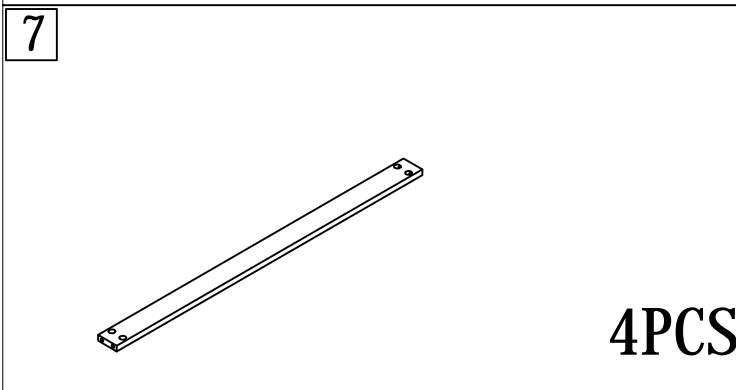
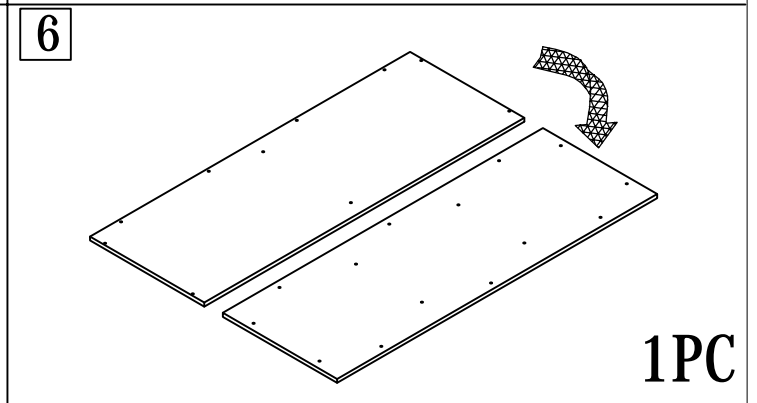
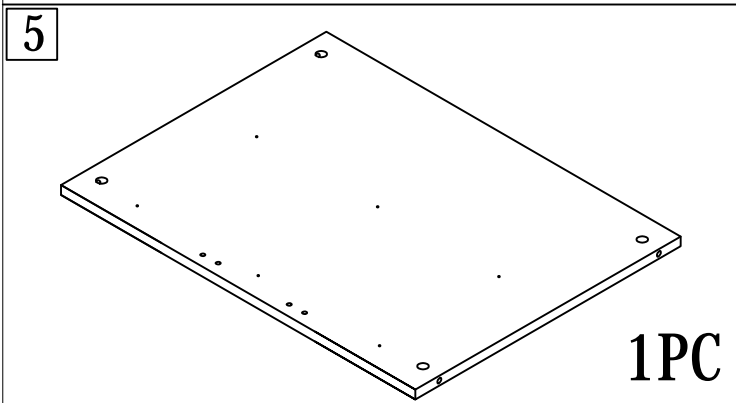
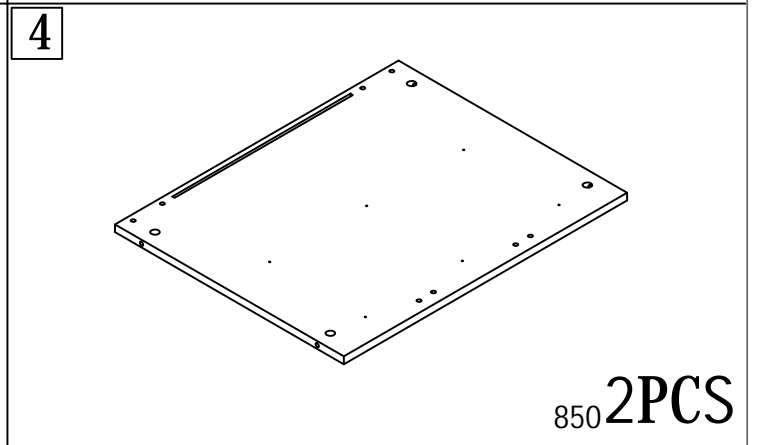
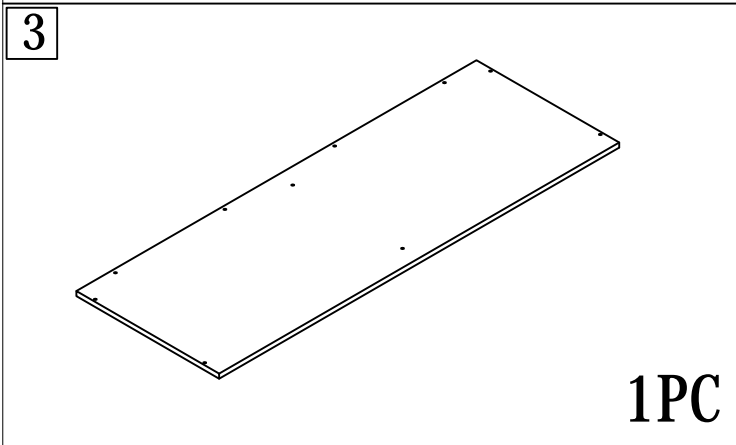
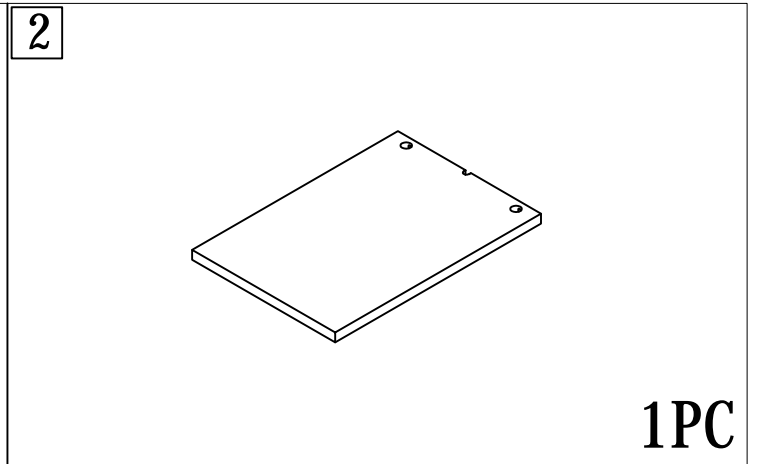
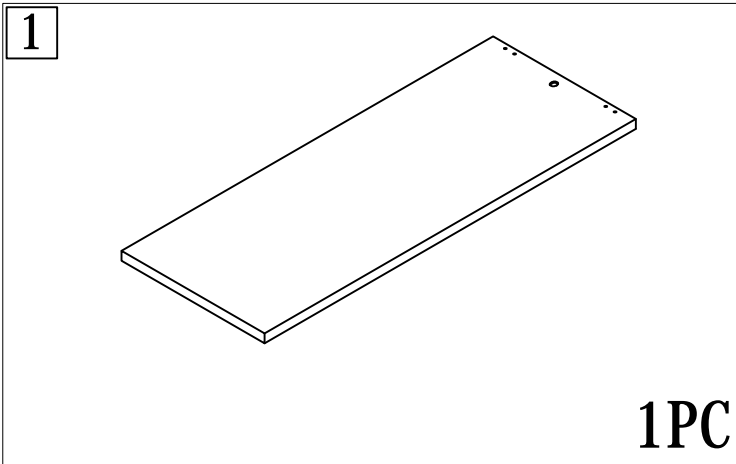
1. To protect the finish, avoid use chemicals and household cleaners.
2. All hot serving dishes should be placed on a pad.
3. Any liquid spilled onto the top should be up immediately with a damp cloth.



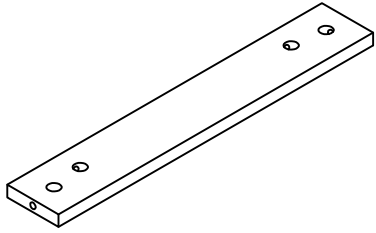
Disassembly and installation of accessories



A   114PCS	B   114PCS	C   48PCS	D   12PCS	E   6PCS	F   2 PCS
φ15*10mm	φ6*28mm	φ3.5*14mm	12"	φ4*16mm	
G   10PCS	H   2PCS	I   24PCS	J   2PCS	K   2PCS	L   2PCS
φ12*16mm	φ8*30mm	φ3.5*35mm	φ8*60mm		φ8
M   1PC	N   2PCS				
M8	φ38				

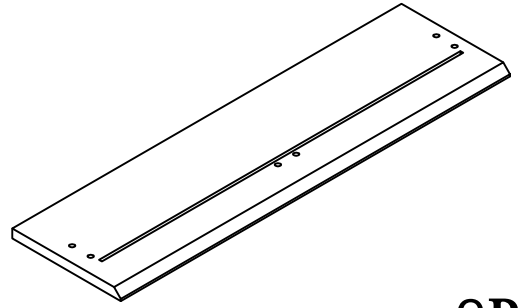


11



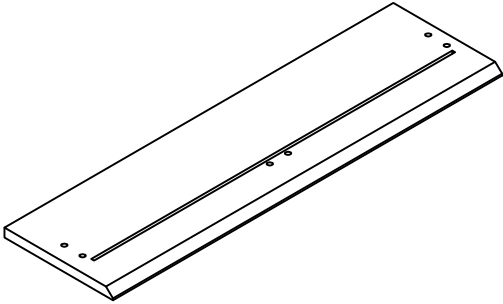
4PCS

12



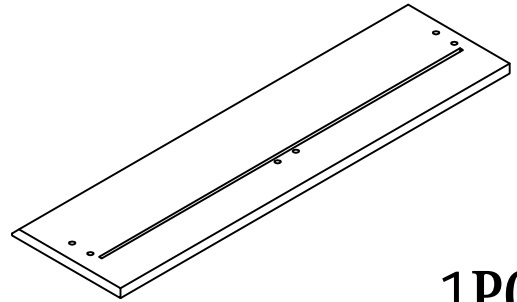
2PCS

13



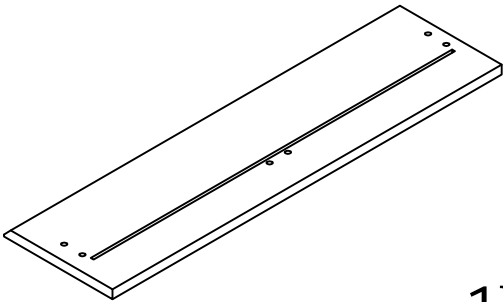
2PCS

14



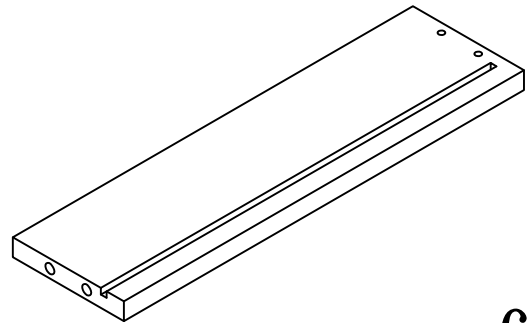
1PC

15



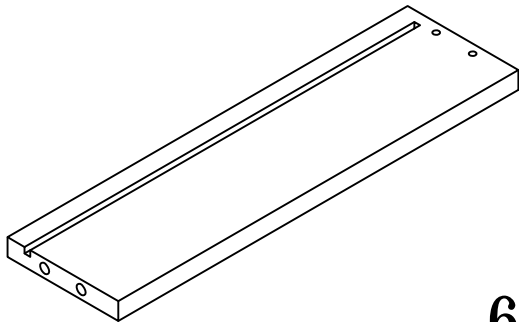
1PC

16



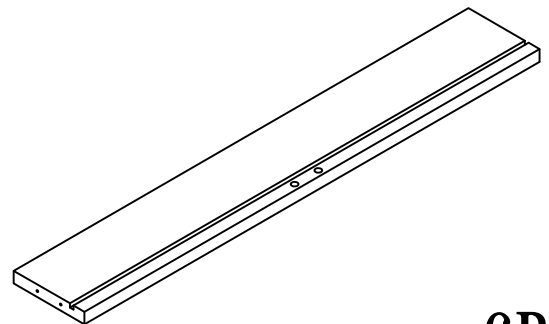
6PCS

17



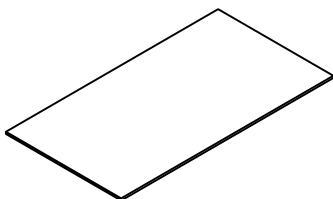
6PCS

18



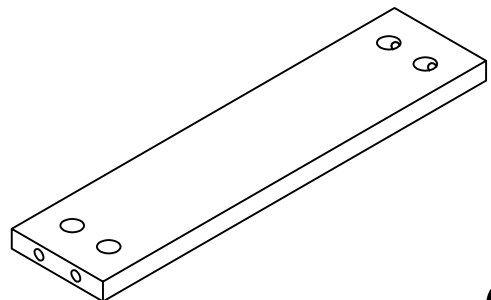
6PCS

19



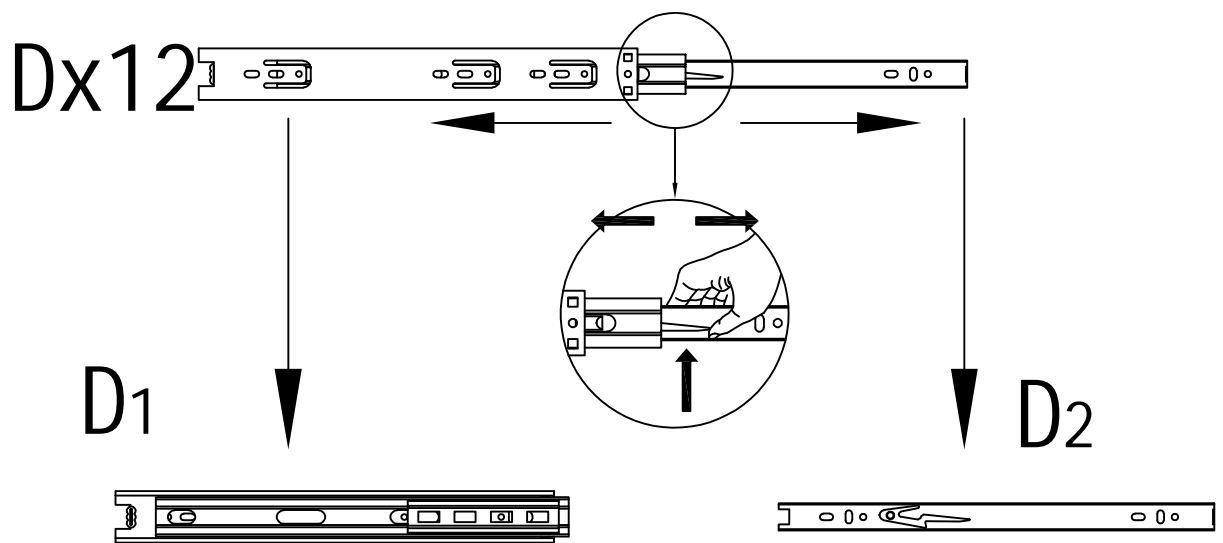
6PCS

20



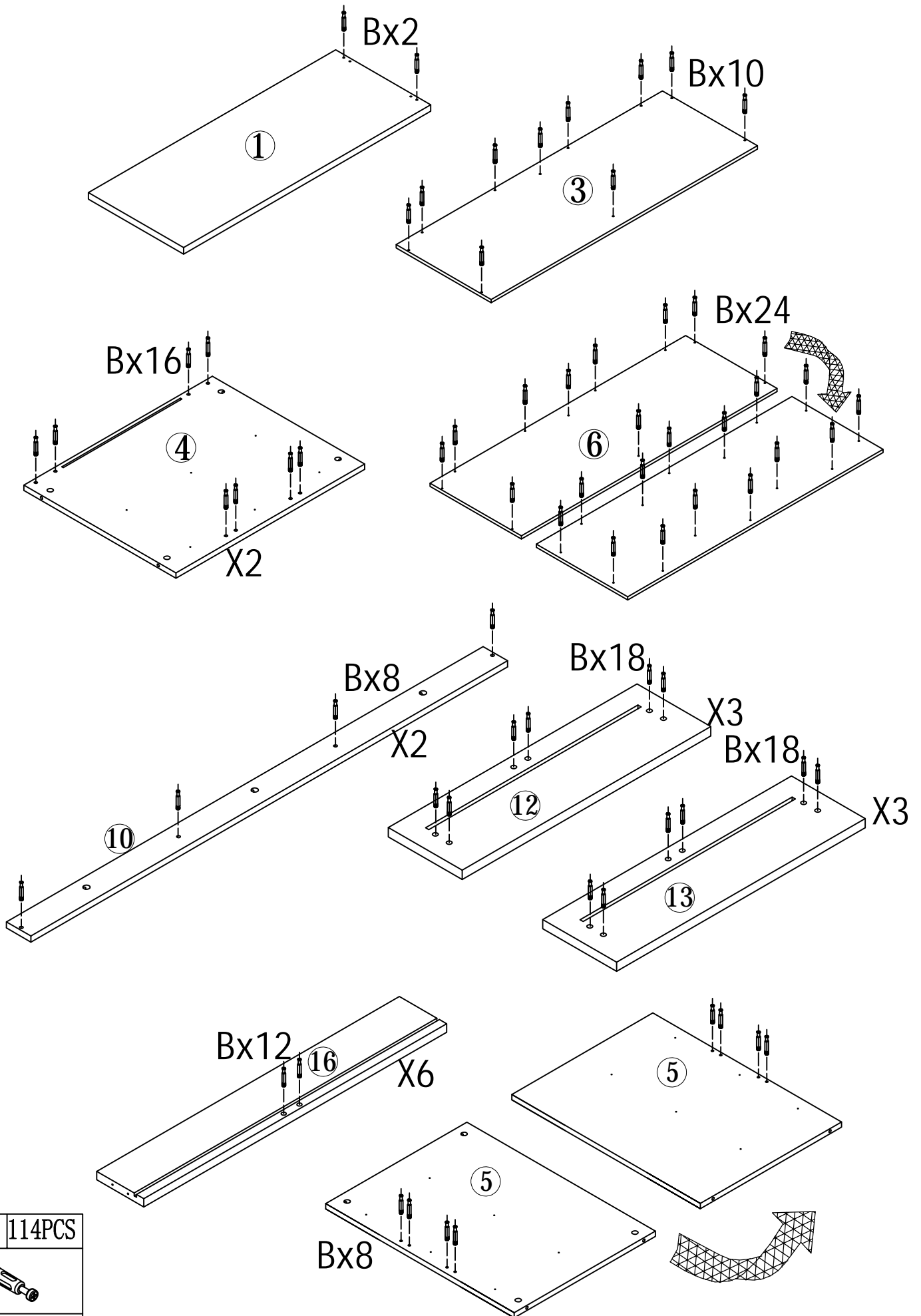
6PCS


1



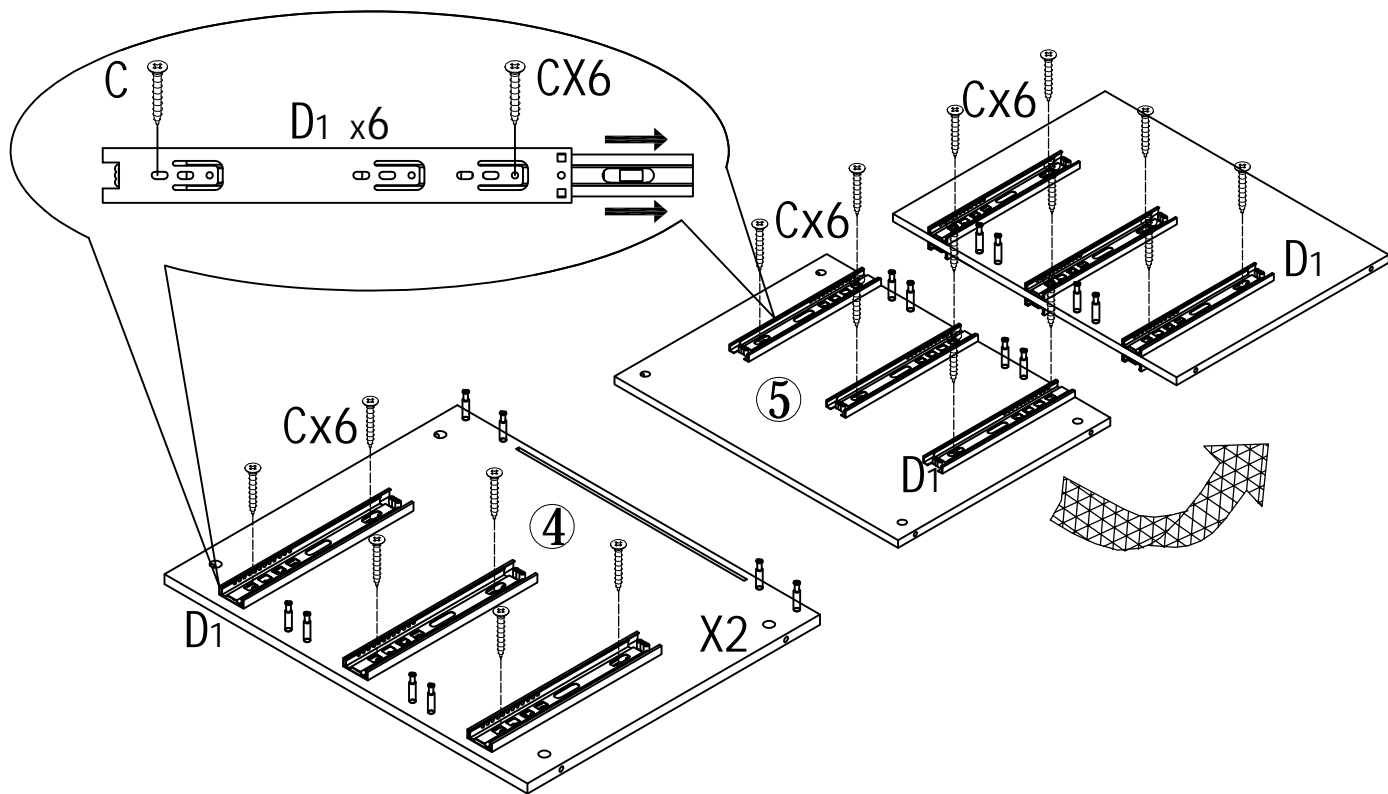
D	12PCS
12"	



2



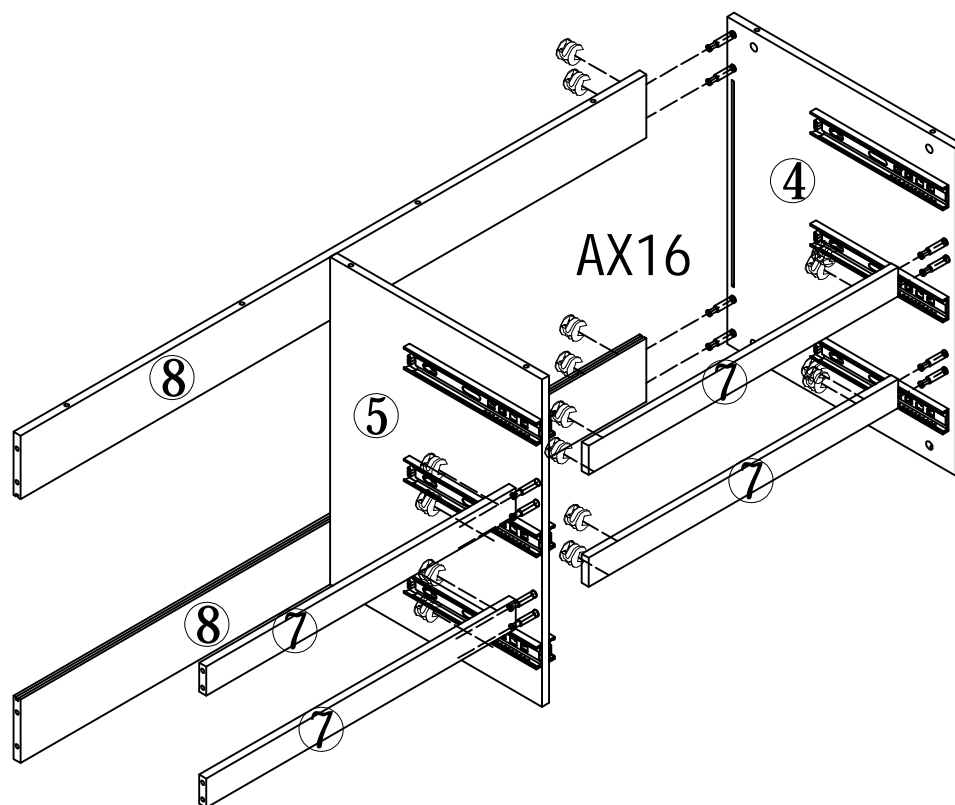
B	114PCS
	
$\phi 6 * 28\text{mm}$	


3



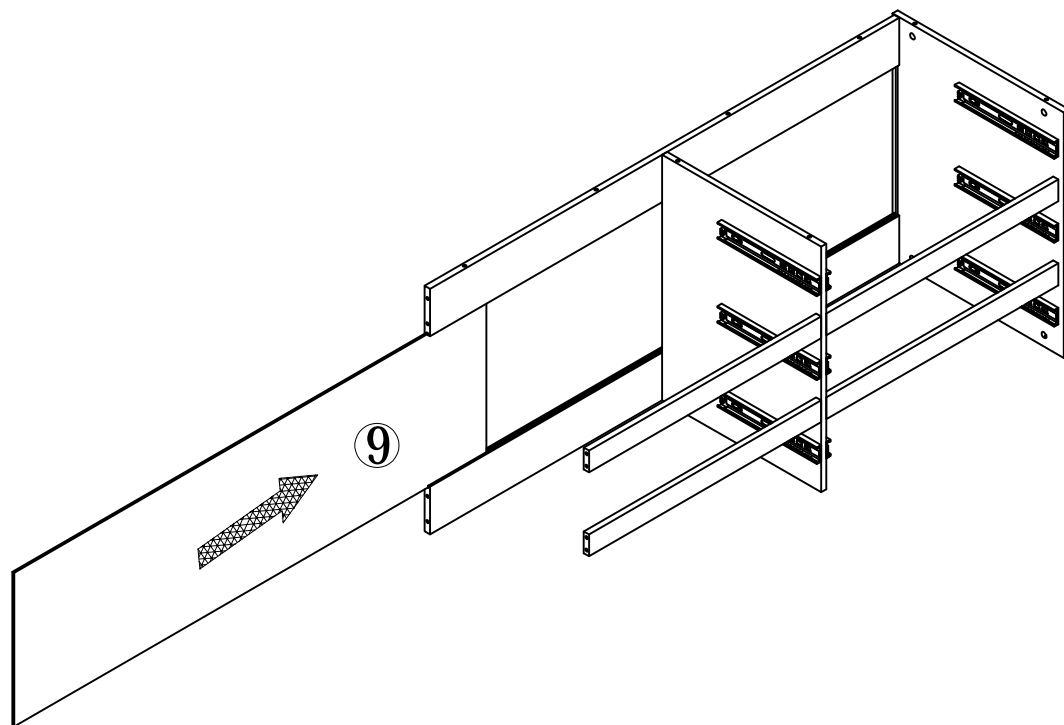
C	24PCS	D1	12PCS
			
$\phi 3.5 \times 14 \text{mm}$		12"	


4



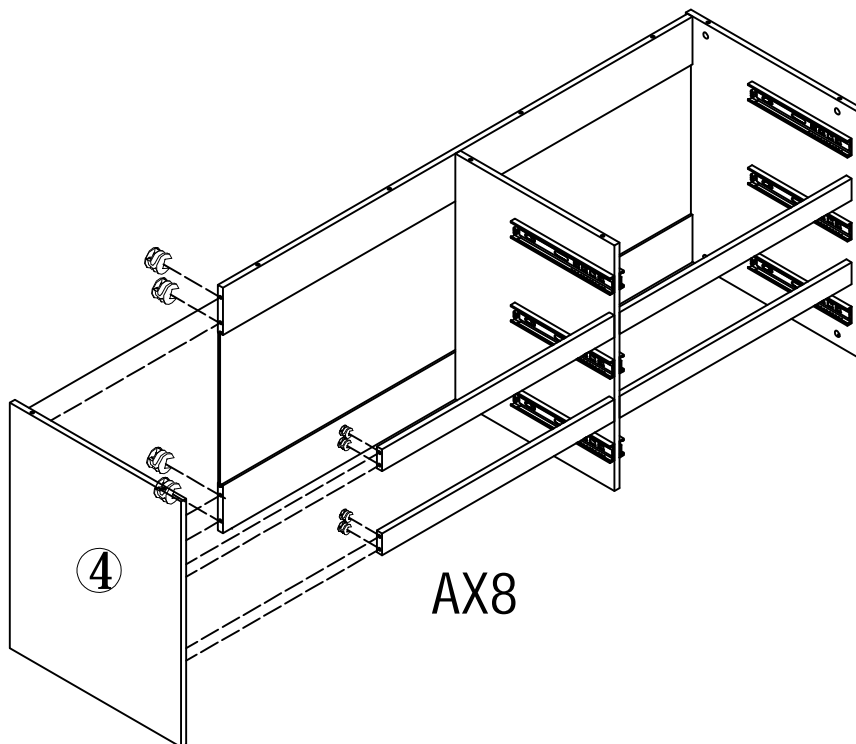
A	16PCS
	
$\phi 15 \times 10 \text{mm}$	


5



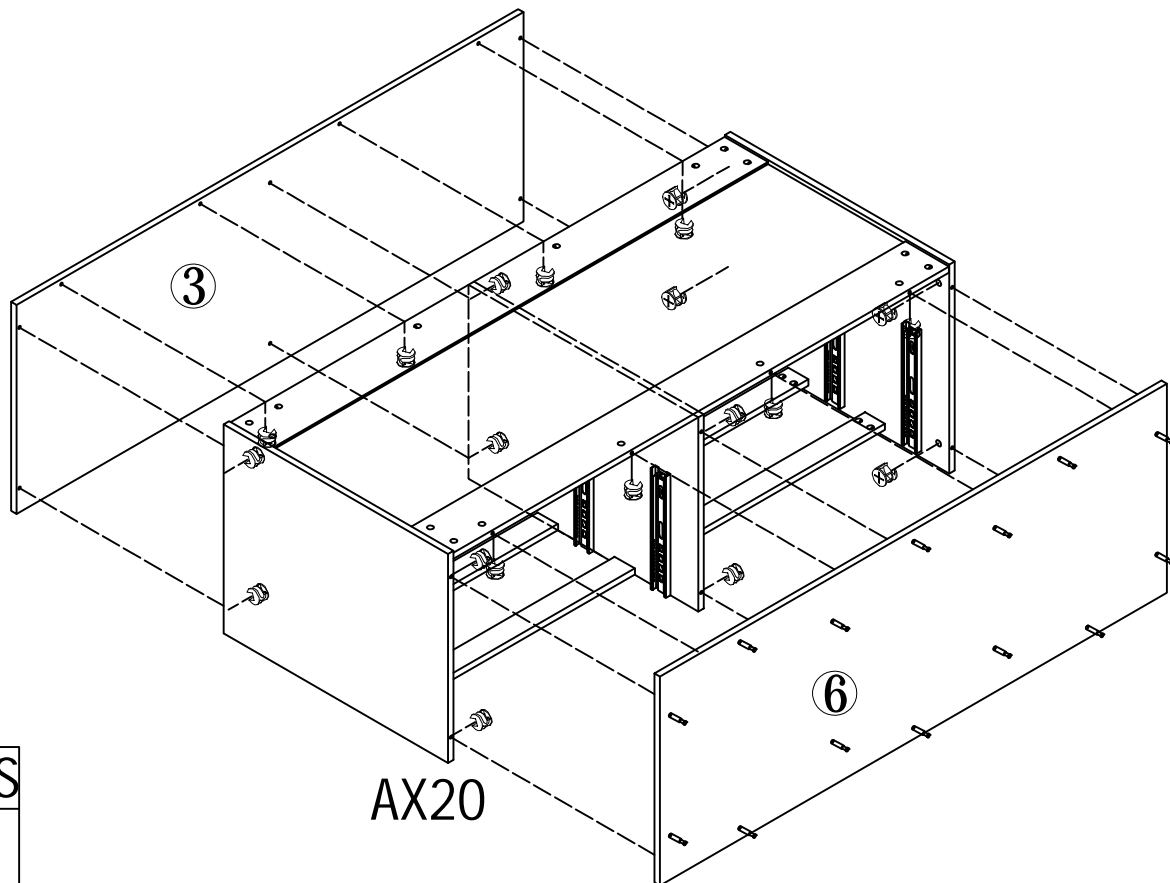
A	16PCS
	
ø15*10mm	


6



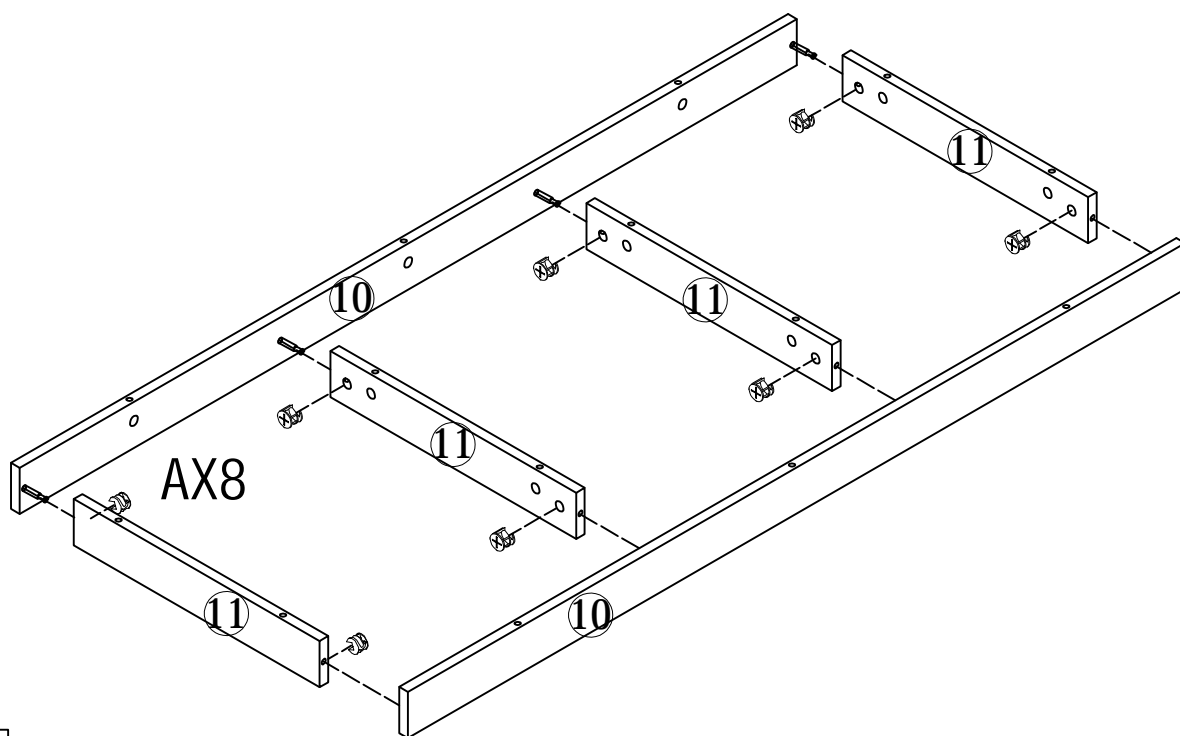
A	8PCS
	
ø15*10mm	


7



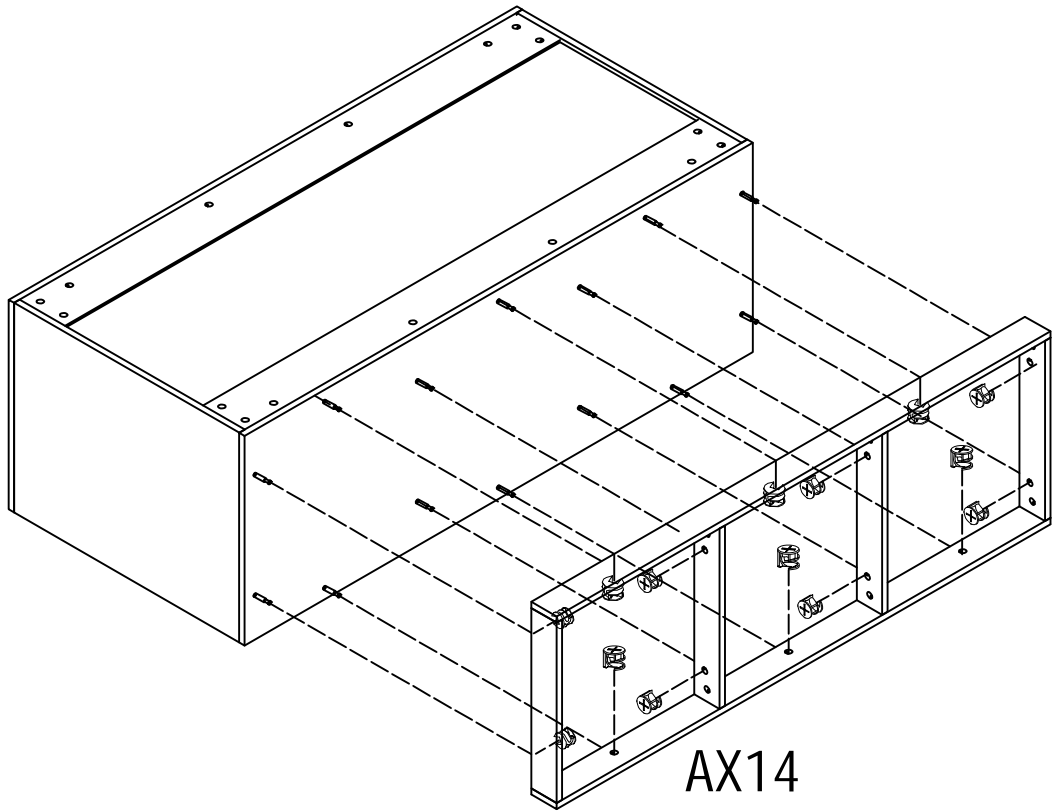
A	20PCS
	
ø15*10mm	

8



A	8PCS
	
ø15*10mm	

9



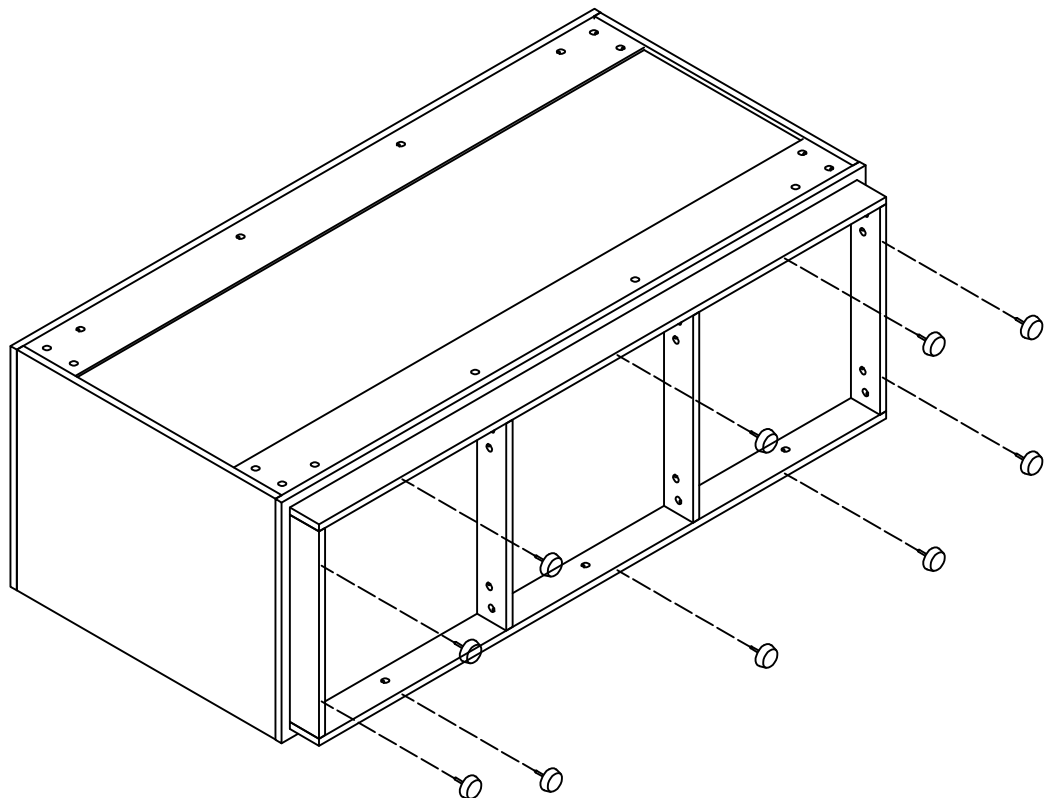
A 14PCS



φ15\*10mm

AX14

10



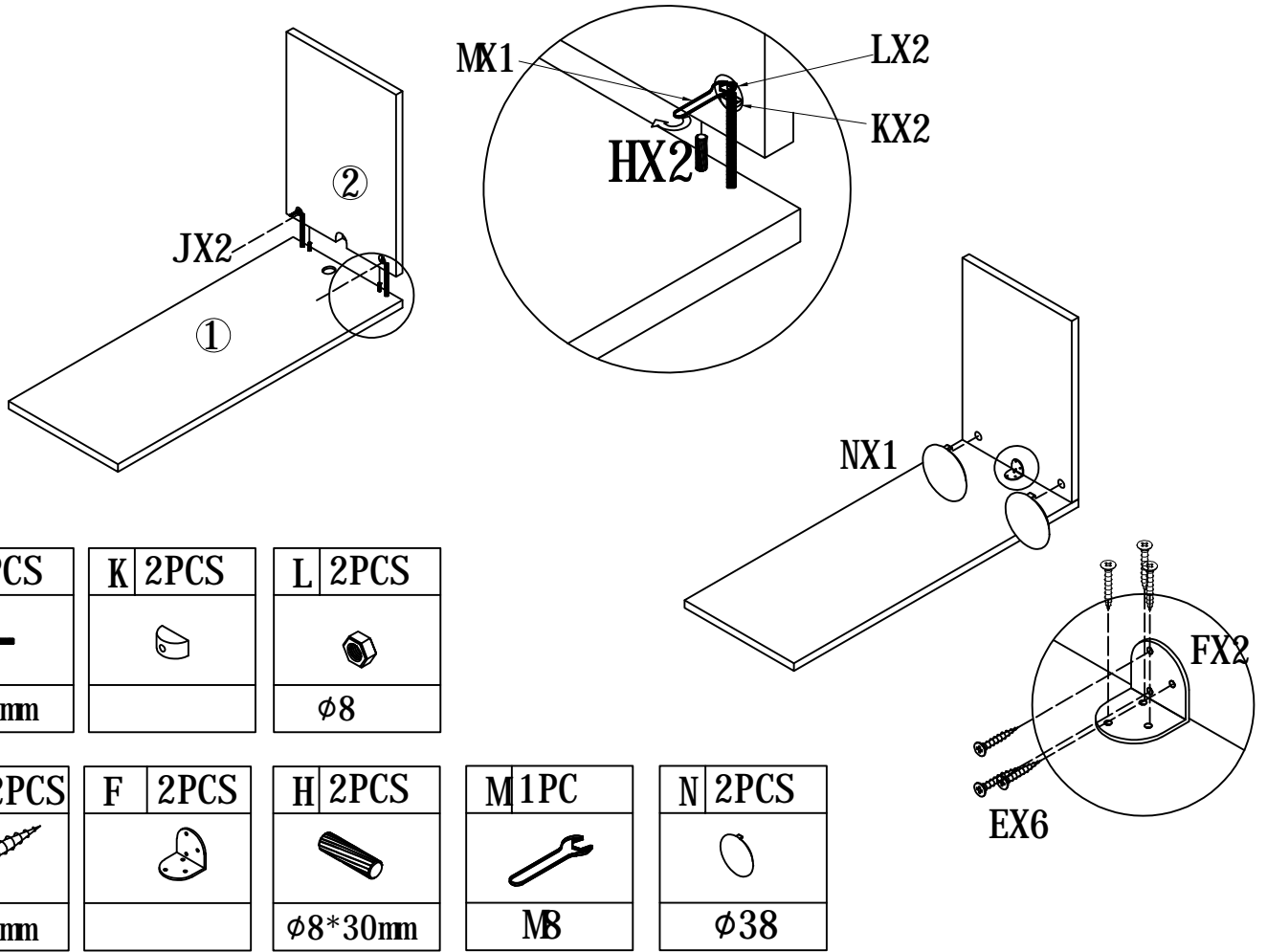
G 10PCS



φ12\*16mm

GX10

11



J	2PCS
φ8*60mm	

K	2PCS

L	2PCS
φ8	

E	12PCS
φ4*16mm	

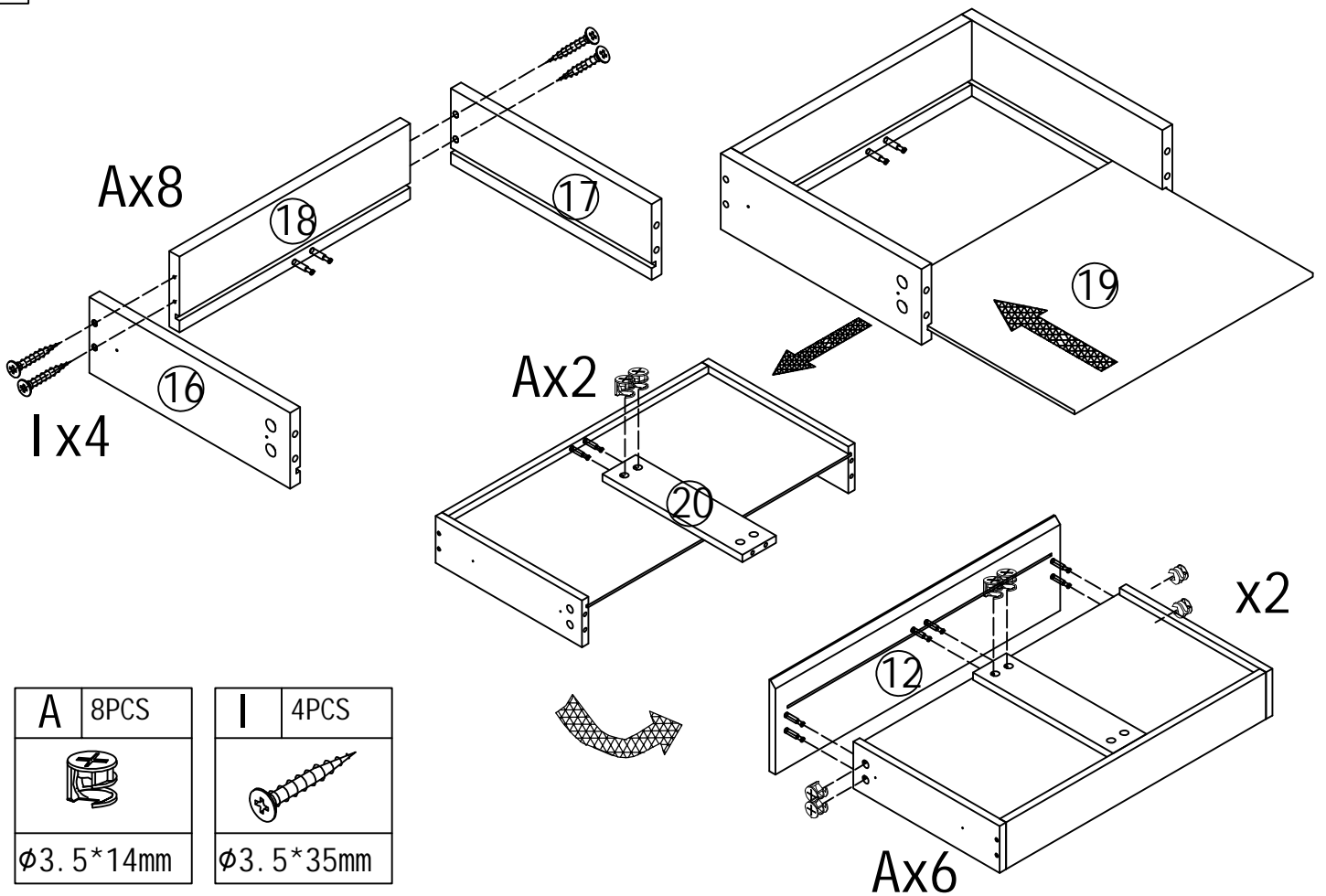
F	2PCS

H	2PCS
φ8*30mm	

M	1PC
MB	

N	2PCS
φ38	

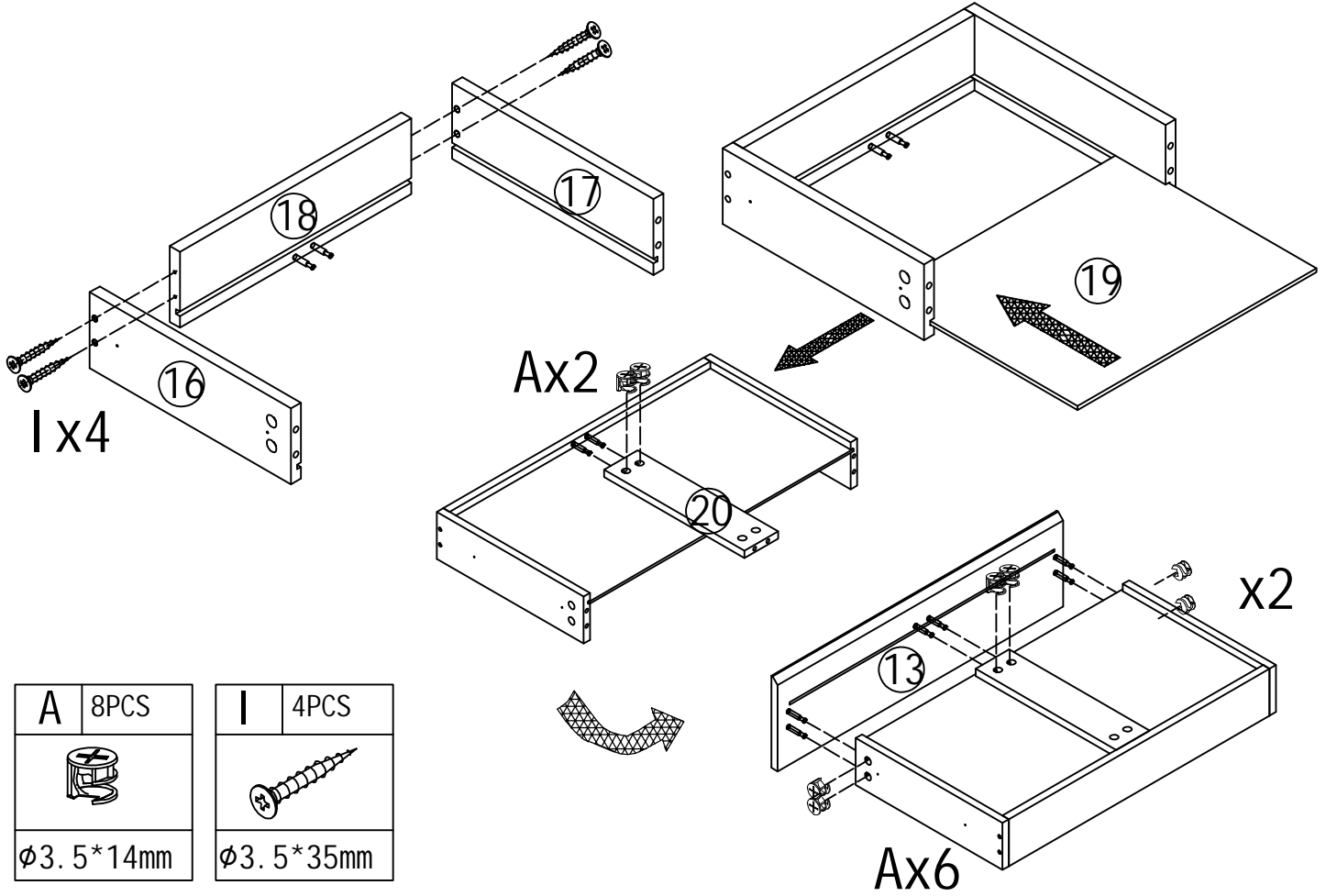
12



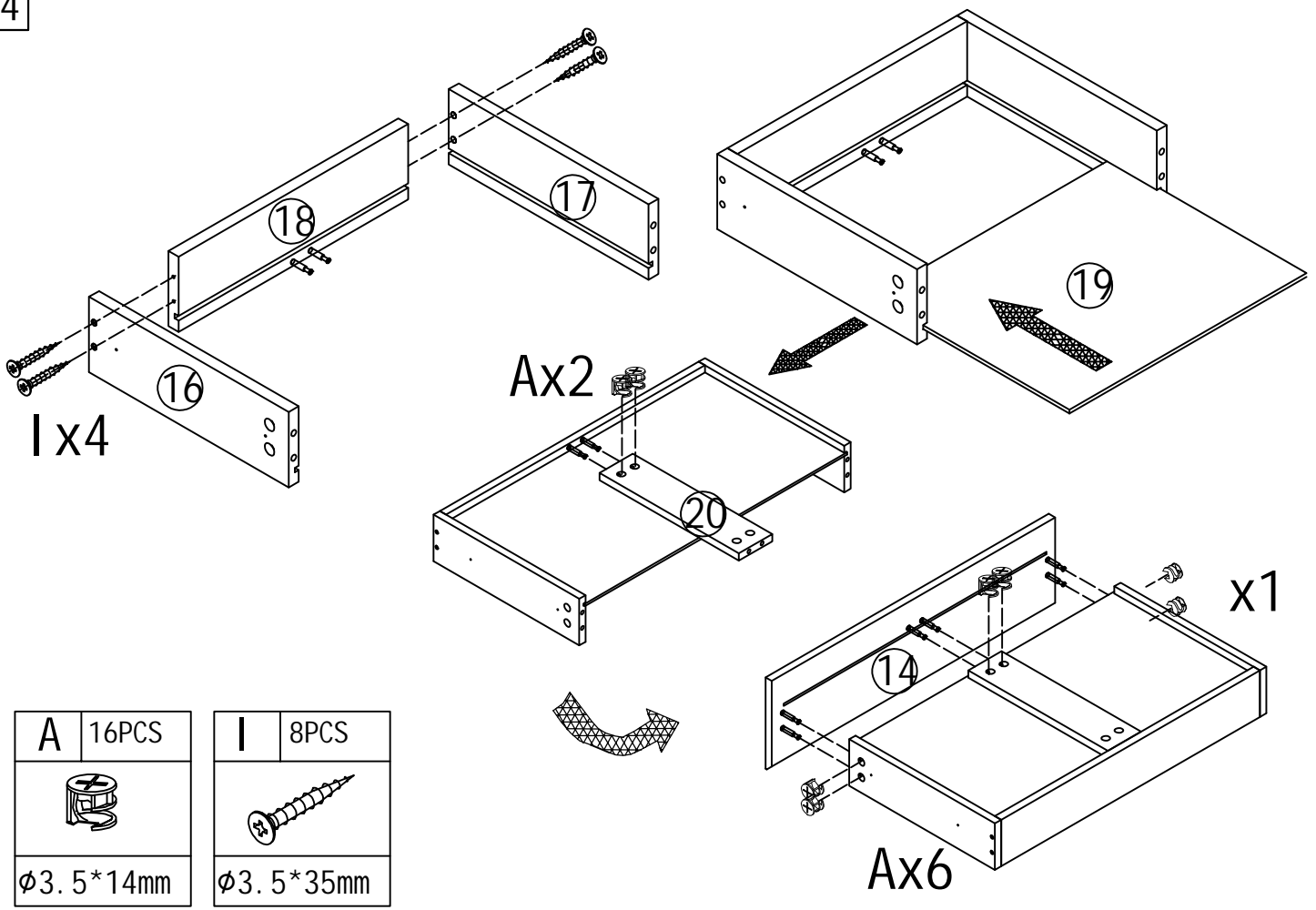
A	8PCS
φ3.5*14mm	

I	4PCS
φ3.5*35mm	

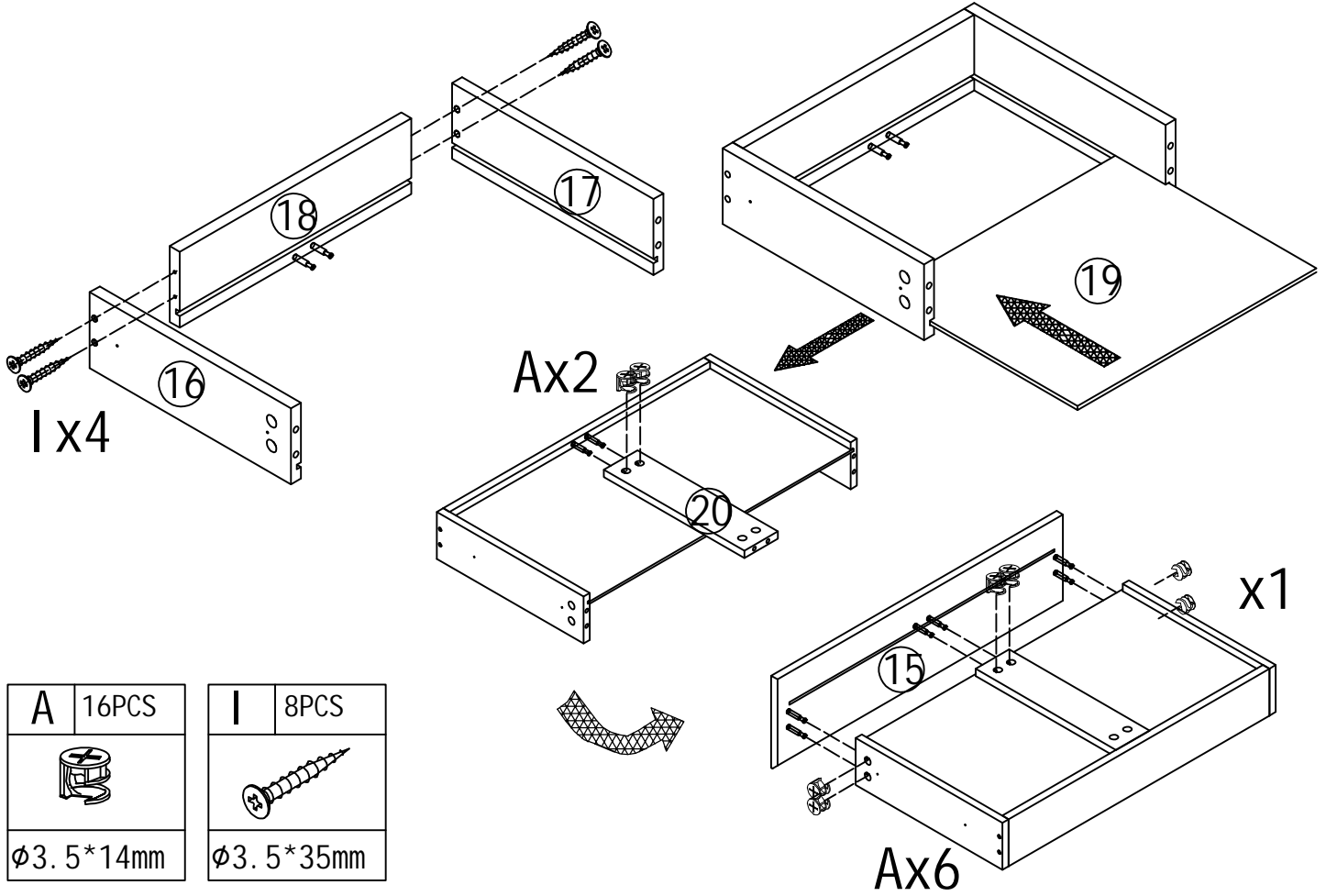
13



14



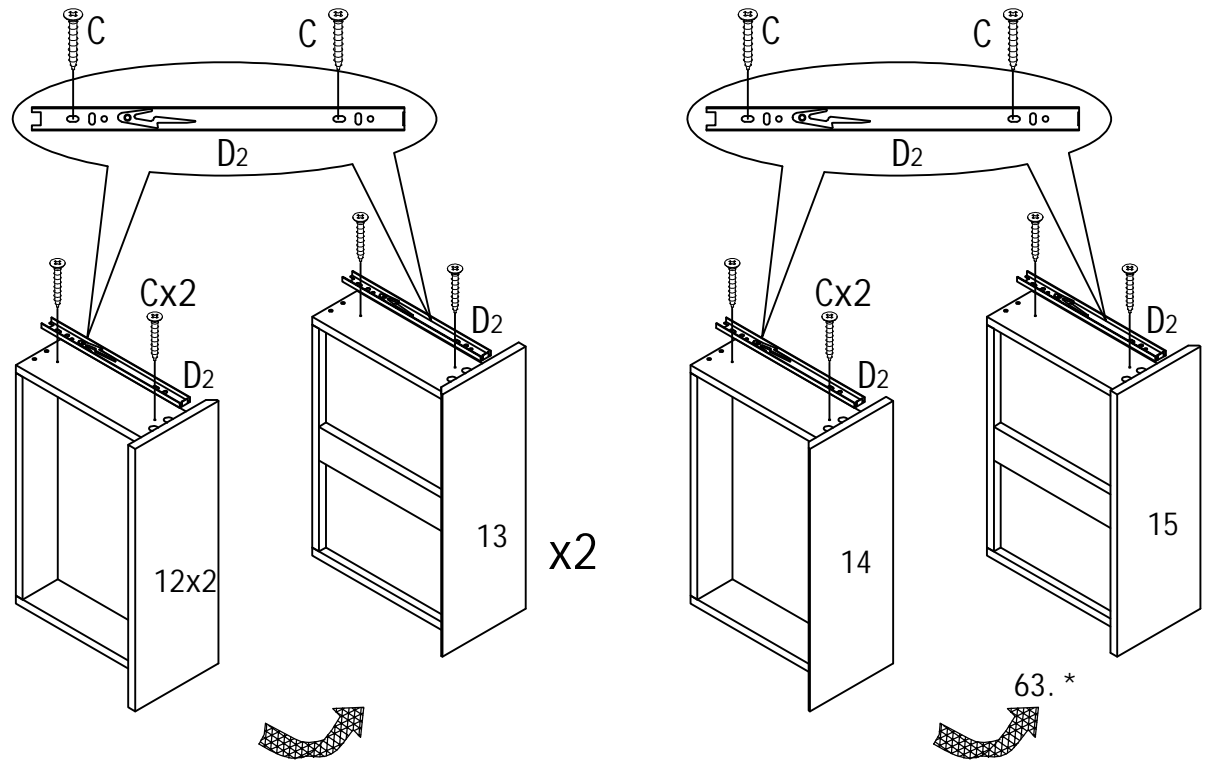
15



A	16PCS
ø3.5*14mm	

I	8PCS
ø3.5*35mm	

16

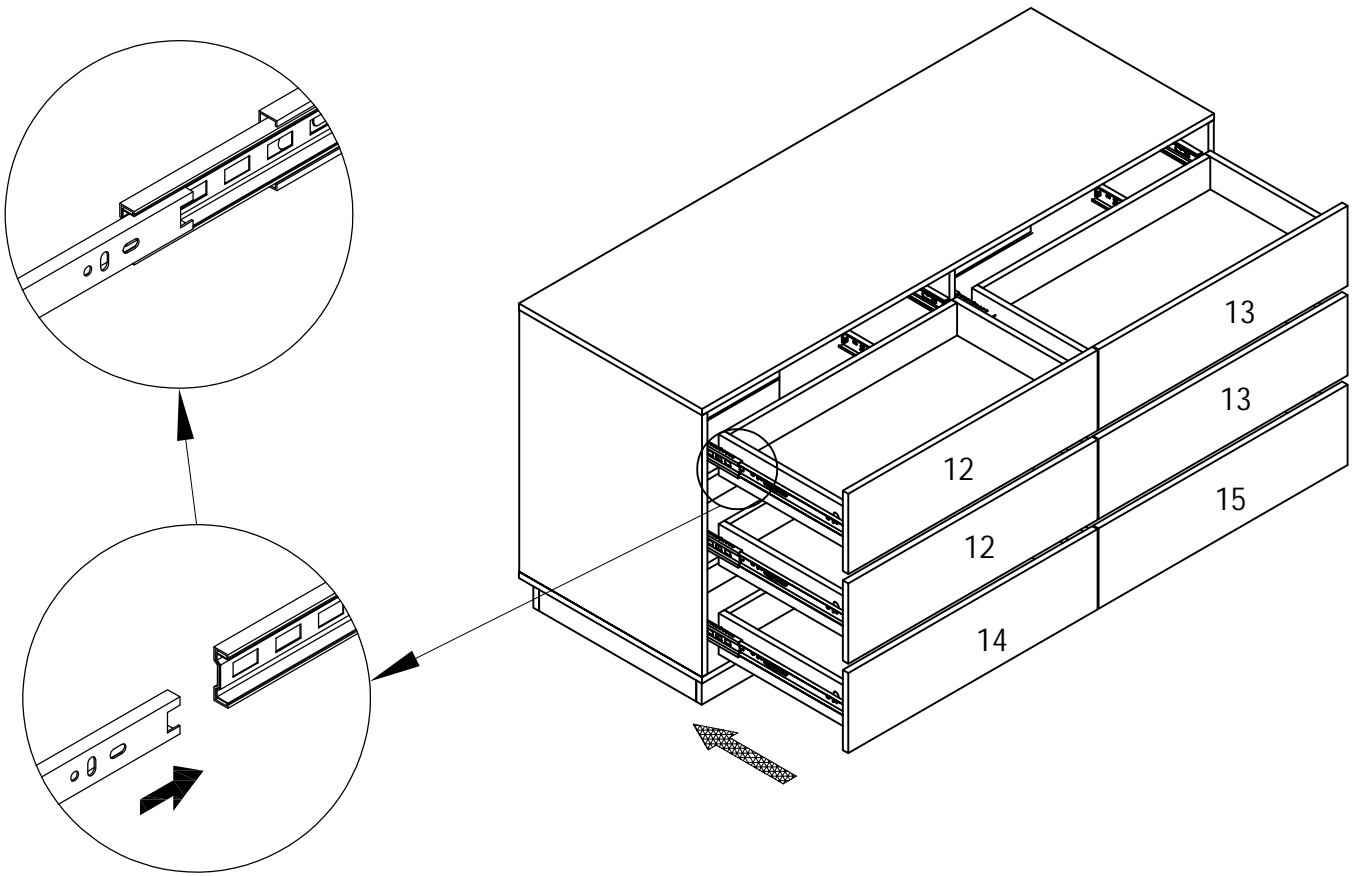


C	24PCS
ø3.5*14mm	

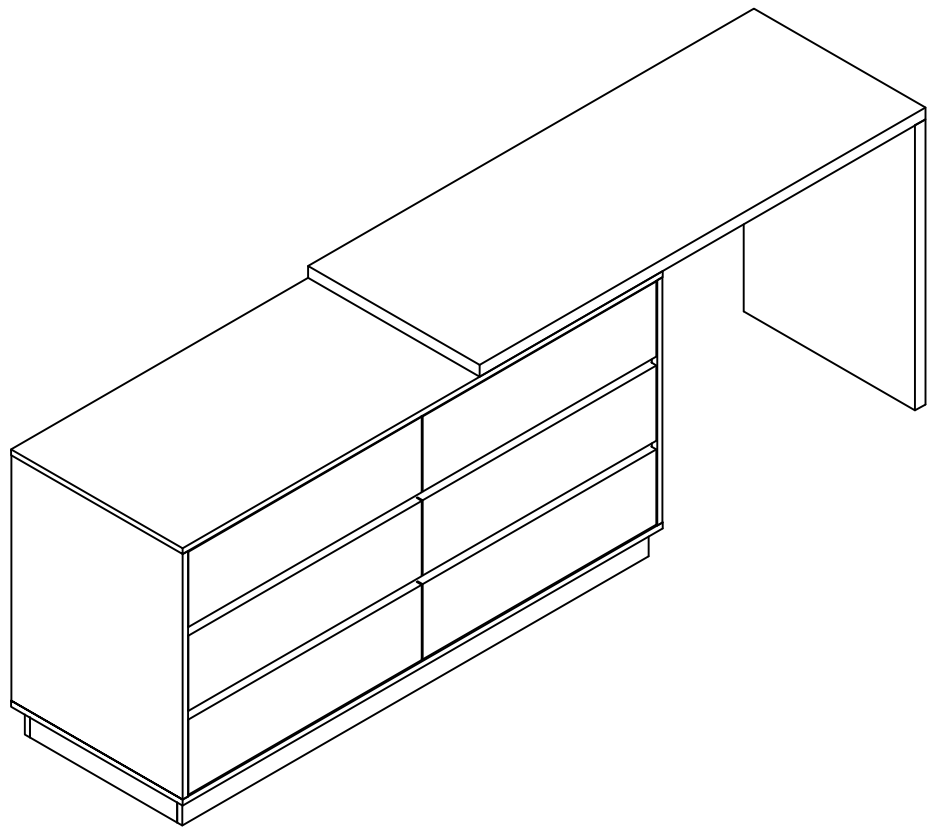
D2	12PCS
12"	

63.\*

17



18



OK