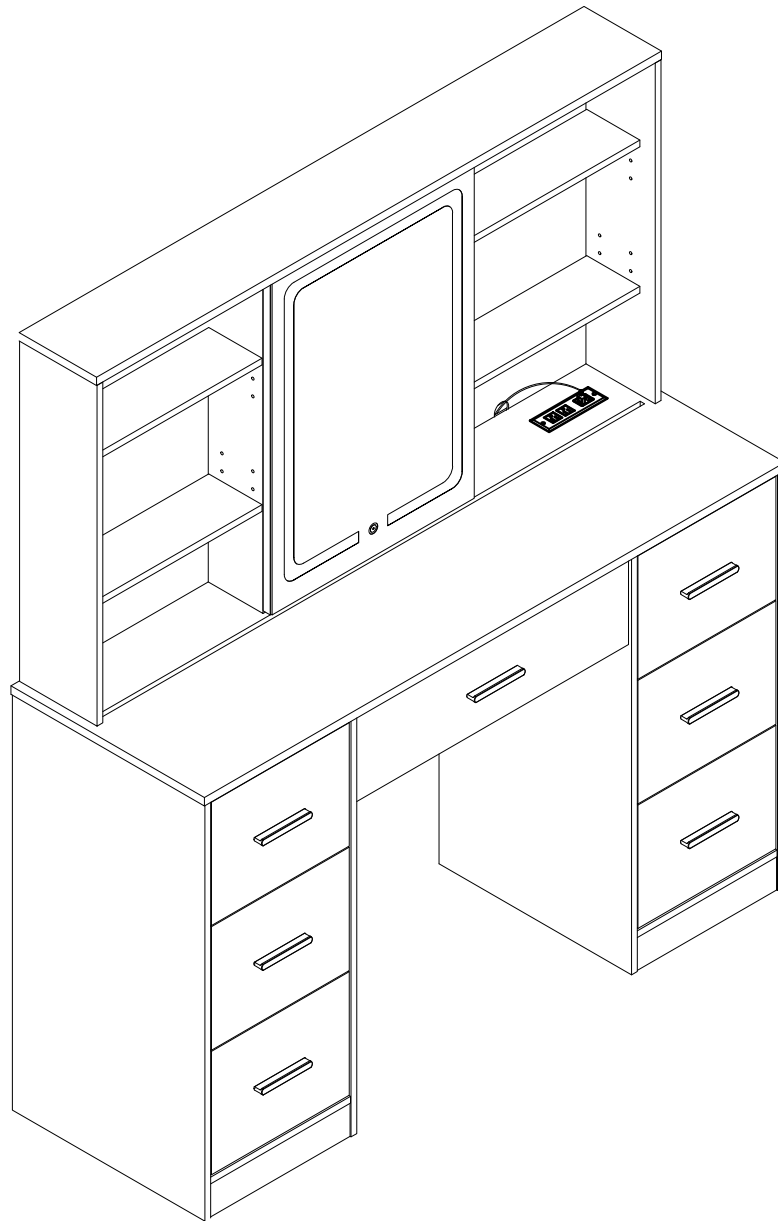


Vanity Table

Assembly Instructions

I870001076A1 / I870001076A2



Dimensions

Width - 120CM

Depth - 40CM

Height - 139CM

Important – Please read these instructions fully before starting assembly



Safety and Care Advice

Important – Please read these instructions fully before starting assembly

- Check you have all the components and tools listed on the following pages.
- Remove all fittings from the plastic bags and separate them into their groups.
- Keep children and animals away from the work area, small parts could choke if swallowed.
- Make sure you have enough space to layout the parts before starting.

- During assembly do not stand or put weight on the product, this could cause damage.
- Assemble the item as close to its final position (in the same room) as possible.
- Assemble on a soft level surface to avoid damaging the unit or your floor.
- Parts of the assembly will be easier with 2 people.



- To reduce the likelihood of damaging your product please ensure that your power drill is set on a low torque setting.

Care and maintenance

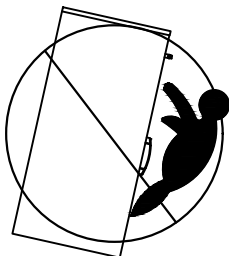
- Only clean using a damp cloth and mild detergent, do not use bleach or abrasive cleaners.
- From time to time check that there are no loose screws on this unit.
- This product should not be discarded with household waste. Take to your local authority waste disposal centre.

Handy Hints

- Assemble all parts and bolts loosely during assembly, only once the product is complete should you fully tighten the bolts
- Regularly check and ensure That all bolts and fittings are tightend properly.



WARNING













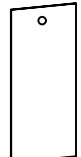



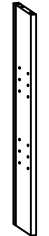


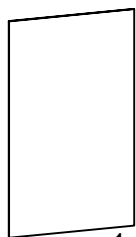



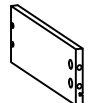
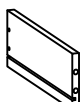


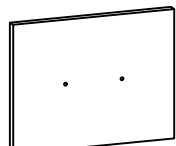
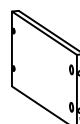
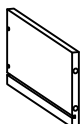


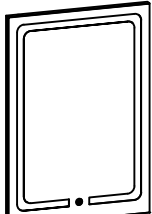
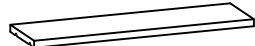
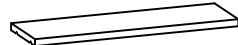
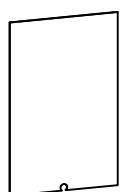
Children have died from furniture tipover.
 To reduce the risk of furniture tipover:

- ALWAYS install Anti-tip device provided.
- NEVER put a TV on this product.
- NEVER allow children to stand climb or hang on any drawers, doors, or shelves.
- NEVER open more than one drawer at a time.
- Place heaviest items in the lowest drawers.

This is a permanent label.
 Do not remove!

Components - Panels




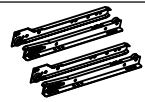



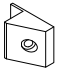

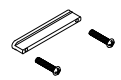







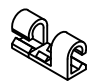


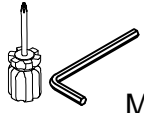
Please check you have all the panels listed below

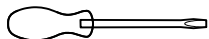
①  1 PC	②  1 PC	③  1 PC	④  1 PC	⑤  4 PCS
⑥  2 PCS	⑦  2 PCS	⑧  2 PCS	⑨  1 PC	⑩  1 PC
⑪  1 PC	⑫  1 PC	⑬  1 PC	⑭  1 PC	⑮  1 PC
⑯  1 PC	⑰  1 PC	⑱  1 PC	⑲  1 PC	⑳  1 PC
㉑  1 PC	㉒  1 PC	㉓  1 PC	㉔  1 PC	㉕  1 PC
㉖  6 PCS	㉗  6 PCS	㉘  6 PCS	㉙  6 PCS	㉚  6 PCS
㉛  1 PC	㉜  2 PCS	㉝  4 PCS	㉞  1 PC	

Components - Fittings

Please check you have all the panels listed below

Note: The quantities below are the correct amount to complete the assembly. In some cases more fittings may be supplied than are required.

A  Male Camlock x 87	B  Female Camlock x 87	C  Dowel x 14
D  Drawer slider 12" X 7	E  3*12mm Screw x 56	F  4*30mm Screw x 28
G  3*17mm Screw x 20	H  Plasticwedge x 20	I  Protective Feet x 12
J  Handle & Fixings x 7	K  6.8*48mm Screw x 6	L  Ø20 Sticker x 36
M  Socket x 1	N  3.5*14mm Screw x 13	O  Plastic door pin x 2
P  Pulley x 2	Q  Air duct frame x 1	R  Wire Holder x 3
S  Wall Fixing Pack x 2	T  Ø5x16mm x24	 M4 x 1

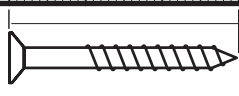
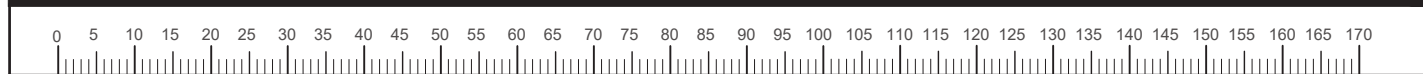


Tools required



Phillips screwdriver
(medium & large)

Ruler - Use this ruler to help correctly identify the screws



The screws length is measured from the head to the point (35mm screw shown).

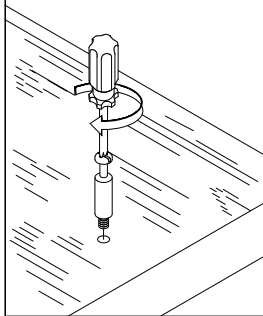
Using Camlocks

Step 1

Connect the male camlock as directed in the assembly instructions using a screwdriver.

1

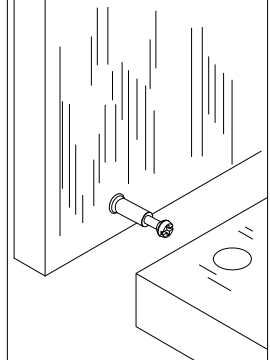
DO NOT OVER TIGHTEN.
NE PAS SERRER EXCESSIVEMENT.



Step 2

Push the male camlock into the entry hole.

2

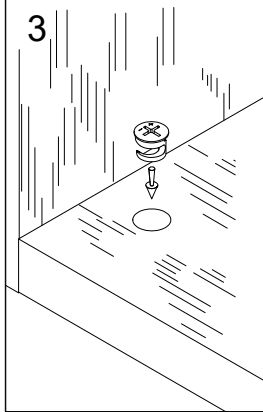


Step 3

Insert the female camlock as shown in the instruction.

Note: ensure that the arrow on the top of the camlock points towards the entry hole for the male camlock.

3



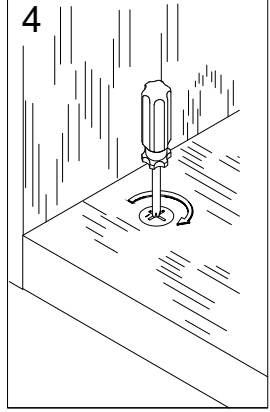
Step 4

Turn the female camlock clockwise with a screwdriver.

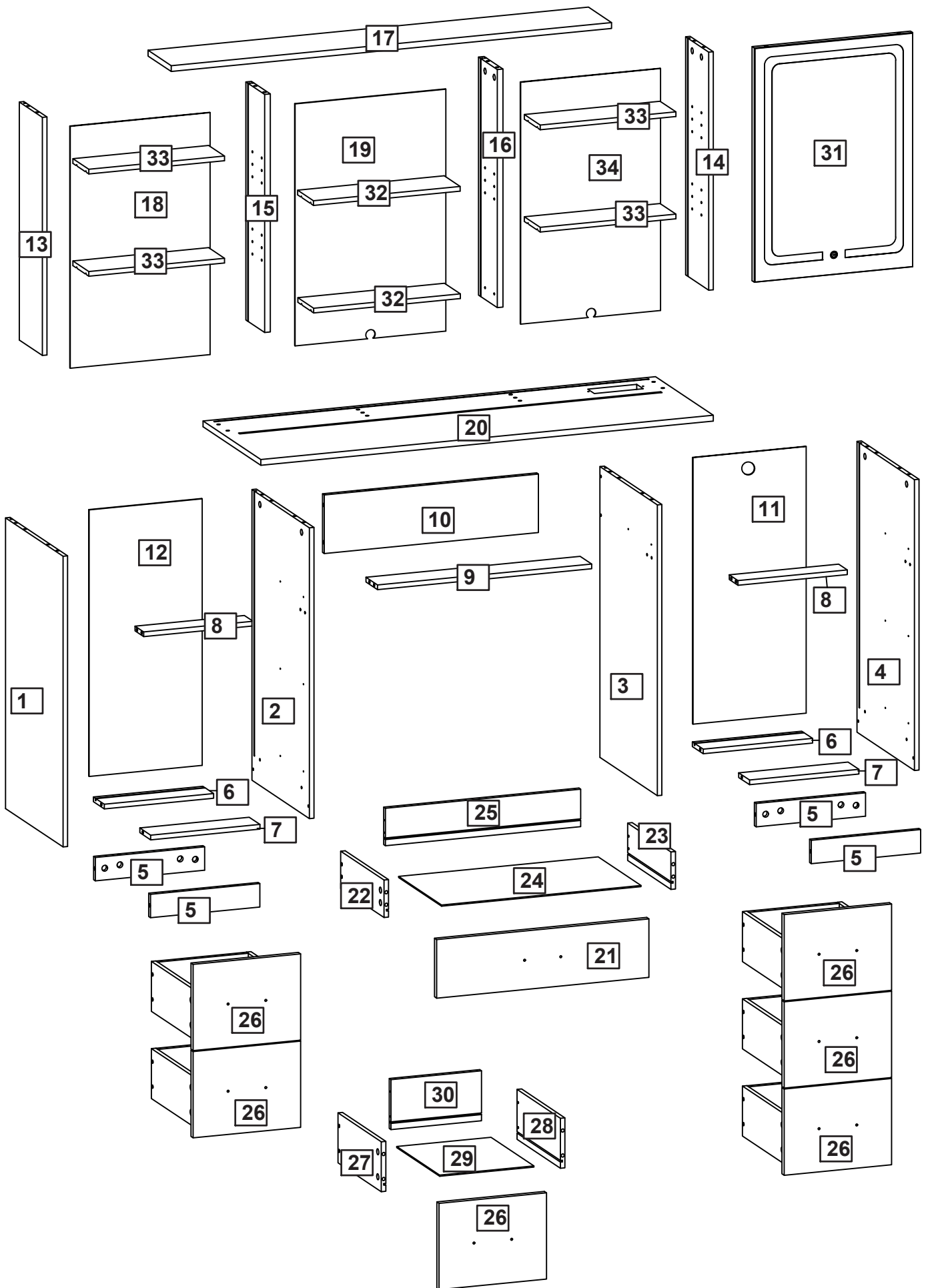
You should feel a click when the camlock is locked in place.

The joint is now secure.

4

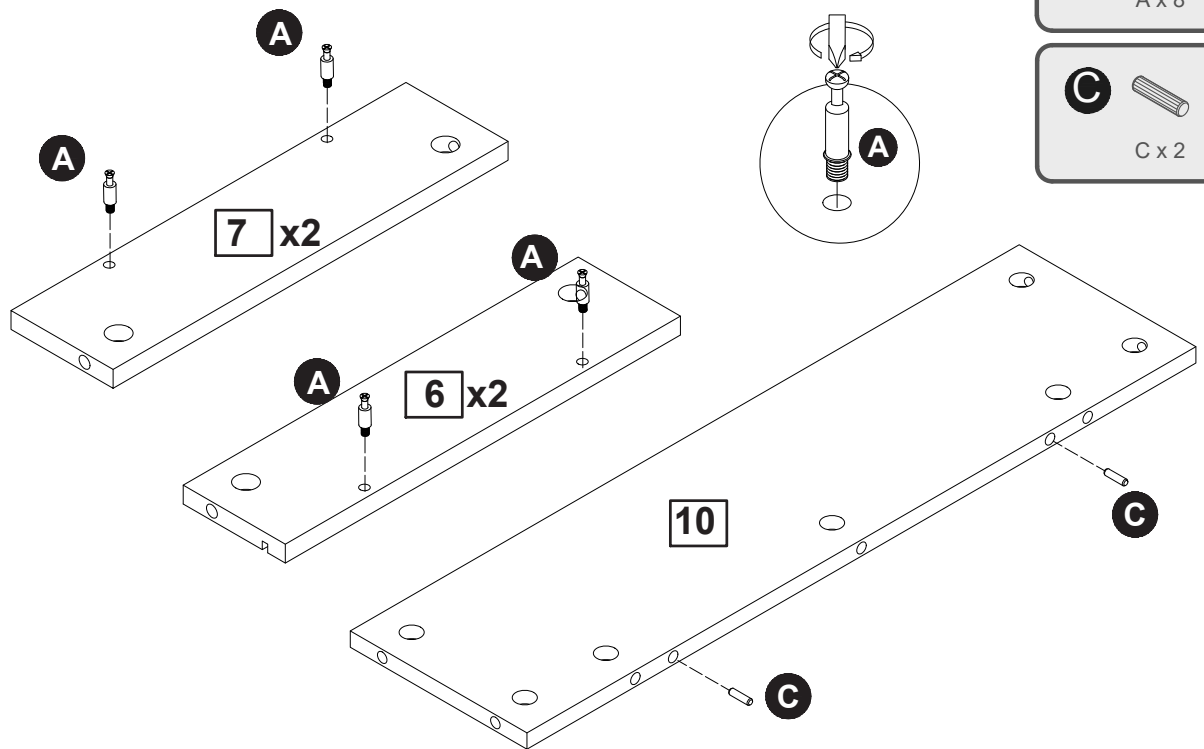


Assembly Instructions

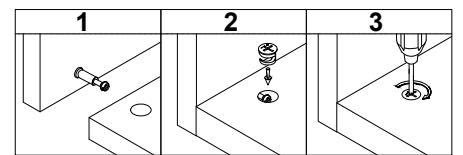
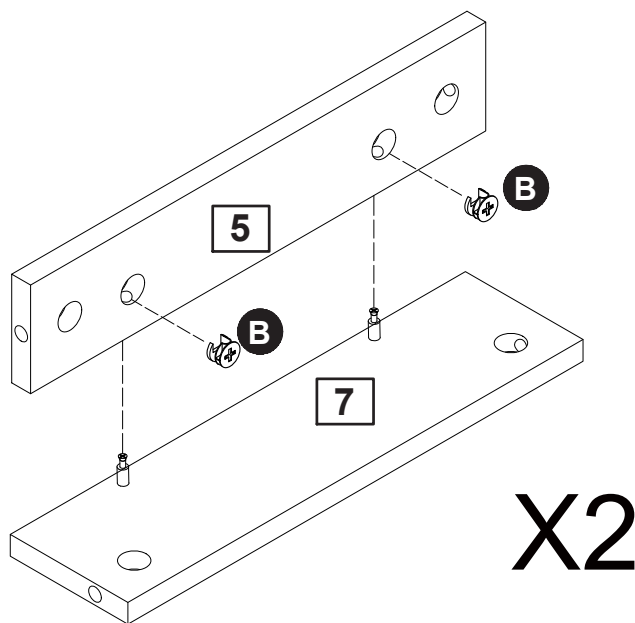


Assembly Instructions

Step 1

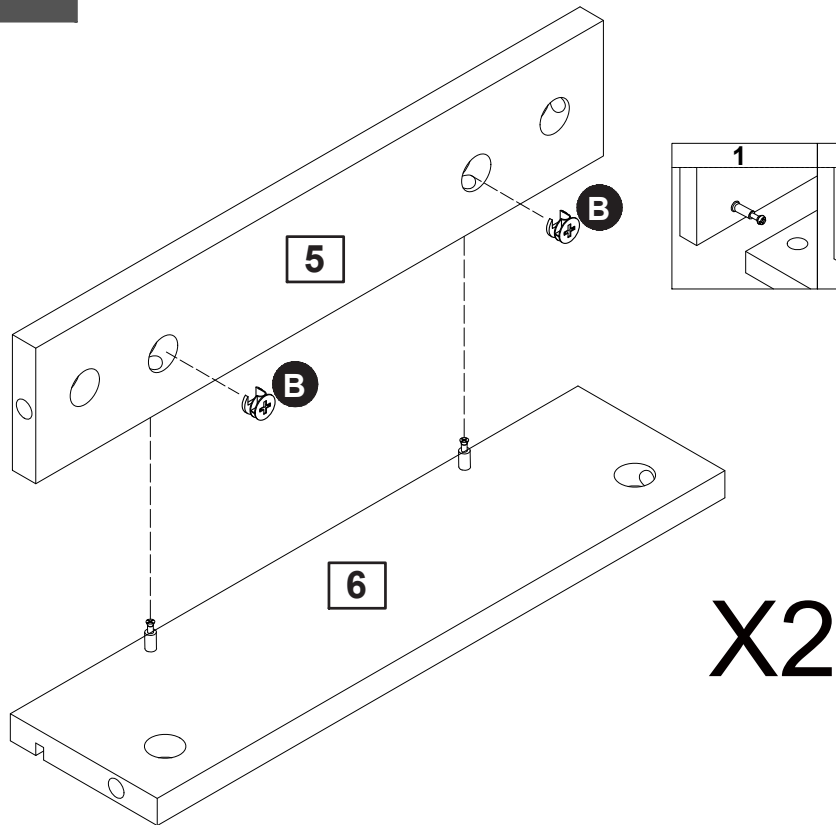


Step 2

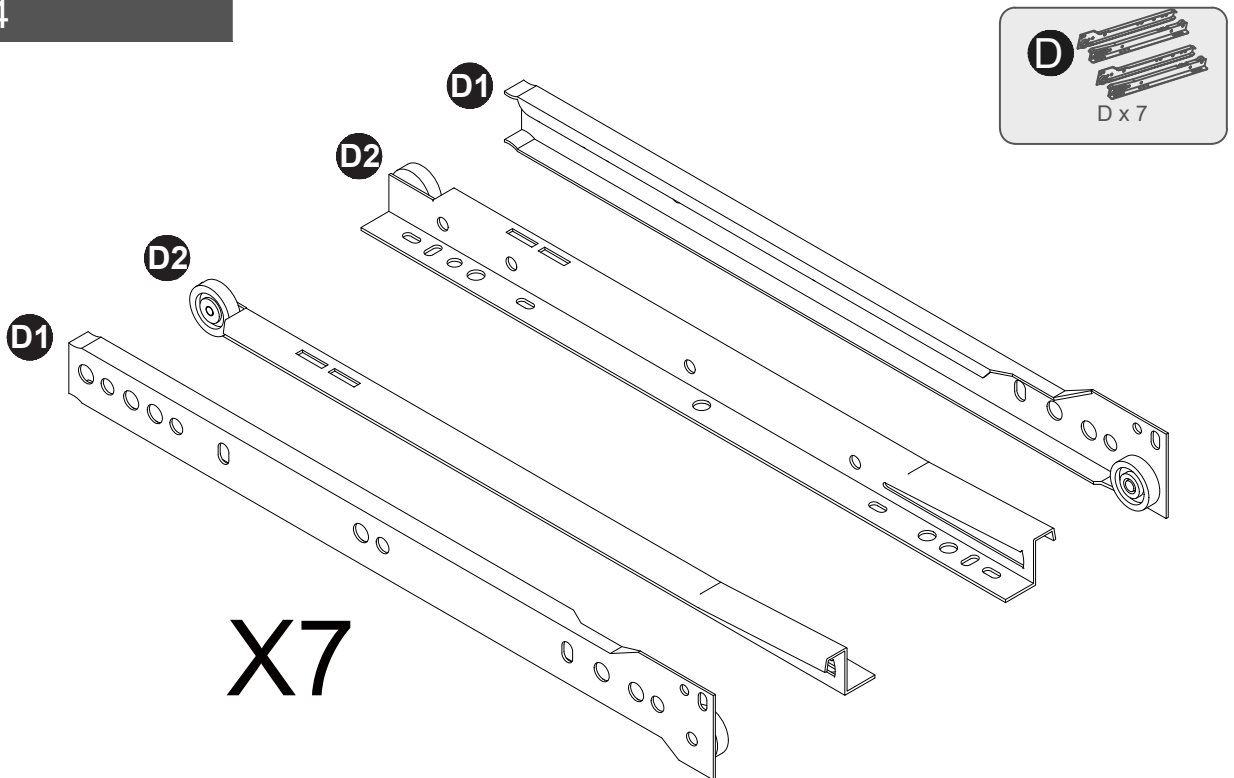


Assembly Instructions

Step 3

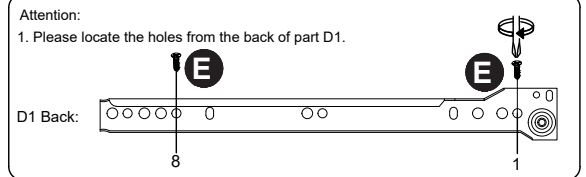
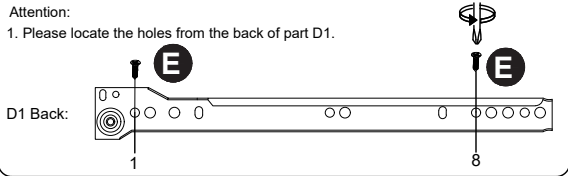
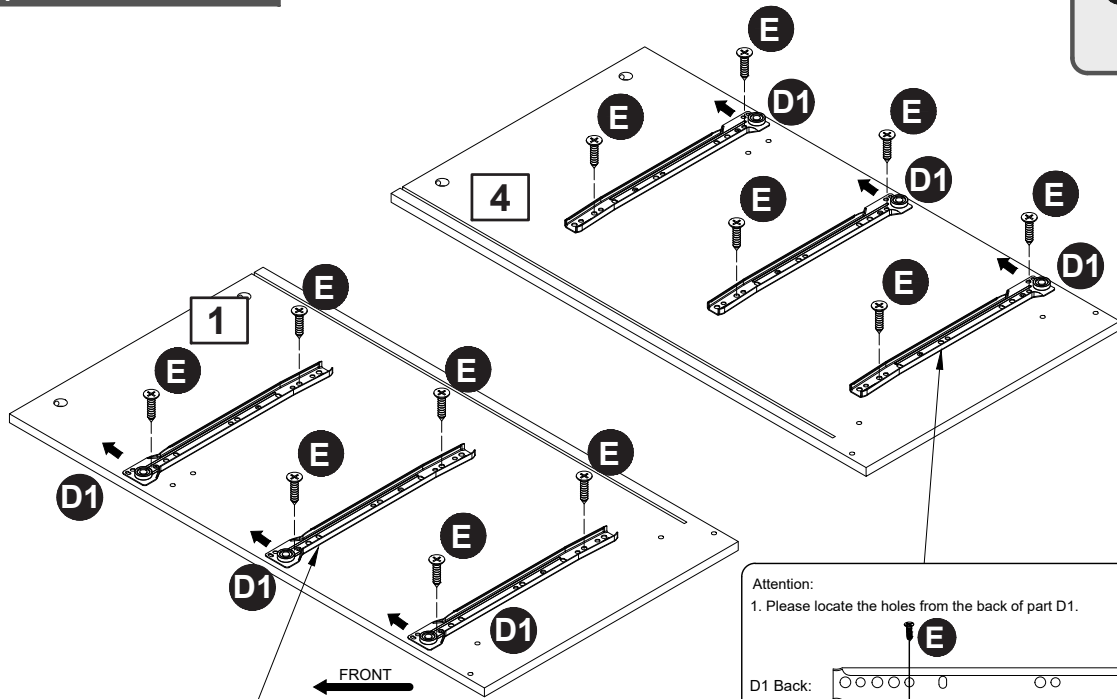


Step 4

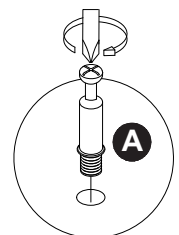
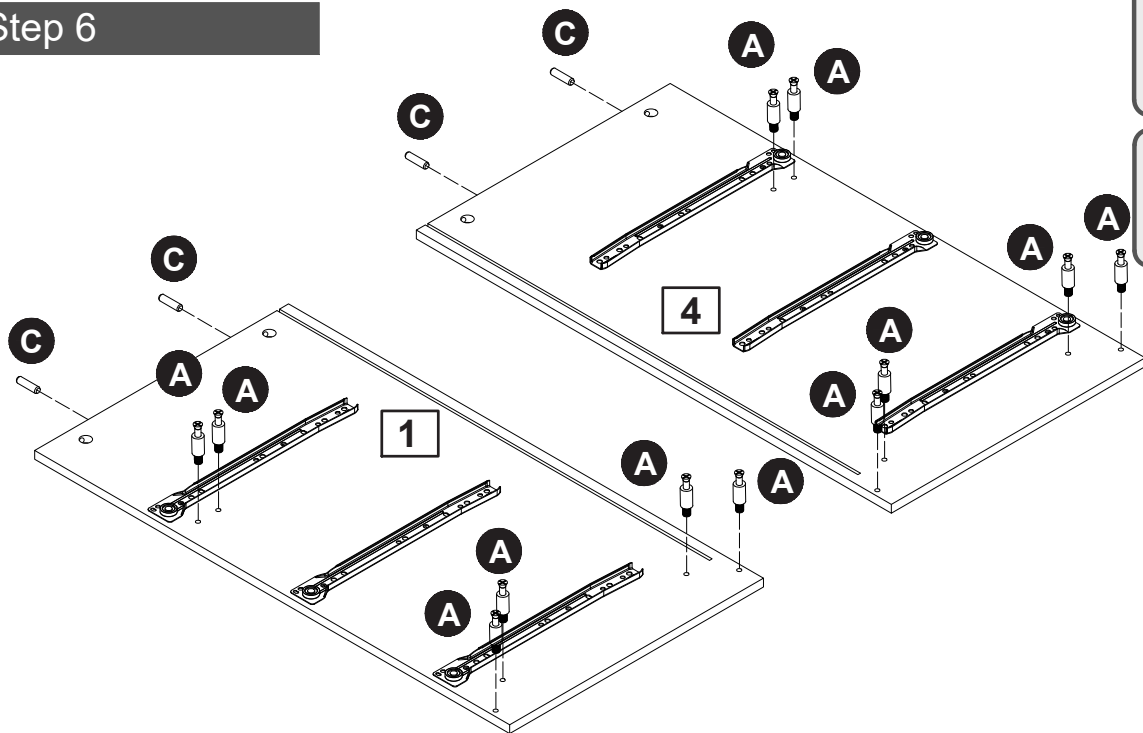


Assembly Instructions

Step 5



Step 6

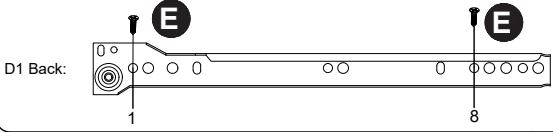


Assembly Instructions

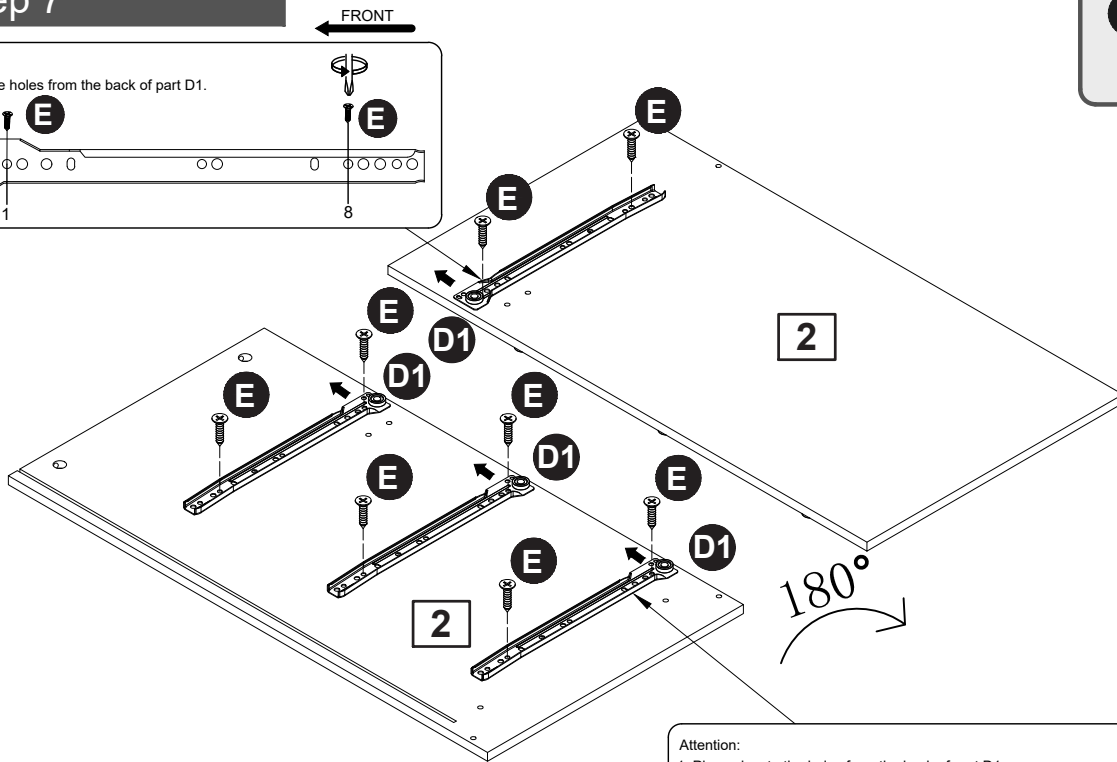
Step 7

Attention:

1. Please locate the holes from the back of part D1.

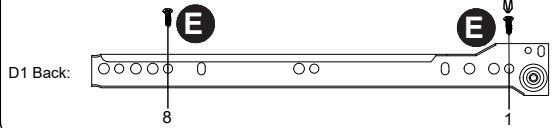


E x 8



Attention:

1. Please locate the holes from the back of part D1.

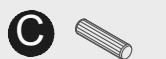


FRONT

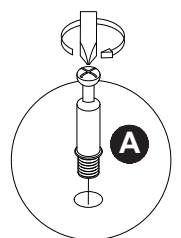
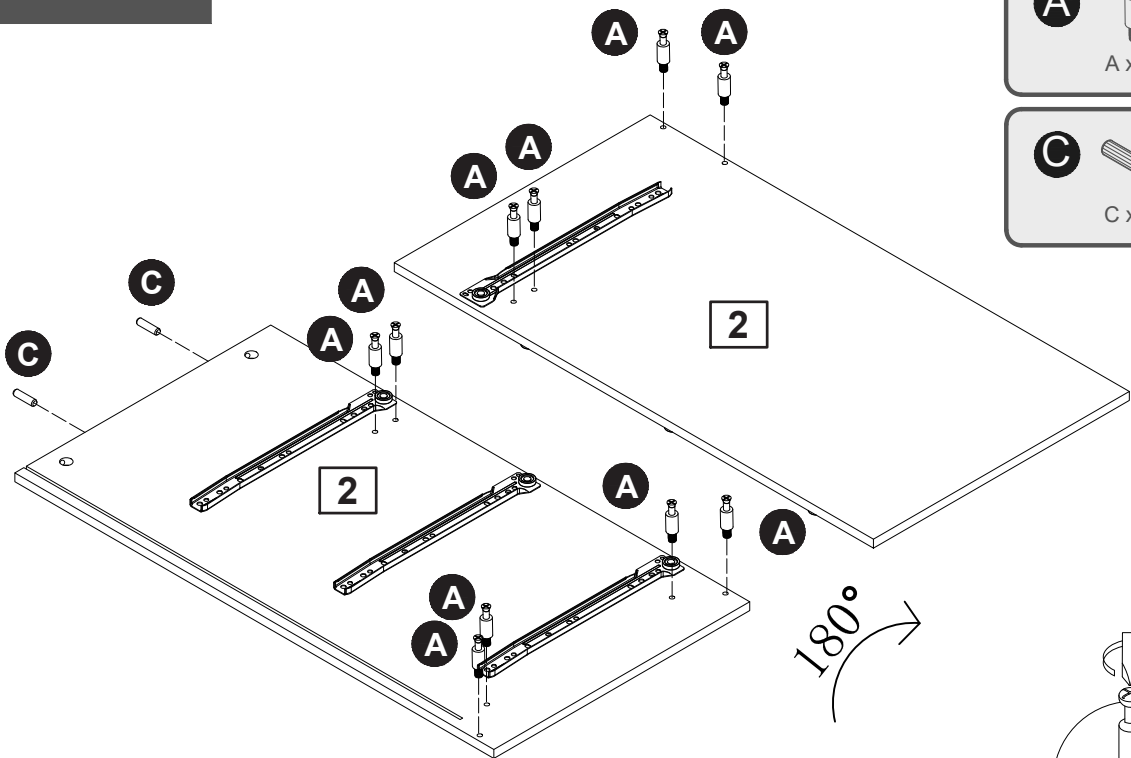
Step 8



A x 10

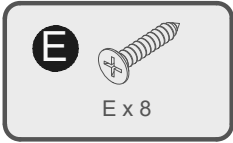


C x 2



Assembly Instructions

Step 9

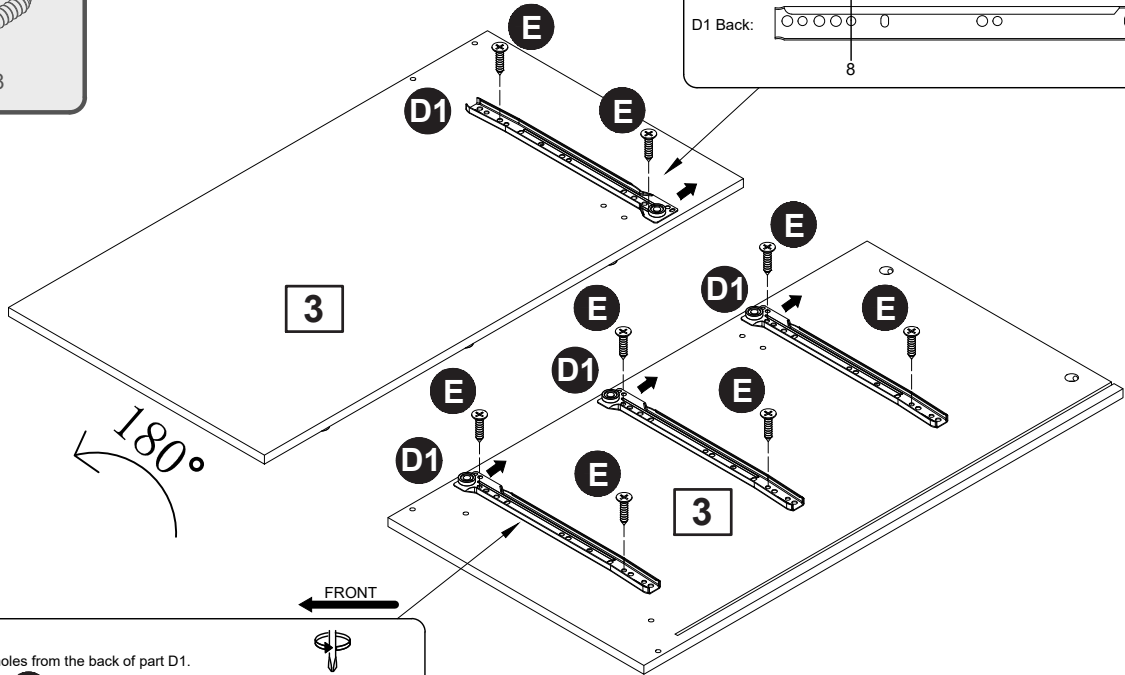


Attention:
1. Please locate the holes from the back of part D1.

D1 Back:

8

1



Attention:

1. Please locate the holes from the back of part D1.

D1 Back:

1

8

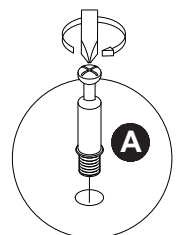
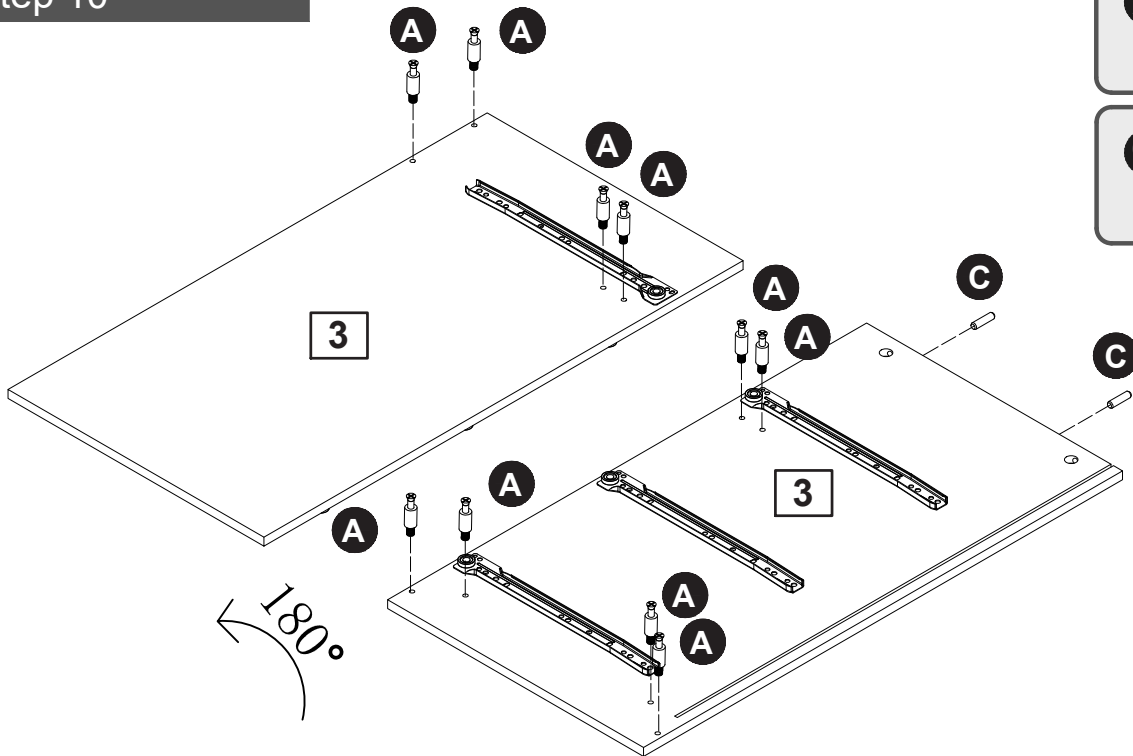
Step 10

A

A x 10

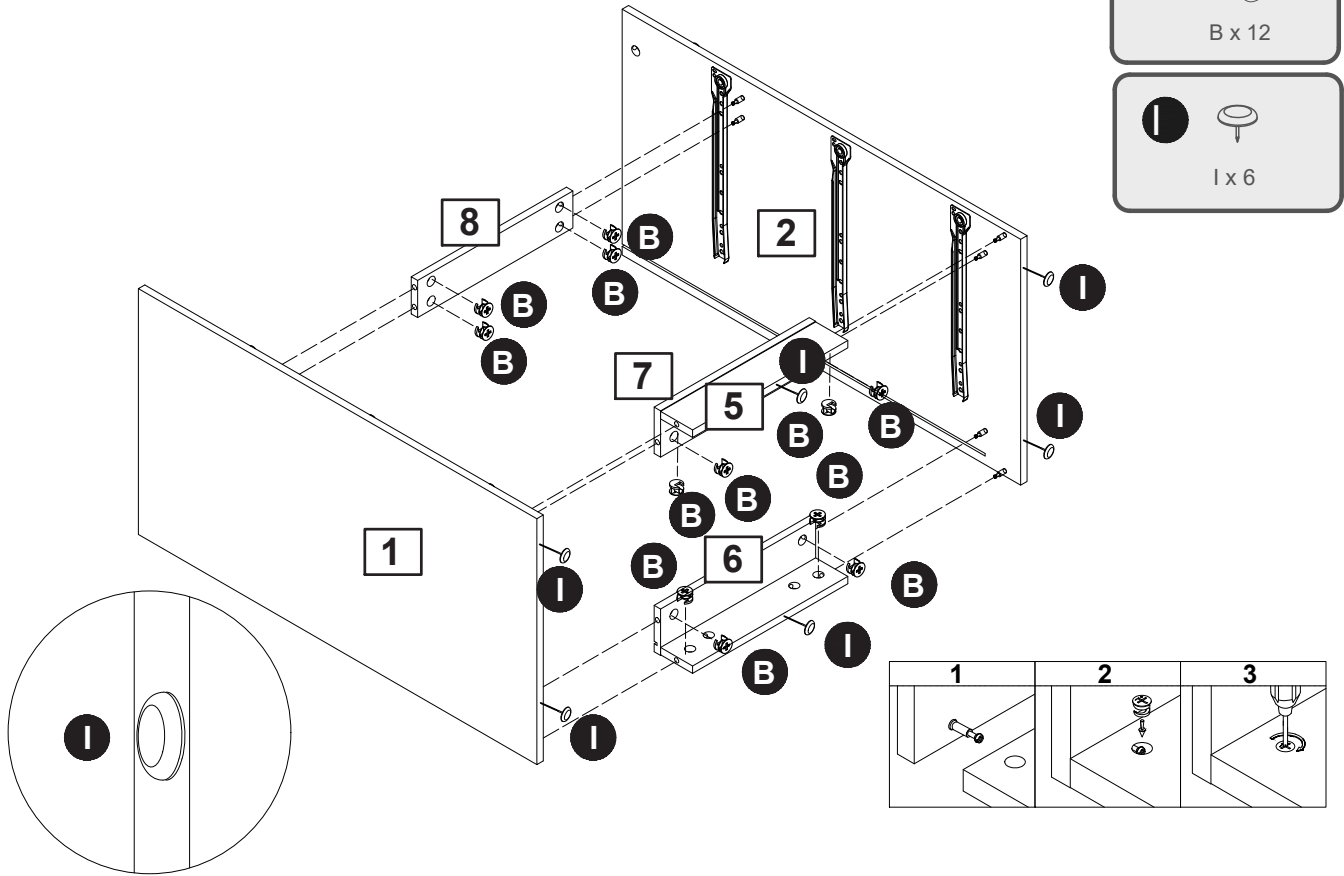
C

C x 2

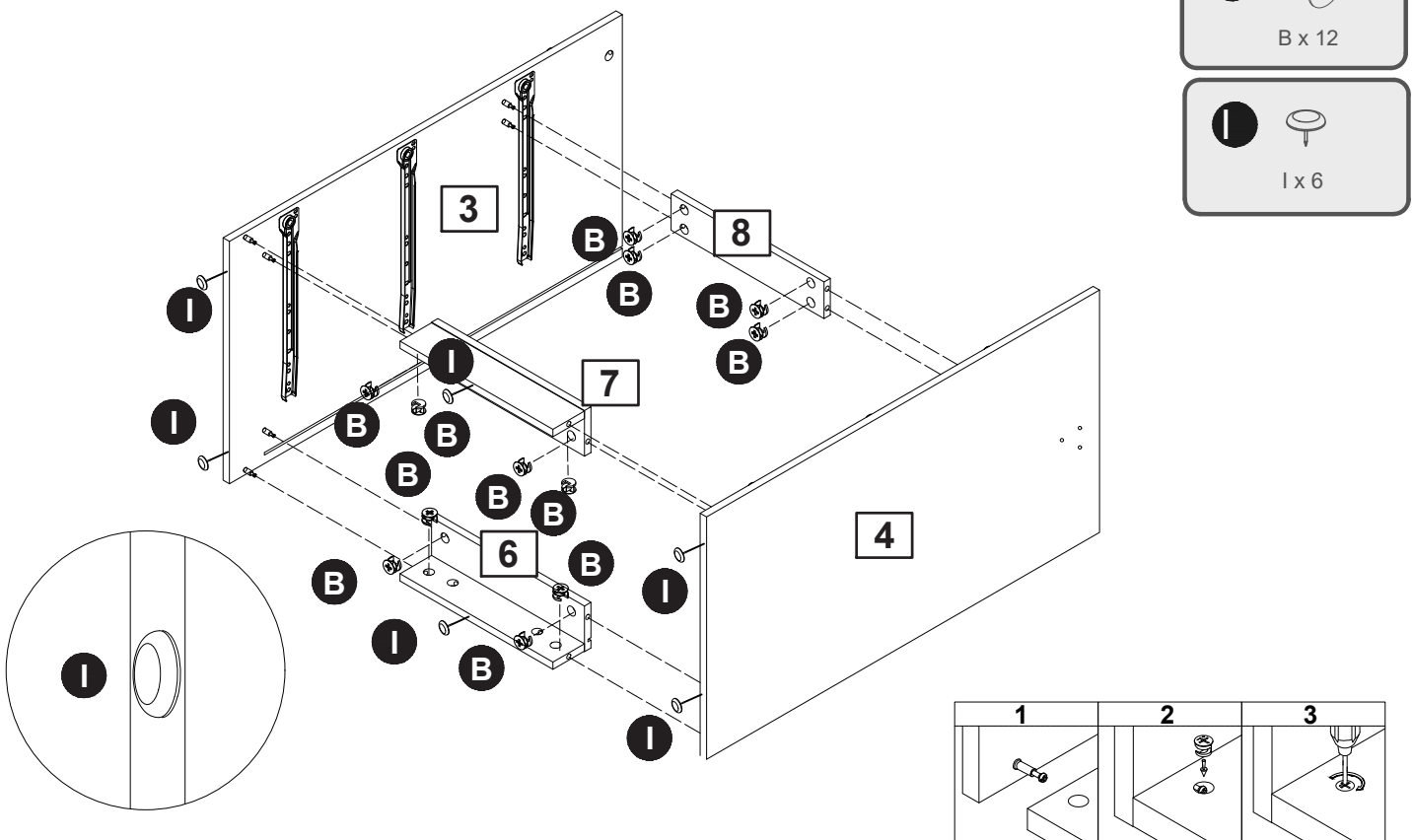


Assembly Instructions

Step 11

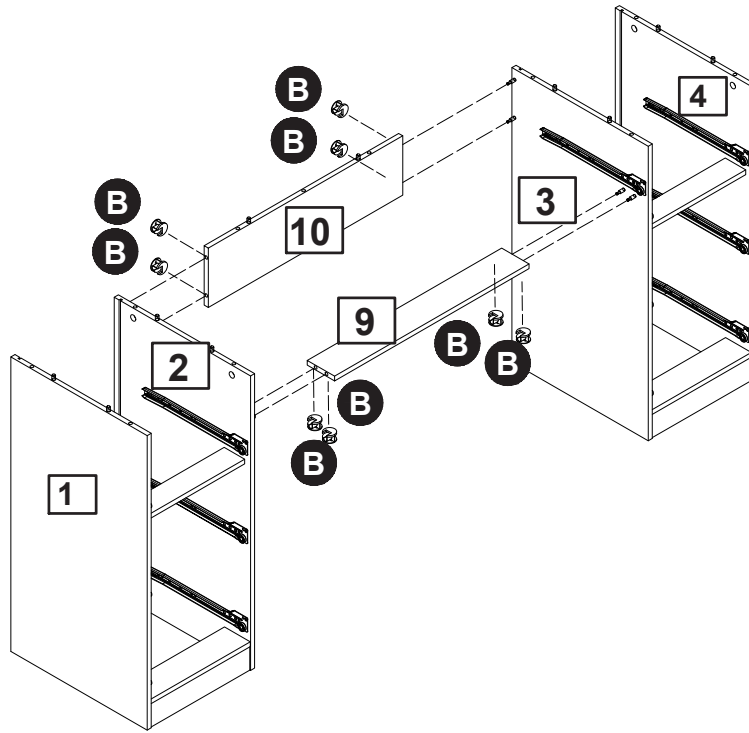


Step 12

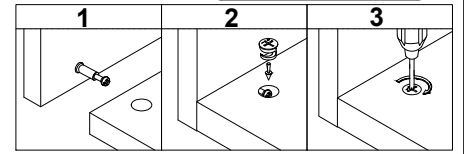


Assembly Instructions

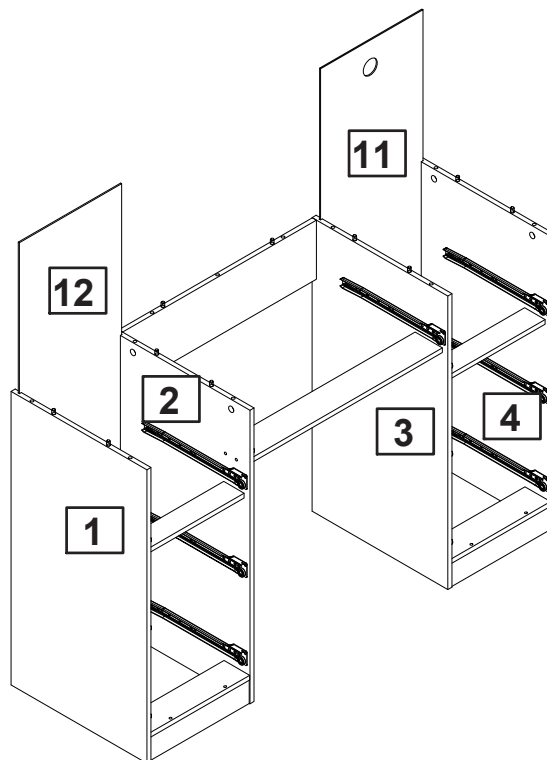
Step 13



B x 8

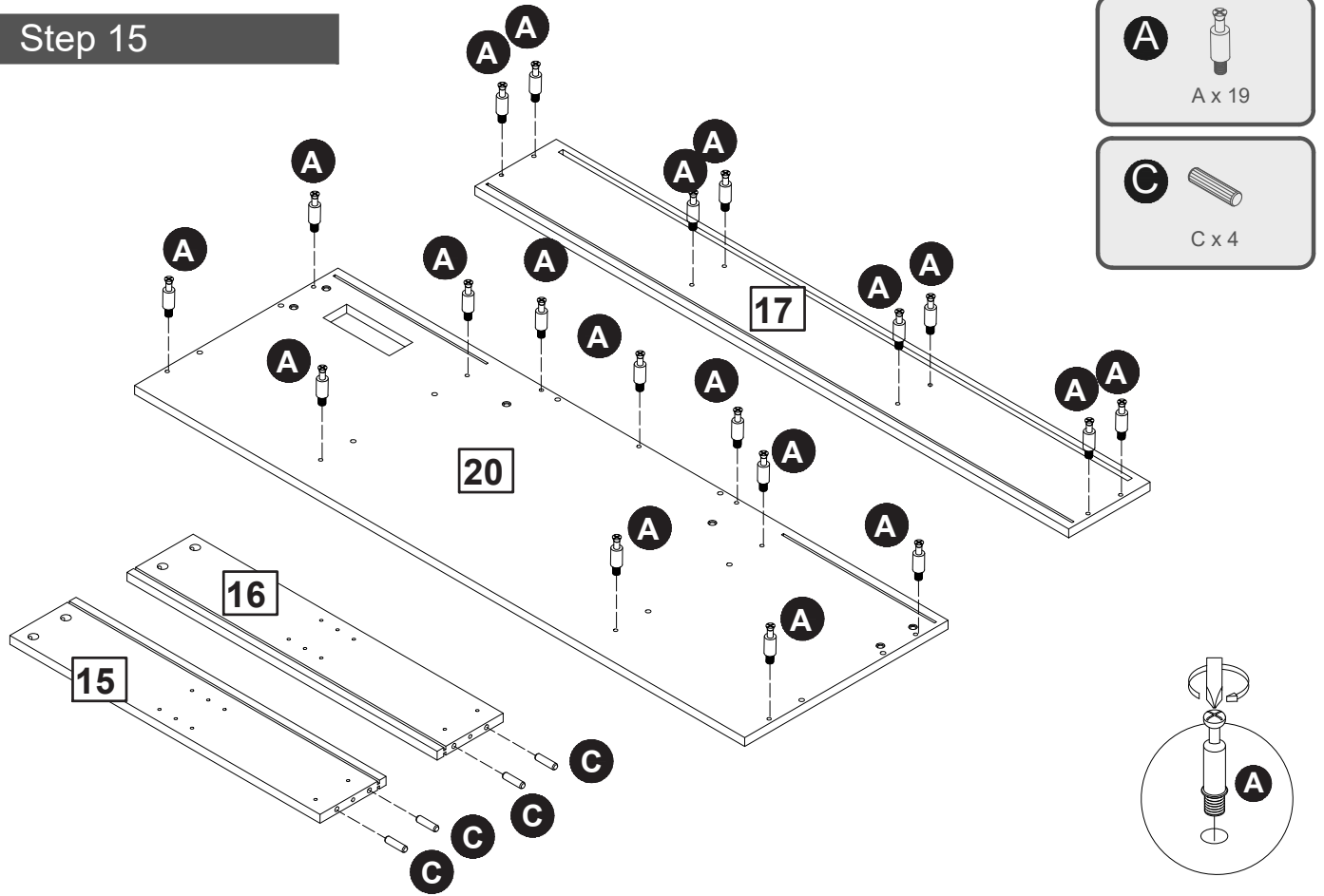


Step 14

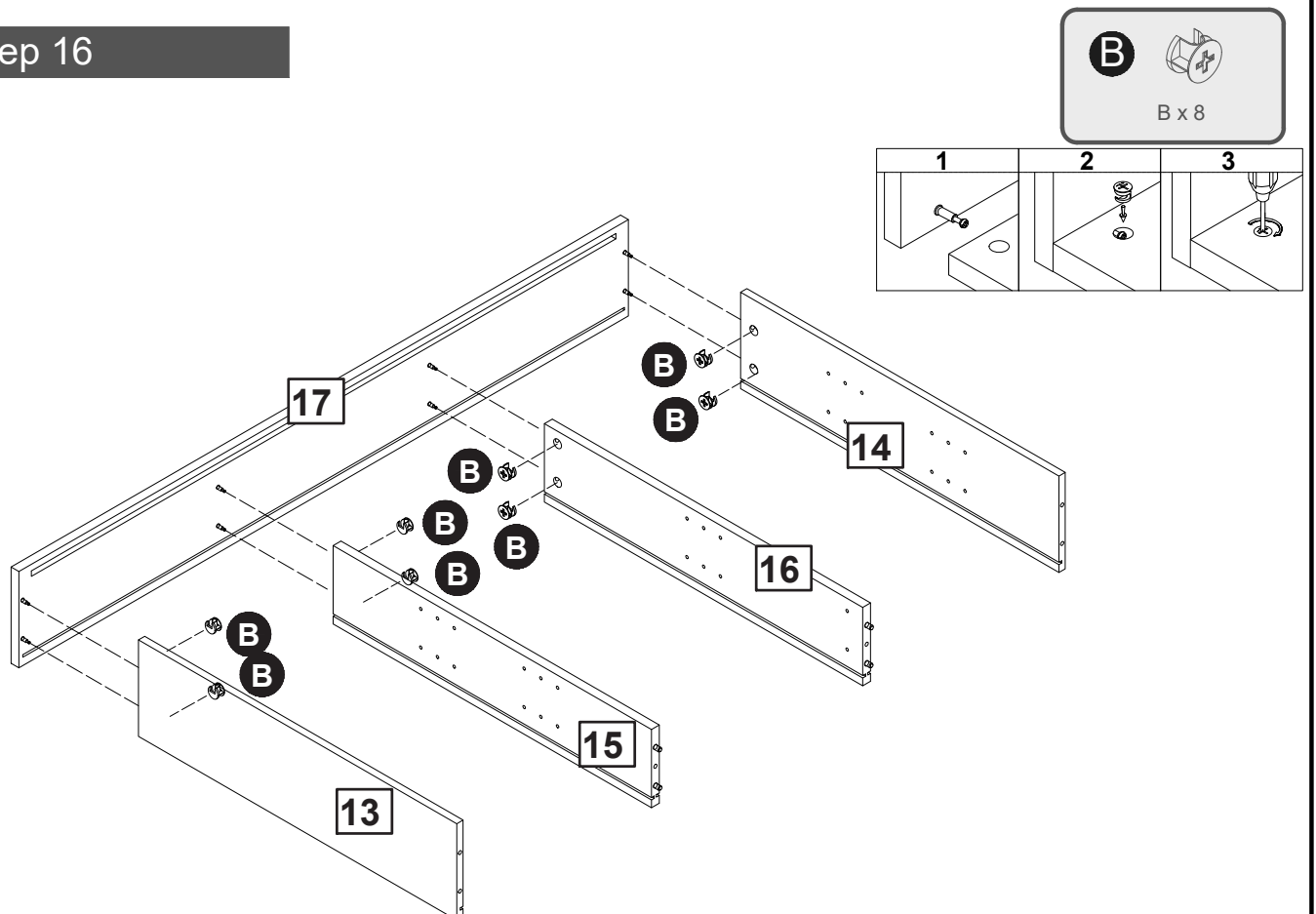


Assembly Instructions

Step 15

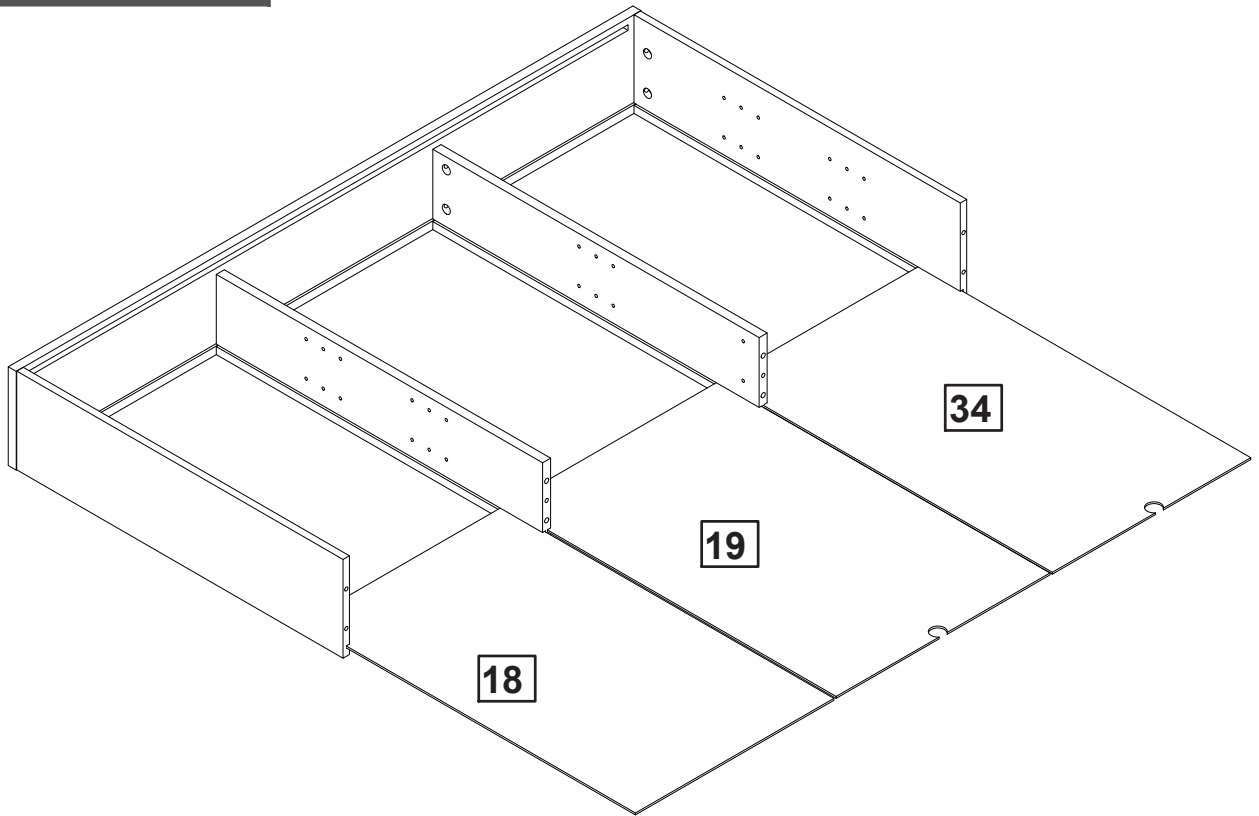


Step 16

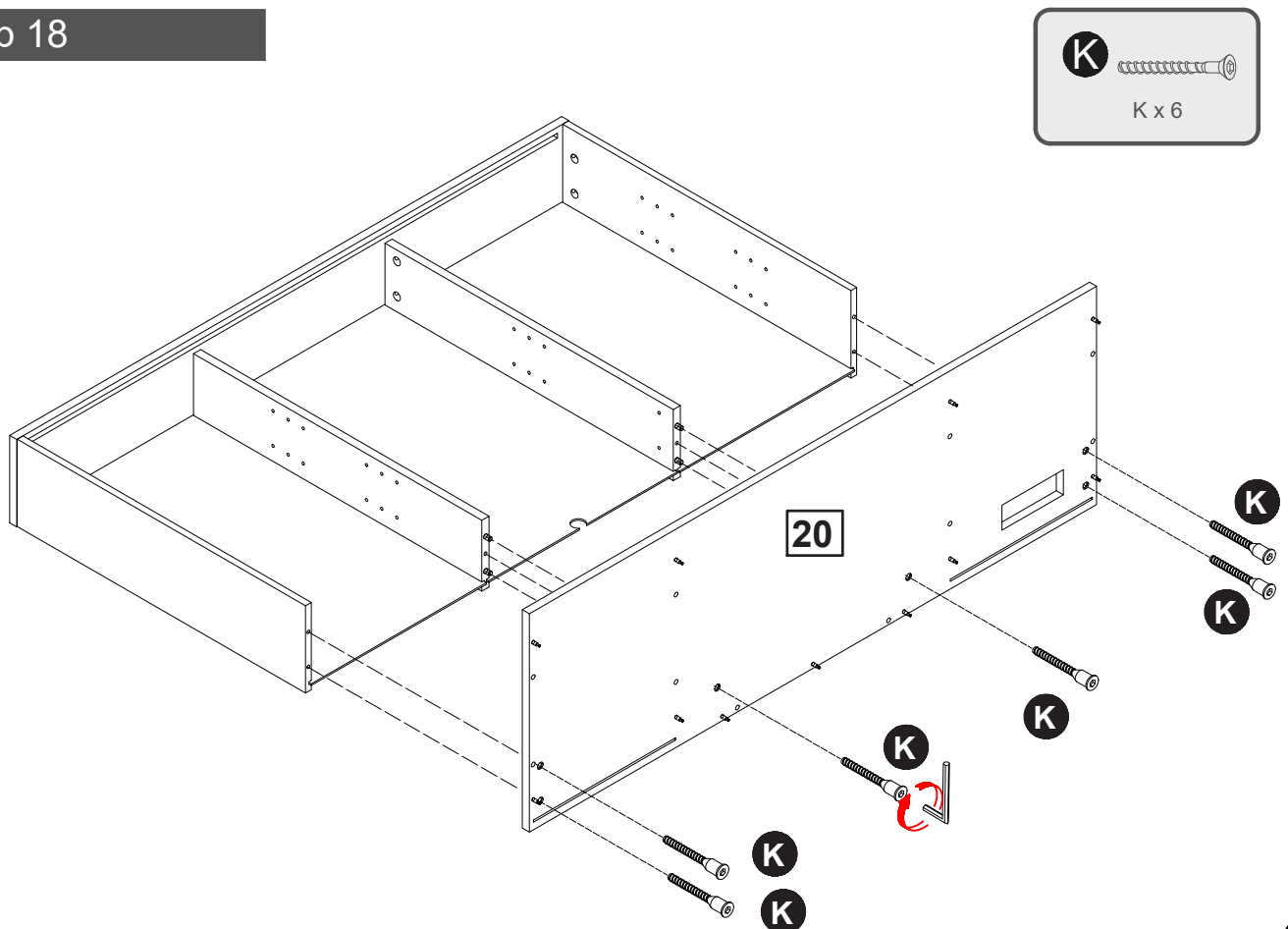


Assembly Instructions

Step 17



Step 18



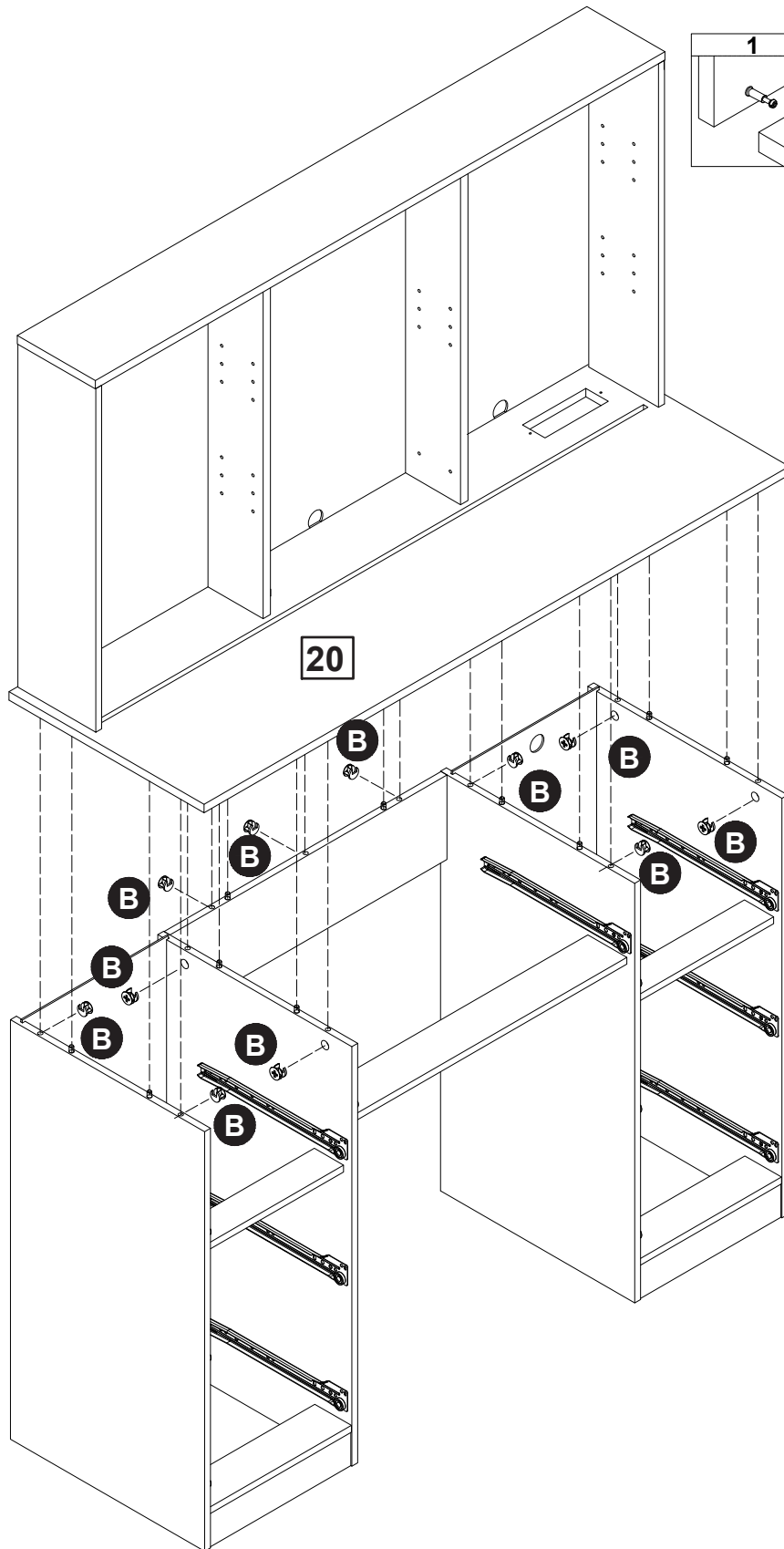
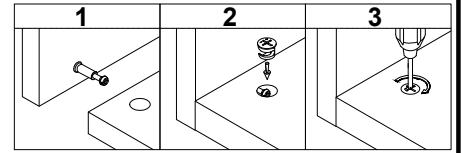
Assembly Instructions

Step 19

B

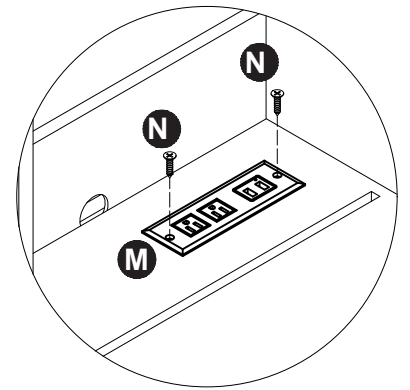
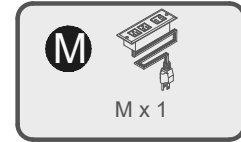
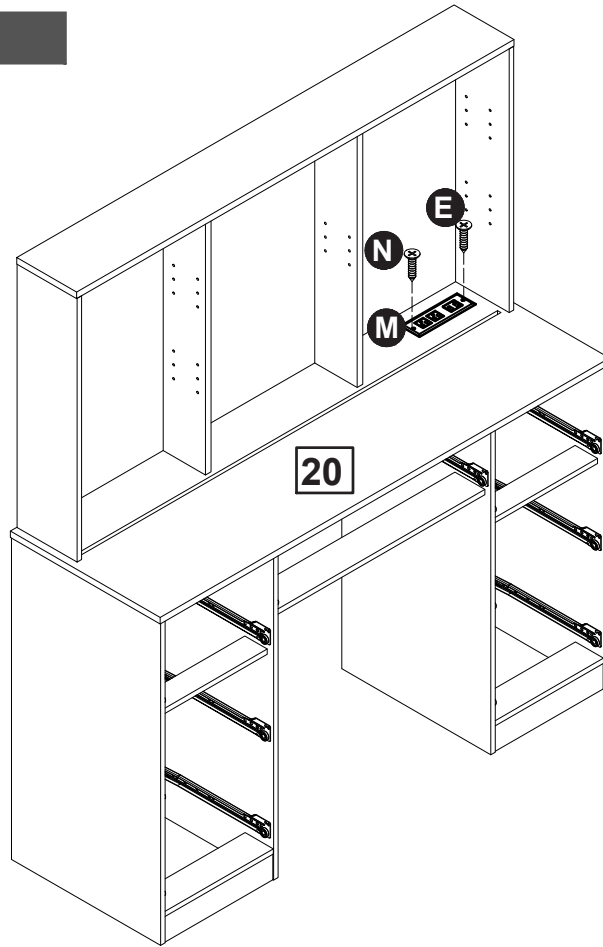


B x 11

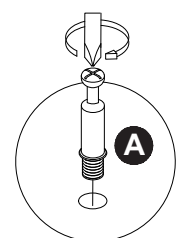
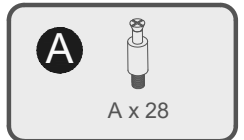
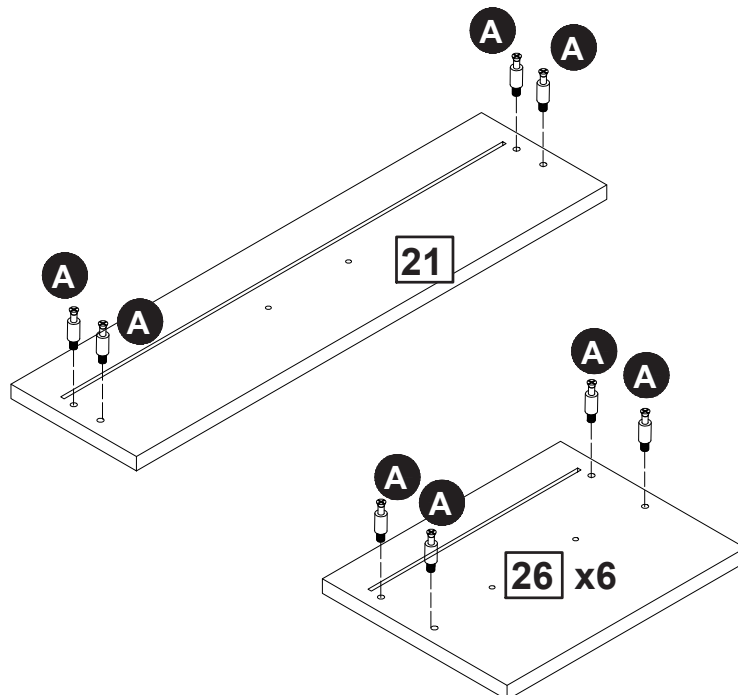


Assembly Instructions

Step 20

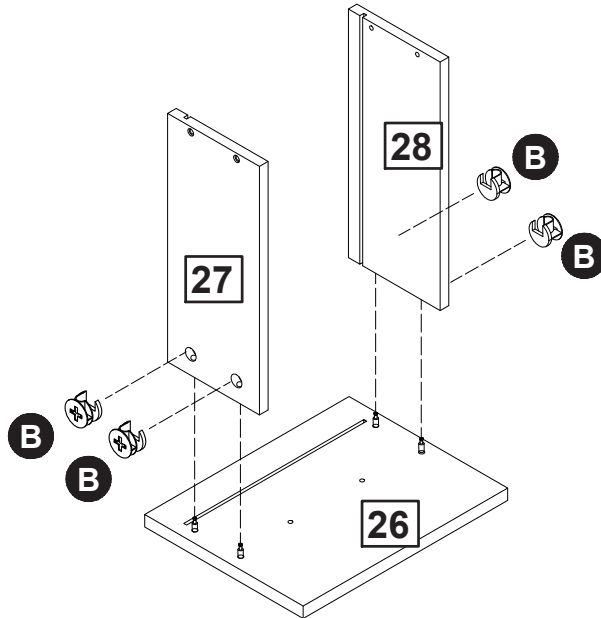
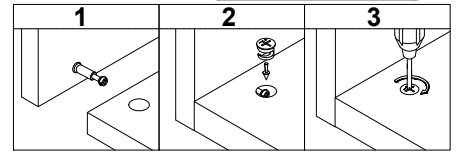
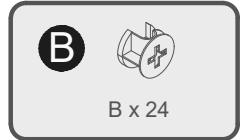


Step 21



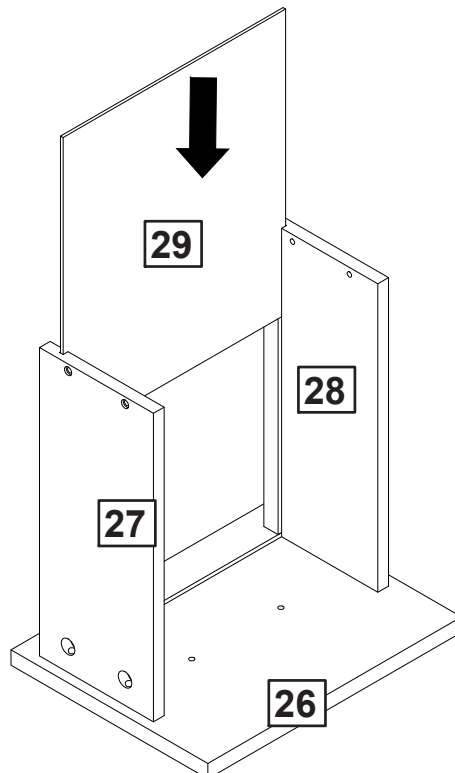
Assembly Instructions

Step 22



X6

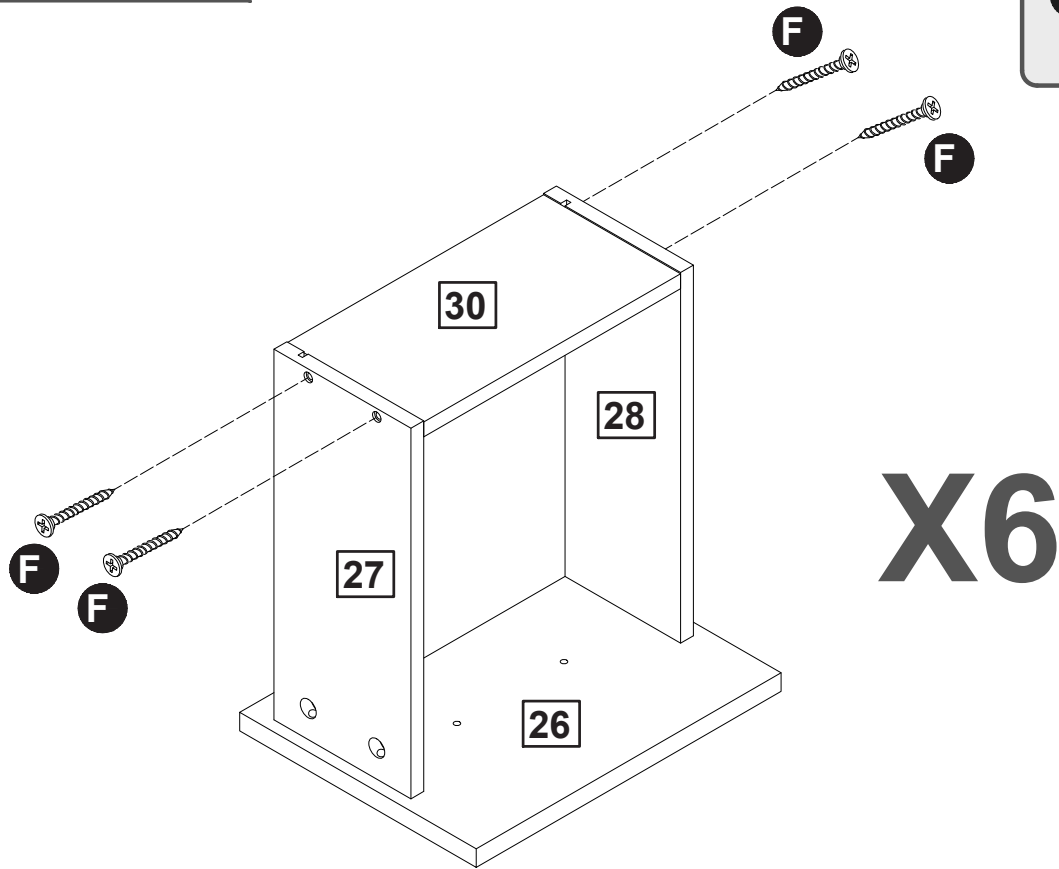
Step 23



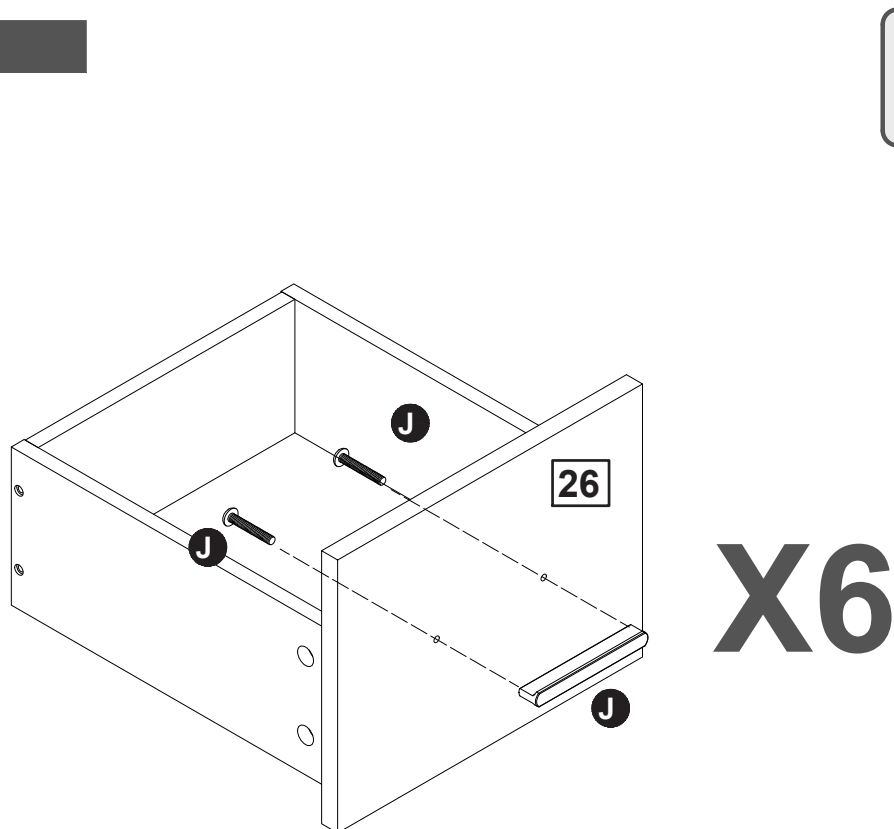
X6

Assembly Instructions

Step 24

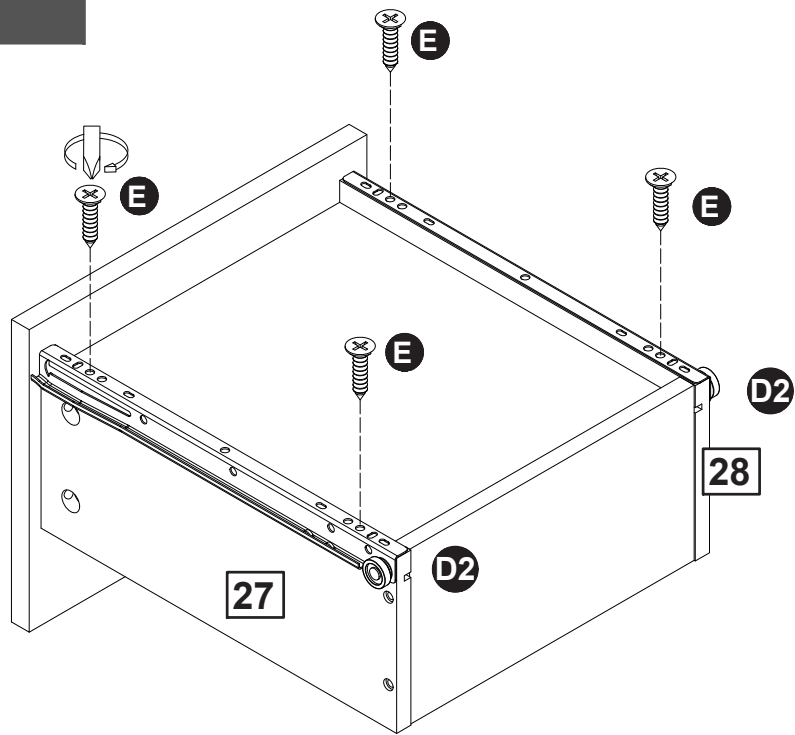


Step 25



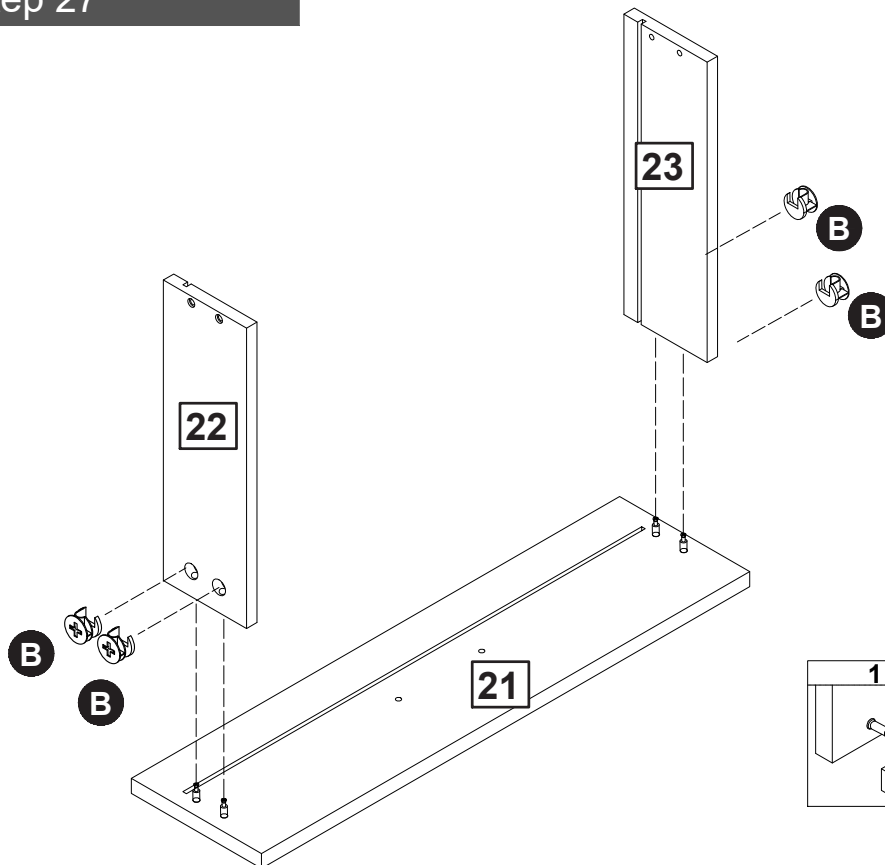
Assembly Instructions

Step 26



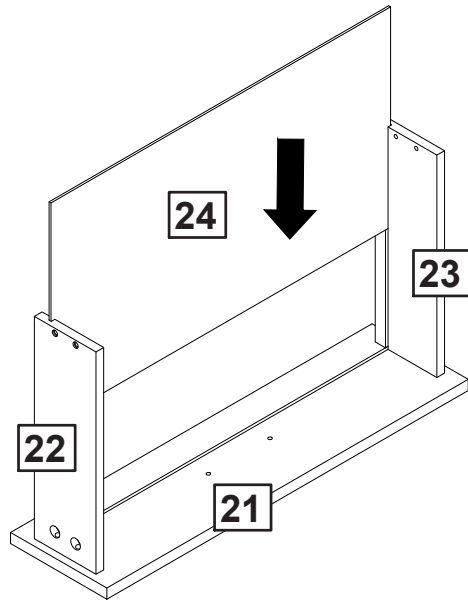
X6

Step 27

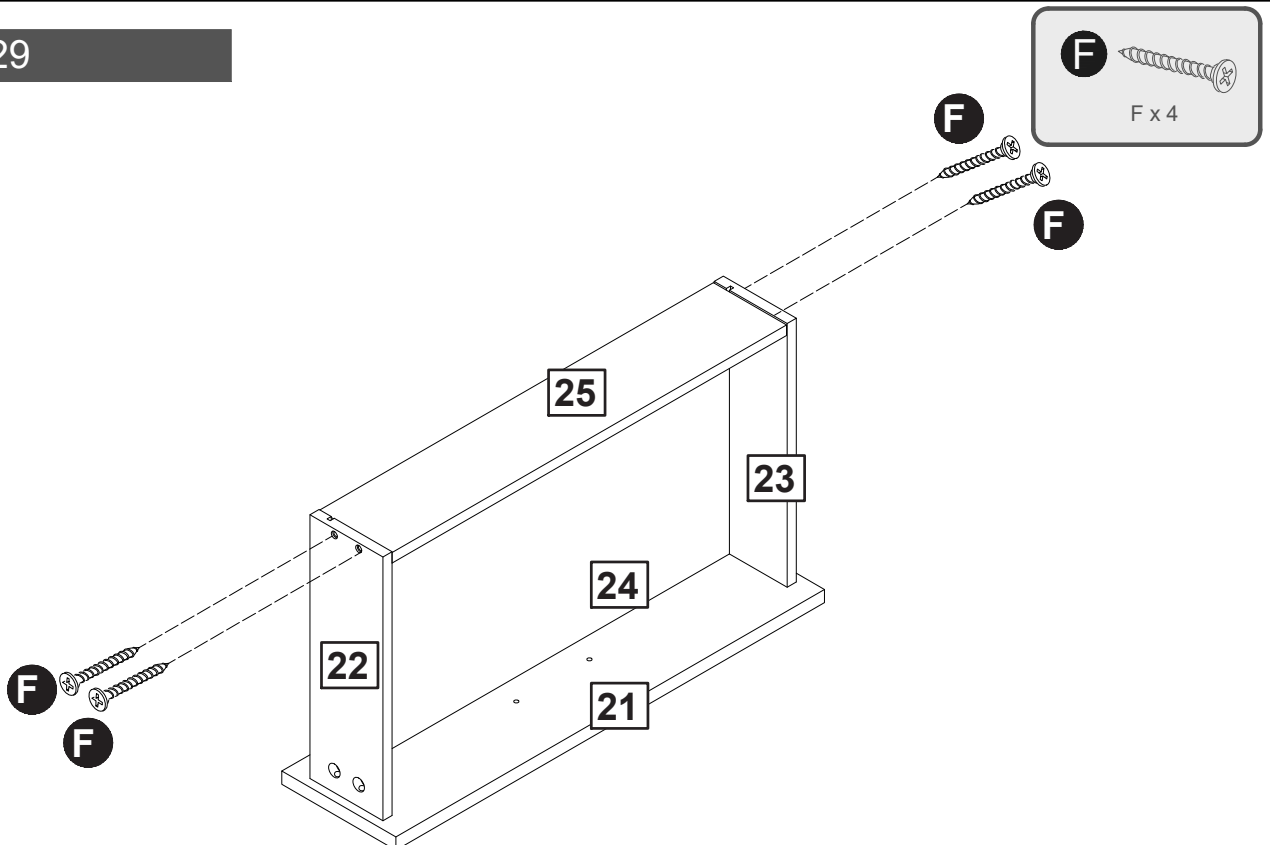


Assembly Instructions

Step 28

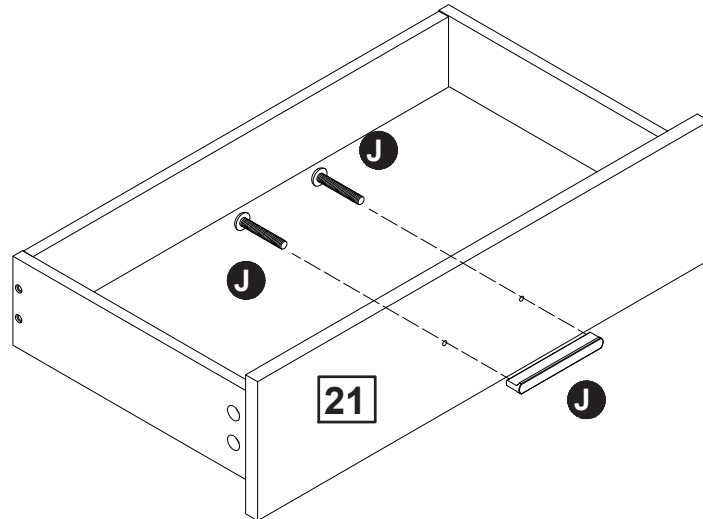
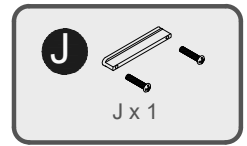


Step 29

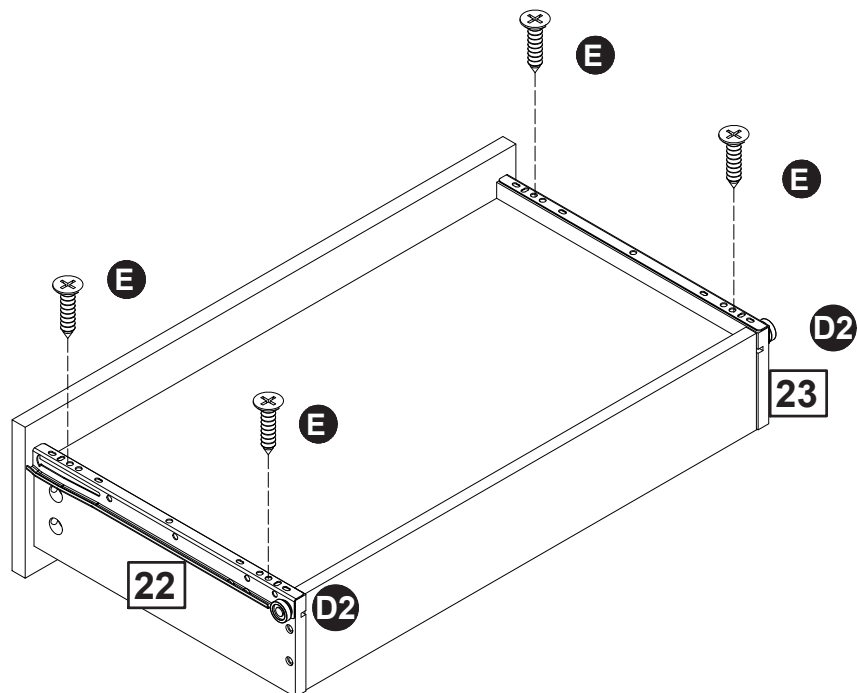


Assembly Instructions

Step 30

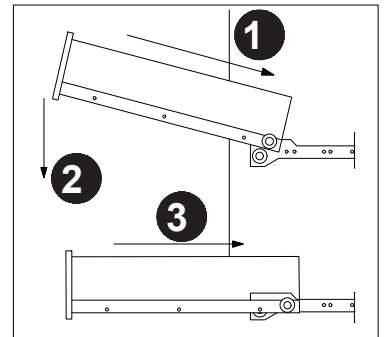
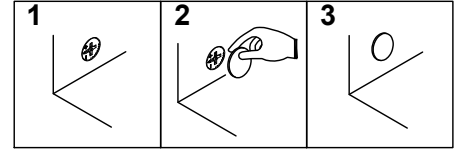
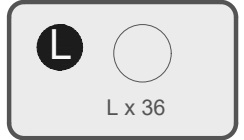
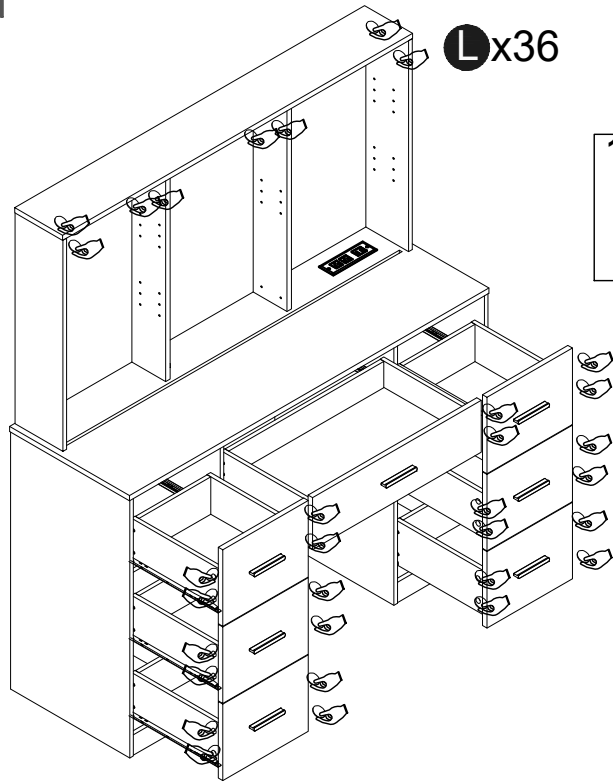


Step 31

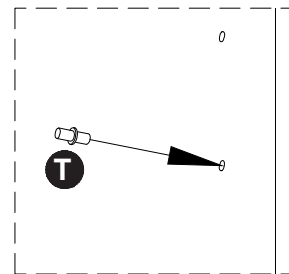
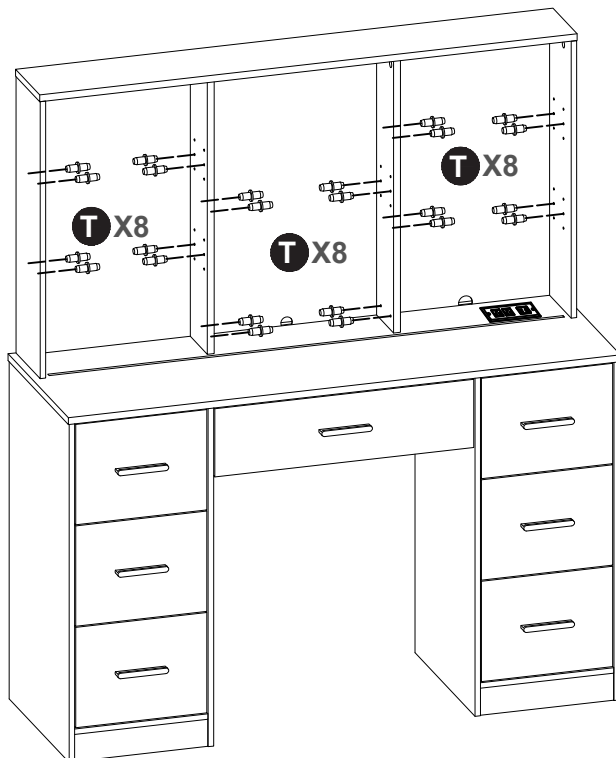


Assembly Instructions

Step 32

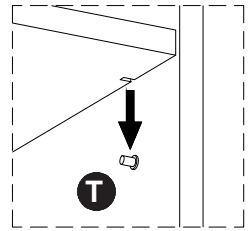
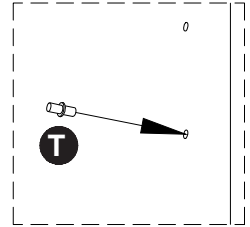
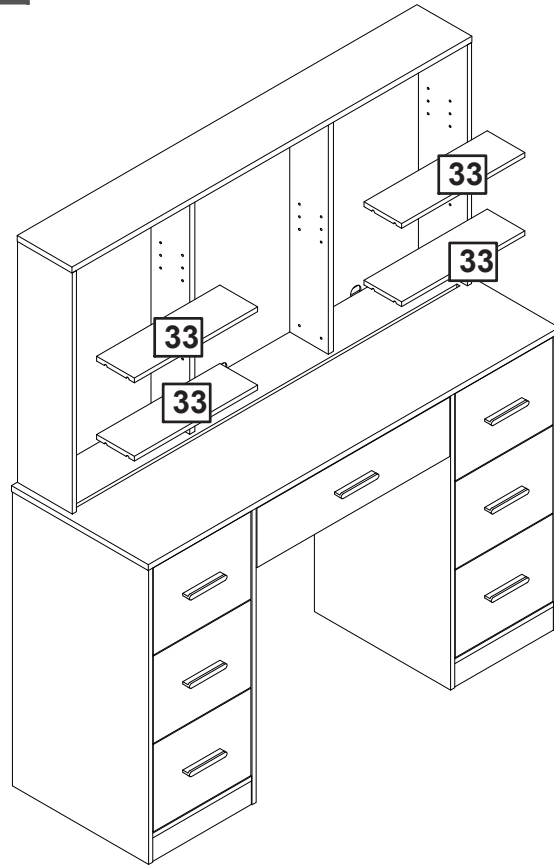


Step 33

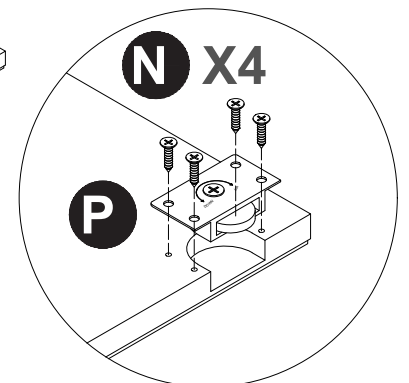
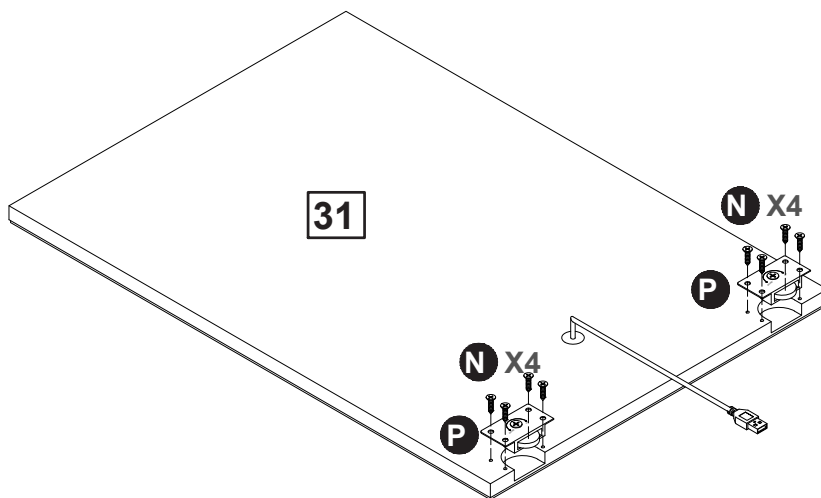


Assembly Instructions

Step 34

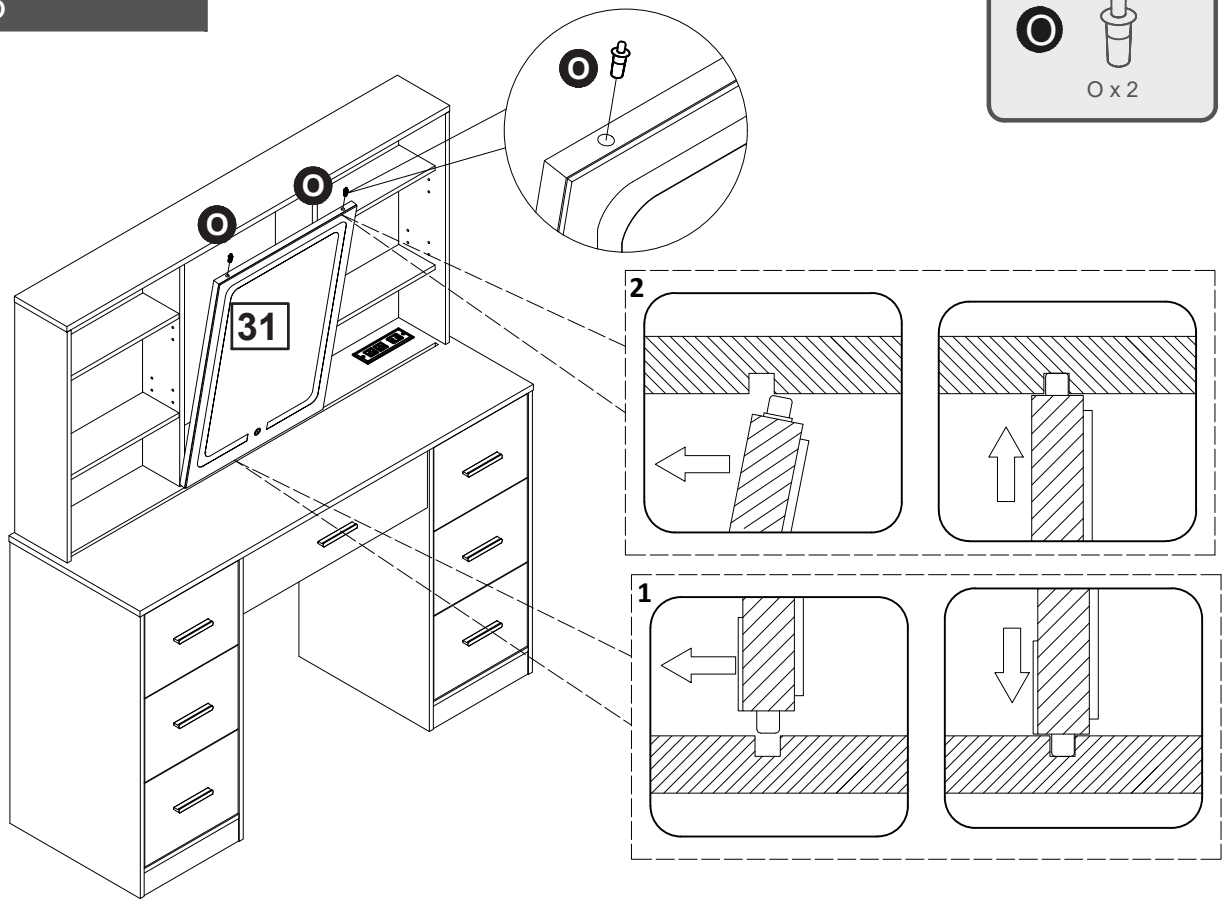


Step 35

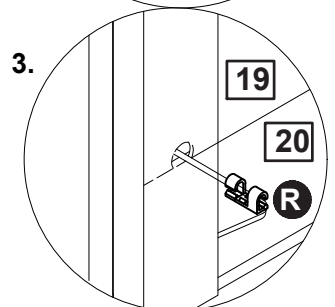
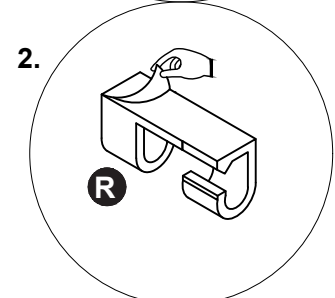
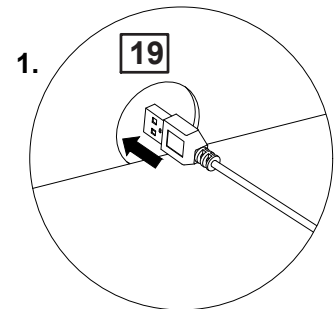
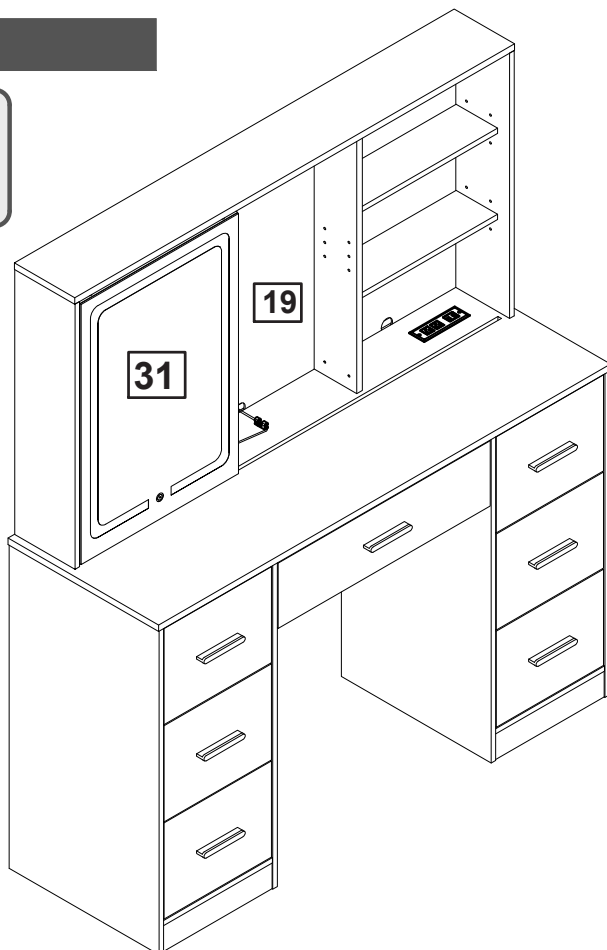


Assembly Instructions

Step 36

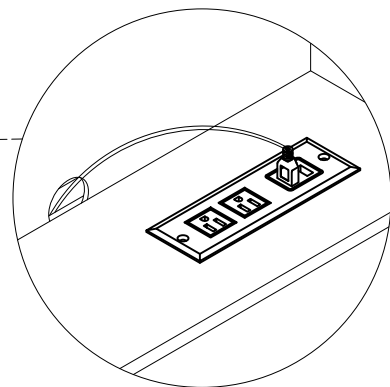
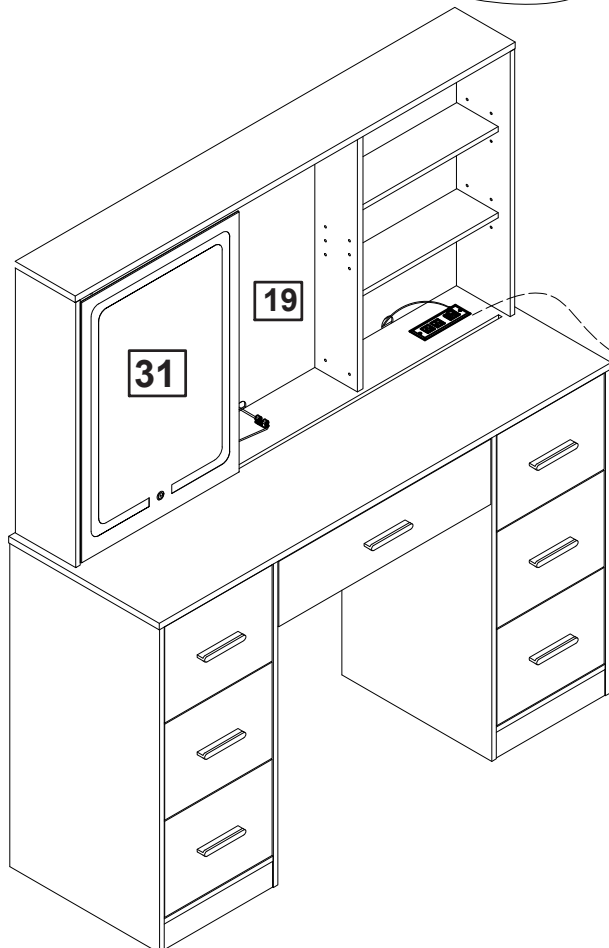
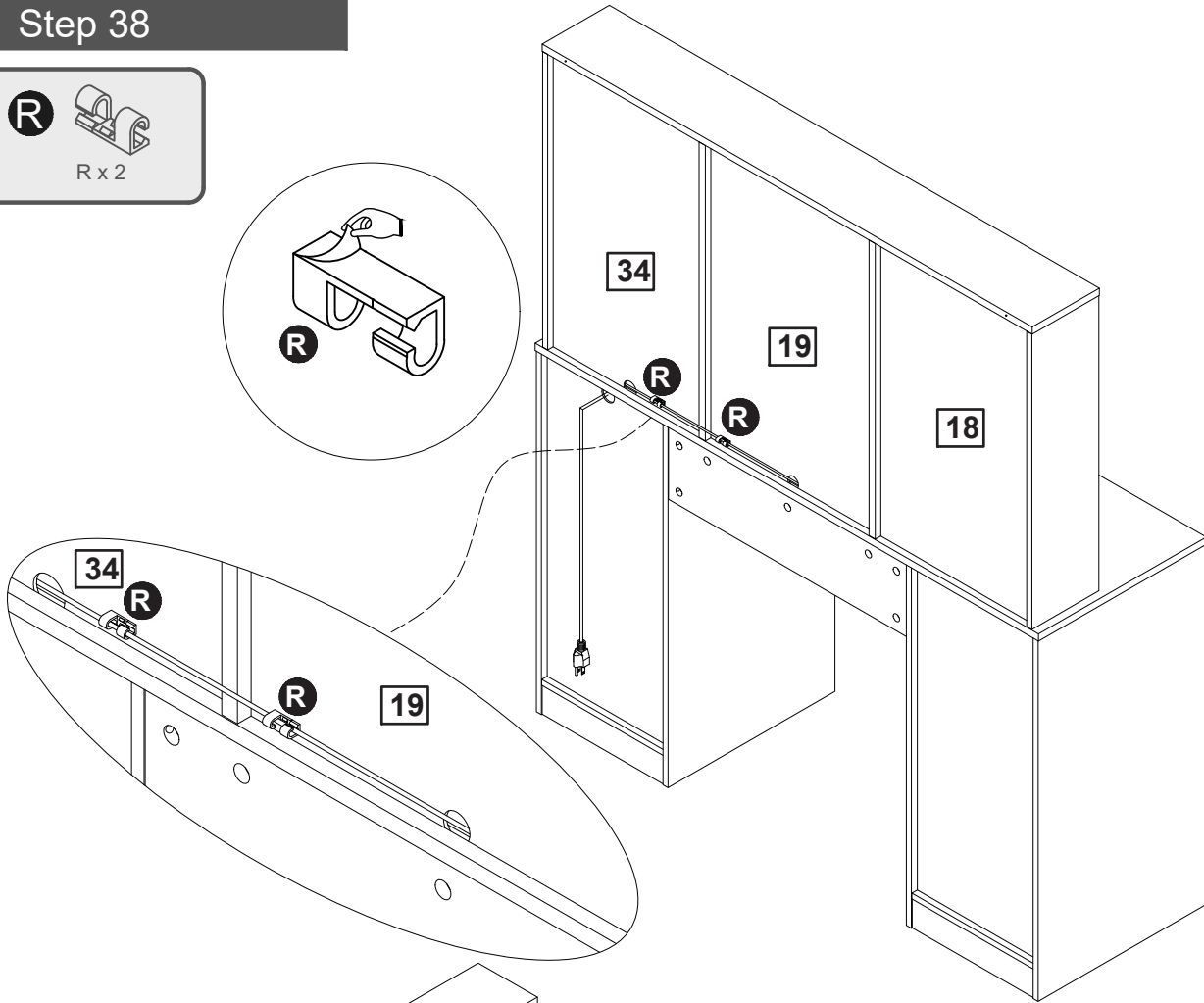
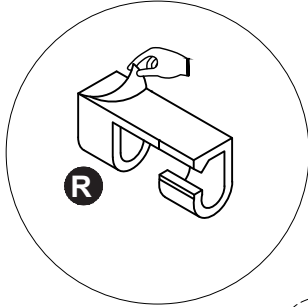


Step 37



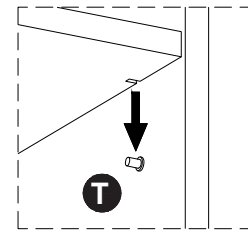
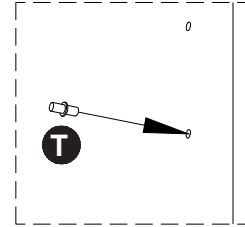
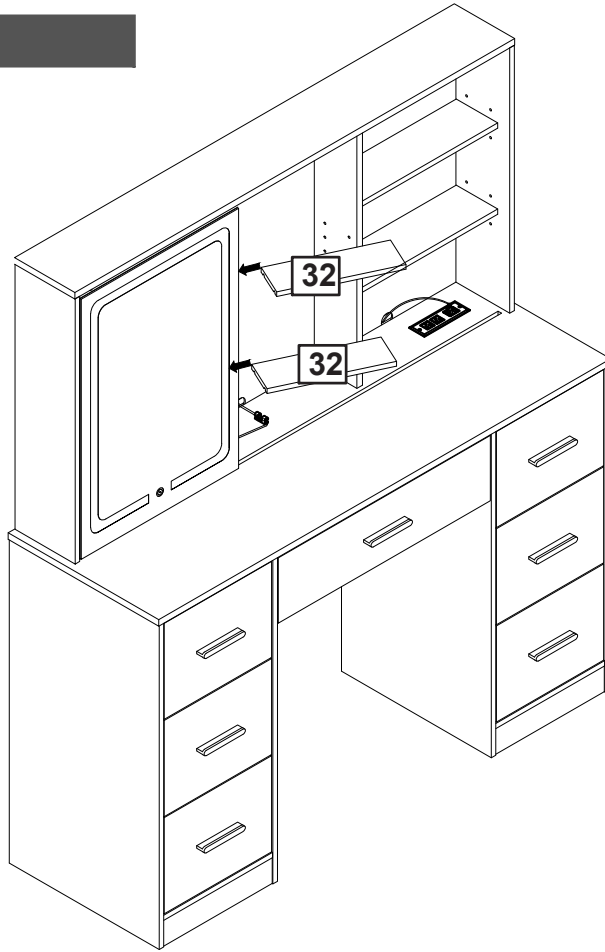
Assembly Instructions

Step 38

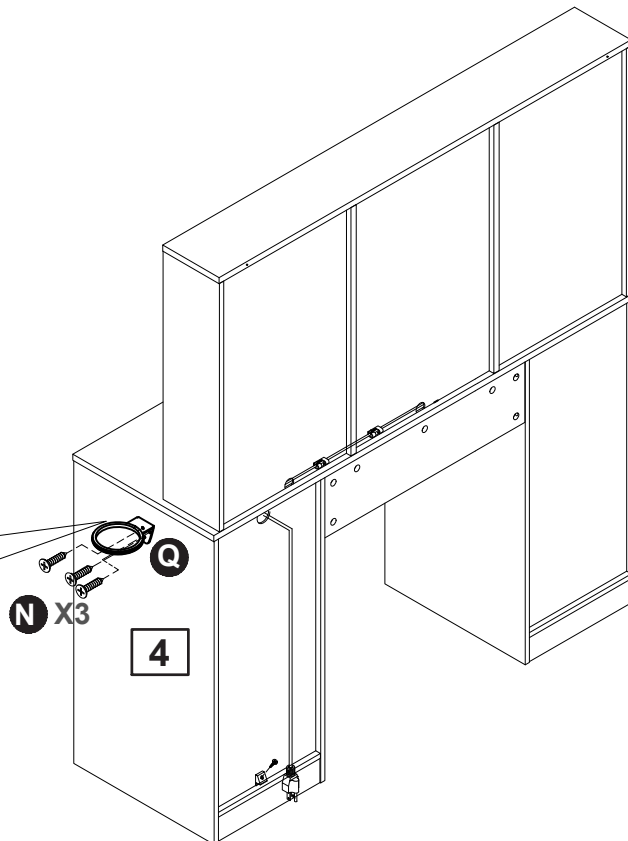
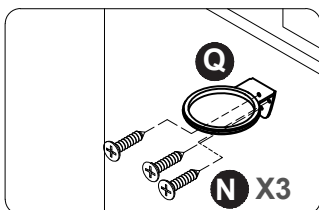
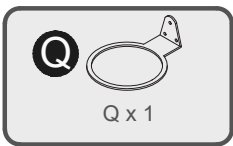


Assembly Instructions

Step 39

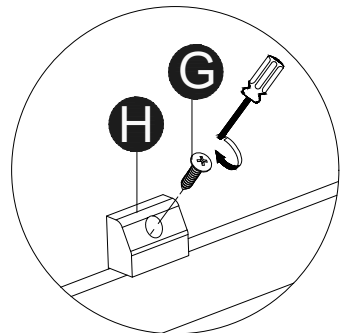
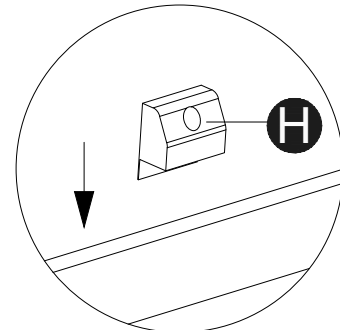
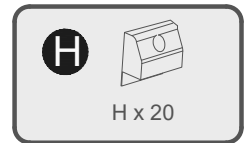
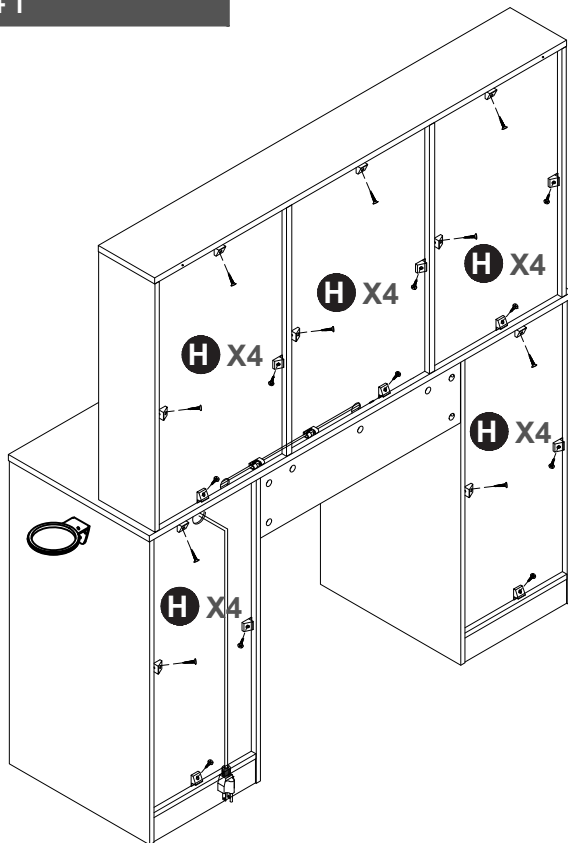


Step 40



Assembly Instructions

Step 41



Step 42

The unit is floor standing, but it is recommended that the unit is secured to the wall.

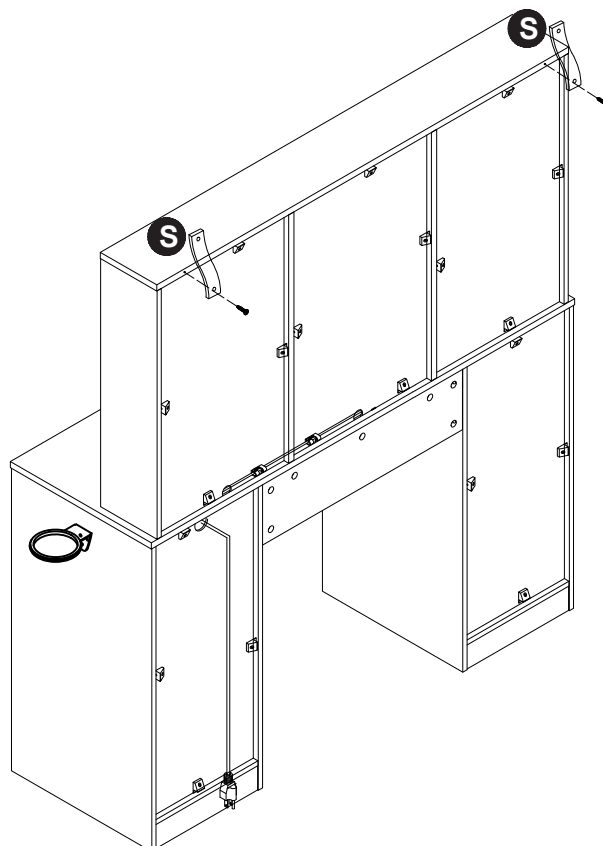
1. Move the unit into desired position.
2. Mark the wall with a suitable scribe the position of the fixing holes.



Warning:
Before drilling, check wall for hidden pipes and cables.

3. Drill holes and insert 2 x wall plug
4. Attach 2 x Wall Straps to the top of the unit using 2 x Washers and 2 x Screws
5. Secure the straps to the wall using 2 x Washers and 2 x Screws

Note: To hide the straps behind the unit, drill the holes lower than the top of the unit



Assembly Instructions

Step 43

The unit is floor standing, but it is recommended that the unit is secured to the wall.

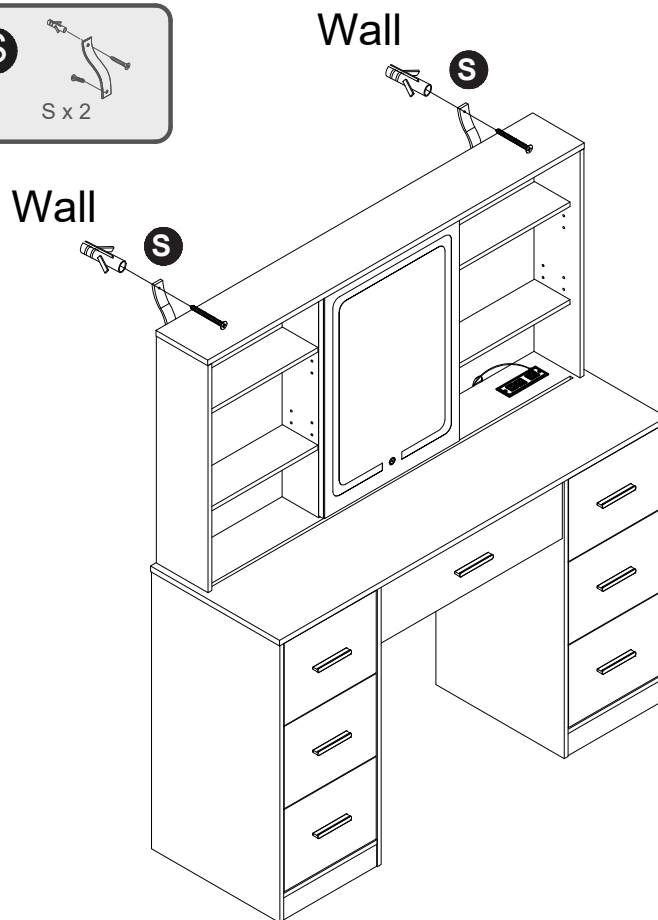
1. Move the unit into desired position.
2. Mark the wall with a suitable scribe the position of the fixing holes.



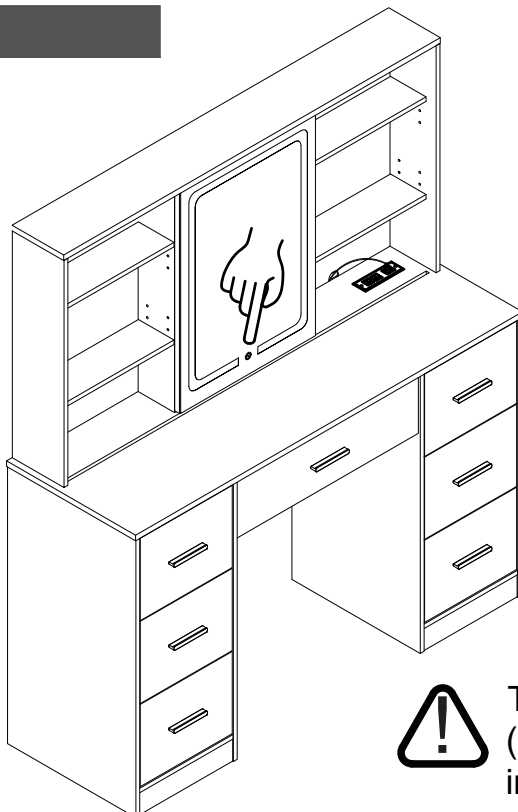
Warning:
Before drilling, check wall for hidden pipes and cables.

3. Drill holes and insert 2 x wall plug
4. Attach 2 x Wall Straps to the top of the unit using 2 x Washers and 2 x Screws
5. Secure the straps to the wall using 2 x Washers and 2 x Screws

Note: To hide the straps behind the unit, drill the holes lower than the top of the unit



Step 44



This nightstand has a smart LED Light (Cold, Natural, Warm) that can be adjusted in 3 colors, a short press to change the color, and a long press to adjust the brightness.

Assembly is complete.

A Guide to Wall Mounting & Fixings

Important note:

If plastic wall plugs (rawl plugs) are supplied with your product, e.g.:



- these are only suitable for use in masonry walls.

If you are in any doubt about the correct wall plugs for your wall, seek professional advice.


Failure of the product due to using the incorrect fixings is the responsibility of the installer.



Important: when drilling into walls always check that there are no hidden wires or pipes etc.

Make sure that the screws and wall plugs being used are suitable for **supporting your unit**. **Consult a qualified tradesperson if you are unsure.**

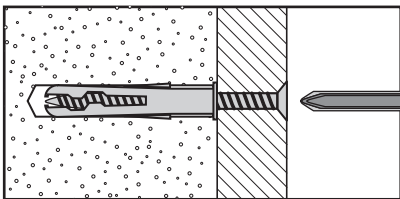
Hints:

- 1: General rule:  always use a larger screw and wall plug if you are not sure.
- 2: Ensure you use the recommended drill bit to match the wall plug and hole size.
- 3: Ensure you drill the hole horizontally; do not force the drill or enlarge the hole.
- 4: Take extra care when drilling high walls, ceilings and ceramic tiles. Ensure wall plugs are inserted beyond the thickness of the ceramic tiles to avoid the tiles splitting or cracking.
- 5: Ensure wall plugs are well fitted and are a tight fit in the drilled hole.

Types of walls

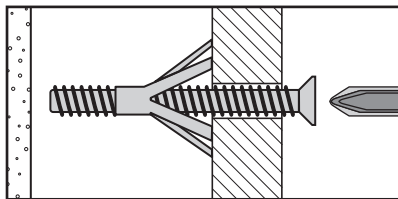
You can use one of the following types of wall plug if your walls are made of brick, breeze block, concrete, stone or wood.

No.1 "General Purpose" wall plug



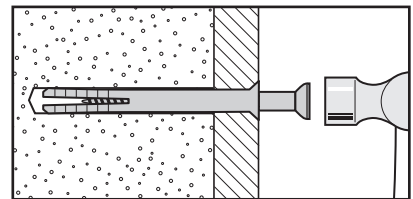
Generally aerated blocks should not be used to support heavy loads, use a specialist fitting in this case. For light loads, general purpose wall plugs can be used.

No.3 "Cavity Fixing" wall plug



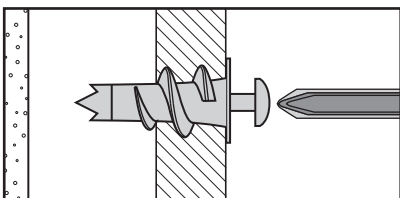
For use with plasterboard partitions or hollow wooden doors.

No.5 "Hammer Fixing" wall plug



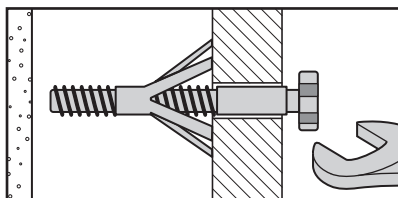
For use with walls stuck with plasterboard. The hammer fixing allows it to be fixed to the wall rather than the plasterboard. Always check the fixing is secure to the retaining wall.

No.2 "Plasterboard" wall plug



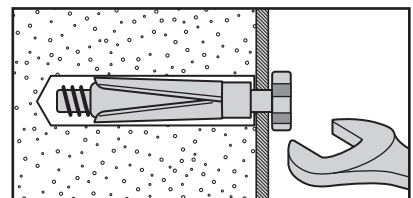
For use when attaching light loads onto plasterboard partitions.

No.4 "Cavity Fixing - Heavy Duty" wall plug



For use when fitting or supporting heavy loads such as shelving, wall cabinets and coat racks.

No.6 "Shield Anchor" wall plug - heavy loads



For use with heavier loads such as TV and HiFi speakers and satellite dishes etc.



Care & Maintenance

Safety: always check the fitting and location to ensure your safety in and around the home.

Fitting: from time to time check the fitting to ensure the wall plugs or screws do not become loose.