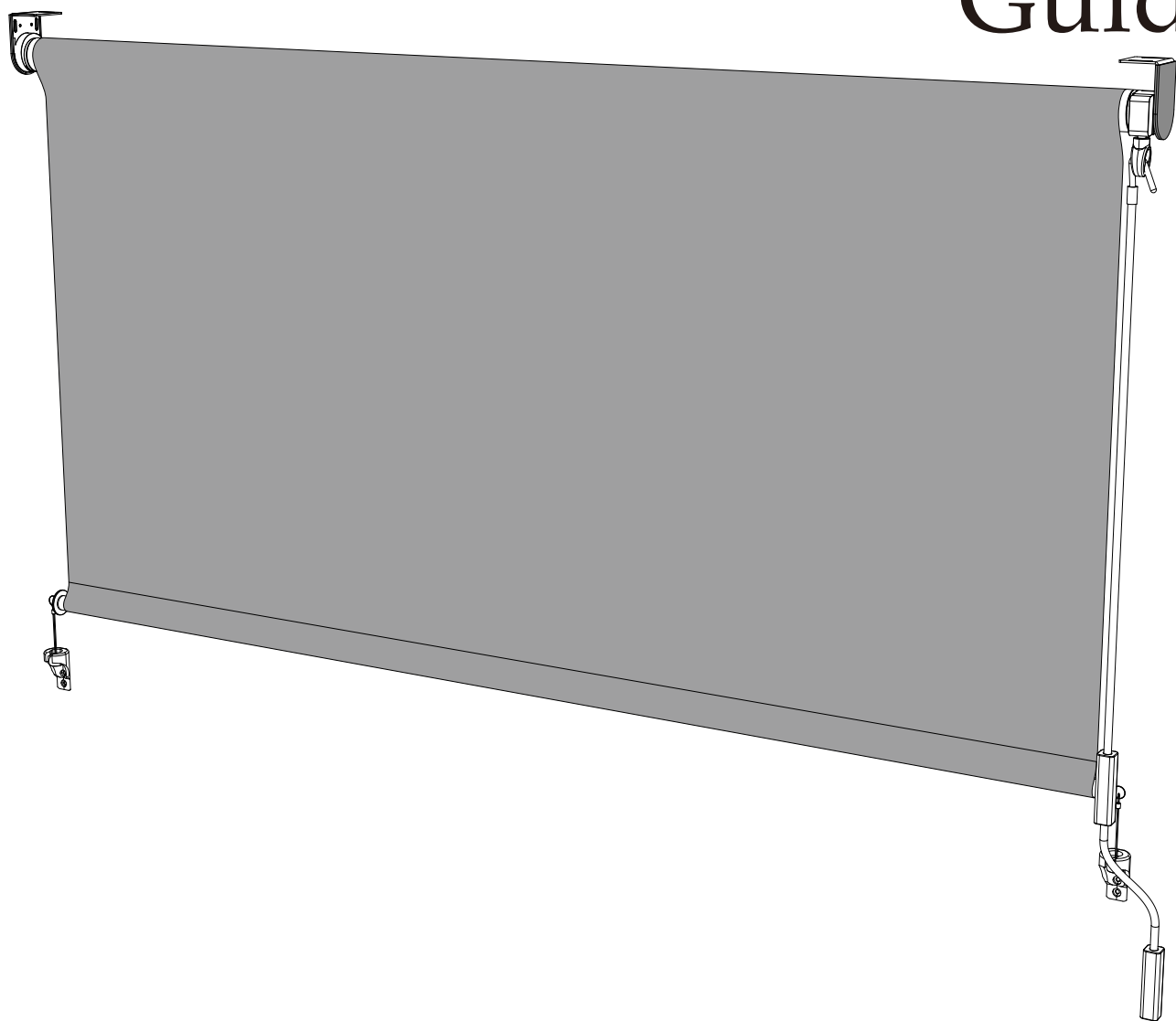


# Assembly & Instruction Manual

# R

## oller Shade Installation Guide



Approximate  
assembly time: **30 Minutes**

People  
for assembly:



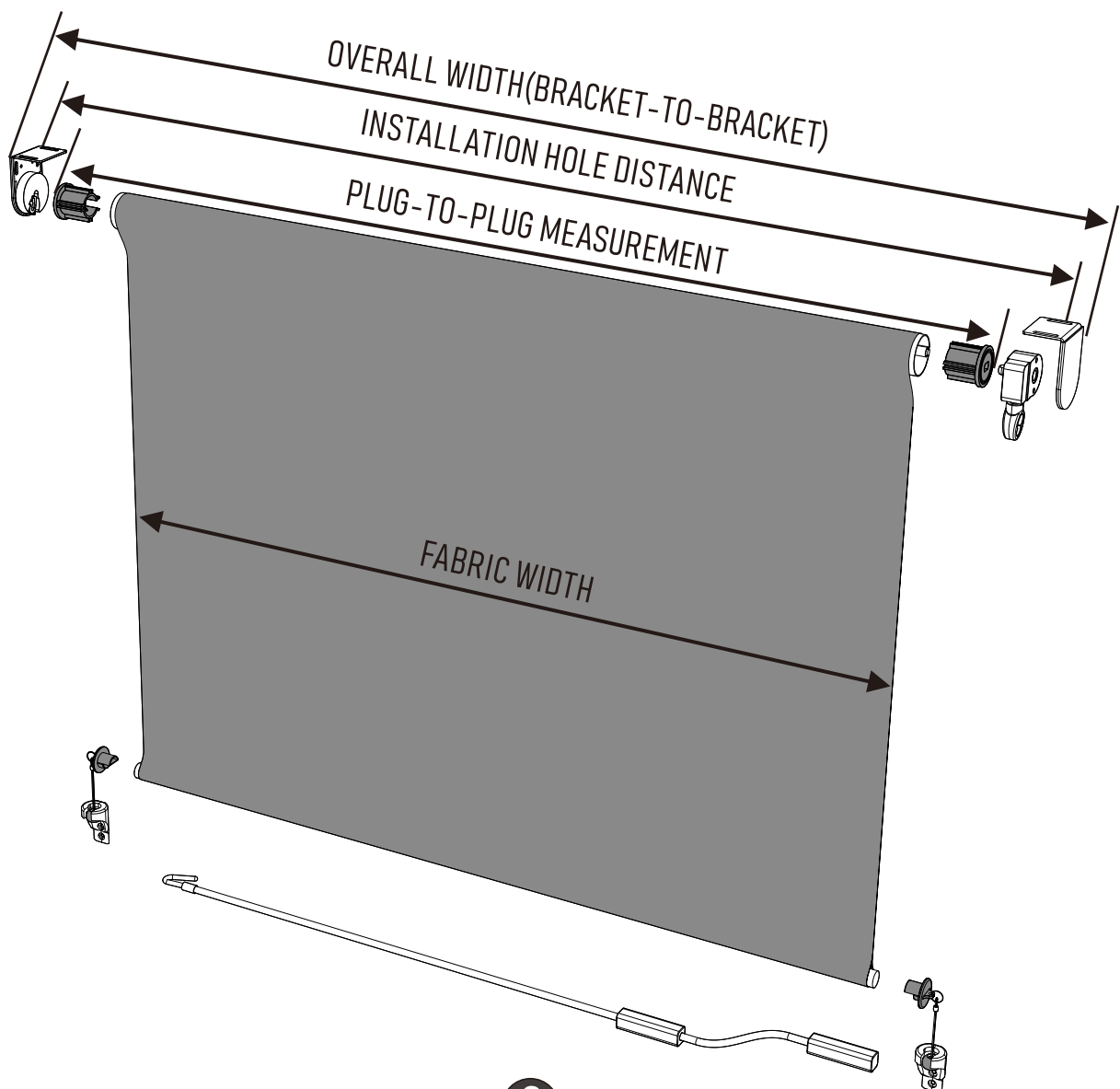
Save this manual for future reference

# Assembly

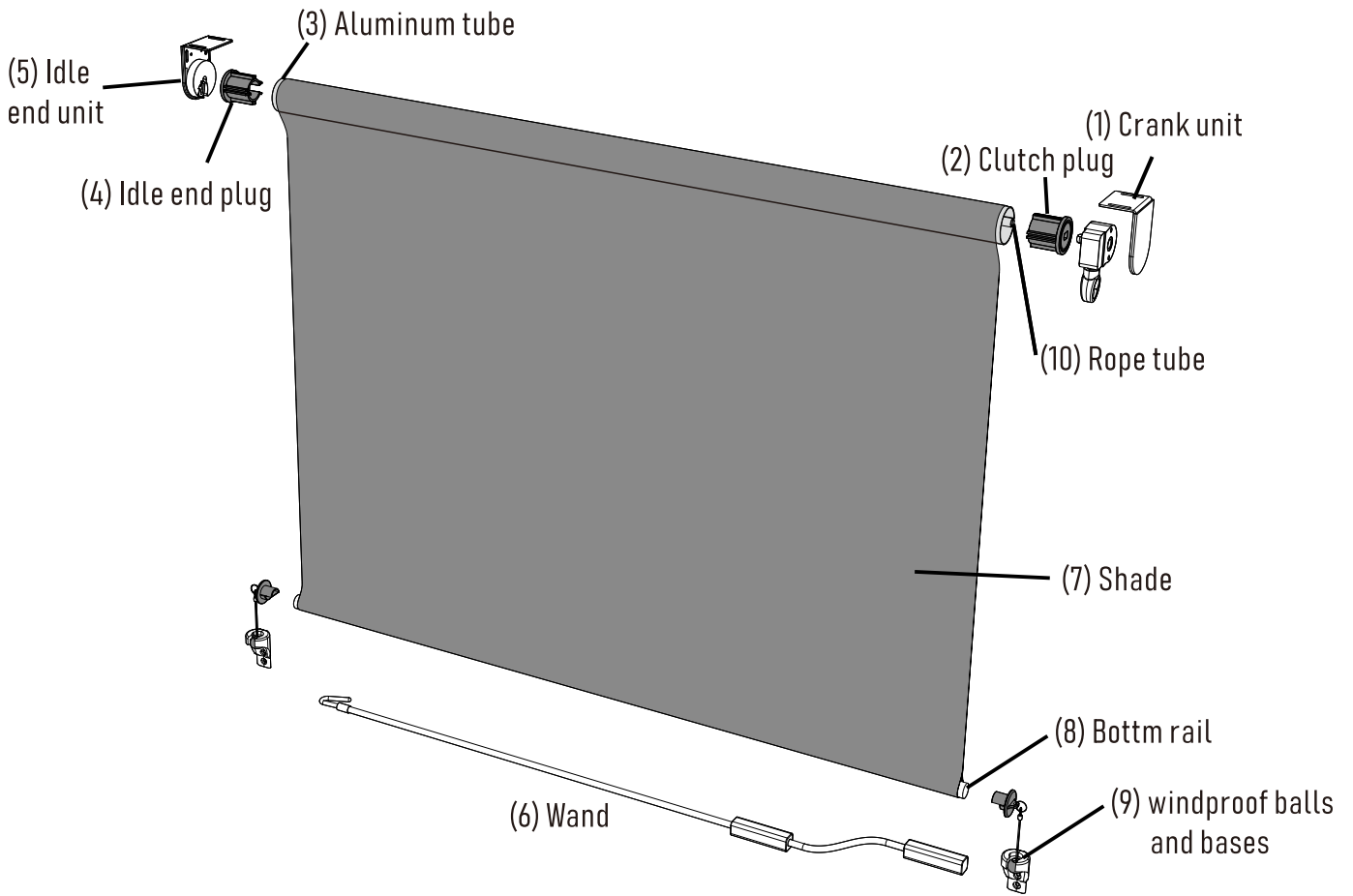
## MARK THE HOLES


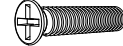

**A.** For stock Shades, use the chart to determine the placement of your screws.

	SIZE	FABRIC WIDTH	PLUG-TO-PLUG MEASUREMENT	INSTALLATION HOLE DISTANCE	OVERALL WIDTH (BRACKET-TO-BRACKET)
	Roller Shade 4'x8'	1155mm/45.47inch	1170mm/46.06inch	1180mm/46.45inch	1225mm/48.23inch
	Roller Shade 5'x8'	1515mm/59.65inch	1530mm/60.23inch	1540mm/60.63inch	1585mm/62.40inch
	Roller Shade 6'x8'	1825mm/71.85inch	1840mm/72.44inch	1850mm/72.83inch	1895mm/74.60inch
	Roller Shade 7'x8'	2125mm/83.66inch	2140mm/84.25inch	2150mm/84.64inch	2195mm/86.41inch
	Roller Shade 8'x8'	2265mm/96.17inch	2280mm/89.76inch	2290mm/90.16inch	2335mm/91.93inch



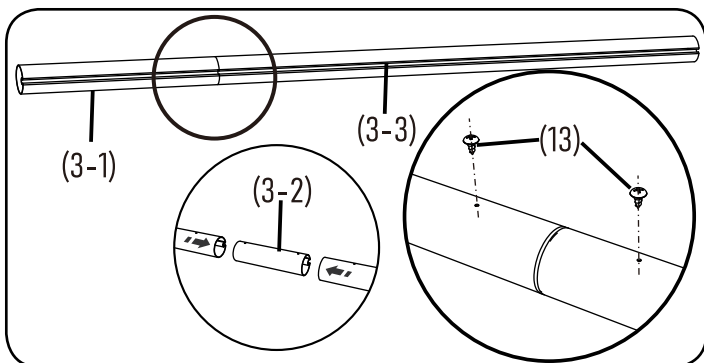
# PARTS LIST



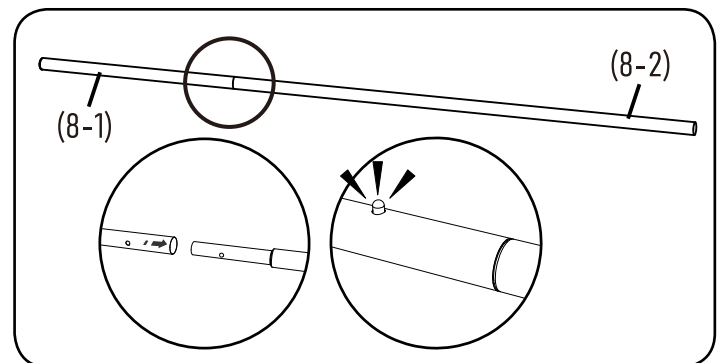
PARTS LIST		QTY	PARTS LIST		QTY	PARTS LIST		QTY
1	Crank unit	1	6	Wand	1	11		8
2	Clutch plug	1	7	Shade	1	12		2
3	Aluminum tube	1	8	Bottom rail	1	13		2
4	Idle end plug	1	9	Windproof balls and bases	2			
5	Idle end unit	1	10	Rope Tube	1			

## NOTE:

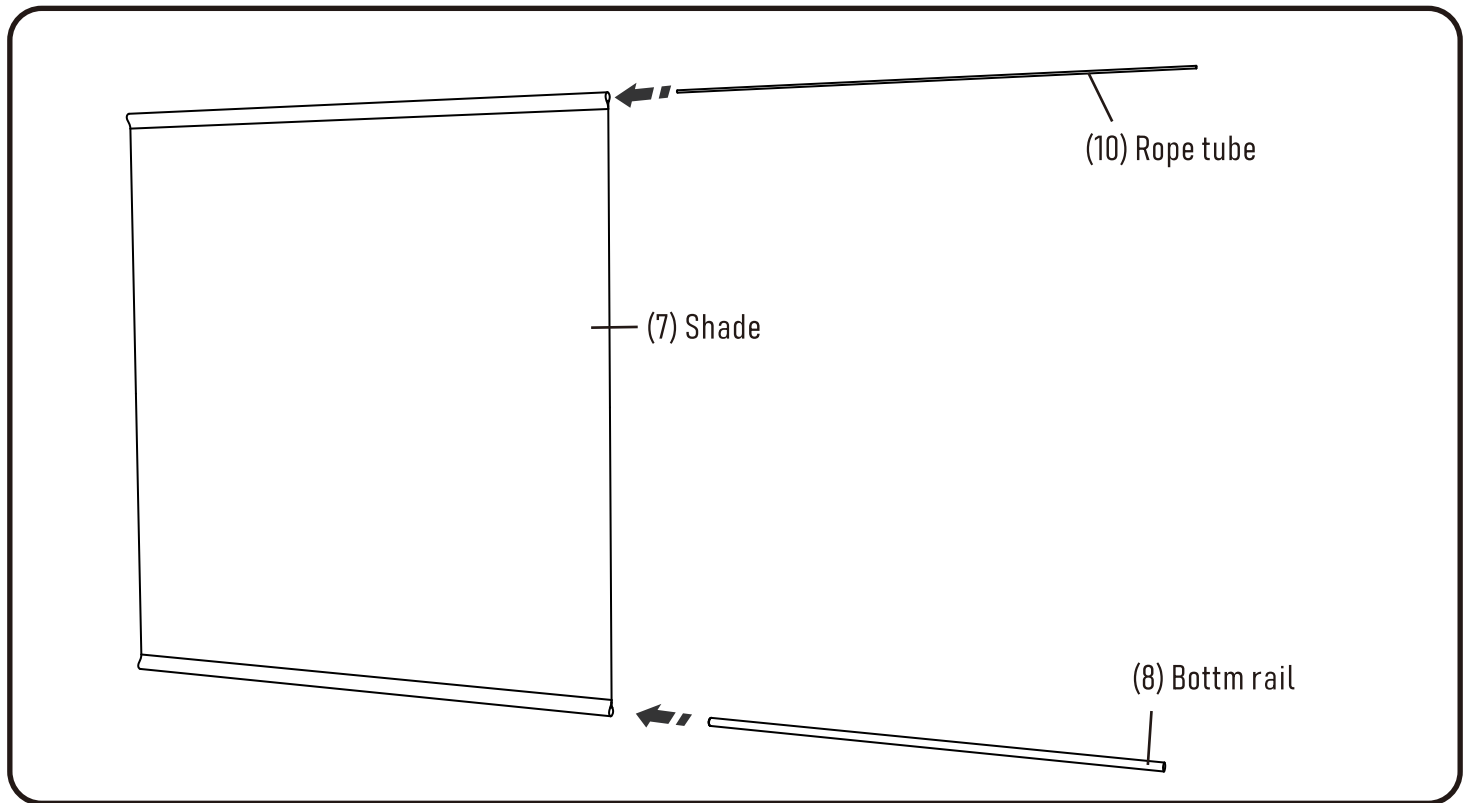
(3) Aluminum tube:



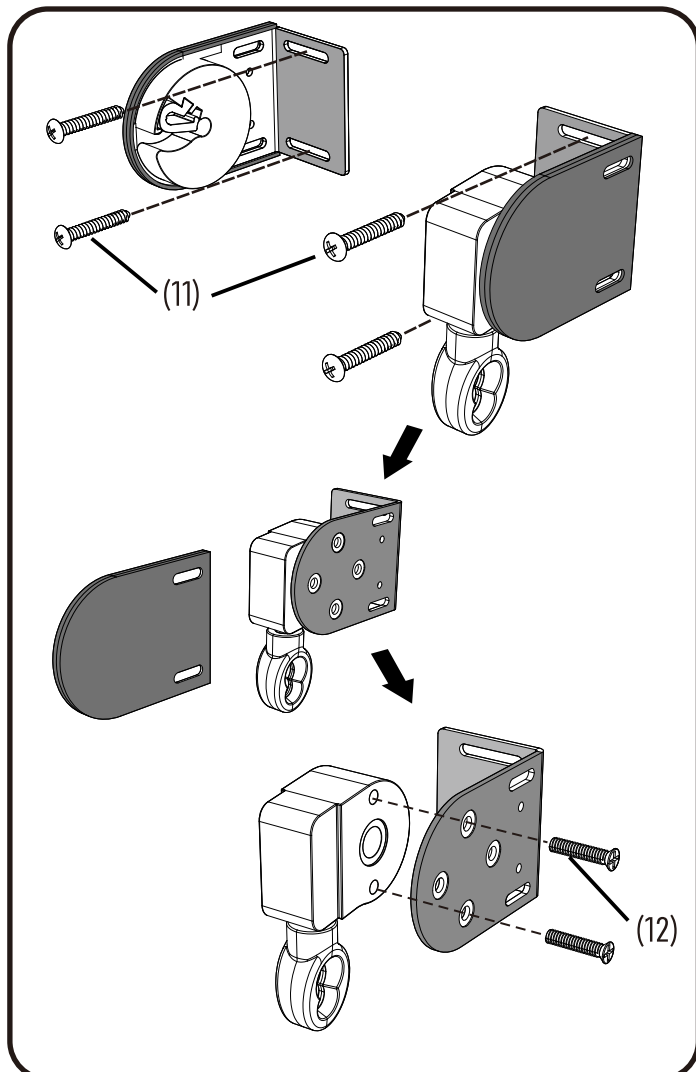
(8) Bottom rail:



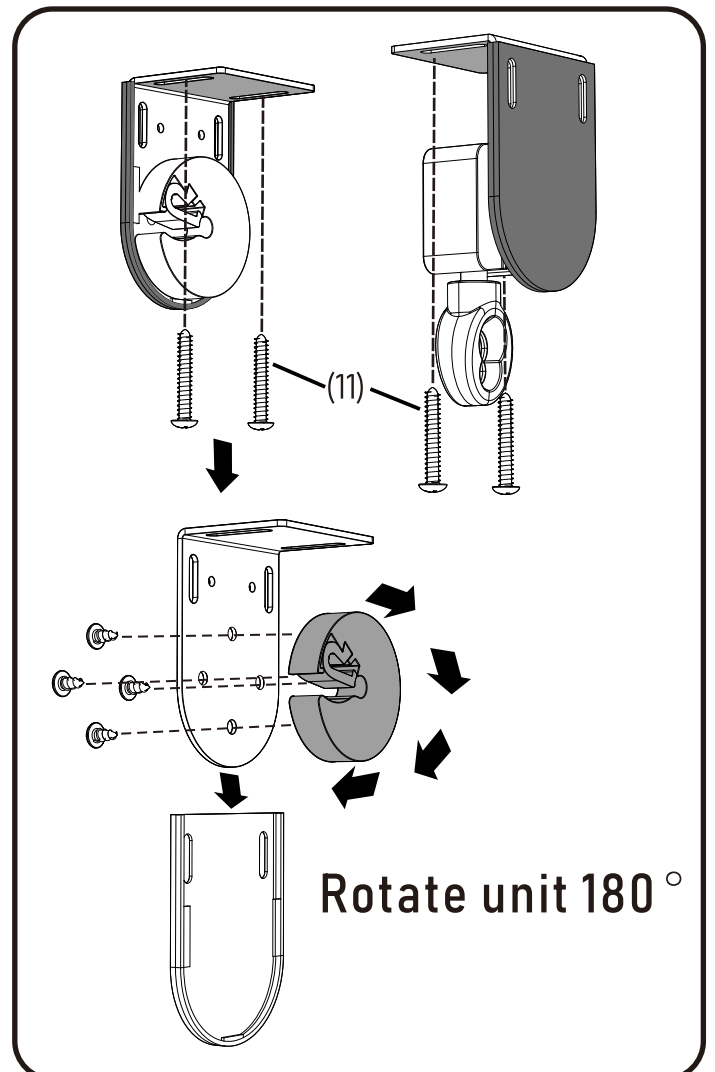
# Assembly



## STANDARD-WALL MOUNT



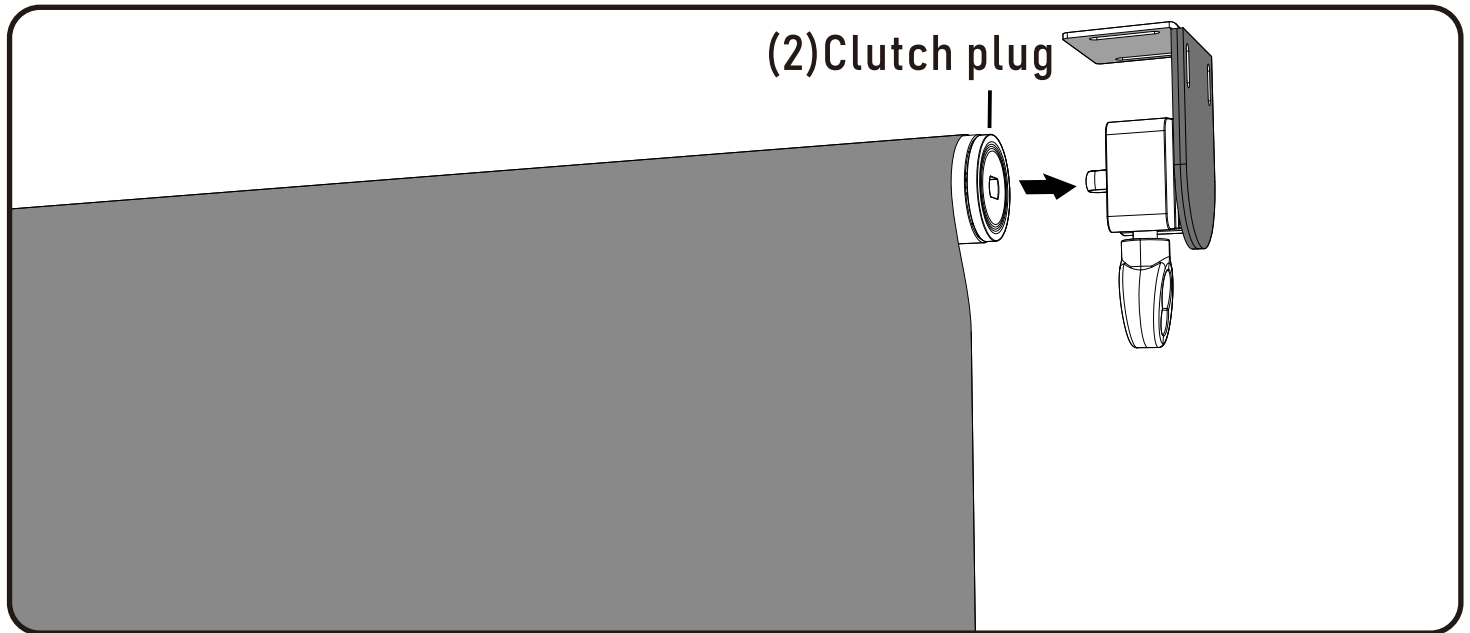
## STANDARD-TOP MOUNT



# Assembly

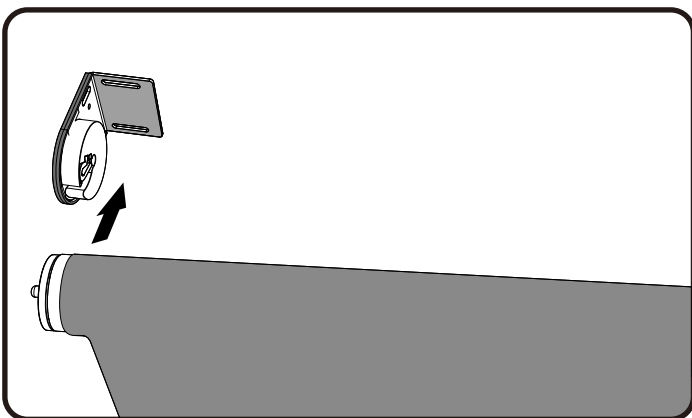
## UNIVERSAL

First , insert the Clutch plug into the Crank unit

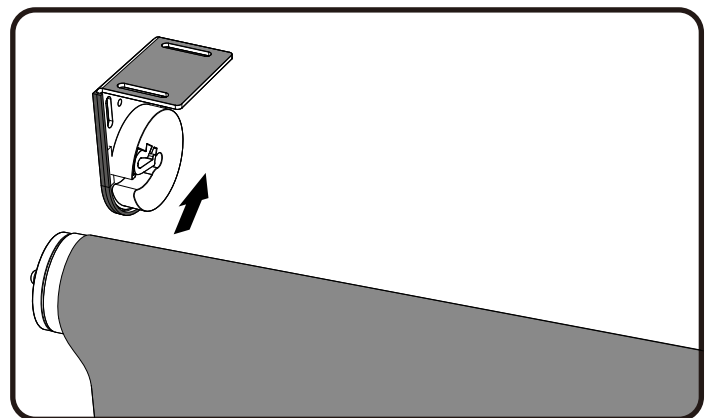


Insert the Idle end plug into the Idle end unit, and snap the Idle end plug securely into place With the Shade in place, adjust the brackets so they fit snugly on each end of the Shade.

## STANDARD-WALL MOUNT



## STANDARD-TOP MOUNT



# Assembly

