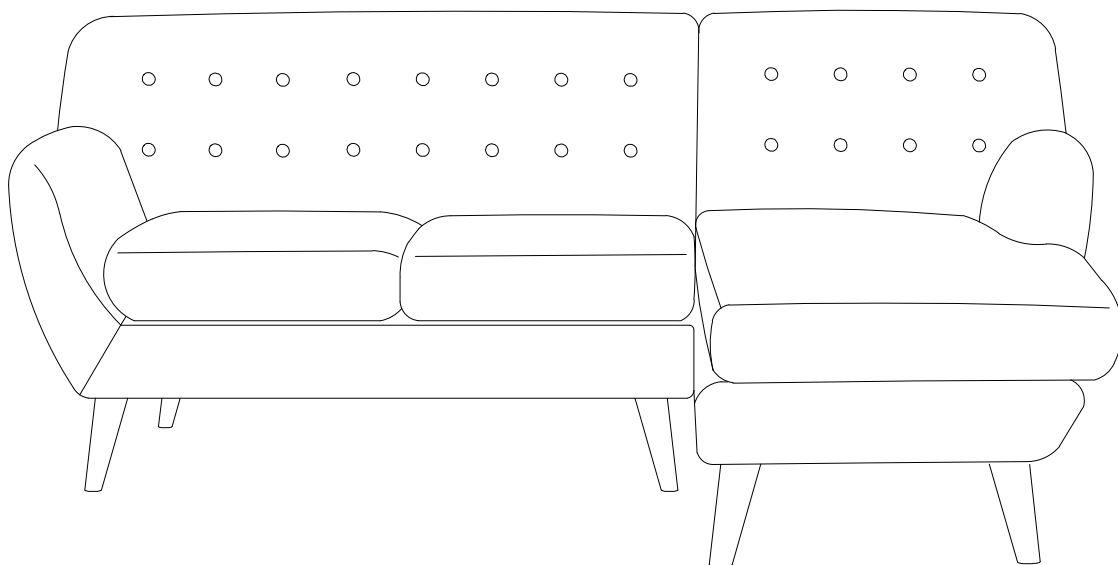
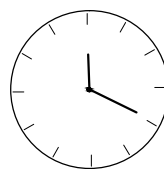
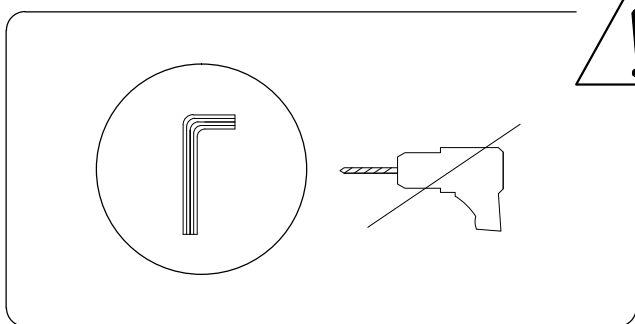
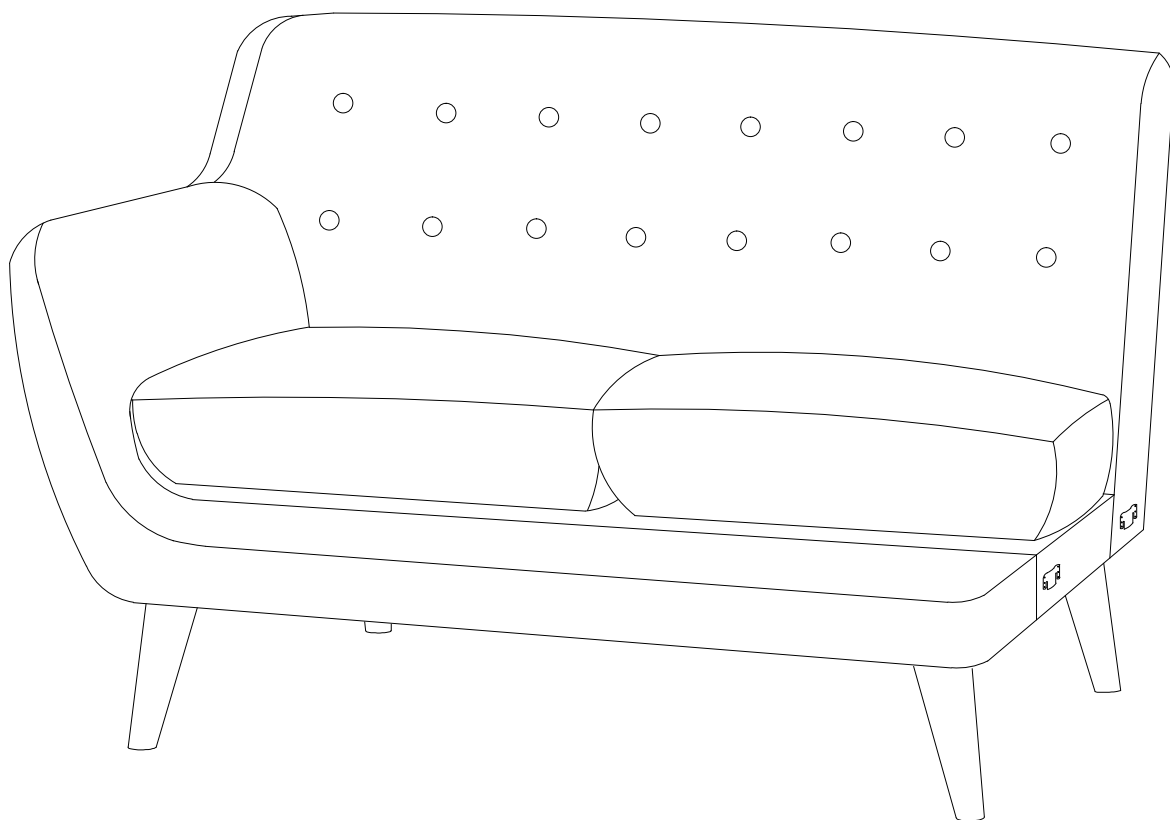


A

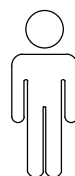
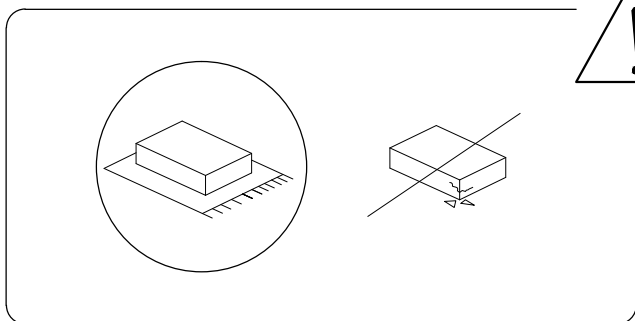
B



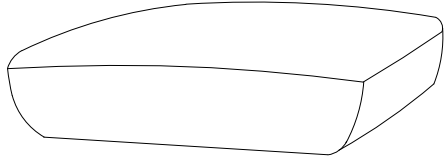
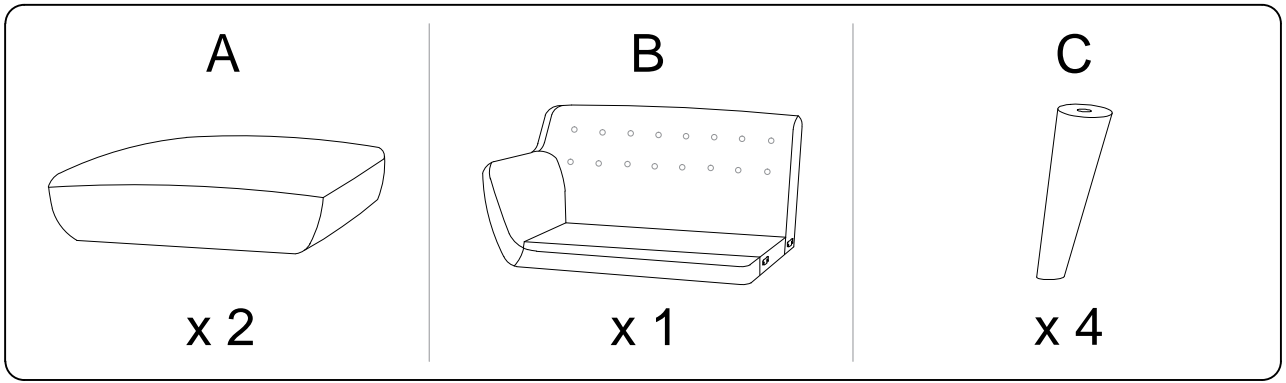
A



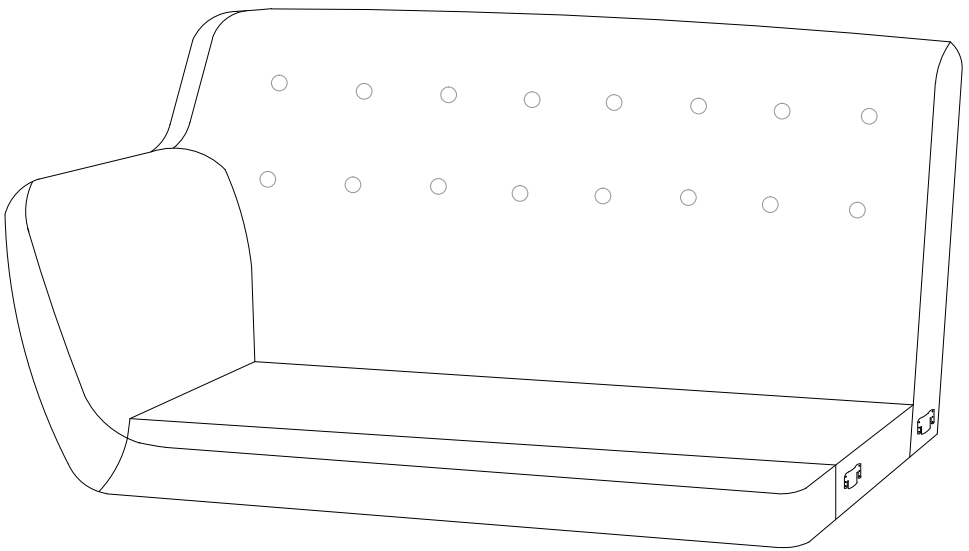
20'



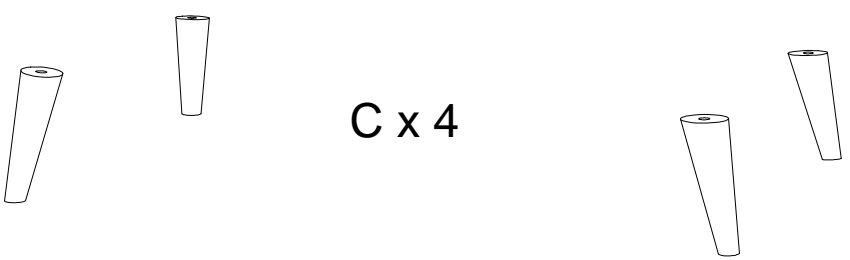
1



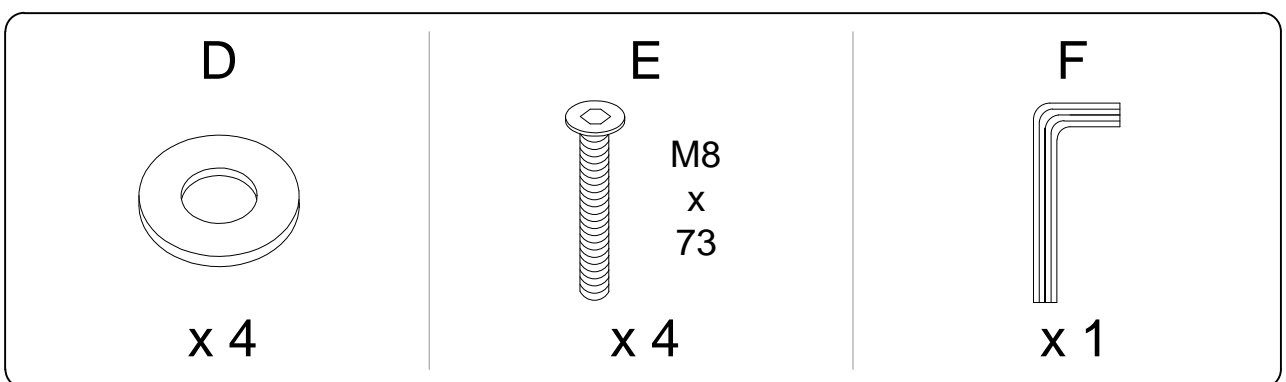
A x 2



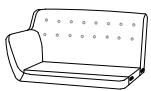


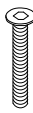
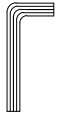
B

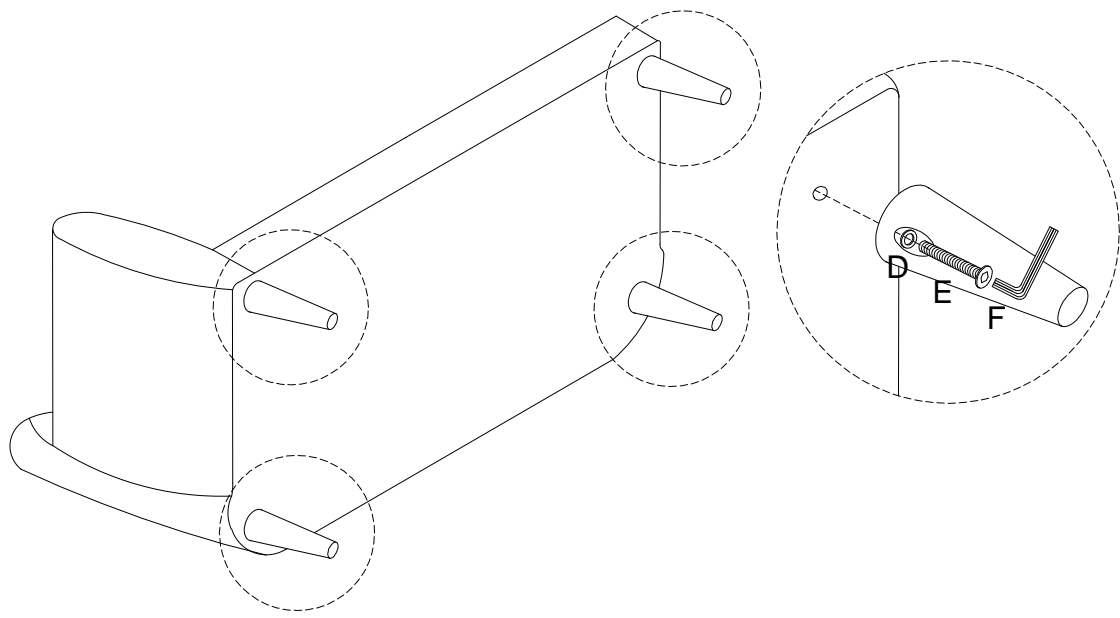


C x 4




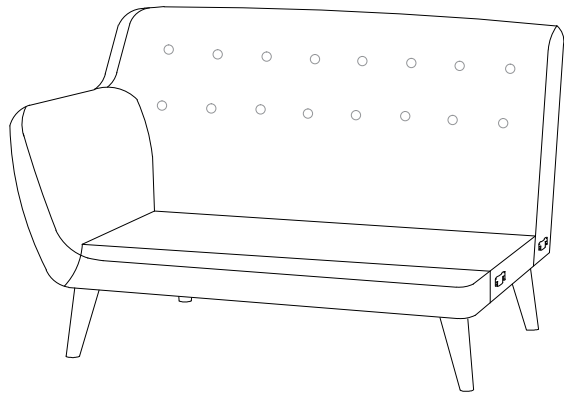
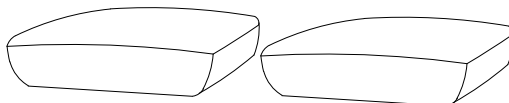
1

B  x 1	C  x 4	D  x 4	E M8 x 73  x 4	F  x 1
--	--	--	---	--

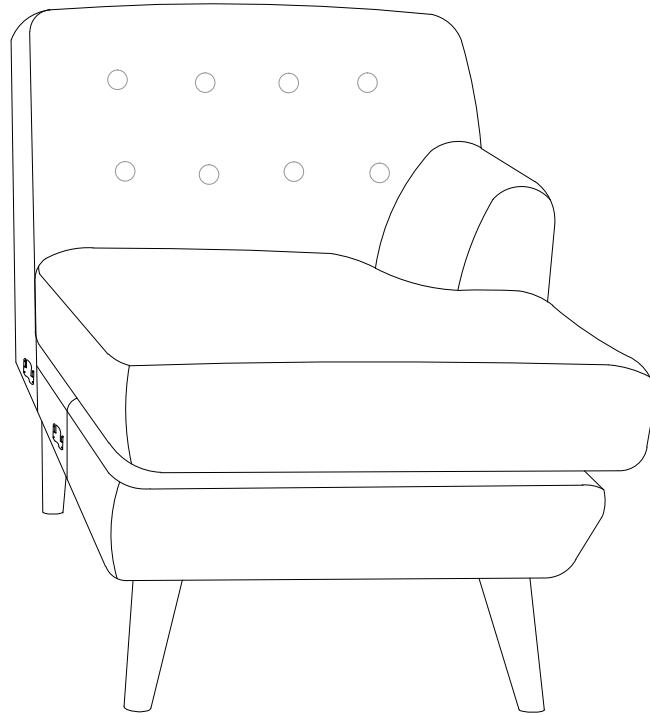


2

A

x 2



B



Two warning icons, each a triangle with an exclamation mark, are positioned vertically. The top one is connected to the top warning box, and the bottom one is connected to the bottom warning box.

A rectangular box containing two icons: an L-shaped corner bracket on the left and a power drill with a diagonal slash through it on the right, indicating that a power drill should not be used for this step.

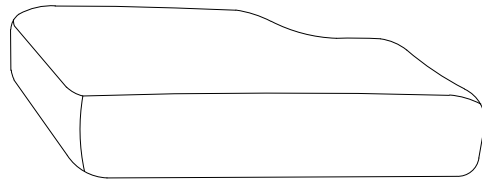
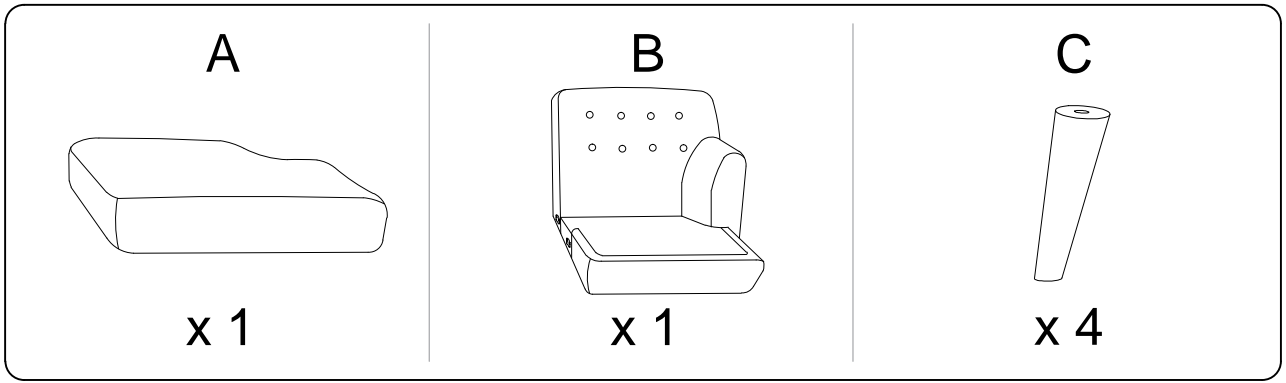
A simple line drawing of a clock face with tick marks around the perimeter and two hands.

20'

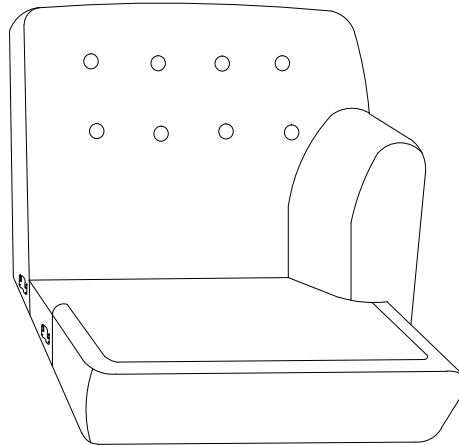
A rectangular box containing two icons: a block being placed on a surface with a diagonal line on the left, and a block being placed on a surface with a diagonal slash through it on the right, indicating that the block should not be placed on the surface.

A simple line drawing of a person standing, used to indicate the number of people required for the step.

1



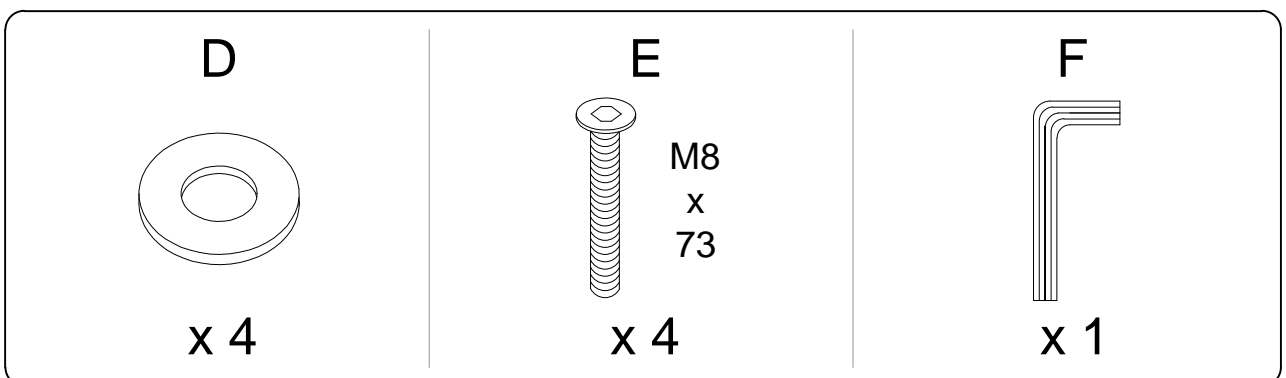
A



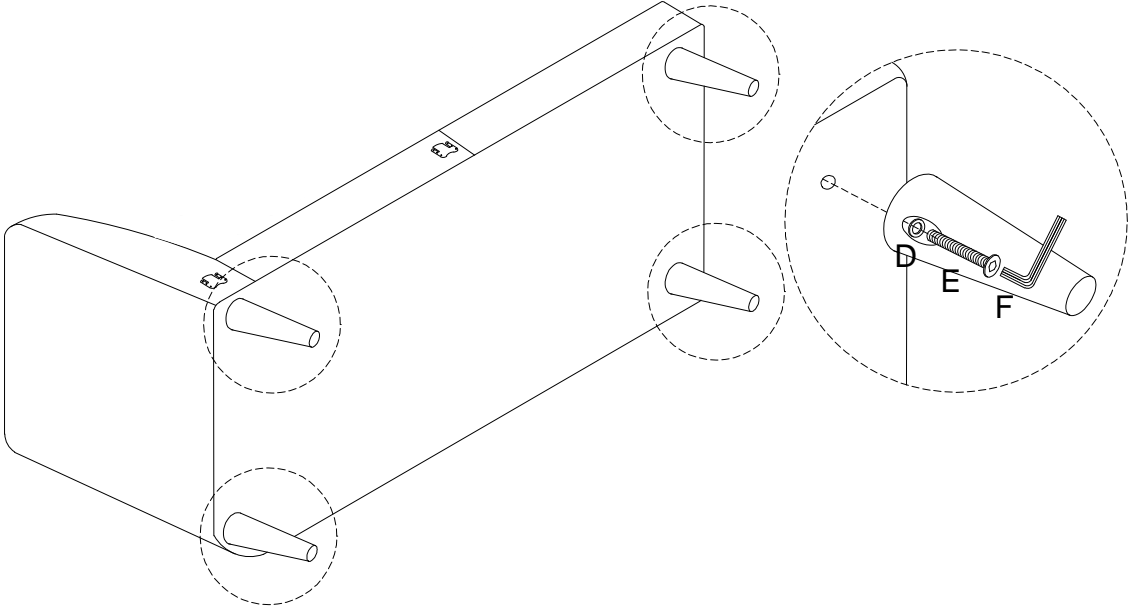
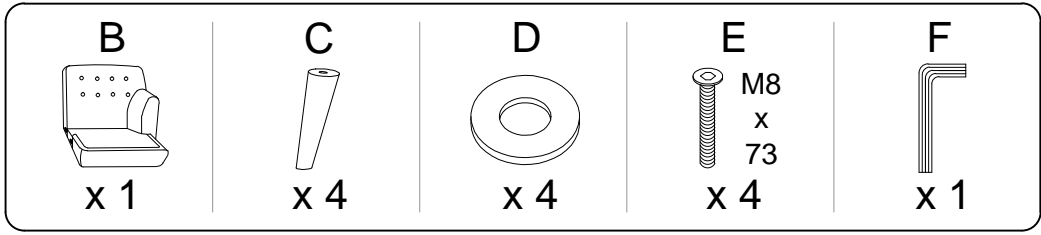
B



C x 4



1



2

