

15 : 00

---

estimated assembly



2 or more

---

people required

Ok, let's  
get started!



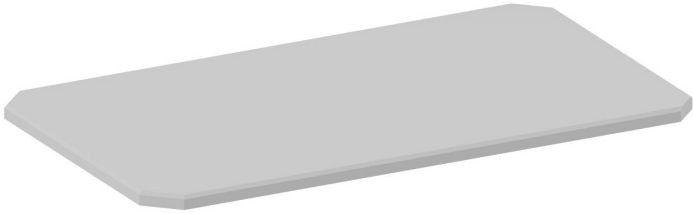
- Put on mood music!
- To prevent damage to product, use the clean side of package carton or rug as working surface.
- In the event of missing or damaged parts, delivery problems etc., please reach out to our team. We will be happy to fix the problem!

# care guide

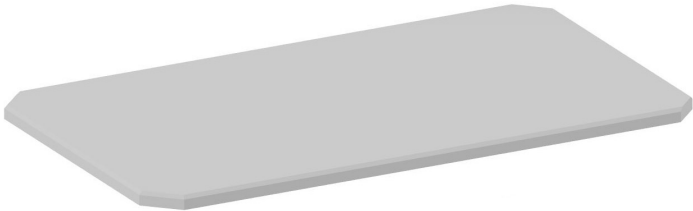
- Clean regularly with a soft and dry cloth.
- To protect finish, avoid use of abrasive cleaners.
- Wipe up spills immediately. Please!



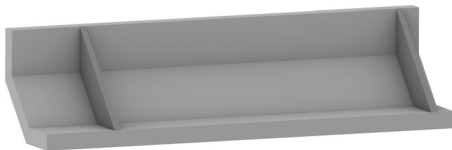
# product parts



(A)  
Table Top



(B)  
Shelf



(C)  
Table legs  
x4

# what's included



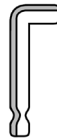
(D)- Allen Bolt  
(6 x 30mm)  
x16



(E)- Plain Washer  
x16



(F)- Lock Washer  
x16



(G)- Allen Key  
x1

WS

White sticker

GS

Green sticker

OS

Orange sticker

YS

Yellow sticker

## assembly instructions

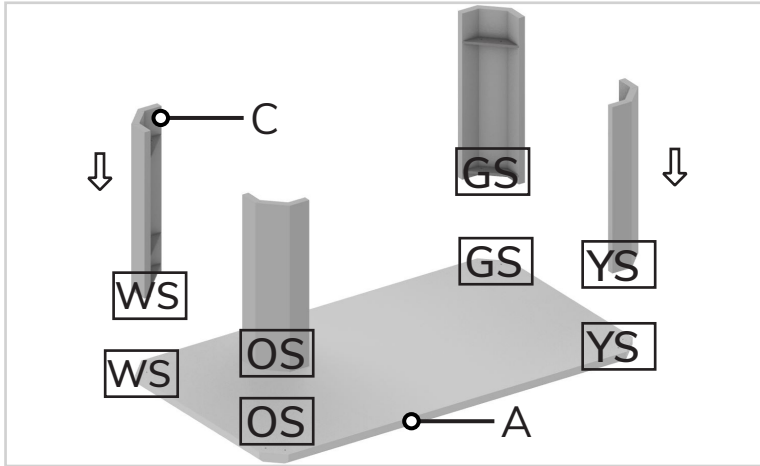
Friendly Tip: Take a deep breath going in. This may be a tricky part, but nothing too overwhelming. Just follow these steps to the T and the outcome will be worth it!



- ⓘ While assembling the product, tighten the bolts up to 50%. Once all parts are in place, only then fully tighten the bolts.

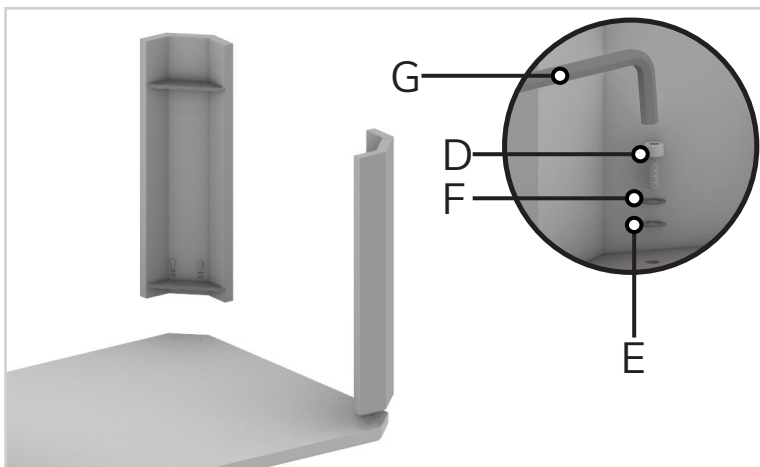
## step 1:

Start by placing the tabletop (A) upside down on a flat surface. Now, turn the legs (C) upside down and align them with the slots on the table. Place them in such a way that the orange (OS), yellow (YS), white (WS) & green (GS) stickers match with their respective others.



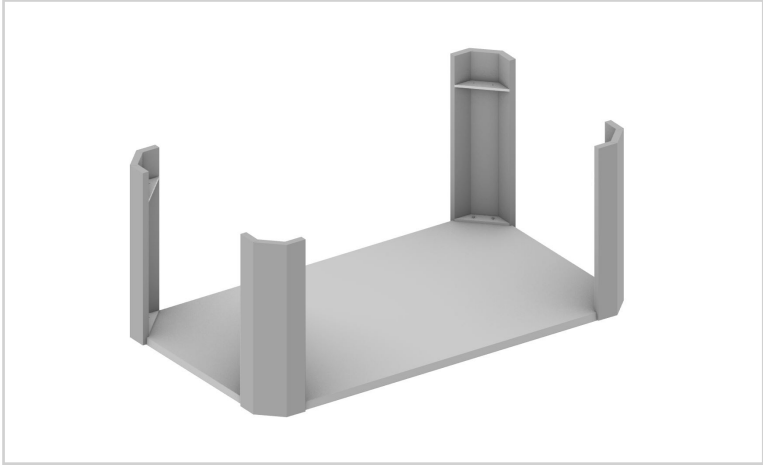
## step 2:

Next, fix the legs (C) to the top (A) by inserting the washer (E), lock washer (F), and bolts in the given slots. Tighten the bolts up to 50% using allen key (G). Use the image below as reference.



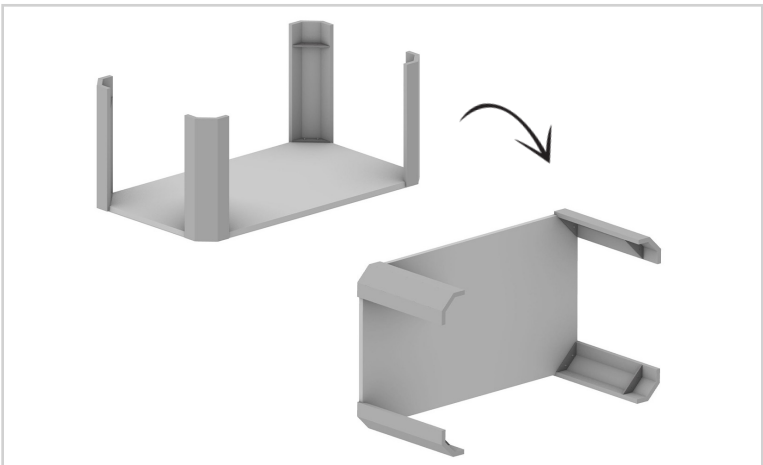
step 3:

Repeat the steps with remain legs.



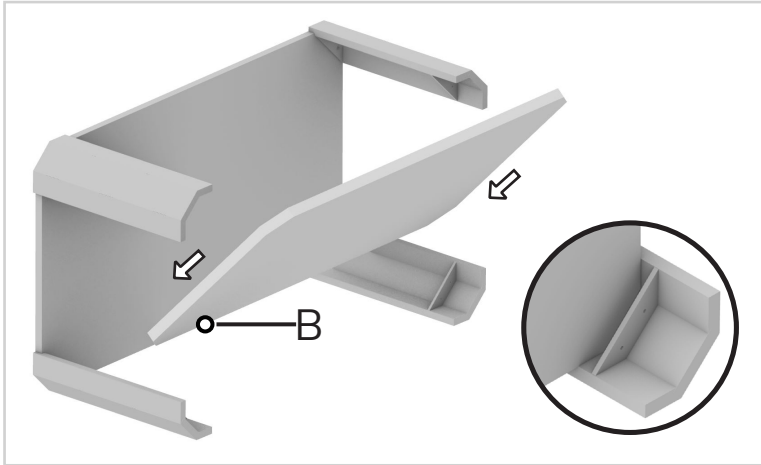
step 4:

When done, turn the table sideways as shown in the image below.



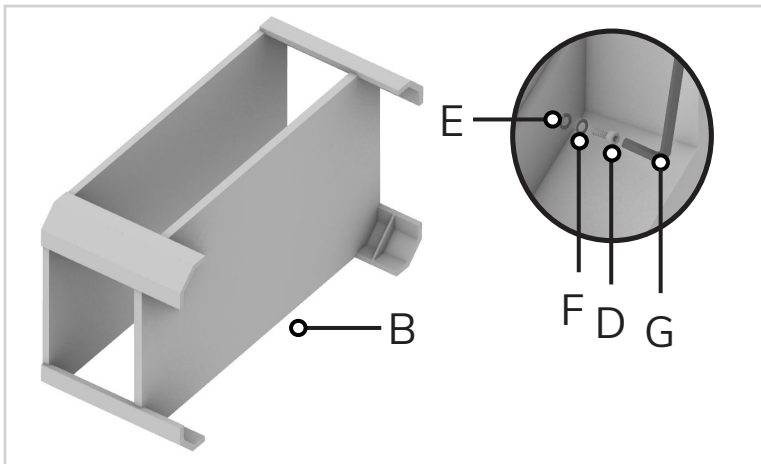
## step 5:

Taking the image below as reference, take the shelf (B), tilt it diagonally, slide it between the legs of the table touching the ground, and place it firmly over the cut-out planks.



## step 6:

Similarly, align it on the other side and then fix the shelf to the legs using washer (E), lock washer (F), and bolts (D). Then, tighten all the bolts fully using allen key (G).



**Voila! Your coffee table is now assembled and secure!**

you've  
got  
a home  
with us

