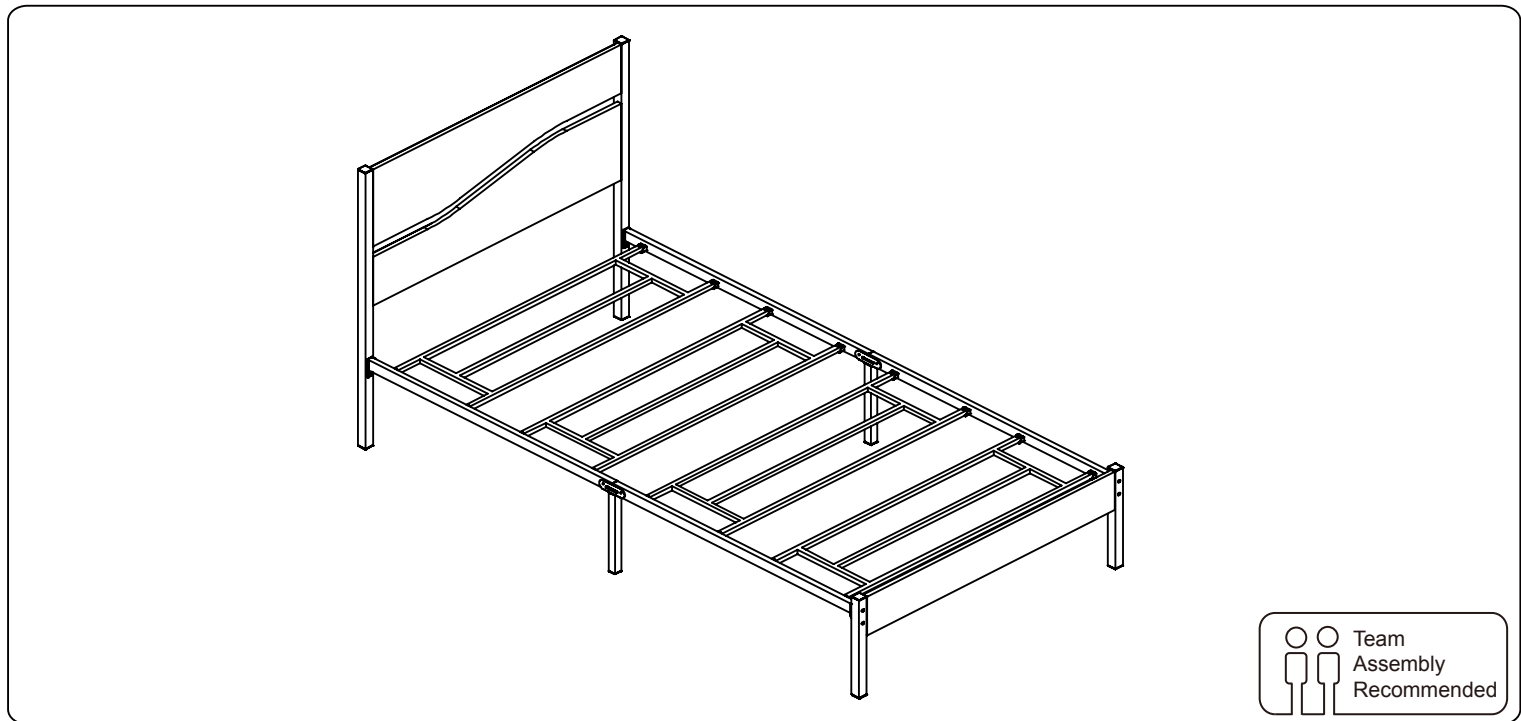


Bed Frame Installation Manual



Componets		Screws & Tools	
	1 X1	(A)	M8x45mm x4
	2 X1	(B)	M6x25mm x24
	3 X2	(C)	M6x20mm x16
	4 X1	(L)	M8 x8
	5 X1	(M)	M6x20mm x4
	6 X1	(N)	M4 x2
	8 X4		
	10 X2		

1

Note: For easy setup intention, do not tighten screws during the installation process

(B) M6x25 8pcs (N)

2

(B) M6x25 12pcs (N)

