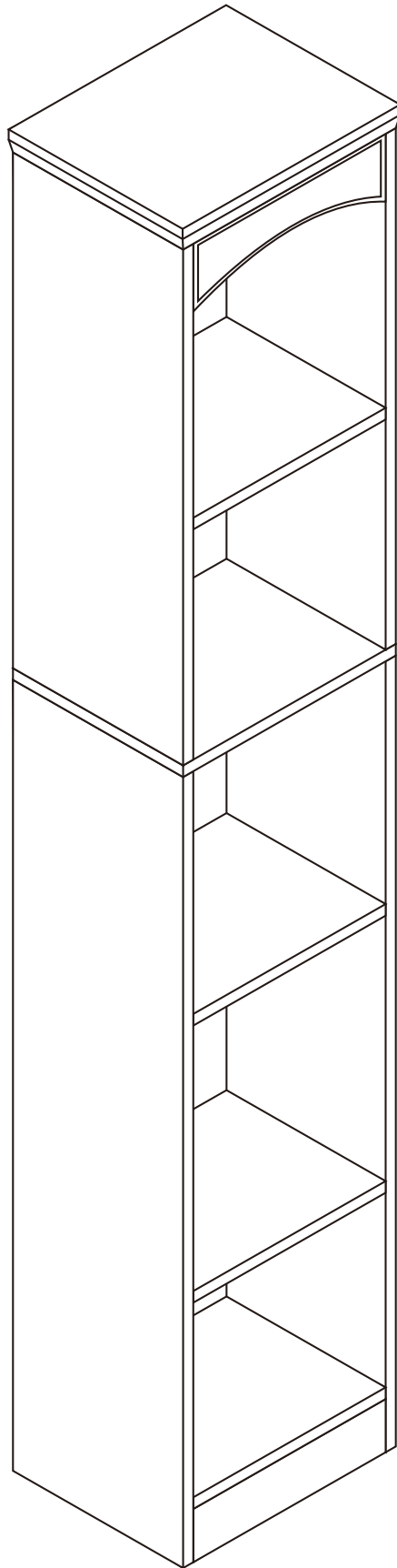


# Assembly Instructions



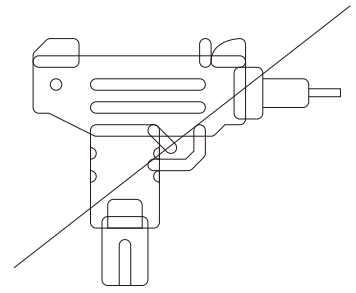
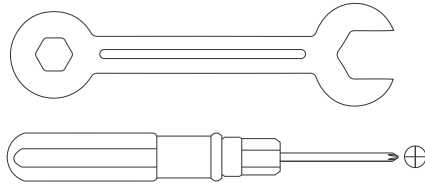
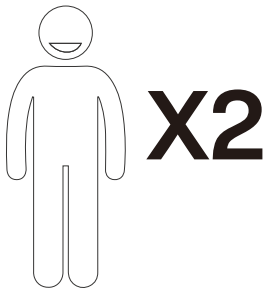
# Contact Us

## We're here to help you.

Your satisfaction is our top priority. If you encounter any issues with this product, such as missing or damaged parts, we're here to help. Please retain the original packaging and take photos of the packaging and the product, then contact us as soon as possible.

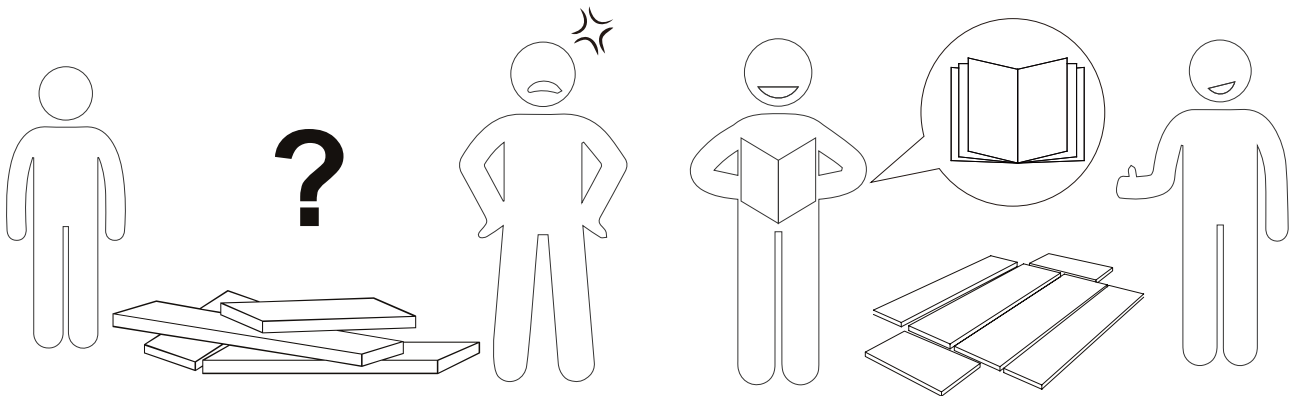
### **Warm Tips**

1. Carefully read these instructions and keep them for future reference.
2. Check the parts list and confirm everything's there before starting assembly.
3. When assembling, put all parts on a soft, smooth surface like a carpet to avoid scratches.
4. Don't fully tighten screws until all parts are confirmed in place to avoid misalignment.



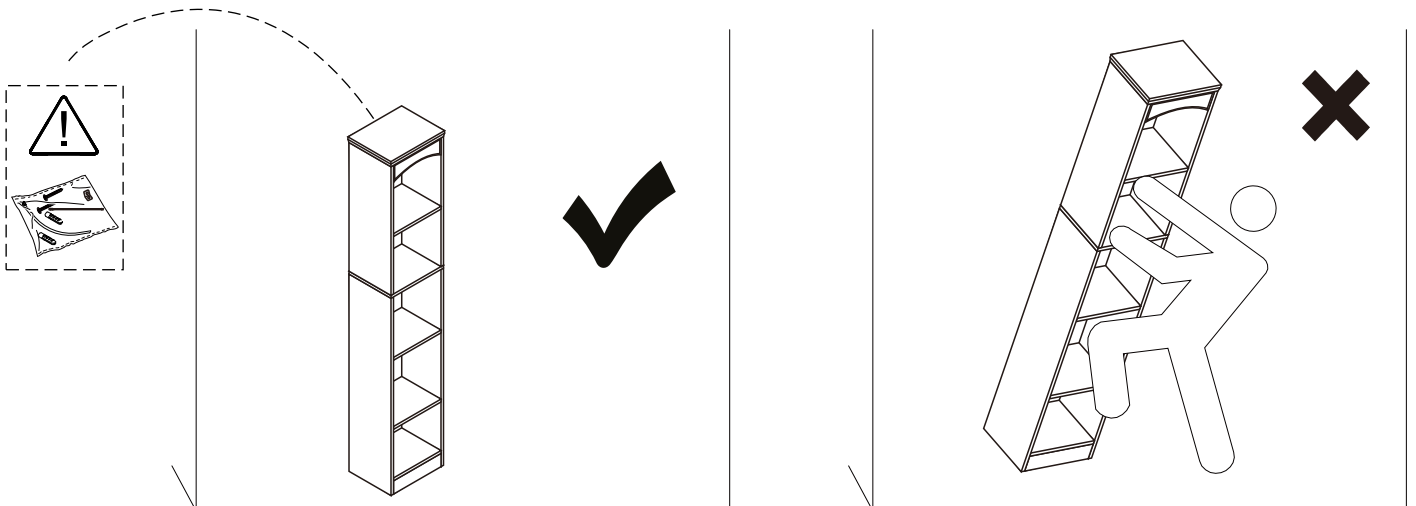
We recommend using hand tools for assembly.

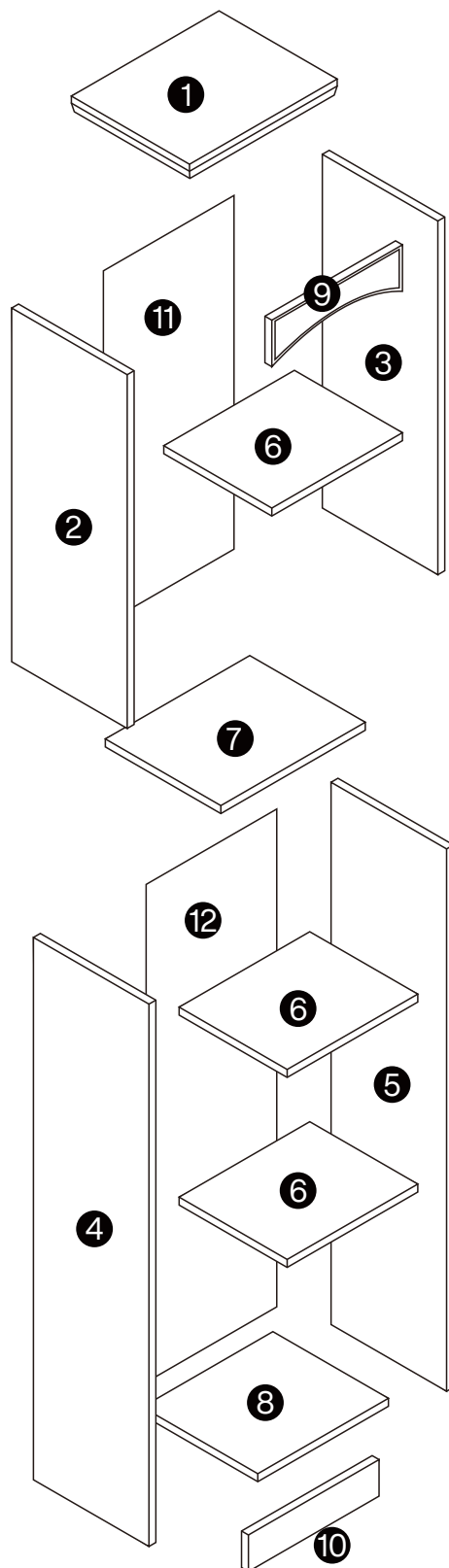
If an electric screwdriver is used, reduce power and torque to avoid damage to the product.



## Install the Anti-Tip Straps

Using the anti-tip straps can reduce the risk of tipping over, but can not eliminate it.

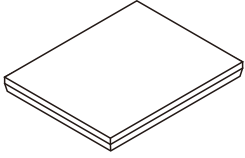
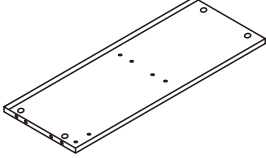
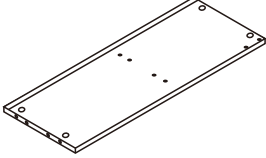
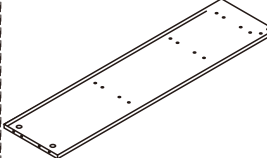
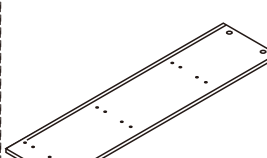
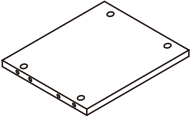
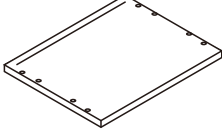
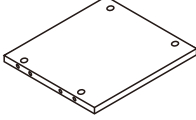
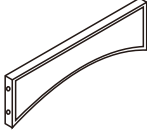
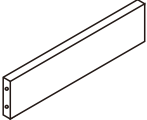
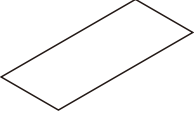
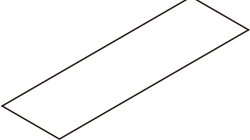









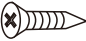
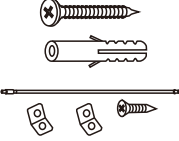
**⚠ Caution**

Make sure all parts are included. Most board parts are labeled or stamped on the raw edge. Contact us for a free replacement if you encounter any damaged or missing parts.

# Parts List

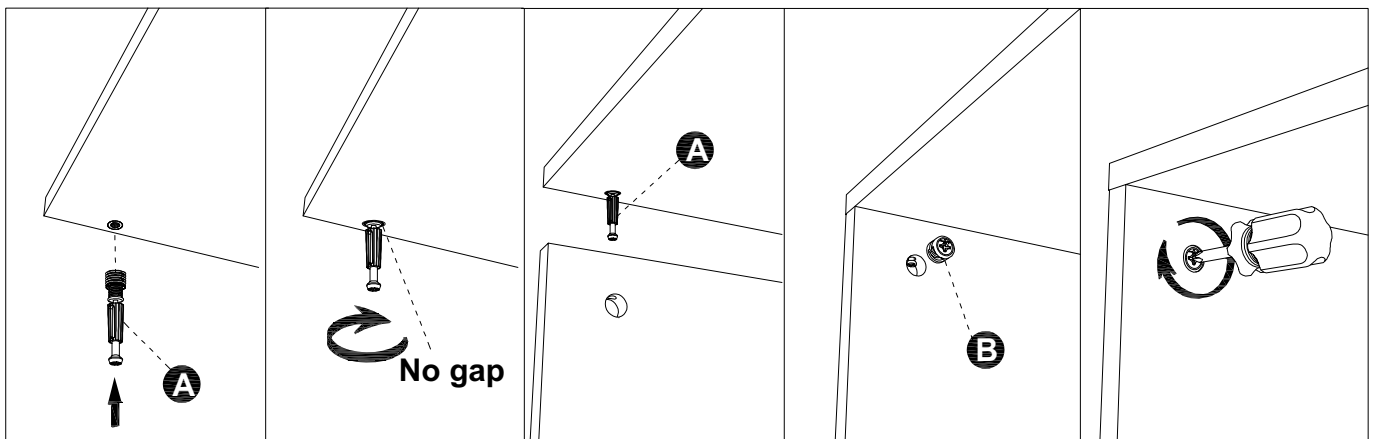
				
1 1pc	2 1pc	3 1pc	4 1pc	5 1pc
				
6 3pcs	7 1pc	8 1pc	9 1pc	10 1pc
				
11 1pc	12 1pc			

# Hardware List

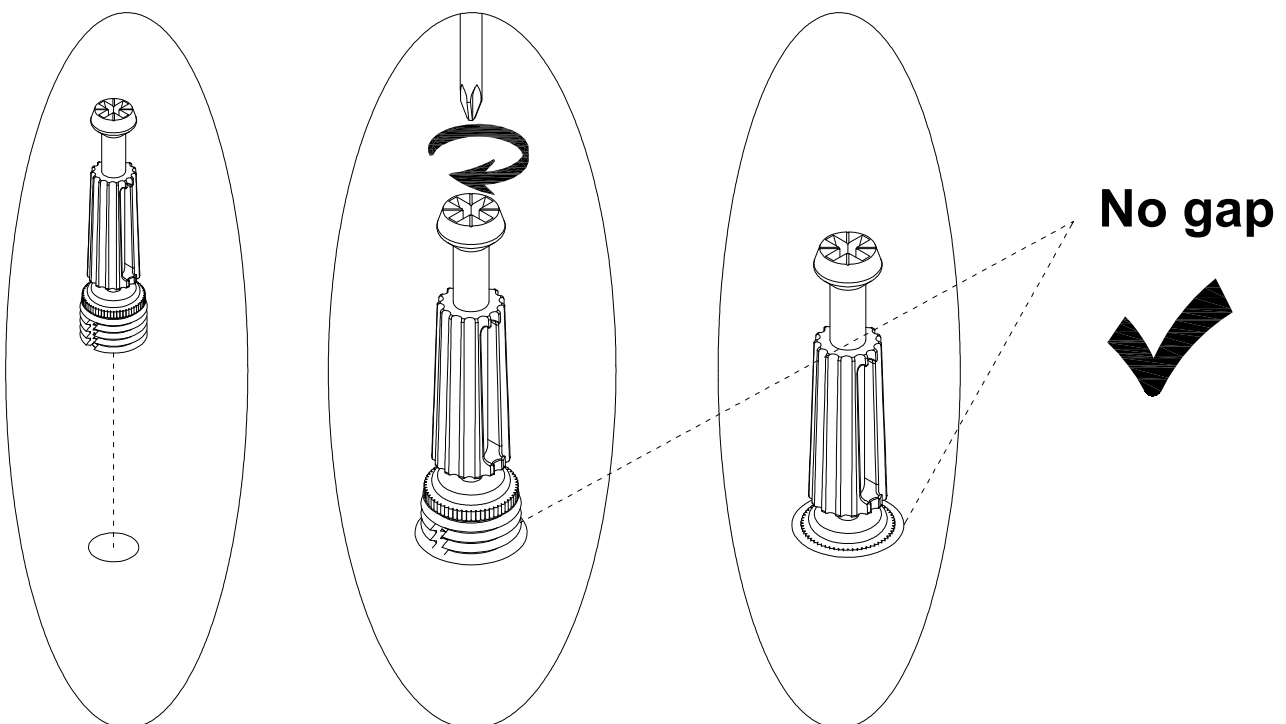
 M6x35mm A 36 pcs	 B 36 pcs	 M8x40mm C 24 pcs	 D 1pc	 E 14 pcs	 M3.5x14mm F 14pcs	 G 1pc
---	--	---	---	---	--	---

## Installation of Cams and Pins

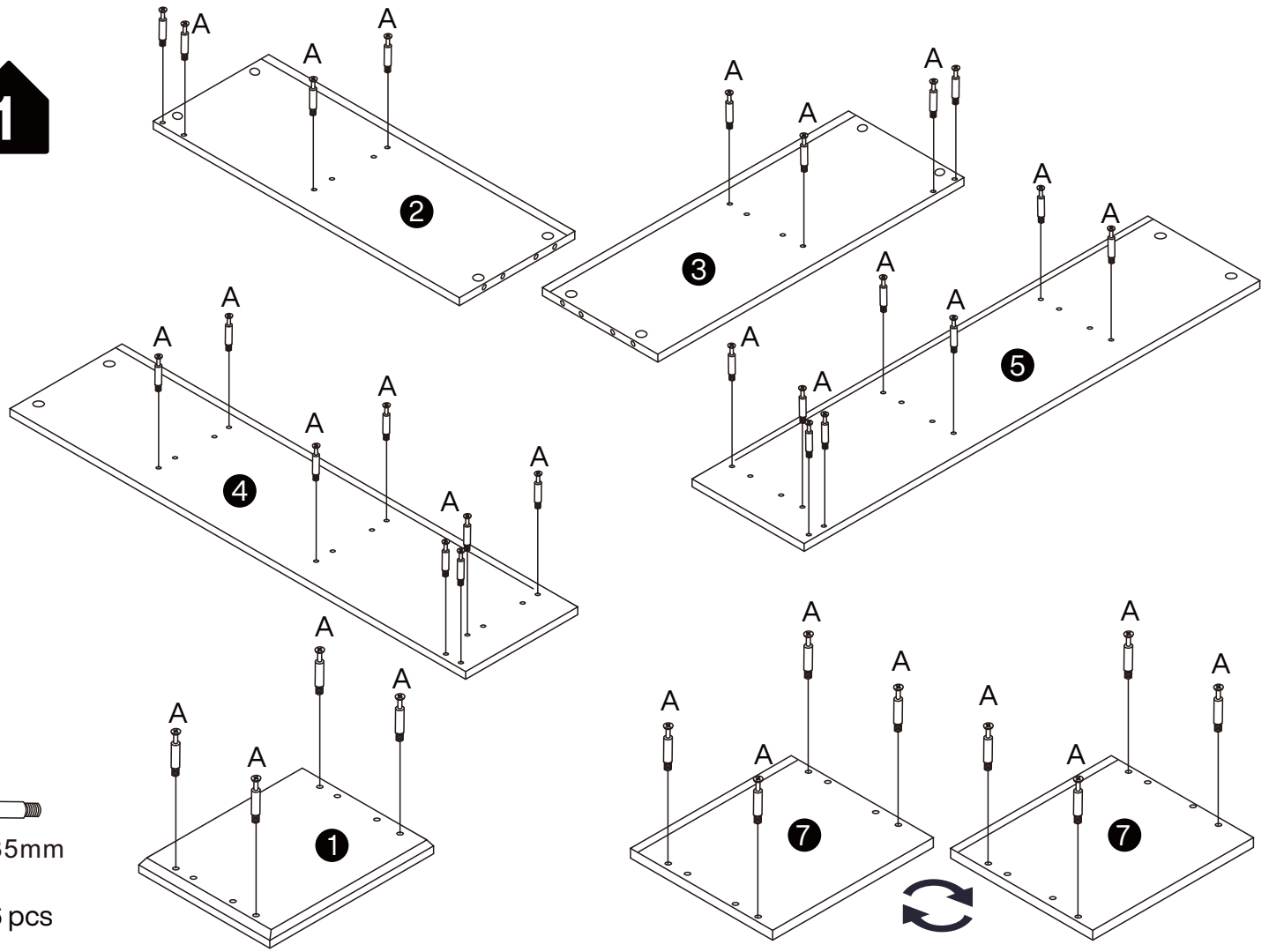
Screw the pin into the hole. To set the cams correctly, ensure that the arrow on the cam is opening to the hole of the pin it is locking. Lock the cam by turning the cam head with a screwdriver until it is tightened. Please do not use an electric screwdriver to assemble the unit.



Read each step carefully before starting. It is very important that each step of instruction is performed in the correct order. If these steps are not followed in sequence, assembly difficulties will occur.



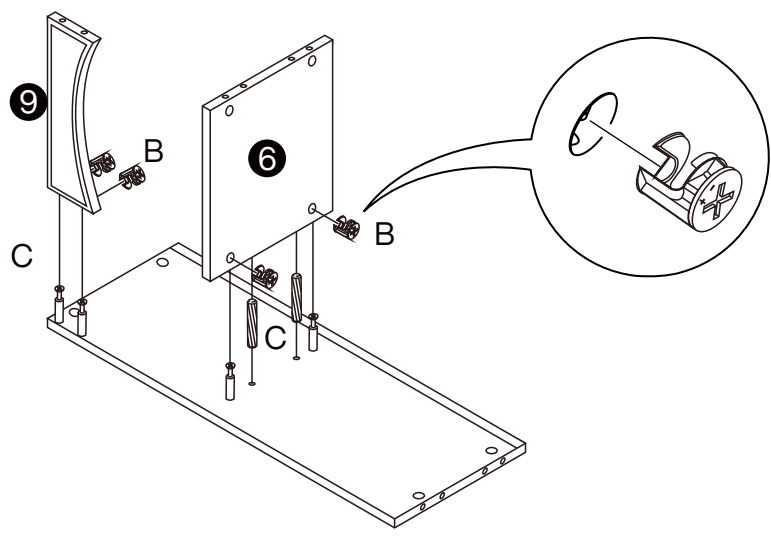
# 1





M6x35mm  
A  
36 pcs

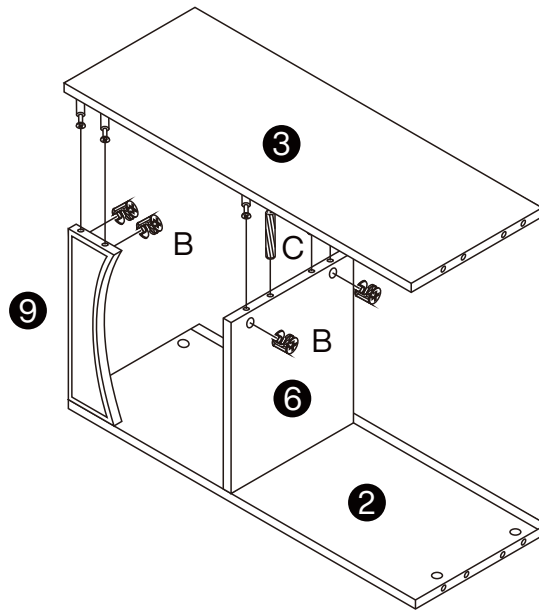
# 2

The wood grain faces up; the white faces down



   
M8x40mm  
B C  
4 pcs 2 pcs

# 3

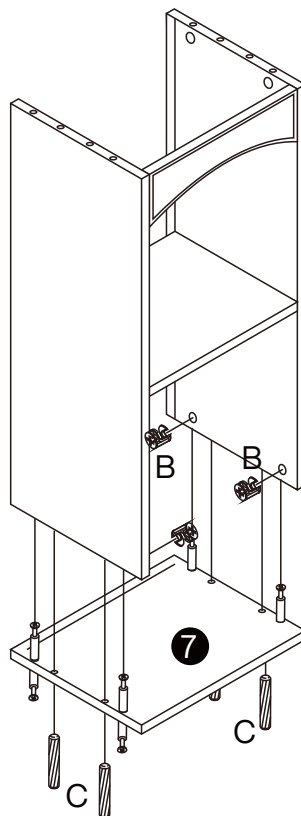


M8x40mm

B  
4 pcs

C  
2 pcs

# 4

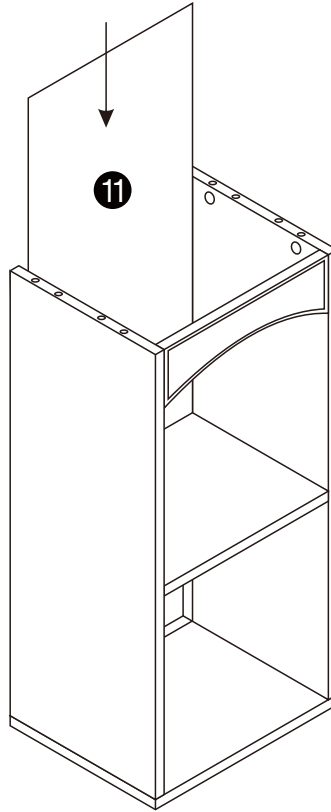


M8x40mm

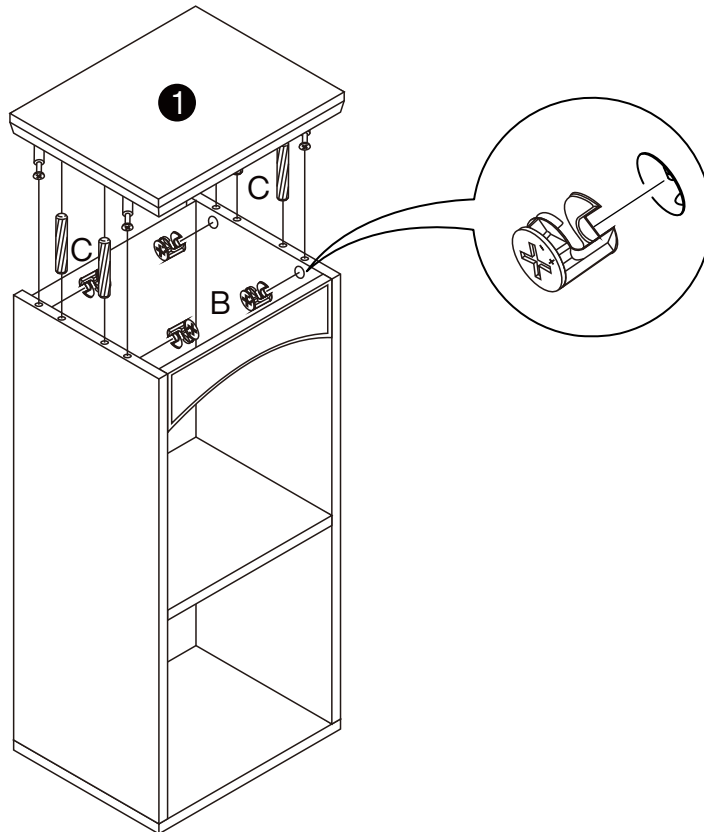
B  
4 pcs



C  
4 pcs

5

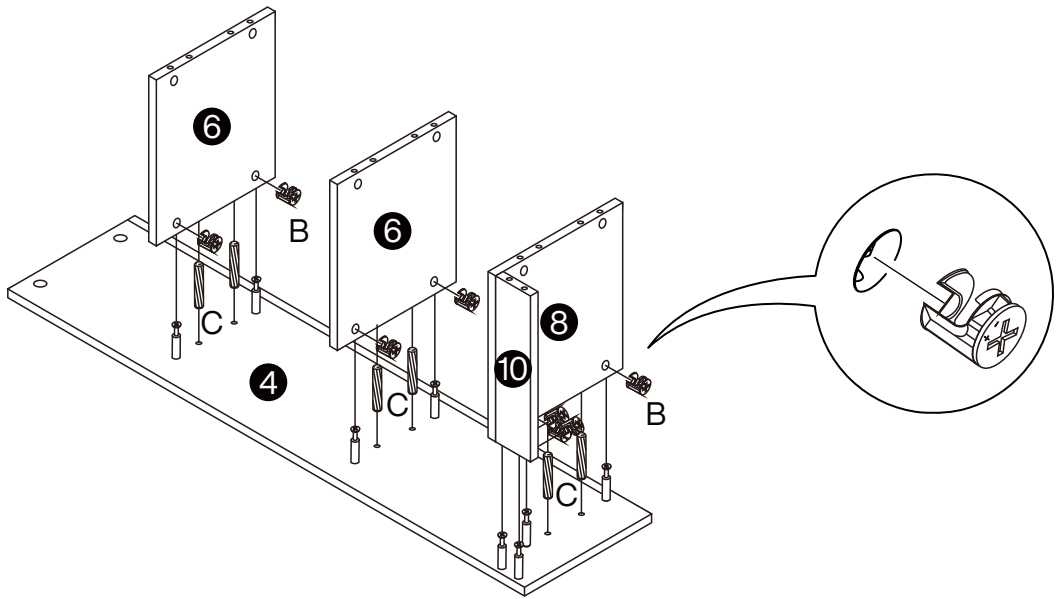




6



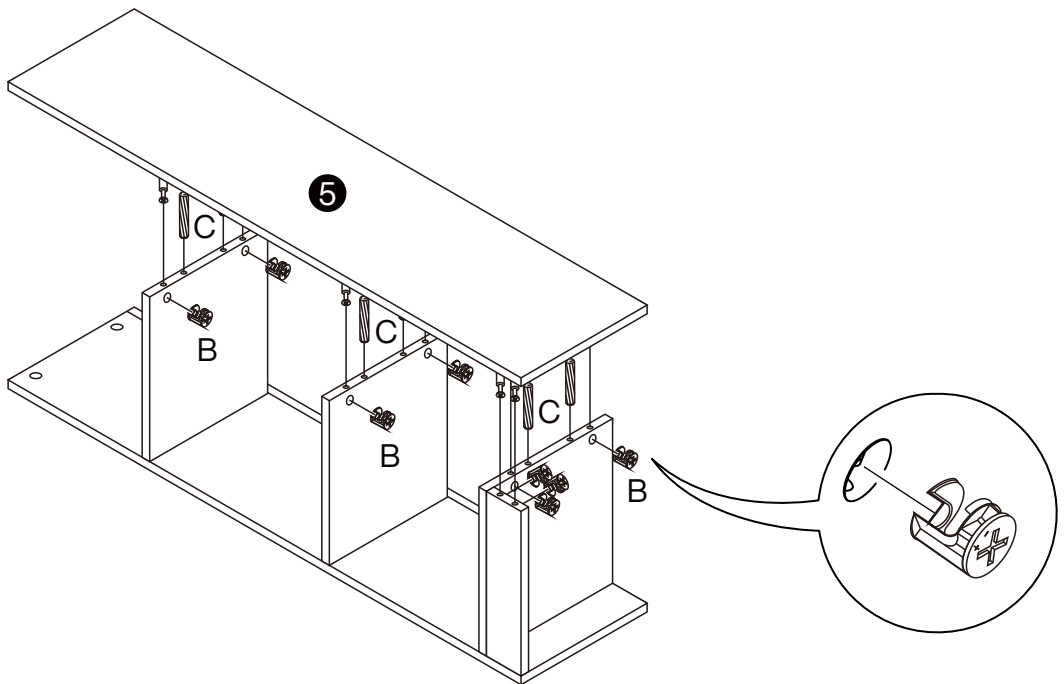
-   M8x40mm
- B 4 pcs
- C 4 pcs



# 7



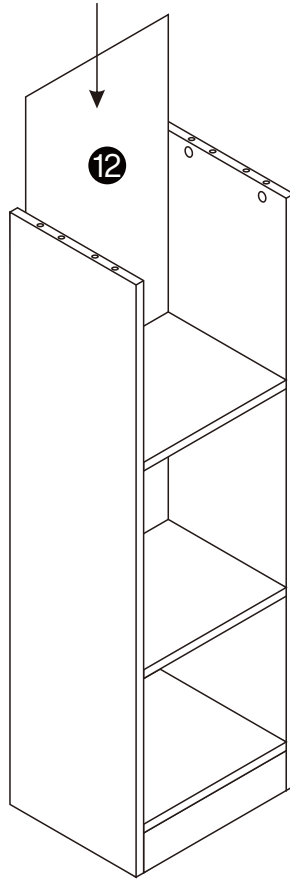
-   M8x40mm
- B      C
- 8 pcs   6 pcs

# 8

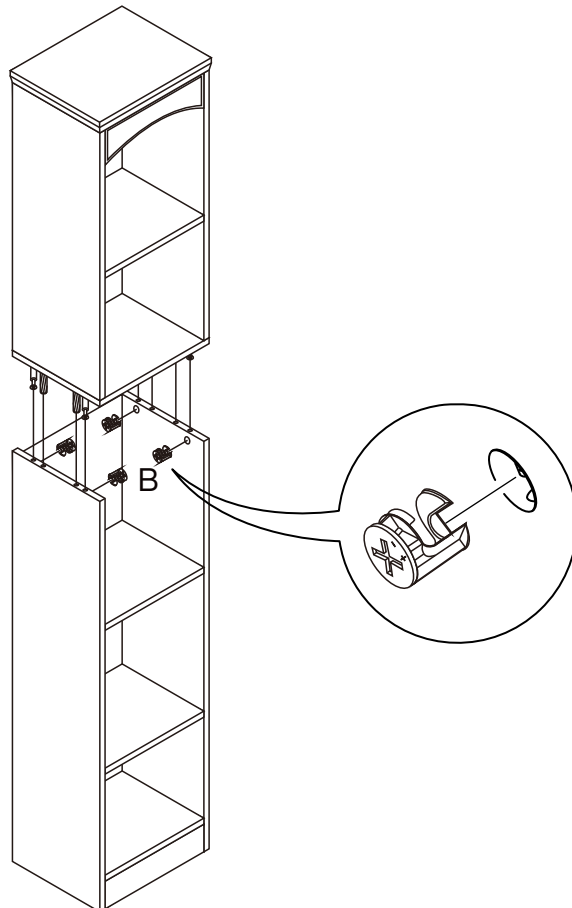


-   M8x40mm
- B      C
- 8 pcs   6 pcs

9

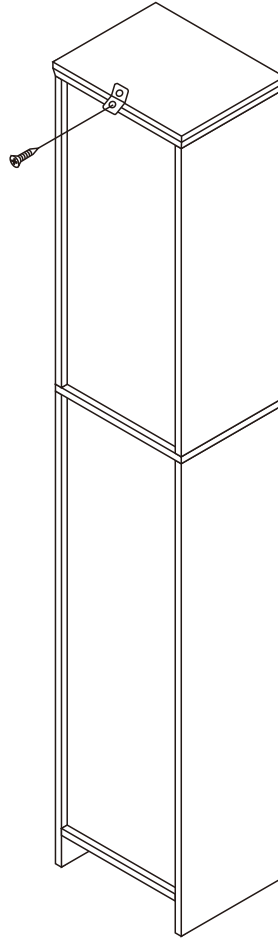
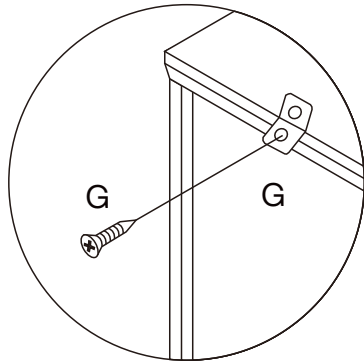



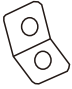
10



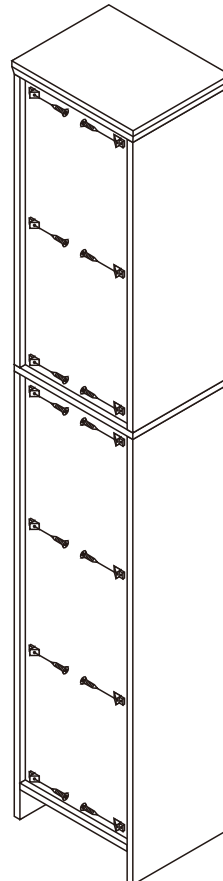
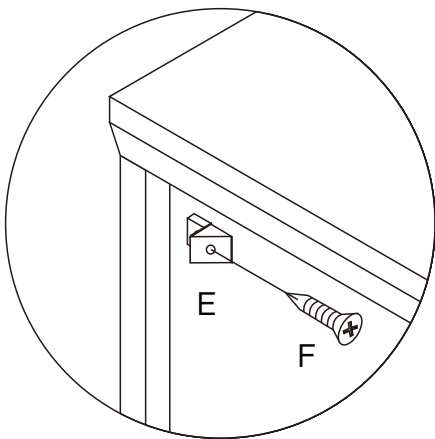
B  
4 pcs



11



   
M3.5x14mm  
G  
1 pc

12



   
M3.5x14mm  
F      E  
14 pcs    14 pcs

# 13



Plastic anchor  
M4x30

x1



M4x35

x1



M3.5x14

x1

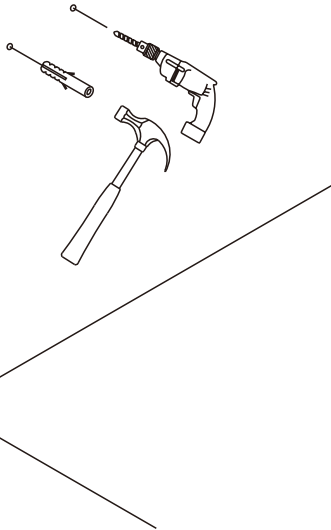


x2

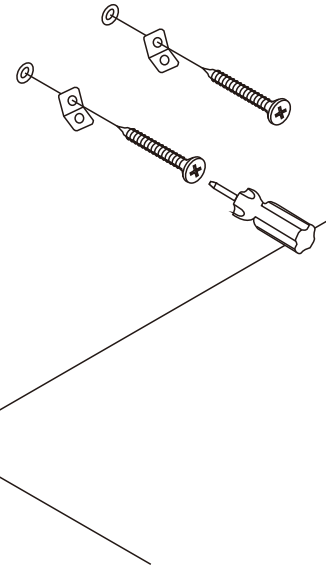


x1

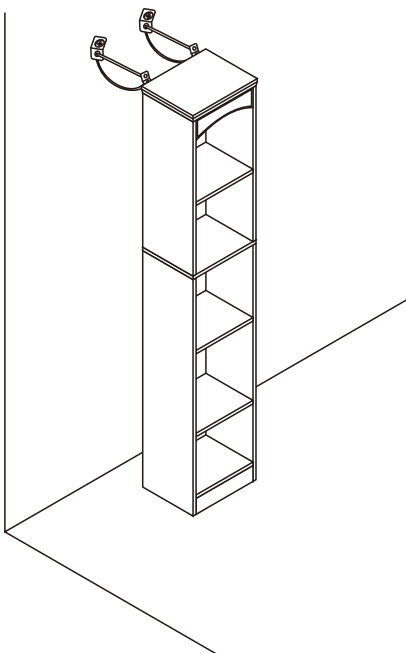
## Step 1



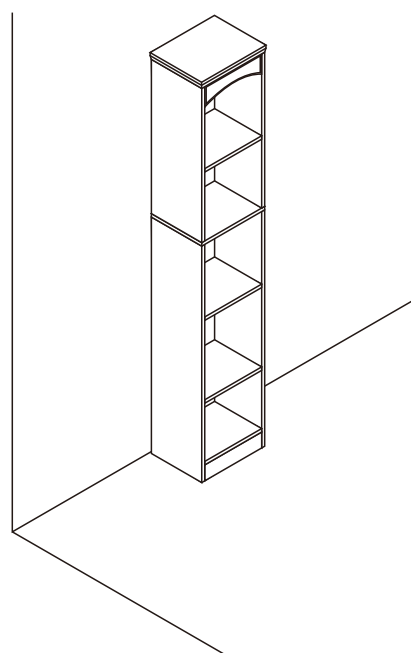
## Step 2



## Step 3



## Step 4



**Thank you for your support!**

