

Instruction Manual

Please save this manual for future reference.

Product Name:	Hanging Solar Light Lantern Wall Sconce
----------------------	---

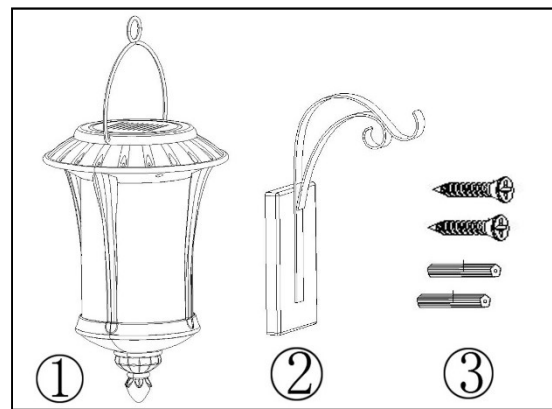
PLEASE READ ALL INSTRUCTIONS BEFORE ASSEMBLY.

Unpack all parts from styrofoam and bubble wrap inside the carton to ensure there are no missing or damaged parts. If any parts are missing or damaged, do not attempt to assemble or use the product.

CARTON CONTENTS:

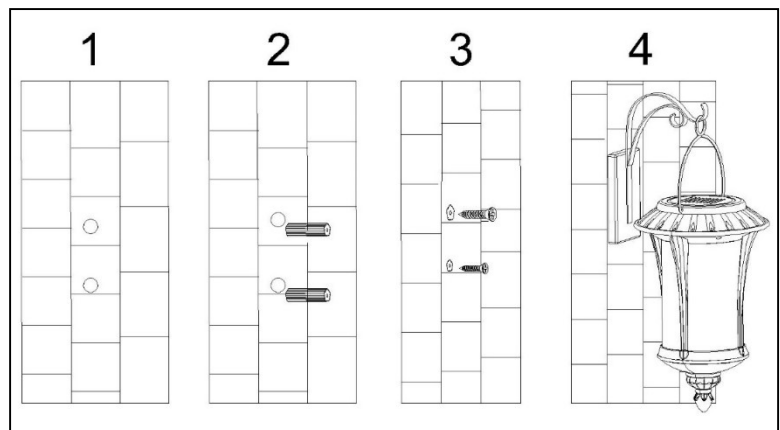
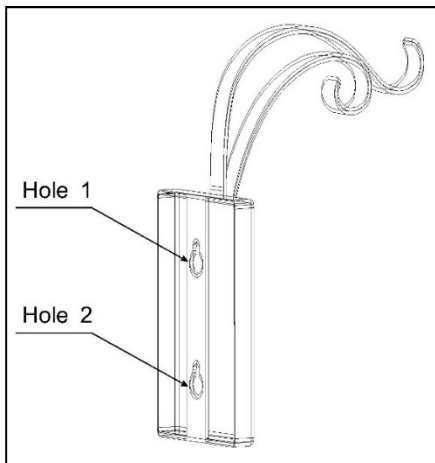
	Description	Quantity
01	Solar lantern	1
02	Wall-mounted fixture	1
03	Screw & plastic plug	2

Tools required for assembly: Screw Driver, Drill



Assembly Instructions:

1. Select an outdoor location with full and direct sun exposure, where the solar panel can receive at least 8 hours of sunlight each day.
2. For a masonry structure, drill two holes corresponding to the holes on the wall-mounted fixture into the desired surface. (1)
3. Place plastic plugs into holes. (2)
4. Install screws into plastic plugs. (3)
5. Hang up the solar lantern to the hook. Turn the switch to ON position. The solar light turns on automatically at night and turns off automatically at dawn. (4)



Instruction Manual

Please save this manual for future reference.

Product Name:	Hanging Solar Light Lantern Wall Sconce
----------------------	---

INSTRUCTIONS

FOR FIRST TIME USE: SOLAR LIGHT NEEDS TO CHARGE IN FULL SUNLIGHT FOR 8 - 12 HOURS TO ALLOW THE RECHARGEABLE BATTERY TO REACH MAXIMUM CAPACITY.

PRECAUTIONS:

1. The light is designed to work when it is dark. If there is high ambient lighting nearby, then the LED light may be very dim or not turned on at all.
2. When the solar panel dusty or dirty, clean it using a soft moistened cloth (do not use any chemicals or abrasive cleanser).

DETAILS

- Charges in direct sunlight.
- On & Off switch to turn the light on & off (located on the underside of the lantern top).
- Powered by polycrystalline solar panel with high efficiency.
- Up to 6-8 hours of light each night when fully charged.
- 14500 LiFePO4 400mAh 3.2V rechargeable battery.
- No operating costs.
- No wiring, simply hang and enjoy.

REPLACING THE BATTERY

Check the battery to ensure that they are making correct contact with the terminals. Install the screws on top cover tightly.

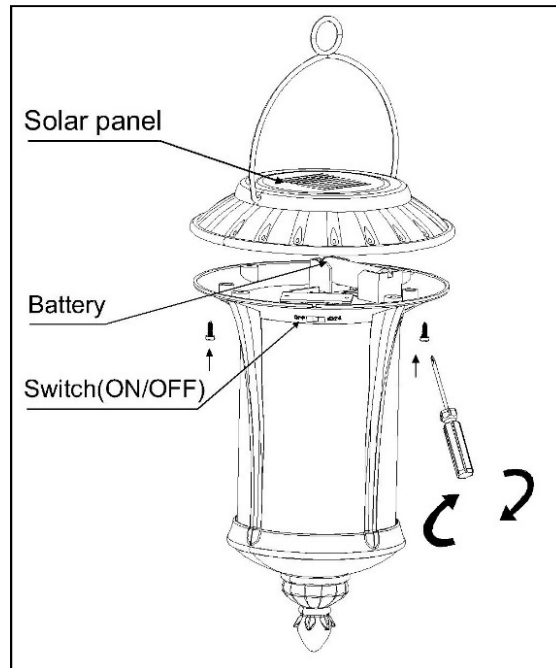
Battery model# 14500 LiFePO4 400mAh 3.2V rechargeable battery

For optimum performance, allow battery to charge in full sunlight.

Instruction Manual

Please save this manual for future reference.

Product Name:	Hanging Solar Light Lantern Wall Sconce
----------------------	---



Trouble Shooting Tips:

If your solar light does not turn on at night, it may be caused by the following:

- Check to see if the switch is in the “OFF” position.

Resolution: Push the switch to the “ON” position and allow the solar light to be charged for at least 8 hours in direct sunlight.

- Battery may not be fully charged.

Resolution: Make sure the solar light is placed in an area where the solar panel receives the maximum amount of full direct sunlight every day.

- The solar light may be located too close to other light sources (such as porch light or street lantern).

Resolution: Relocate away from external light source.

- The rechargeable battery may need to be replaced.

Resolution: Replace with batteries of identical specification.



WARNING: Do not dispose of batteries in the regular trash, municipal waste stream or by fire as batteries may leak or explode. Do not open, short circuit, or mutilate batteries as injury may occur. Preserve our environment by recycling batteries or disposing of them in accordance with Local, State, and Federal regulations.

