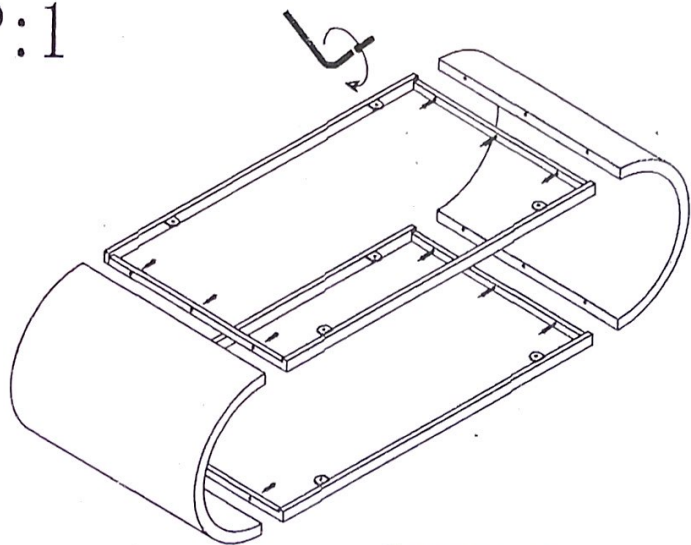
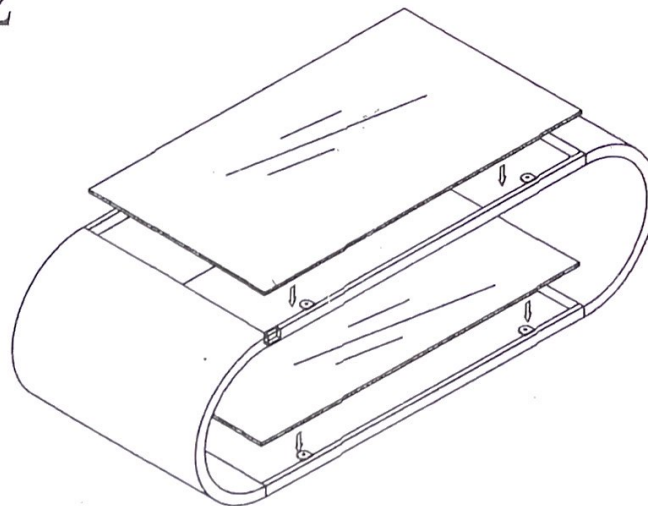


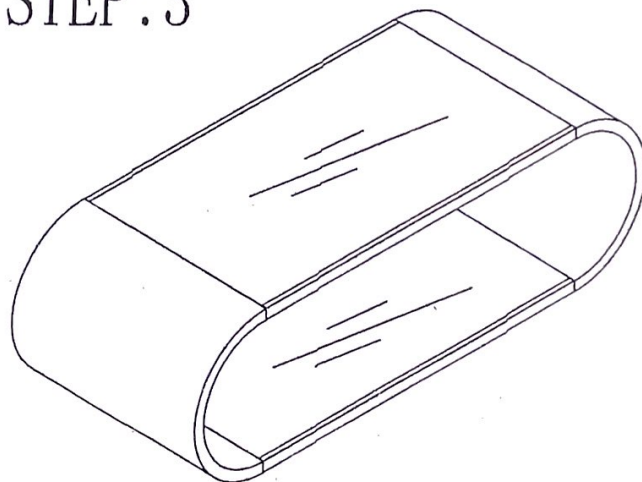
STEP:1



STEP:2




STEP:3



ITEM NAME:

A: 

B: 

C: 

NA11-47

12pcs

1pcs

8pcs