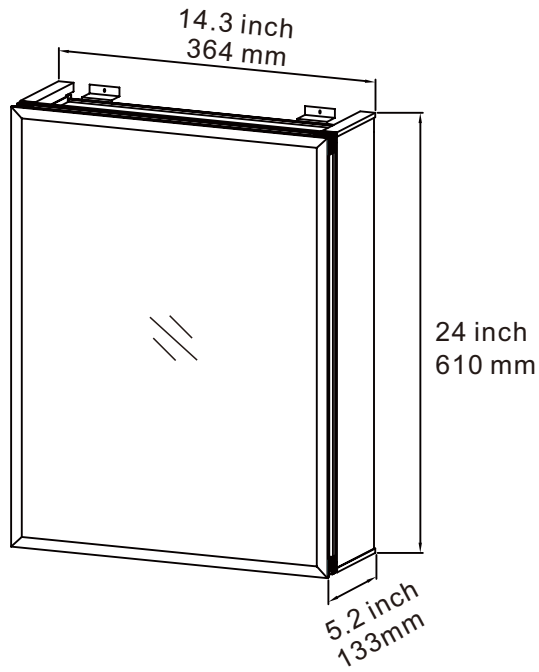
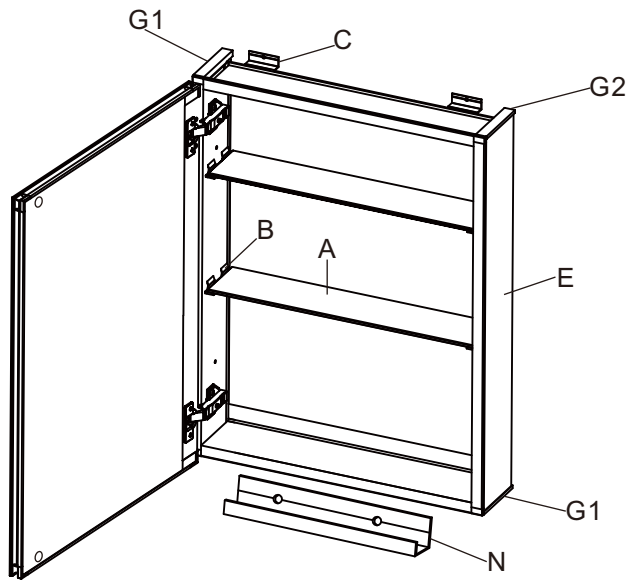


# Medicine Cabinet Instructions



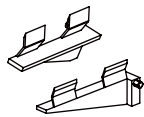
## PART LIST



## SUPPLIED HARDWARE LIST



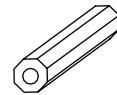
A 2x



B 2+2



C 2x



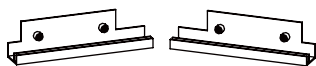
D 4x



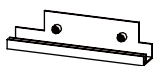
E 2x



F 4x



G1 2x



G2 2x



H 8x



L 4x



N 1x

## TOOLS REQUIRED (not supplied)



Pencil



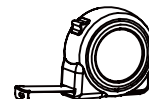
Screwdriver



Level



Rubber mallet



Measuring Tape

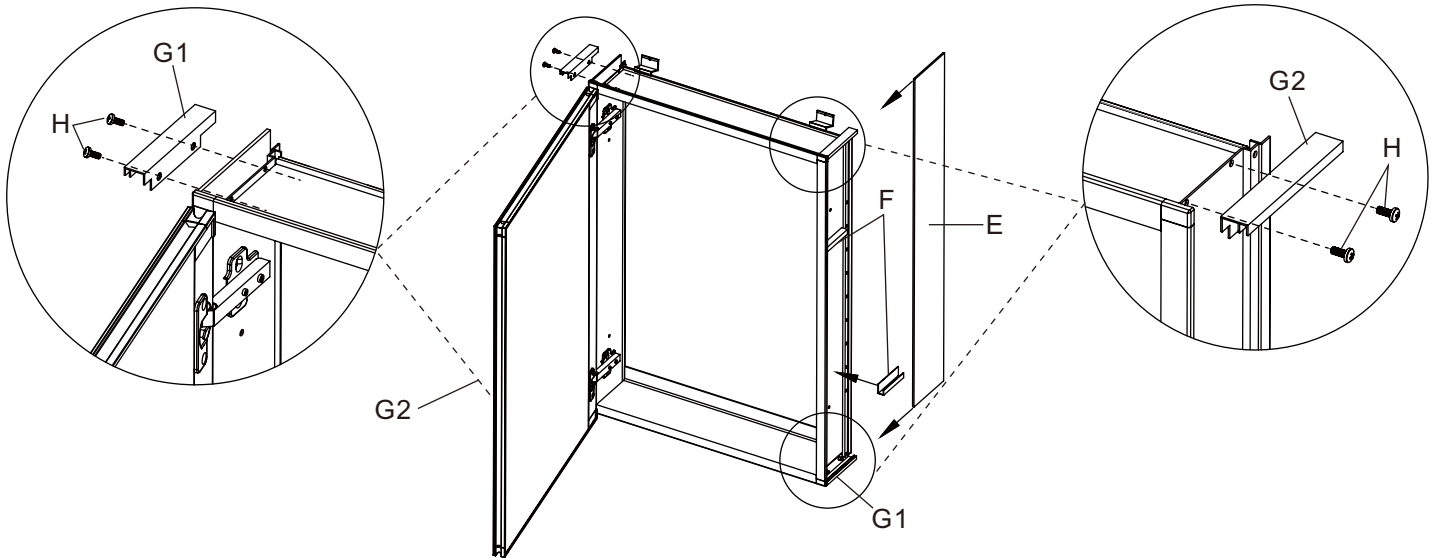


Drill

# SURFACE MOUNT INSTALLATION

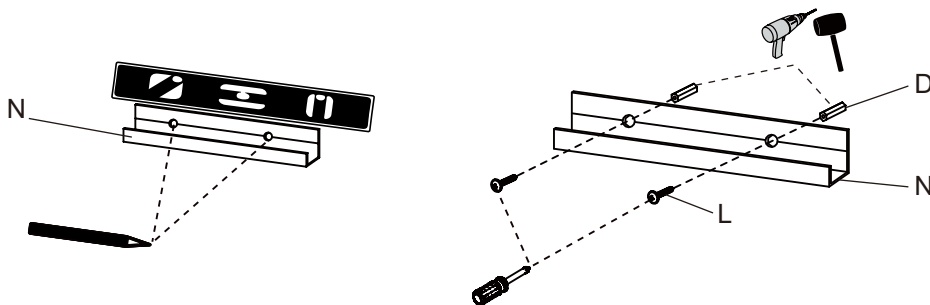
## STEP 1

Fix the side mirror brackets (G1/G2) on the 4 corners with screws (H). Then insert the side mirrors (E).



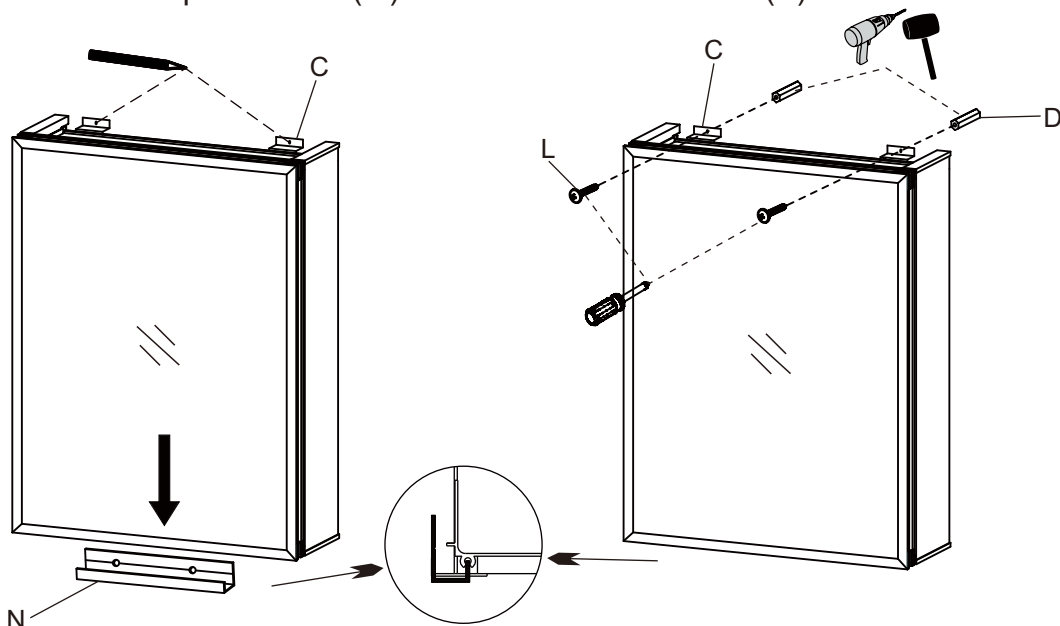
## STEP 2

Position the bottom bracket (N) with level, and install with screws (L).



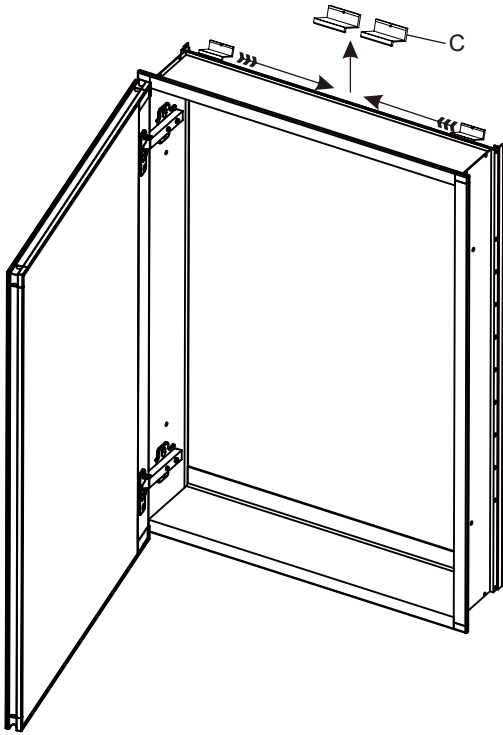
## STEP 3

Set the cabinet on the bottom bracket (N) and hold in place. Position the top brackets (C) and install with screws (L).

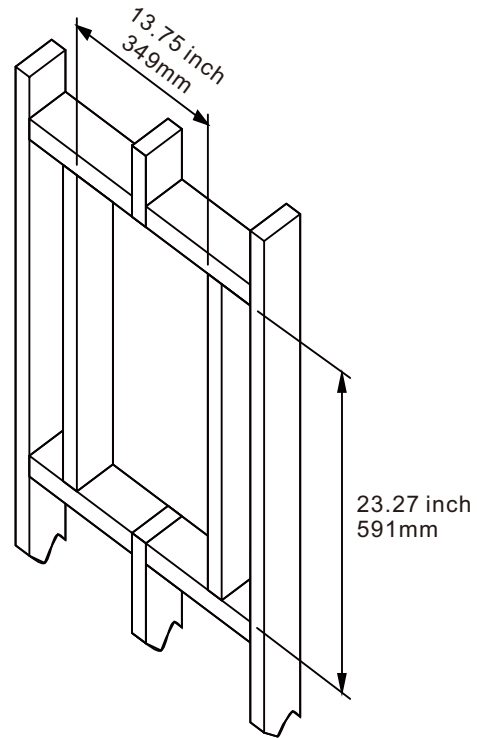


# RECESSED MOUNT INSTALLATION

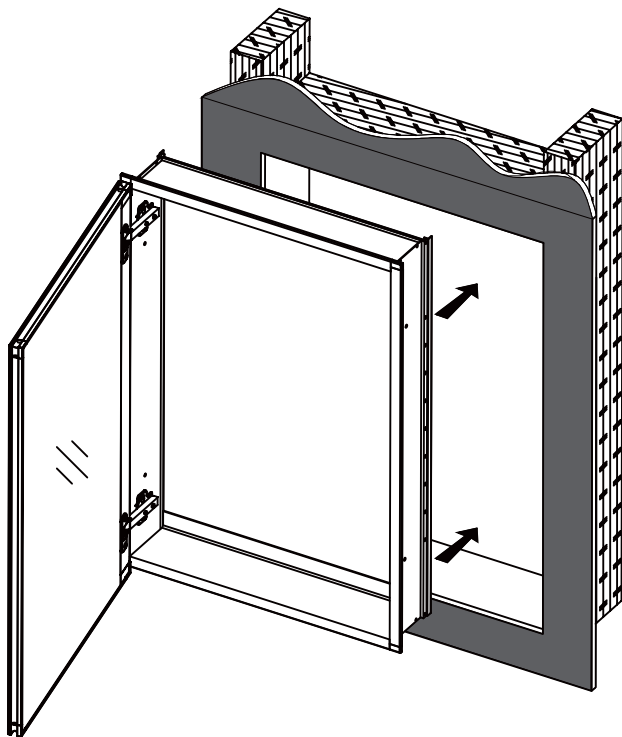
**STEP 1** Remove the top brackets (C).



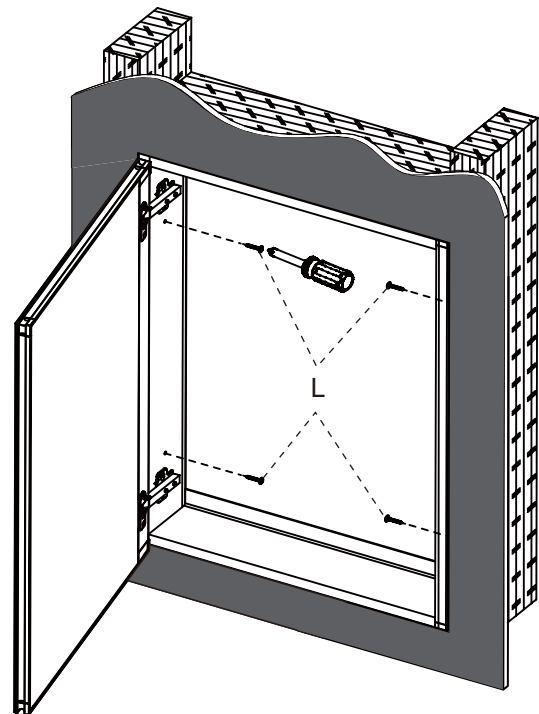
**STEP 2** Draw the perimeter of the cabinet. Cut at the marked lines with the appropriate tool. Make sure that there is support on both sides of the opening to attach the cabinet box.



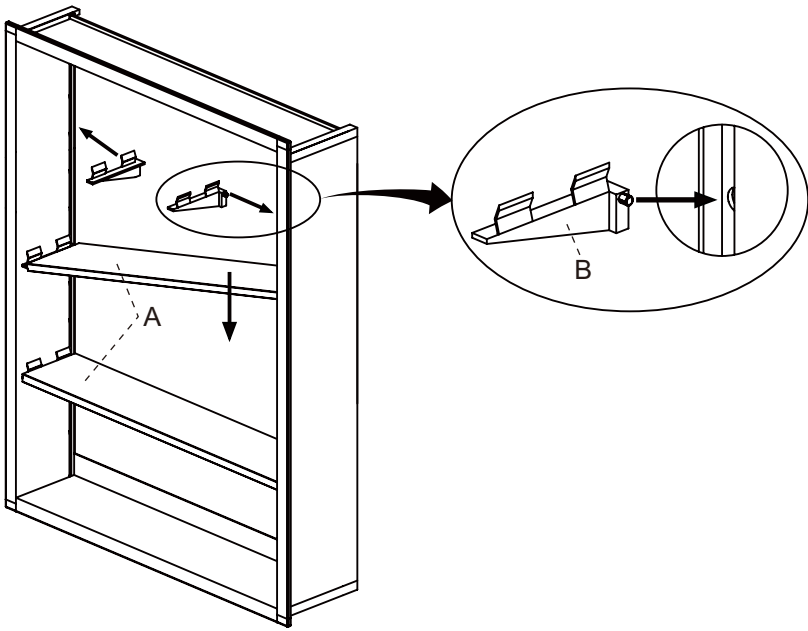
**STEP 3** Frame the cutout opening. Place and hold the cabinet in the cutout.



**STEP 4** Level, then secure the cabinet with screws (L).



**TO ASSEMBLE THE SHELVES**



**TO ADJUST THE HINGE**

