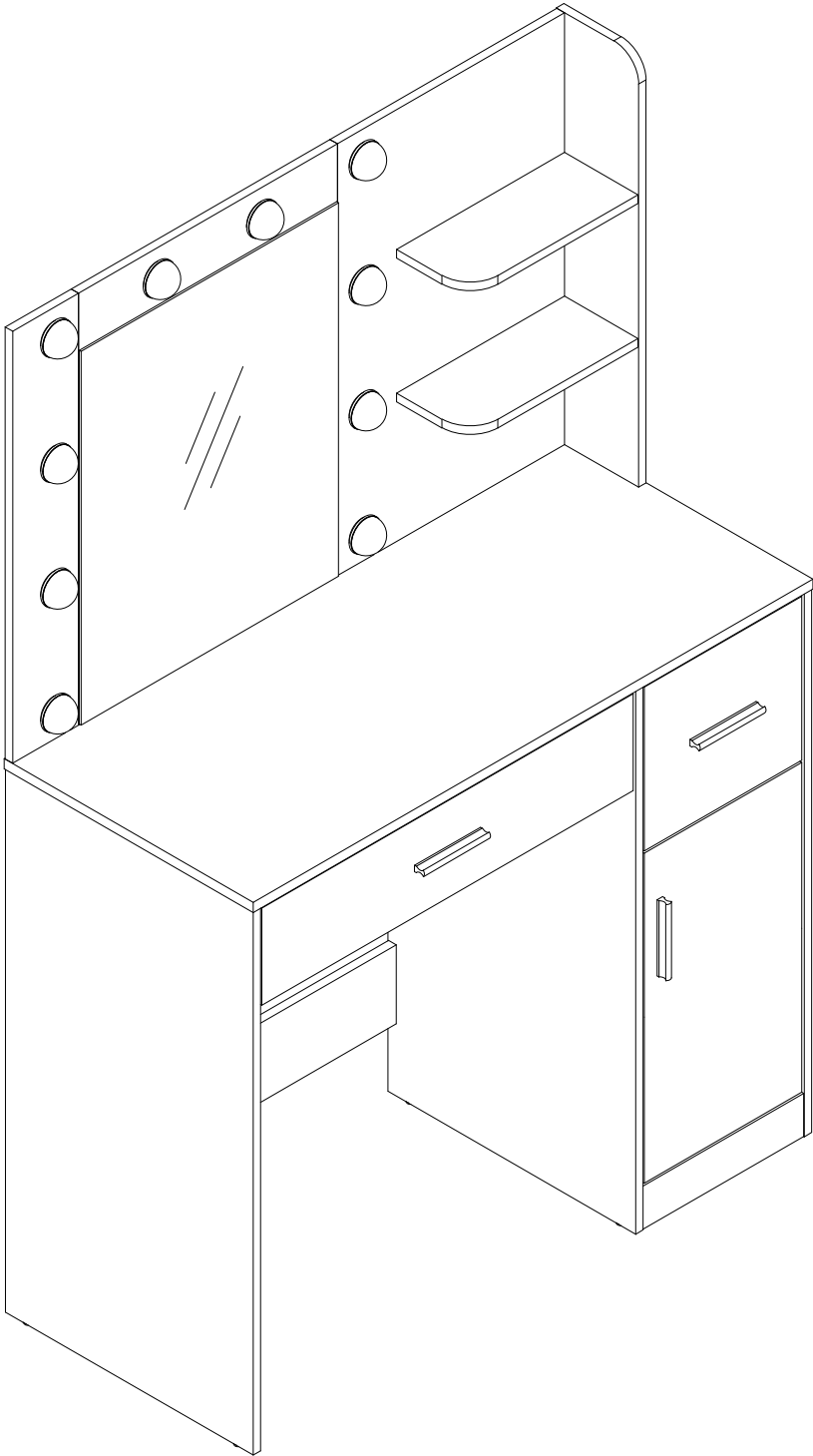
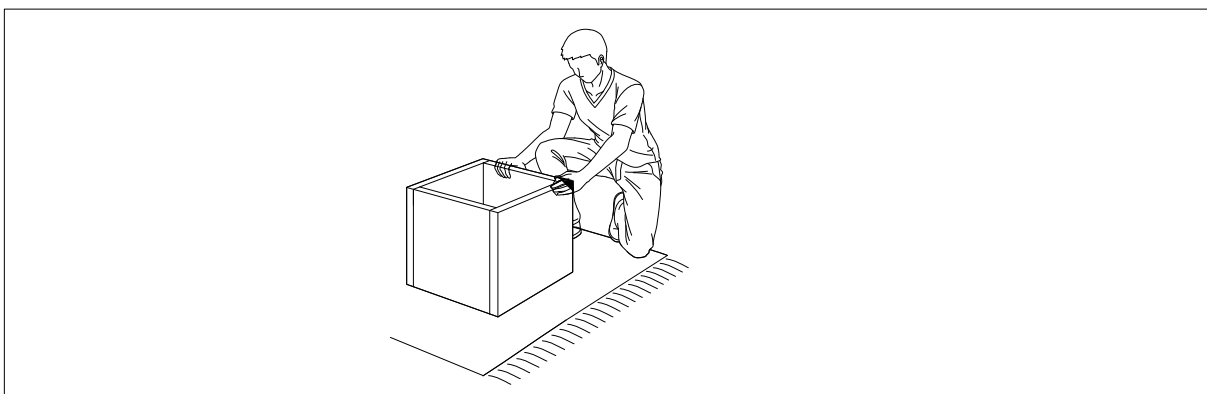
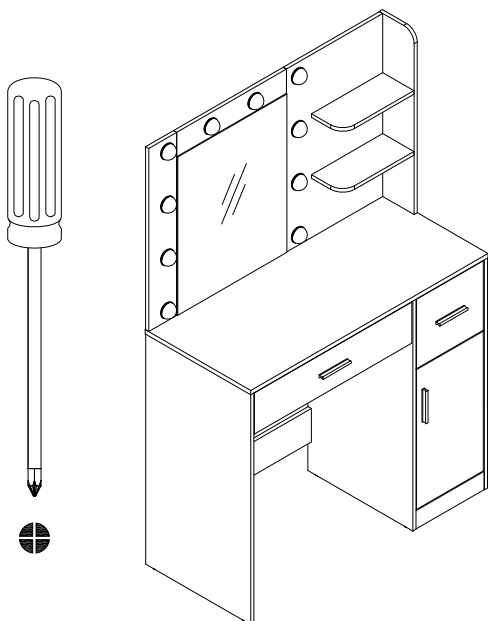


ASSEMBLY INSTRUCTIONS

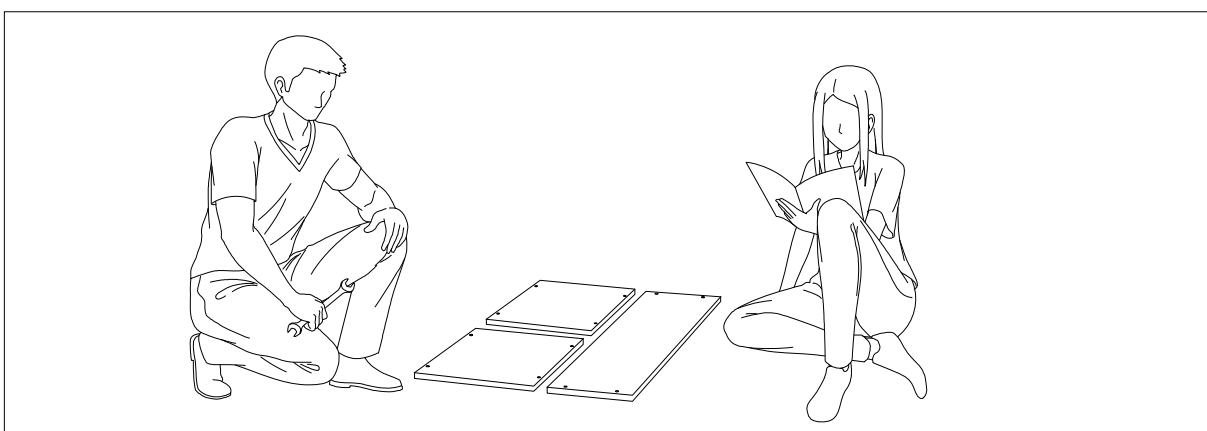
V-VN24-0474A



WARNING!

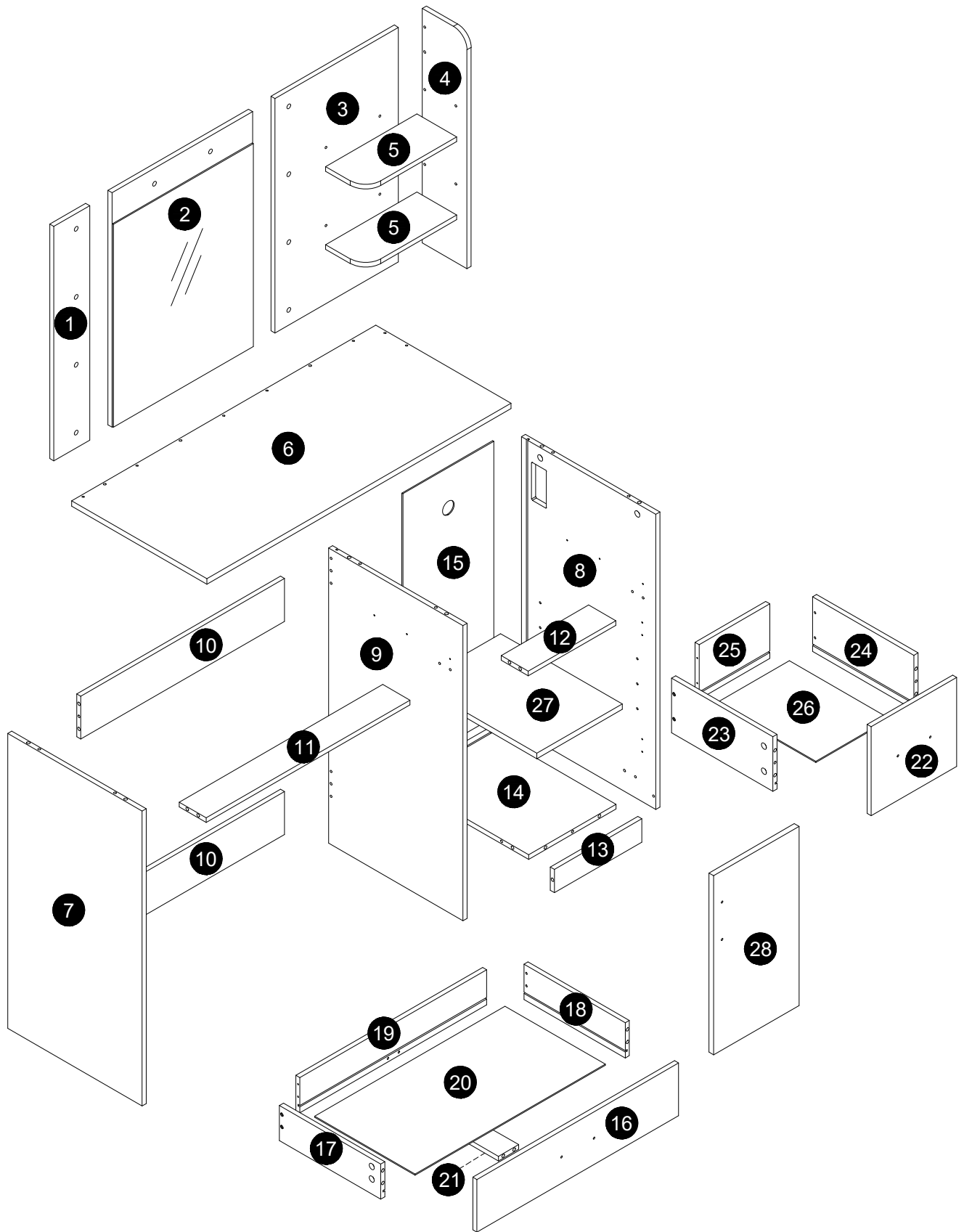


Assemble the furniture on empty carton, carpet, or rug to prevent scratches or damage.


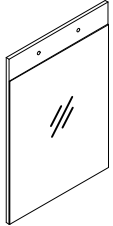
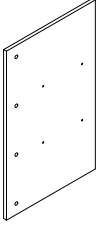

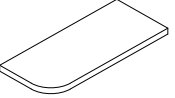
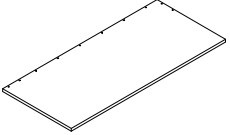

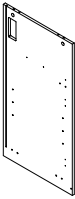

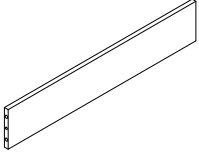
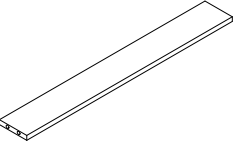
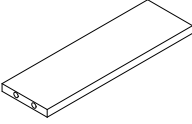
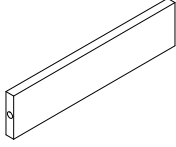
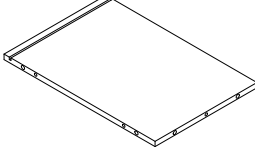

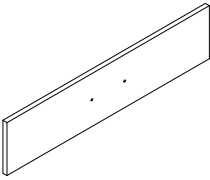
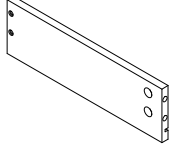
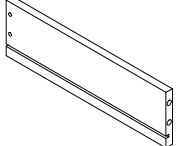
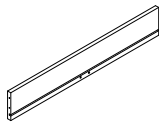
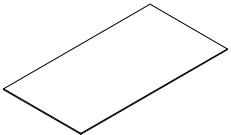
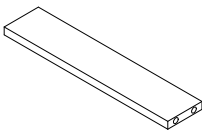
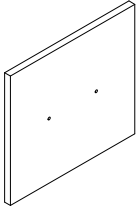
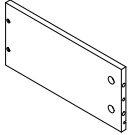
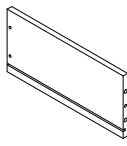
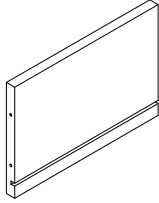
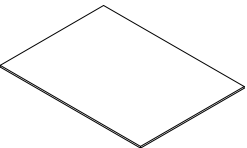
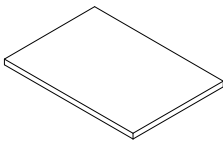



This furniture requires 2 people to assembly.
Make sure no parts are missing or damaged before assembly.



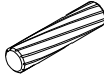
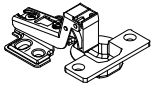
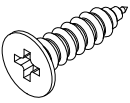
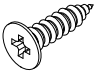
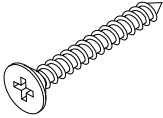
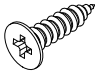
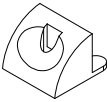
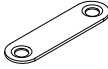
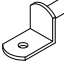
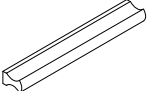
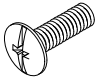
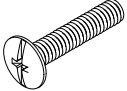
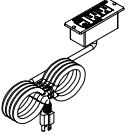
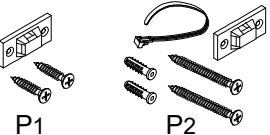
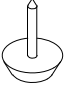
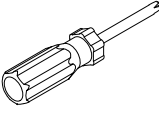
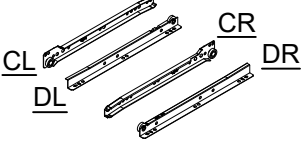
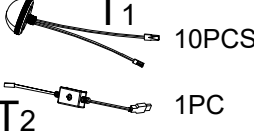

PACKAGE CONTENT



BOARD IDENTIFICATION

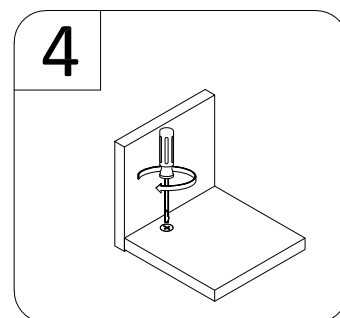
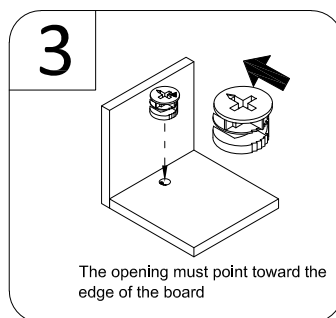
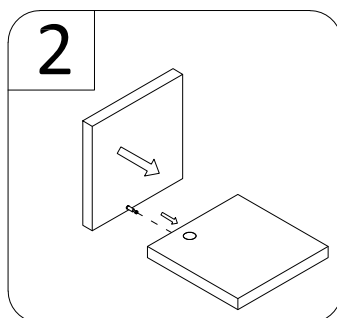
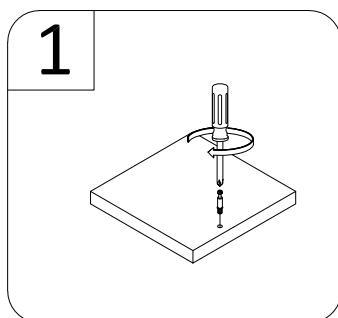
 <p>1 1PC</p>	 <p>2 1PC</p>	 <p>3 1PC</p>	 <p>4 1PC</p>	 <p>5 2PCS</p>
 <p>6 1PC</p>	 <p>7 1PC</p>	 <p>8 1PC</p>	 <p>9 1PC</p>	 <p>10 2PCS</p>
 <p>11 1PC</p>	 <p>12 1PC</p>	 <p>13 1PC</p>	 <p>14 1PC</p>	 <p>15 1PC</p>
 <p>16 1PC</p>	 <p>17 1PC</p>	 <p>18 1PC</p>	 <p>19 1PC</p>	 <p>20 1PC</p>
 <p>21 1PC</p>	 <p>22 1PC</p>	 <p>23 1PC</p>	 <p>24 1PC</p>	 <p>25 1PC</p>
 <p>26 1PC</p>	 <p>27 1PC</p>	 <p>28 1PC</p>		

HARDWARE PART LIST

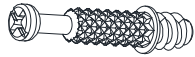
A	X50+2	B	X50+2	C	X23+1	D	X2
							
Ø6x34mm		Ø15x9.5mm		Ø6x30mm		Ø35mm	
E	X12	F	X36+1	G	X17	H	X4
							
Ø8x12mm		Ø6.5x12mm		Ø8*35mm		Ø3x15mm	
I	X4	J	X6	K	X4	L	X3
							
M	X4	N	X2	O	x1	P	X1SET
							
Ø5/32"x16mm		Ø5/32"x18mm				P1 P2	
Q	X6	R	X1	S	x2SET	T	X1SET
							
Ø13x4mm				L300mm		T1 10PCS T2 1PC	
U	X1						
							

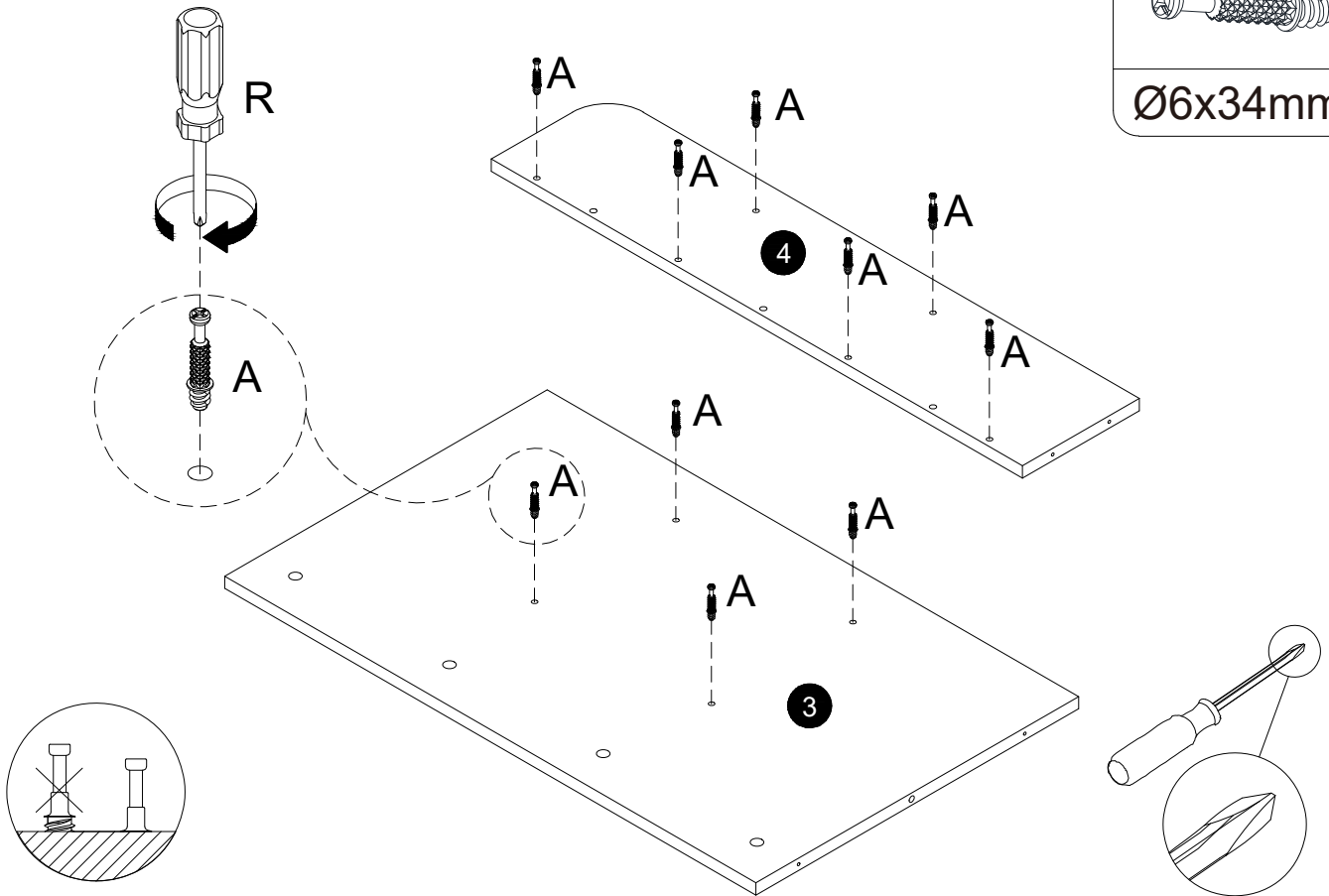
Cam Lock Fastening System

Insert the cam bolt into the hole first, then insert the cam lock and lock it.




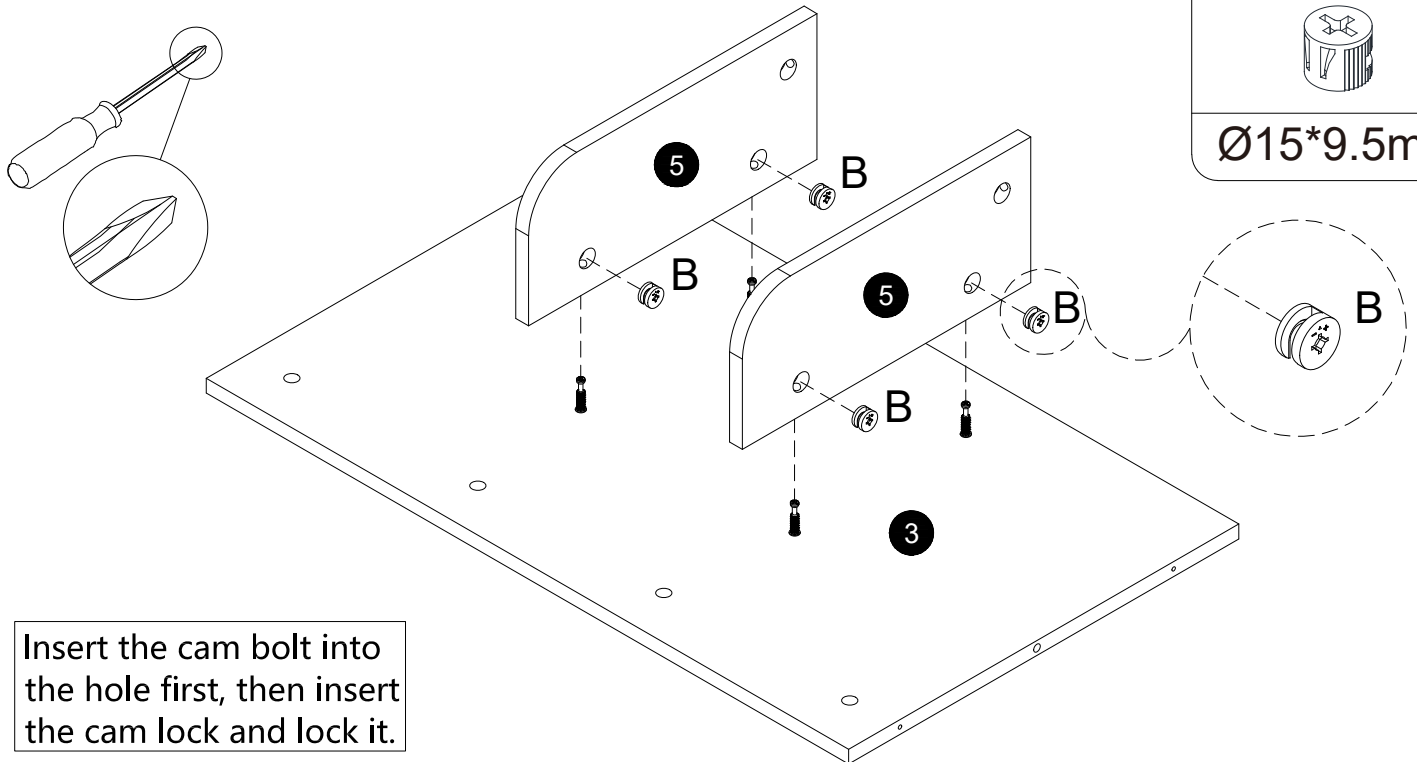
STEP 1

A	X10
	
Ø6x34mm	

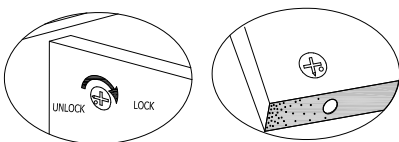


STEP 2

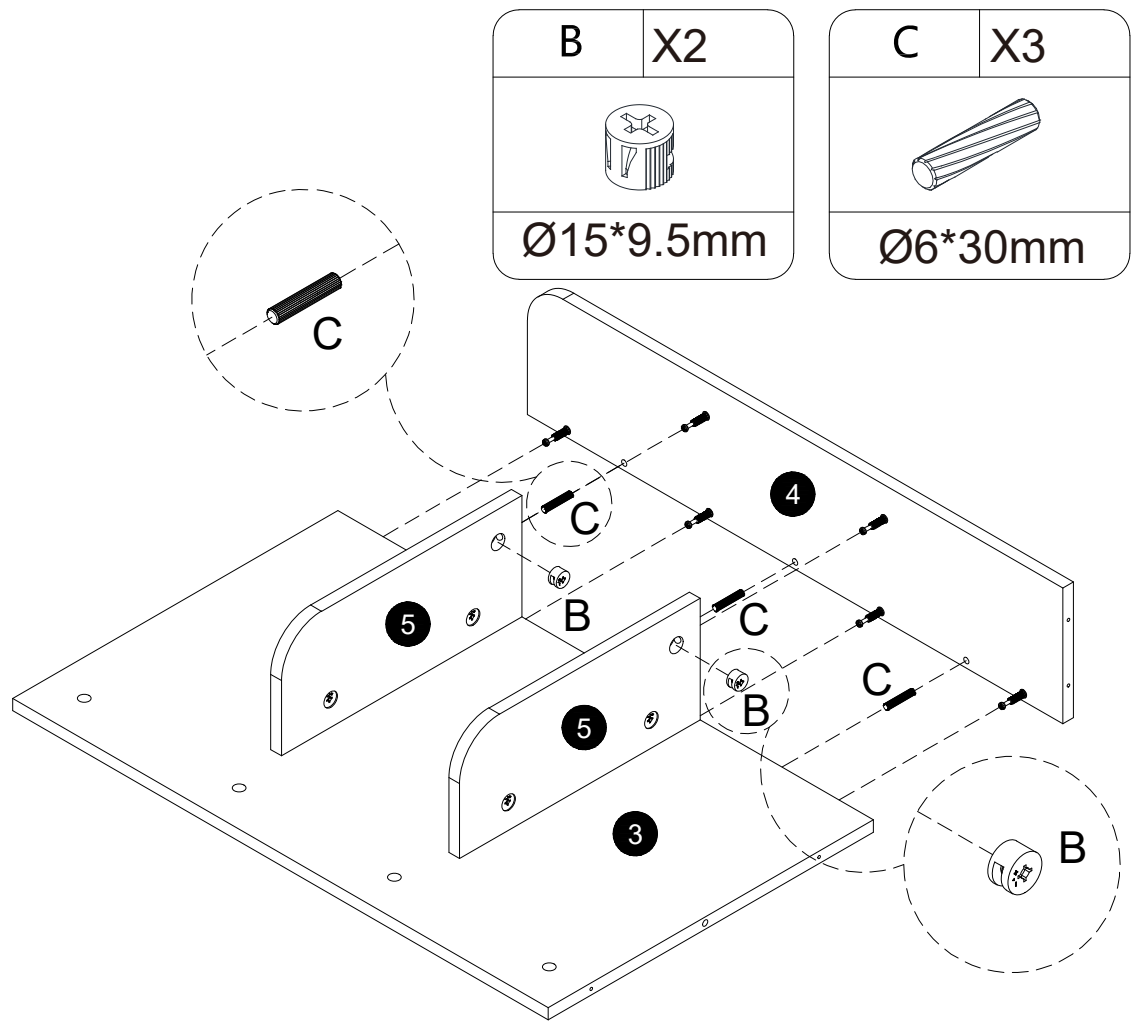
B	X4
	
Ø15*9.5mm	



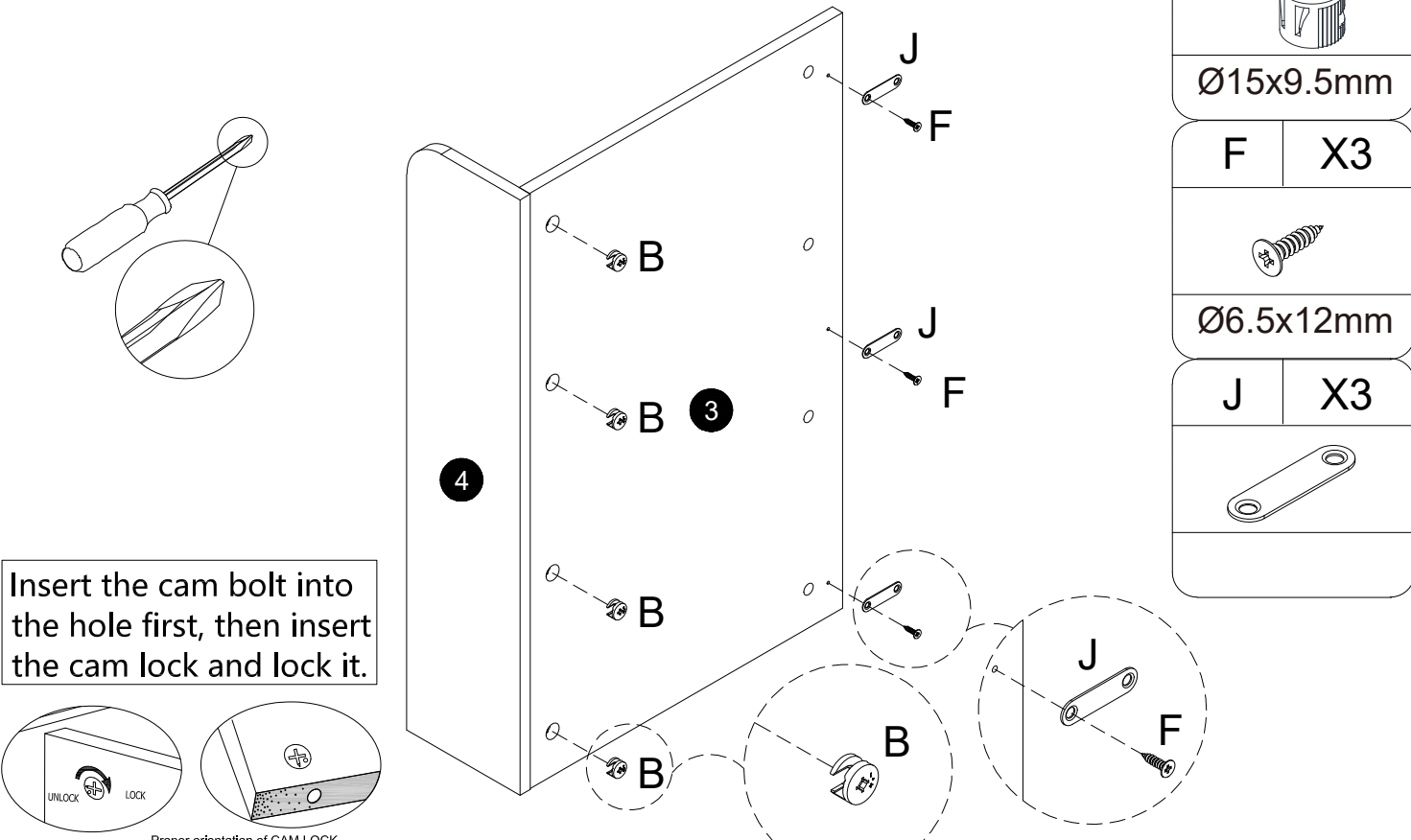
Insert the cam bolt into the hole first, then insert the cam lock and lock it.




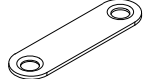
STEP 3

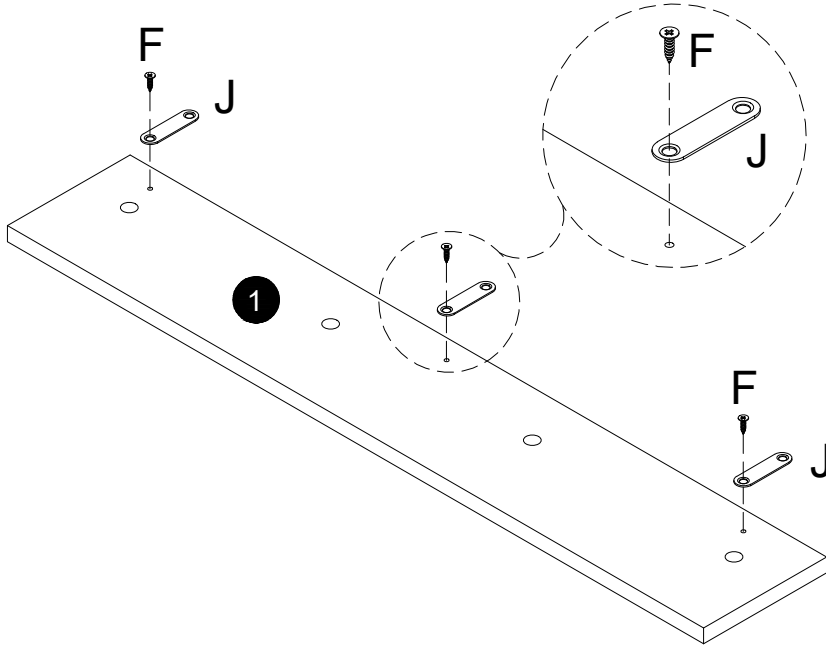


STEP 4

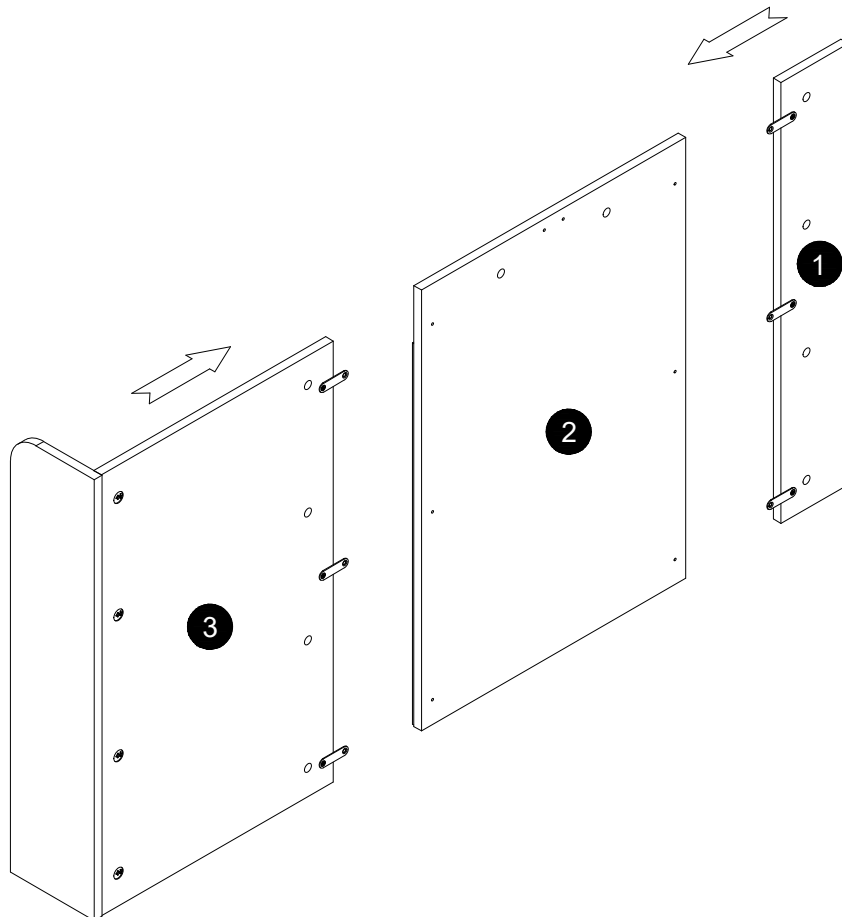


STEP 5

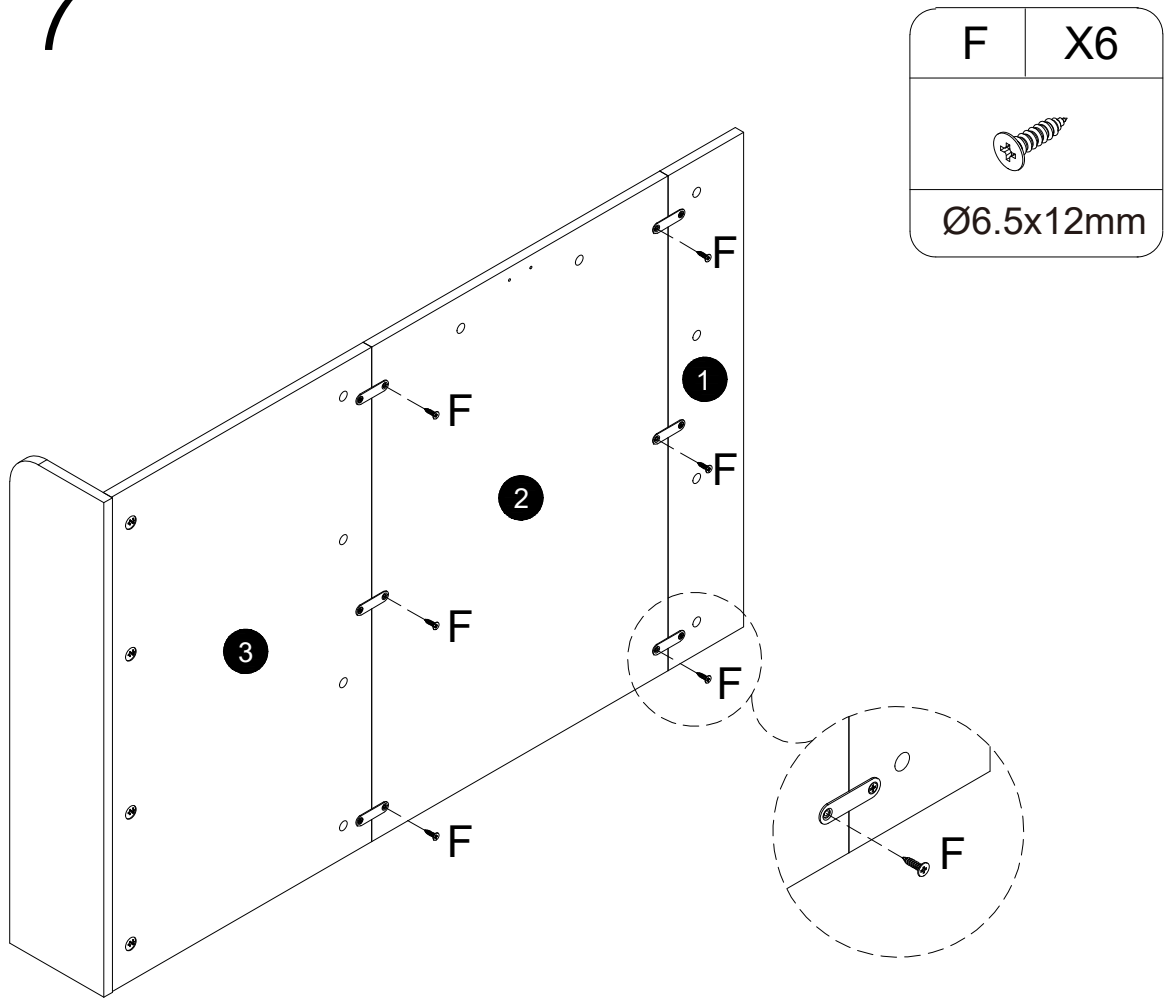
F	X3	J	X3
			
Ø6.5x12mm			



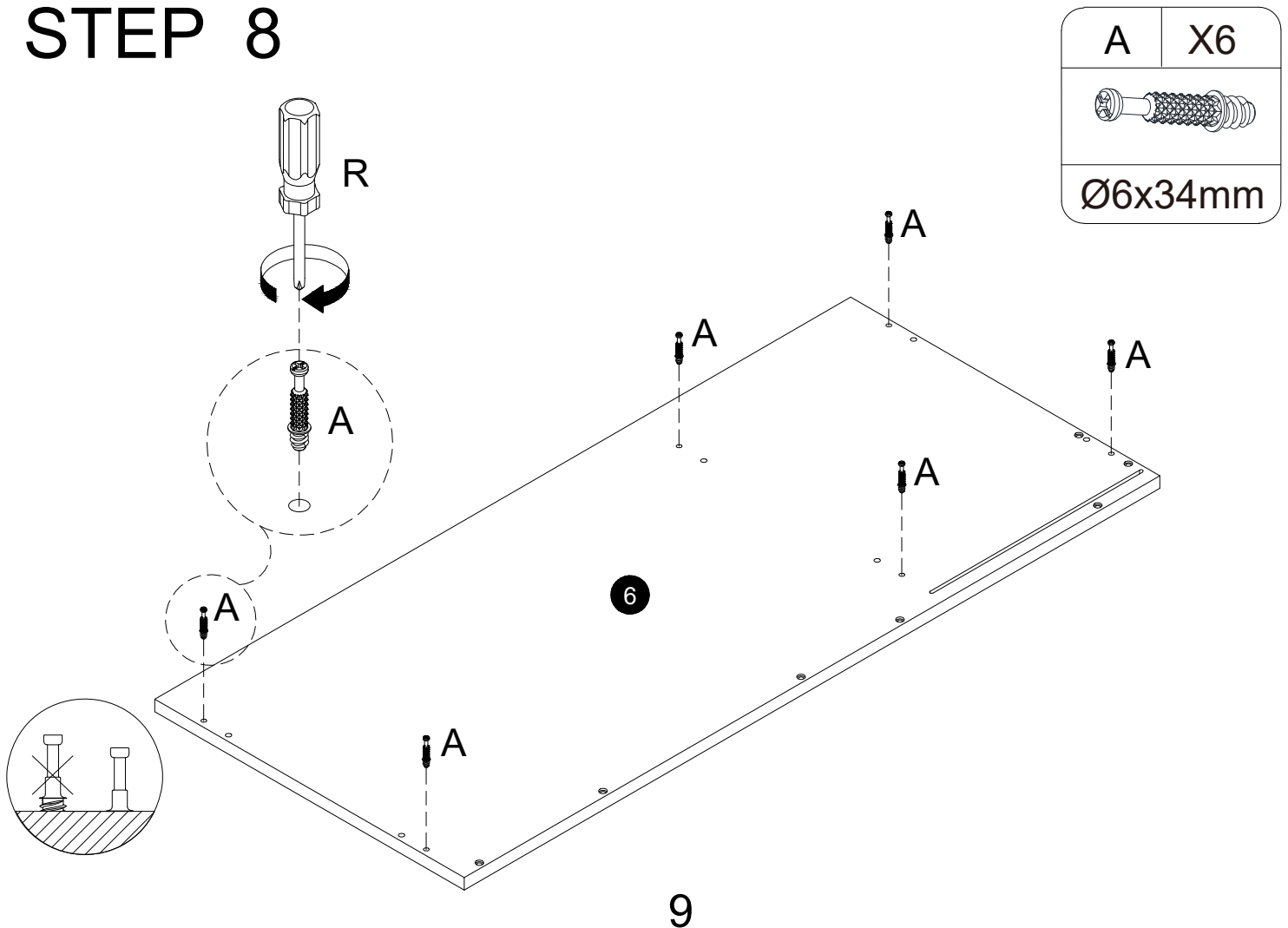
STEP 6



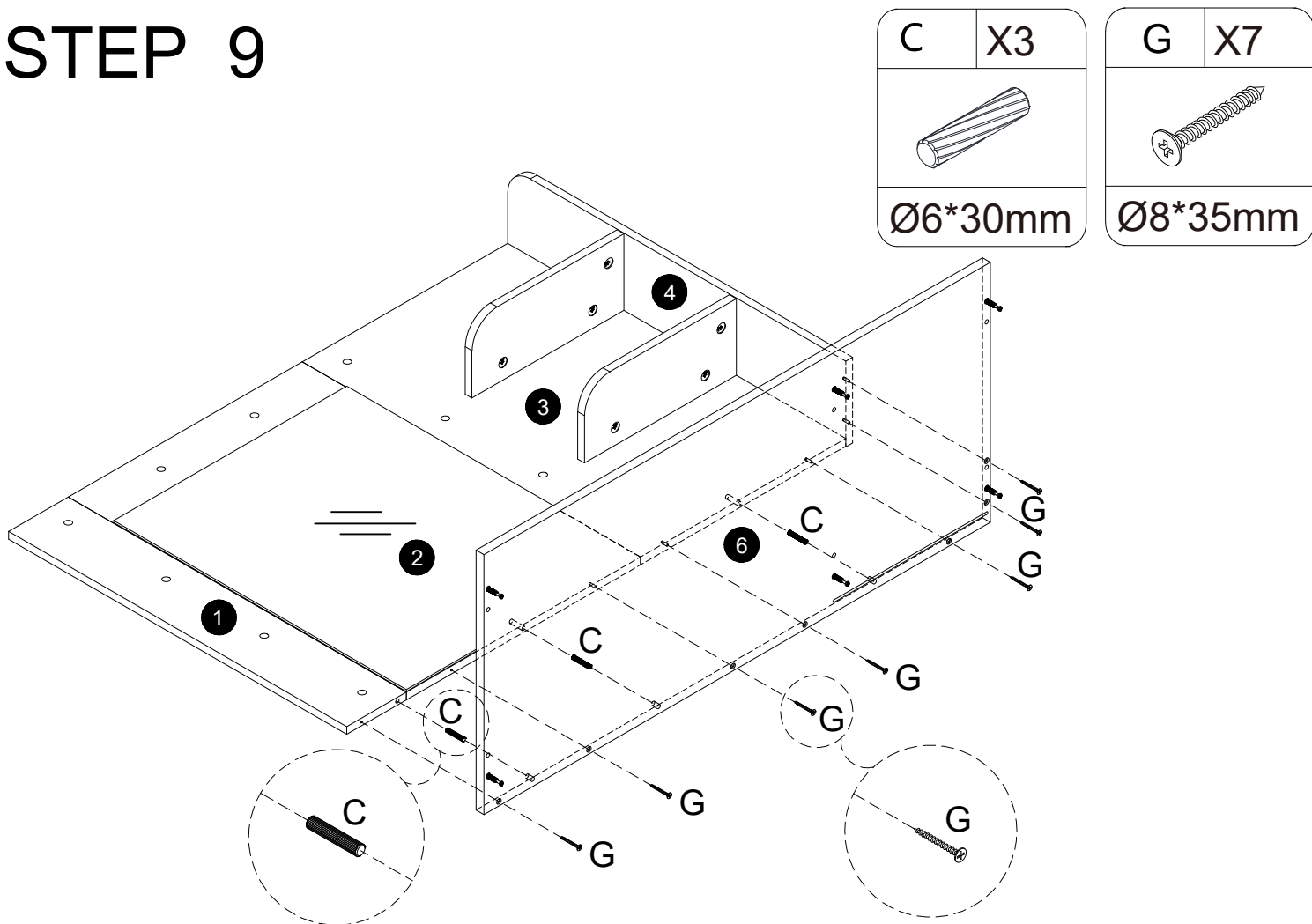
STEP 7



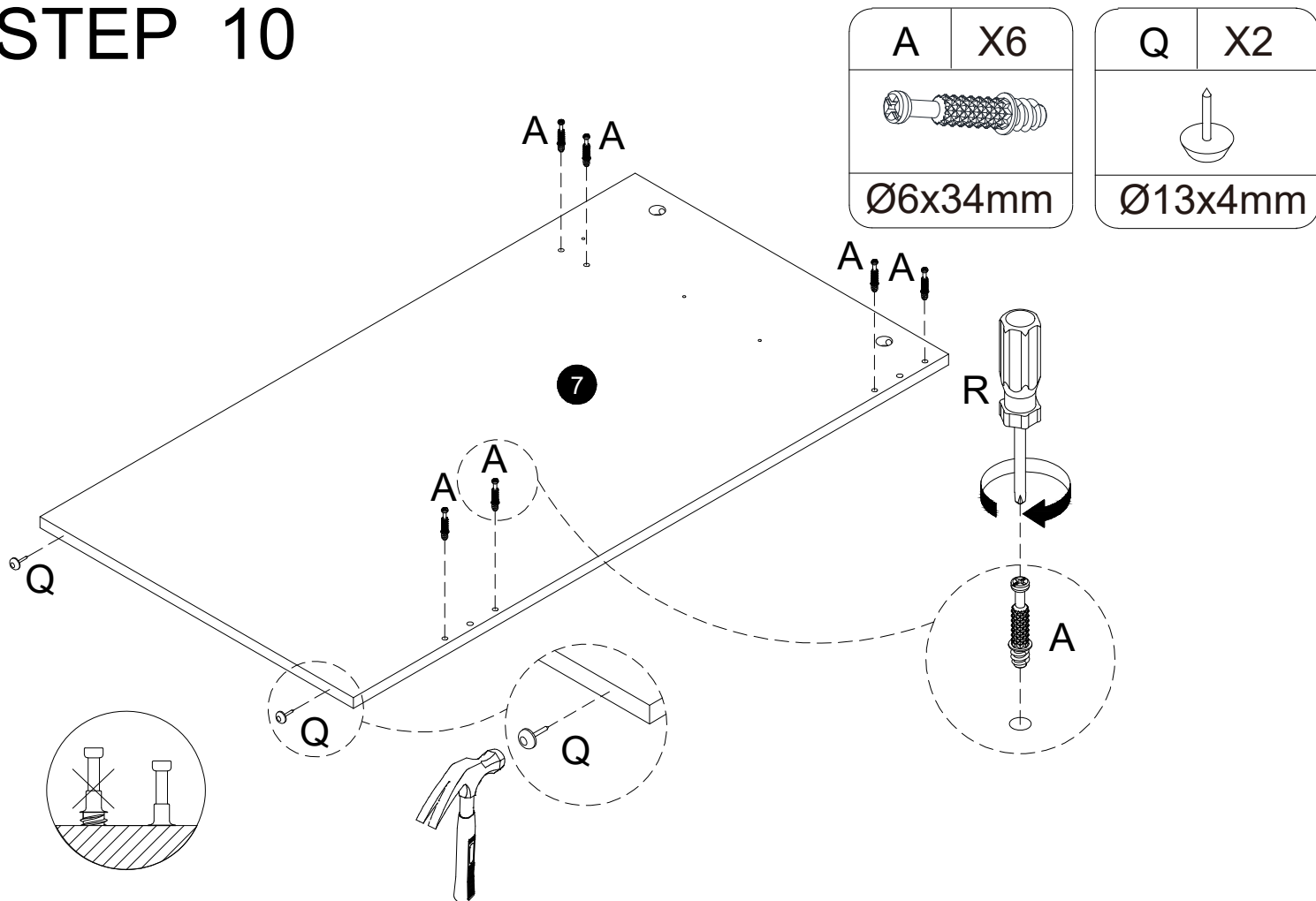
STEP 8




STEP 9




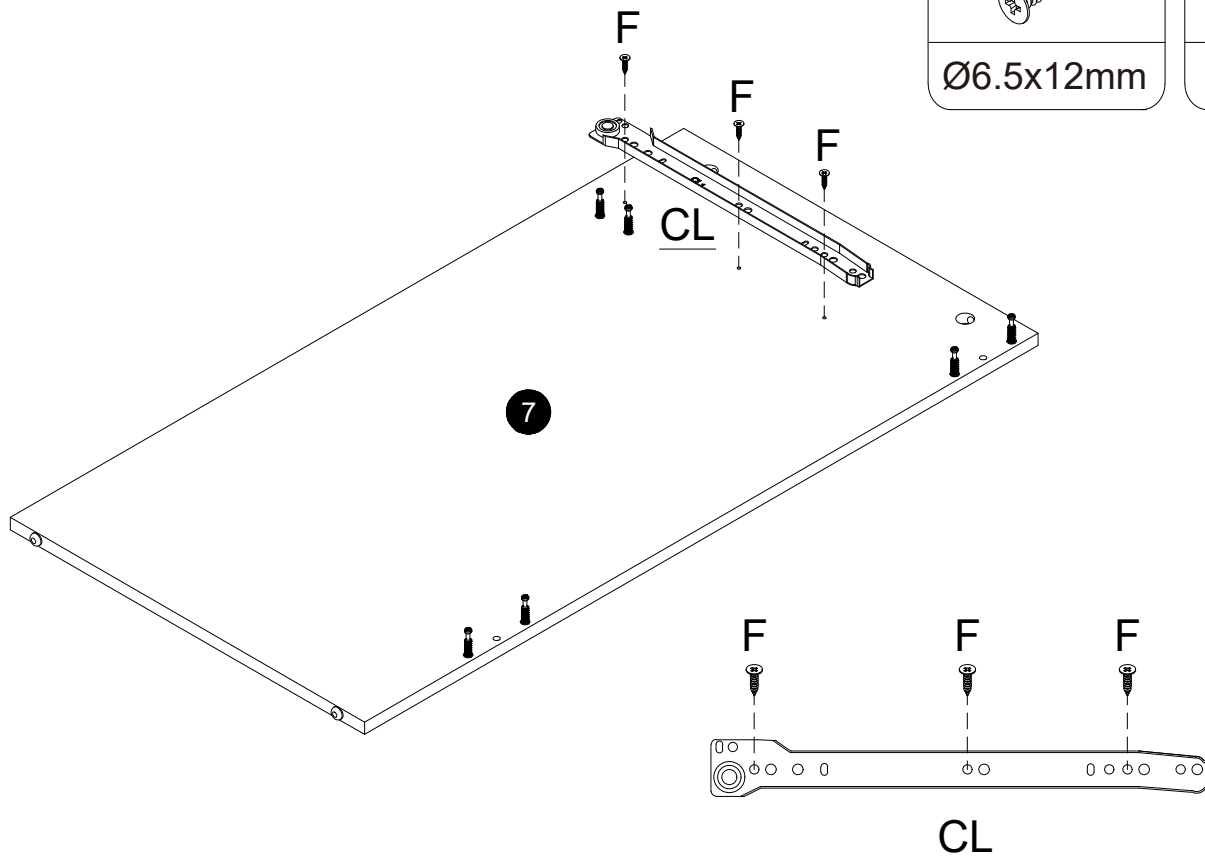
STEP 10




STEP 11

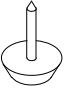
F	X3
	
$\text{Ø}6.5 \times 12 \text{mm}$	

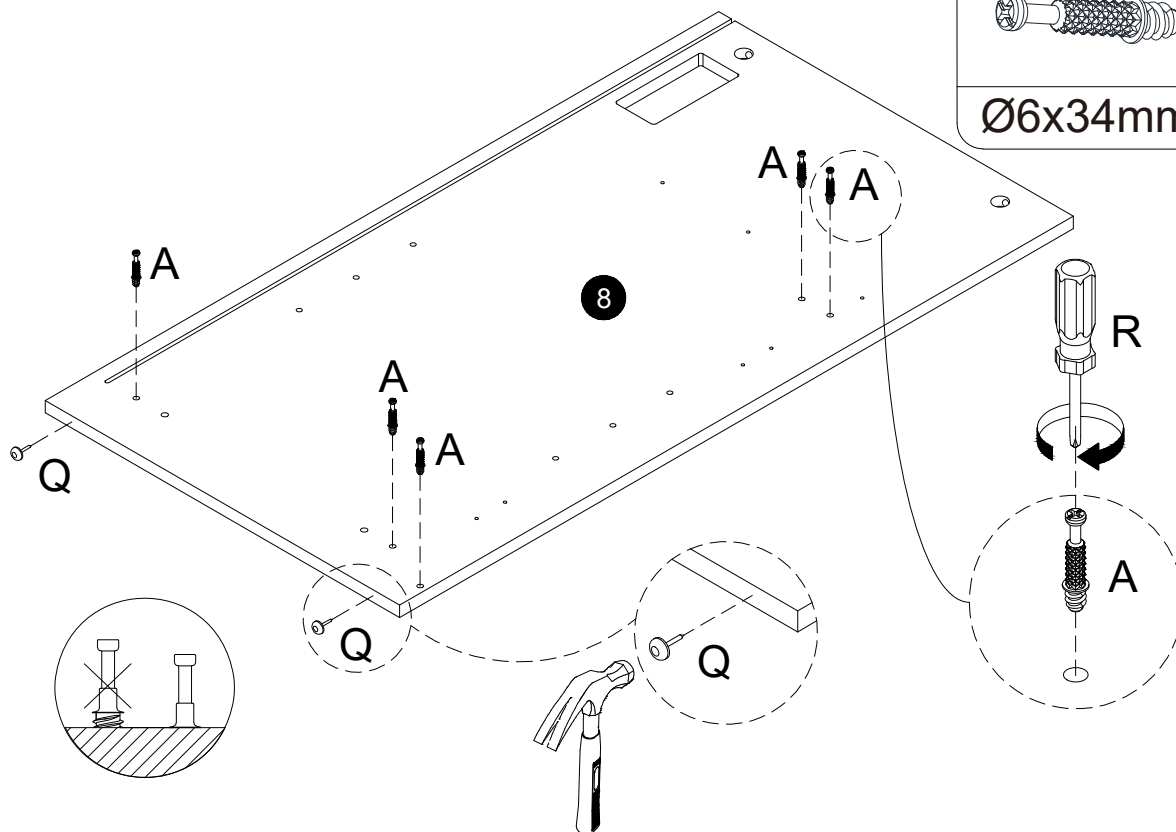
S	X1
	
$L=300 \text{mm}$	




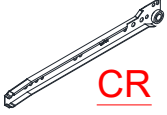
STEP 12

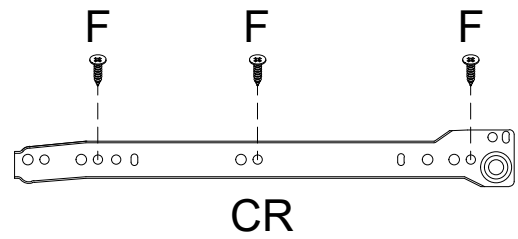
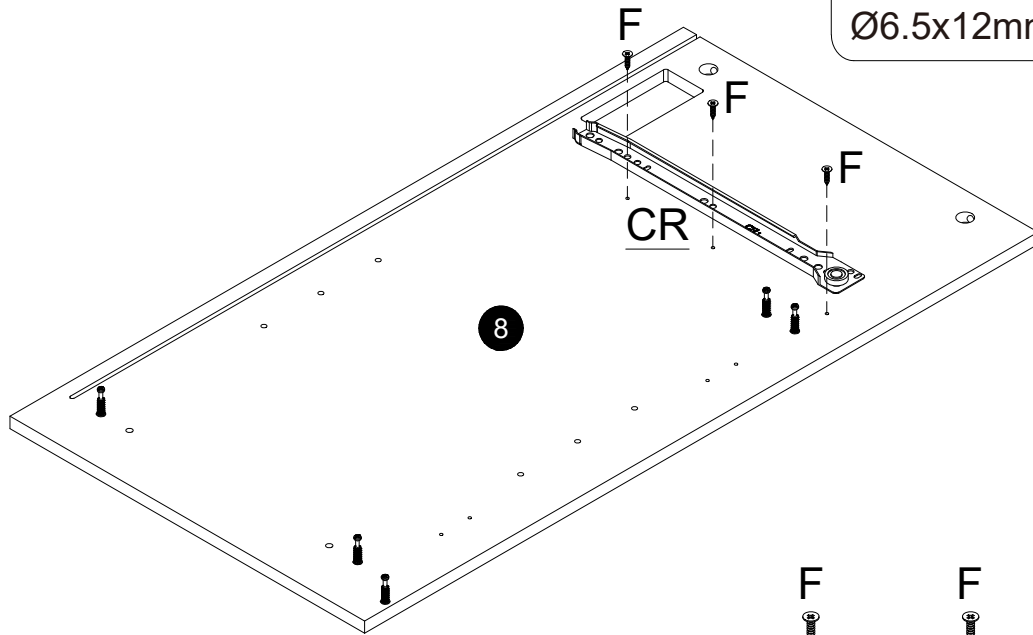
A	X5
	
$\text{Ø}6 \times 34 \text{mm}$	

Q	X2
	
$\text{Ø}13 \times 4 \text{mm}$	

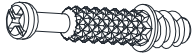
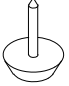


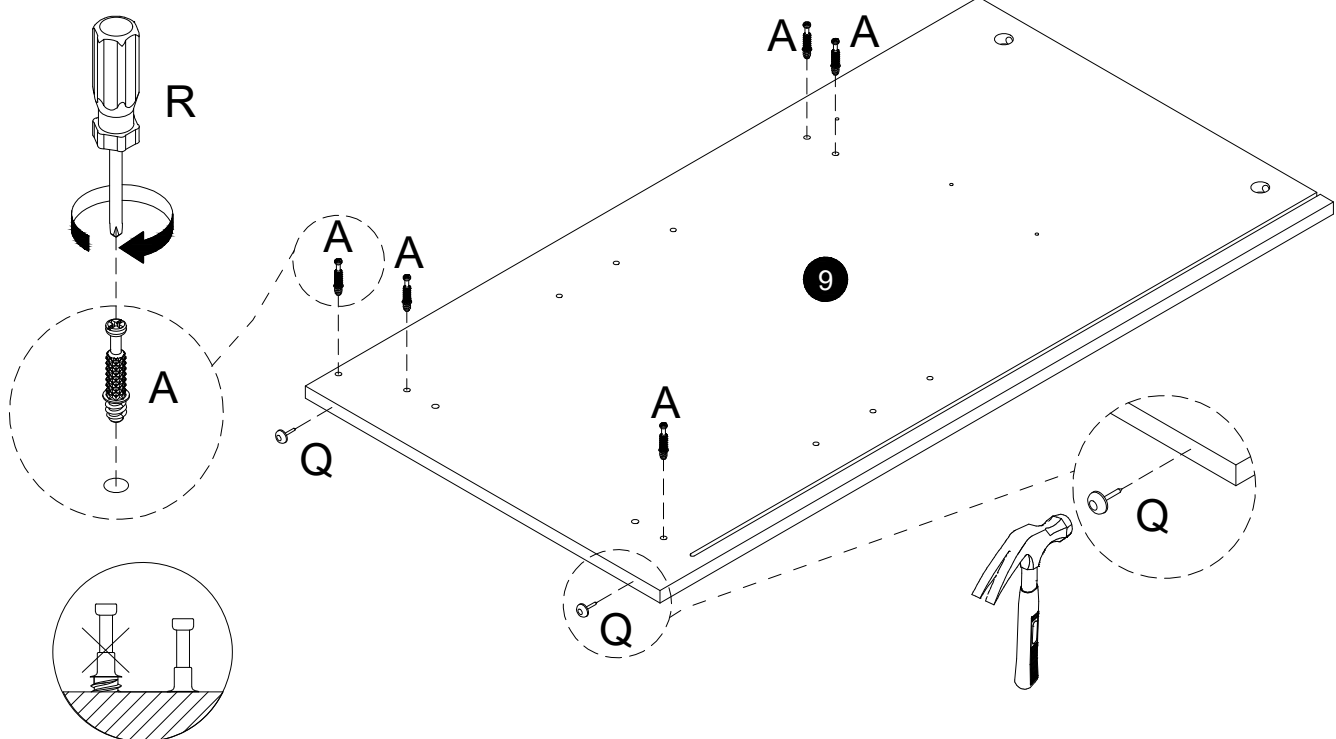
STEP 13

F	X3	S	X1
			
Ø6.5x12mm		L=300mm	


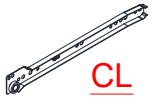


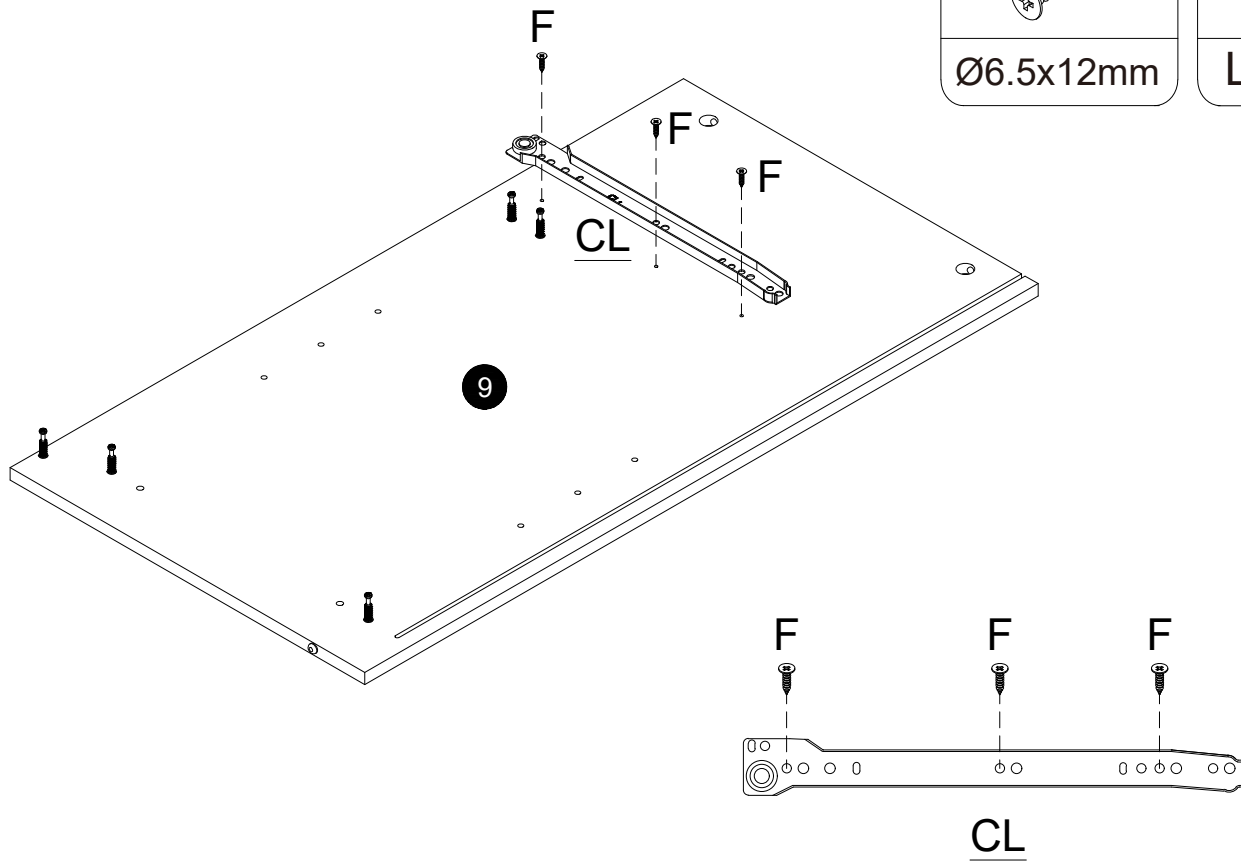
STEP 14

A	X5	Q	X2
			
Ø6x34mm		Ø13x4mm	

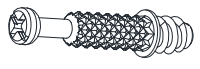


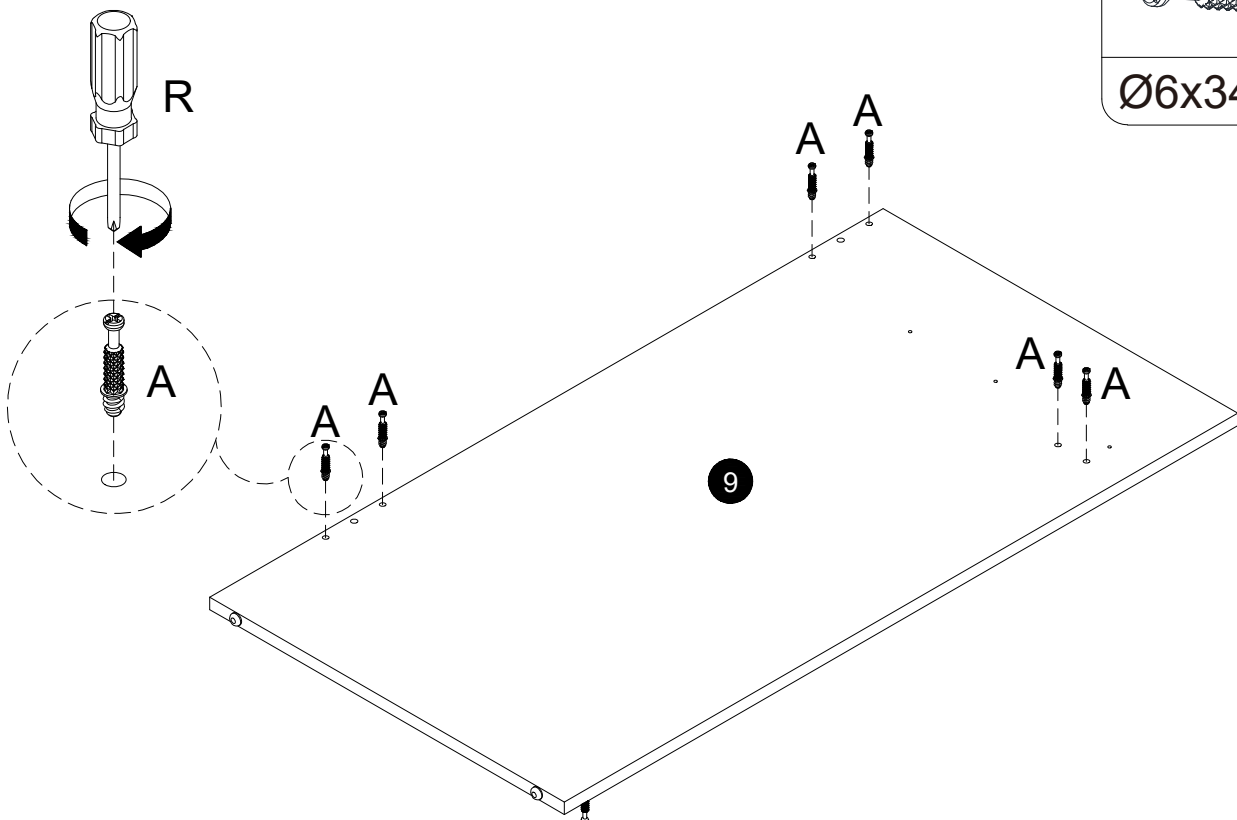
STEP 15

F	X3	S	X1
			
Ø6.5x12mm		L=300mm	


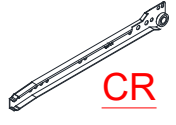


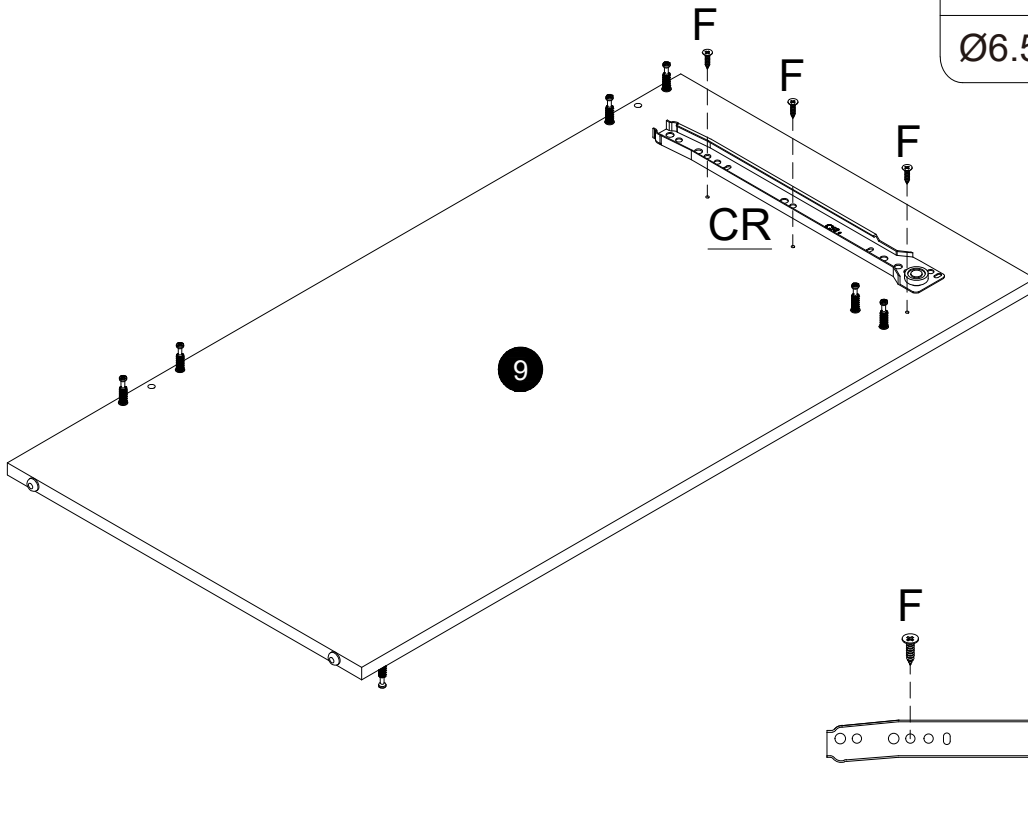
STEP 16

A	X6
	
Ø6x34mm	

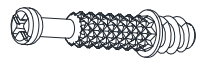


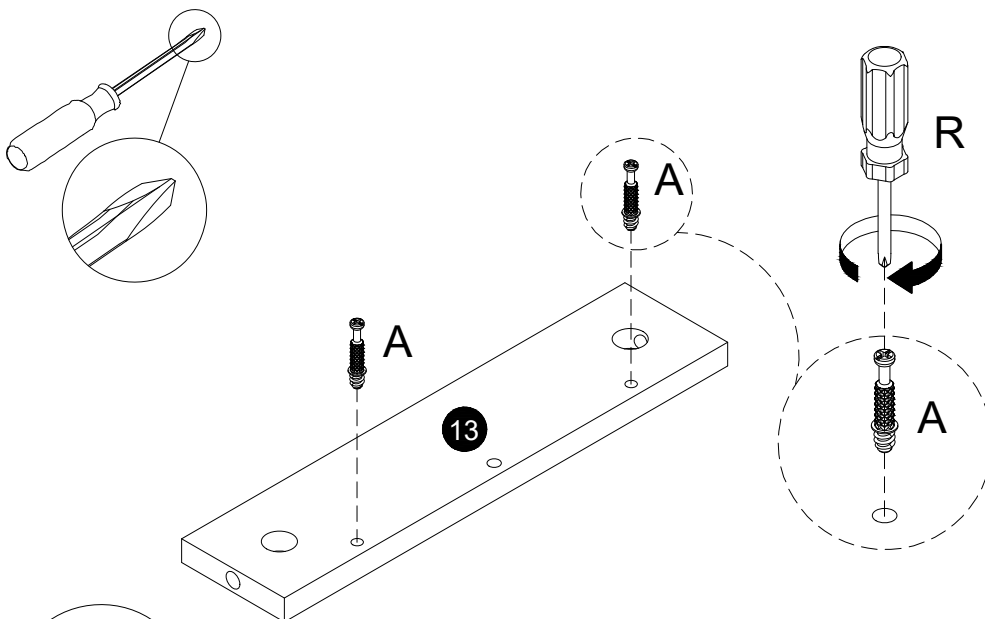
STEP 17

F	X3	S	X1
			
Ø6.5x12mm		L=300mm	

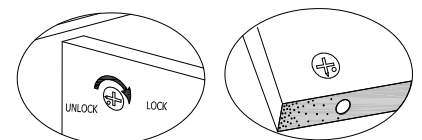
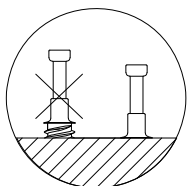


STEP 18

A	X2
	
Ø6x34mm	




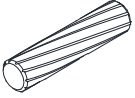
Insert the cam bolt into the hole first, then insert the cam lock and lock it.

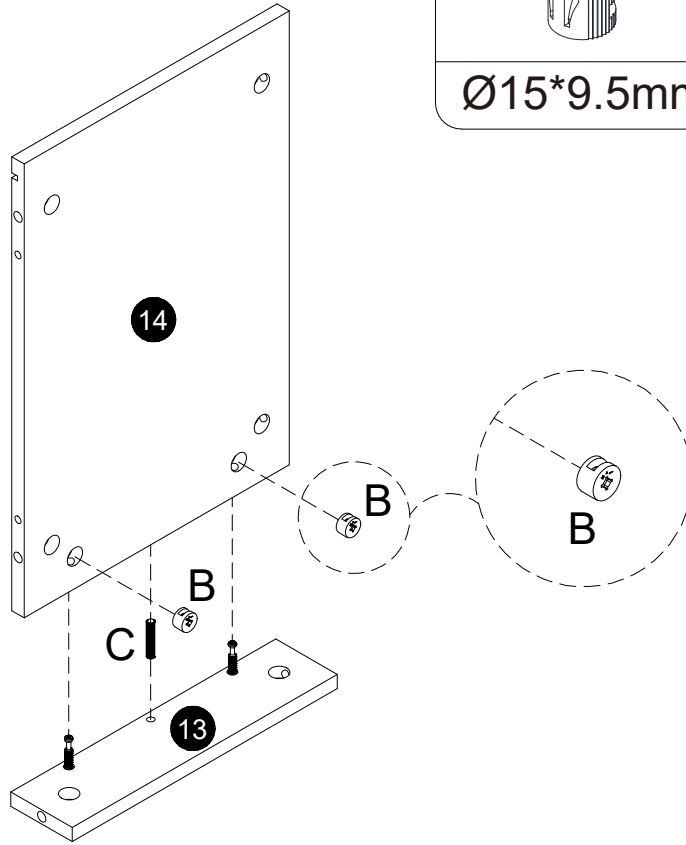


Proper orientation of CAM LOCK

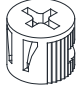
STEP 19

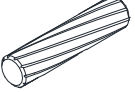
B	X2
	
Ø15*9.5mm	

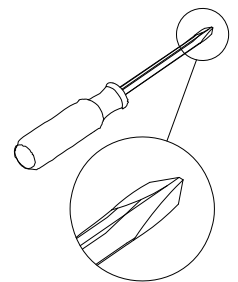
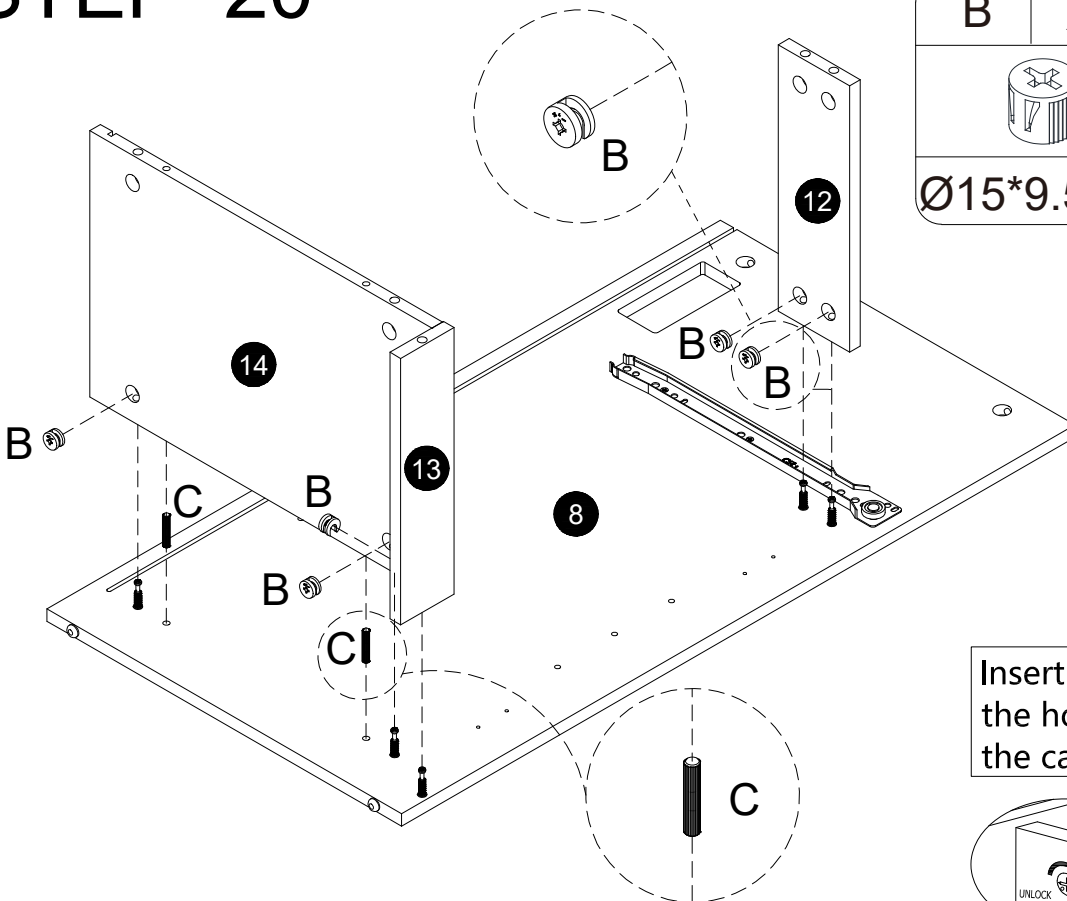
C	X1
	
Ø6*30mm	



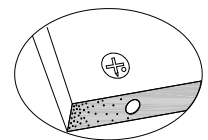
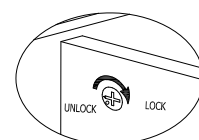
STEP 20

B	X5
	
Ø15*9.5mm	

C	X2
	
Ø6*30mm	

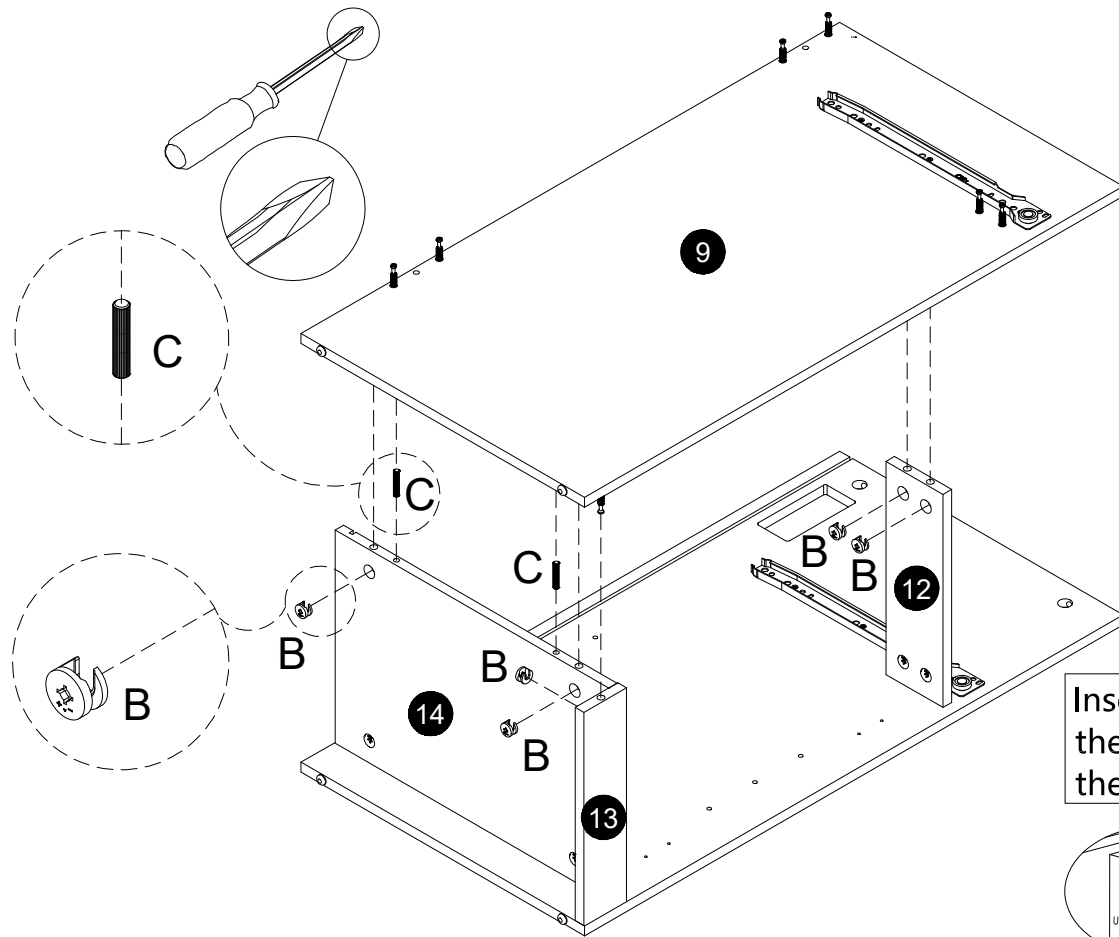



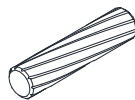
Insert the cam bolt into the hole first, then insert the cam lock and lock it.



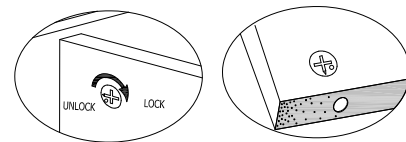
Proper orientation of CAM LOCK

STEP 21



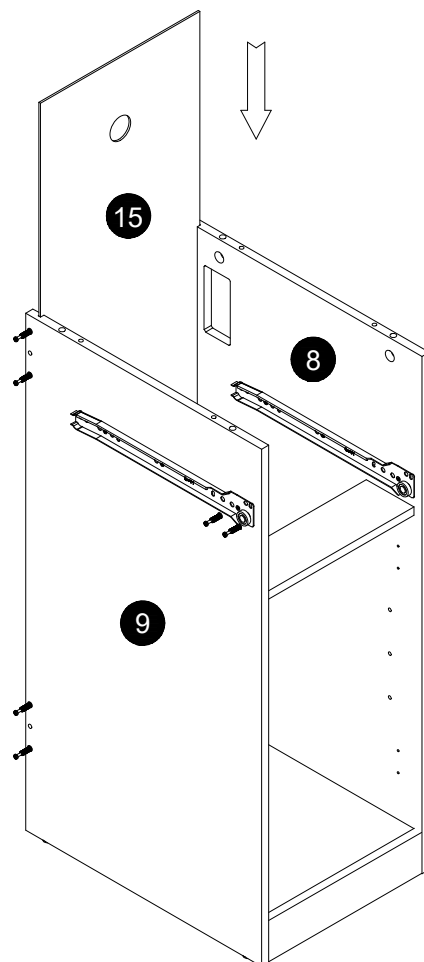
B	X5
	
Ø15*9.5mm	
C	X2
	
Ø6*30mm	

Insert the cam bolt into the hole first, then insert the cam lock and lock it.




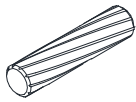
Proper orientation of CAM LOCK

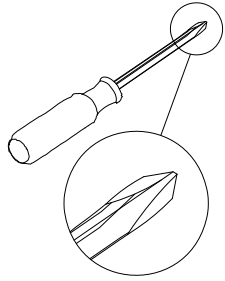
STEP 22



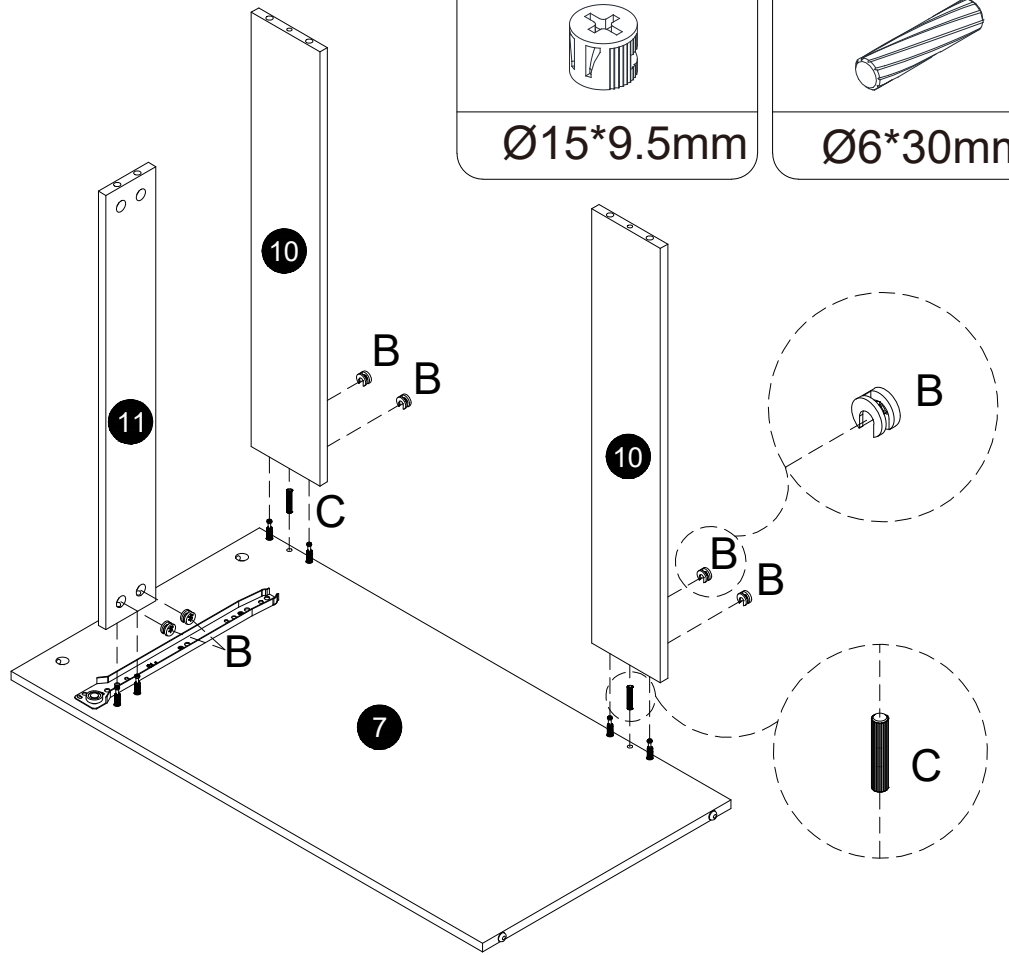
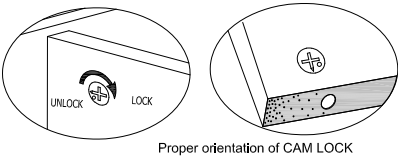
16

STEP 23


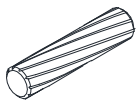
B	X6	C	X2
			
$\text{Ø}15*9.5\text{mm}$		$\text{Ø}6*30\text{mm}$	

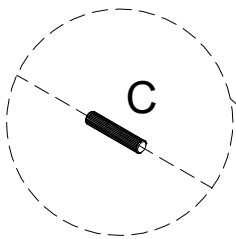


Insert the cam bolt into the hole first, then insert the cam lock and lock it.

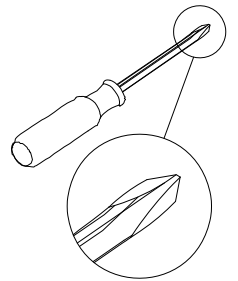
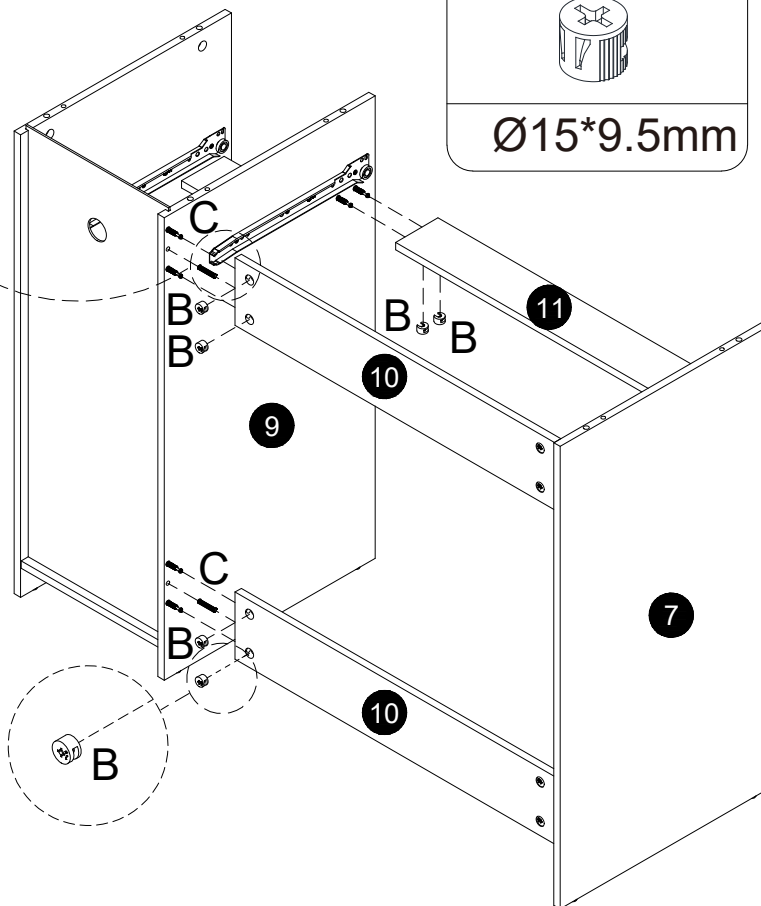
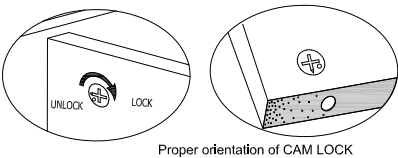


STEP 24

B	X6	C	X2
			
$\text{Ø}15*9.5\text{mm}$		$\text{Ø}6*30\text{mm}$	

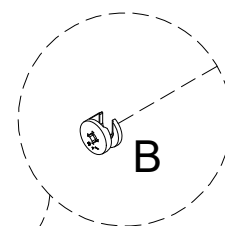
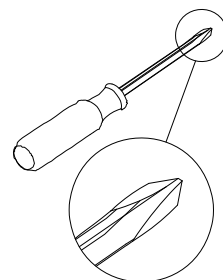
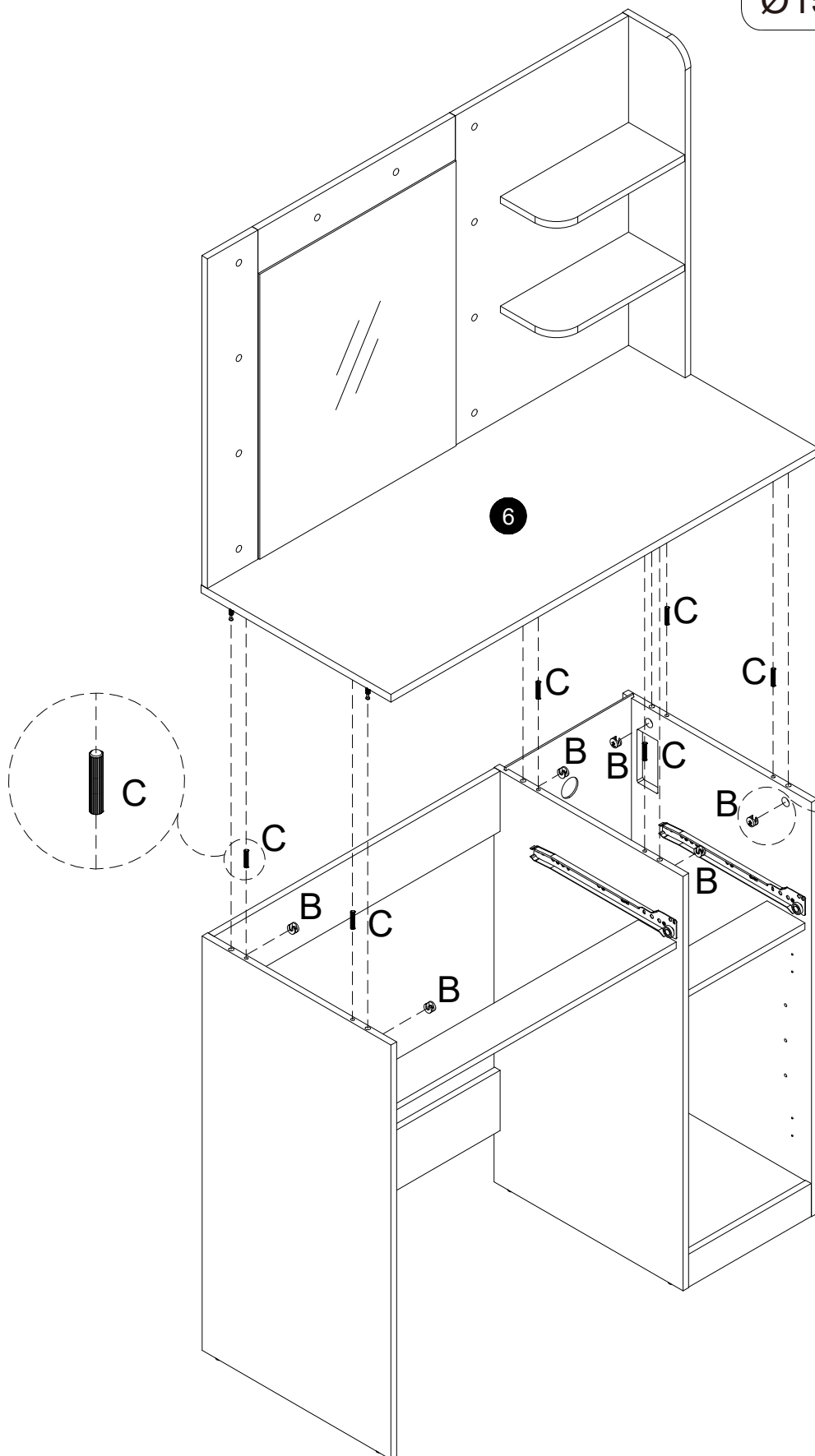


Insert the cam bolt into the hole first, then insert the cam lock and lock it.

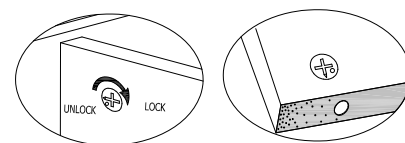


STEP 25

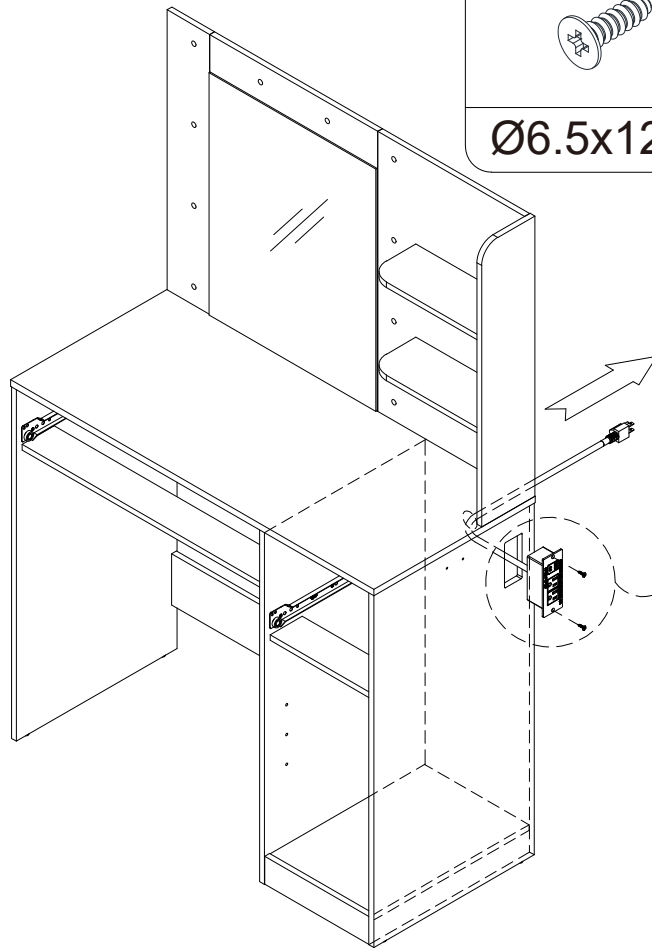
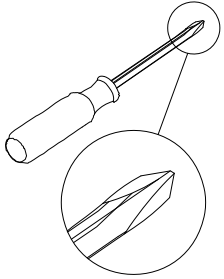
B	X6	C	X6
Ø15*9.5mm		Ø6*30mm	

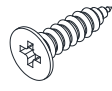


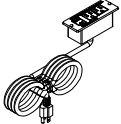
Insert the cam bolt into the hole first, then insert the cam lock and lock it.

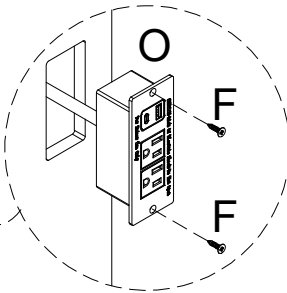


STEP 26

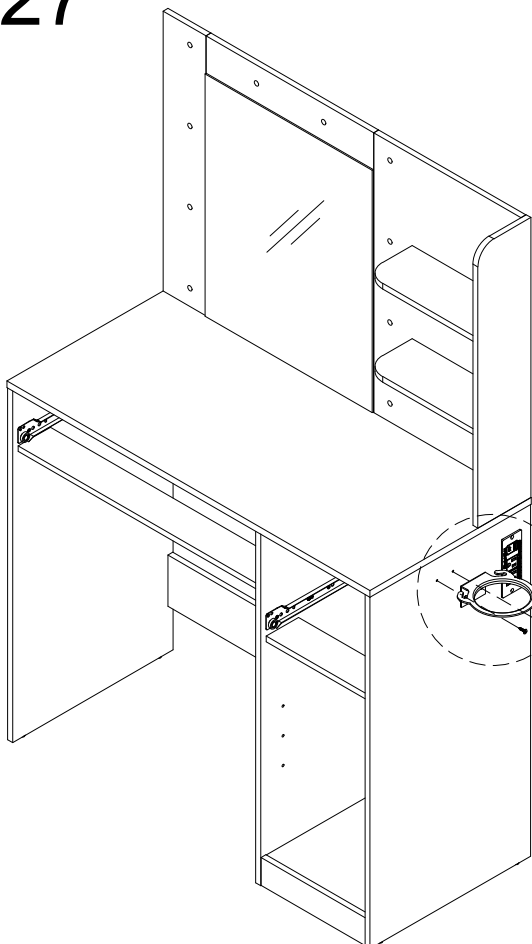


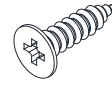
F	X2
	
Ø6.5x12mm	

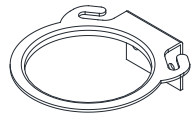
O	X1
	

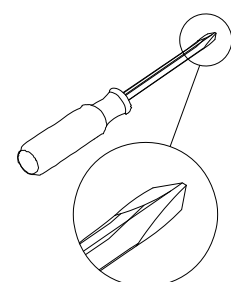
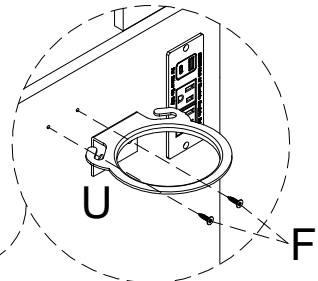


STEP 27

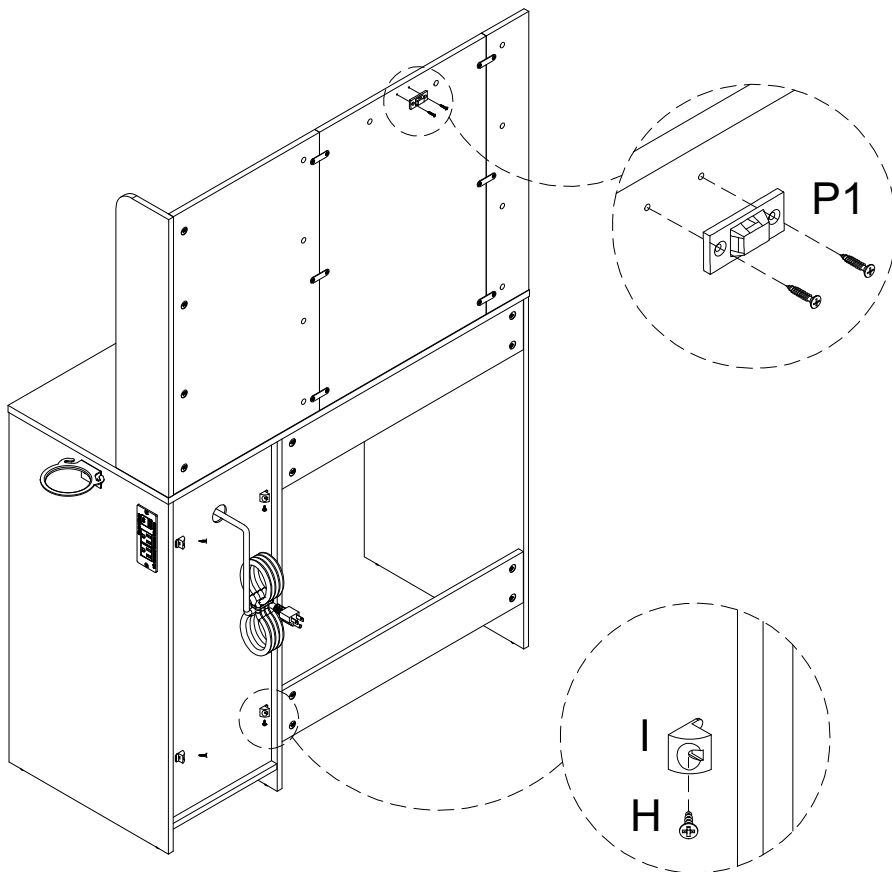
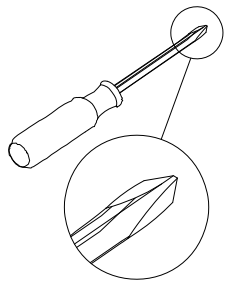


F	X2
	
Ø6.5x12mm	

U	X1
	



STEP 28



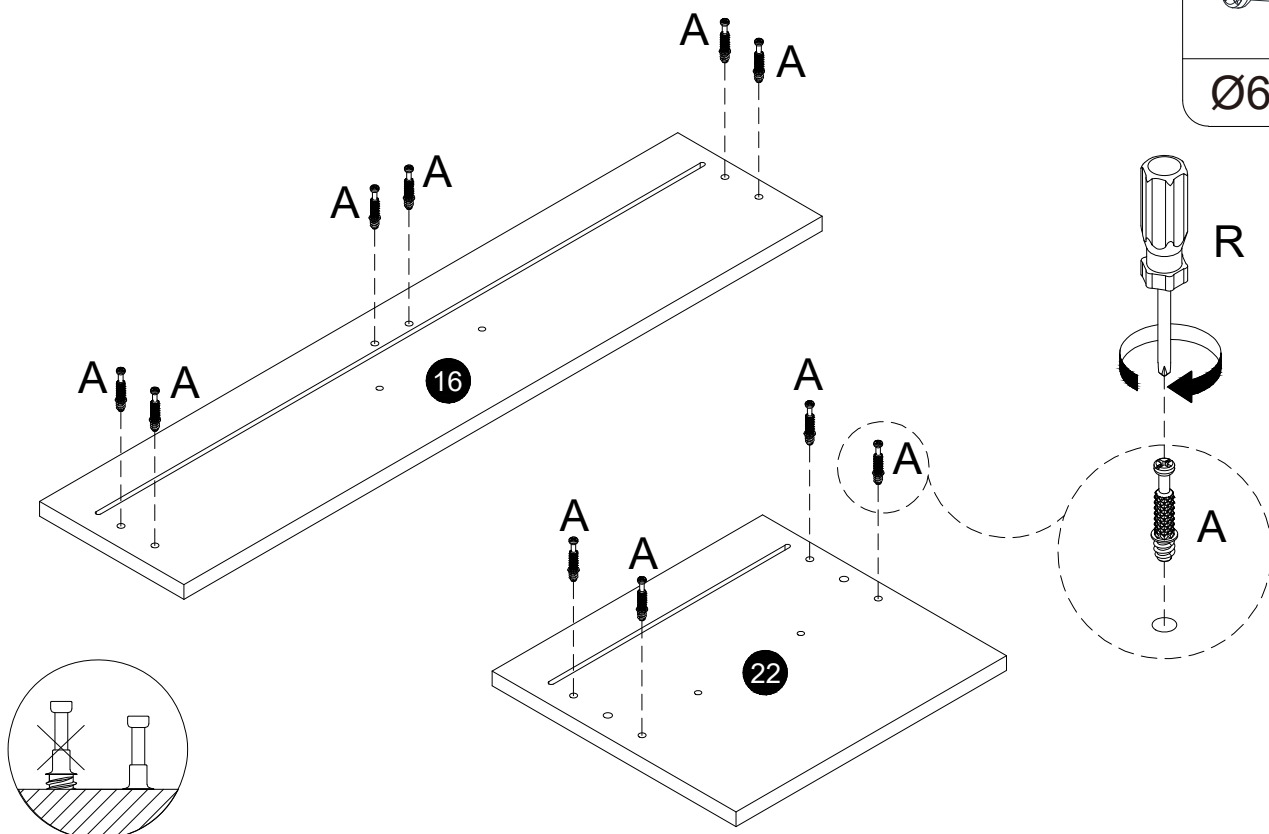
H	X4
Ø3x15mm	

I	X4

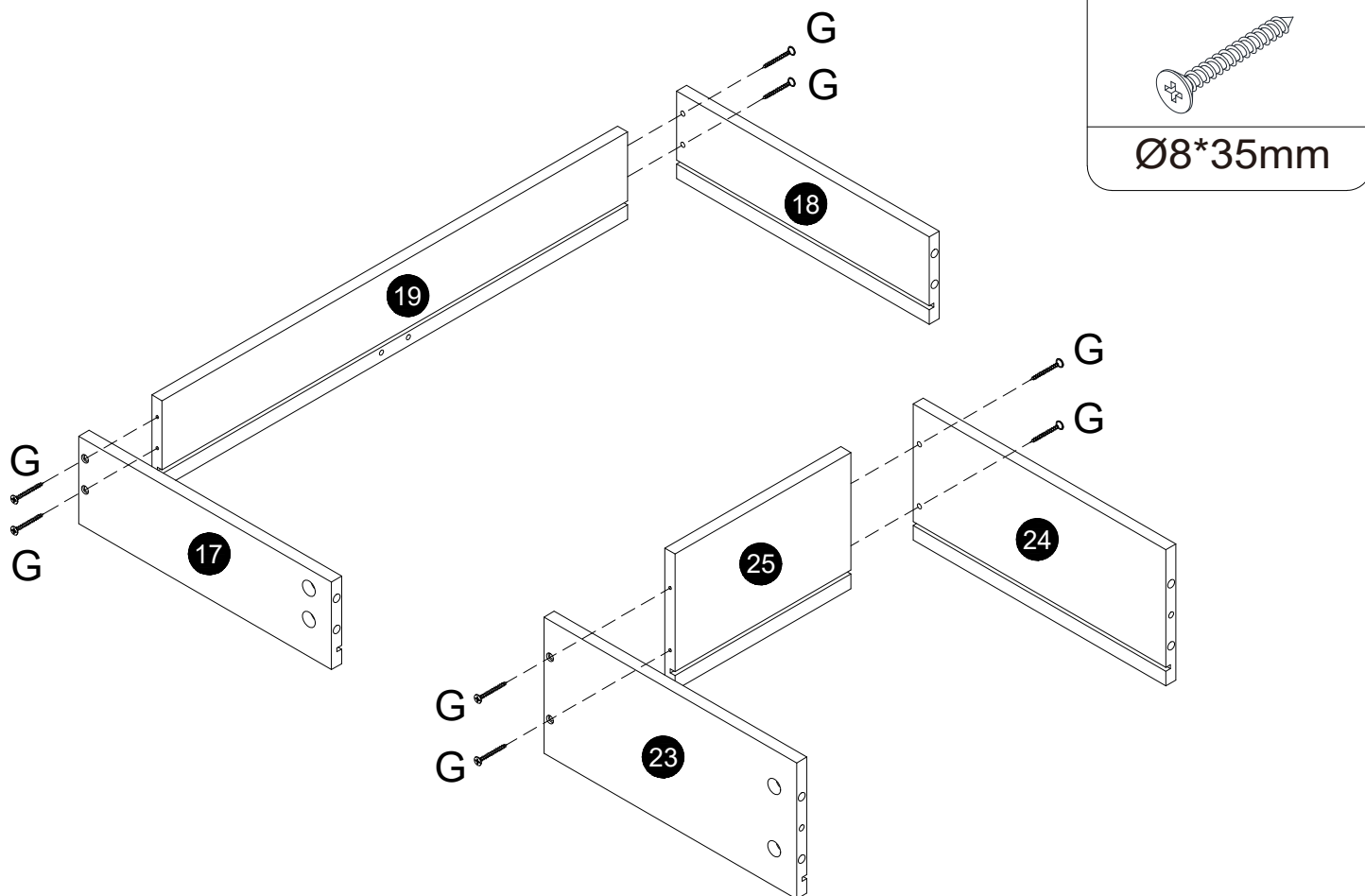
P1	X1

STEP 29

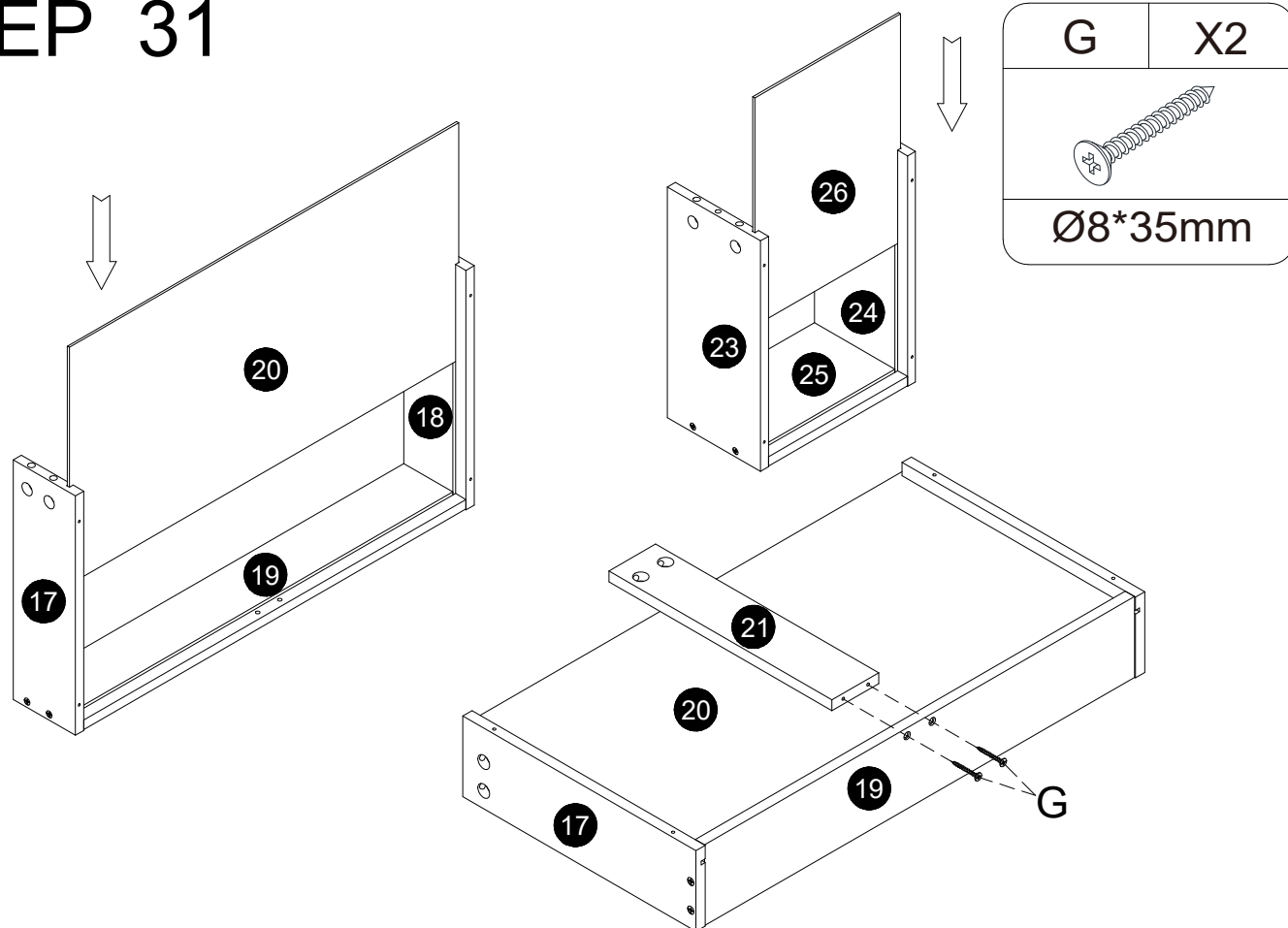
A	X10
Ø6x34mm	



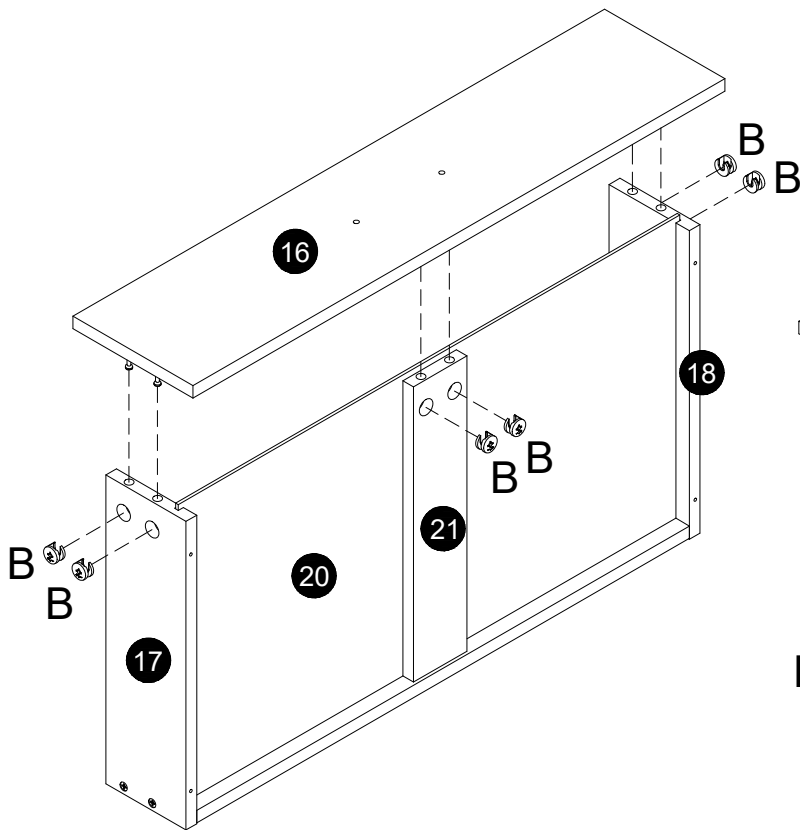
STEP 30




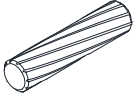
STEP 31

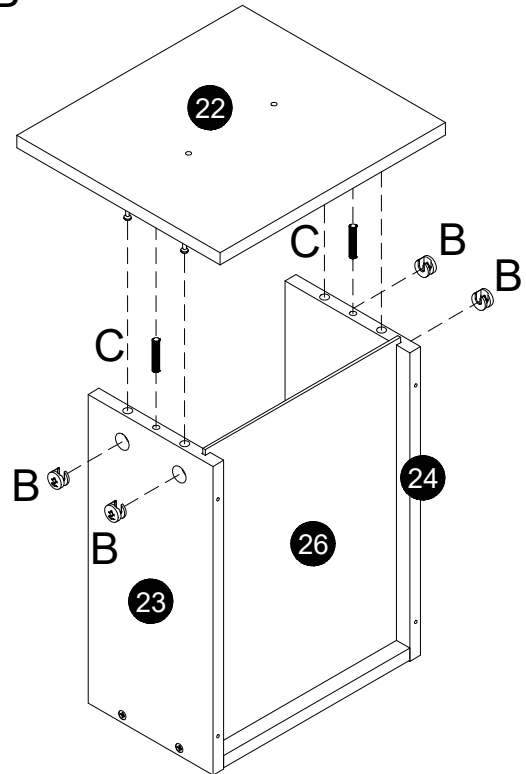


STEP 32

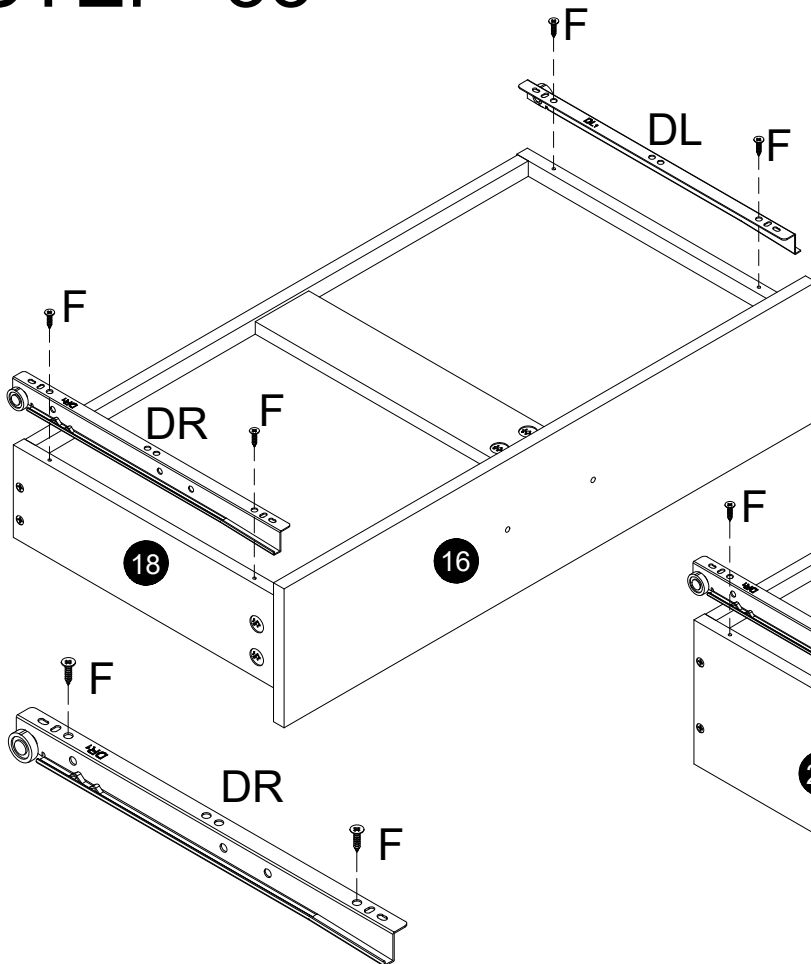


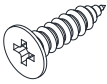
B	X10
	
Ø15*9.5mm	

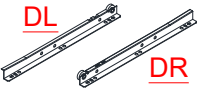
C	X2
	
Ø6*30mm	

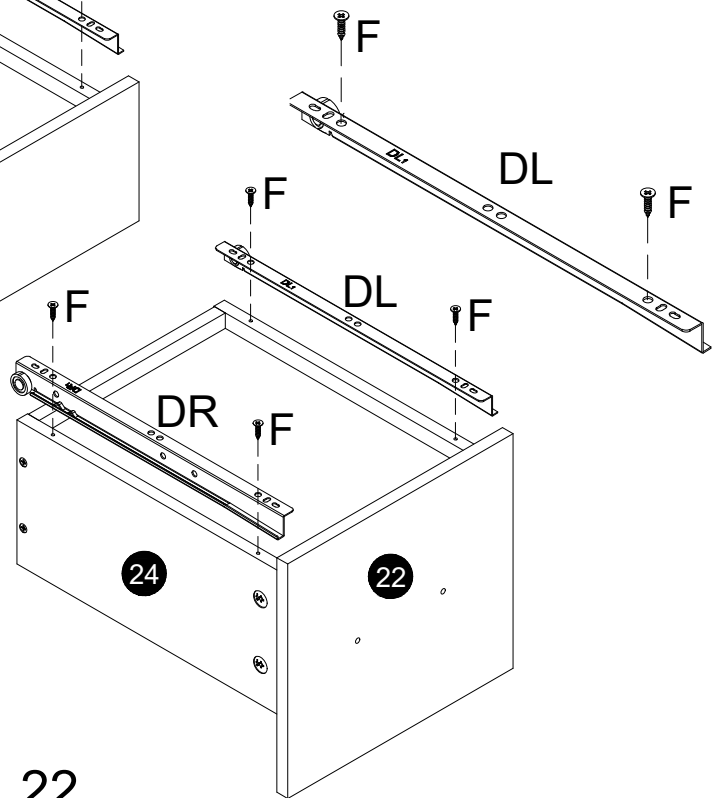


STEP 33

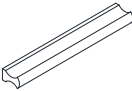


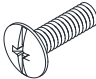
F	X8
	
Ø6.5x12mm	

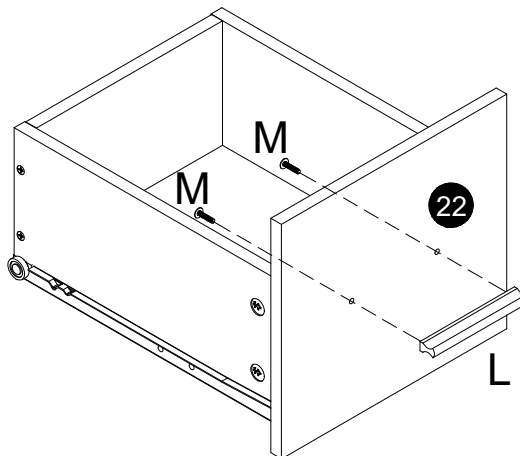
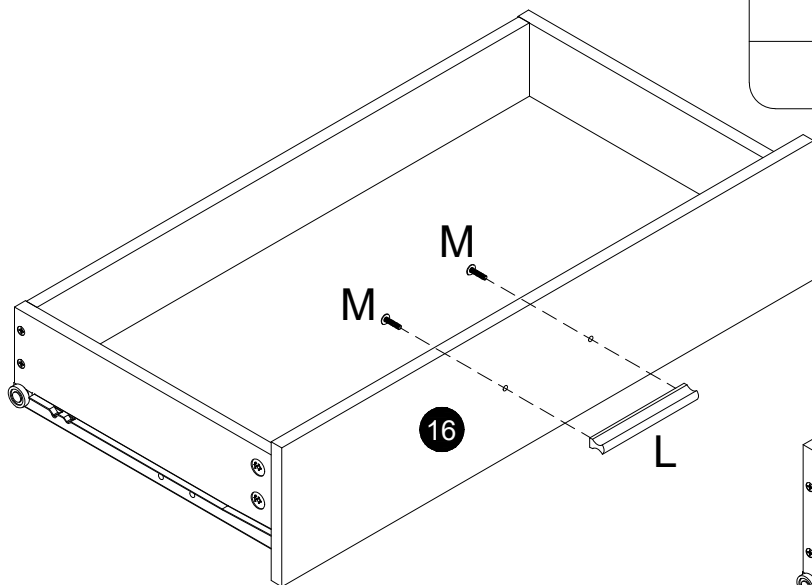
S	X2
	
L=300mm	



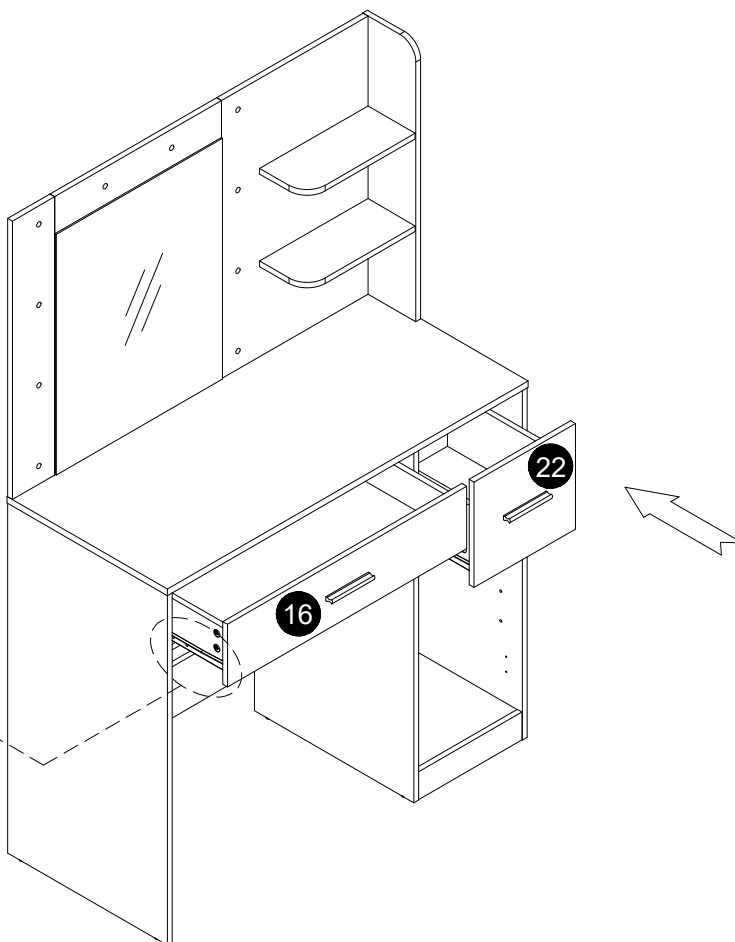
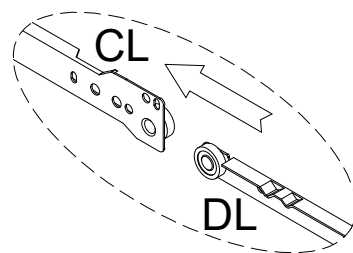
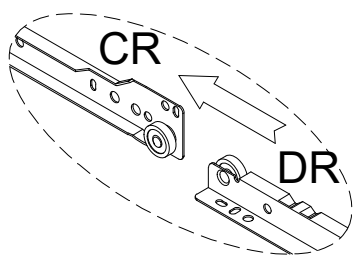
STEP 34

L	X2
	

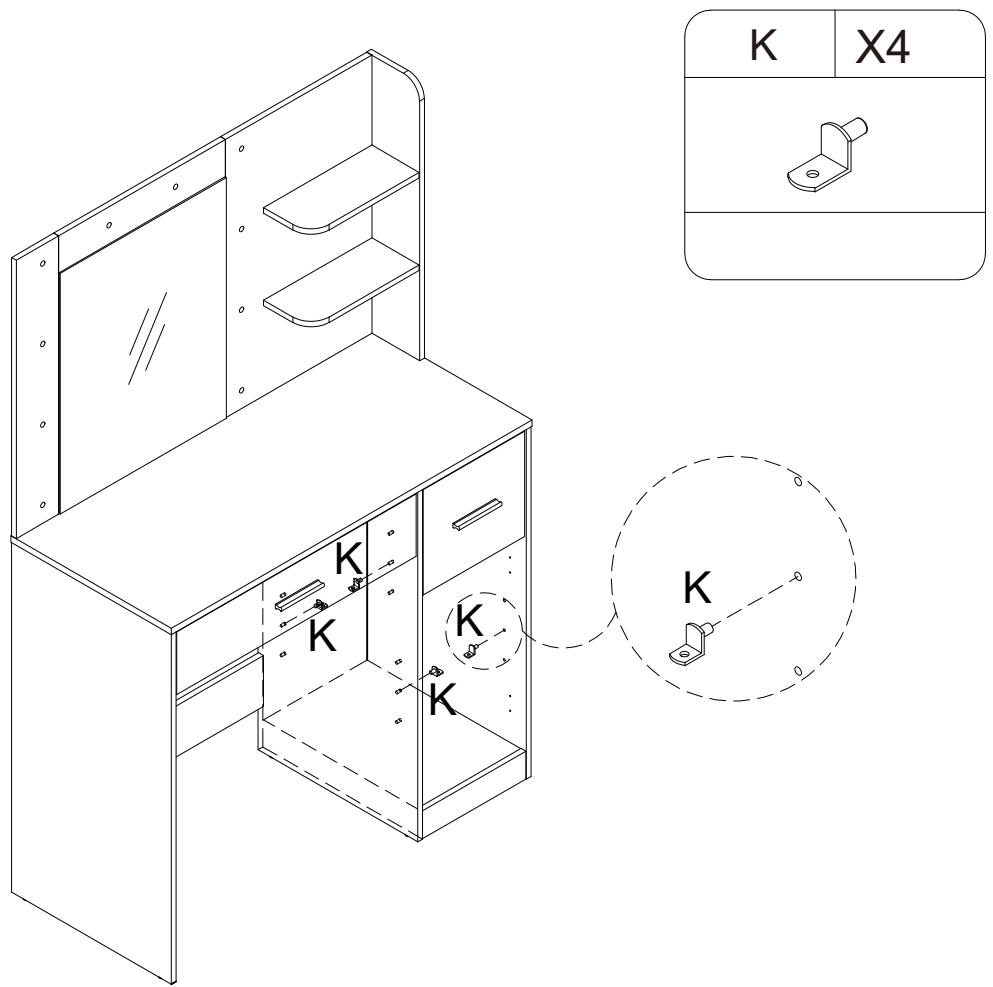
M	X4
	
Ø5/32"x16mm	



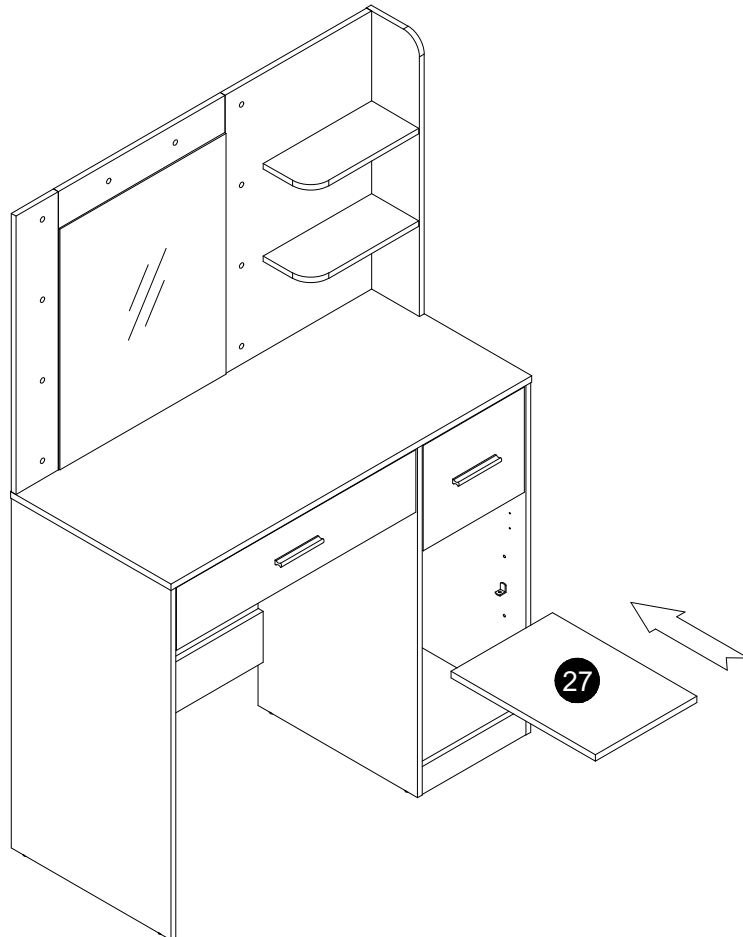
STEP 35



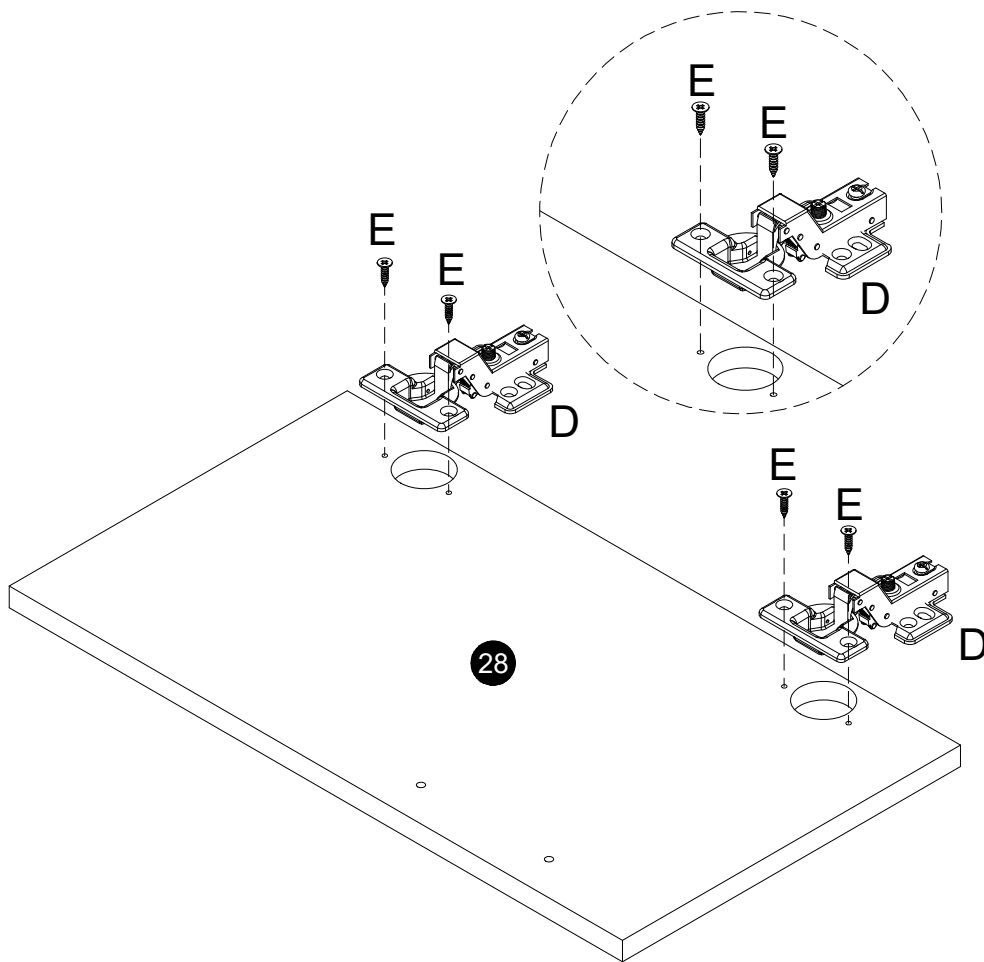
STEP 36

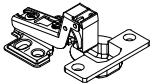


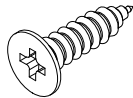
STEP 37



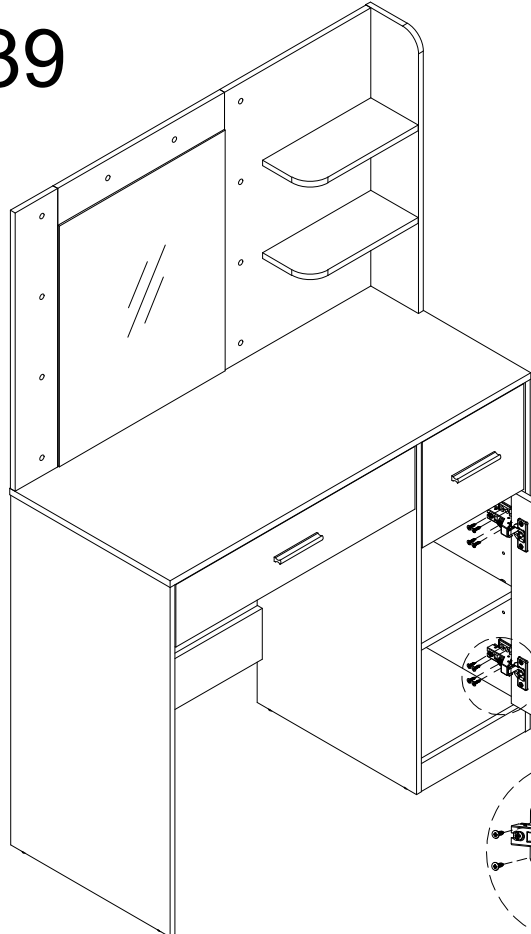
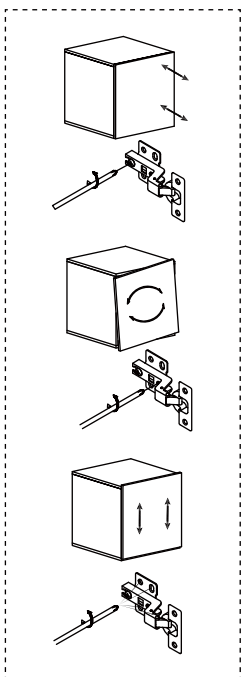
STEP 38

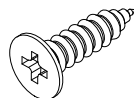


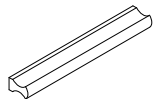
D	X2
	
Ø35mm	

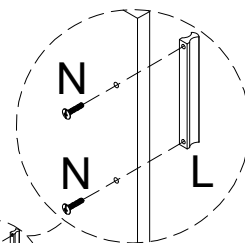
E	X4
	
Ø8*12mm	

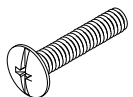
STEP 39

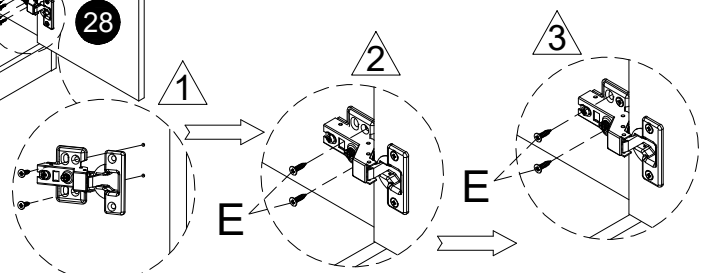


E	X8
	
Ø8*12mm	

L	X1
	



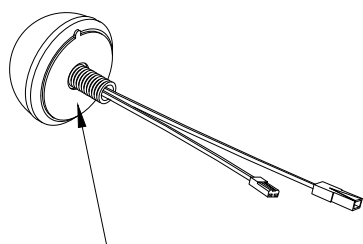
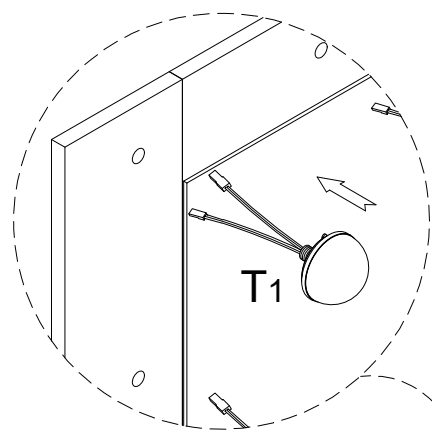
N	X2
	
Ø5/32*18mm	



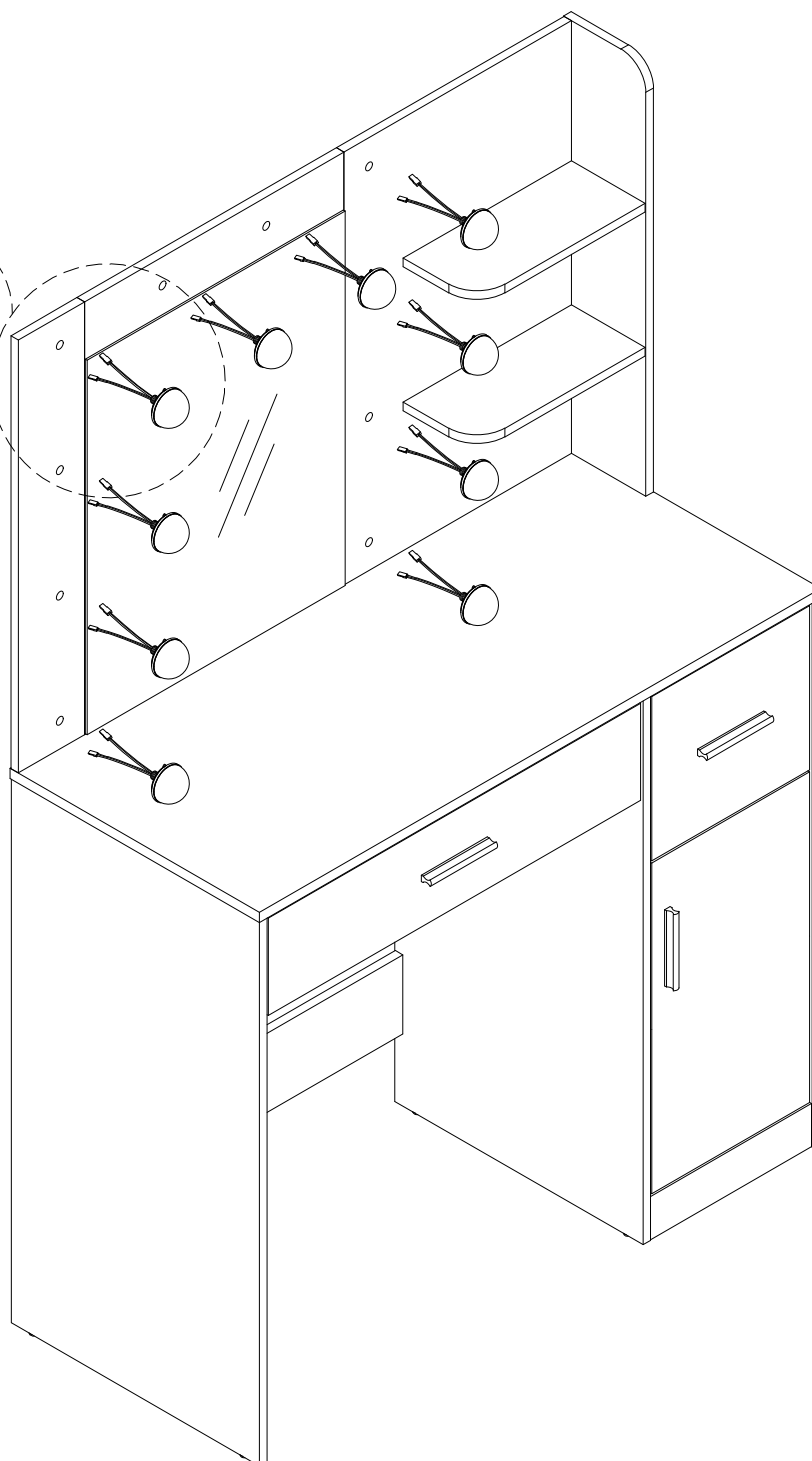
NOTE: After assembling the door, if there are any gaps or misalignment, adjust the hinges as shown right.


STEP 40

Pass the bulb wire through the pre punched plate, then gently press the bulb and make it adhere to the plate.



Tear off a layer of 3M polyethylene foam.

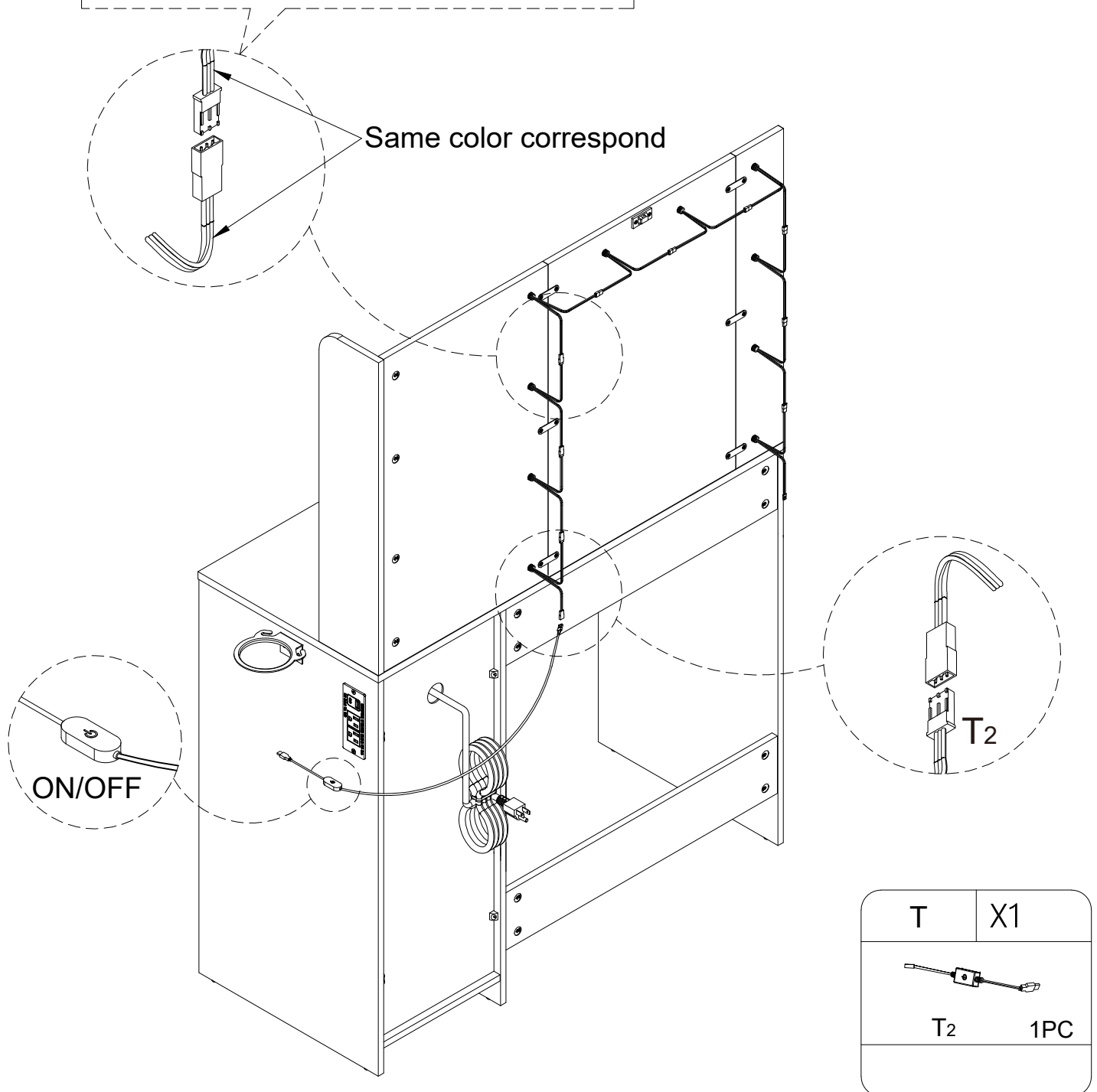


T	X1
	
T1	10PCS

STEP 41

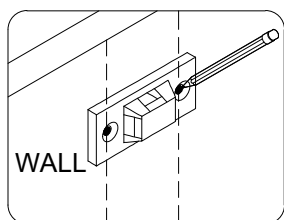
Pass the bulb wire through the pre punched plate, then gently press the bulb and make it adhere to the plate, and then connect the adjacent bulbs successively through the wire head slot on the opposite (corresponding to the line of the same color)

When connecting the interface, please note that the colors of the wires at both ends correspond one by one.

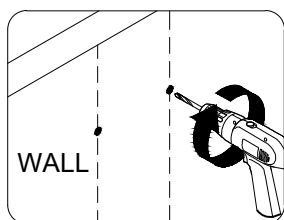


STEP 42

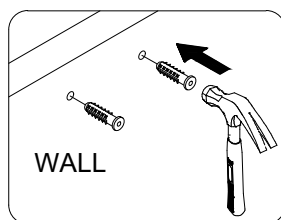
Install the tipping restraint hardware



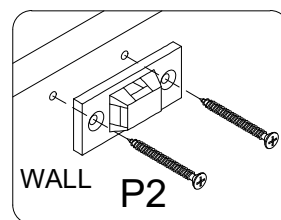
1. make mark on the wall



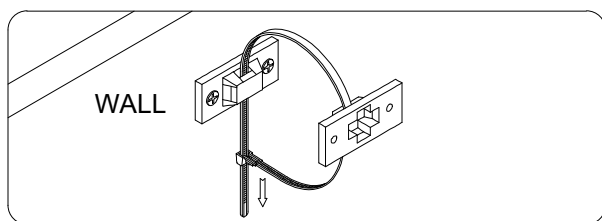
2. drill two Ø6 holes on the wall



3. put two anchors in the holes



4. fix the device on the wall by the long screws



5. Push the cabinet close to the wall so that the two bases are close to each other, and then put on nylon tie to tighten it

