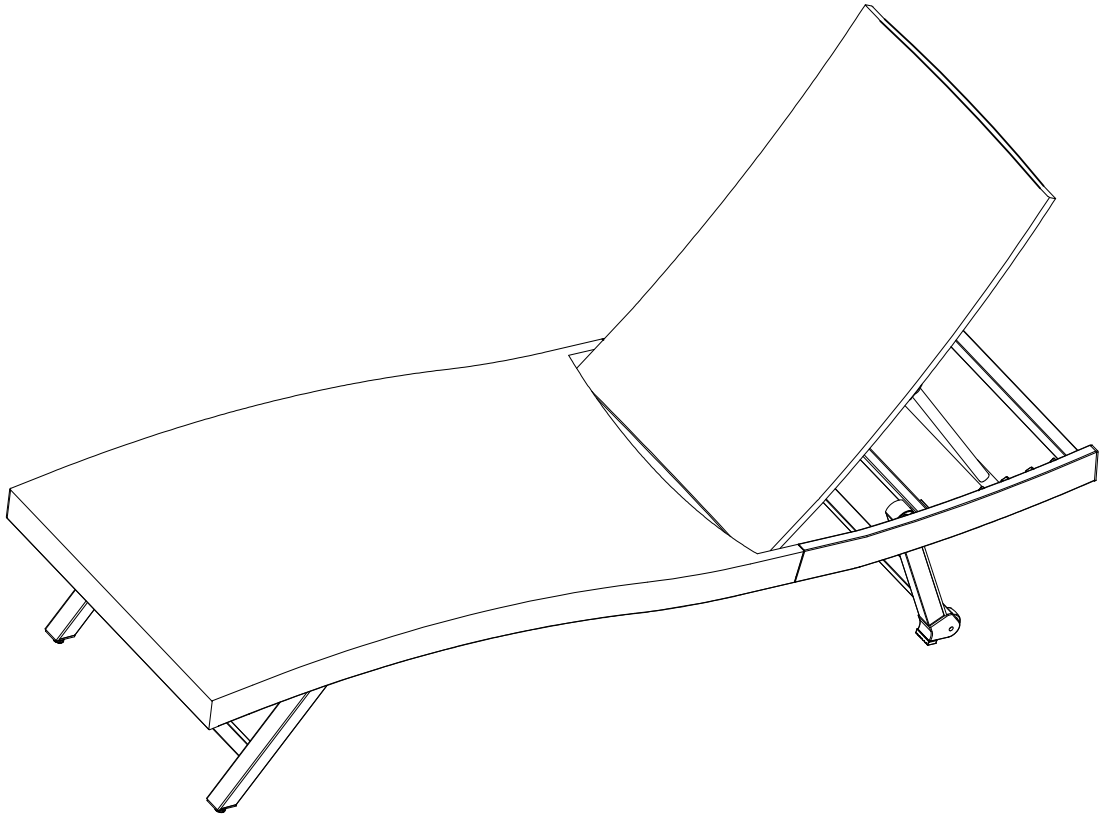




Patio Chaise Lounge

2 PCS

ASSEMBLY MANUAL



MODEL#: LLFR0596

Missing part? Damaged? Contact us via email at

service@domioutdoorliving.com

www.domioutdoorliving.com

WARNING AND CAUTIONS

Before starting assembly:

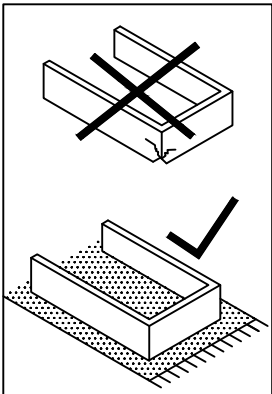
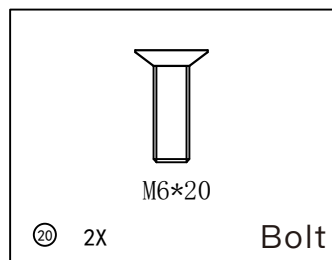
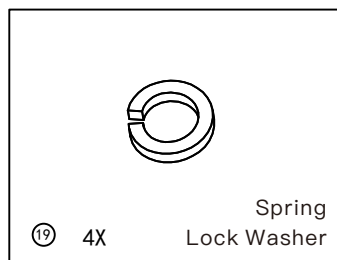
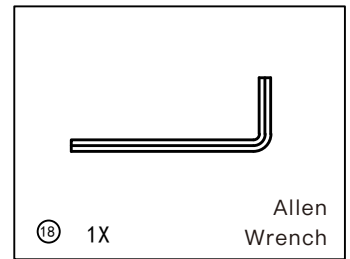
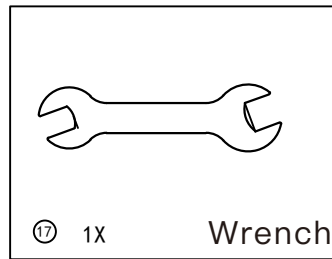
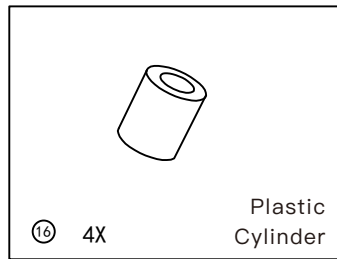
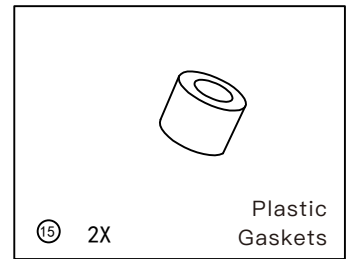
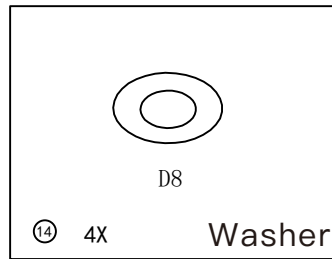
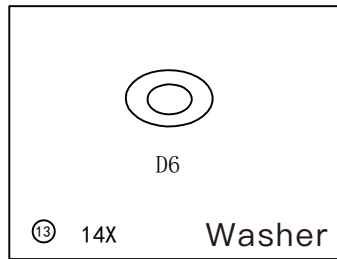
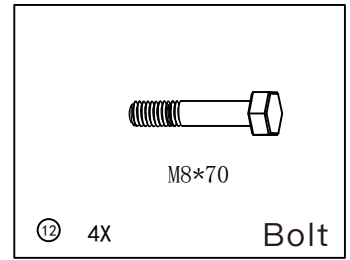
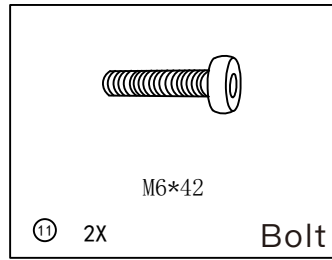
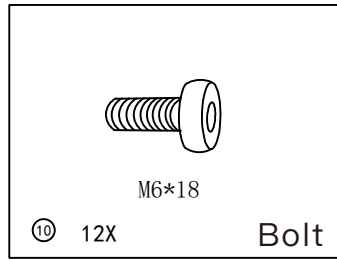
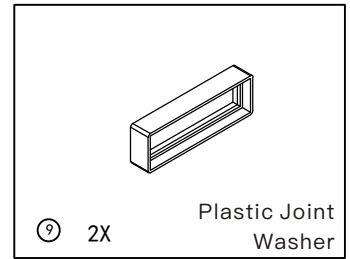
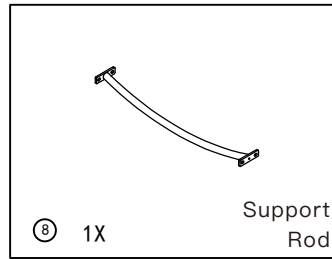
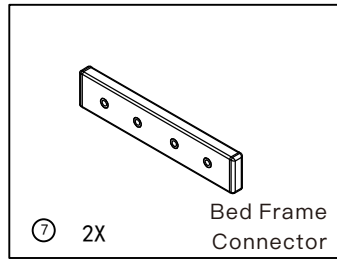
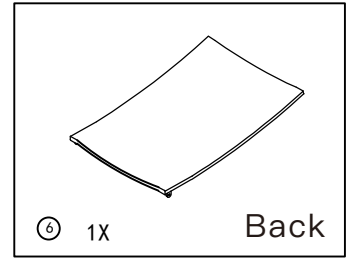
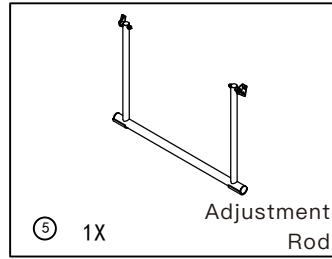
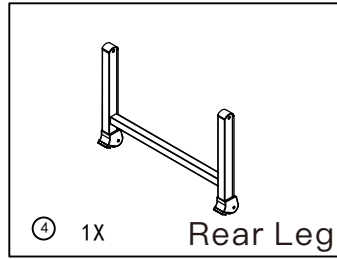
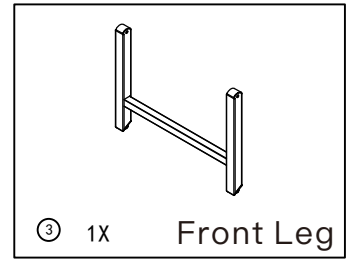
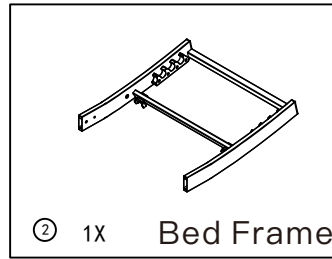
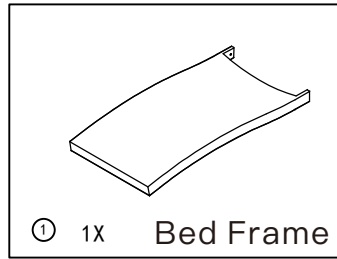
- Read all instructions thoroughly.
Open and check boxes for parts listed.
- If any parts are broken or missing call or email customer service.
- Keep all packaging until you are satisfied with your product.
- Returns are not accepted without original packaging.
- Make sure you have ample space for assembly.





WARNING:

- DO NOT strain yourself. Some items are easier to assemble with the help of another person.
- DO NOT force bolts or nuts. If a bolt becomes stuck, unscrew it and start again.
- DO NOT assemble on an uneven surface to prevent any damage and to ensure proper assembly.

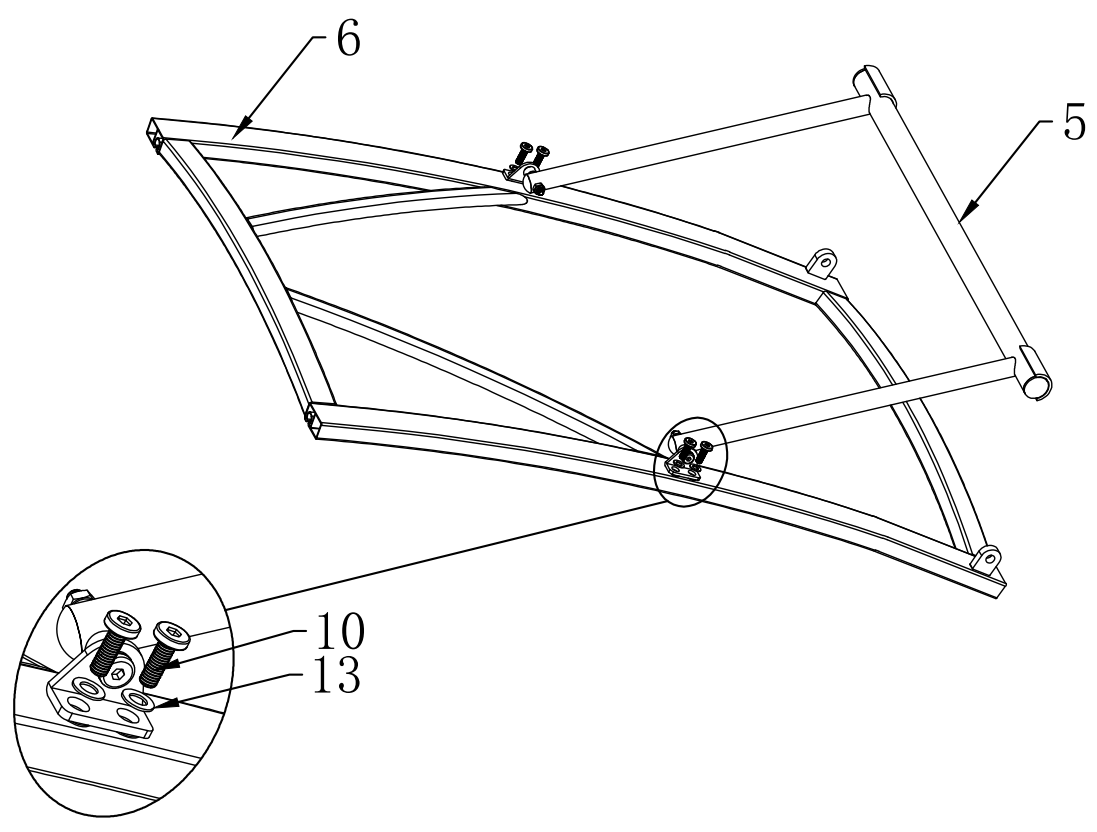
Important:


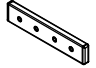



- **DO NOT fully tighten all screws until assembly is complete.**



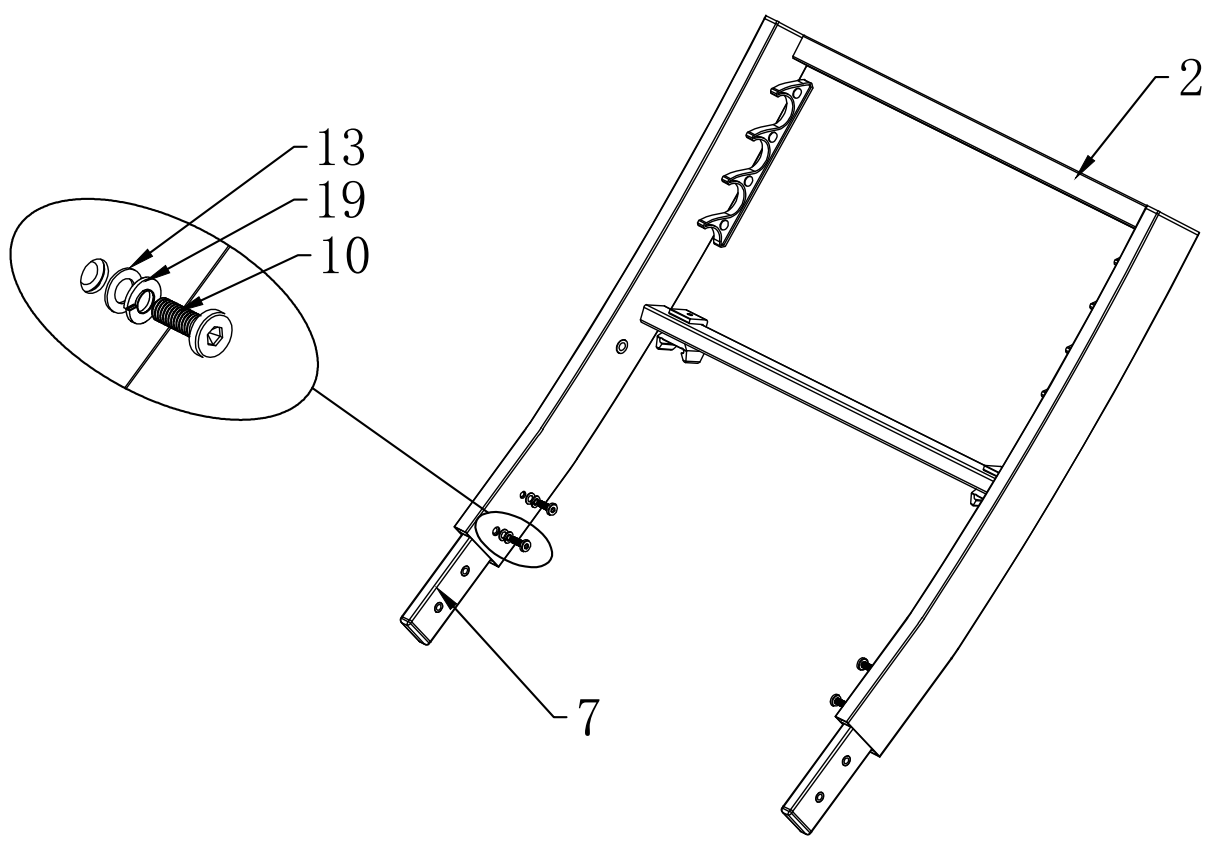
- ⑤ 1X 
- ⑥ 1X 
- ⑩ 4X M6*18 
- ⑬ 4X D6 




Connecting the Back and Adjustment Rod.

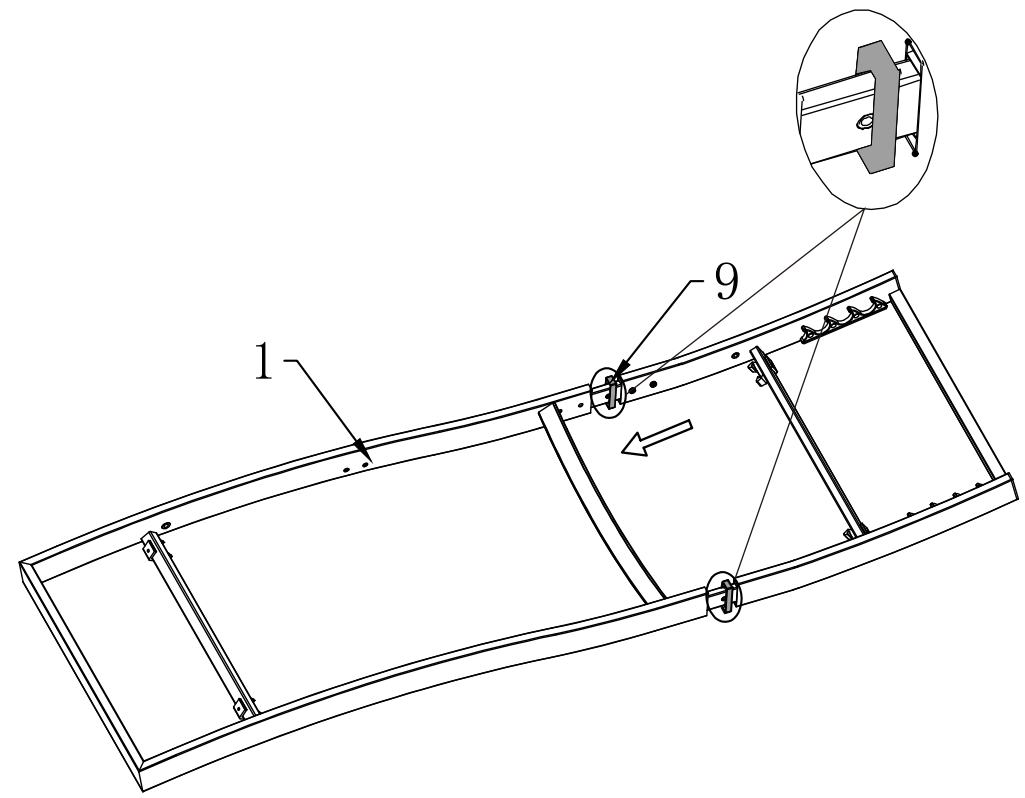


- ② 1X 
- ⑦ 2X 
- ⑩ 4X M6*18 
- ⑬ 4X D6 
- ⑲ 4X 

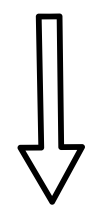
Insert 2 Bed Frame Connector(Part 7) into Bed frame (Part 2); Align the holes and secure with Washer(13), Spring Lock Washer(19) and Bolt(10).



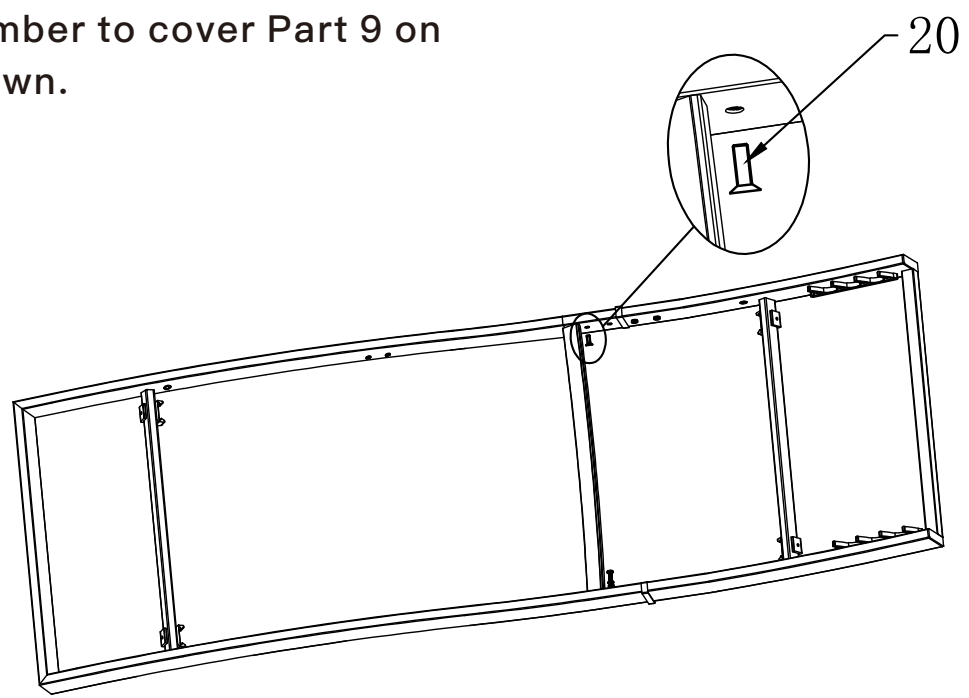
- ① 1X 
- ⑨ 2X 
- ⑳ 2X M6*20 



Cover the Plastic Joint Washer (Part 9) on Bed frame (Part 2) ;
 Insert Bed frame (Part 1) to Bed frame (Part 2).
 Align the holes and secure with Bolt(20).



Remember to cover Part 9 on as shown.





⑪ 2X M6*42



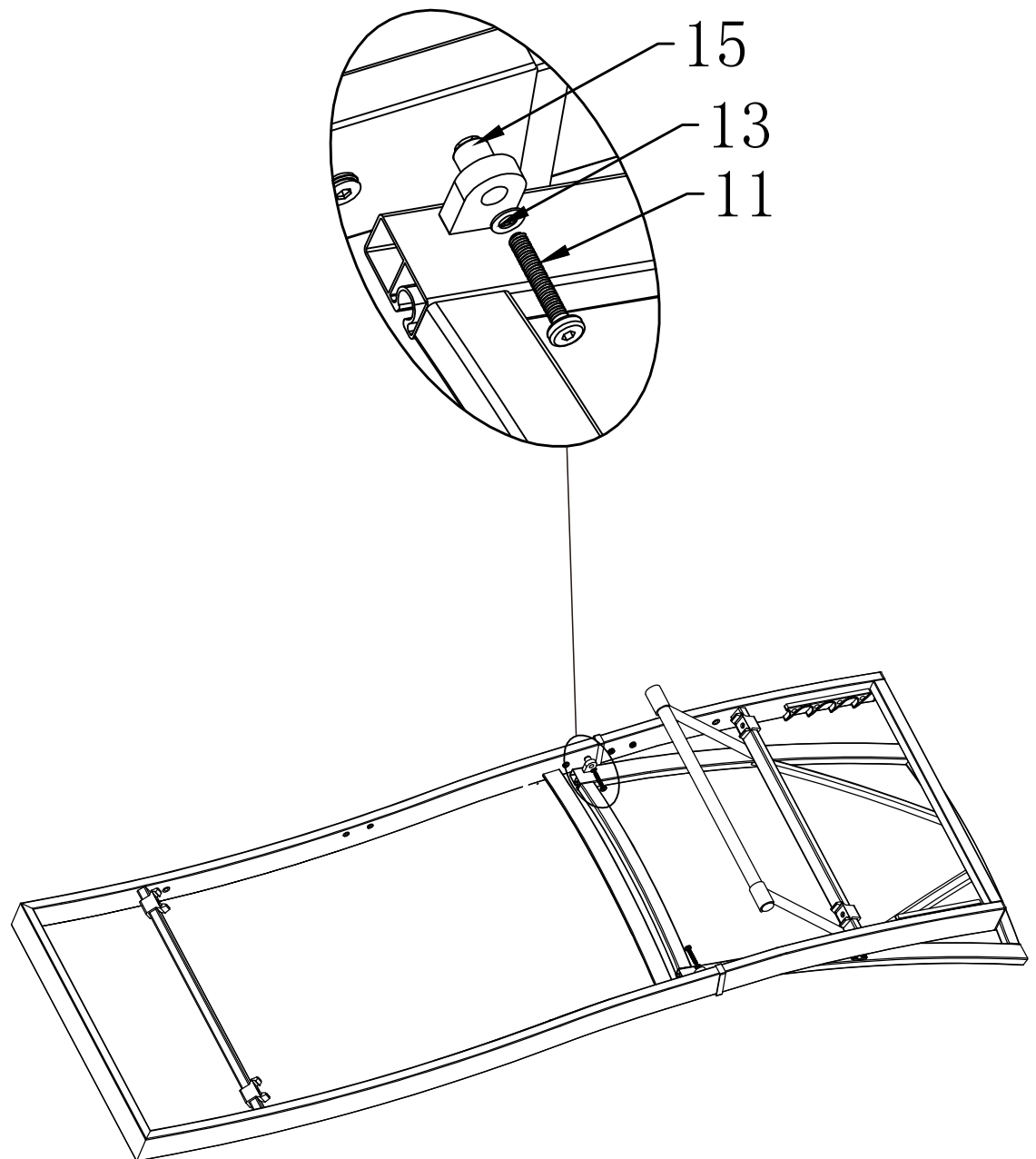
⑬ 2X D6


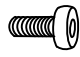



⑮ 2X

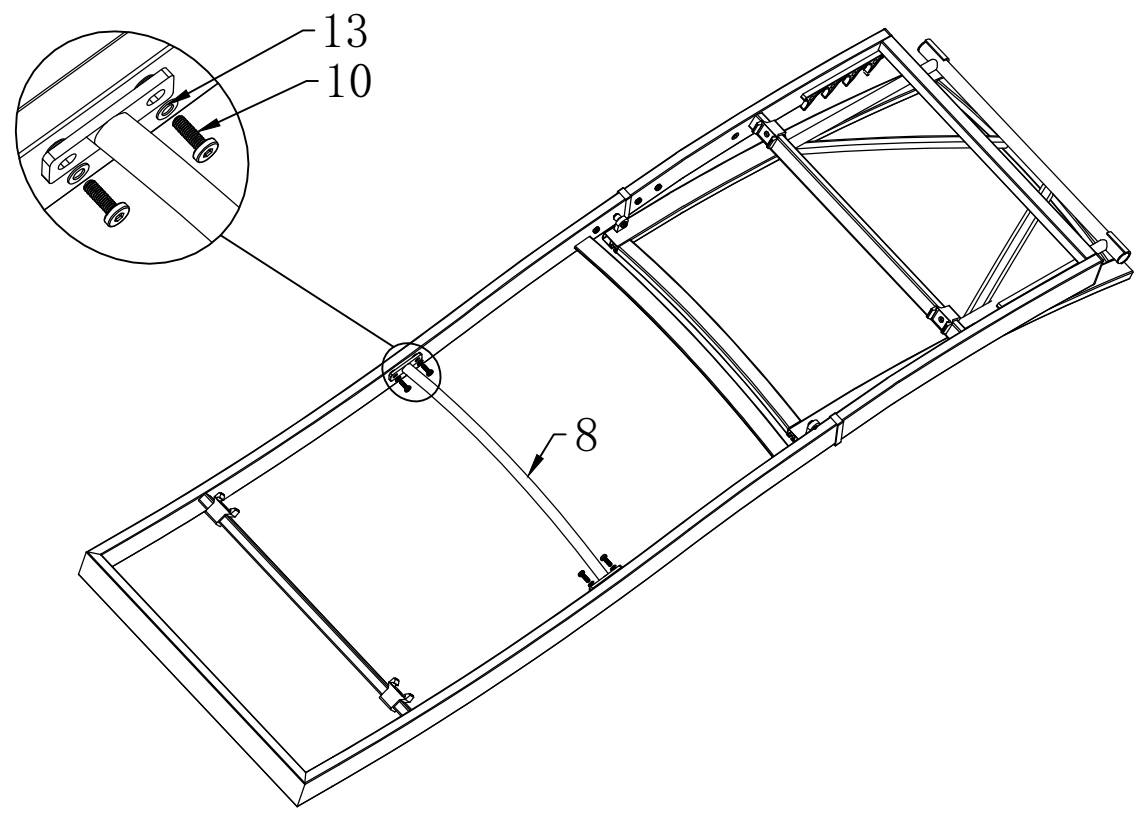
Assemble the Back.

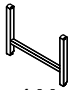



Plastic Gaskets(15) must be installed between the Bed Frame and the Back as shown.



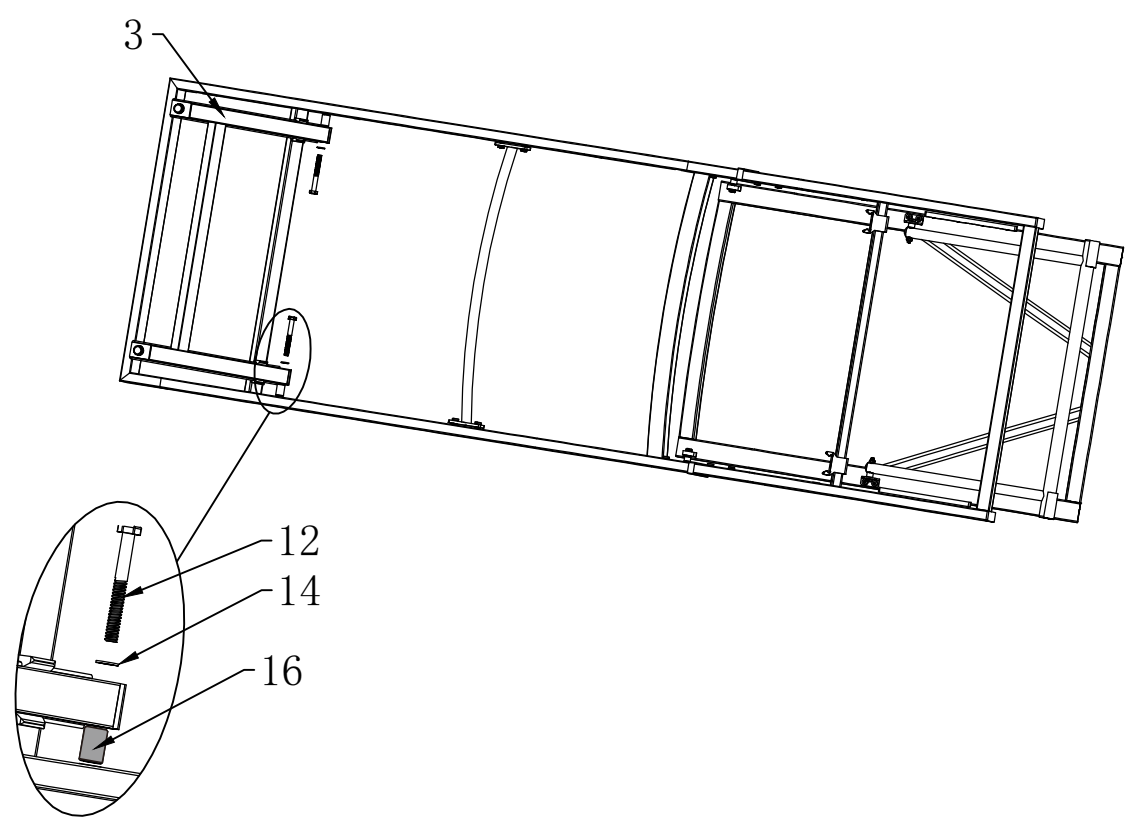
- ⑧ 1X 
- ⑩ 4X M6*18 
- ⑬ 4X D6 

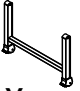



Use Bolt (10) and Washer (13) to connect the Support rod (Part 8) to the entire Bed frame.



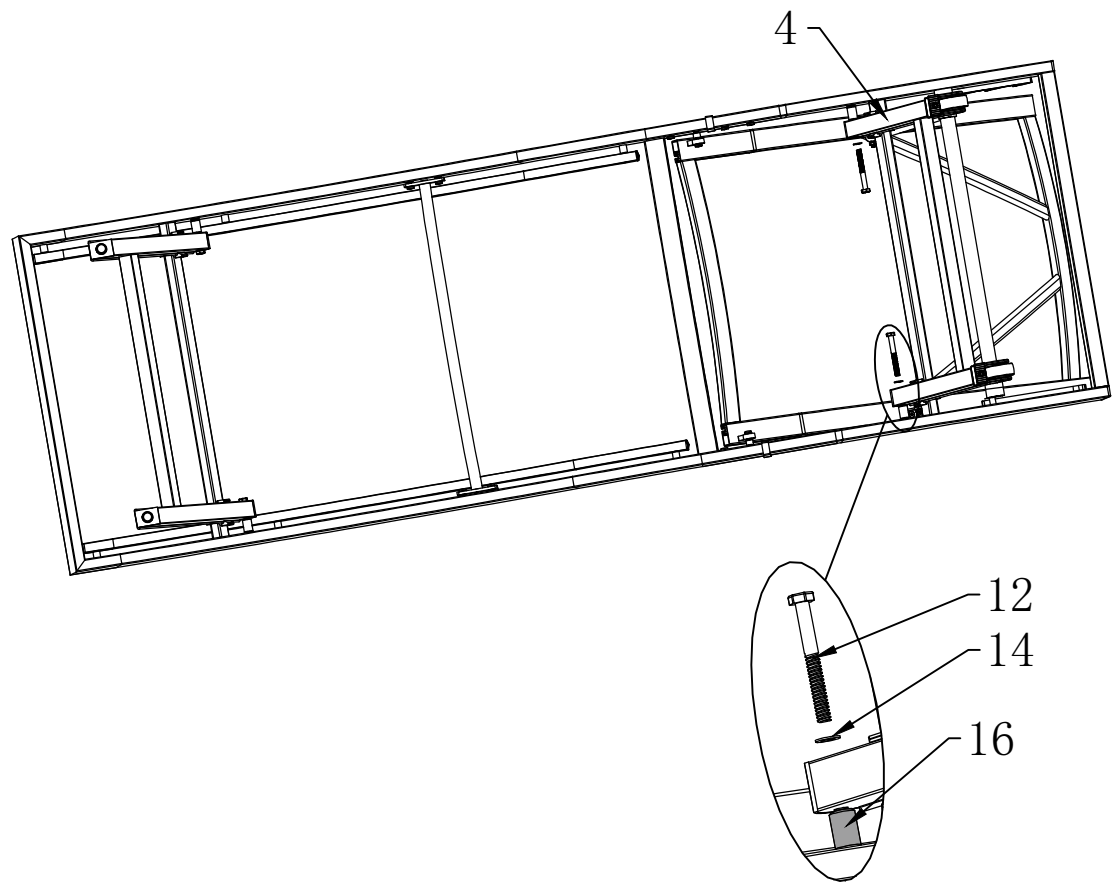
- ③ 1X 
- ⑫ 2X M8*70 
- ⑭ 2X D8 
- ⑯ 2X 

Install Front Leg (Part 3) to the Bed frame using Plastic Cylinder (16), Washer (14) and Bolt (12).

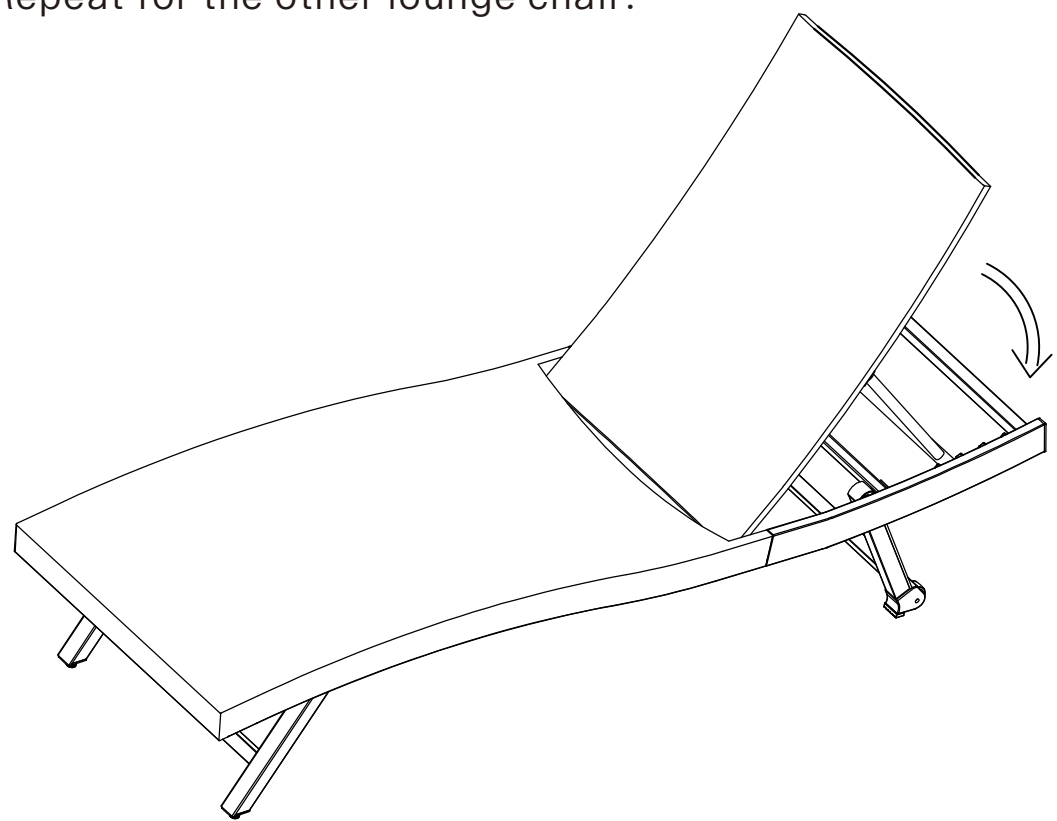


- ④ 1X 
- ⑫ 2X M8*70 
- ⑭ 2X D8 
- ⑯ 2X 

Install Rear Leg (Part 4) to the Bed frame using Plastic Cylinder (16), Washer (14) and Bolt (12).



Check to make sure all screws are fixed tightly before use. Repeat for the other lounge chair.





Thanks for your purchase.

At domi outdoor living, we believe in our products.

That's why we provide a 12-month warranty and friendly, easy-to-reach after-sales service. So, if you have any questions about our product or assembly, please feel free to contact us. We are here for you.

Support:  

After-sales contact email:

service@domioutdoorliving.com

Business cooperation contact email:

marketing@domioutdoorliving.com

Please have your order ID available if you reach out for support.

If you have damaged parts or product, please send us photos for an immediate response.