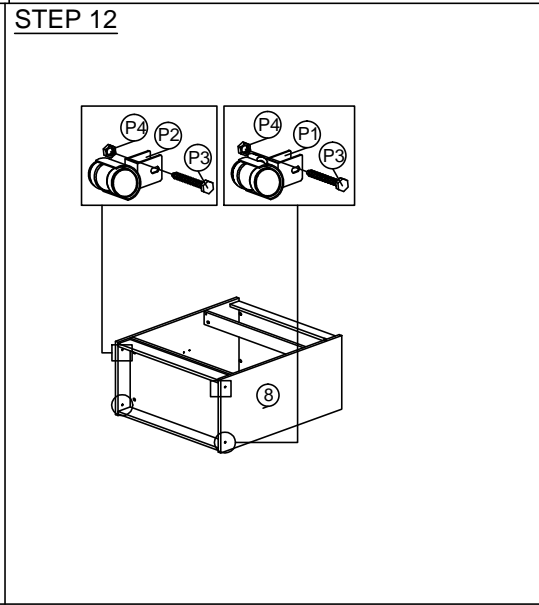
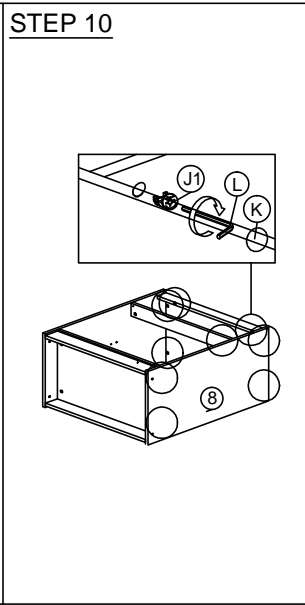
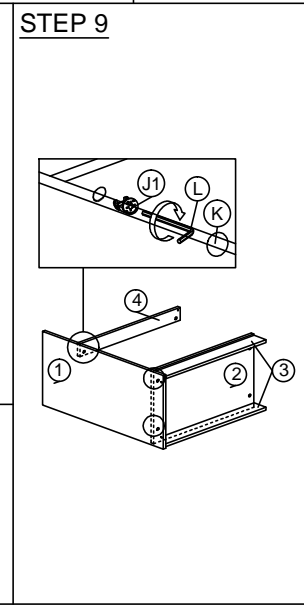
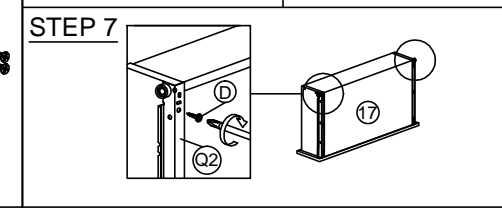
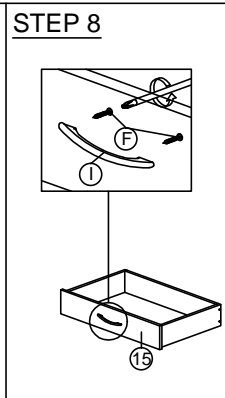
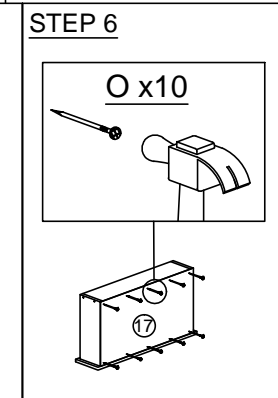
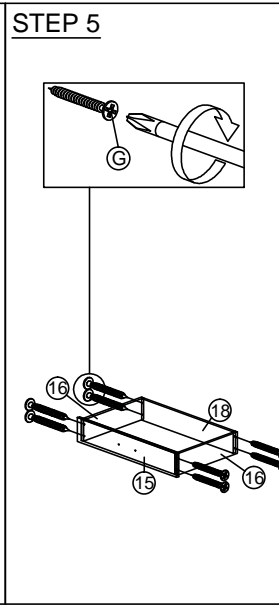
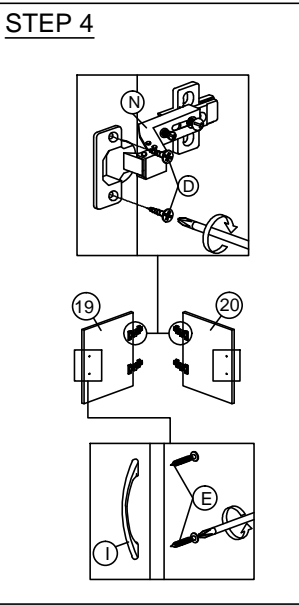
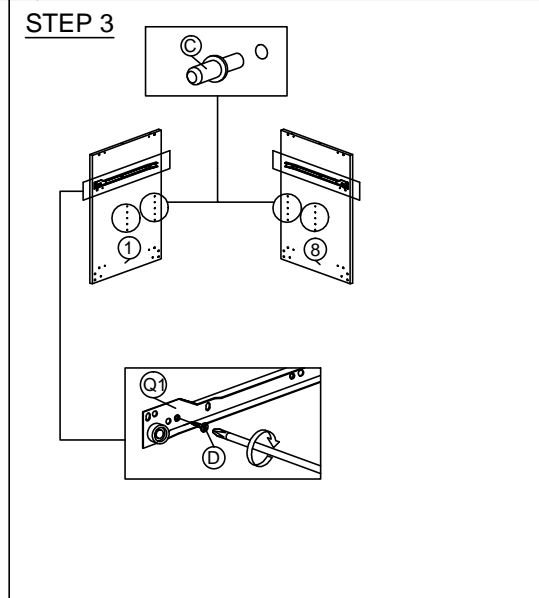
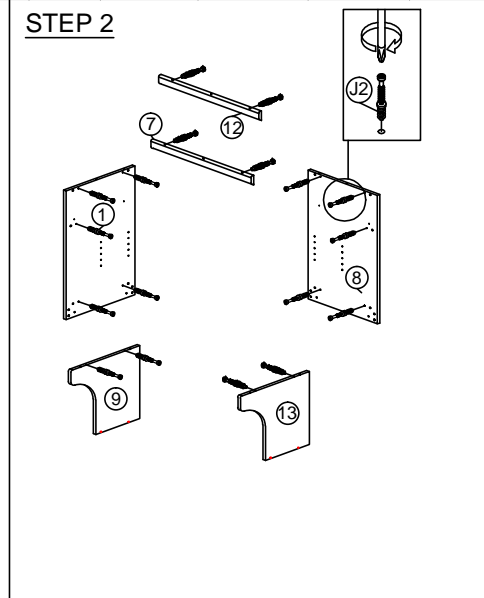
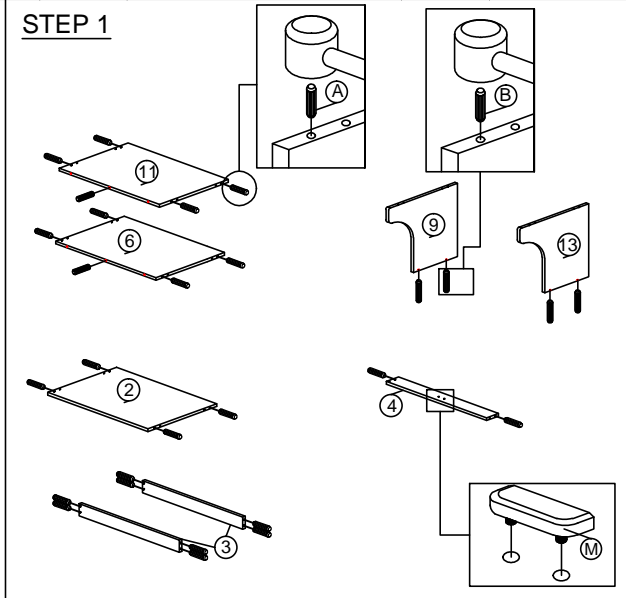
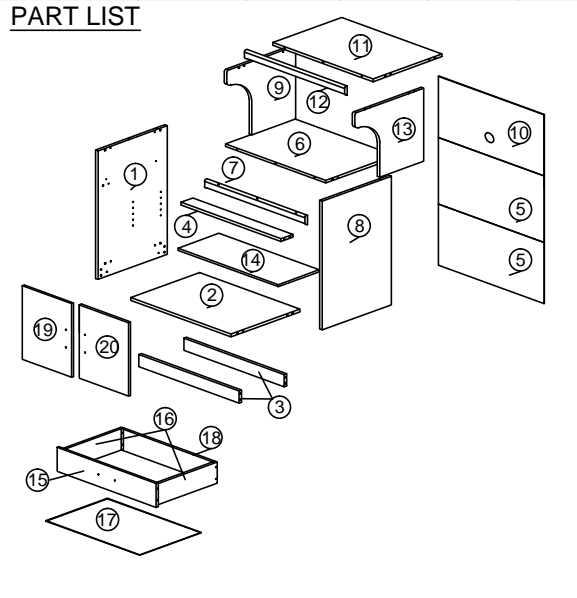


ASSEMBLY INSTRUCTION

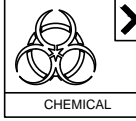
DESCRIPTION : MICROWAVE CART

HARDWARE	A	B	C	D	E	F	G	H	I	J	K	L	M	N	O	P	P1	P2	P3	P4	Q	Q1	Q2
	WOOD DOWEL 8 X 25	WOOD DOWEL 8 X 40	SHELF SUPPORT	CB SCREW M3.5X12MM	CB SCREW M4X25MM	CB SCREW M4X32MM	CB SCREW M4X38MM	DOUBLE HEAD MINIFIX	MOON HANDLE	MINIFIX 5654+5546	MINIFIX CAP	L KEY	2 PIN STOPPER	HINGES 7/8	NAIL 5/8	CASTER WITH STOPPER	CASTER WITHOUT STOPPER				DRAWER SLIDE 14"		
	24	4	4	28	4	2	8	4 SETS	3	18 SETS	18	1	1	4	37	2	2	4	4		1 SET		

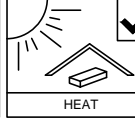




SOFT, DRY CLOTH



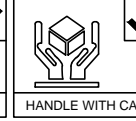
CHEMICAL



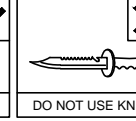
HEAT



KEEP DRY



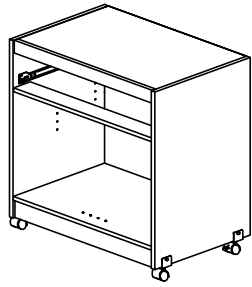
HANDLE WITH CARE



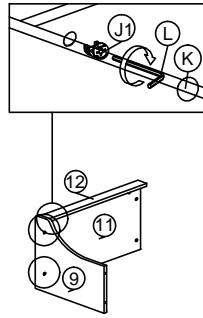
DO NOT USE KNIFE

ASSEMBLY INSTRUCTION

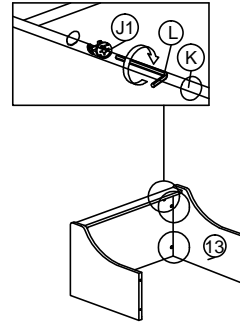
PART 1



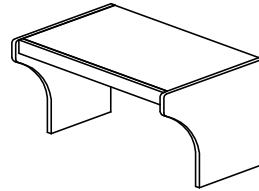
STEP 13



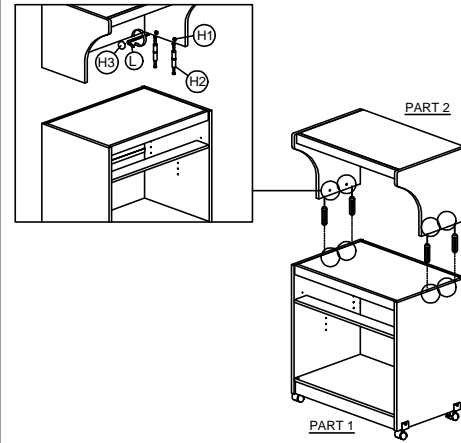
STEP 14



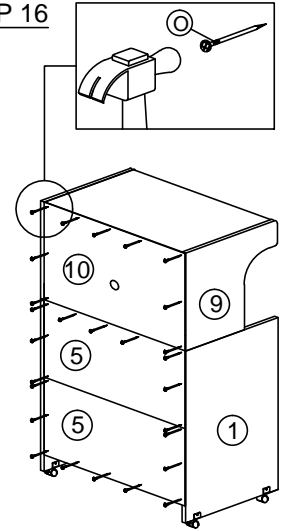
PART 2



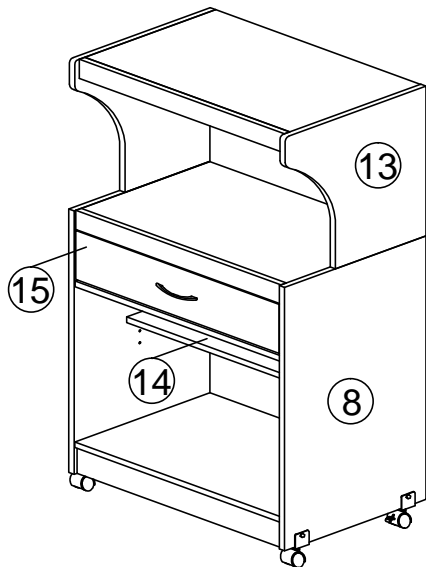
STEP 15



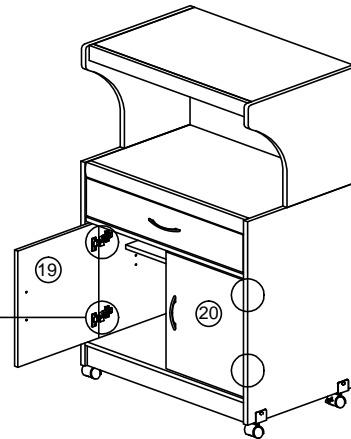
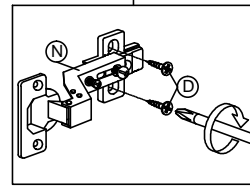
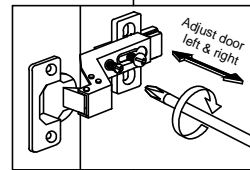
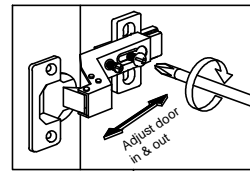
STEP 16



STEP 17



STEP 18



COMPLETED

