

ASSEMBLY INSTRUCTIONS

090-1079

TOOLS REQUIRED:

Provided, part # A

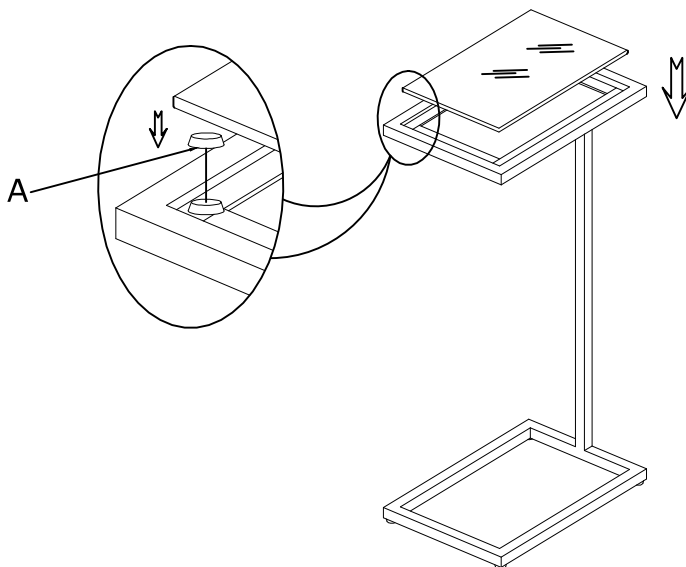
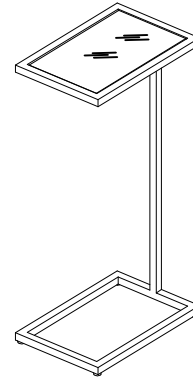
Phillips Screwdriver (not provided)


BEFORE YOU START:

1. Check the parts against the parts list to make sure all items are present.
2. Assemble your furniture on a soft, flat surface to avoid scratching the finish.
3. **CAUTION:** Do not over tighten screws, nuts or bolts during assembly.
4. Your furniture may require occasional tightening.

INSTRUCTIONS :

1. For safety purpose, we recommend fixing of Glass pad (A) as shown in Fig 1.



No.	Hardware List		Q'ty
A		Glass Pad	4 pcs