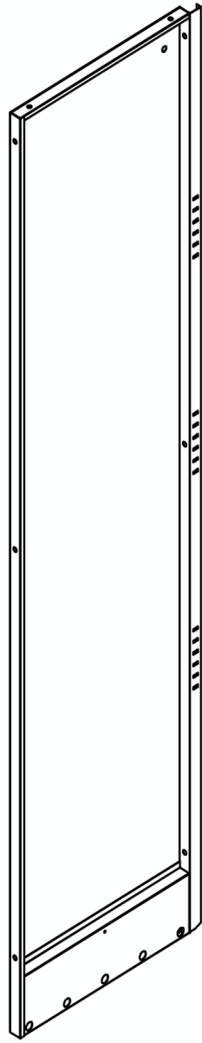
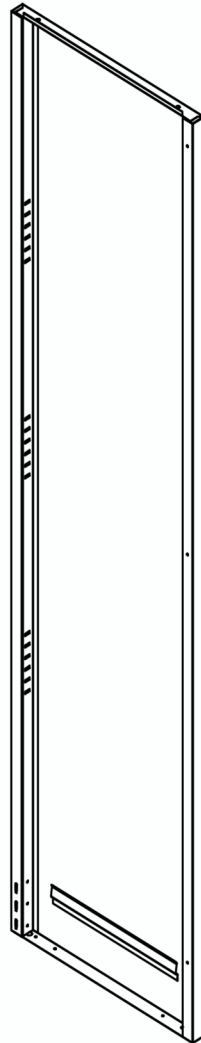


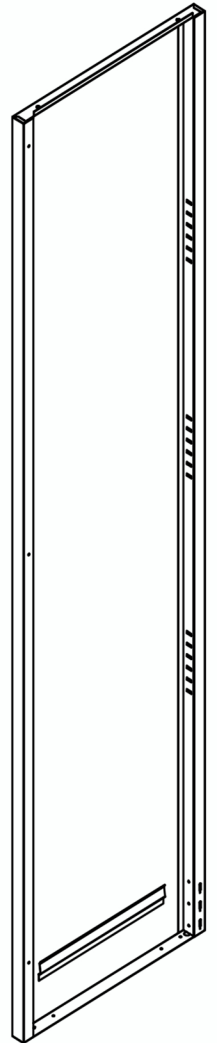
A*1



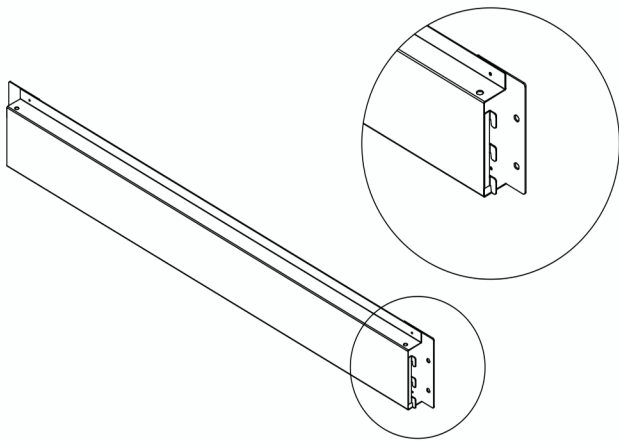
B*1



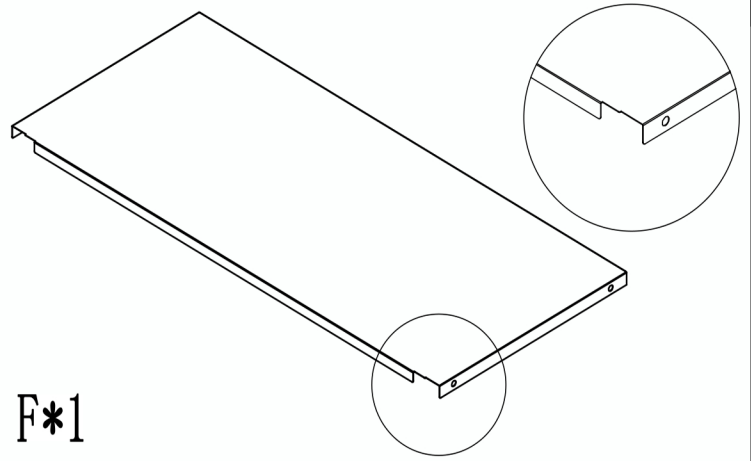
C*1



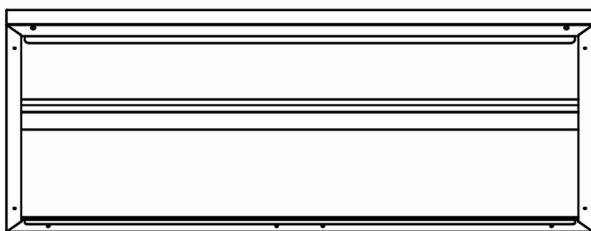
D*1



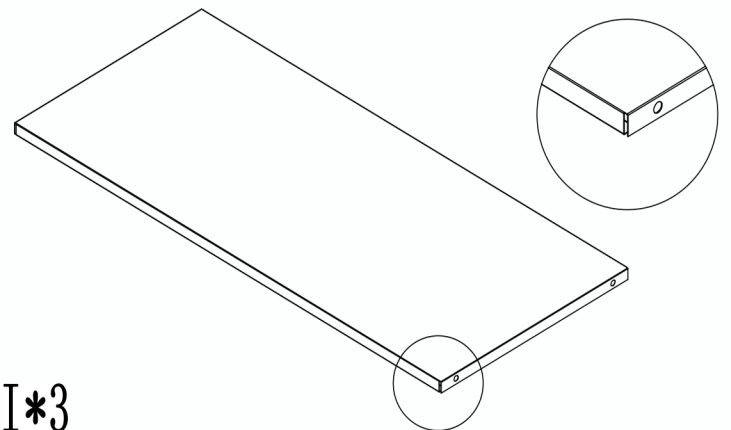
E*1



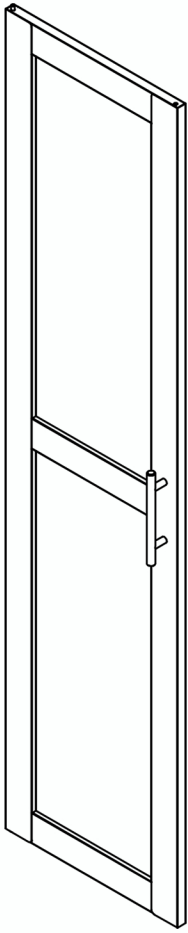
F*1



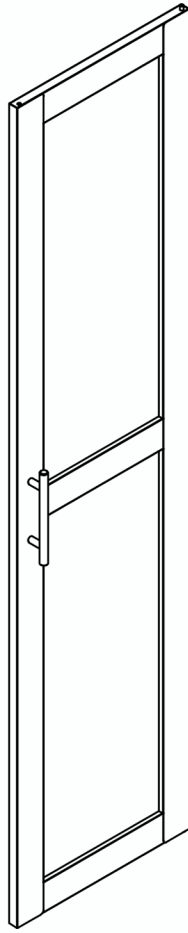
H*1



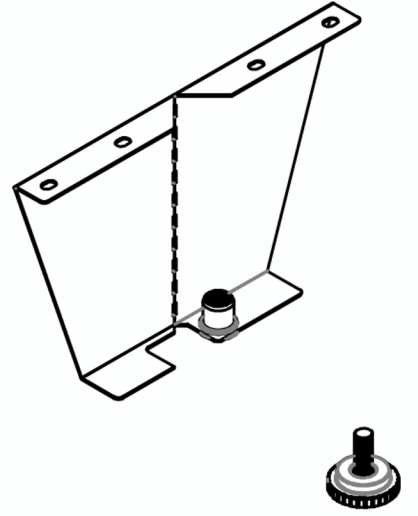
I*3



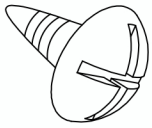
K*1



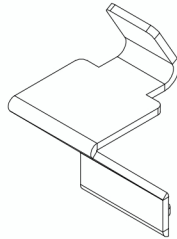
J*1



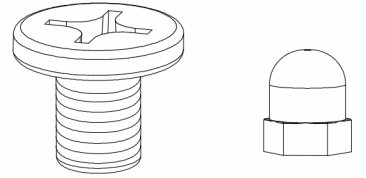
G*4



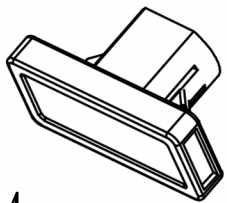
N*38+2



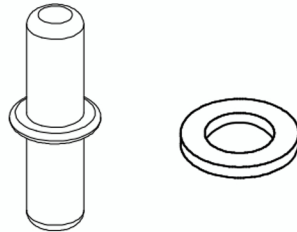
O*12



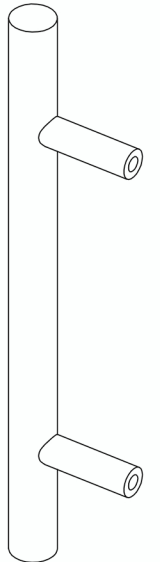
L*3



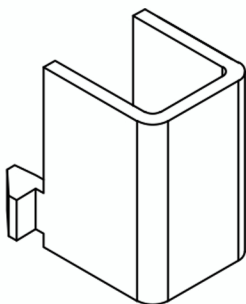
Q*4



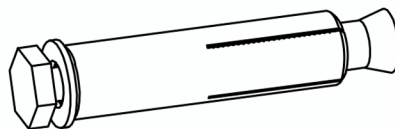
S*2



T*2

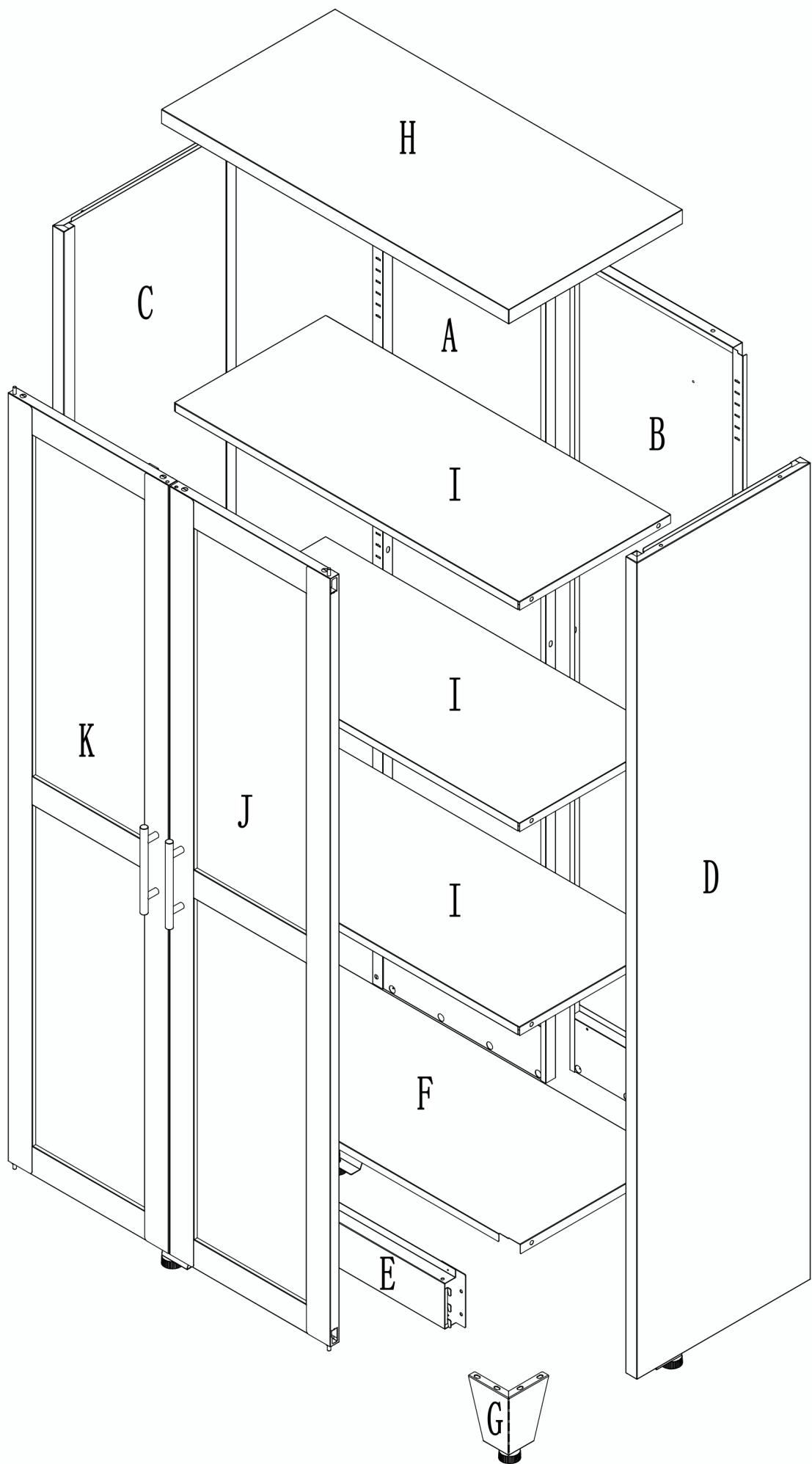


V*12



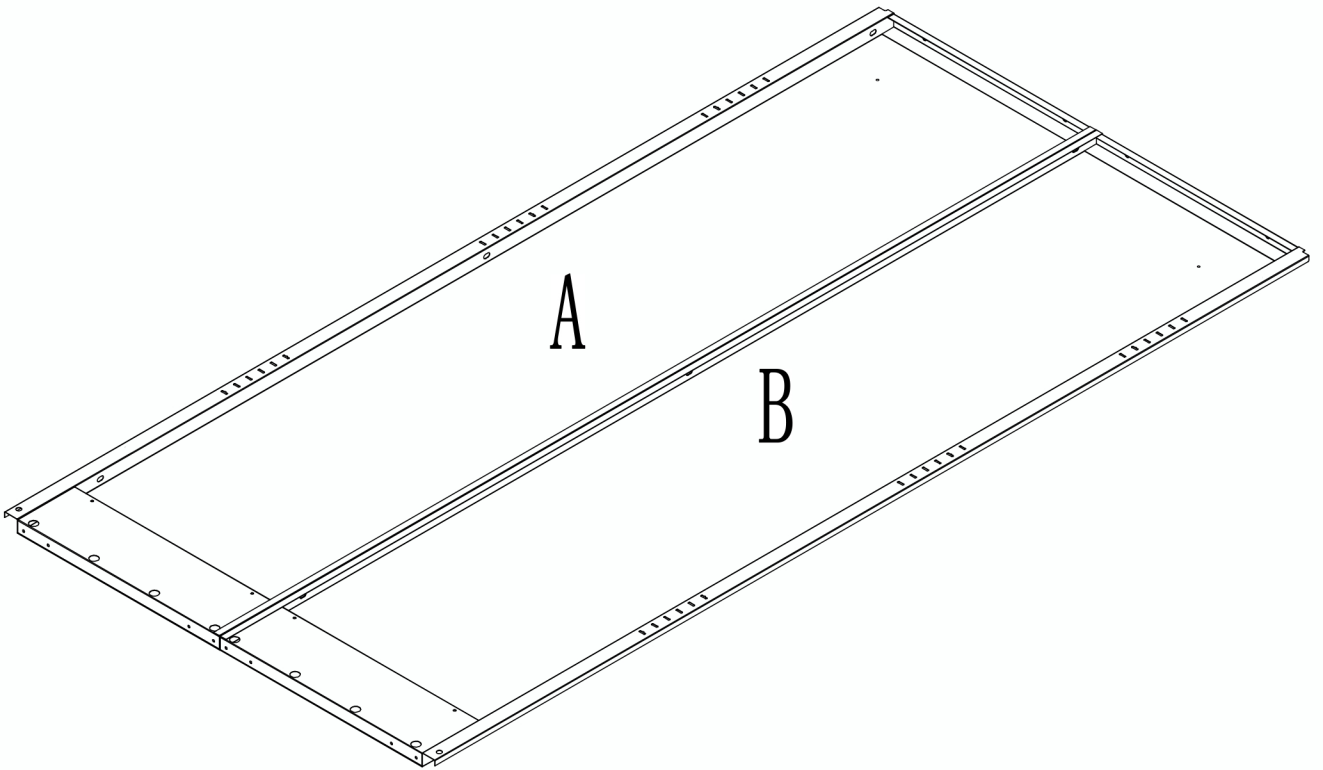
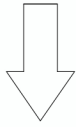
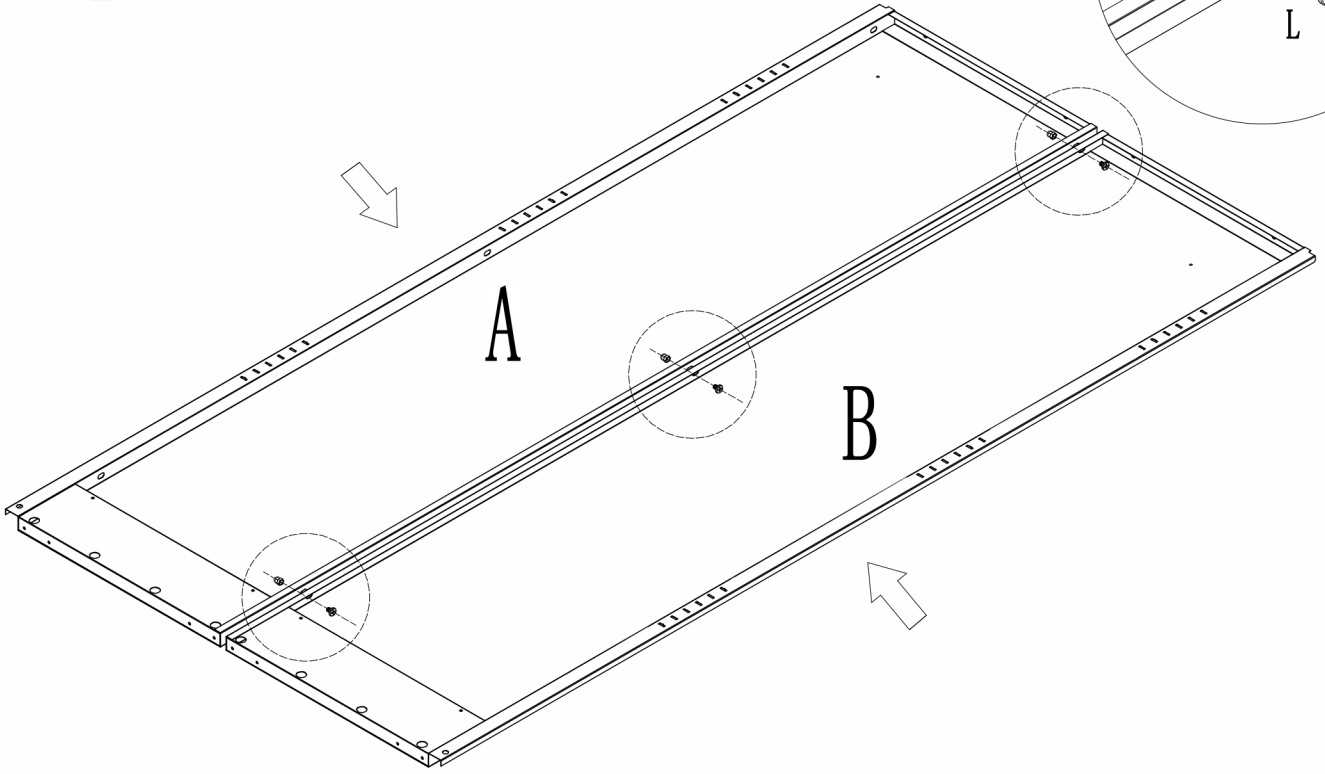
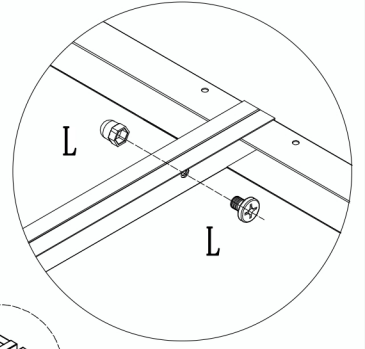
W*2





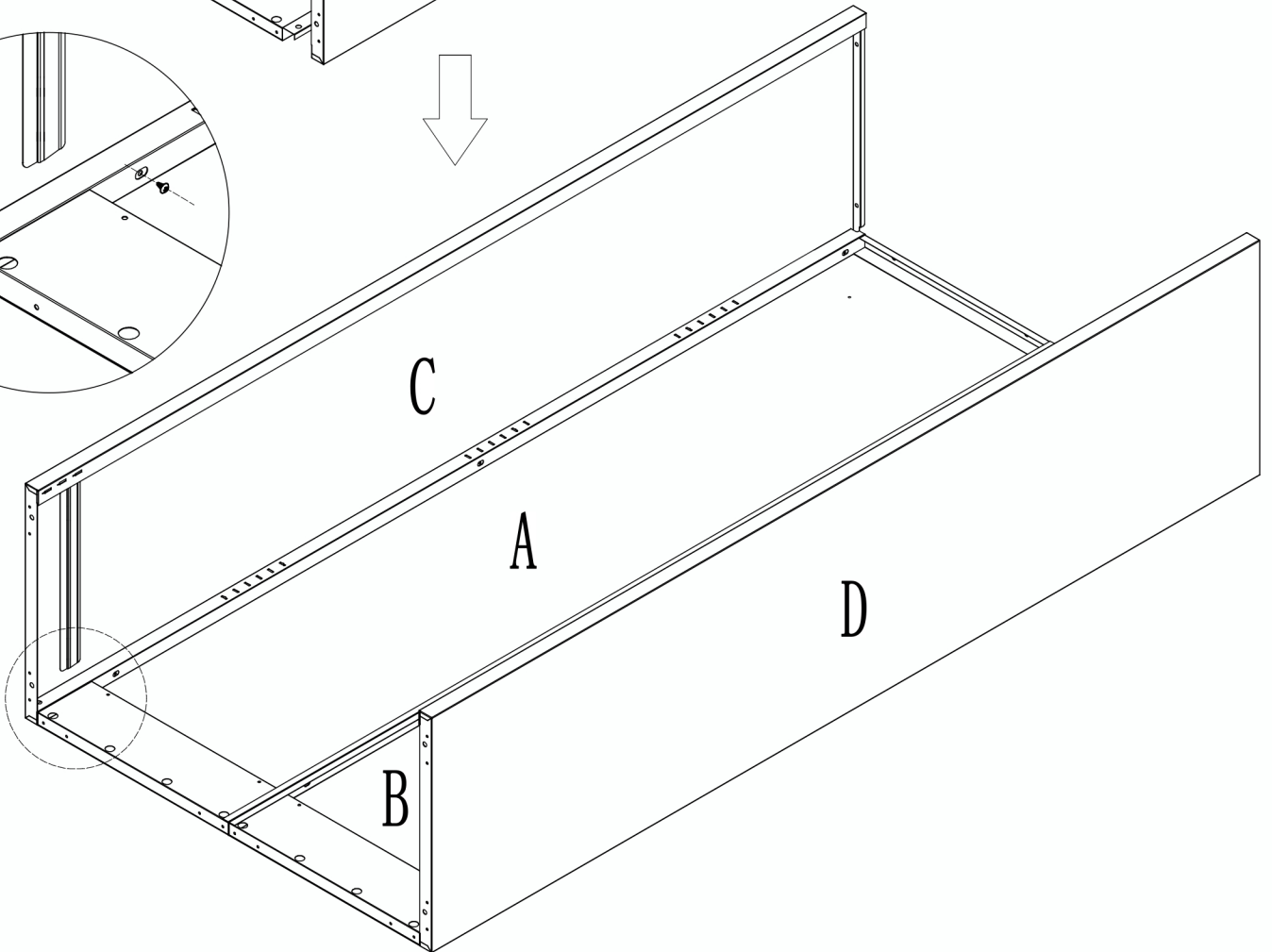
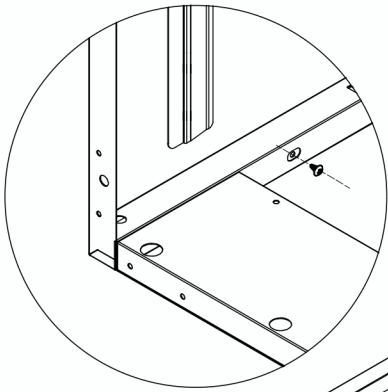
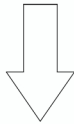
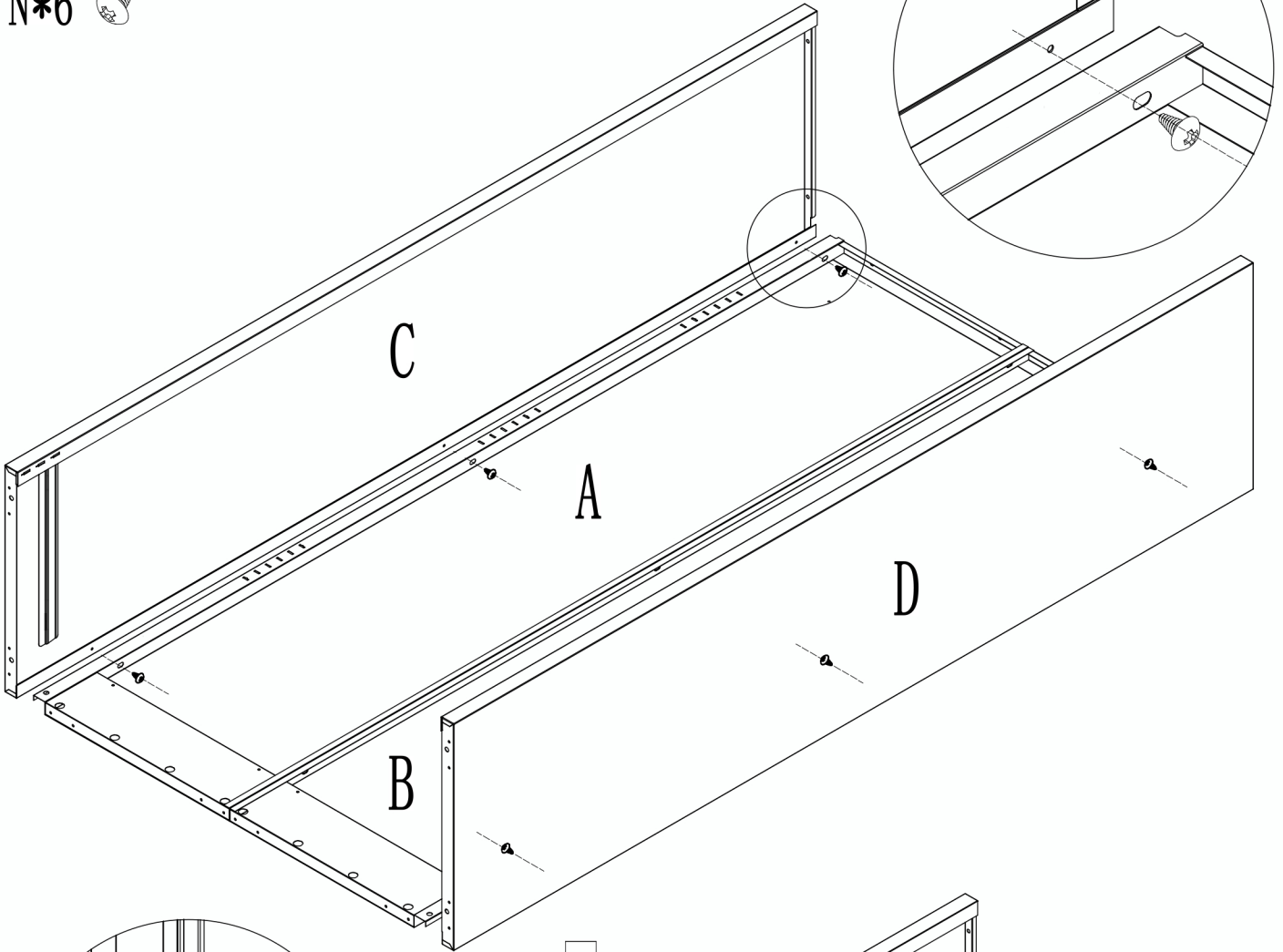
1

L*3



2

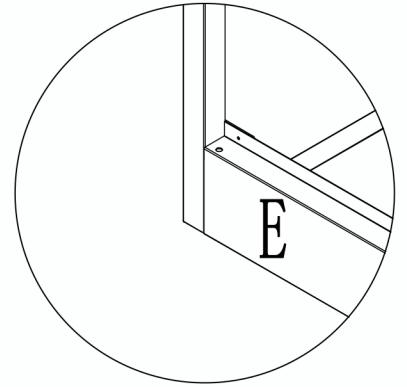
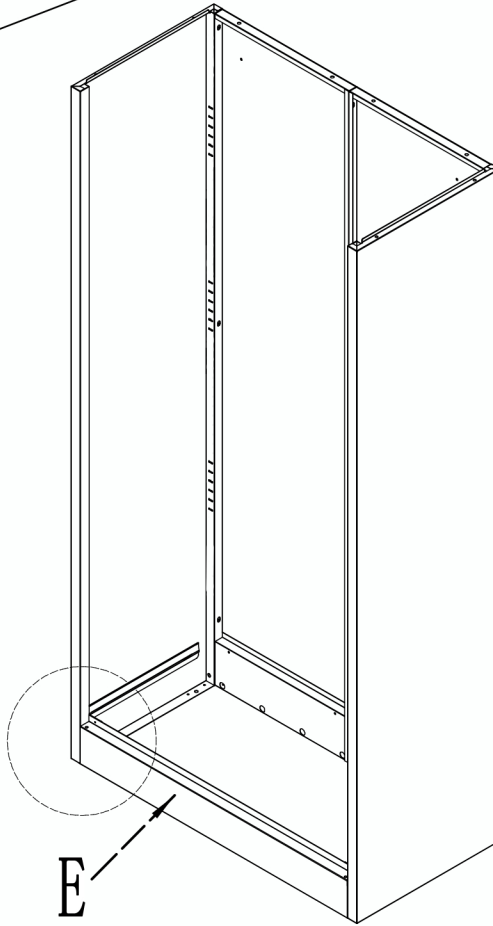
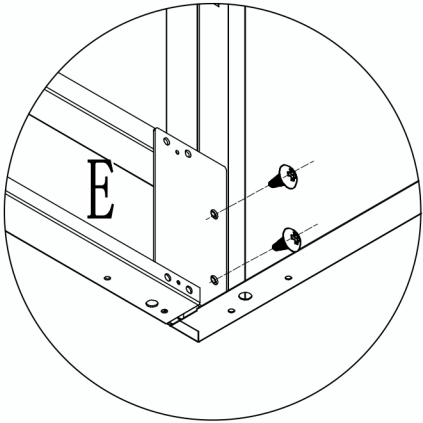
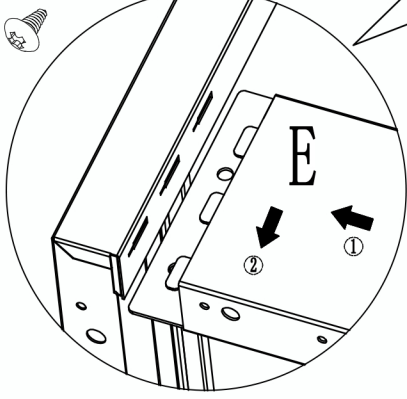
N*6 



3

Snap the three buckles on either side of Part E into the three holes in both side panels and then push it down so that it snaps into the bottom of the cabinet.

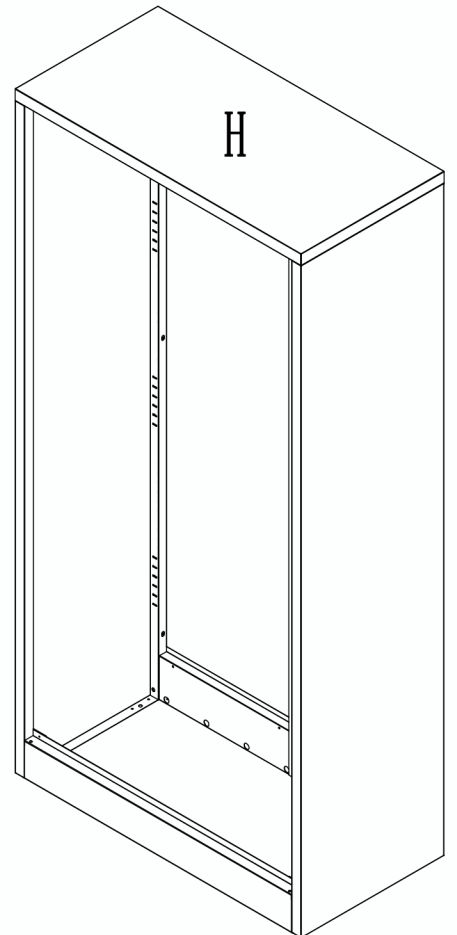
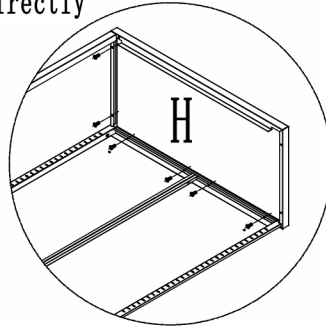
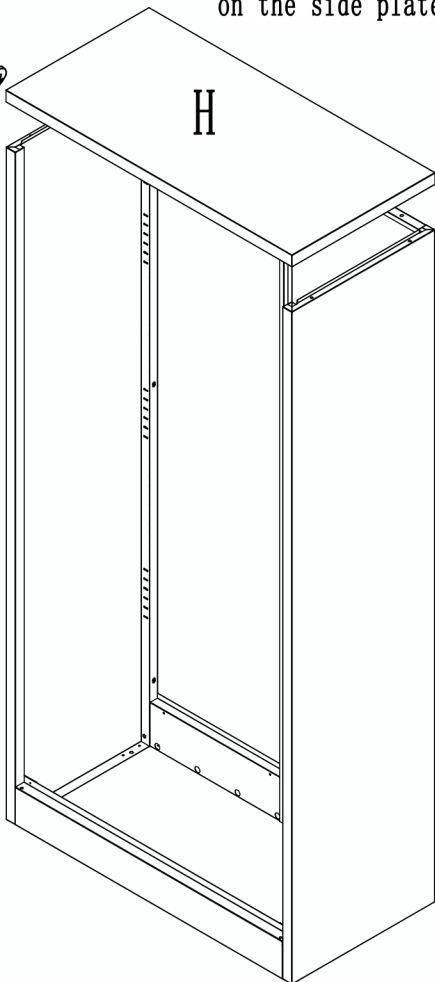
N*4



4

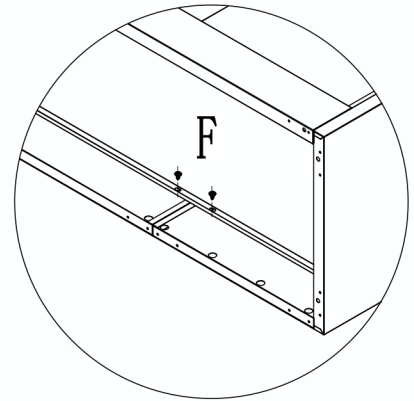
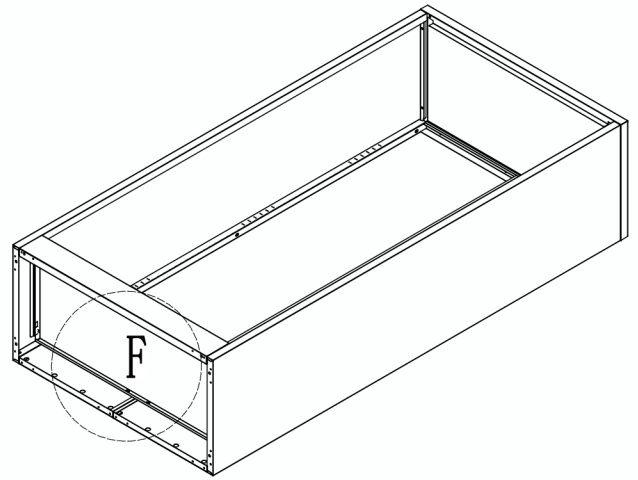
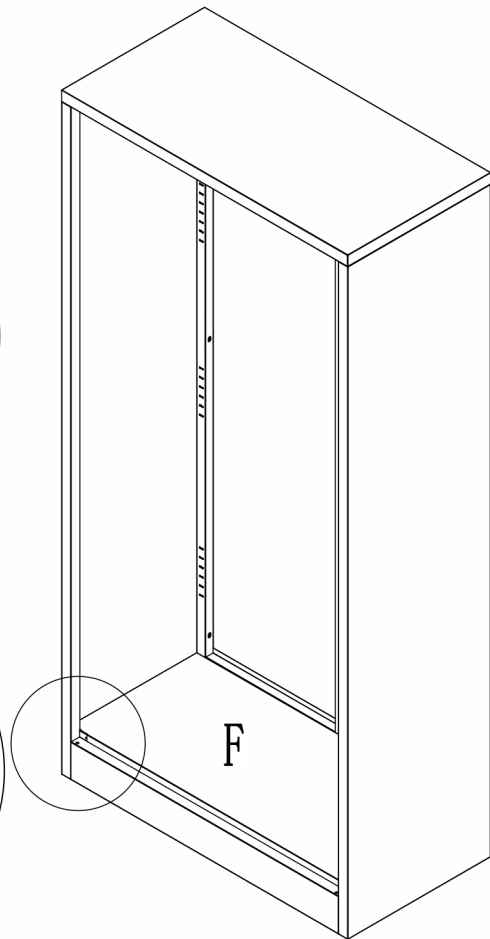
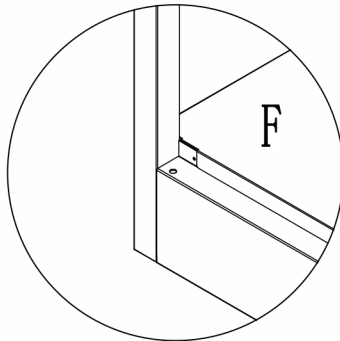
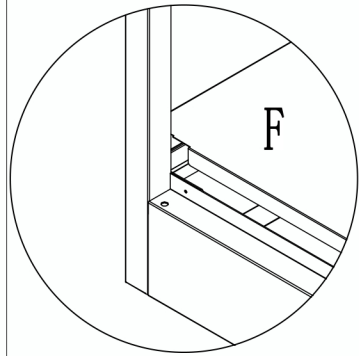
The top plate falls directly on the side plate.

R*8




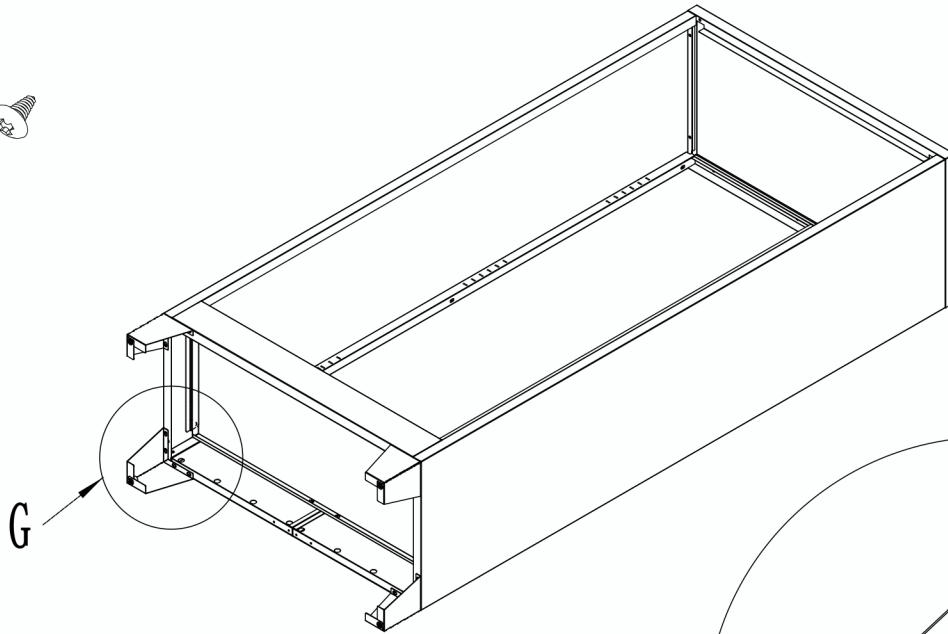
5

N*2 

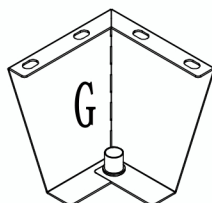
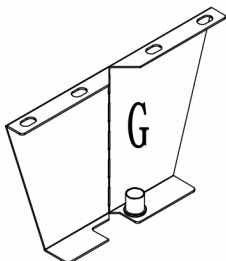
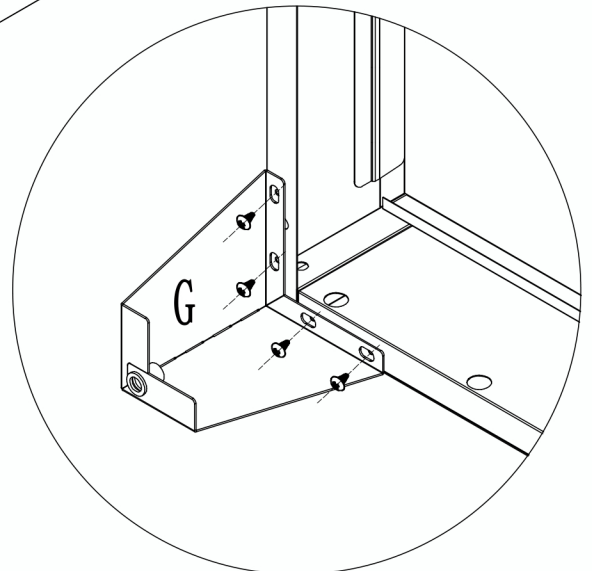


6

N*16 

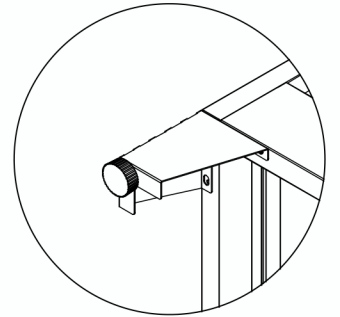
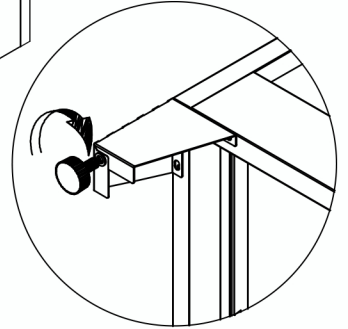
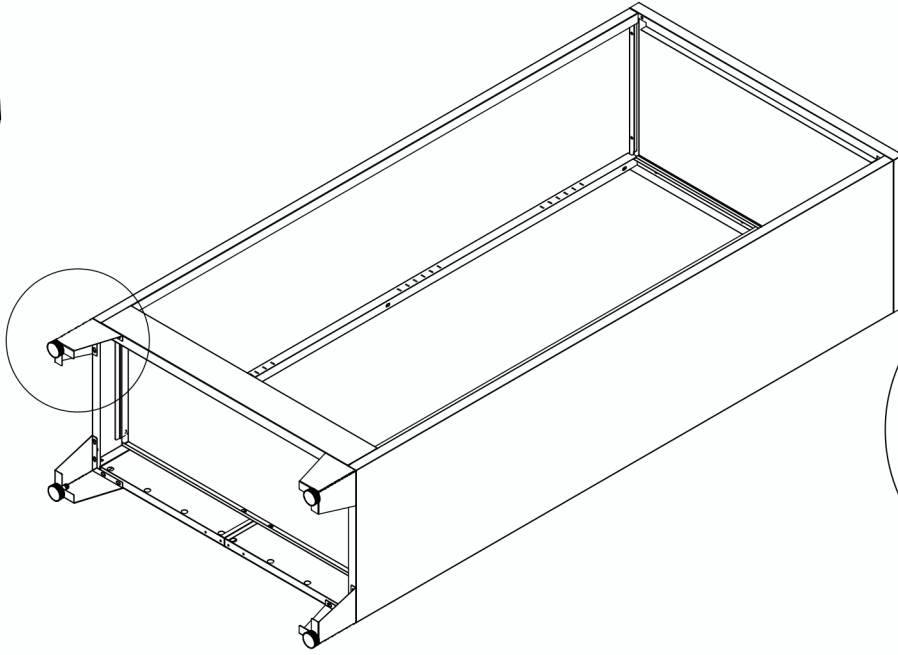
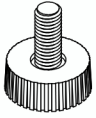


If you think it looks better without the standing corner, you can choose to skip this step (6) and the next step (7)



7

G*4

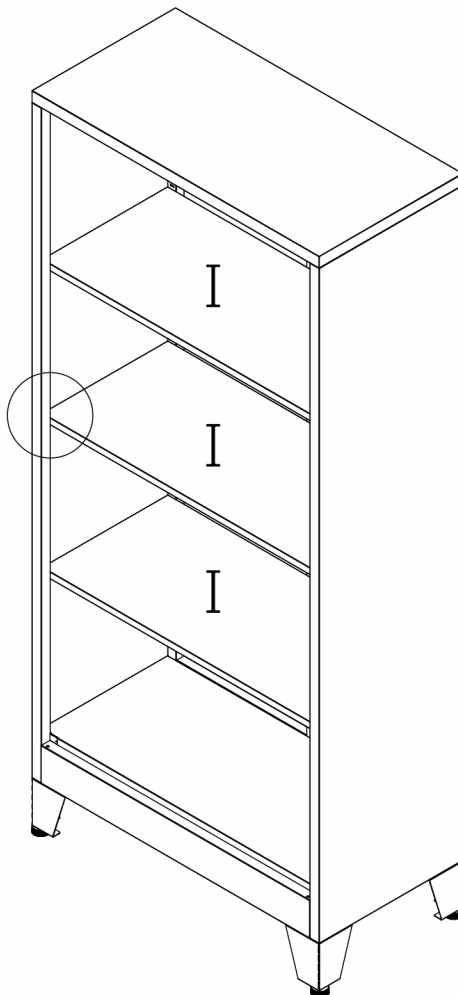
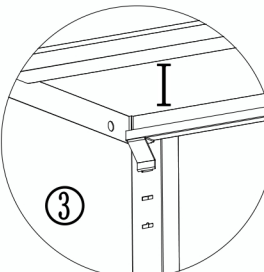
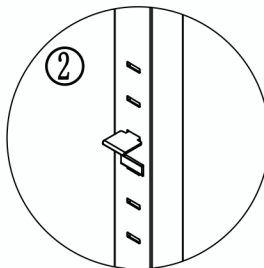
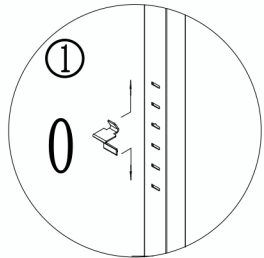


8

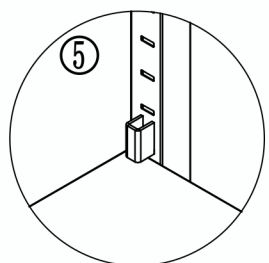
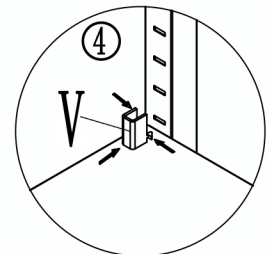
O*12



V*12

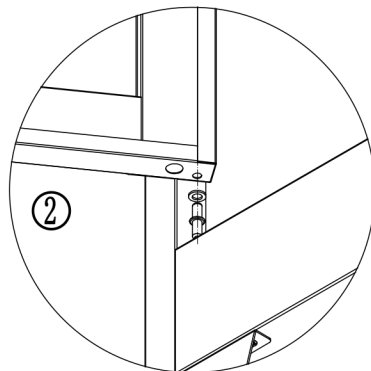
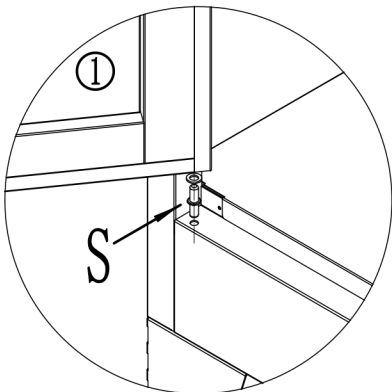
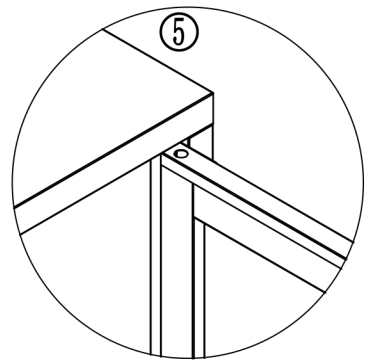
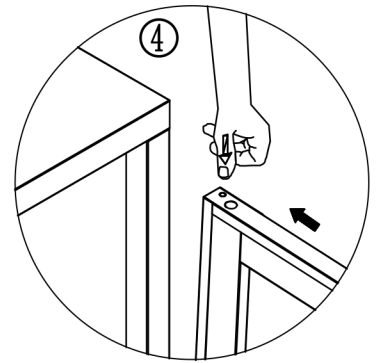
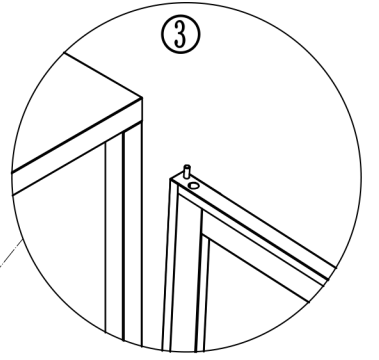
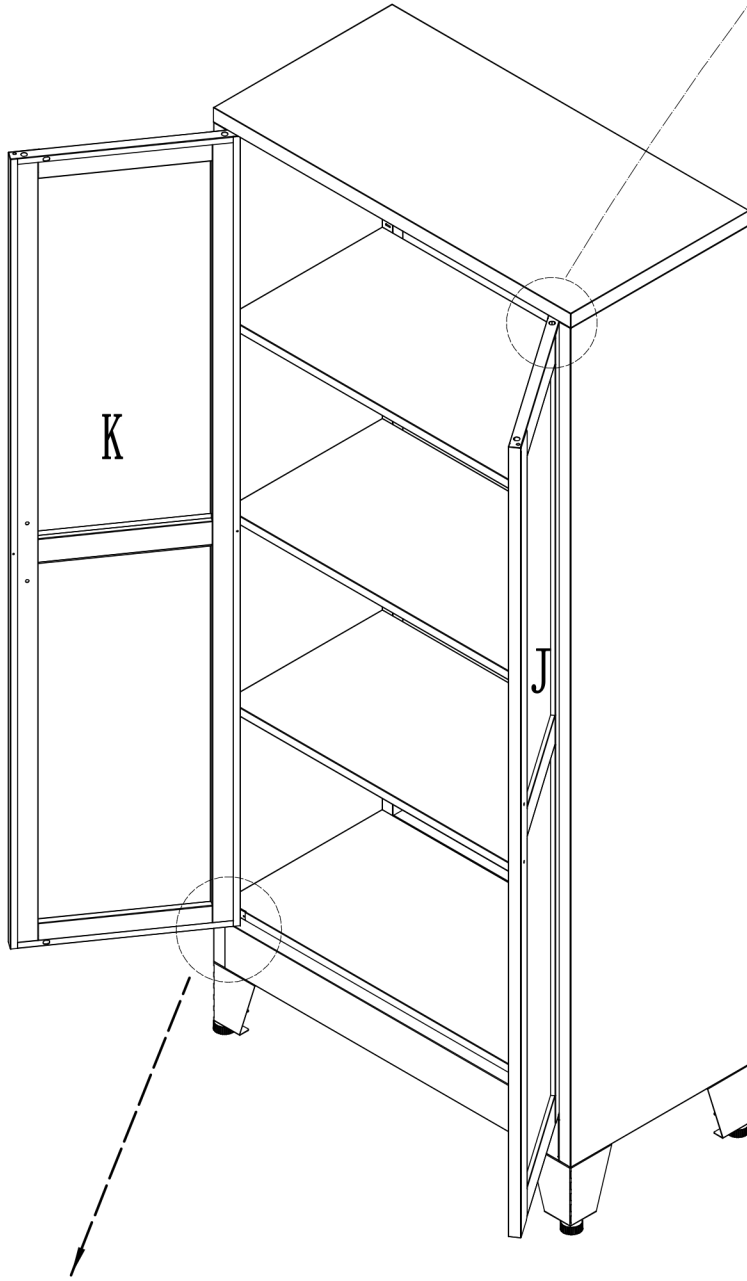


To install plastic grid latches,
hold the holes on both sides of the
latches to secure the grid



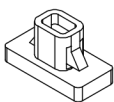
9

S*2 



10

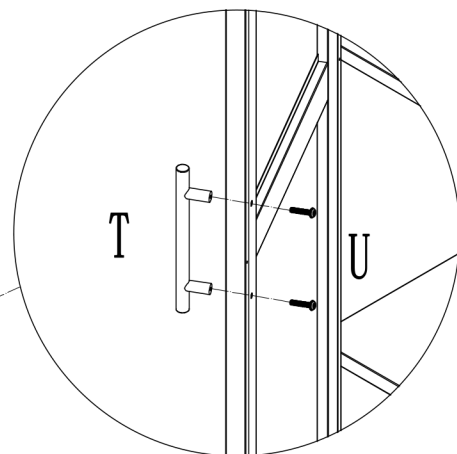
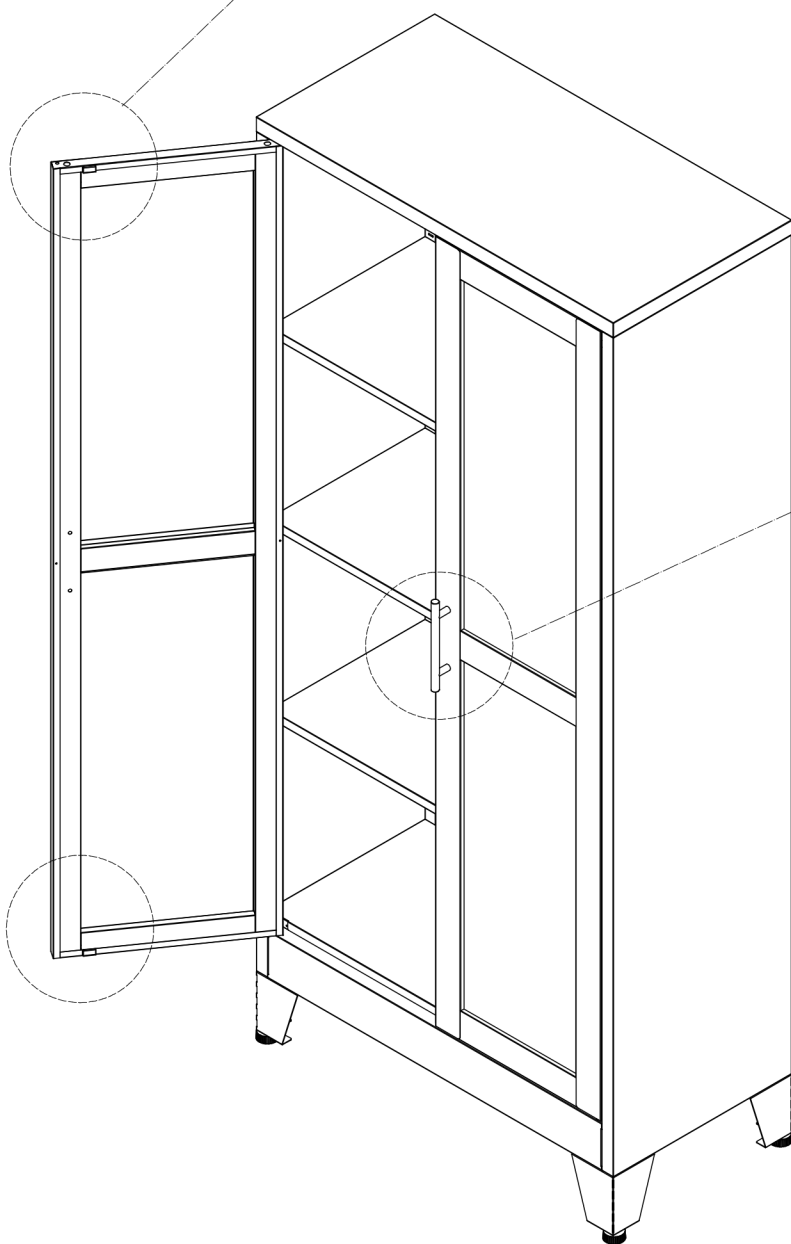
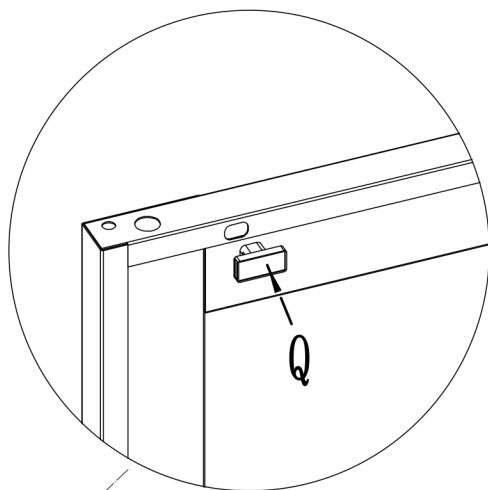
Q*4



T*2



U*4



11

The cabinet can be fixed to the wall as needed.

W*2

