

2-Light Water Ripple Glass Shade Flush Mount

Caution: Please turn off power before installation and read the manual carefully, we advise you contact professional electricians to install for safety purpose.

Product Features

Style: Modern

Material: Metal, Glass

Color: ORB

Base Type: E26

Light Source Included: NO

Voltage: 120VAC

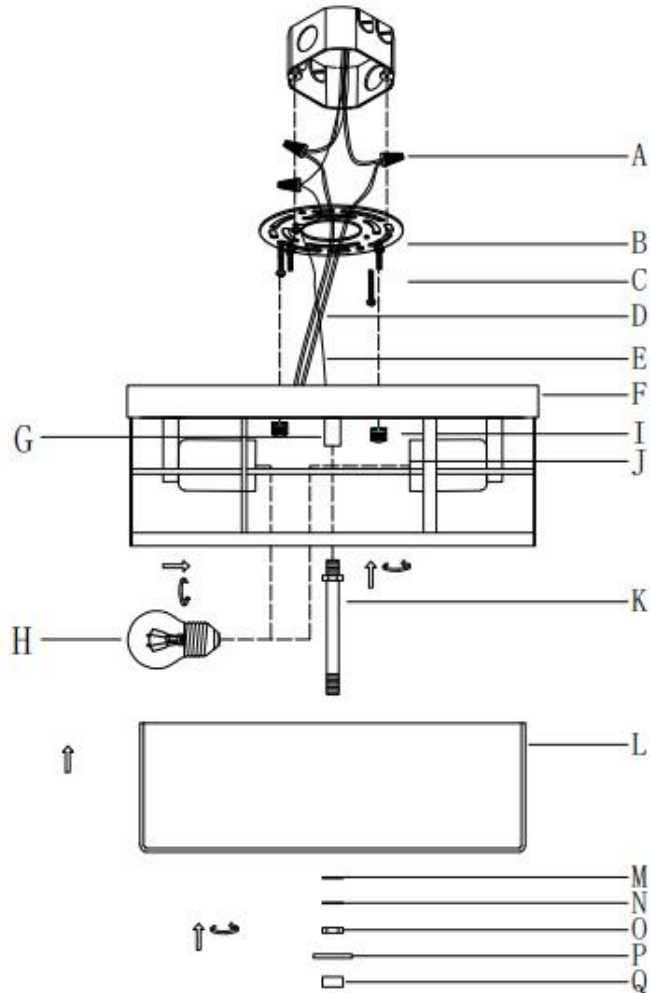
Wattage: 40W

Package includes

1 x Ceiling Light

1 x Accessories Kit

1 x User's Manual



Installation Instructions

1. First, turn off the power.
2. Twist the connecting rod (K) onto the lamp body connector (G) and secure it with a nut (adjust to the appropriate length).
3. Attach the mounting plate (B) to the electrical junction box by using supplied mounting screws (C).
4. Connect fixture wires (D) with wire nuts (A). (Note: Connect the black wire to the black (live) wire, the white wire to the white (neutral) wire, and the ground wire (E) to the external ground wire). Do not expose the bare wire to prevent leakage.
5. Place the canopy (F) onto the mounting plate (B) and tighten the cap nut (I) to fix the canopy in place.
6. Assemble the bulbs(H) (not included) to the lamp holder (J).
7. Place the glass cover (L), rubber gasket (M), and washer (N) onto the connecting rod, and tighten them with a nut (O).
8. Place the cover (P) over the nut and tighten it with a flat-headed nut (Q).
9. Turn on the power switch.

Note: Please use this product accordingly to its intended purpose, do not retrofit or remodeling the product. The warranty does not cover if the failure is caused by the third party product, or natural disasters.