

NOTE:

This brochure contains **IMPORTANT** safety info. Please read and keep for future reference.

MAINTENANCE AND WARNING

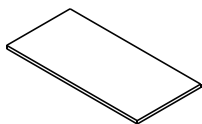
- Keep furniture away from heat.
- Do not clean furniture with harsh cleansers or polish. Do not use detergents, Solvents, abrasives, spray packs or leather cleaner. Use non-color mild soap with warm water clean spills(Mix 1:10 soap to water).
- Do not place furniture under direct sunlight, material will possibly fade over time.
- Do not use on site dry Cleaning machine.
- Children should not climb or jump on the furniture.
- Do not write on furniture without a padded barrier to protect the surface.
- Not for commercial use. For residential use only.



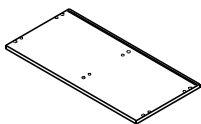
Weight Limitation

110LBS

PARTS LIST



A: X1



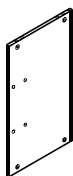
B: X1



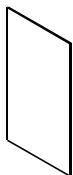
C: X1



D: X1



E: X1



F: X2



G: X4



H: X6



I: X6



J: X6



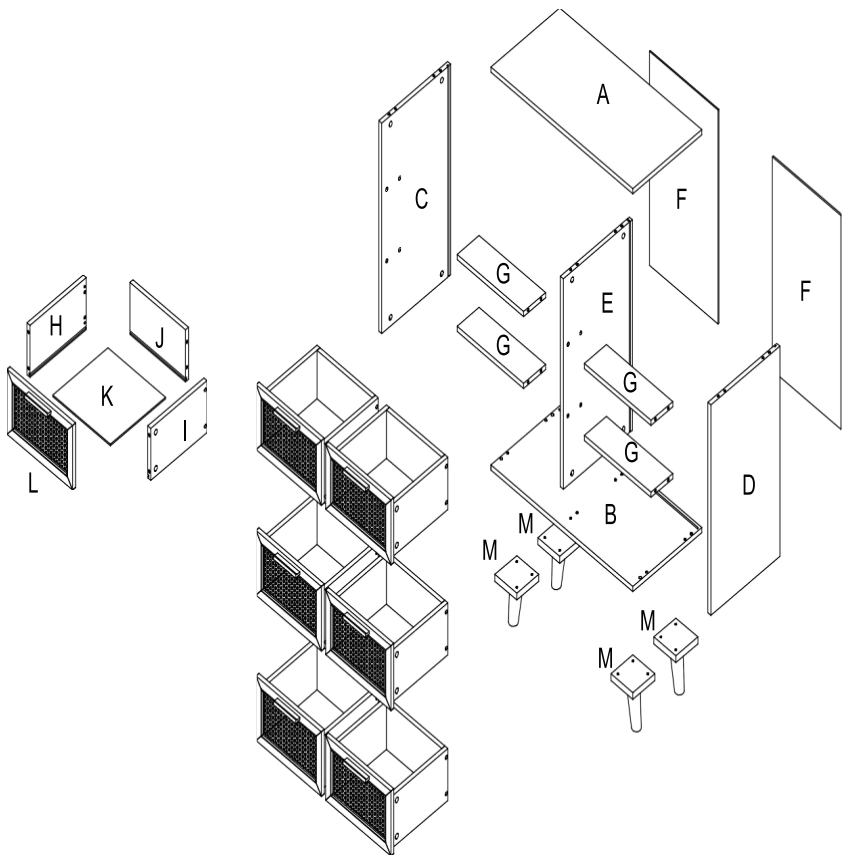
K: X6



L: X6

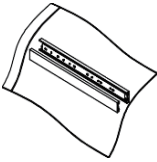


M: X4



OVERVIEW

HARDWARE LIST



①: X6



②: X72
M3*12mm



③: X24
8*1-1/4



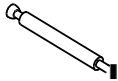
④: X6



⑤: X44



⑥: X52



⑦: X 4



⑧: X52
Ø 21mm



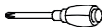
⑨: X56
Ø 8*30mm



⑩: X12
M6*25mm



⑪: X1



⑫: X1



⑬: X1

SPARE



②: X1
M3*12mm



③: X1
8*1-1/4



⑤: X1



⑥: X1



⑧: X1
Ø 21mm



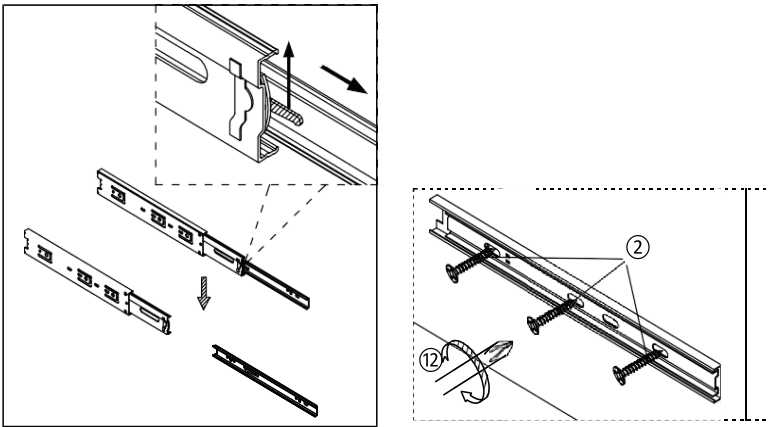
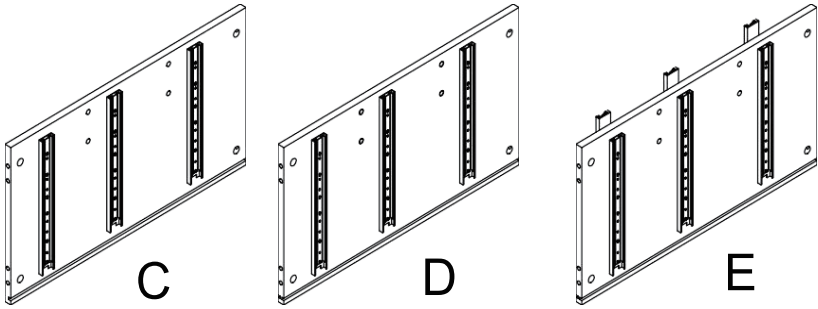
⑨: X1
Ø8*30 mm



⑩: X1
M6*25mm

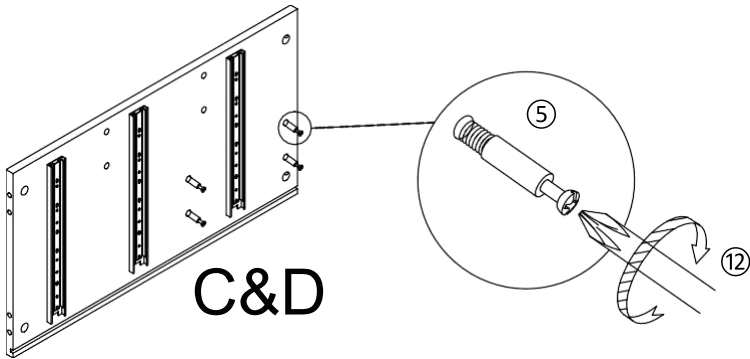
Be sure to check all packing material carefully for small parts, which may have come loose inside the carton during shipment.

ASSEMBLY INSTRUCTIONS



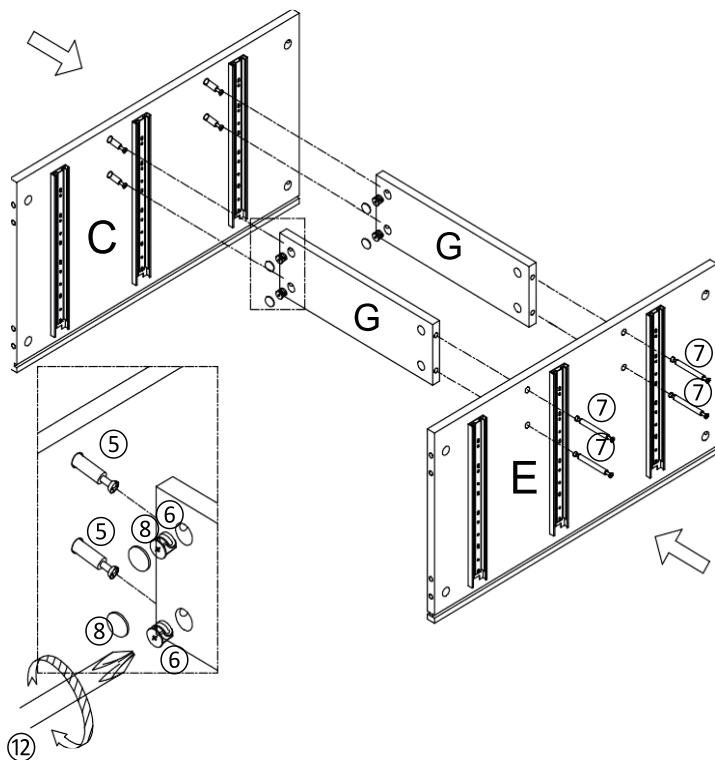
STEP 1: Preparation for panel C, D and E.

1. Separate the drawer slider into two parts: one is female metal part 1-1 and male metal part 1-2.
2. Align the hole in the female metal part 1-1 to the predrilled hole in pane C, screw in and tighten the screw 2 by screwdriver 12.
3. Repeat the same way to finish panel D and E.



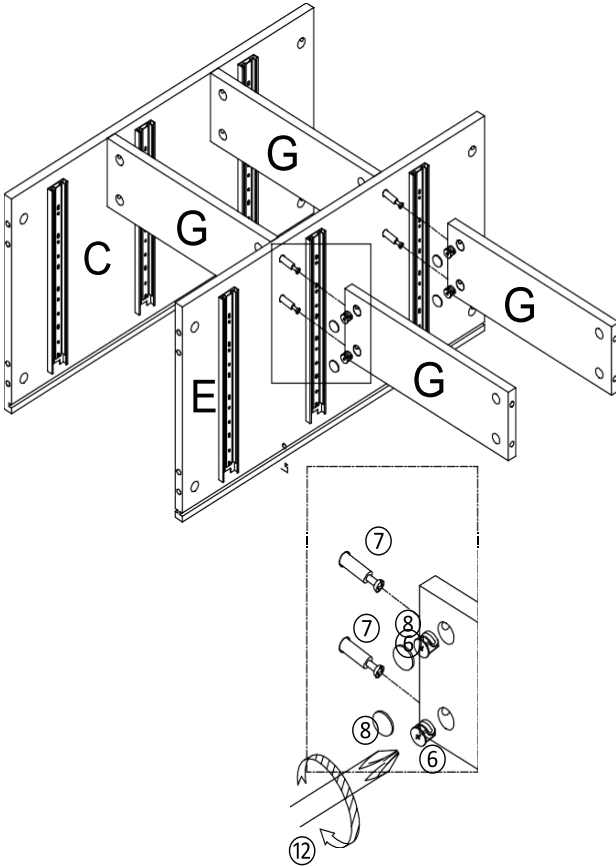
STEP 2: Preparation for panel C and D.

1. Align the hole in panel C, screw in and tighten cam bolt 5 by screwdriver 12.
2. Repeat the same way to finish panel D.



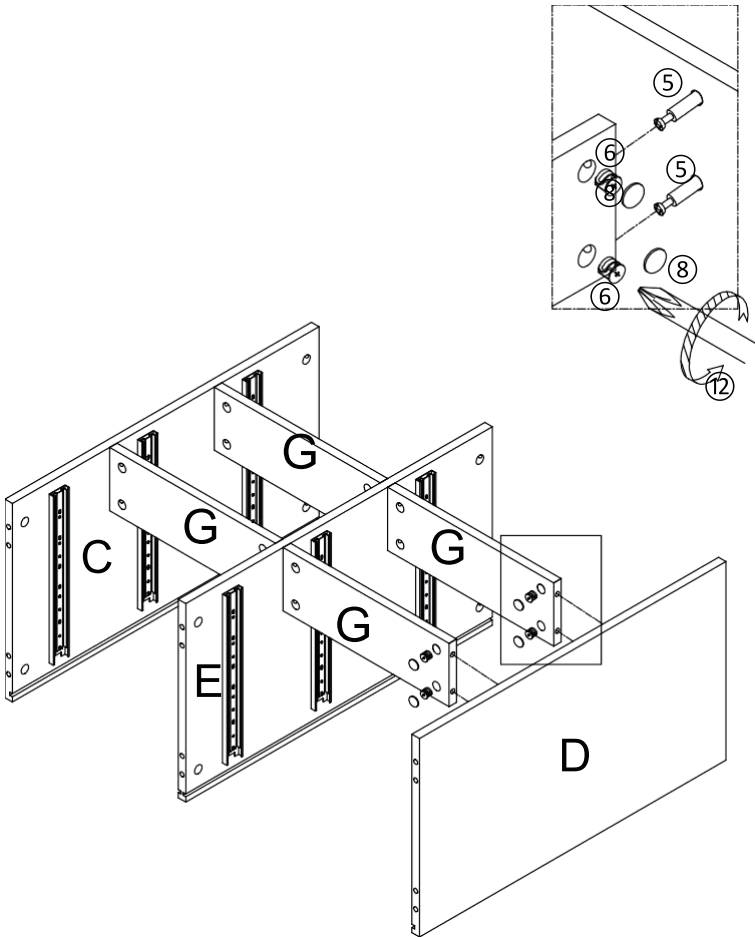
STEP 3: Connect the panel C and D to the panel G.

1. Align the hole in the panel G, insert the cam bolt 5 into the hole in panel G, put the nut 6 into hole as the picture show, tighten the nut 6 by screwdriver 12. then coner the screw hole by part 8.
2. Align the hole in the panel G, insert the hardware part 7 into the hole of panel G through the panel E as the picture show. Put in and Tighten the nut 6 by screwdriver 12, then cover the screw hole by part 8.



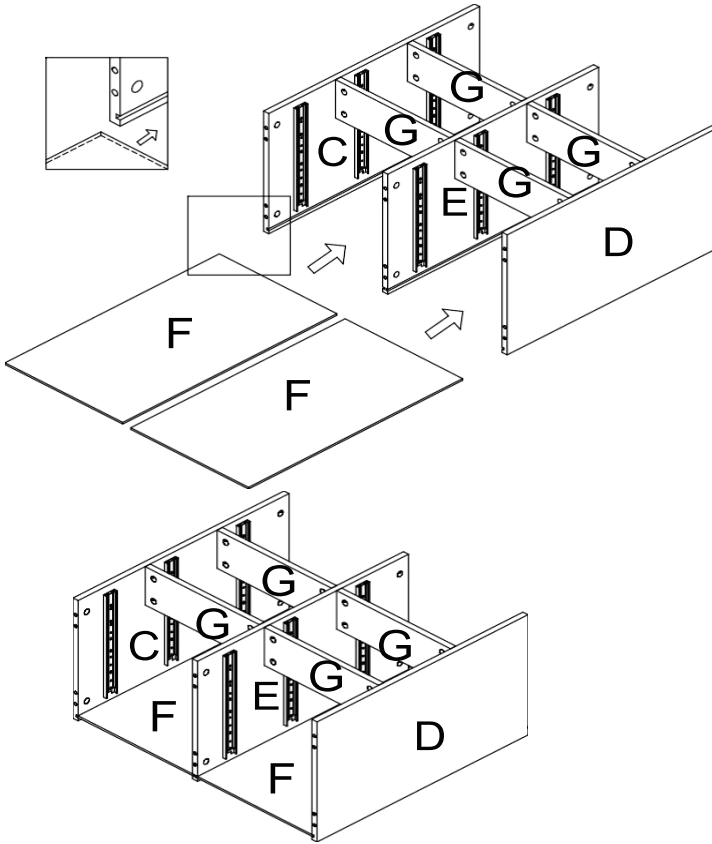
STEP 4: Connect the panel G to the finished part in step 3.

Align the hole in the panel G , insert the hardware part 7 into the hole of panel G , put in and tighten the nut 6 by screwdriver 12. then cover the hole by part 8.

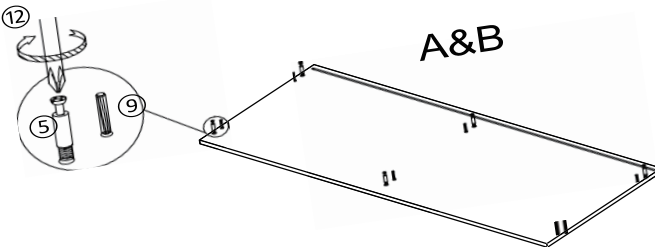


STEP 5: Connect the panel D to the panel G.

Align the hole in the panel G, insert the cam bolt 5 into the hole of panel G, put in and tighten the nut 6 by screwdriver 12, then cover the screw hole by part 8 as the picture show.

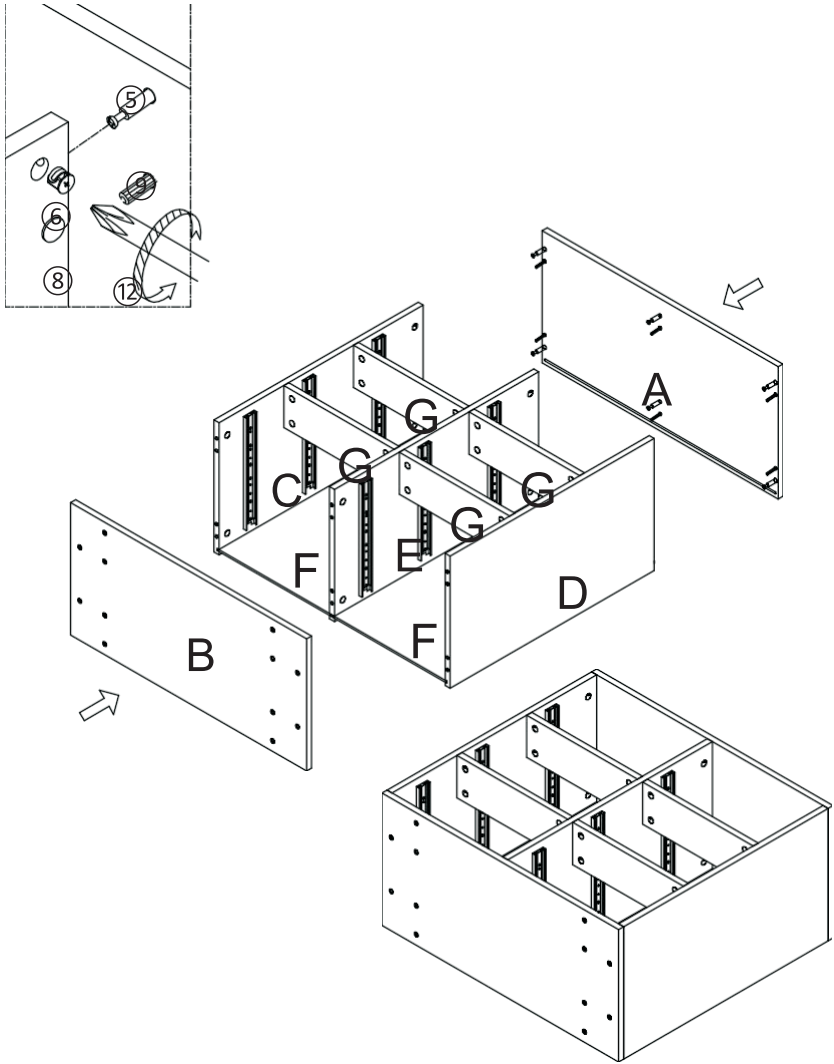


STEP 6: Slide in the panel F into the groove in the panel C, D and E as the picture show.



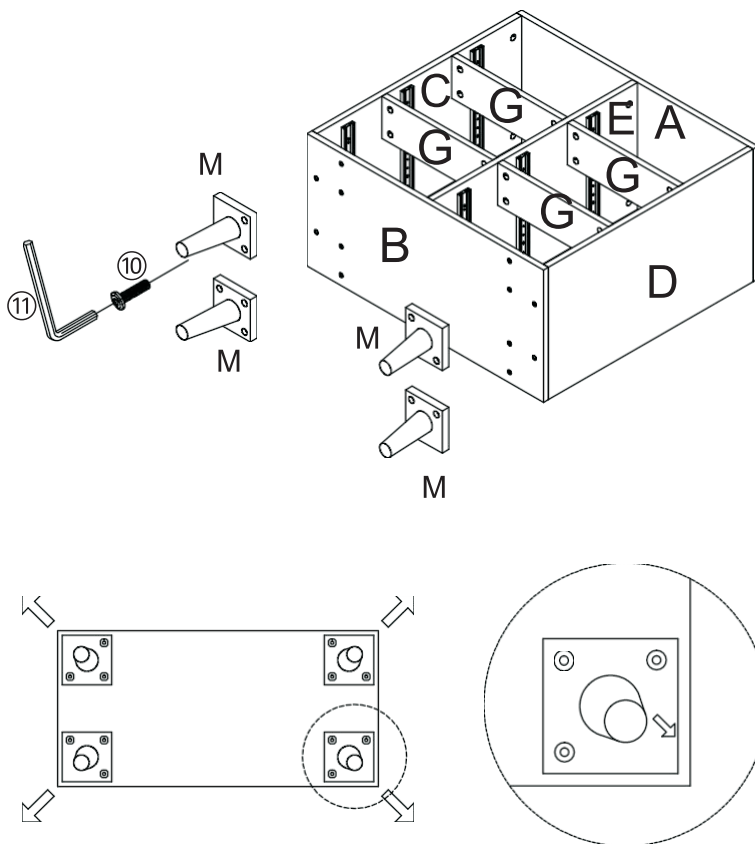
STEP 7:Preparation for panel A and B.

1. Align the hole in the panel A, insert the wooden dowel 9 into the predrilled hole by hand as the picture show;
2. Align the hole in the panel A, screw in and tighten the cam bolt 5 by screwdriver 12.
3. Repeat the same way to finish the panel B.



STEP 8: Connect the panel A and B to the frame finished in step 7.

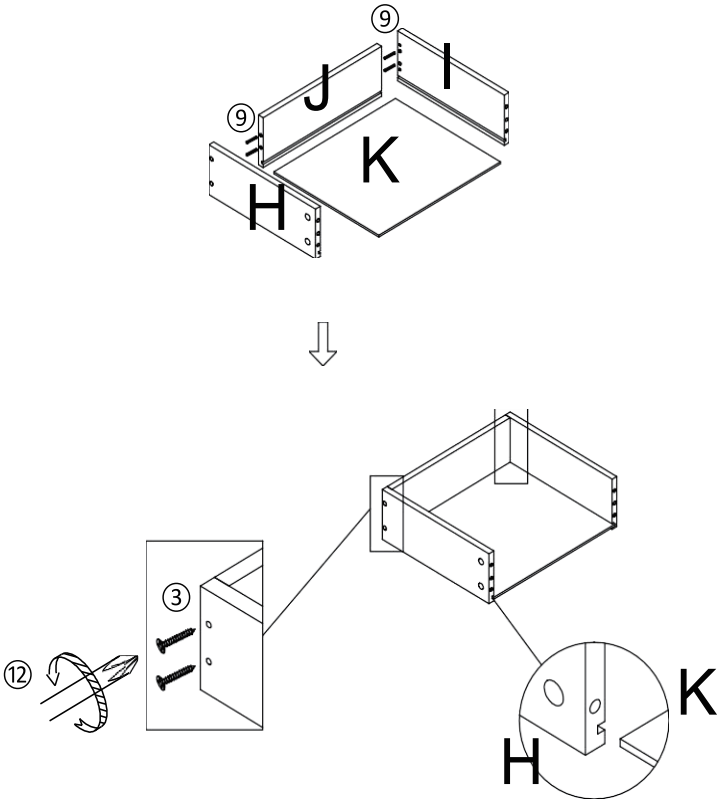
1. Align the hole in the panel C, D and E, insert the cam bolt 5 and wooden dowel 9 in the panel A at same time, put in and tighten the nut 6 by screwdriver 12 , then cover the screw hole by part 8.
2. Repeat the same way to finish the panel B to the frame part.



STEP 9: Attach the leg to the panel B.

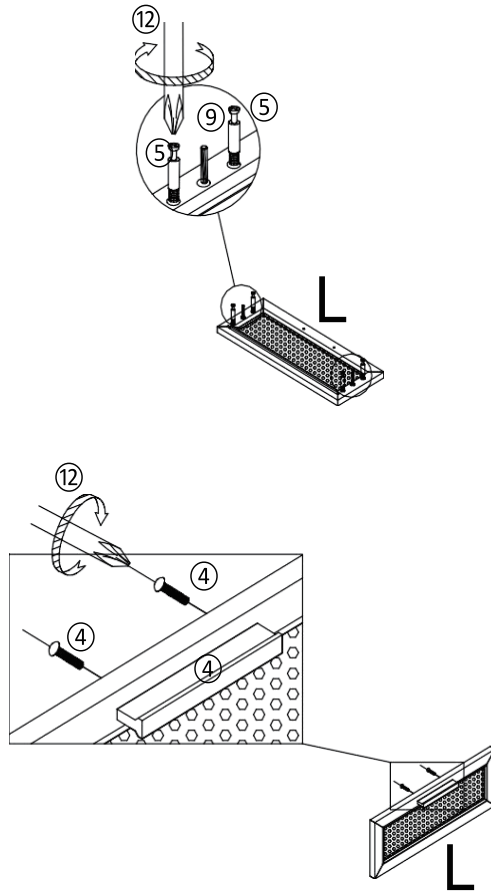
Align the hole in the leg part M to the hole in panel B, screw in and tighten the screw 10 by Allenkey 11.

Be sure the finished leg direction is towards outside of cabinet!



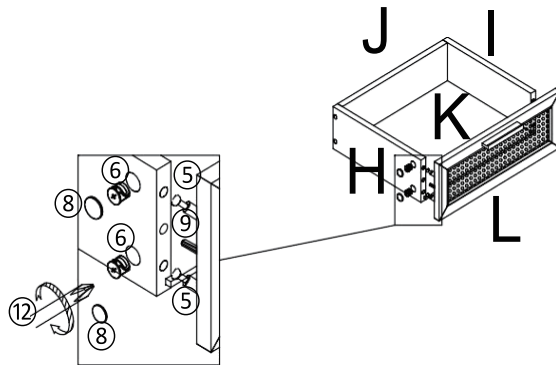
STEP 10:preparation for drawer parts.

1. Align the hole in the panel J, insert the wooden dowel 9 in the hole by hand.
2. Align the hole in the panel H and I, push the wooden dowel 9 in panel H and I by hand at the same time to make the panel H and I connect to the panel J.
3. Align the hole in the panel H and I, screw in and tighten the screw 3 by screwdriver 12.
4. Slide in the panel K into the groove in the panel H, I and J as the picture show.



STEP 11: Preparation for panel L.

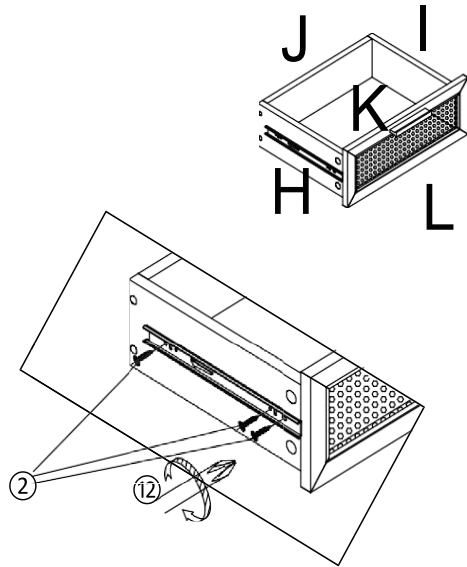
1. Align the predrilled hole in the panel L, insert the wooden dowel 9 into the hole by hand.
2. Align the hole in the panel L, screw in and tighten the cam bolt 5 by screwdriver 12.
3. Align the hole in the puller part 4 to the hole in the panel L as the picture show, screw in and tighten the screw 4 by screwdriver 12.



STEP 12: Connect the panel L to the drawer frame finished in step 10.

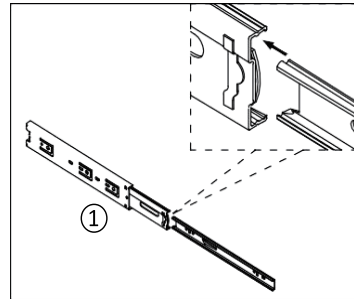
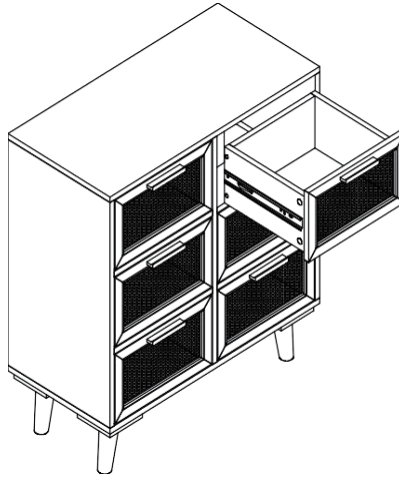
Align the hole in the panel H and I, insert the wooden dowel 9 and cam bolt 5 at the same time, put in and tighten the nut 6 by screwdriver 12, then cover the screw hole by part 8.

Be sure the panel K also into the groove in the panel L before you tighten the nut 6!



STEP 13: Attach the male metal slider 1-2 to the drawer.

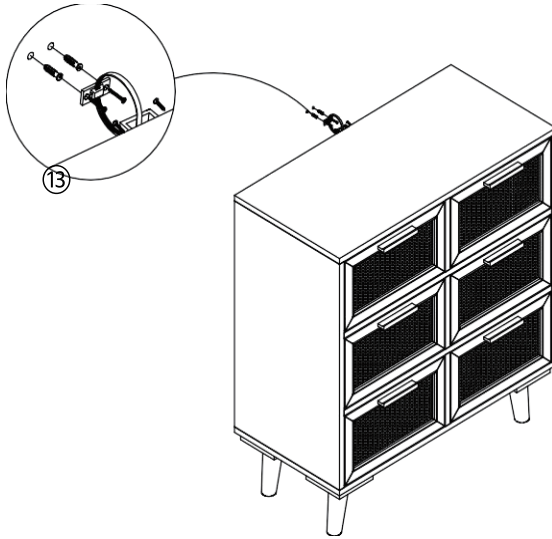
Align the hole in the male metal slider 1-2 to the predrilled hole in panel H and I, screw in and tighten the screw 2 by screwdriver 12.



STEP 14: Connect the drawer to the cabinet.

Align the male slider 1-2 to the female slider 1-2 at the same time as the picture show, then push into the drawer.

You can adjust the male metal slider position after loose the screw to make the drawer fit the cabinet in case you meet this issue.



STEP 15: Install the anti-collapse device.

1. Assemble one of the loop hook at the back of cabinet top panel A. Align the hole in the loop hook to the hole in the panel A, screw in and tighten the screw by screwdriver.
2. Mark the same height on the wall and drill hole, insert the expandable nail by hammer, then install another loop hook on the wall.
3. Use the plastic belt go through the two loop hooks and pull to tighten, make sure the cabinet is connected and stable.

WARRANTY

We strive to offer high-quality products, and we also try our best to satisfy each and every customer that orders from us with product or service as needed. We provide 30 days warranty starting from the time you receive the item. Each customer must provide a record of their order such as the order number, or item receipt for any items that are out of the warranty period you may also still receive replacement parts by purchasing them with our company if they are available.

**Are you having difficulty
with assembly? Missing parts?**

Please send email with your order No.

**For return, please check the return policy with
the Retailer or MarketPlace you bought from.**

**Appreciated your purchasing from us.
Pop up your life by our furniture piece!**