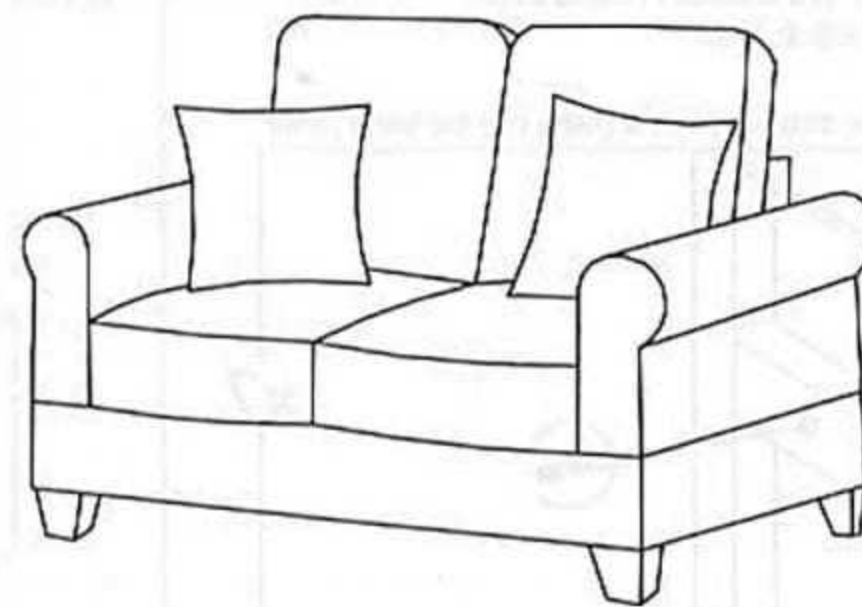
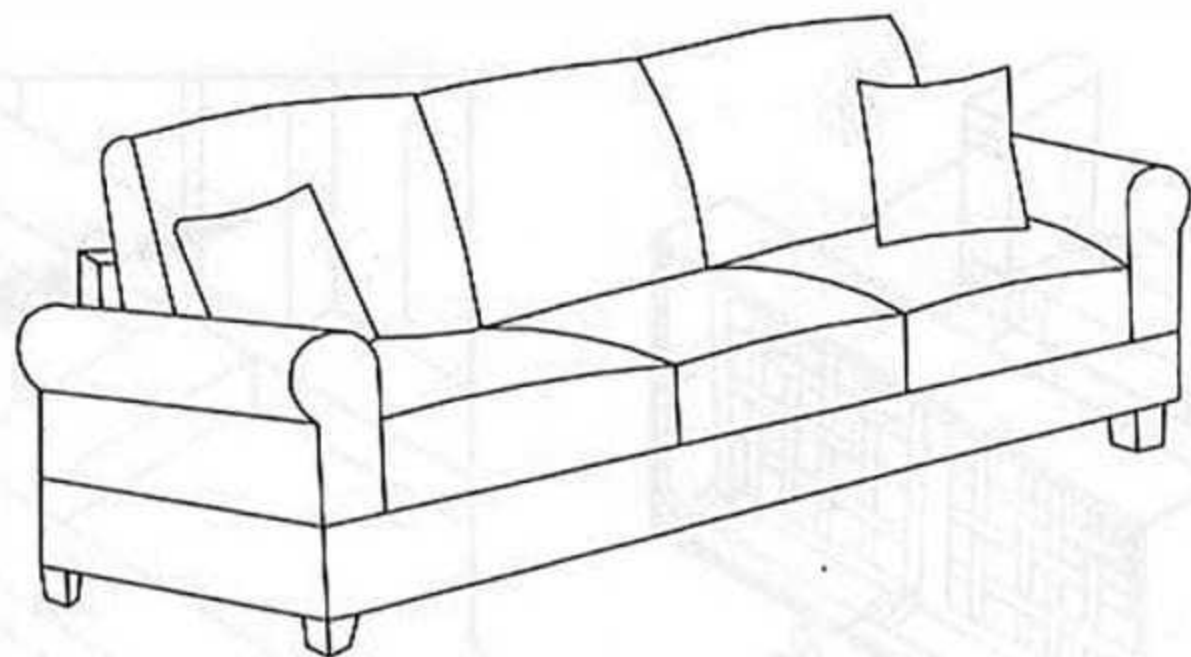
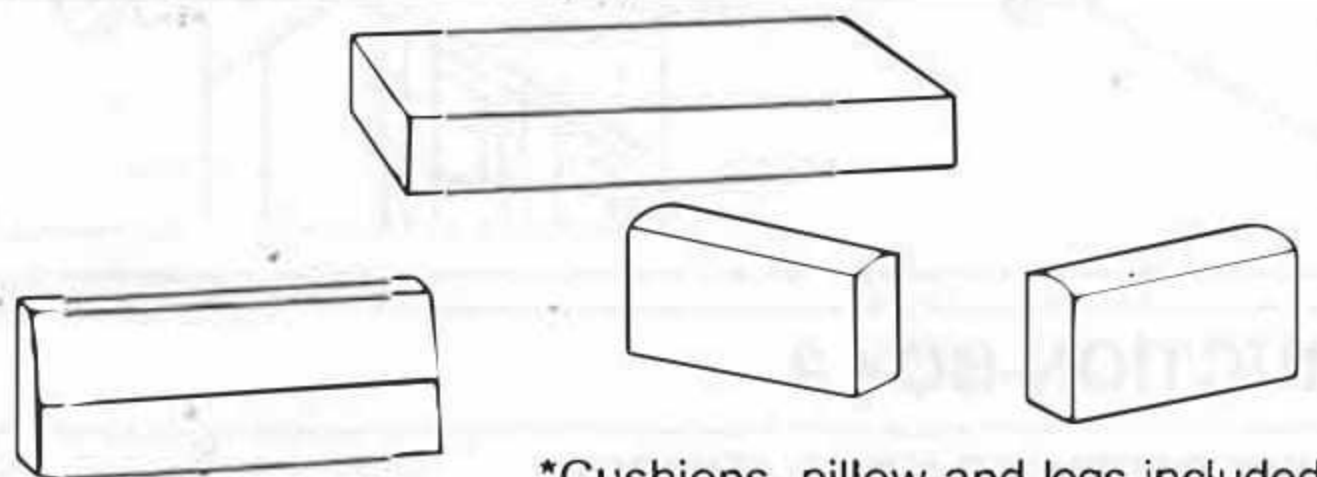


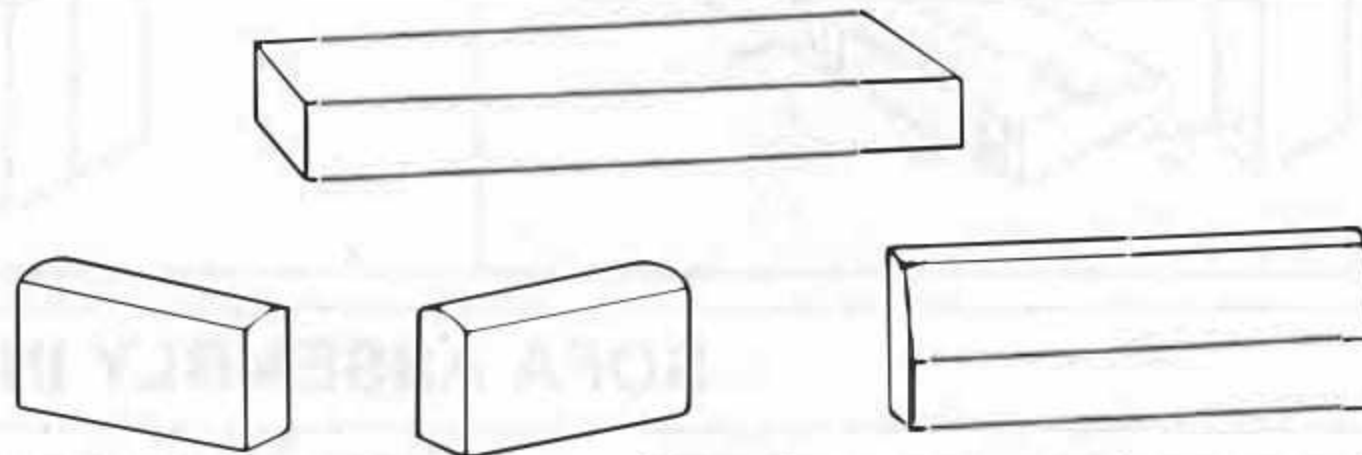
ASSEMBLY INSTRUCTION



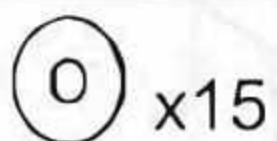
PARTS LIST



*Cushions, pillow and legs included



*Cushions, pillow and legs included



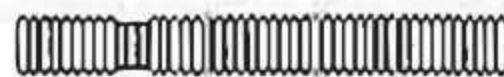
x15



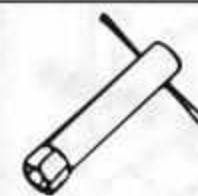
x15



x15



x15

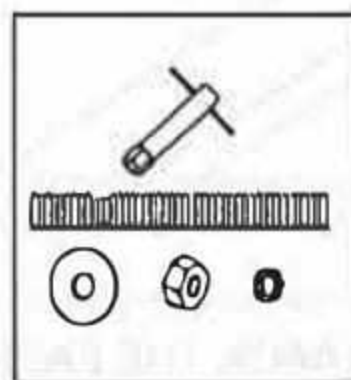
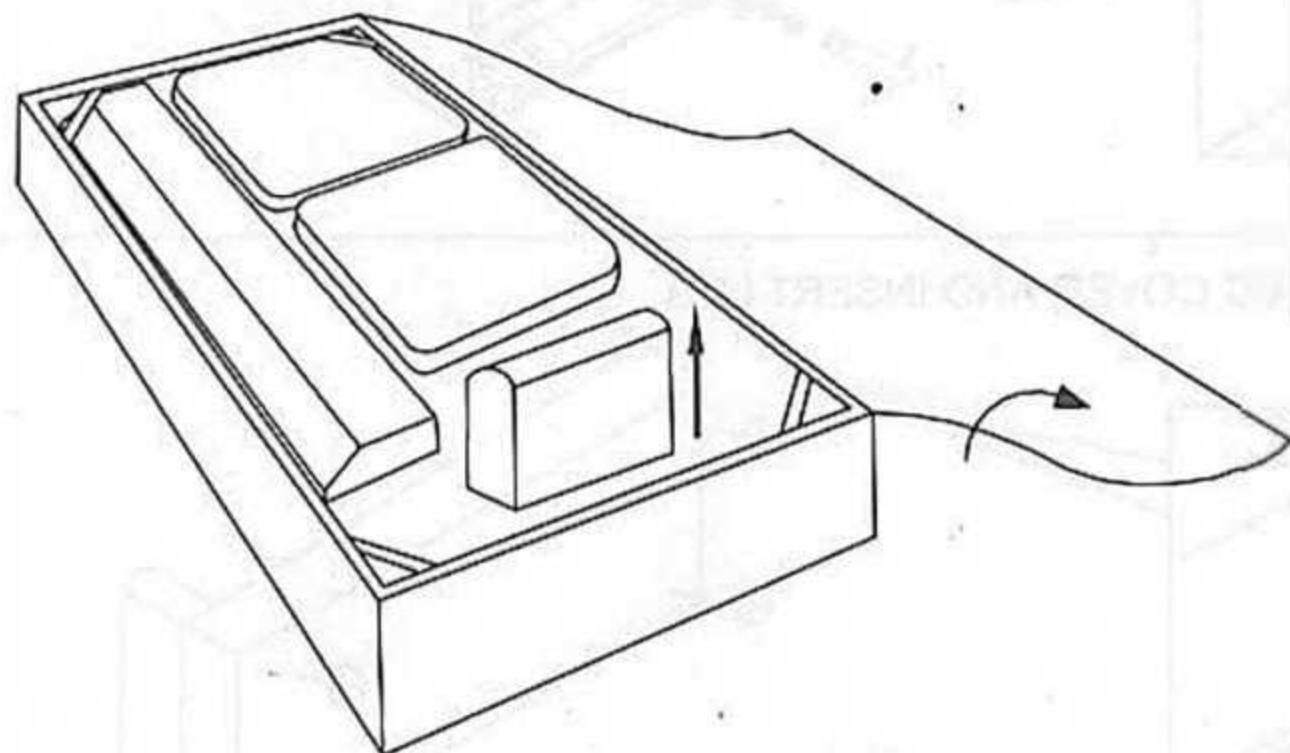


x2



x8

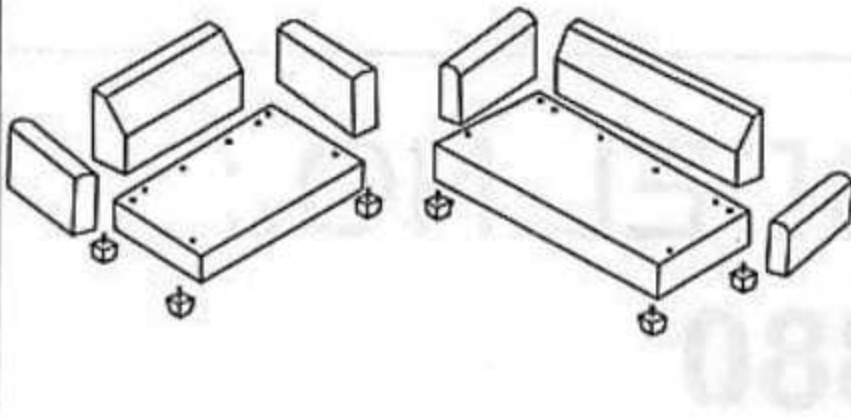
BEFORE ASSEMBLY



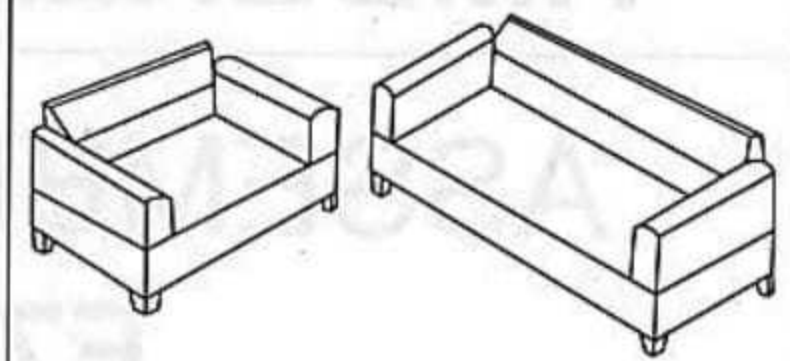
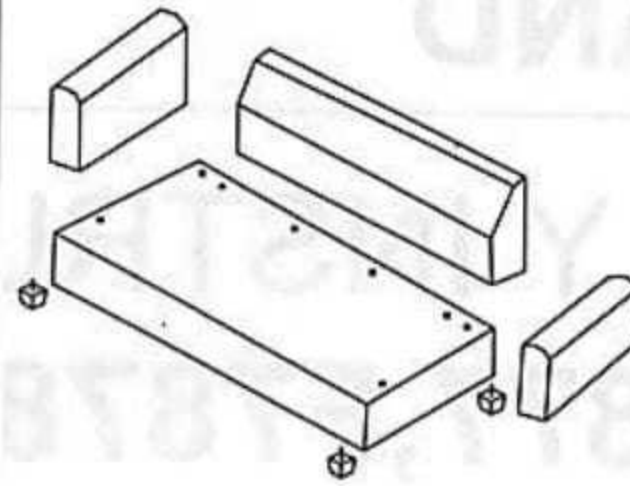
Open up the Velcro of Non-Woven Fabric cover on the bottom of the seat frame to remove seat cushions, back cushions and pillow.

PLEASE REMOVE ALL PARTS FROM SEAT FRAMES AND BACKS BEFORE ASSEMBLY

LOVESEAT



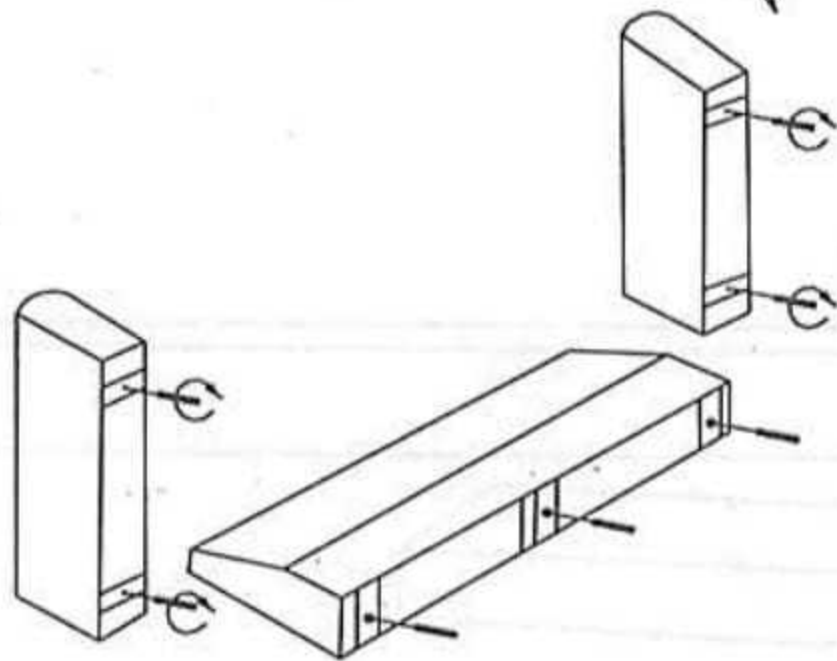
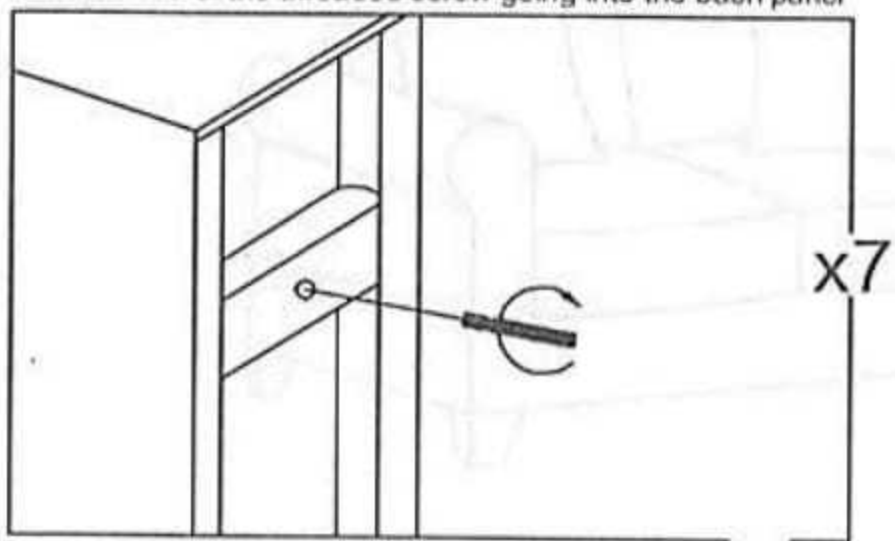
SOFA



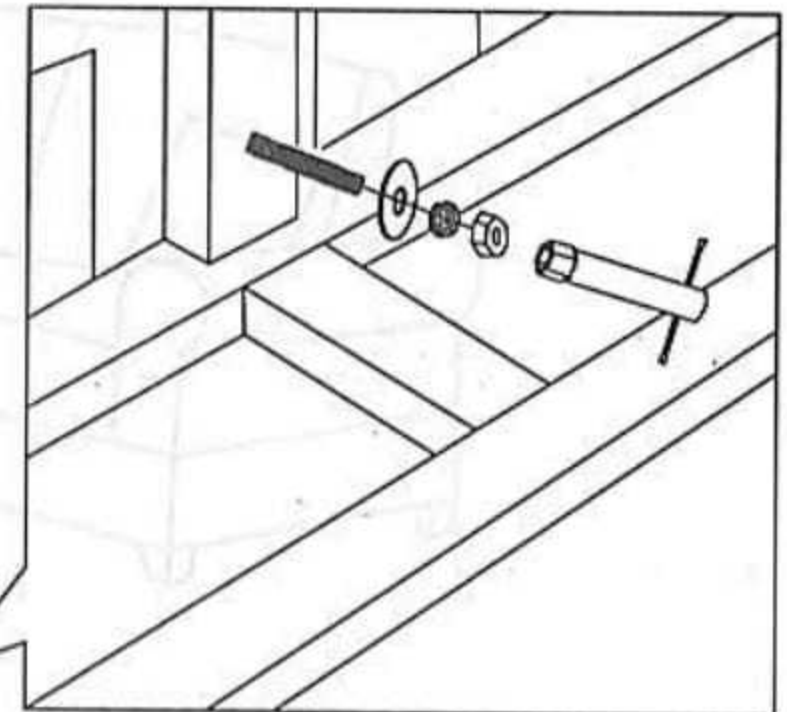
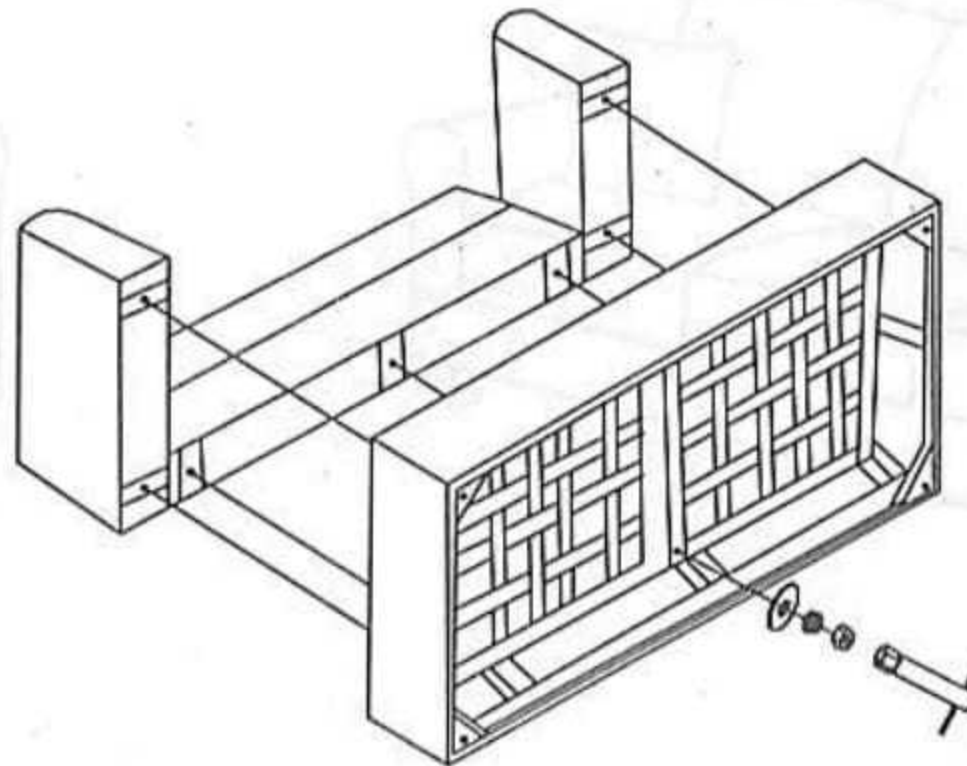
LOVESEAT ASSEMBLY INSTRUCTION-BOX 1

STEP 1- INSERT THREADED RODS INTO SEAT BACKS & ARM

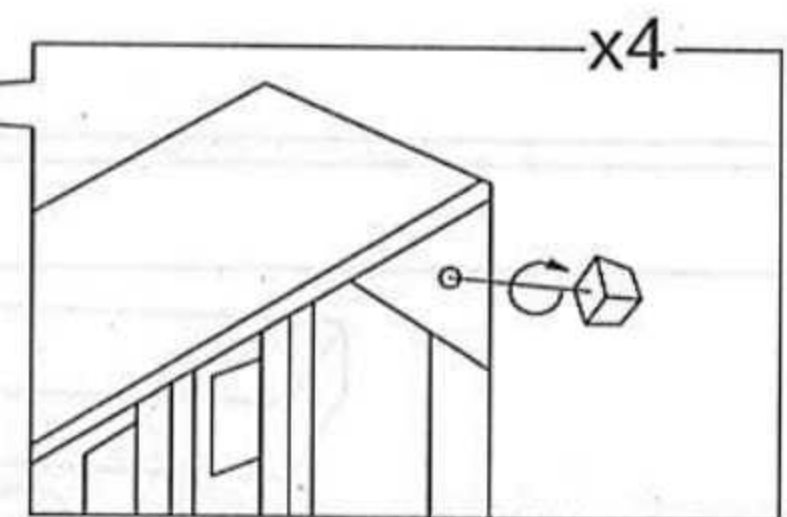
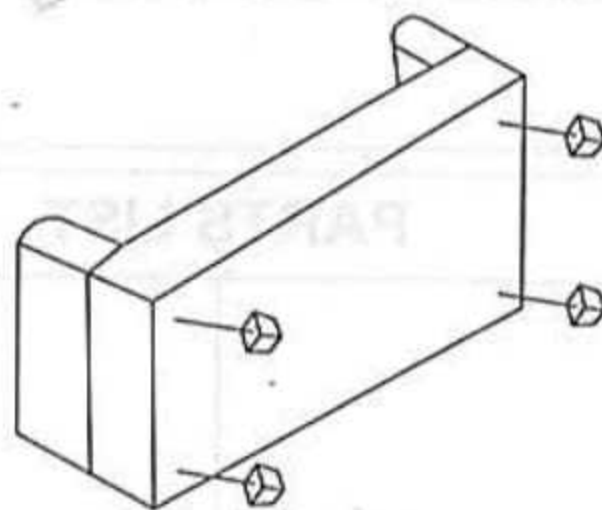
Shorter end of the threaded screw going into the back panel



STEP 2- MOUNT SEAT BACKS & ARM INTO THE SEAT FRAME

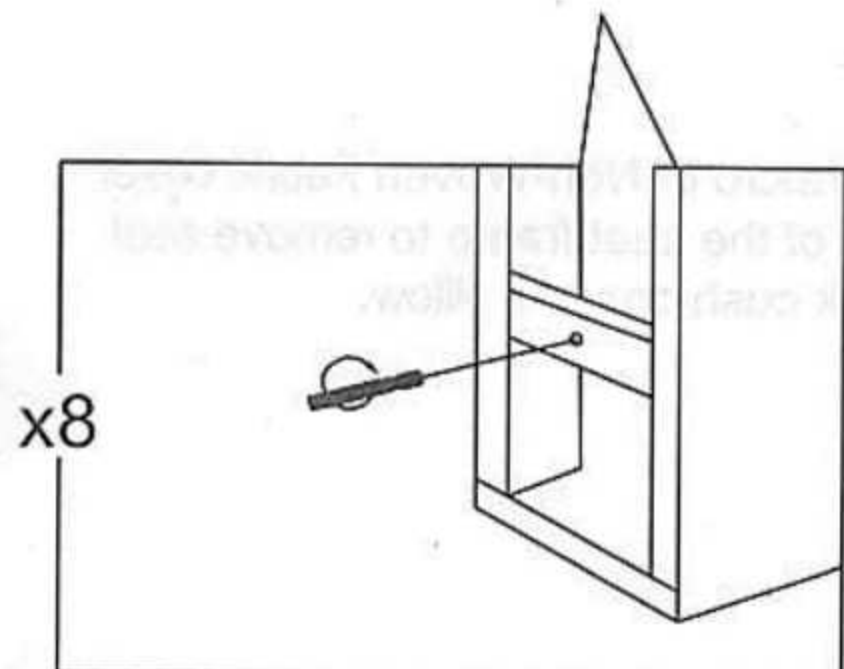
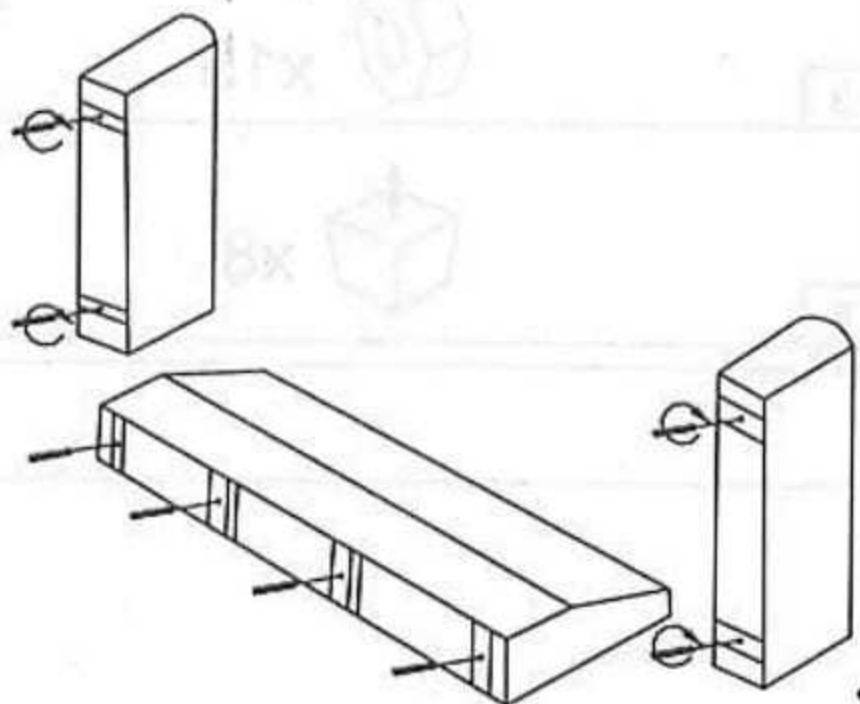


STEP 3- PUT BACK THE FABRIC COVER AND INSERT LEG

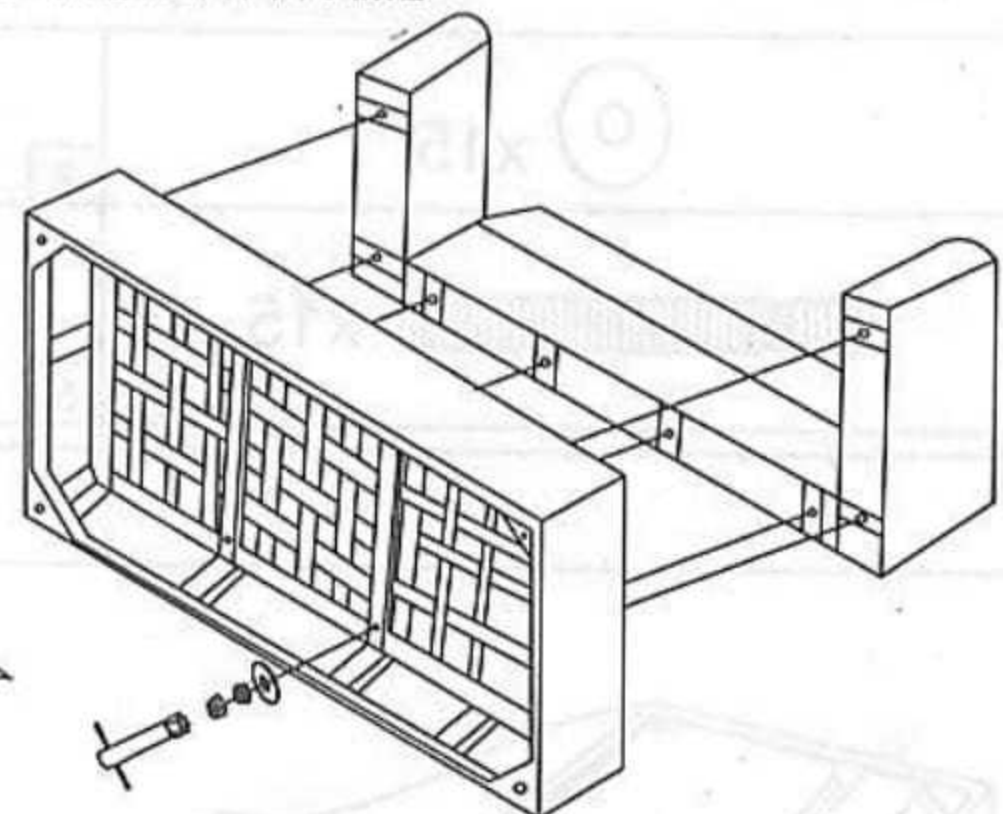
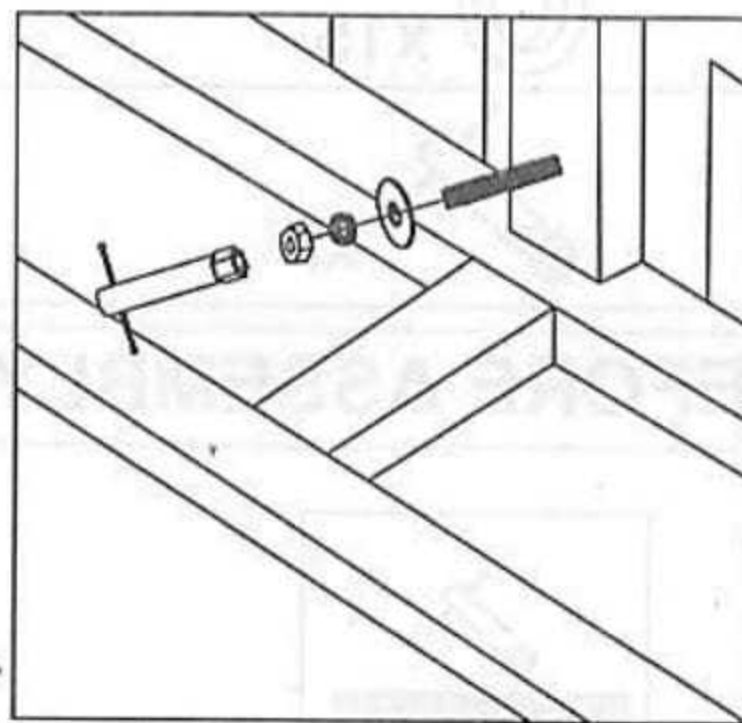


SOFA ASSEMBLY INSTRUCTION-BOX 2

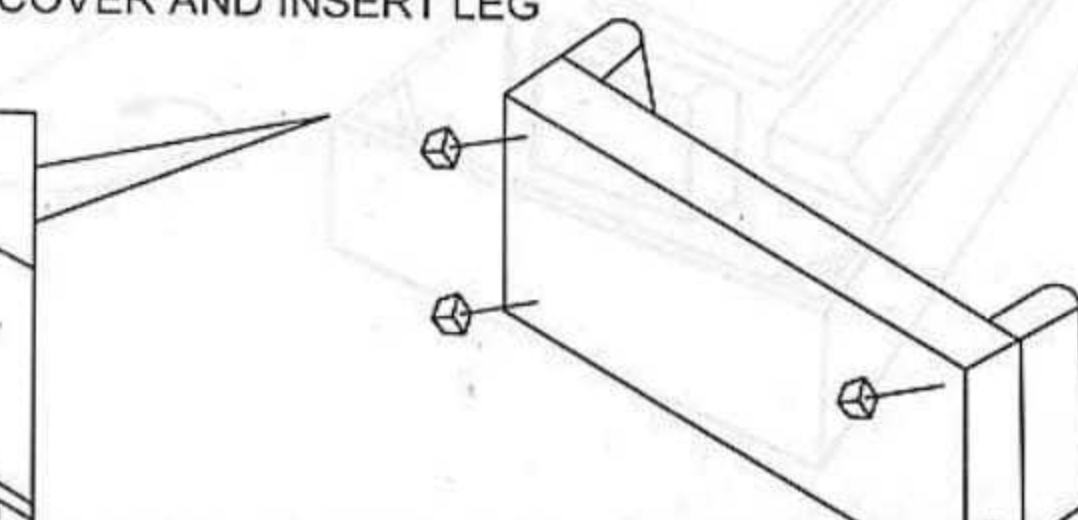
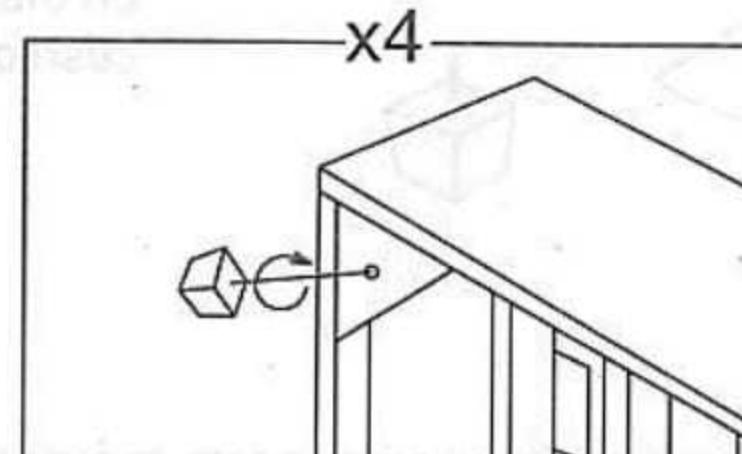
STEP 1- INSERT THREADED RODS INTO SEAT BACKS & ARM



STEP 2- MOUNT SEAT BACKS & ARM INTO THE SEAT FRAME



STEP 3- PUT BACK THE FABRIC COVER AND INSERT LEG



Shorter end of the threaded screw going into the back panel