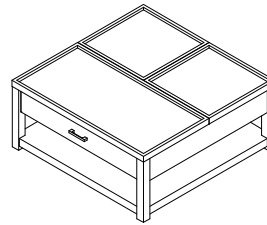


ASSEMBLY INSTRUCTIONS



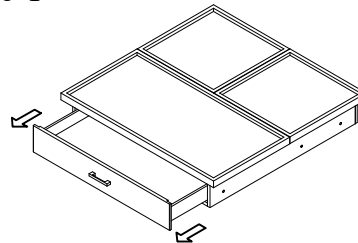
TOOLS REQUIRED:

- Allen Wrench (Provided, Part E)
- ScrewDriver (Not Provided)

BEFORE YOU START:

1. Check the parts against the parts list to make sure all items are present.
2. Assemble your furniture on a soft, flat surface to avoid scratching the finish.
3. **CAUTION:** Do not over tighten screws, nuts or bolts during assembly.
4. Your furniture may require occasional tightening.

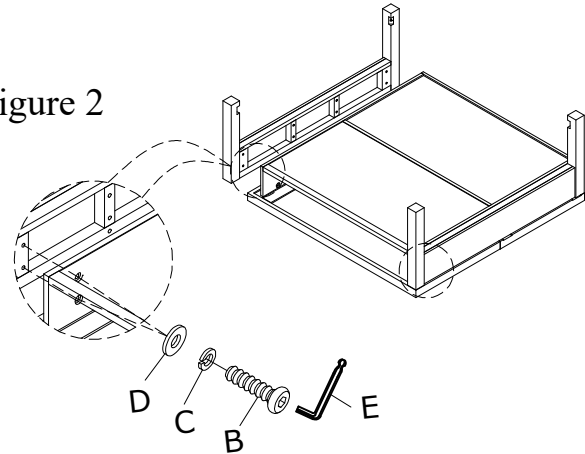
Figure 1



INSTRUCTIONS:

1. Remove the drawer to the outside. As shown in Figure 1
2. Turn the table upside down on to a clean soft surface.
3. Attach two legs to the top using Allen Bolt (B) lock washer (C),flat washer (D) and the Allen Wrench (E).As Shown in Figure 2. (Do not over tighten bolts during assembly)

Figure 2

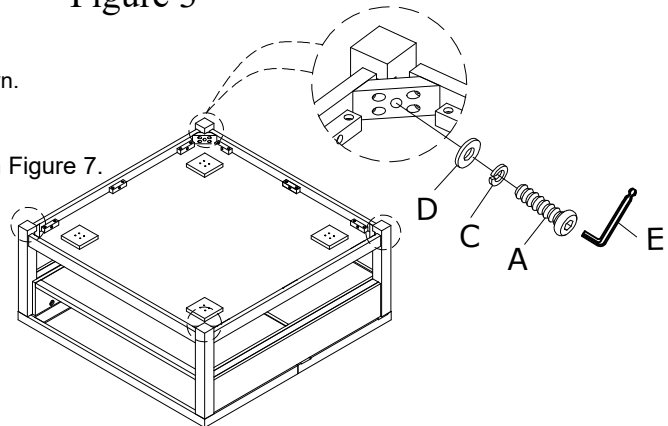


4. Attach shelf panel to the legs using Bolt (A), lock washer (C),flat washer (D) and the Allen Wrench (E).As Shown in Figure 3. Align leg frame and shelf panel, tighten bolts by Allen Wrench (E).

5. Attach casters (F) to the bottom panel using screws (G) and the ScrewDriver (not Provided). As Shown in Figure 4.

6. Turn the table upright. Attach top to the legs using Bolt (B),lock washer (C),flat washer (D) and the Allen Wrench (E). As Shown in Figure 5.

Figure 3



- 7.Tighten all bolts before using and press table top down. As shown in Figure 6.

- 8.Install the drawer back inside the table. As shown in Figure 7.

HARDWARE LIST			
NO.	Drawing	Description	Q'TY
A		Allen Bolt (ø5/16 x 1-3/4")	4 pcs
B		Allen Bolt (ø5/16 x1-3/16")	12 pcs
C		Lock Washer Ø5/16"	16 pcs
D		Flat Washer Ø5/16"*19mm	16 pcs
E		Allen Wrench	1 pc
F		Casters	4pcs
G		Screw #4*20mm	16pcs

ASSEMBLY INSTRUCTIONS

Figure 4

TOOLS REQUIRED:

- Allen Wrench (Provided, Part E)
- ScrewDriver (Not Provided)

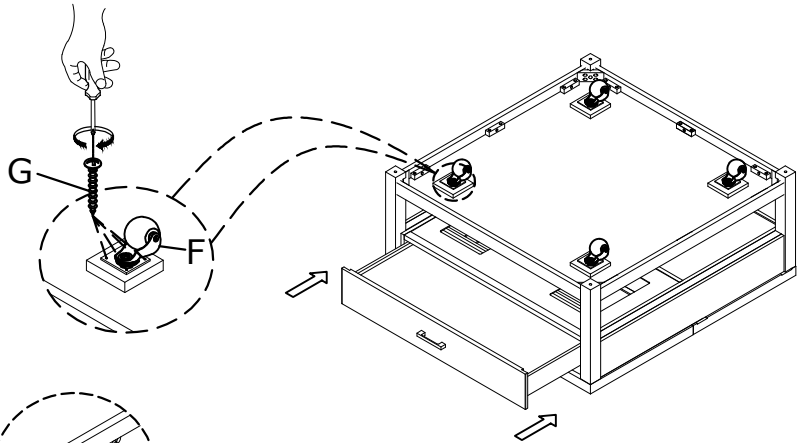


Figure 5

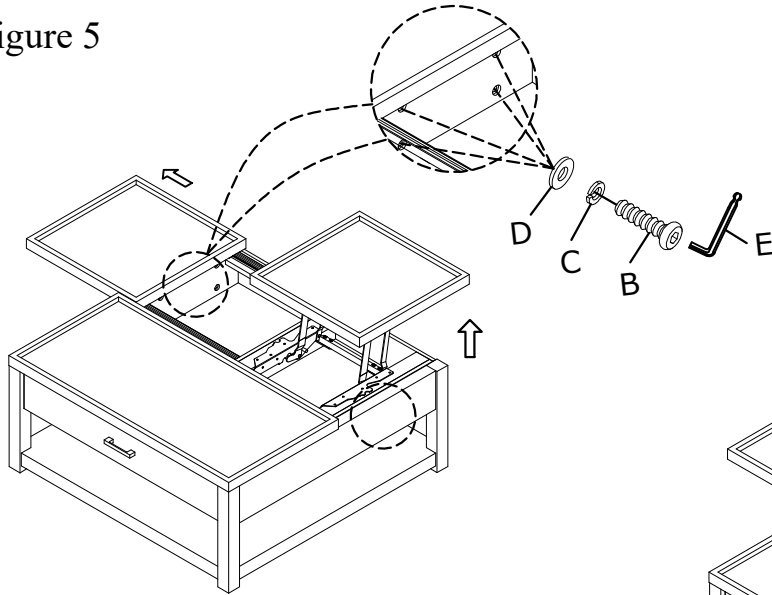


Figure 6

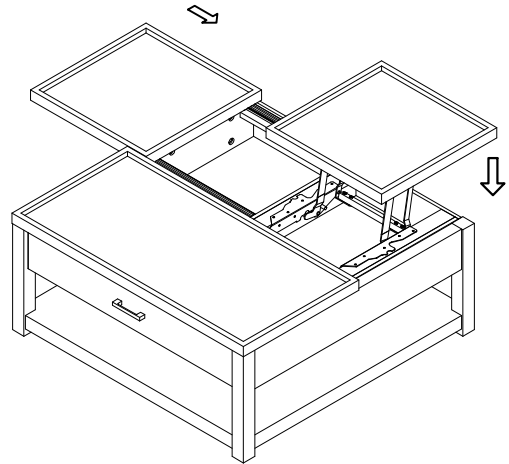


Figure 7

