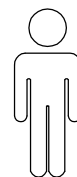
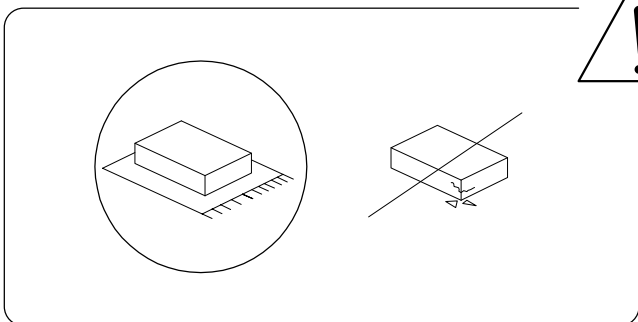
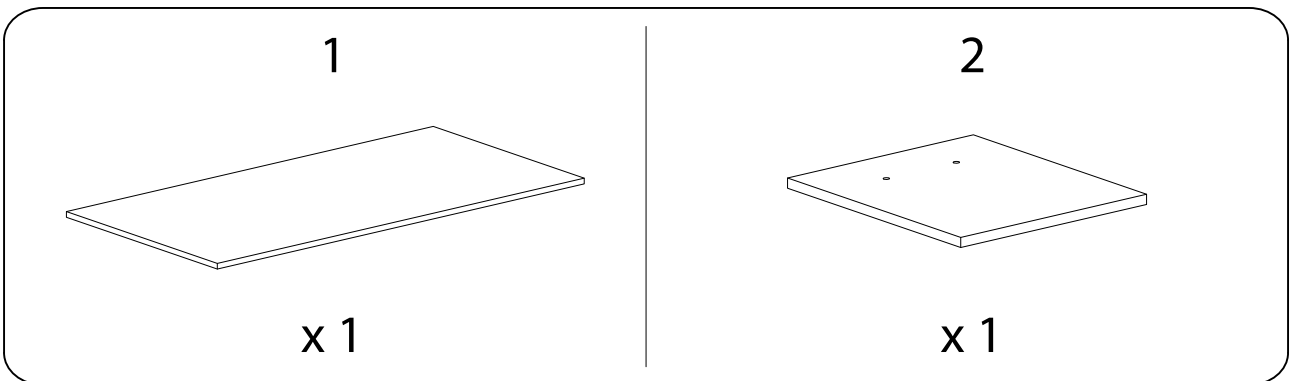
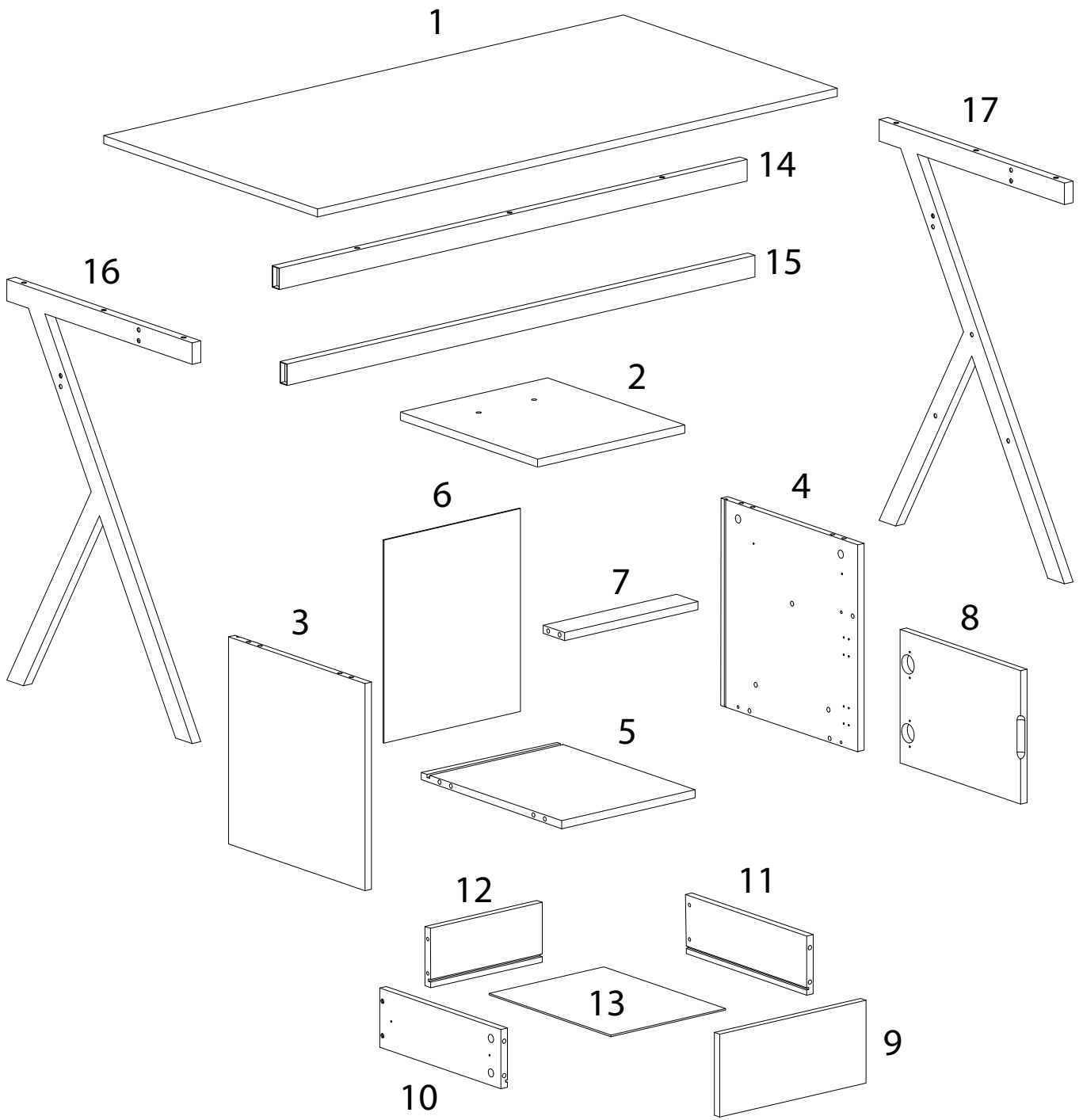


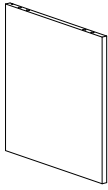
30'



2

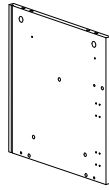


3



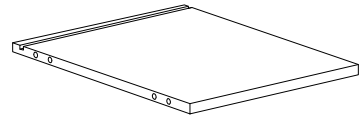
x 1

4



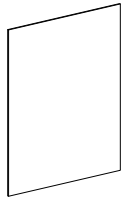
x 1

5



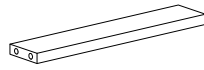
x 1

6



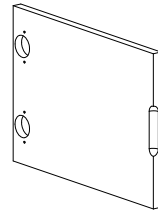
x 1

7



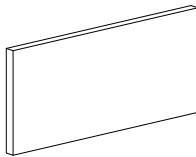
x 1

8



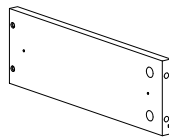
x 1

9



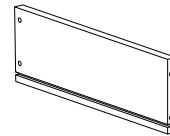
x 1

10



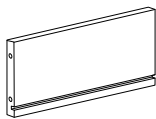
x 1

11



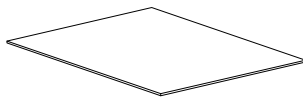
x 1

12



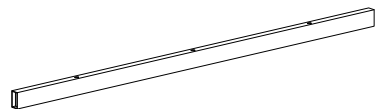
x 1

13



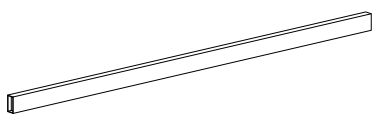
x 1

14



x 1

15



x 1

16



x 1

17



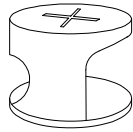
x 1

A



x 14

B



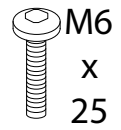
x 14

C



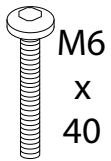
x 10

D



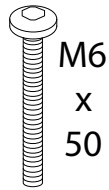
x 5

E



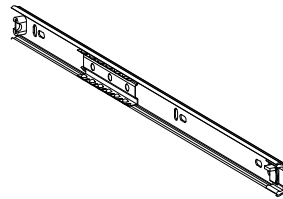
x 8

F



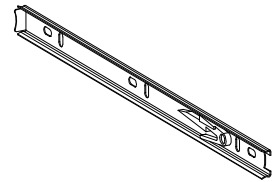
x 9

G



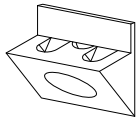
x 2

H



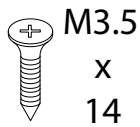
x 2

I



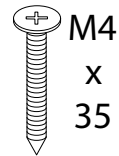
x 4

J



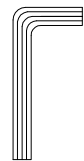
x 24

K



x 4

L



x 1

M



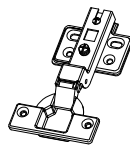
x 4

N



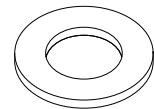
x 4

O



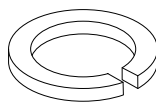
x 2

P



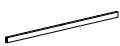
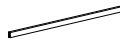


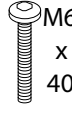
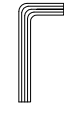
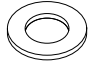
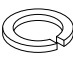
x 8

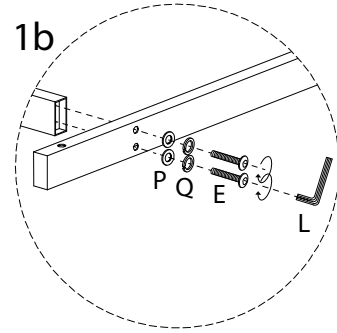
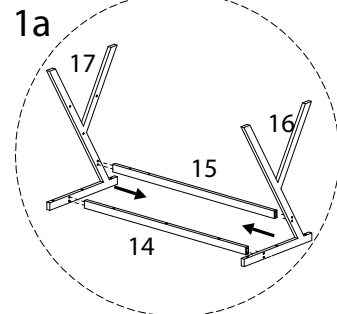
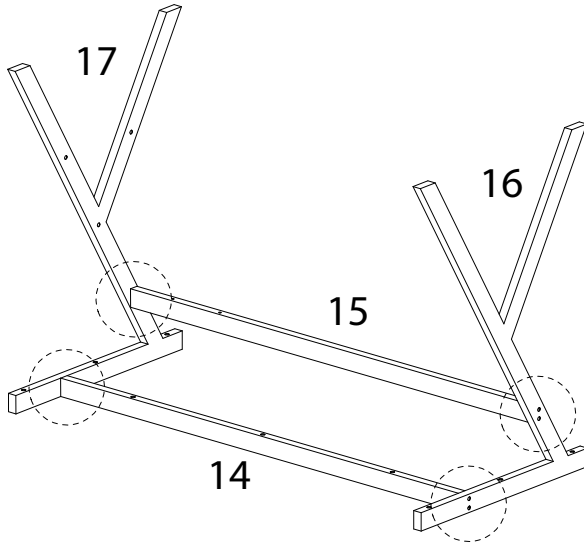
Q




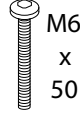
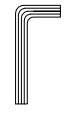
x 8

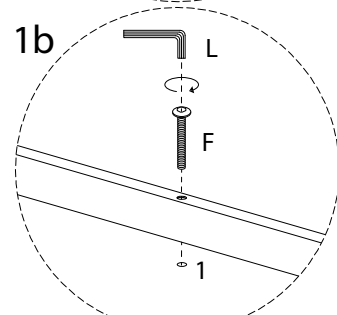
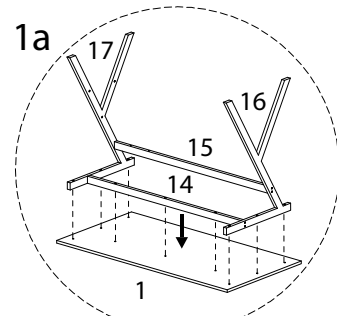
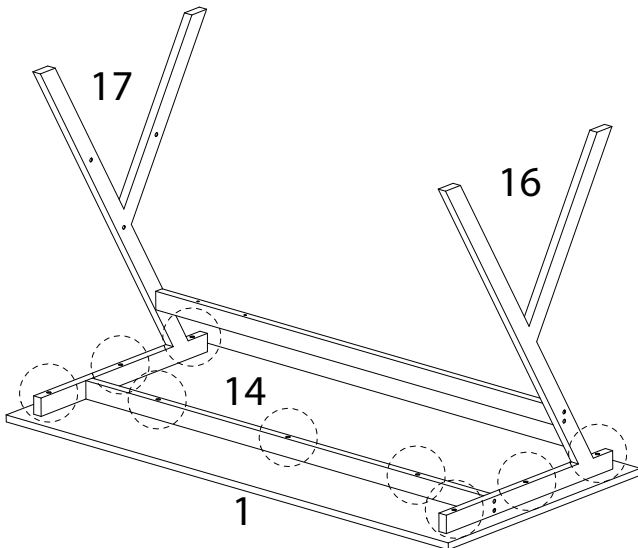
1

14	15	16	17	E	L	P	Q
							
x 1	x 1	x 1	x 1	x 8	x 1	x 8	x 8



2

1	F	L
		
x 1	x 9	x 1

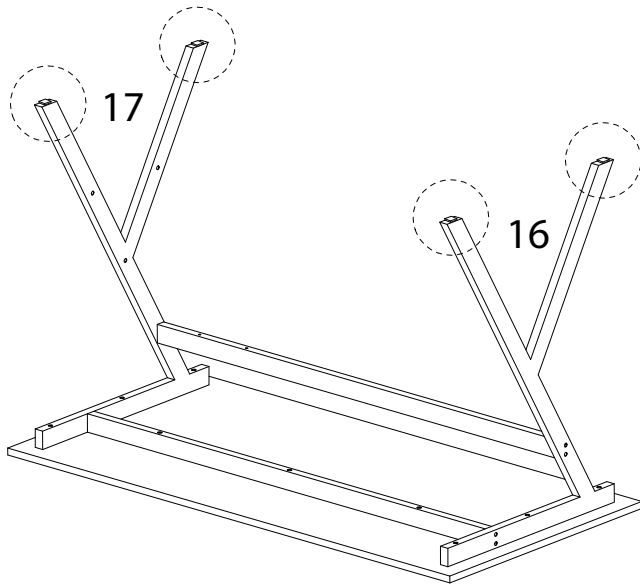


3

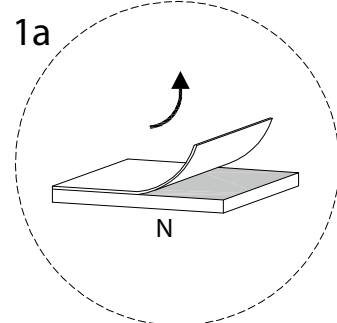
N



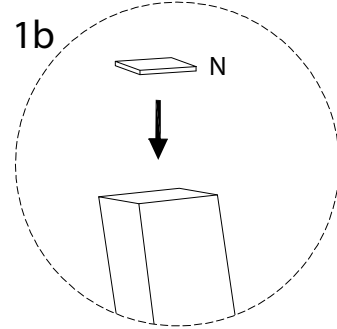
x 4



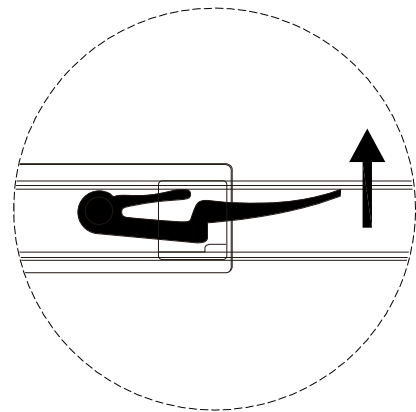
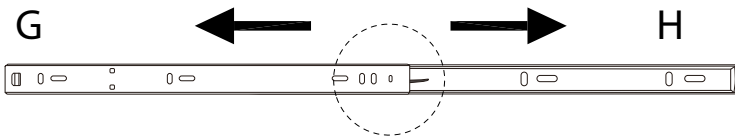
1a



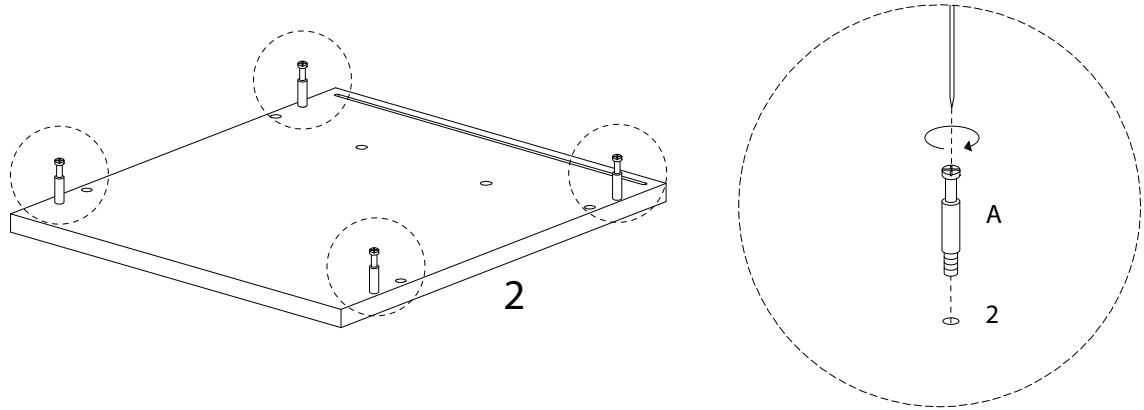
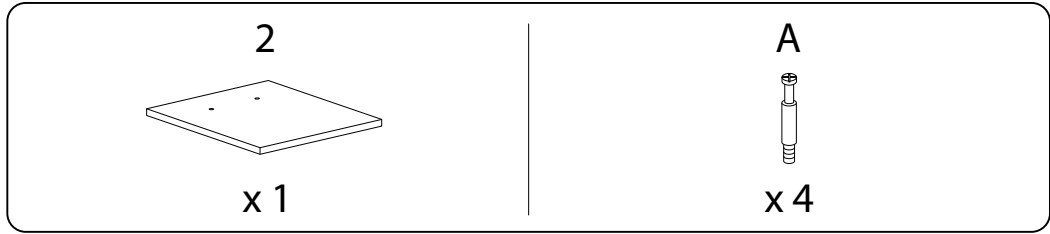
1b



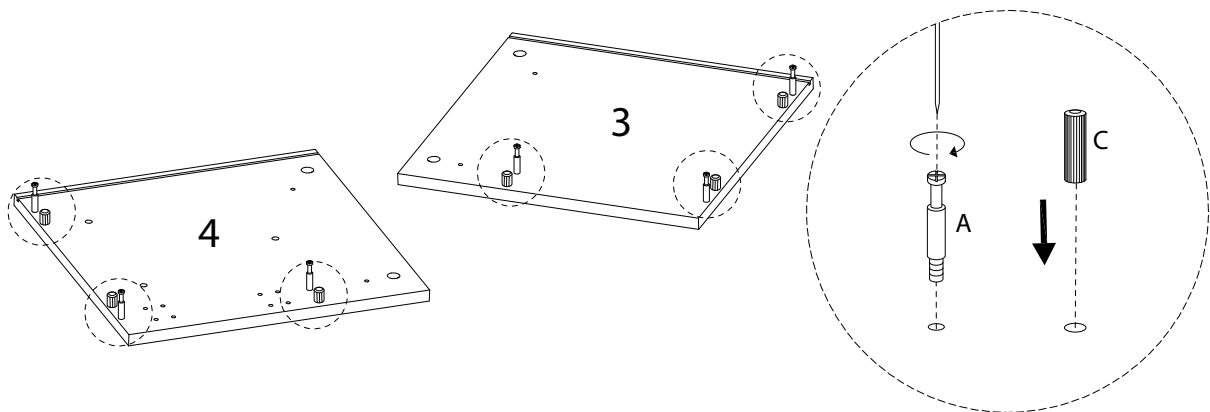
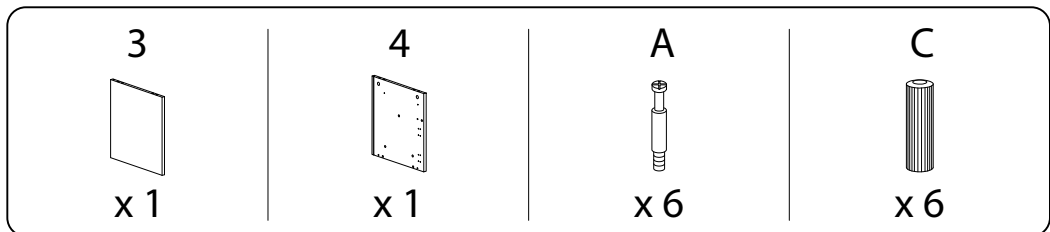
!



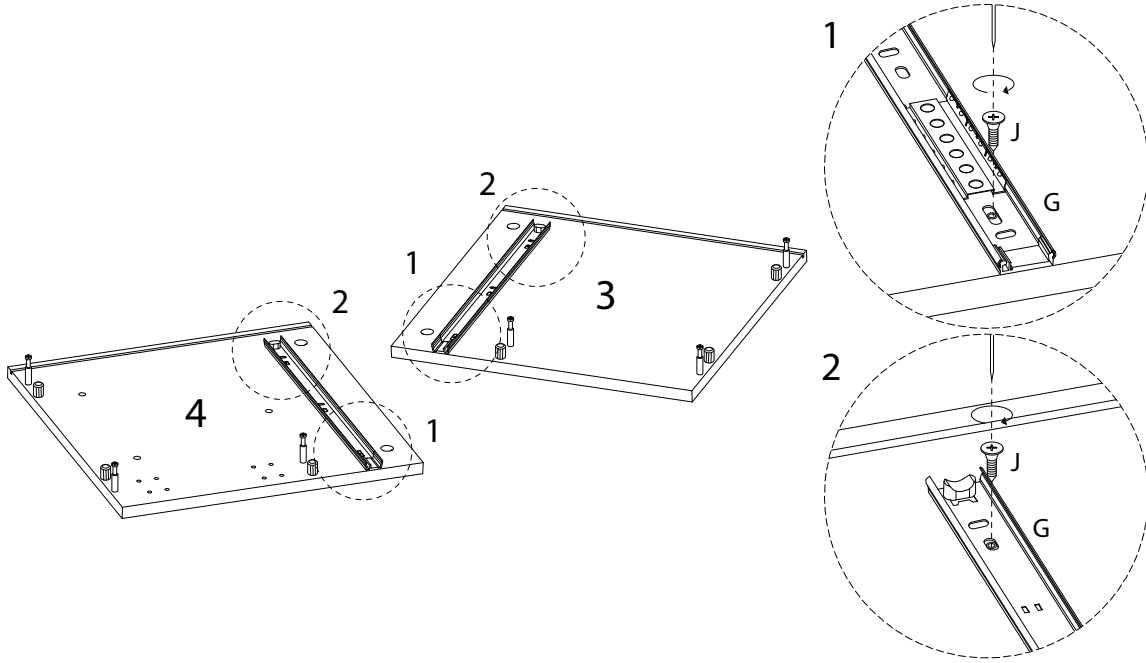
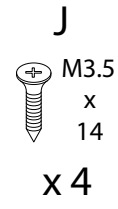
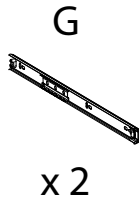
4



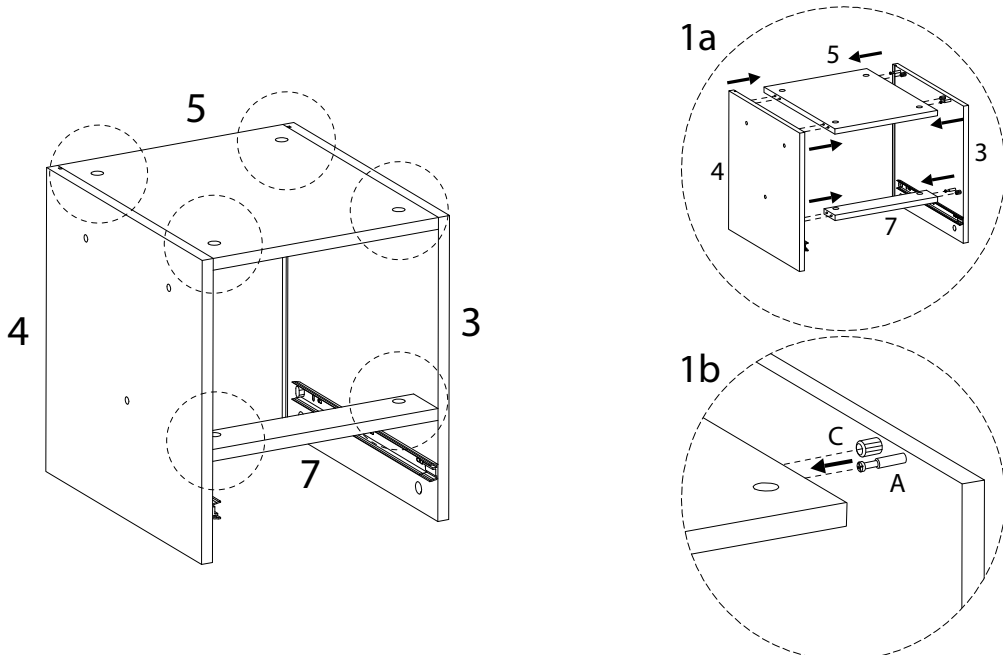
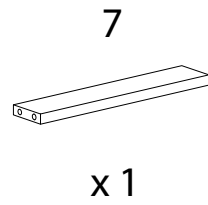
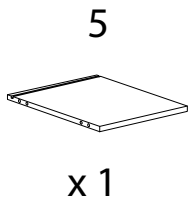
5



6



7

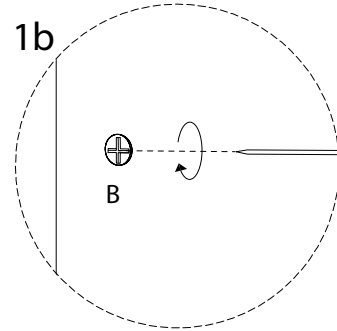
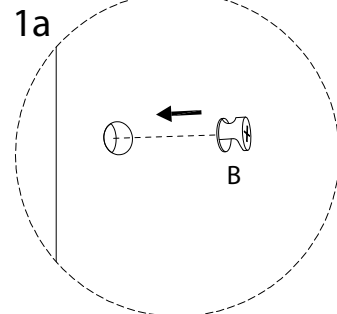
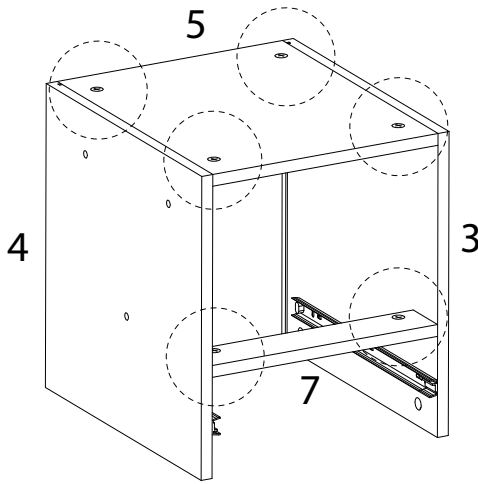


8

B



x 6

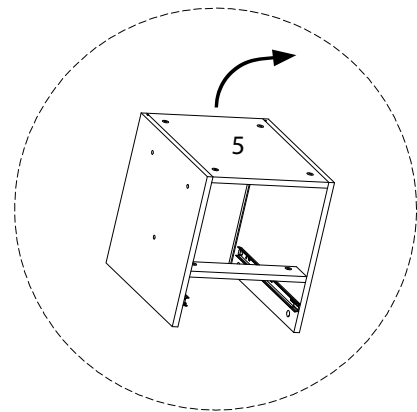
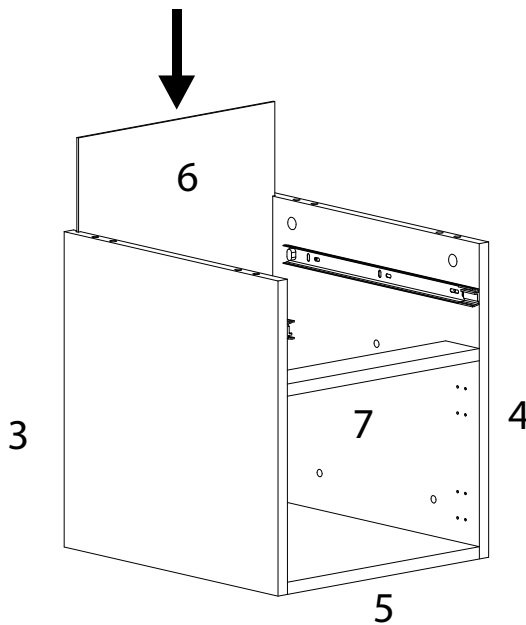


9

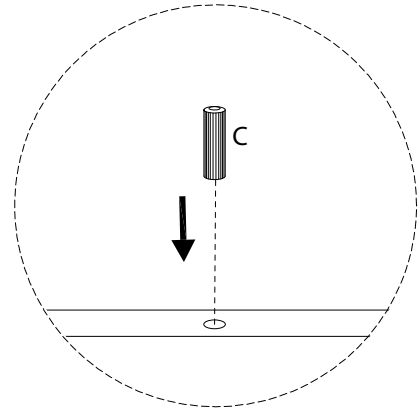
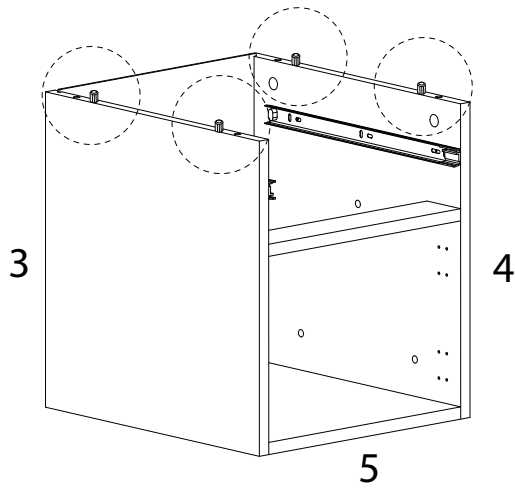
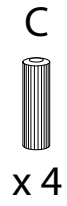
6



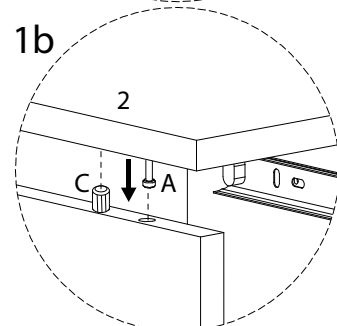
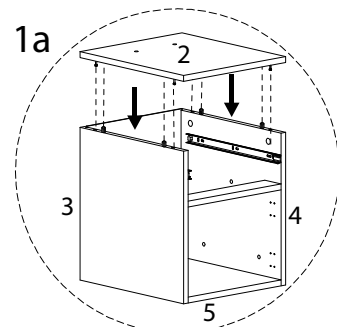
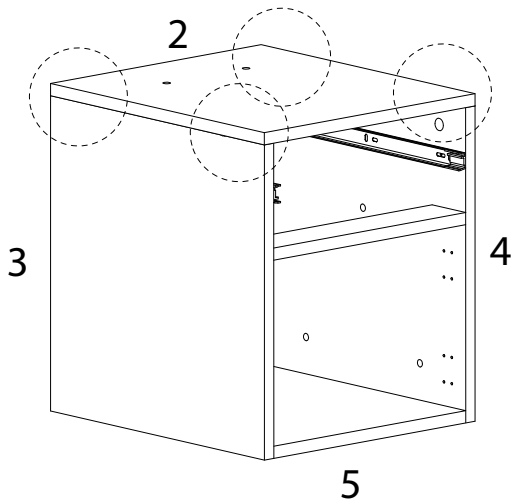
x 1



10



11

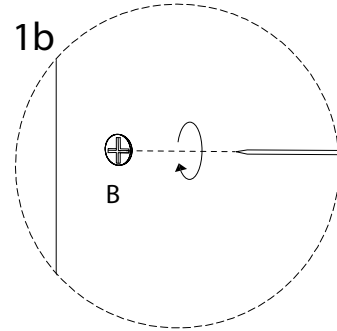
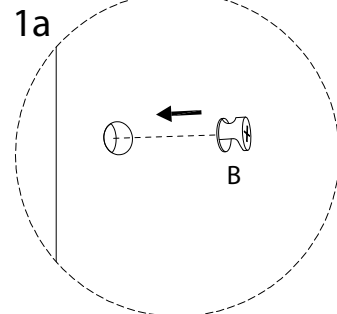
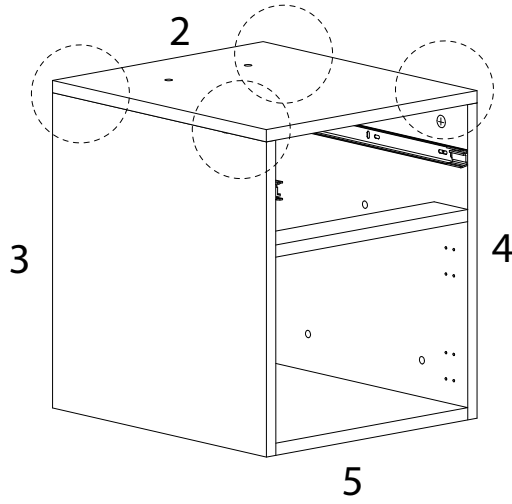


12

B



x 4



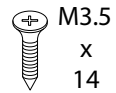
13

I



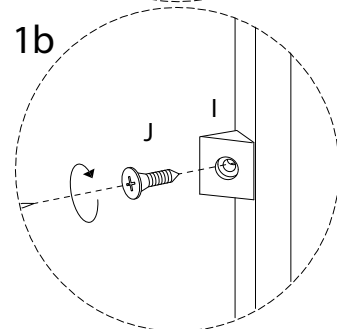
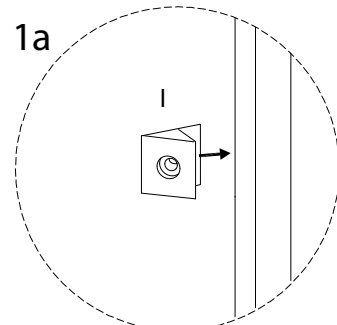
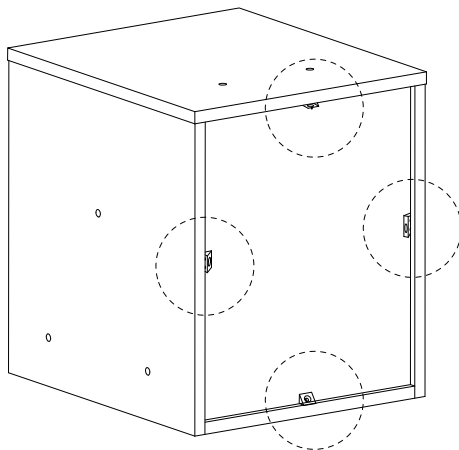
x 4

J



M3.5
x
14

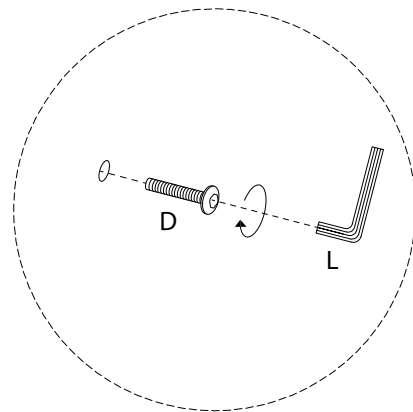
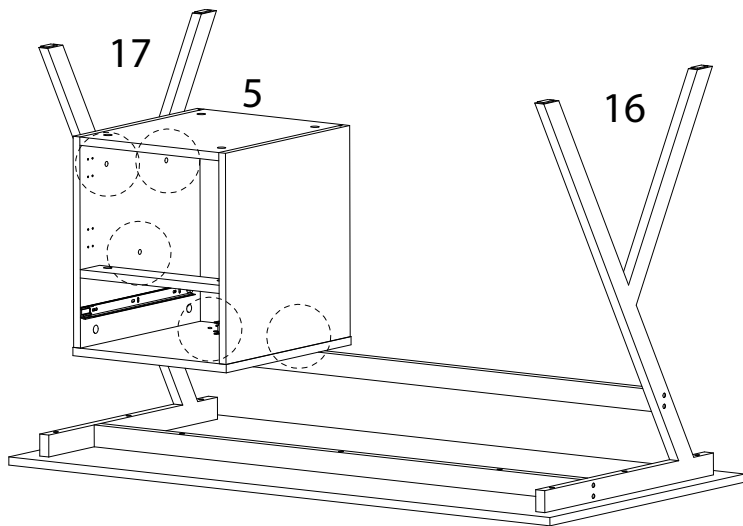
x 4



14

D
M6
x
25
x 5

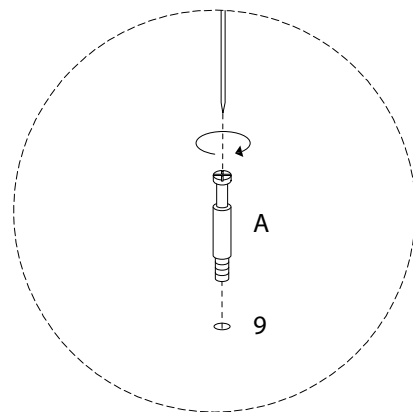
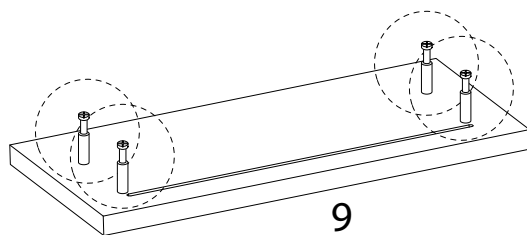
L
x 1



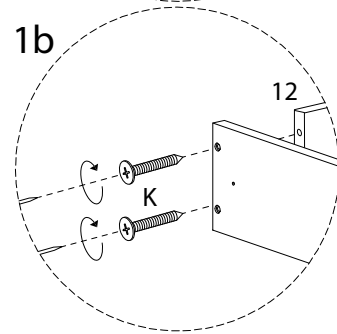
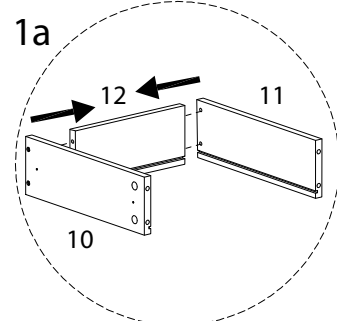
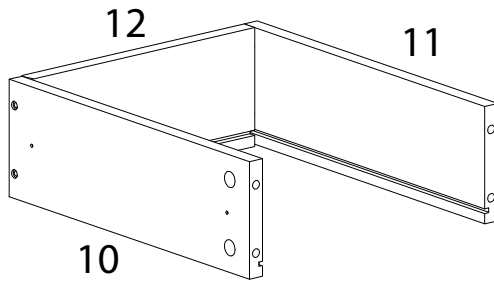
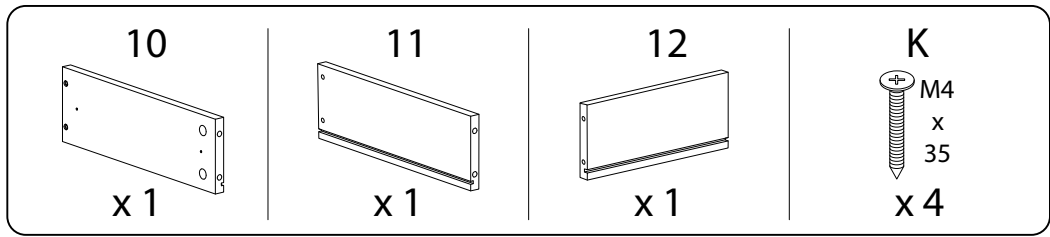
15

9
x 1

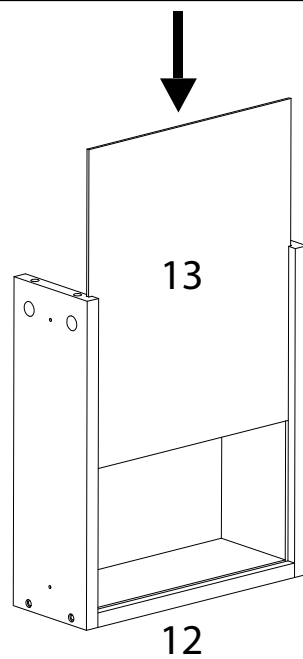
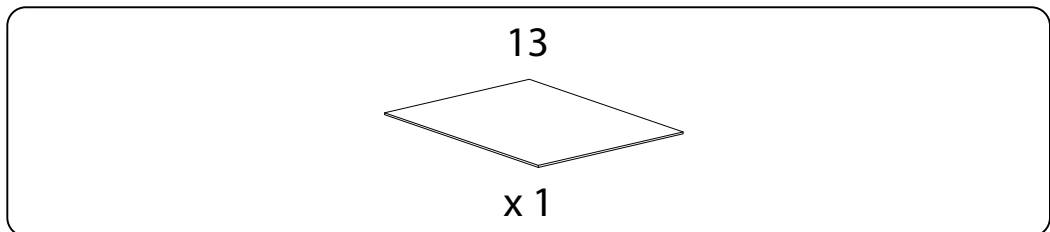
A
x 4



16



17

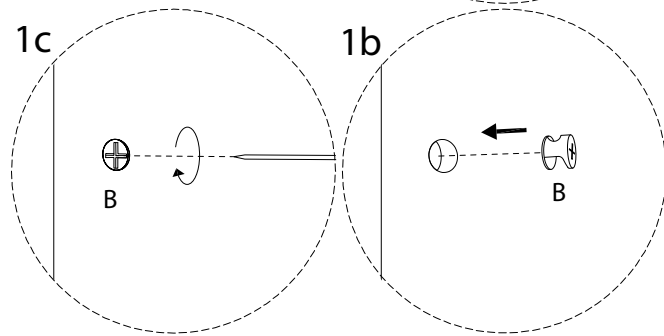
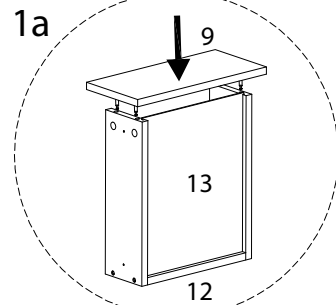
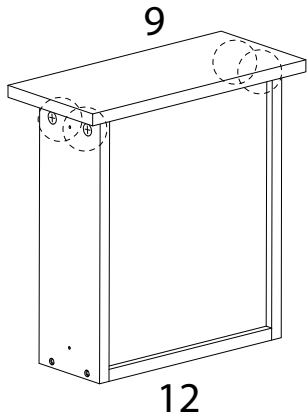


18

B



x 4

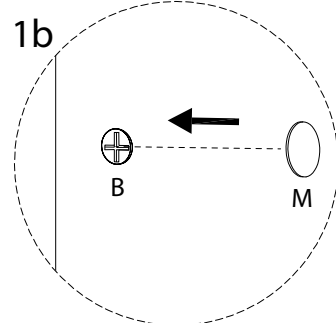
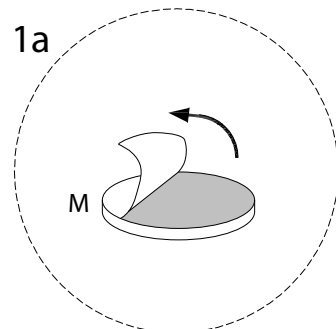
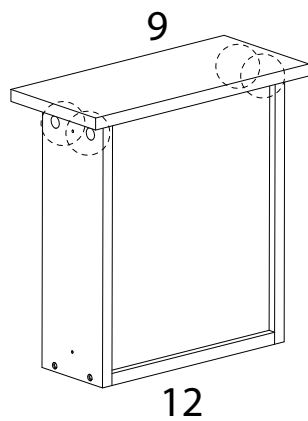


19

M

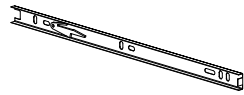


x 4



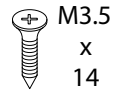
20

H



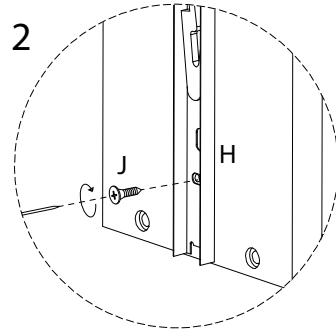
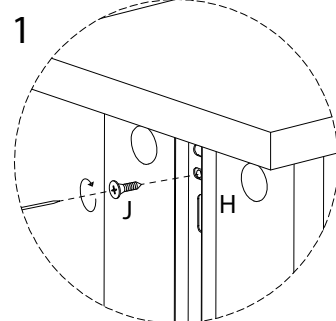
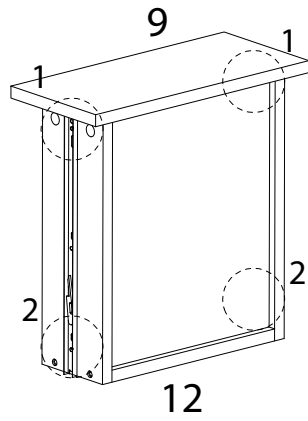
x 2

J

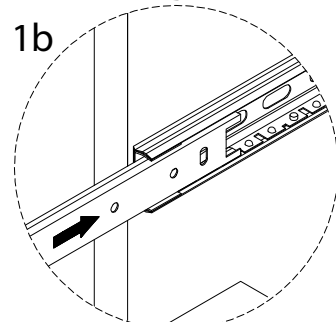
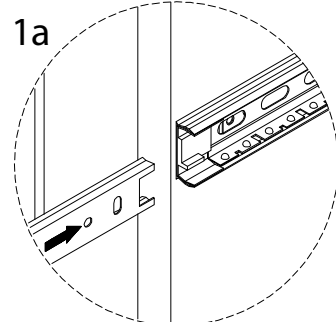
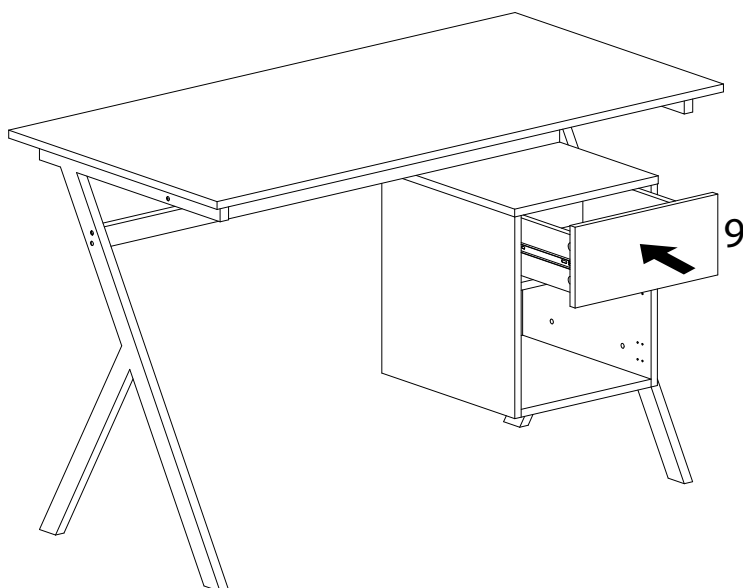


M3.5
x
14

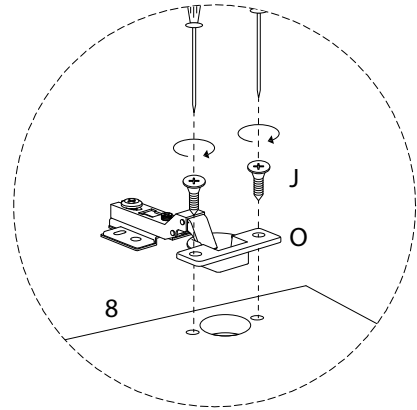
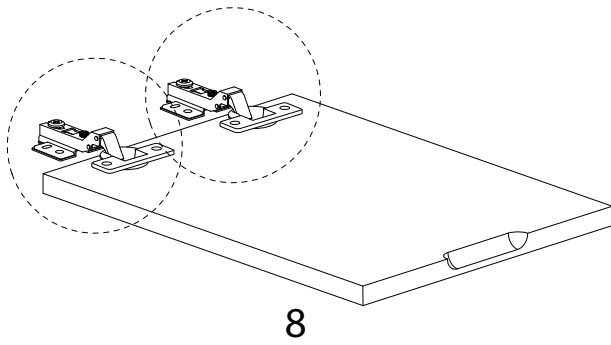
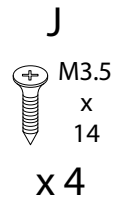
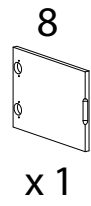
x 4



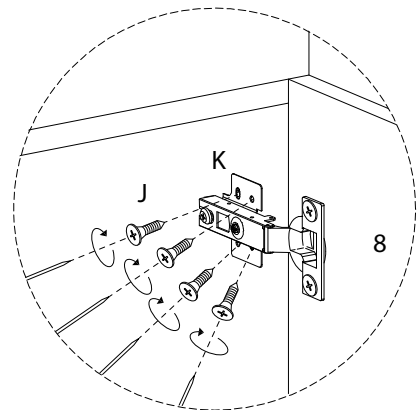
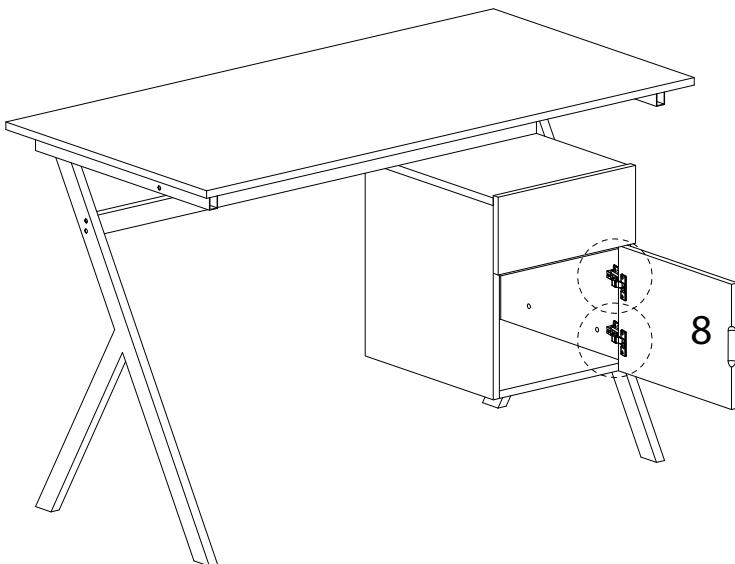
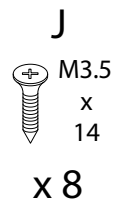
21



22



23



!

