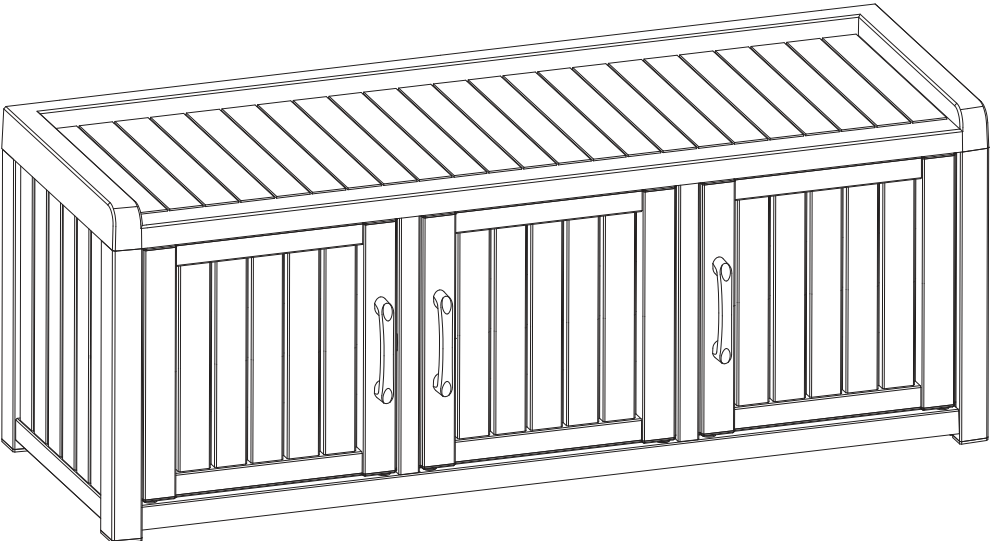


# ASSEMBLE INSTRUCTIONS



# IMPORTANT

Once installed, the product cannot be detached. Strictly follow each step in the installation manual.

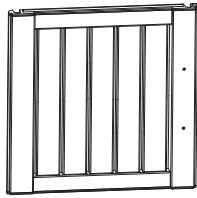
- Gather and organize all required parts prior to assembly. If you have any problems or discover any missing parts, please contact customer service.
- Some parts may contain sharp edges. Wear protective gloves if necessary during assembly.

---

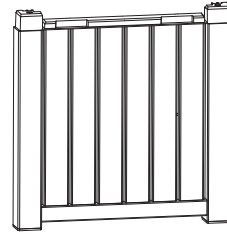
## CARE & SAFETY

- Assemble on a flat, clean and soft surface.
- In case of fire, do not attempt to extinguish any burning polypropylene with water.
- Wear safety-goggles and always follow the manufacturer's instructions when using power tools.
- During installation, please refer to the accessories guide to ensure that they are installed in the correct directions.
- Do not stand on the lid.

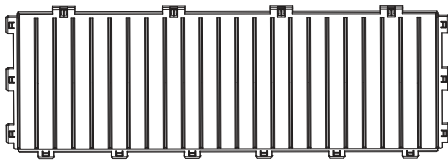
# PARTS LIST



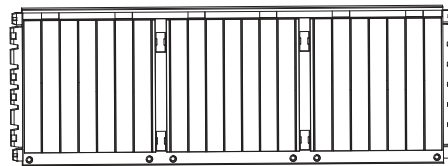
**A(X3)**



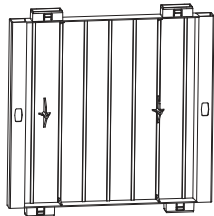
**B(X2)**



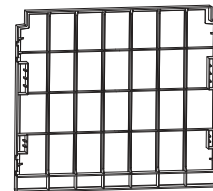
**C(X1)**



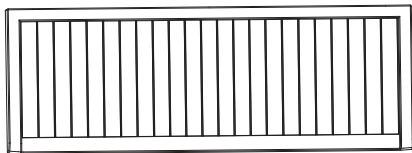
**D(X1)**



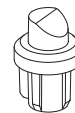
**E(X2)**



**F(X2)**



**J(X1)**





**(X6)**

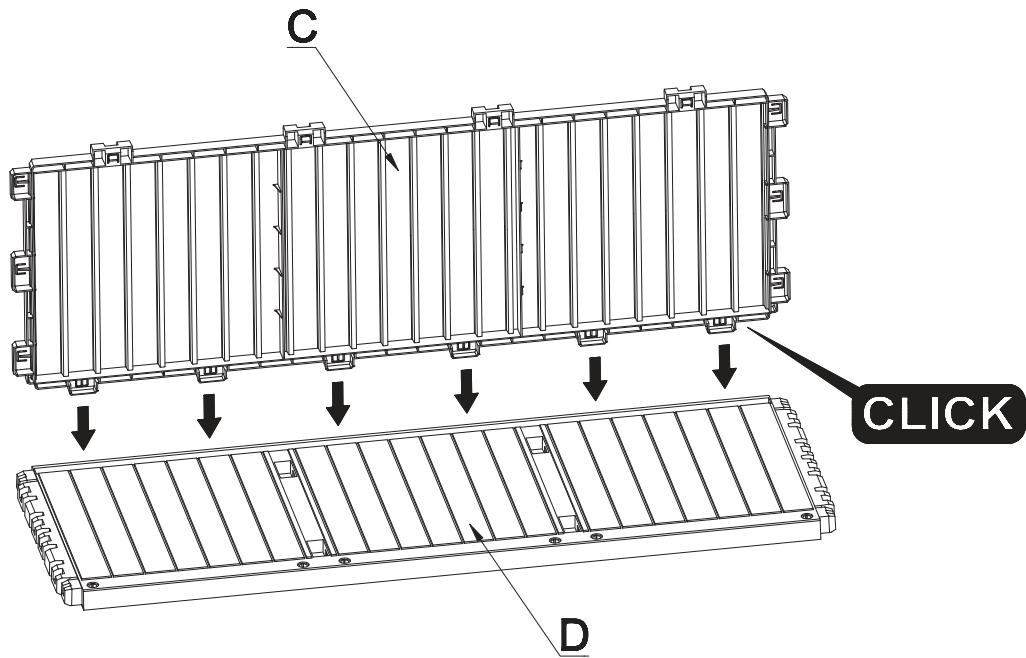


**(X3)**

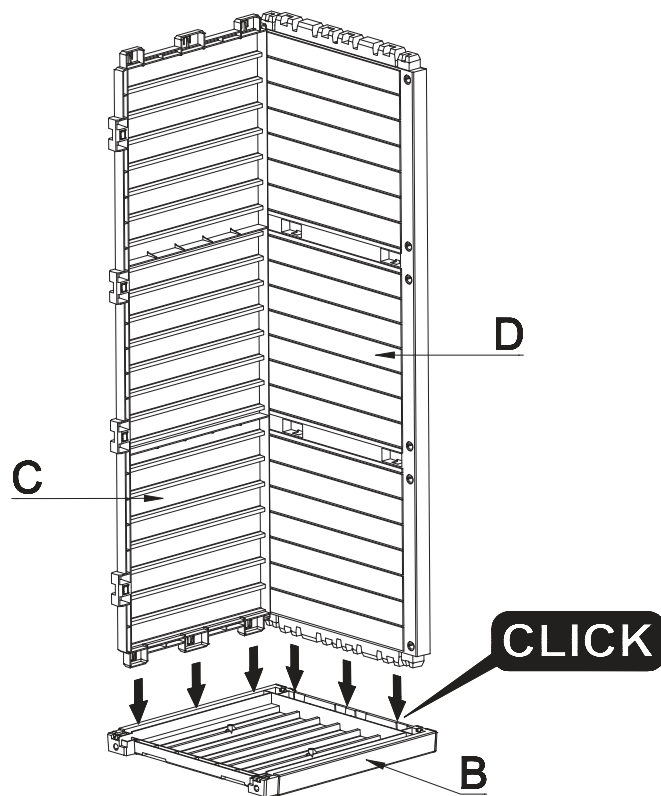


**M4x19mm  
(X6)**

1  C(X1)  D(X1)

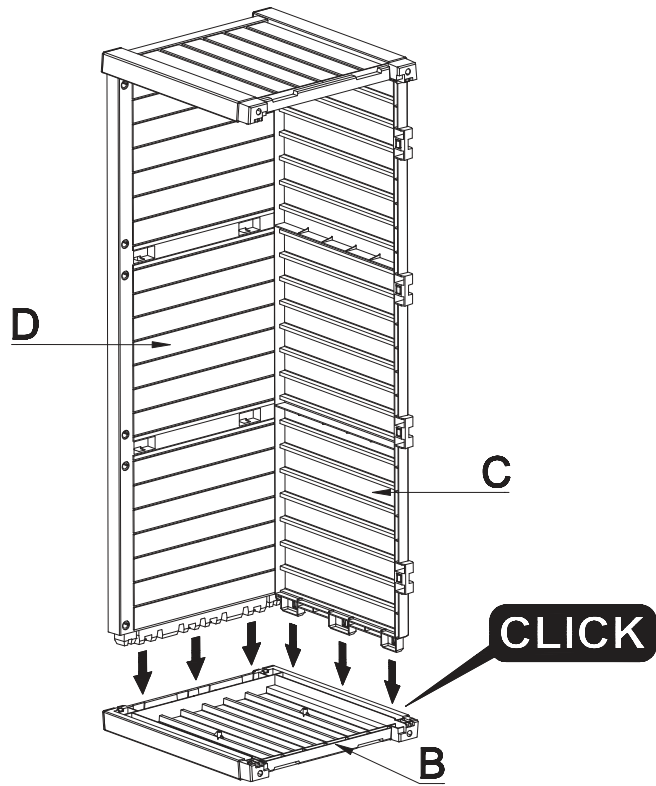


2  B(X1)

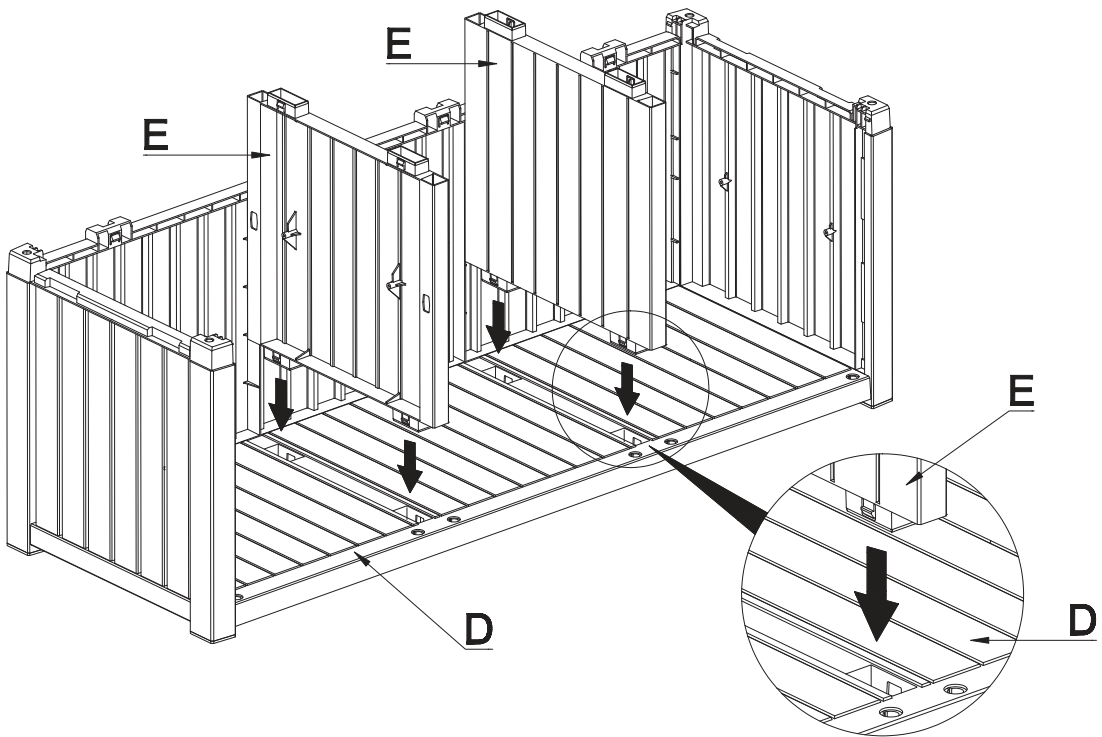


3

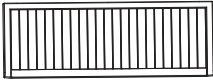
3  B(X1)



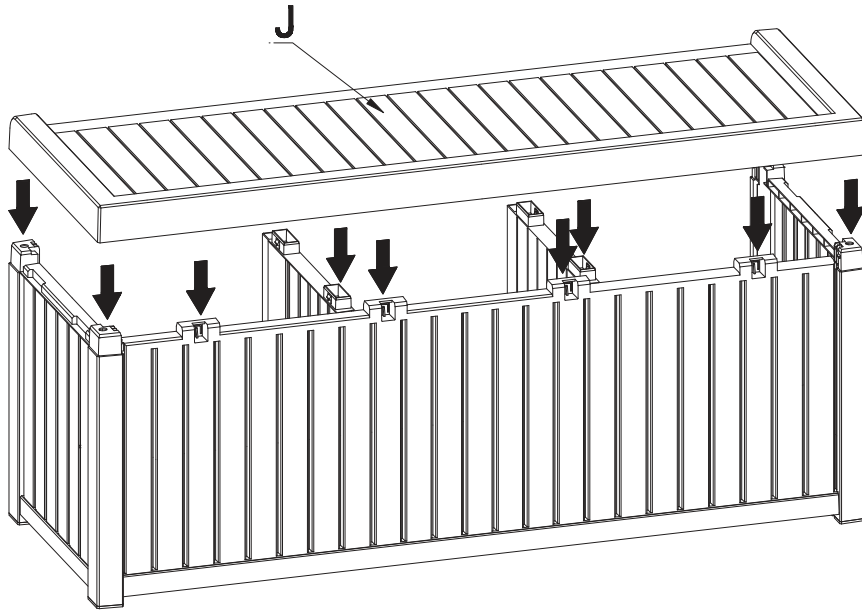
4  E(X2)



5



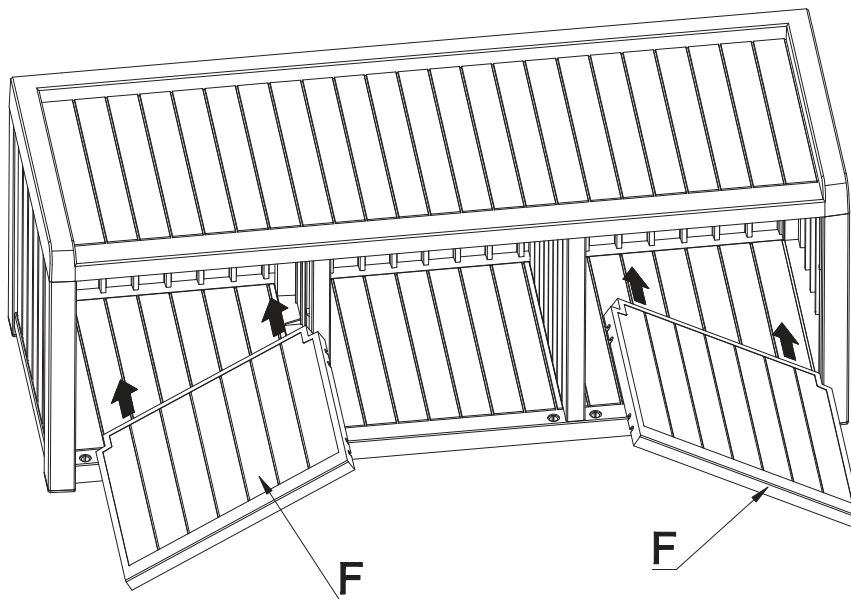
J(X1)



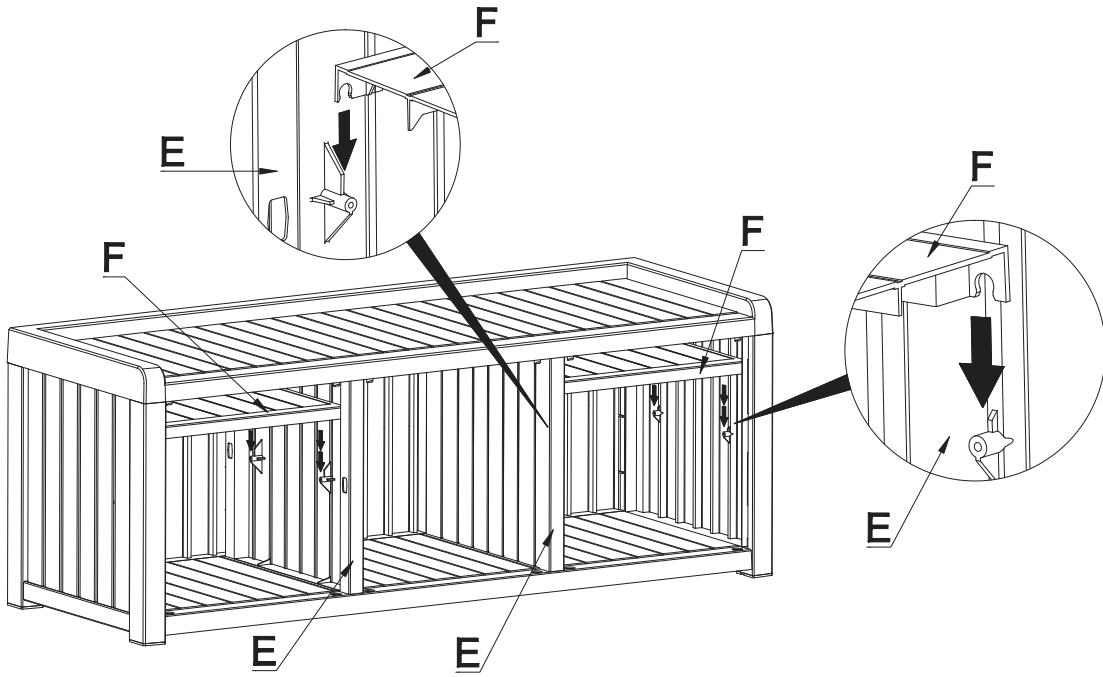
6



F(X2)



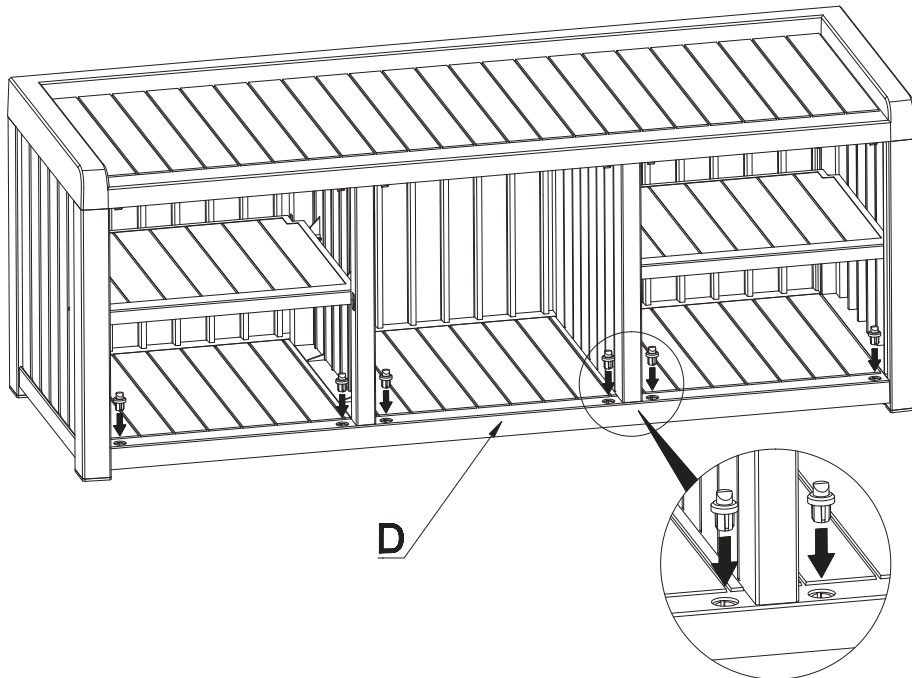
7



8



(X6)



6

9



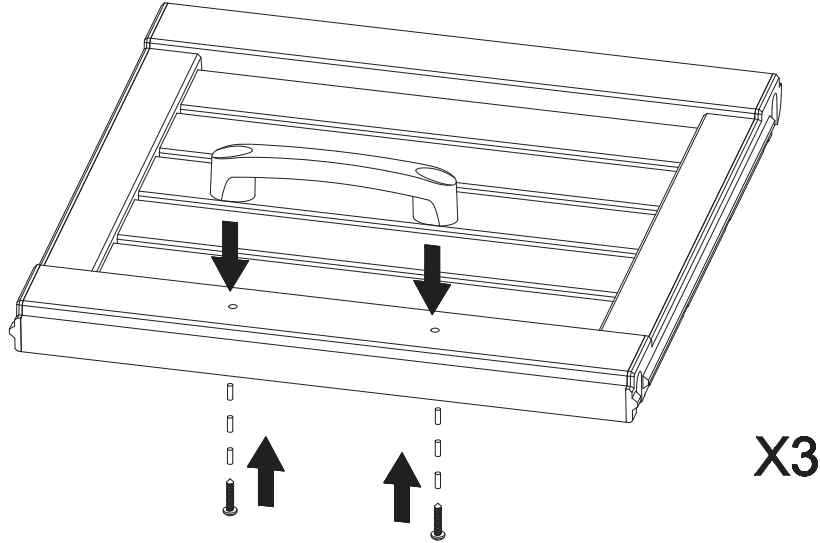
A(X3)



(X3)



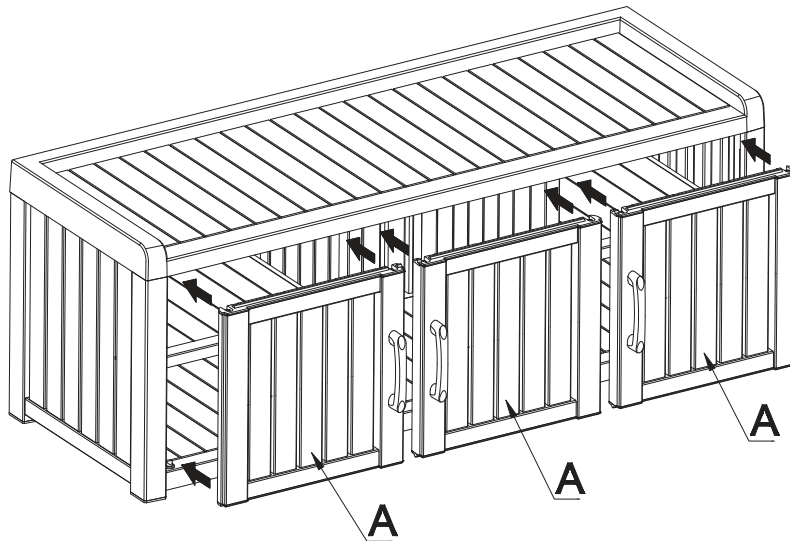
M4x19mm  
(X6)



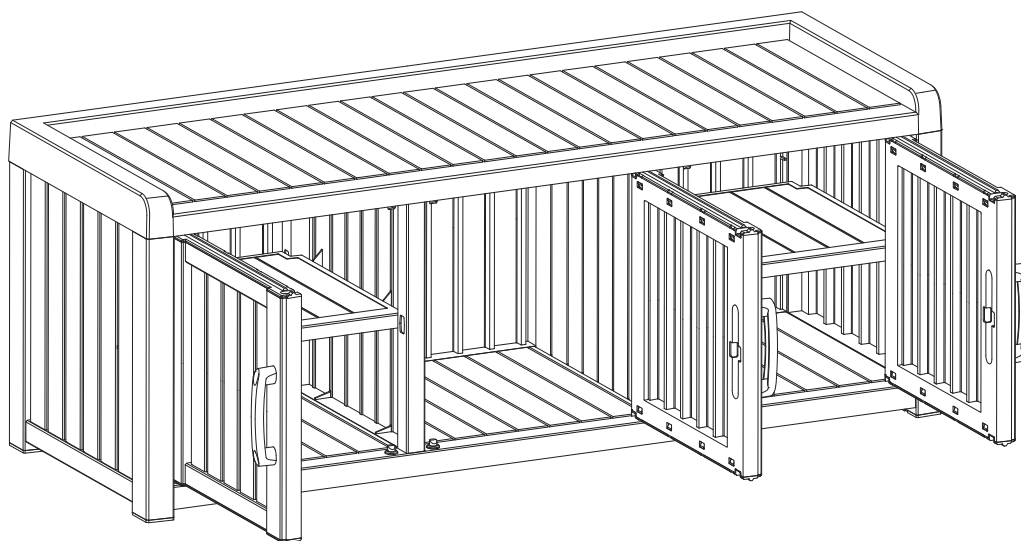
10



A(X3)



11



---

12

