

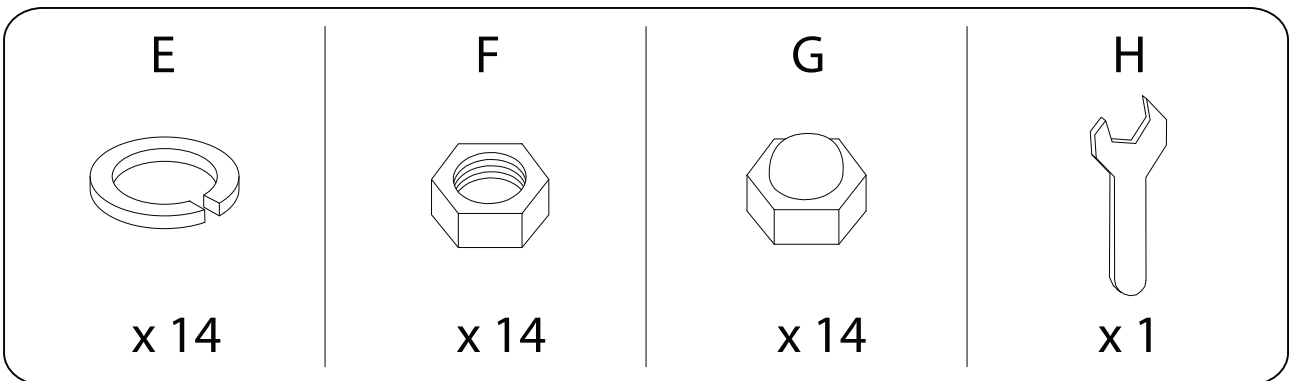
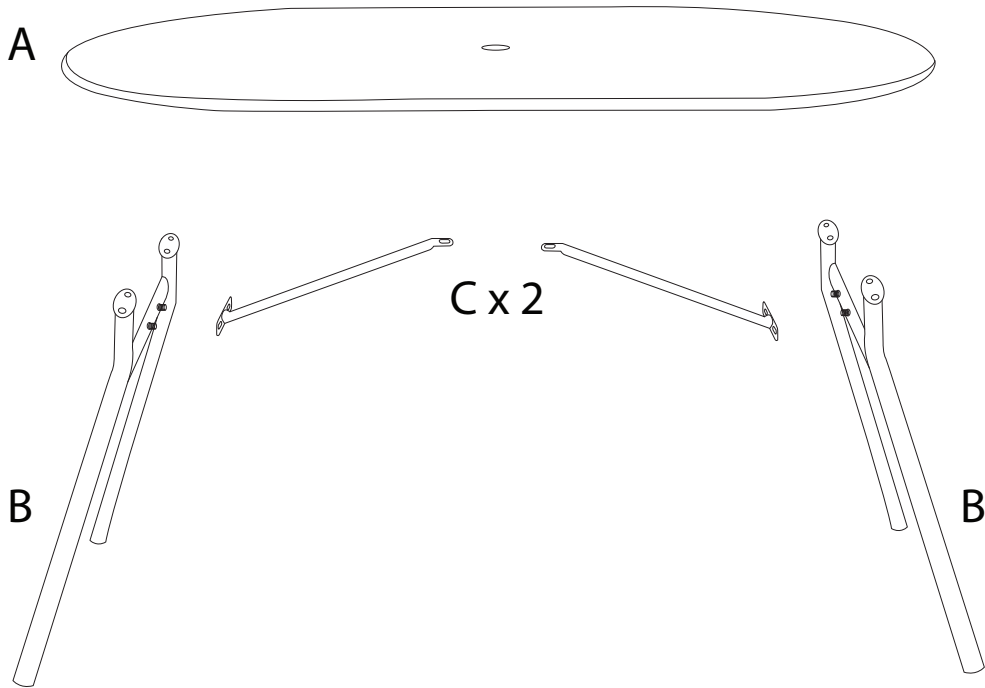
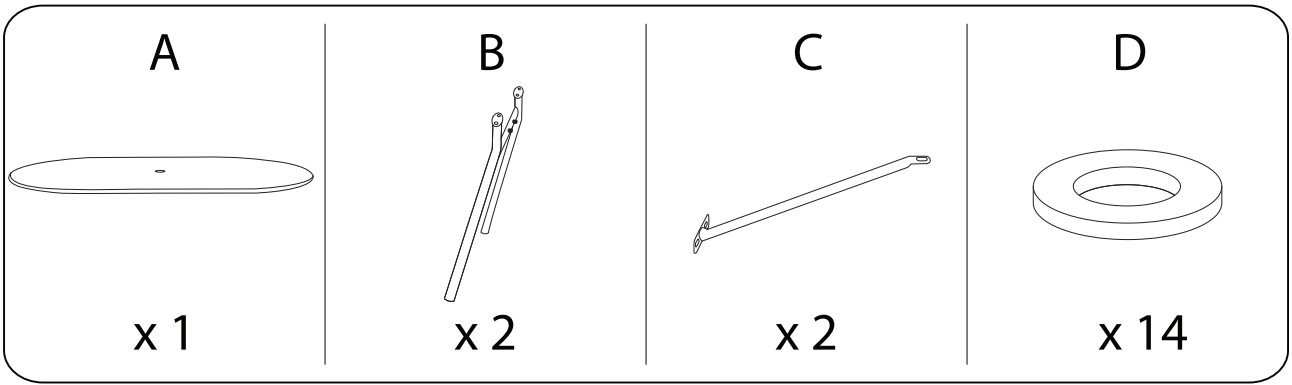
Assembly instructions for the table, including tool requirements, safety warnings, and personnel needs.

Tools: A wrench is required (shown in a circle). A power drill is not required (shown with a diagonal line through it).





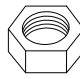
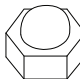

Warnings: Two warning triangles with exclamation marks are present. The first is connected to the power drill icon, and the second is connected to the illustration of the table legs being placed on a soft surface.

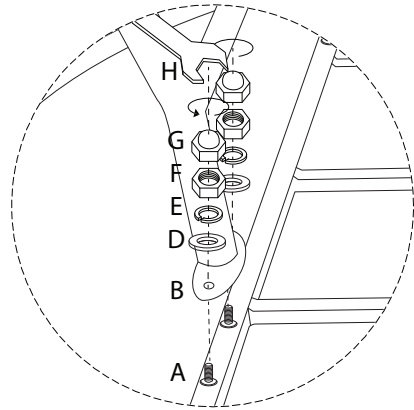
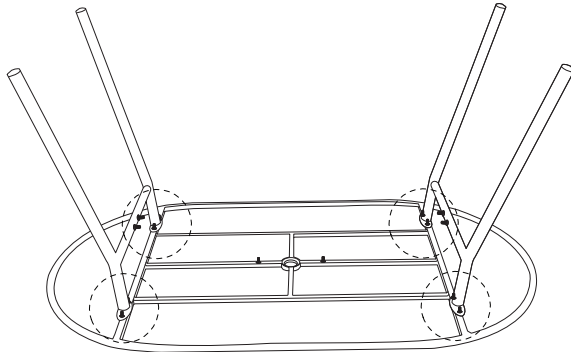
Time: Estimated assembly time is 30 minutes, indicated by a clock icon.

Personnel: Two people are required for assembly, indicated by a person icon and the number 2.




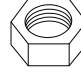
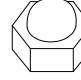



1

A  x1	B  x2	D  x8	E  x8	F  x8	G  x8	H  x1
---	---	---	---	--	---	---



2

C  x2	D  x6	E  x6	F  x6	G  x6	H  x1
---	---	---	--	---	---

