

ASSEMBLY INSTRUCTIONS



Fine Furniture for every stage of life

Dining Table

ASSEMBLY INSTRUCTIONS

ASSEMBLY TIPS:

1. Remove hardware from box and sort by size.
2. Please check to see that all hardware and parts are present prior to start of assembly.
3. Please follow attached instruction in the same sequence as numbered to assure fast and easy assembly.



WARNING !

1. Don't attempt to repair or modify parts that are broken or defective. Please contact the store immediately.
2. This product is for home use only and not intended for commercial establishment.

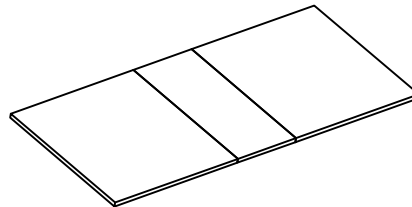


ASSEMBLY TIME

20 MINUTES

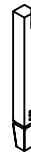
PARTS IDENTIFICATION

A TOP WITH LEAF



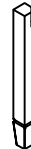
1PC

B LEFT LEG



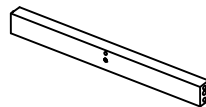
2PCS

C RIGHT LEG



2PCS

D CROSSBAR



2PCS

E LEG SUPPORT



2PCS

ASSEMBLY INSTRUCTIONS

ASSEMBLY TIPS:

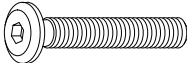
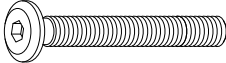
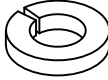
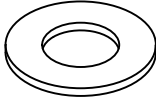
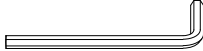
1. Remove hardware from box and sort by size.
2. Please check to see that all hardware and parts are present prior to start of assembly.
3. Please follow attached instruction in the same sequence as numbered to assure fast and easy assembly.



WARNING !

1. Don't attempt to repair or modify parts that are broken or defective. Please contact the store immediately.
2. This product is for home use only and not intended for commercial establishment.

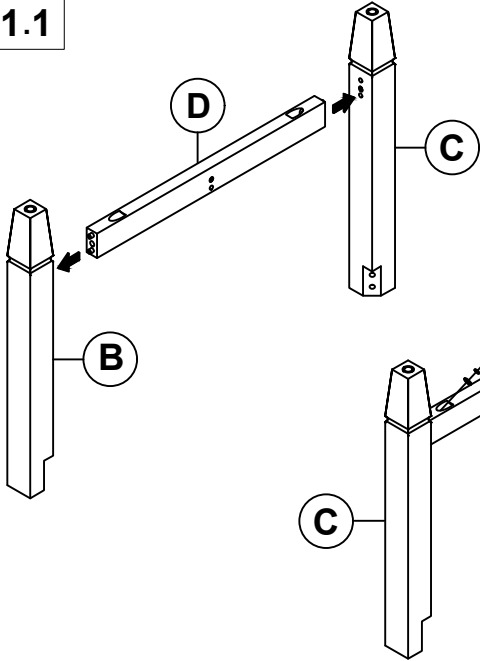
HARDWARE IDENTIFICATION

1	SHORT BOLT (M8 x 50mm - BLK)		4PCS
2	LONG BOLT (M8 x 80mm - BLK)		12PCS
3	LOCK WASHER (M8 x 13mm - BLK)		16PCS
4	FLAT WASHER (M8 x 19mm - BLK)		16PCS
5	ALLEN WRENCH (M5 x 65mm - BLK)		1PC

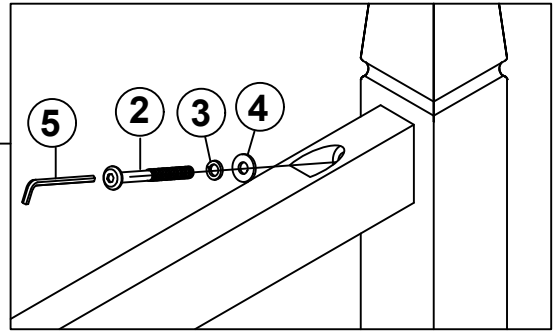
ASSEMBLY INSTRUCTIONS

STEP 1

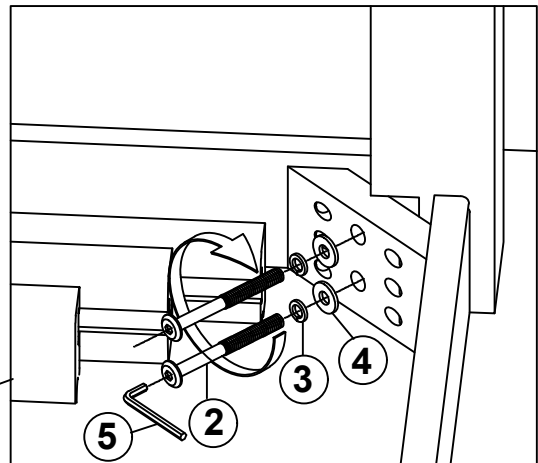
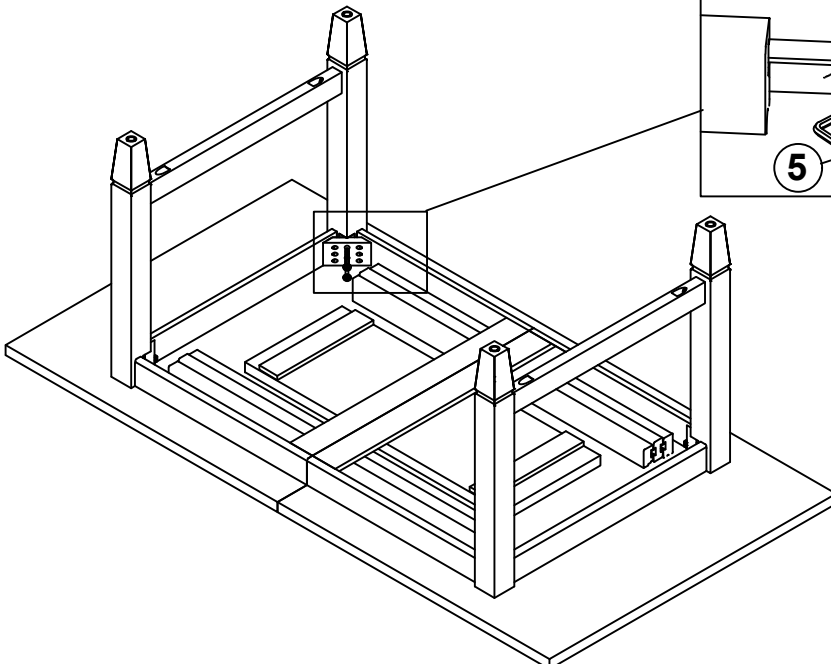
1.1



1.2



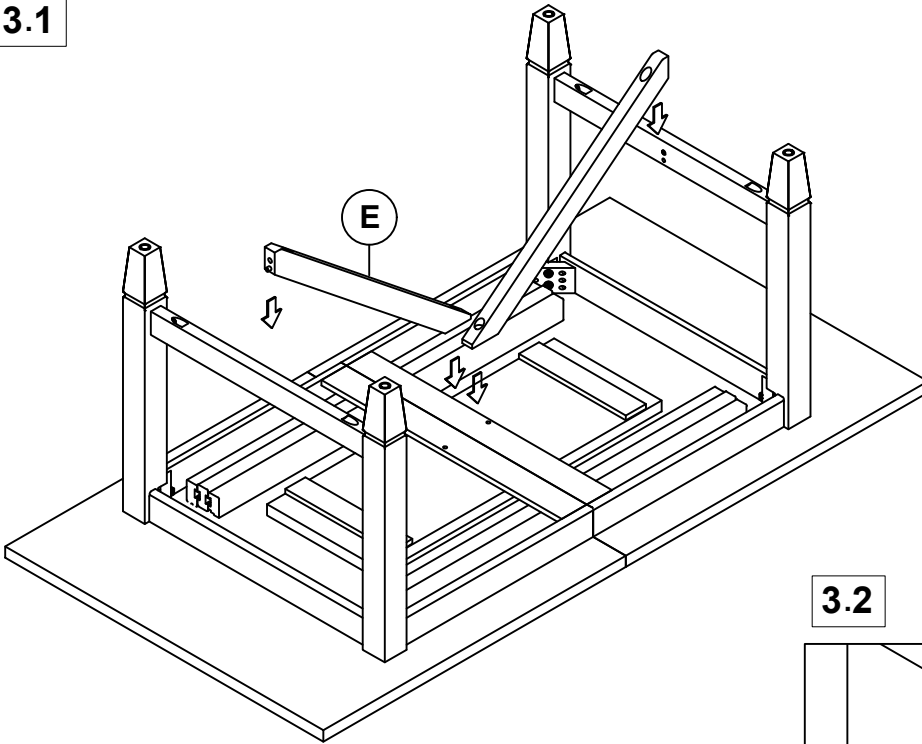
STEP 2



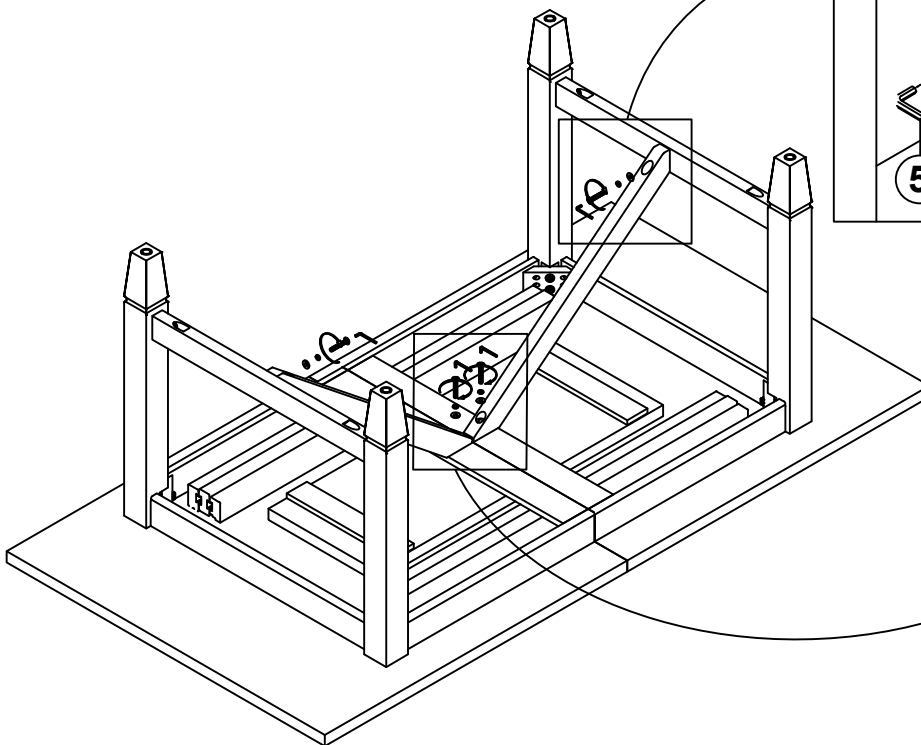
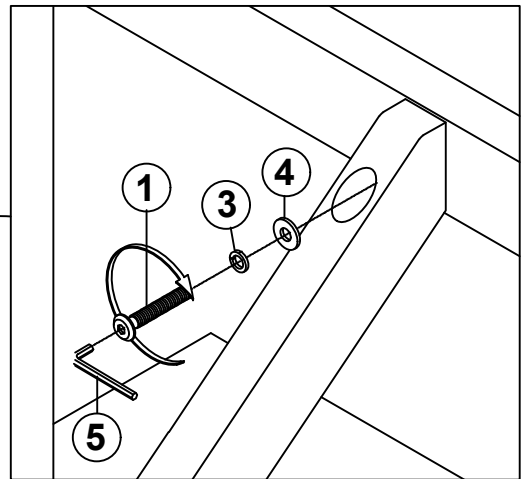
ASSEMBLY INSTRUCTIONS

STEP 3

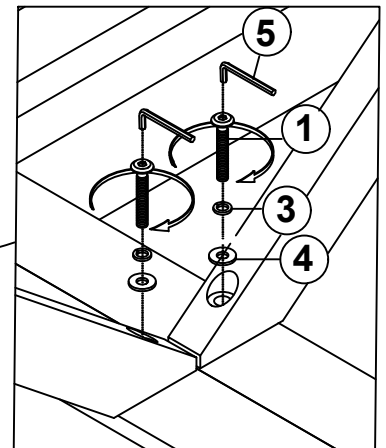
3.1



3.2

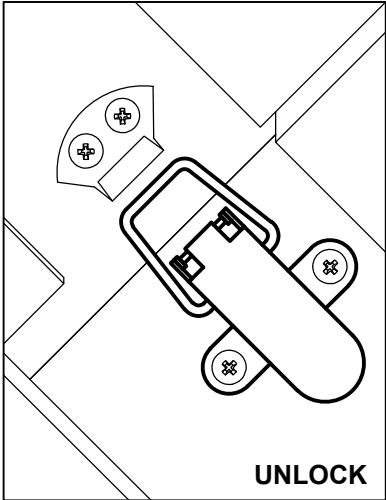
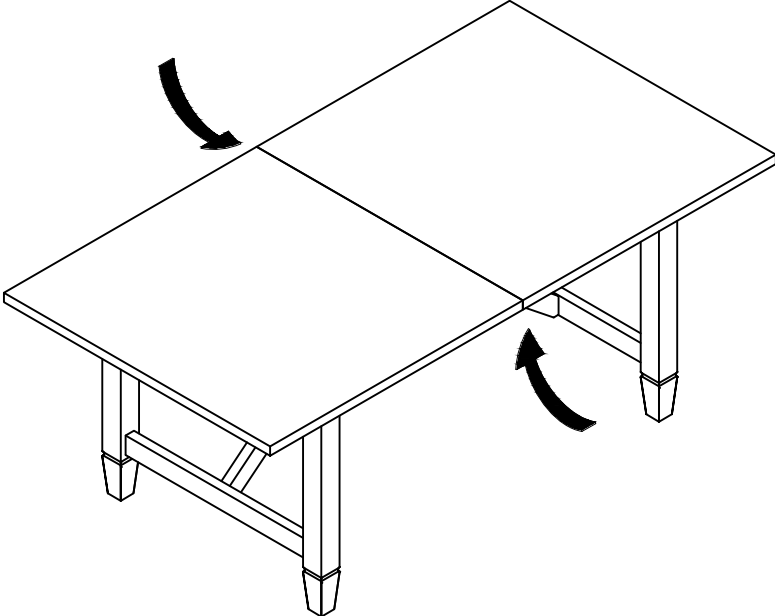


3.3

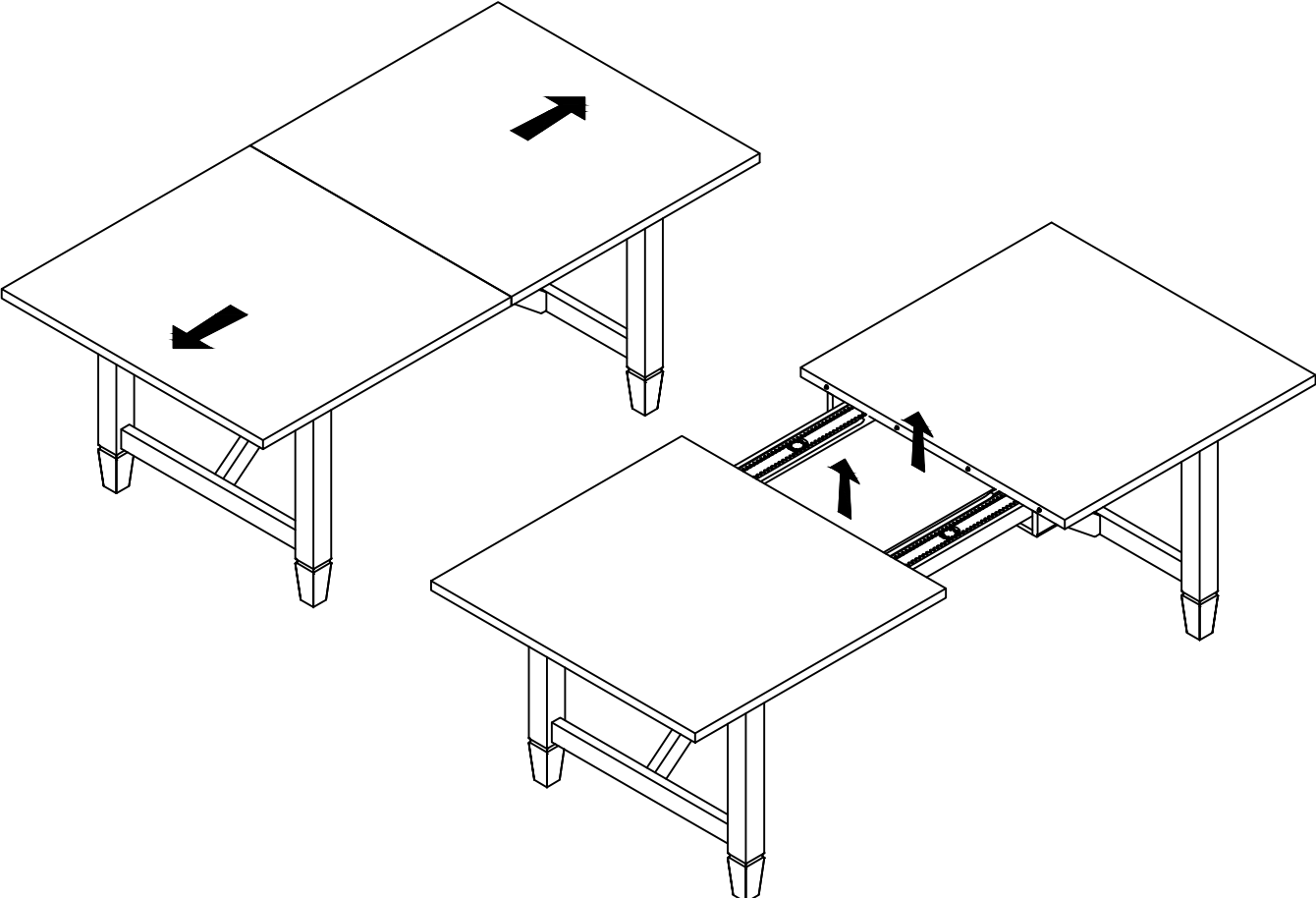


ASSEMBLY INSTRUCTIONS

STEP 4

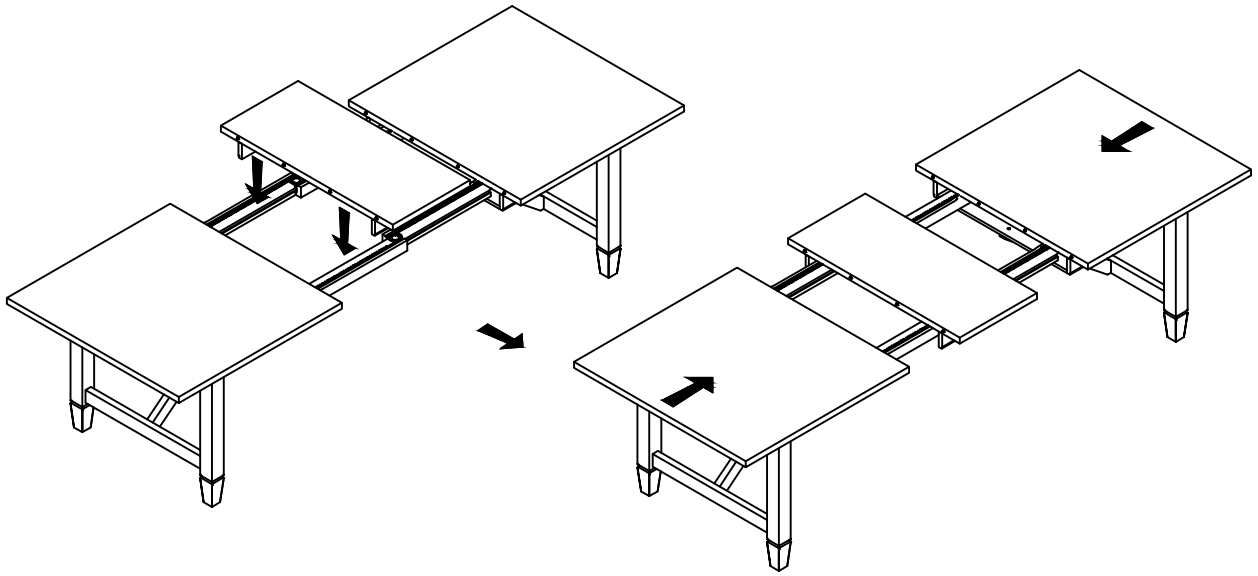


STEP 5

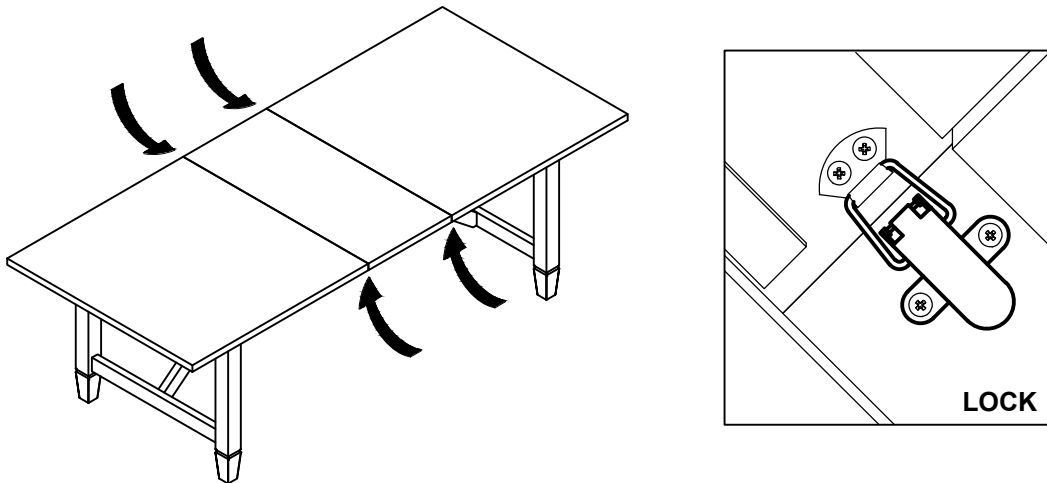


ASSEMBLY INSTRUCTIONS

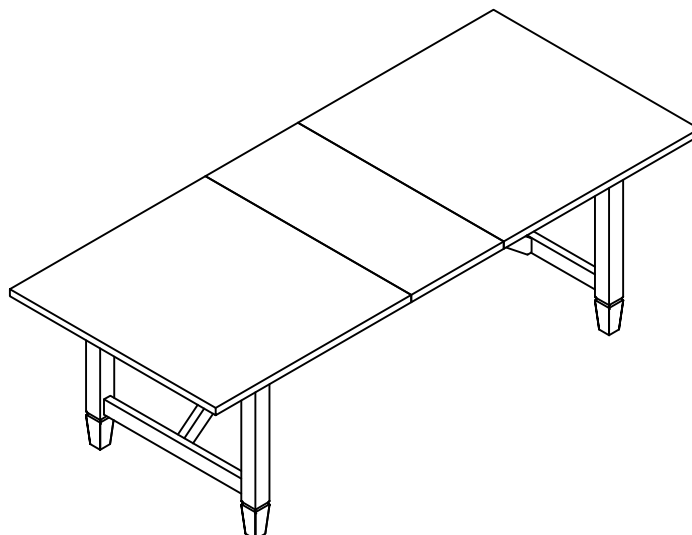
STEP 6

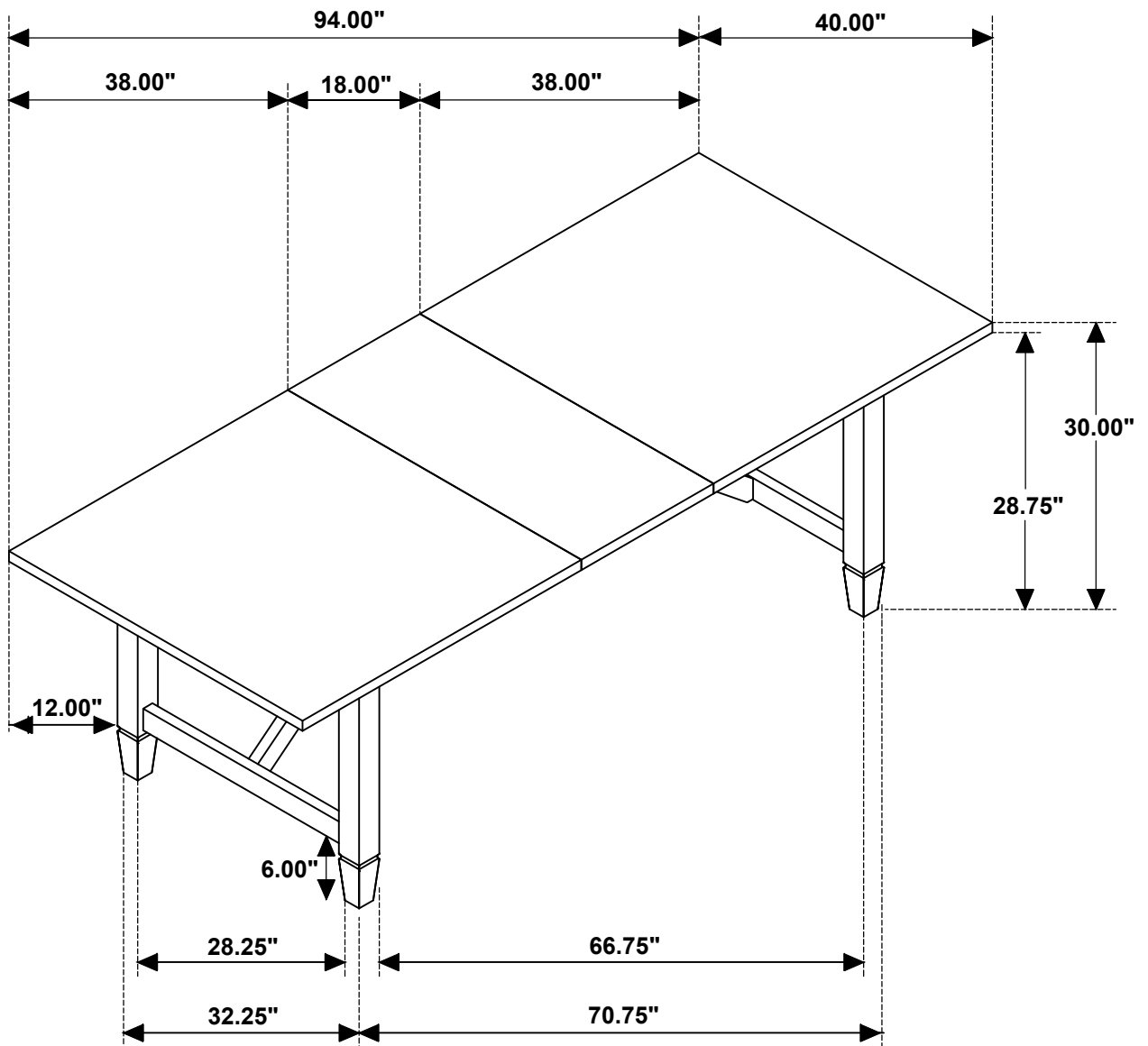


STEP 7



STEP 8 COMPLETE





Note : Dimension tolerance $\pm 5\%$

ASSEMBLY INSTRUCTIONS



Fine Furniture for every stage of life

Side Chair

ASSEMBLY INSTRUCTIONS

ASSEMBLY TIPS:

1. Remove hardware from box and sort by size.
2. Please check to see that all hardware and parts are present prior to start of assembly.
3. Please follow attached instruction in the same sequence as numbered to assure fast and easy assembly.



WARNING !

1. Don't attempt to repair or modify parts that are broken or defective. Please contact the store immediately.
2. This product is for home use only and not intended for commercial establishment.



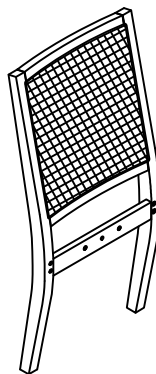
ASSEMBLY TIME

20 MINUTES

PARTS IDENTIFICATION

A

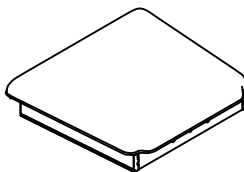
BACK FRAME



1PC

B

SEAT CUSHION
WITH FRAME



1PC

C

FRONT LEG



2PCS

NOTE:

Quantities shown are for one chair.

ASSEMBLY INSTRUCTIONS

ASSEMBLY TIPS:

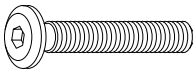
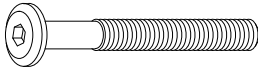
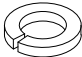
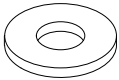

1. Remove hardware from box and sort by size.
2. Please check to see that all hardware and parts are present prior to start of assembly.
3. Please follow attached instruction in the same sequence as numbered to assure fast and easy assembly.



WARNING !

1. Don't attempt to repair or modify parts that are broken or defective. Please contact the store immediately.
2. This product is for home use only and not intended for commercial establishment.

HARDWARE IDENTIFICATION

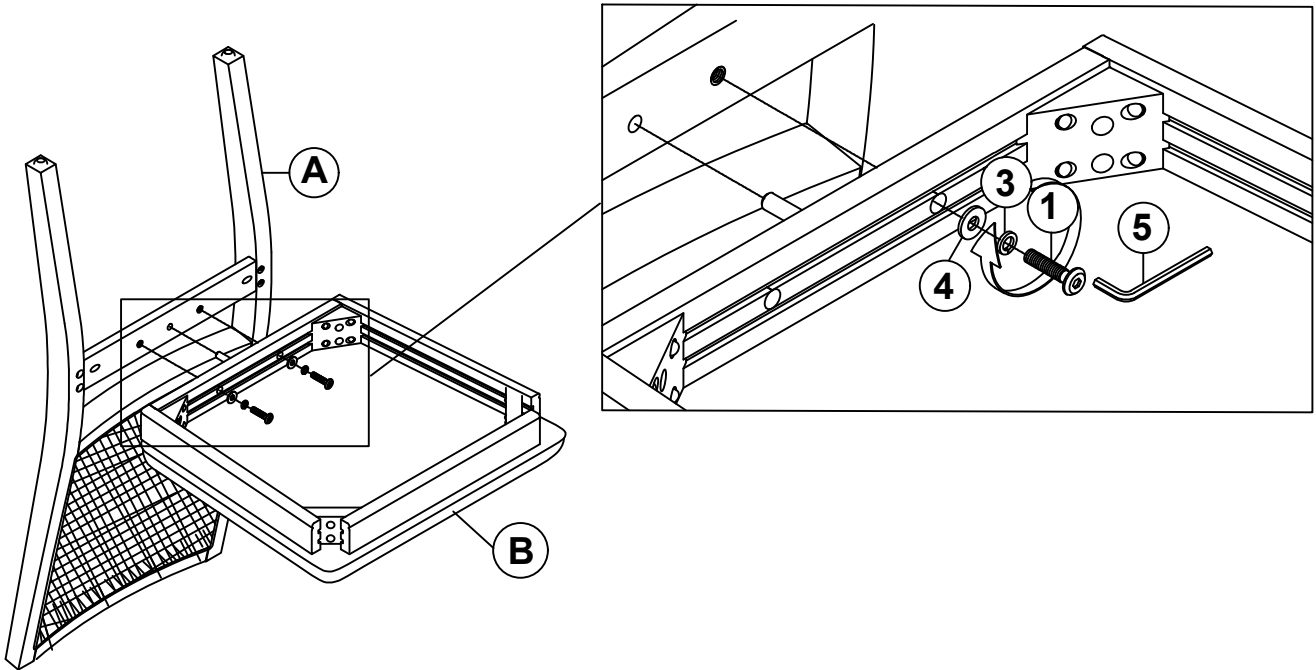
1	SHORT BOLT (M8 x 35mm - BLK)		2PCS
2	LONG BOLT (M8 x 70mm - BLK)		8PCS
3	LOCK WASHER (M8 x 13mm - BLK)		10PCS
4	FLAT WASHER (M8 x 19mm - BLK)		10PCS
5	ALLEN WRENCH (M5 x 65mm - BLK)		1PC

NOTE:

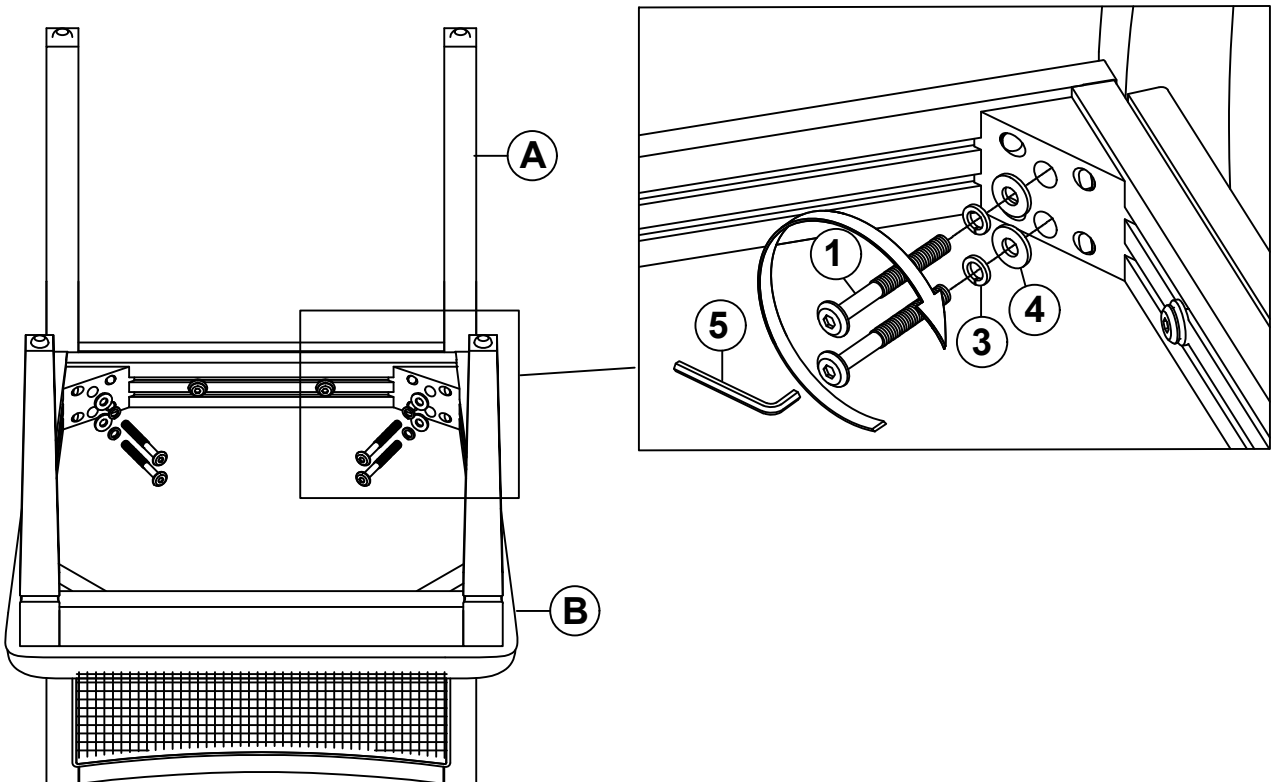
Quantities shown are for one chair.

ASSEMBLY INSTRUCTIONS

STEP 1

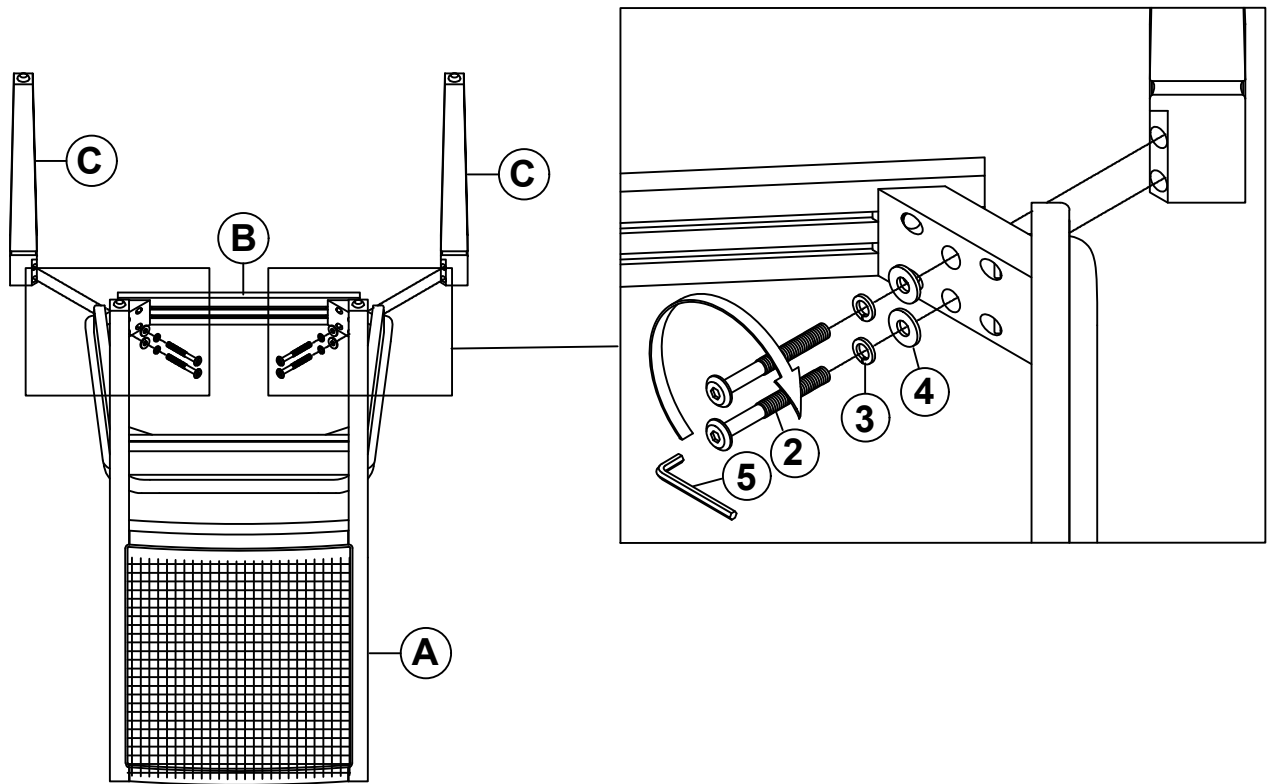


STEP 2

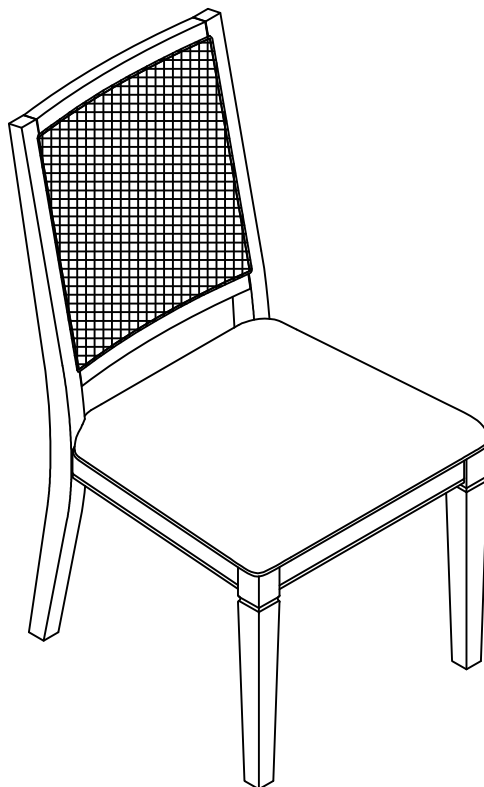


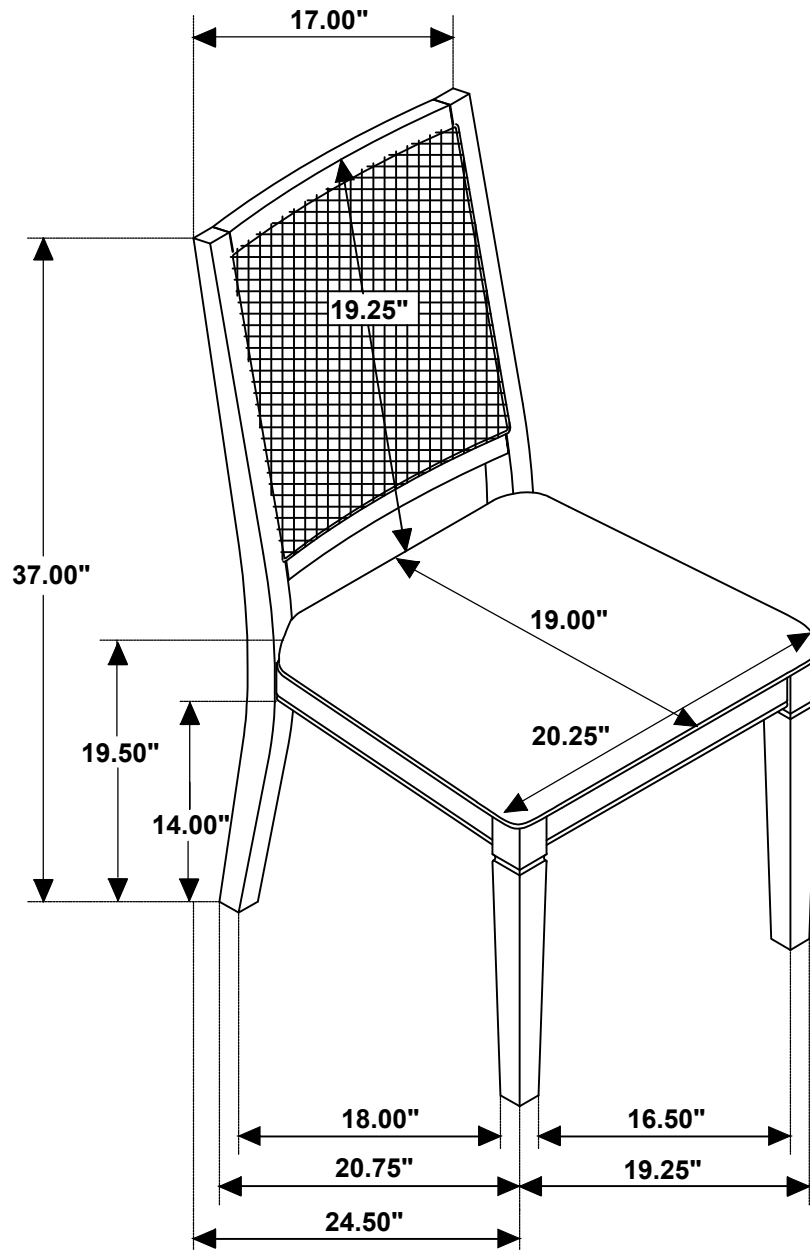
ASSEMBLY INSTRUCTIONS

STEP 3



STEP 4 COMPLETE





Note : Dimension tolerance $\pm 5\%$