

ASSEMBLY INSTRUCTIONS

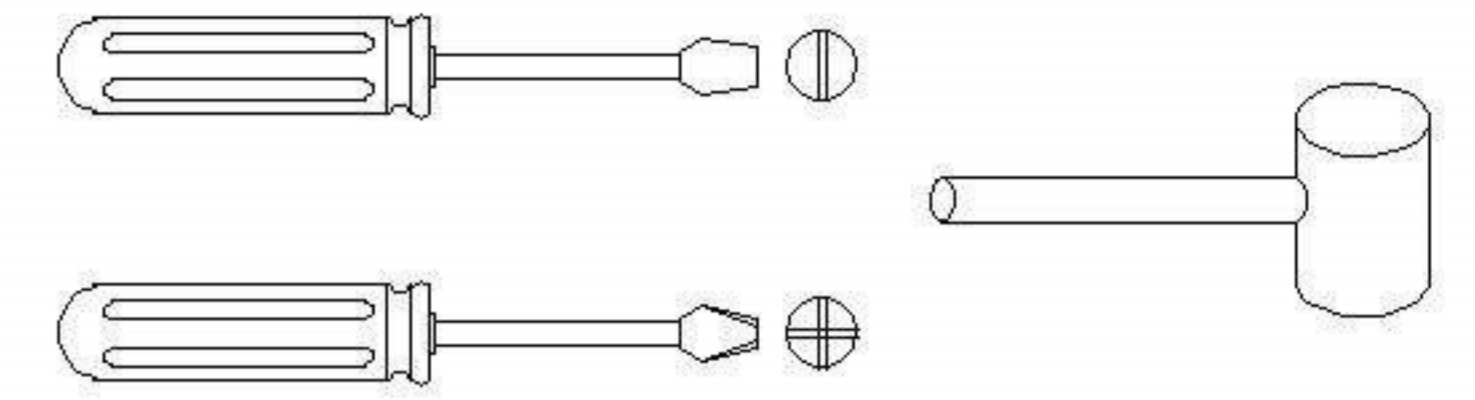
6 DRAWER DRESSER

ASSEMBLY
REQUIREMENTS

2 – Person
Assembly

2.5Hours
Assembly Time
(Approximate)

Tool Required
(Not Provided)



Thank you for purchasing our product!

Please refer and use this assembly instruction to assemble the product.
Contact our customer service department in case there are any missing or damage parts or hardware.
Replacement parts are normally shipped within 2 or 3days.

We appreciate your business!

ASSEMBLY PREPARATION:

1. Remove all packaging materials ,staples and packing straps from the carton.
2. Refer to Part List and Hardware List and ensure parts and hardware are correct before assembly.
Contact customer service for missing parts.
3. Place all wooden parts on clean, flat and soft surface (e.g .carpet or rug) to prevent scratch and damage to parts.

SAFETY PRECAUTION:

1. Keep ALL HARDWARE PART OUT OF REACH OF CHILDREN.
2. DISPOSE PLASTIC PACKAGING MATERIAL IMMEDIATELY TO AVOID ANY RISK OF SUFFOCATION TO CHILDREN AND ANIMALS

TIPS FOR ASSEMBLY:

1. Allow ample room for assembly and assemble the product near where the product will be placed.
2. Assemble the product on a surface that does not scratch or damage the exterior gloss and finish of the furniture.
3. Identify all the parts, hardware and quantities required for each step.
4. During assembly, do not over-tighten any fittings as this may cause damage.
5. DO NOT USE POWER TOOLS TO ASSEMBLE THIS PRODUCT.
6. Always place the product on a flat, level surface.
7. Do not sit or stand on the partially assembled product ;only use the product for which it is intended.

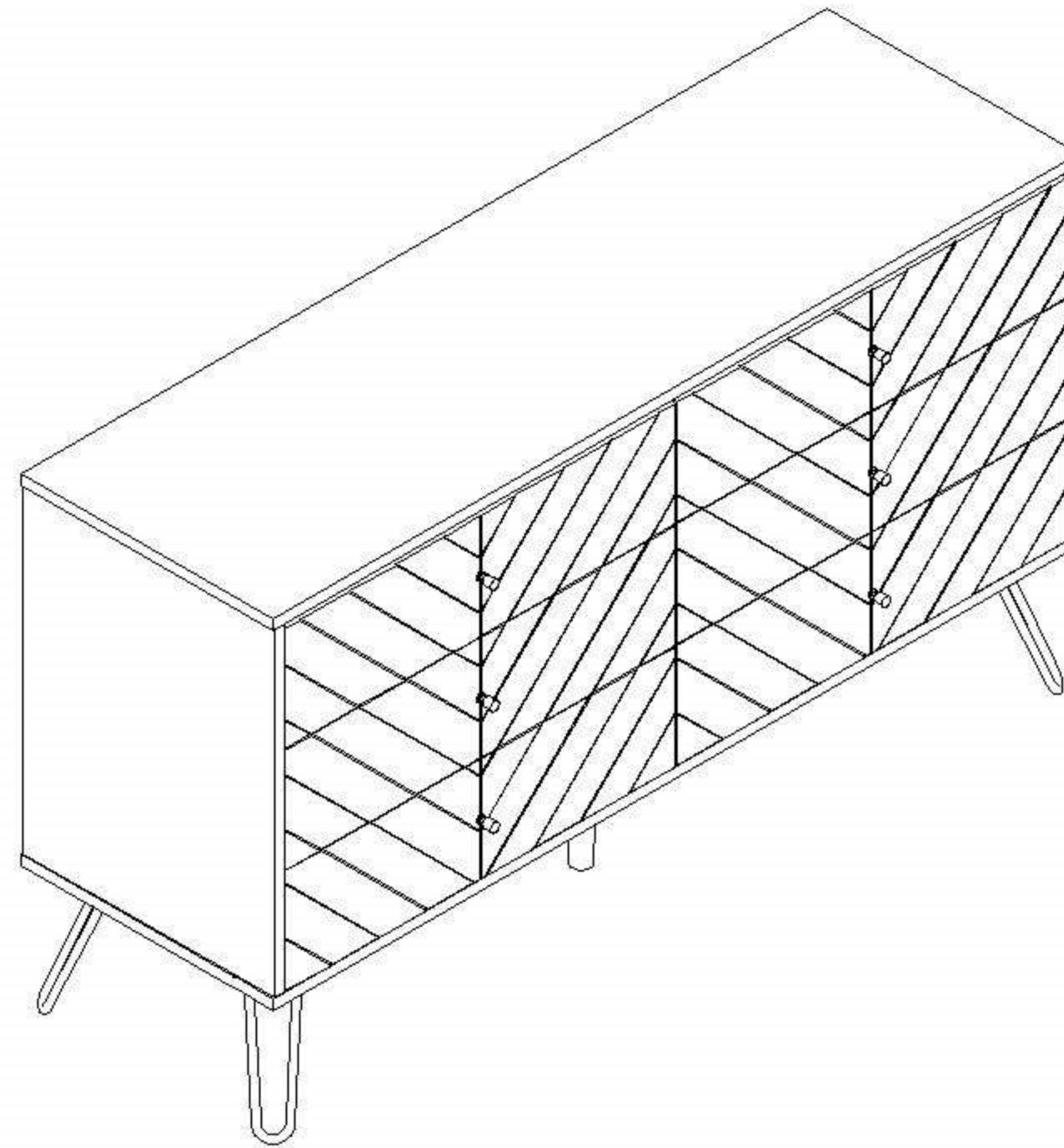
CARE AND MAINTENANCE:

- Use a slightly damp cloth to clean the product. Do not use bleach or abrasive cleaning material.
- Check all the fittings periodically and re-tighten as necessary. Do not use the product if any of the parts is damaged or broken.
- Never allow any kind of liquids to remain on your furniture. Absorption can cause wood to warp or delaminate.
- Do not place hot items (e.g hot drinks)directly onto the wood surface.
- Do not drag and pull your furniture.

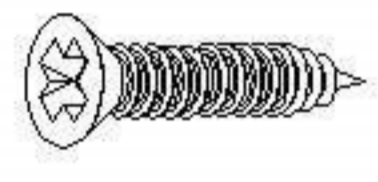

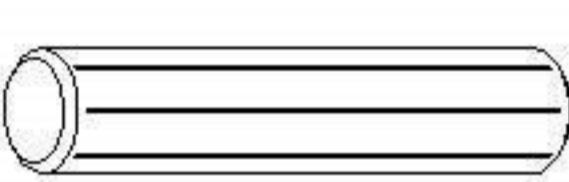
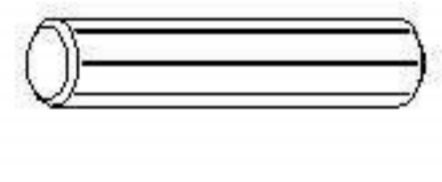
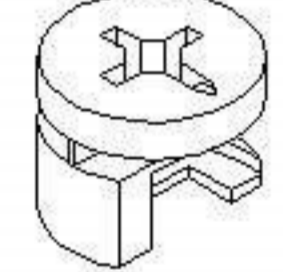
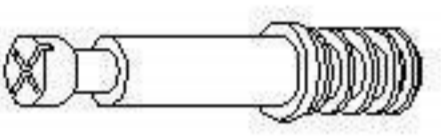
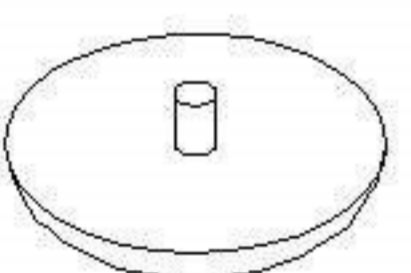
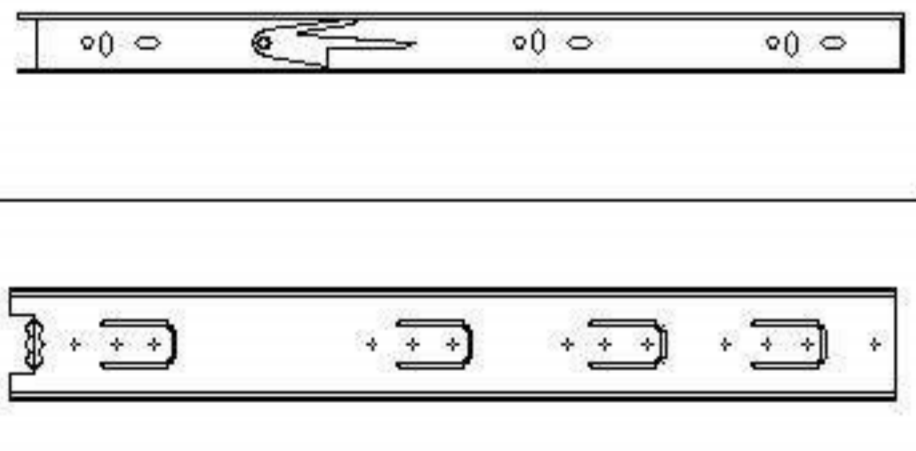
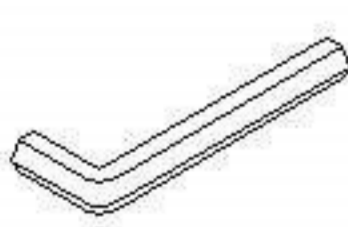
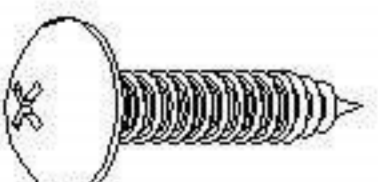

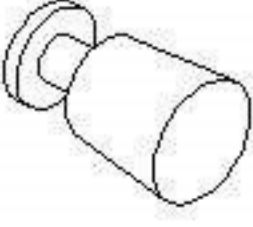
This product is for indoor and household use only –not for commercial or industrial use.

ASSEMBLY INSTRUCTIONS

6 DRAWER DRESSER



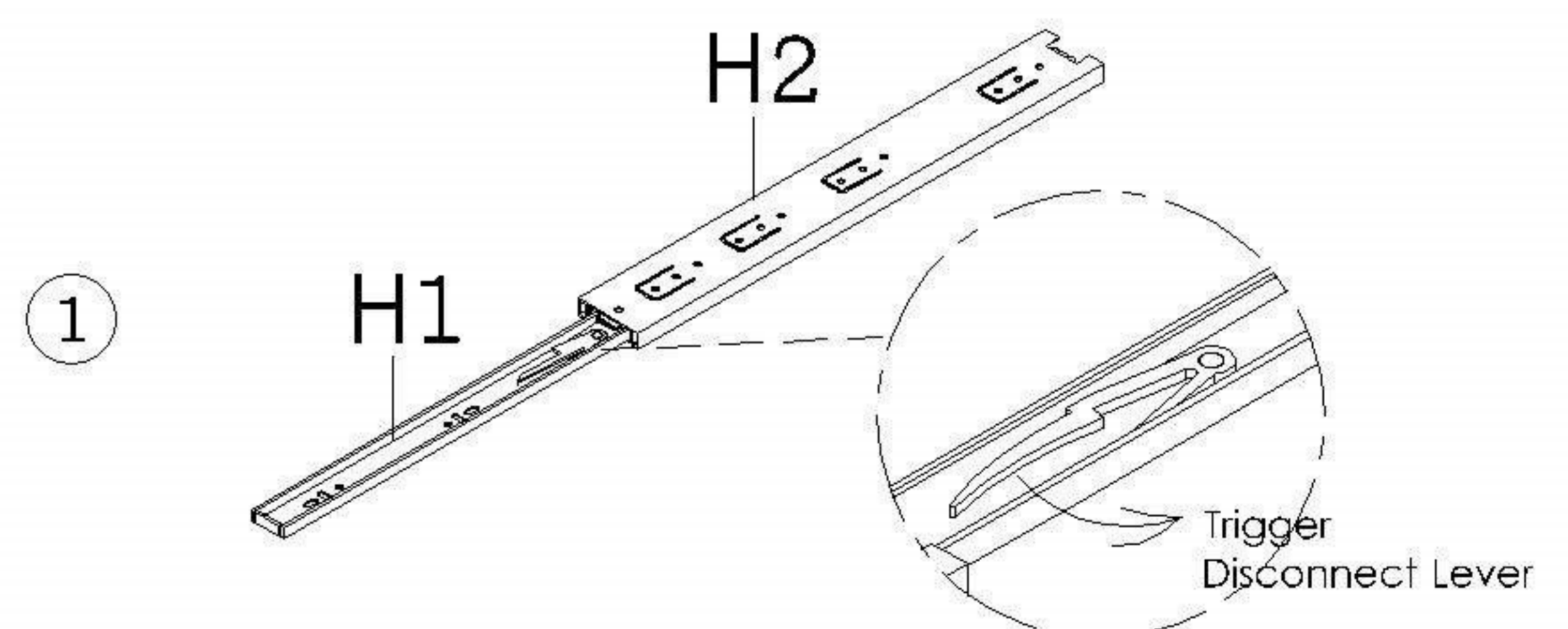
HARDWARE LIST

NO	DESCRIPTION	QTY	EXTRA
A	 CHIPBOARD SCREW M3 x 16MM	72	1
B	 CHIPBOARD SCREW M4 x 38MM	9	1
C	 WOOD DOWEL M8 x 35MM	20	1
D	 WOOD DOWEL M6 x 30MM	72	1
E	 CAM-LOCK 15x 12	41	1
F	 CAM-BOLT 5x 25	41	1
G	 CAM-LOCK COVER 17x 5	41	1
H1	 DRAWER SLIDE 350MM	6 SETS	
H2			
I	 ALLEN KEY M4	1	1
J	 PANHEAD CHIPBOARD SCREW M4 x 16MM (BLACK)	22	1
K	 PANHEAD SCREW M4 x 25MM	6	1
L	 HANDLE	6	

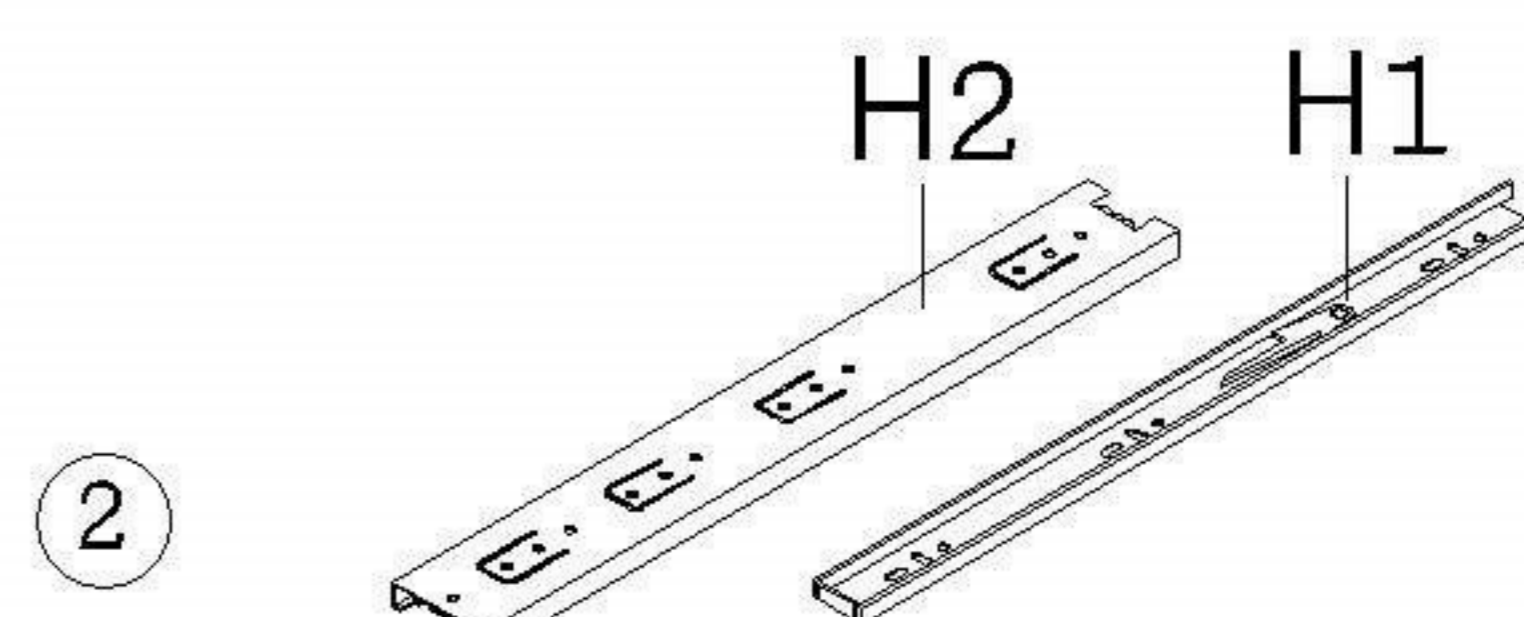
**SPARE HARDWARE

NO	DESCRIPTION	QTY	EXTRA
M	 JCBC SCREW M6 x 16MM	16	1
N	 FLAT WASHER M6	16	1
W	 CHIPBOARD SCREW M4 x 25MM	4	1
X	 FLAT WASHER M4	2	
Y	 WALL ANCHOR	2	
Z	 SAFETY STRAP 150mm	2	

DRAWER SLIDE DISASSEMBLE STEPS:



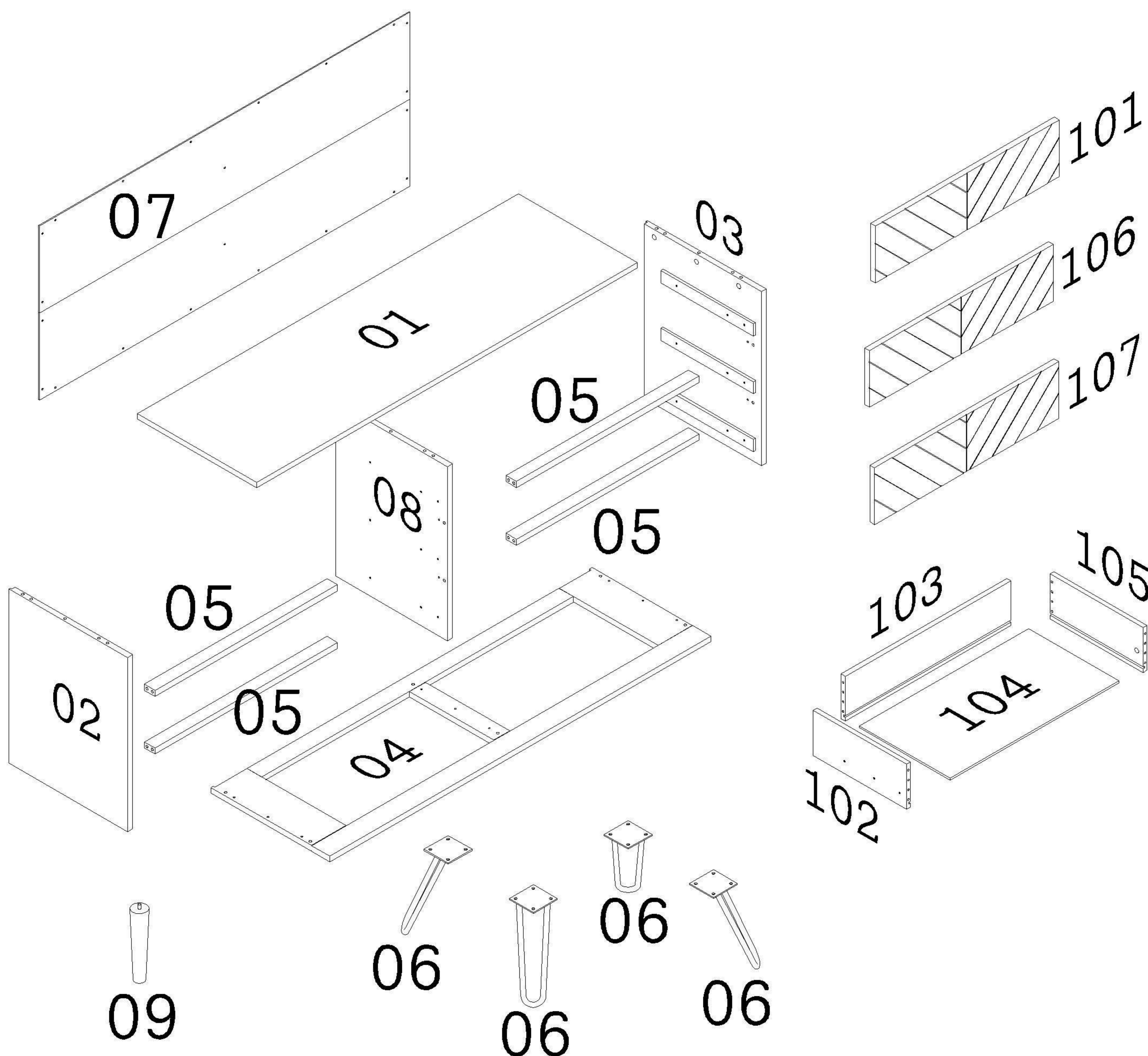
- A) Distinguish between Slide Track (H2) and Slide Runner (H1) of Drawer Slide.
- B) Slide out H1 from H2 until Trigger Disconnect Lever is visible.
- C) Depress the Trigger Disconnect Lever in the groove of H1 and at the same time slide out H2 completely from H1.



PARTS LIST

NO	PART NAME	QTY
1	TOP PANEL	1
2	LEFT PANEL	1
3	RIGHT PANEL	1
4	BOTTOM FRAME	1
5	CENTER RAIL	4
6	METAL LEG	4
7	BACK PANEL	1
8	MIDDLE PANEL	1

NO	PART NAME	QTY
9	SUPPORT STAND	1
101	TOP DRAWER FRONT PANEL	2
102	DRAWER LEFT PANEL	6
103	DRAWER BACK PANEL	6
104	DRAWER BASE PANEL	6
105	DRAWER RIGHT PANEL	6
106	MIDDLE DRAWER FRONT PANEL	2
107	BOTTOM DRAWER FRONT PANEL	2



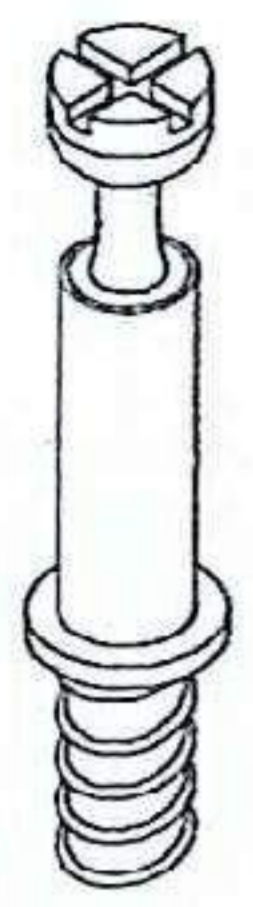
PARTS IN BOX 1

NAME: TOP PANEL	QTY: 1Pc	CODE: 1
NAME: LEFT PANEL	QTY: 1Pc	CODE: 2
NAME: RIGHT PANEL	QTY: 1Pc	CODE: 3
NAME: BOTTOM FRAME	QTY: 1Pc	CODE: 4
NAME: BACK PANEL	QTY: 1Pc	CODE: 7
NAME: MIDDLE PANEL	QTY: 1Pc	CODE: 8
NAME: METAL LEG	QTY: 4Pcs	CODE: 6
NAME: SUPPORT STAND	QTY: 1Pcs	CODE: 9
NAME: HARDWARE + AI	QTY: 1Pack	
NAME: DRAWER SLIDE	QTY: 1Pack	

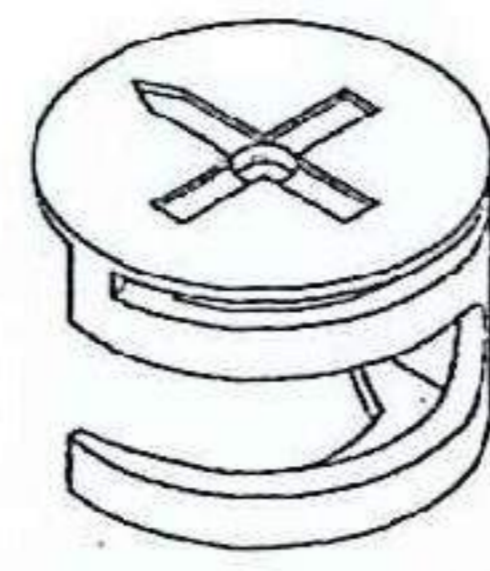
PARTS IN BOX 2

NAME: CENTER RAIL	QTY: 4Pcs	CODE: 5
NAME: TOP DRAWER FRONT PANEL	QTY: 2Pcs	CODE: 101
NAME: DRAWER LEFT PANEL	QTY: 6Pcs	CODE: 102
NAME: DRAWER BACK PANEL	QTY: 6Pcs	CODE: 103
NAME: DRAWER BASE PANEL	QTY: 6Pcs	CODE: 104
NAME: DRAWER RIGHT PANEL	QTY: 6Pcs	CODE: 105
NAME: MIDDLE DRAWER FRONT PANEL	QTY: 2Pcs	CODE: 106
NAME: BOTTOM DRAWER FRONT PANEL	QTY: 2Pcs	CODE: 107

INSTRUCTION FOR CAM-BOLT & CAM-LOCK

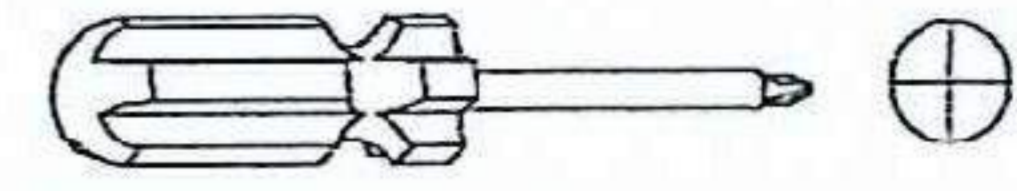
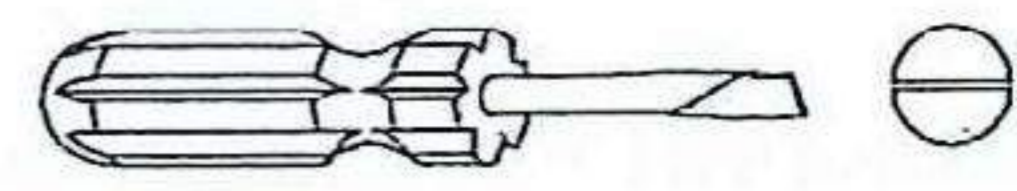


CAM-BOLT

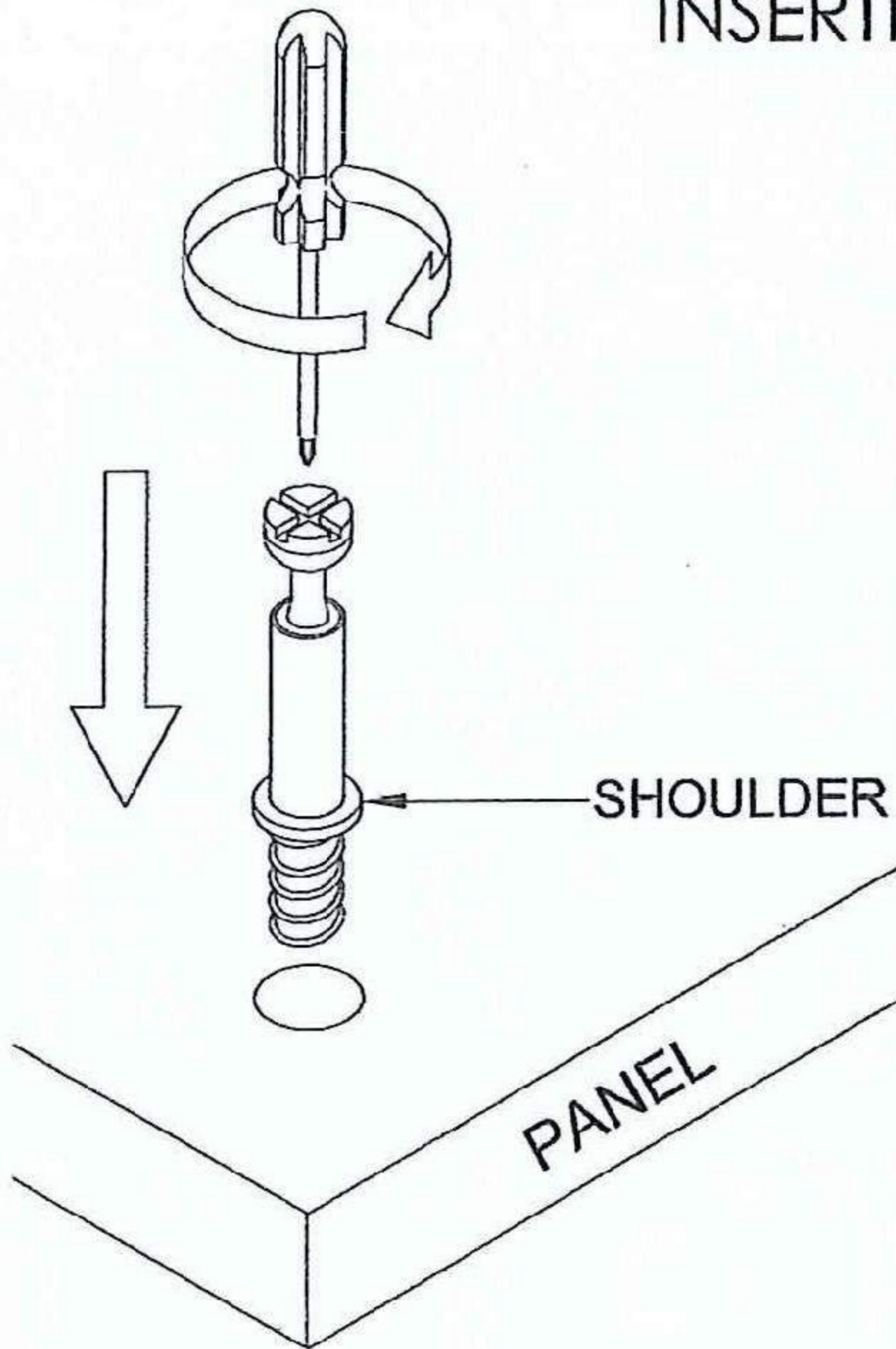


CAM-LOCK

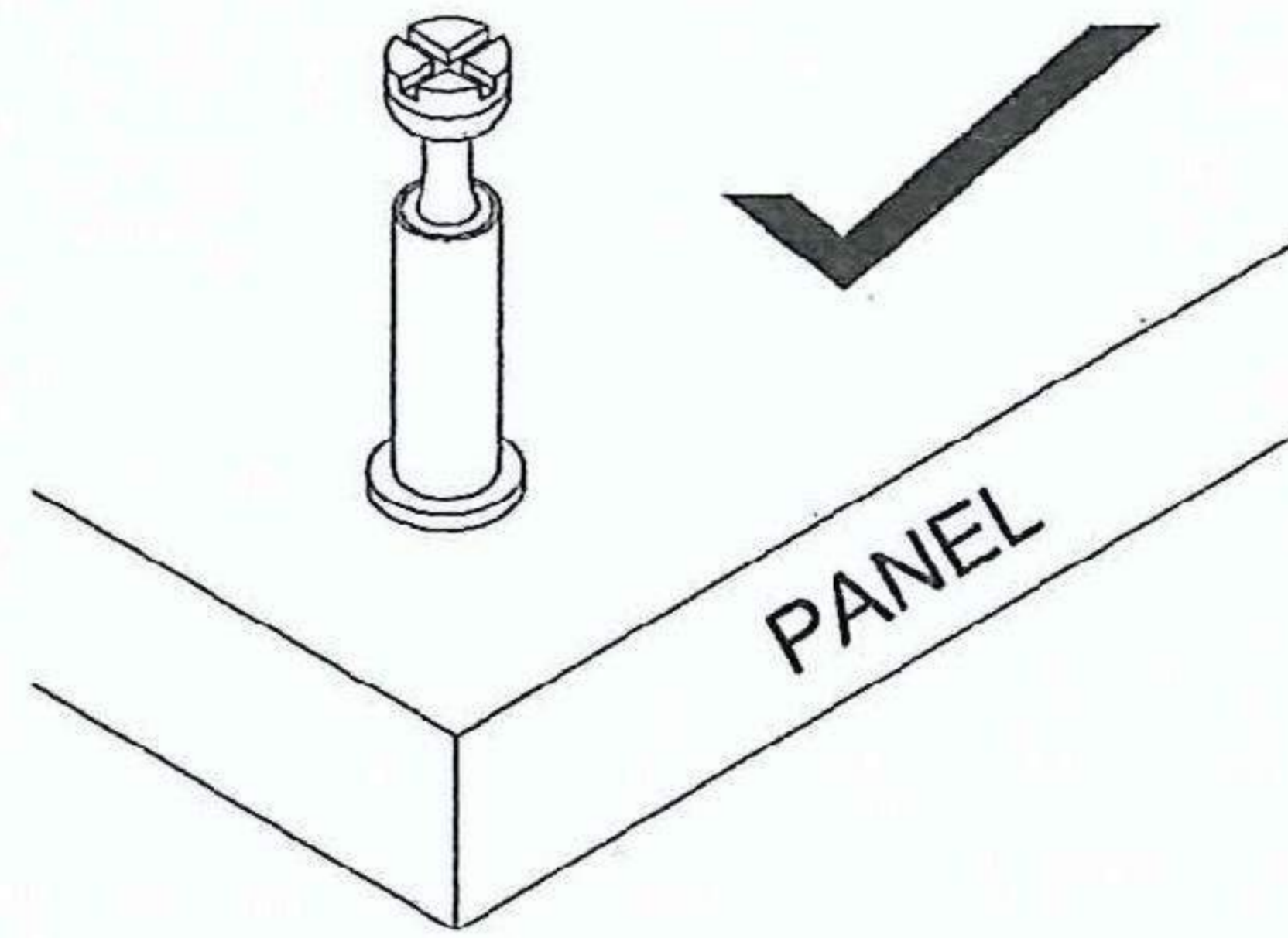
Tools Required



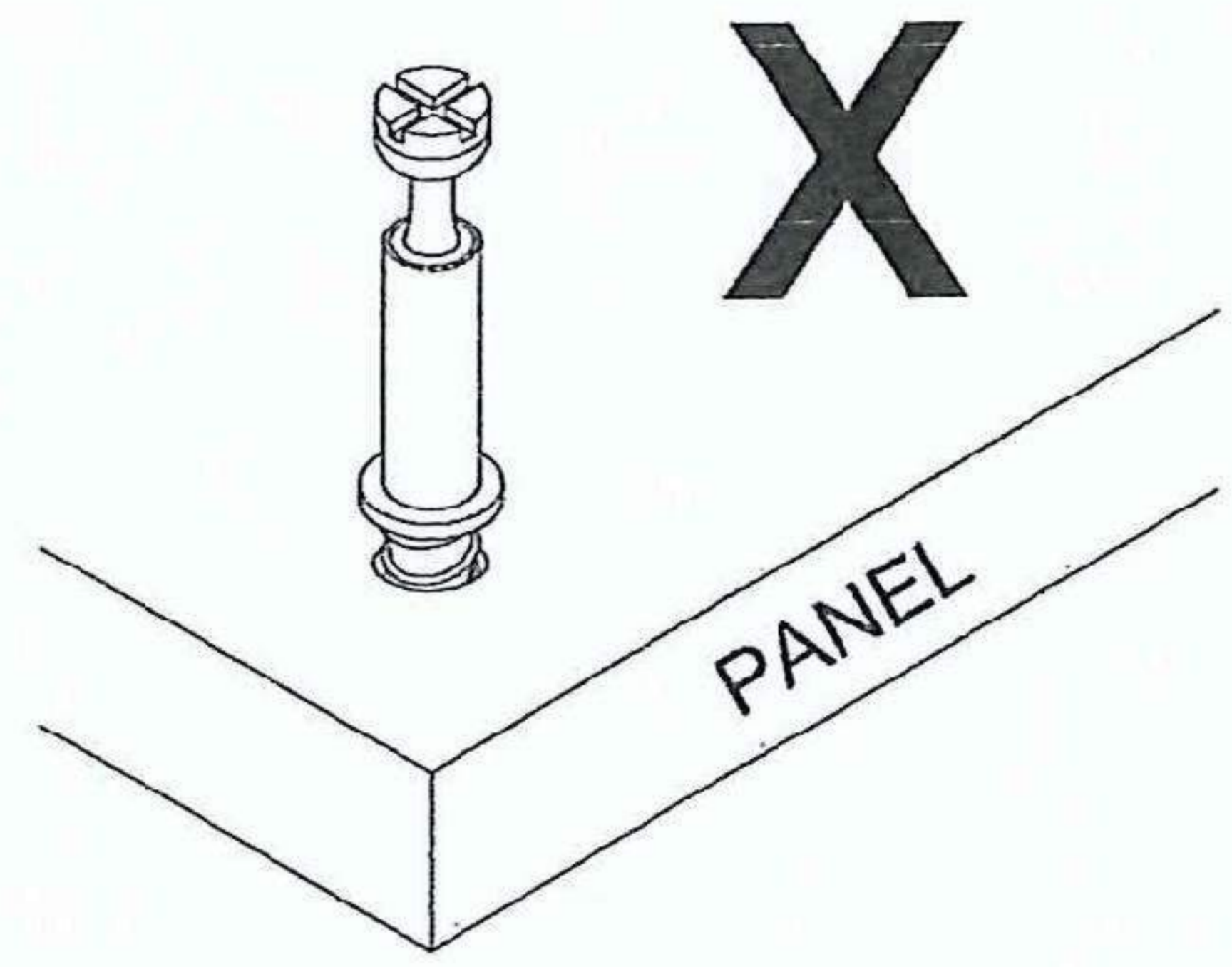
INSERTING AND TIGHTENING CAM-BOLT



Place Cam-bolt on pre-drilled hole and screw in vertically



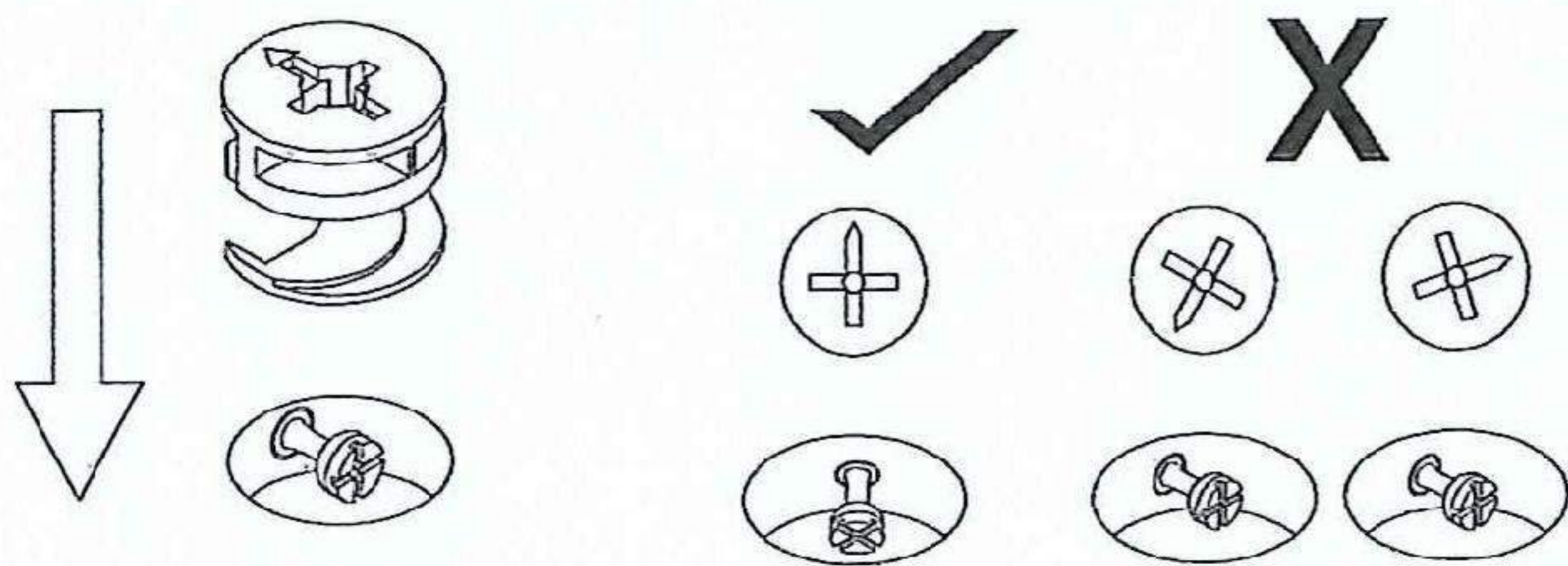
Shoulder is flushed (on the same level) with the panel.



Shoulder is above the panel.

Place Cam-bolt on the designated pre-drilled holes on the panel. Use a Phillips Screwdriver to screw-in Cam-bolt vertically until shoulder is flushed (on the same level) with panel.

INSERTING CAM-LOCK

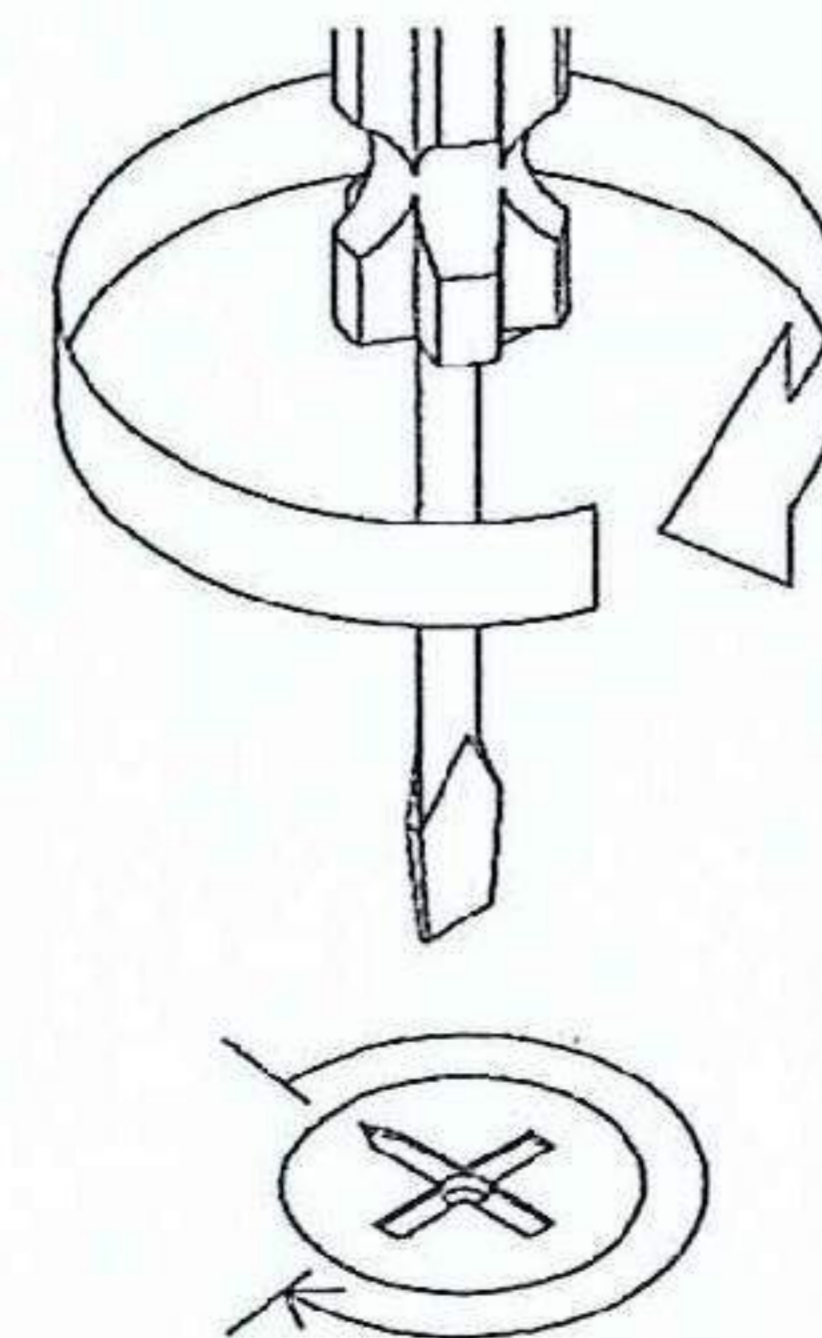


Insert Cam-lock with arrow align to Cam-bolt head

CORRECT

WRONG

TIGHTENING CAM-LOCK

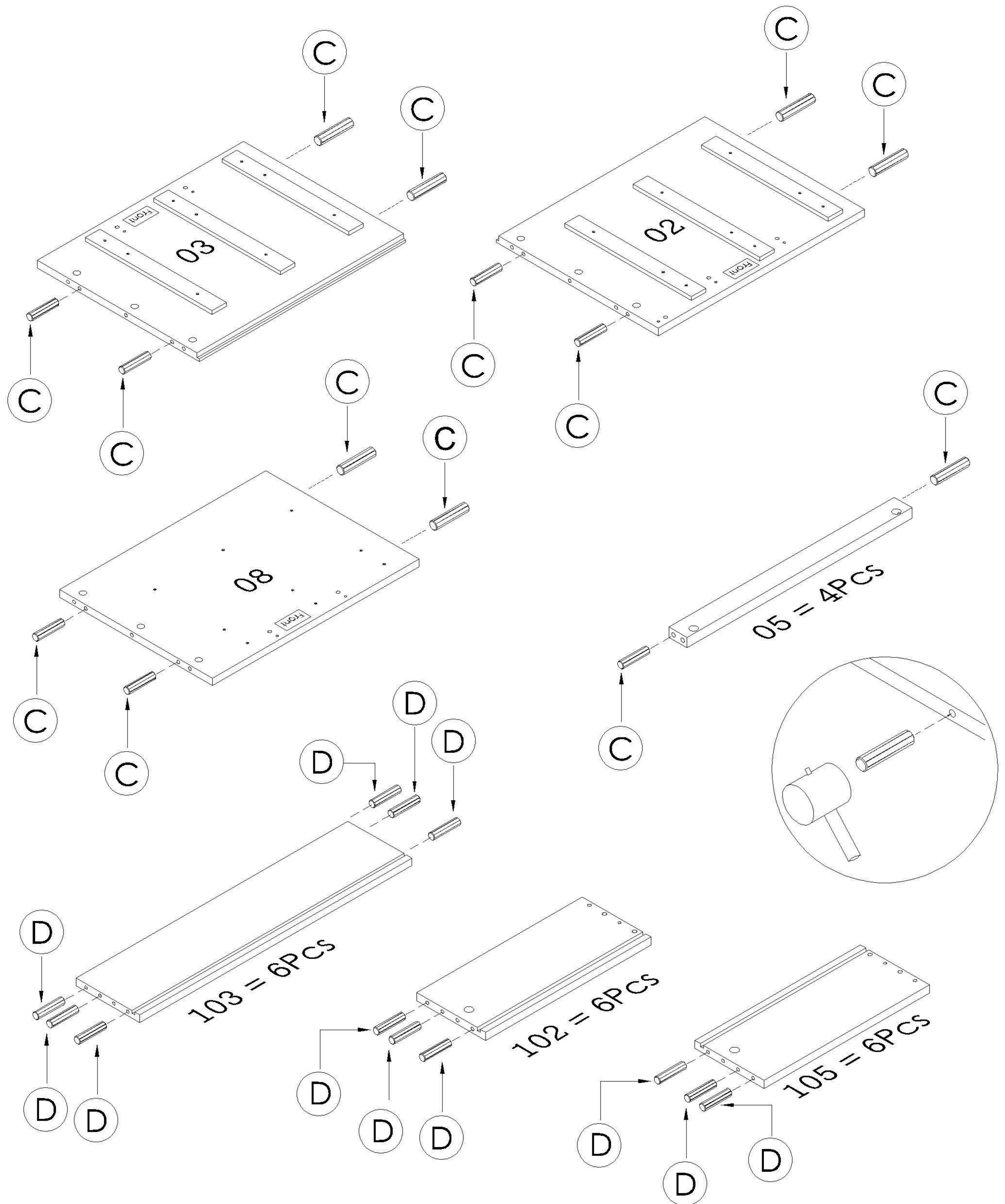
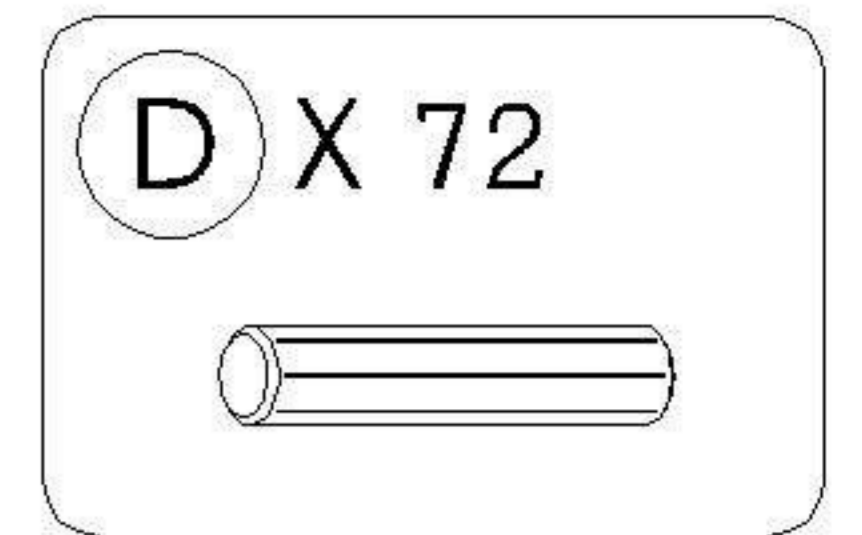
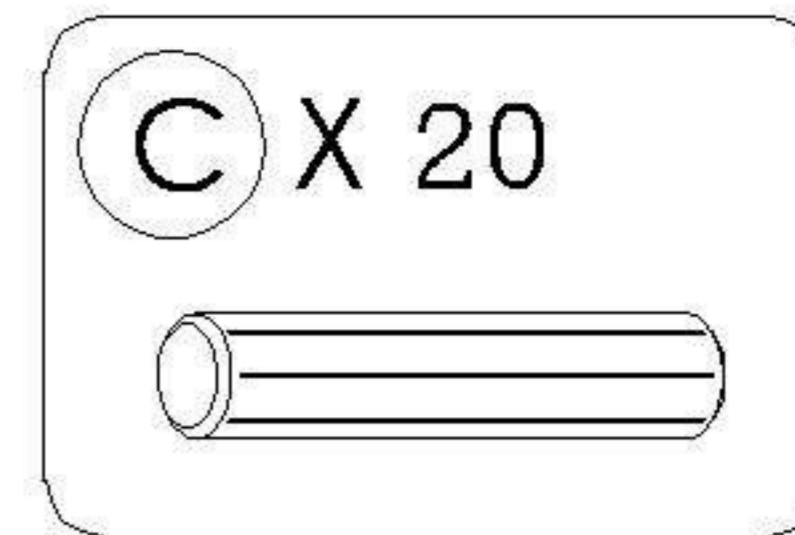


Use a Flat-head Screwdriver to turn Cam-lock clockwise so it locks onto the head of the Cam-bolt. Turn until it is snug (about 3/4ths of a turn) -- over-tightening could damage Cam-lock or/and Cam-bolt.

CAM-LOCK

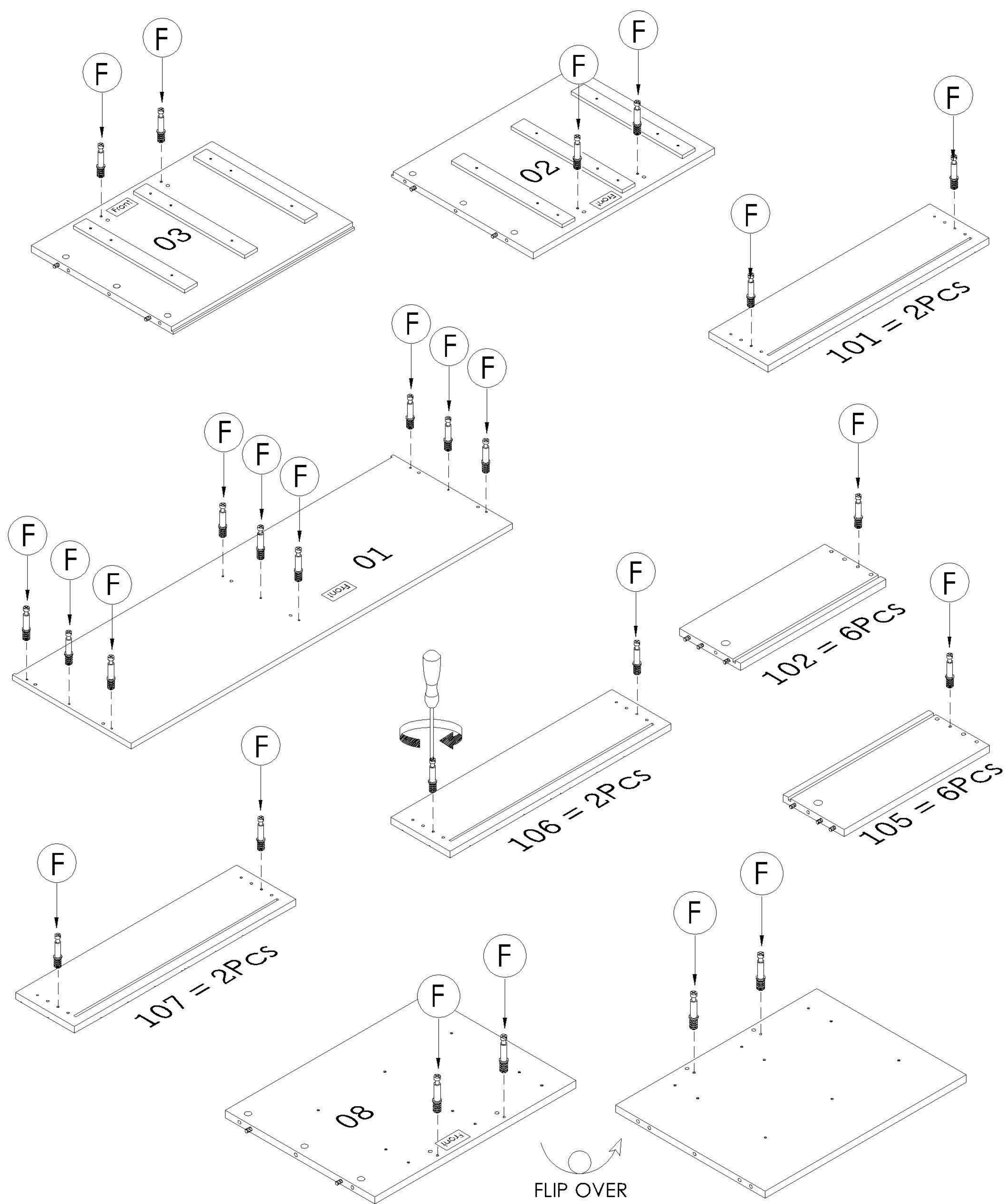
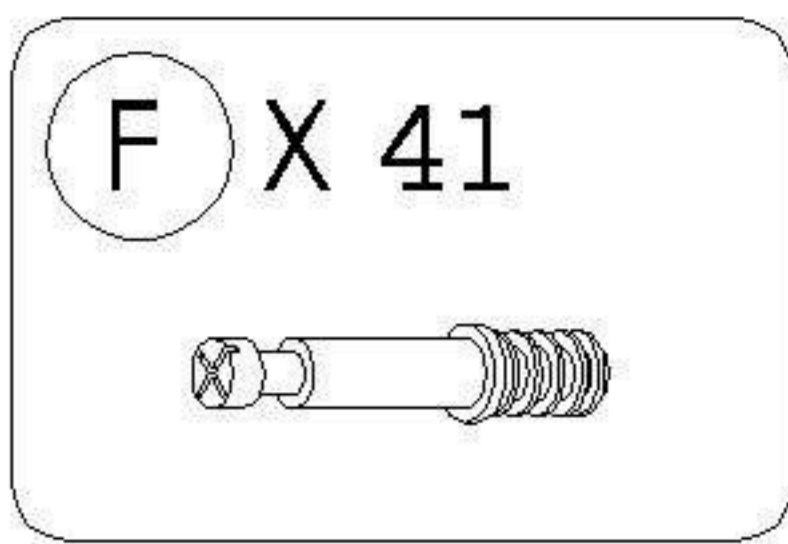
Align the arrow on the Cam-lock to the Cam-bolt head and insert the Cam-lock. Ensure Cam-lock is fully inserted.

STEP 1



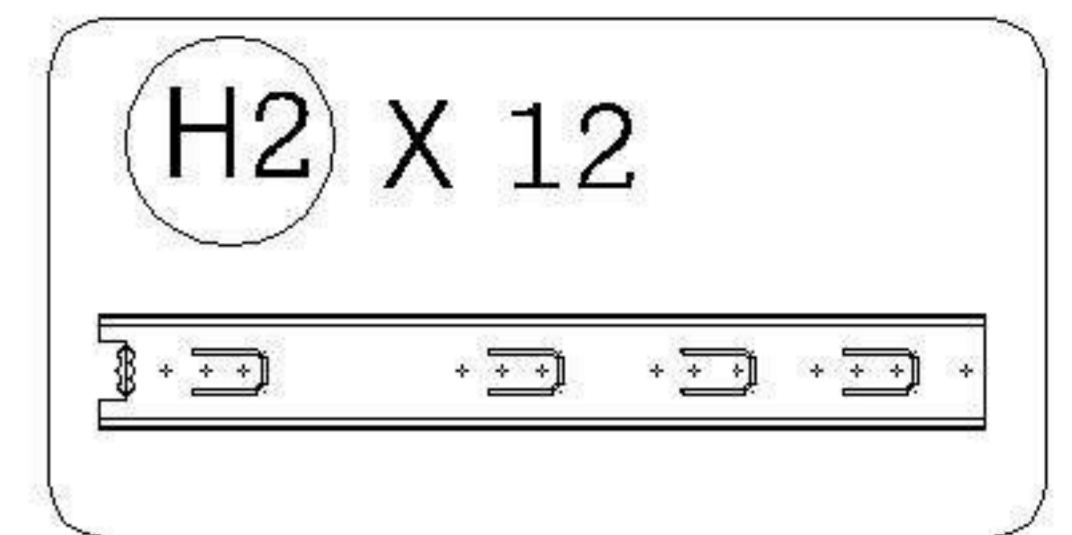
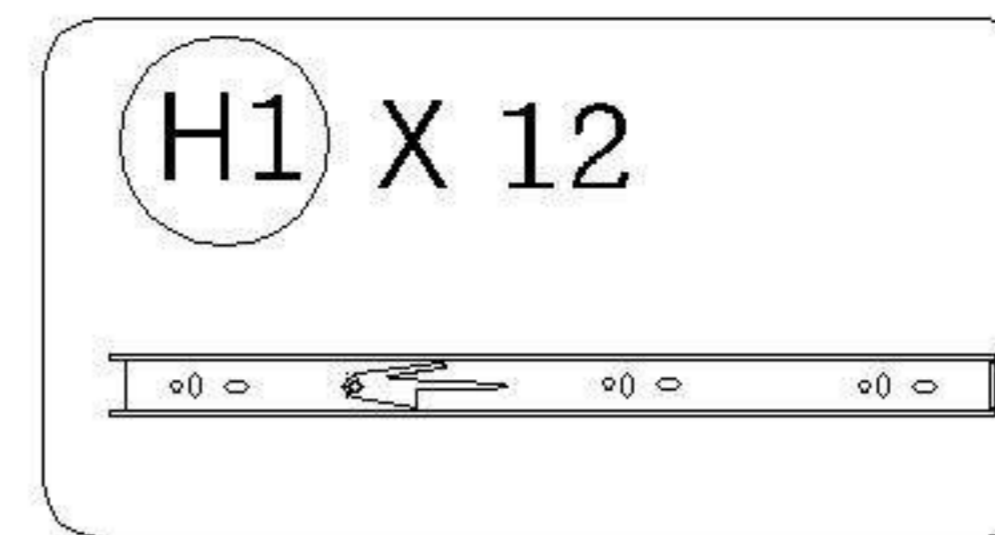
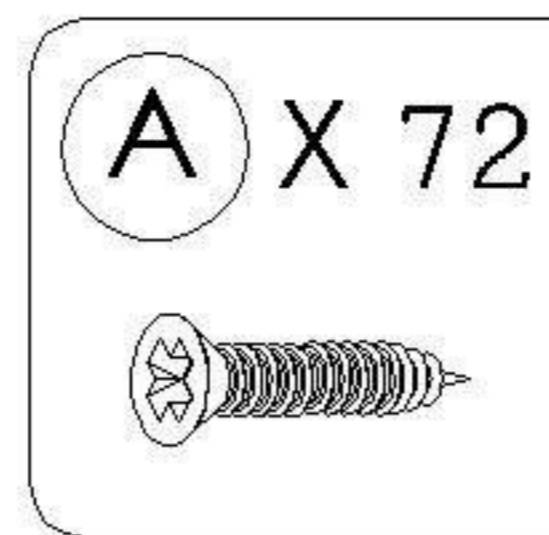
- Lay Left & Right Panel (2 & 3), Center Rail (5) , Middle Panel (8) , Drawer Back Panel (103) and Drawer Left & Right Panel (102 & 105), as shown on a material that does not scratch or damage the parts.
- Identify the designated holes for Wood Dowel (C or D) on each part and insert wood dowel. Use a mallet or hammer to lightly tap in Wood Dowel (C or D) if necessary.

STEP 2



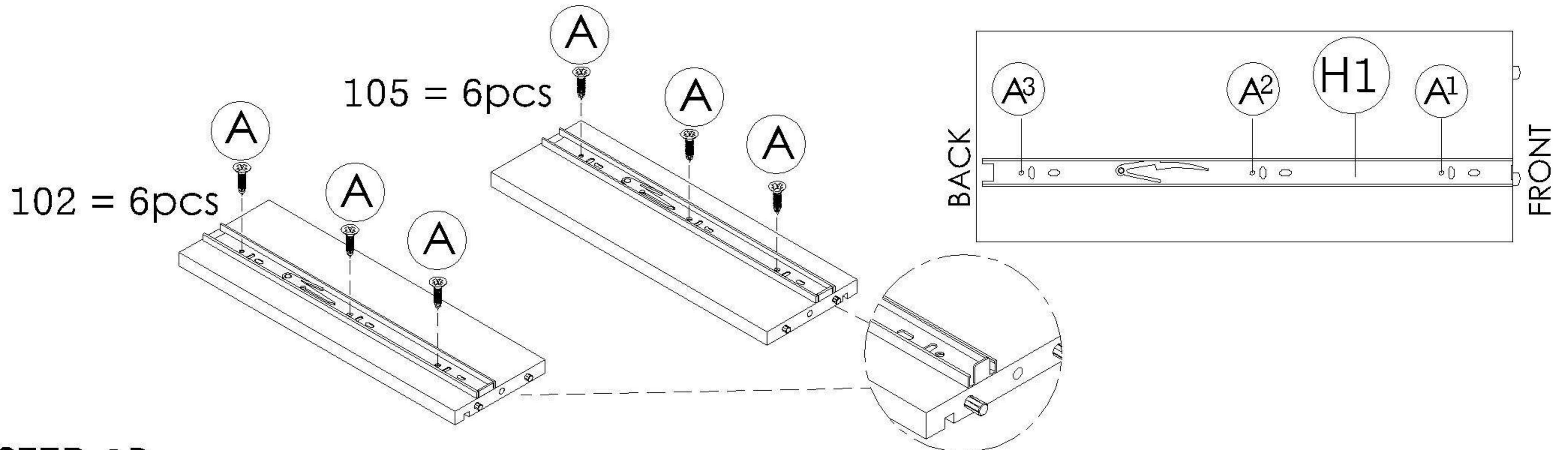
A. Screw in Cam-Bolt (F) into the Top Panel (1), Left & Right Panel (2 & 3), Middle Panel (8), Top Drawer Front (101), Middle Drawer Front (106), Bottom Drawer Front (107) Left & Right Drawer Side (102 & 105). Refer to page 4 for instructions on inserting and tightening Cam-Bolt (F).

STEP 3



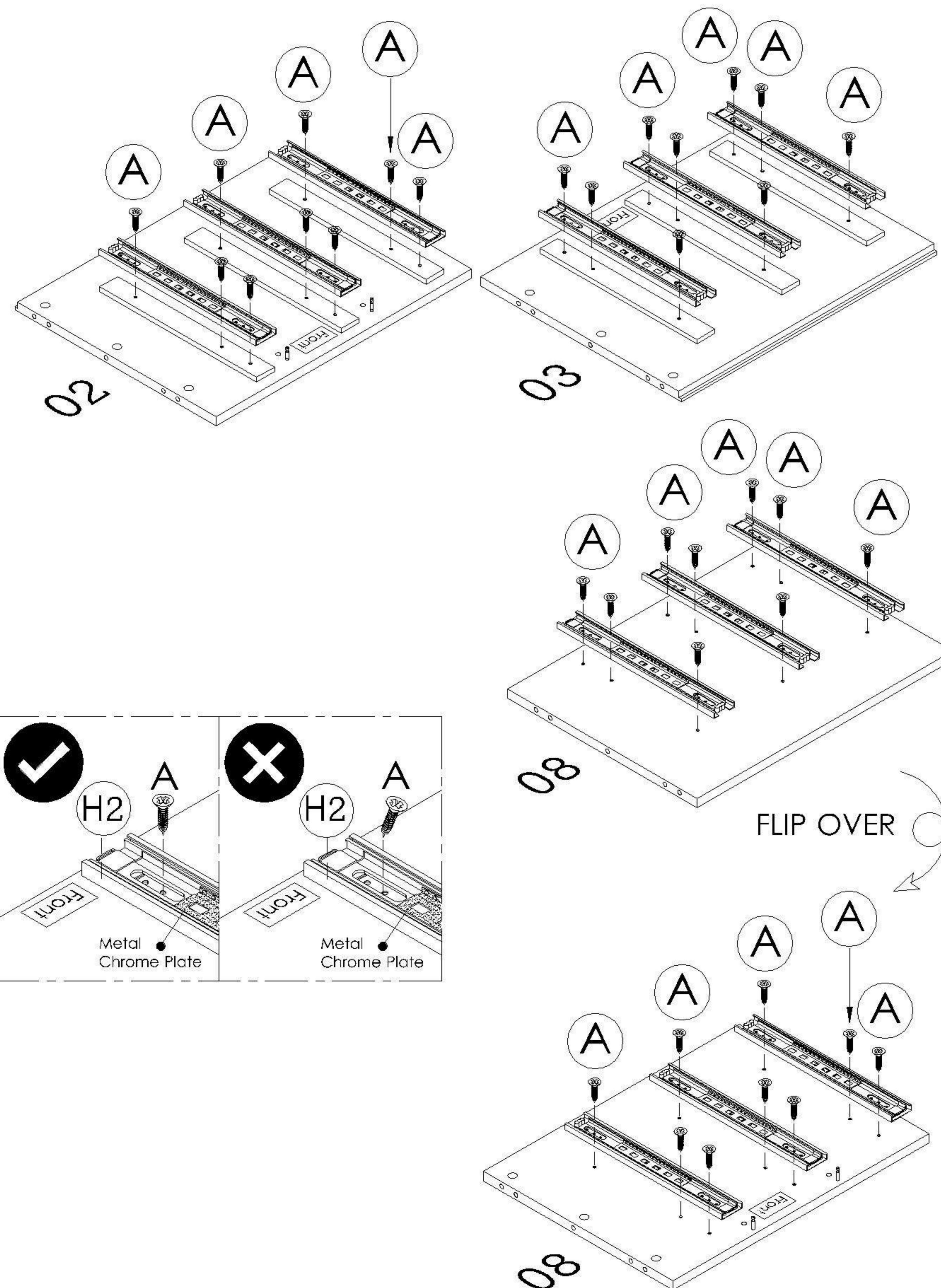
STEP 3A

Identify the pilot holes on Left & Right Drawer Slide (102 & 105) and install Slide Runner (H1) using Chipboard Screw (A) – ensure that the screws are screwed in vertically. Do not tighten the screw completely until all three screws are in place. Note: The sequence of fastening Screw (A) is from the front to the back.

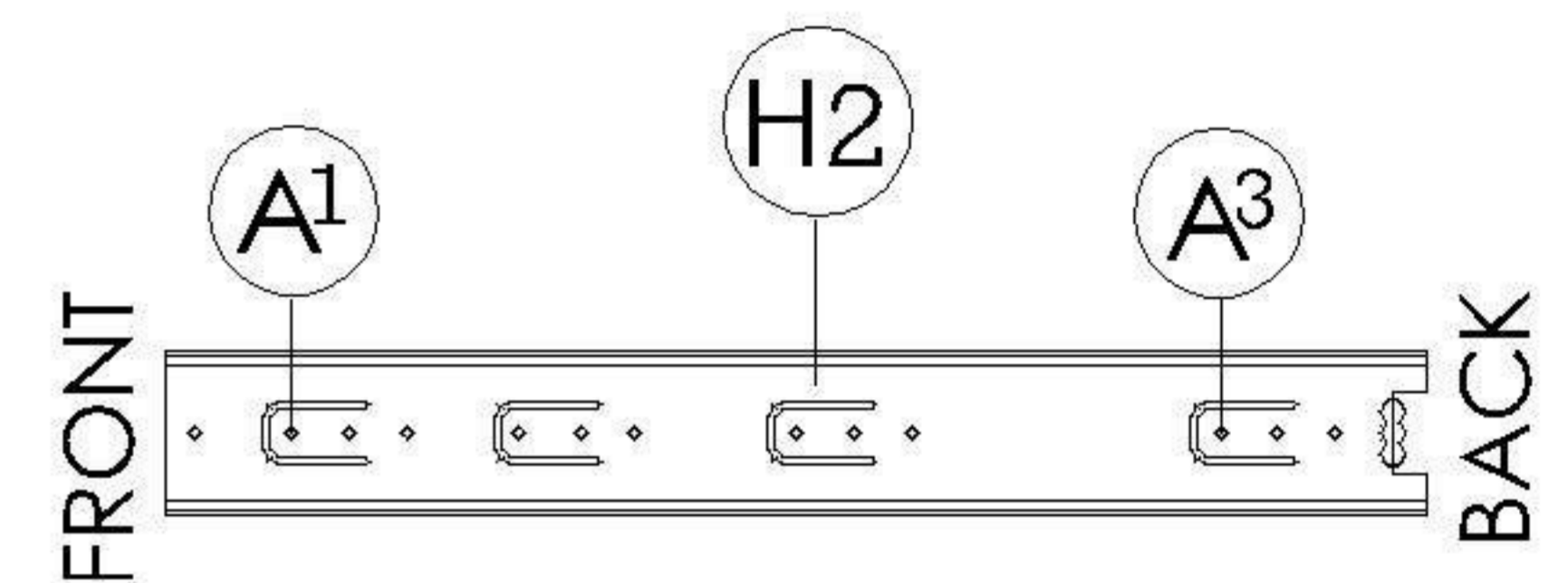


STEP 3B

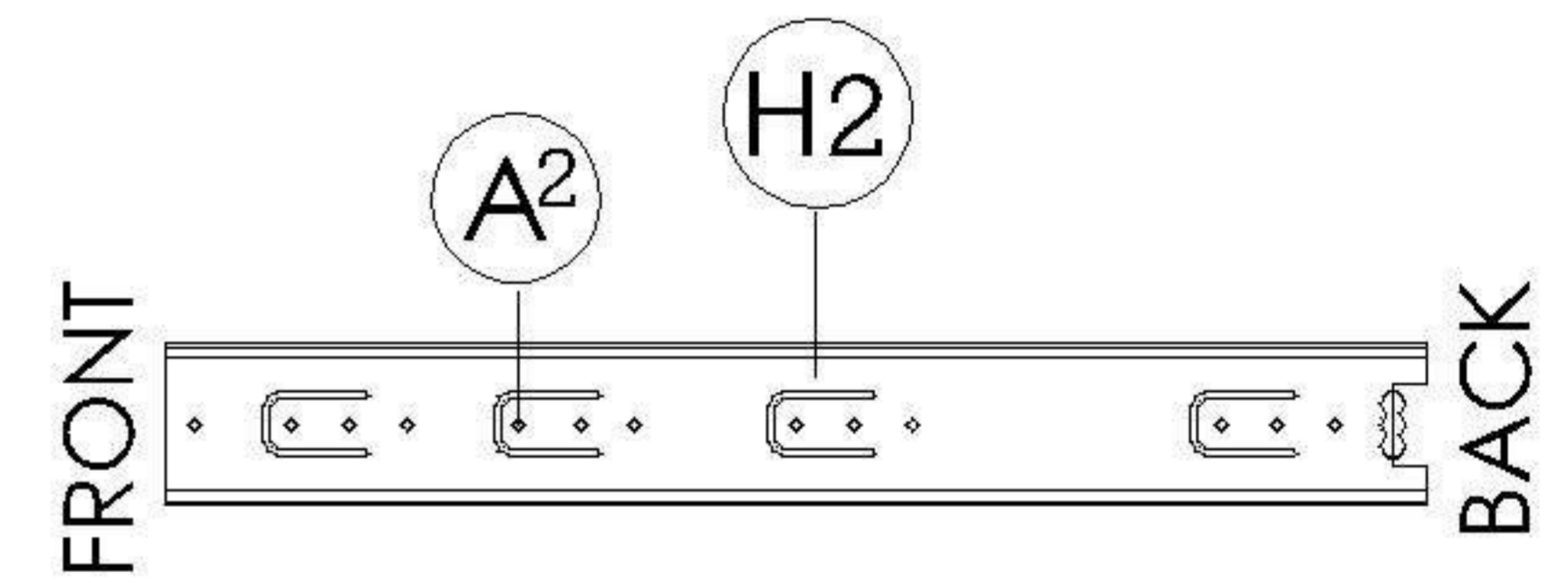
Identify the pilot holes on Left & Right Panel (2 & 3) and both side of Middle Panel (8) for Slide Track (H2) Use Screw (A) to fasten (H2)– ensure that the screws are screwed in vertically. Do not tighten the screw completely until all three screws are in each track.



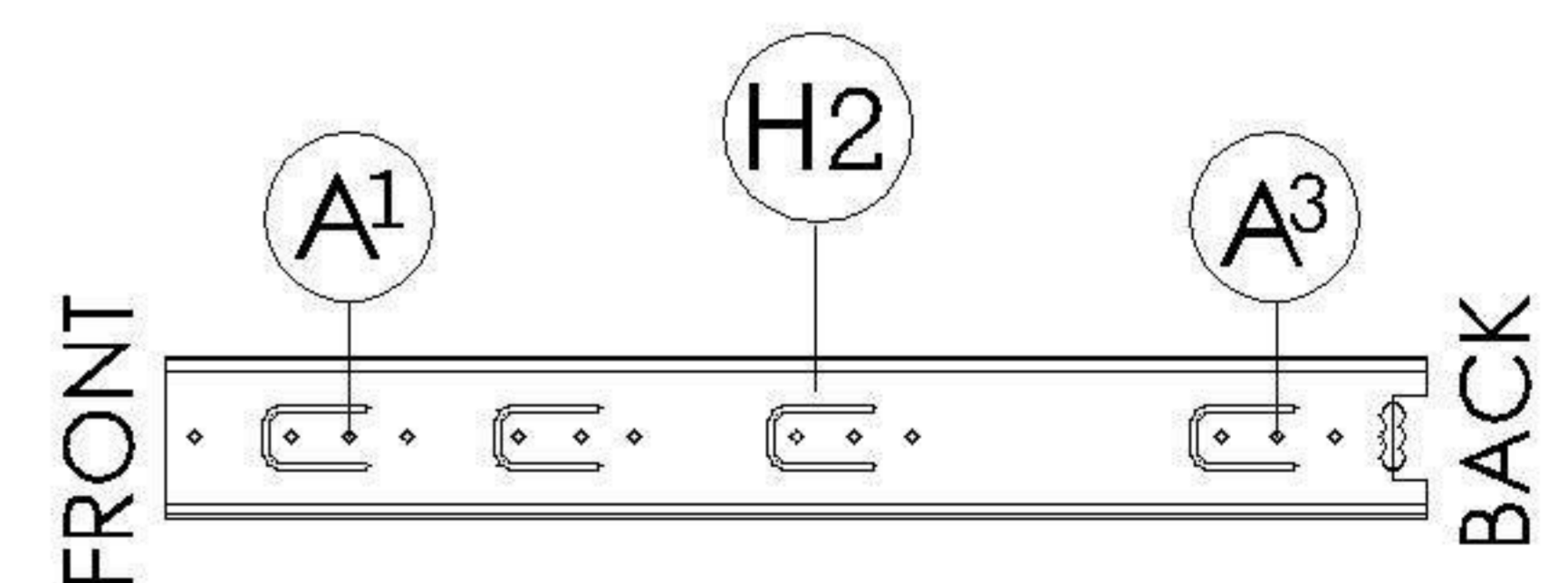
Step 1: Screw in A¹ and A³ on a view hole.



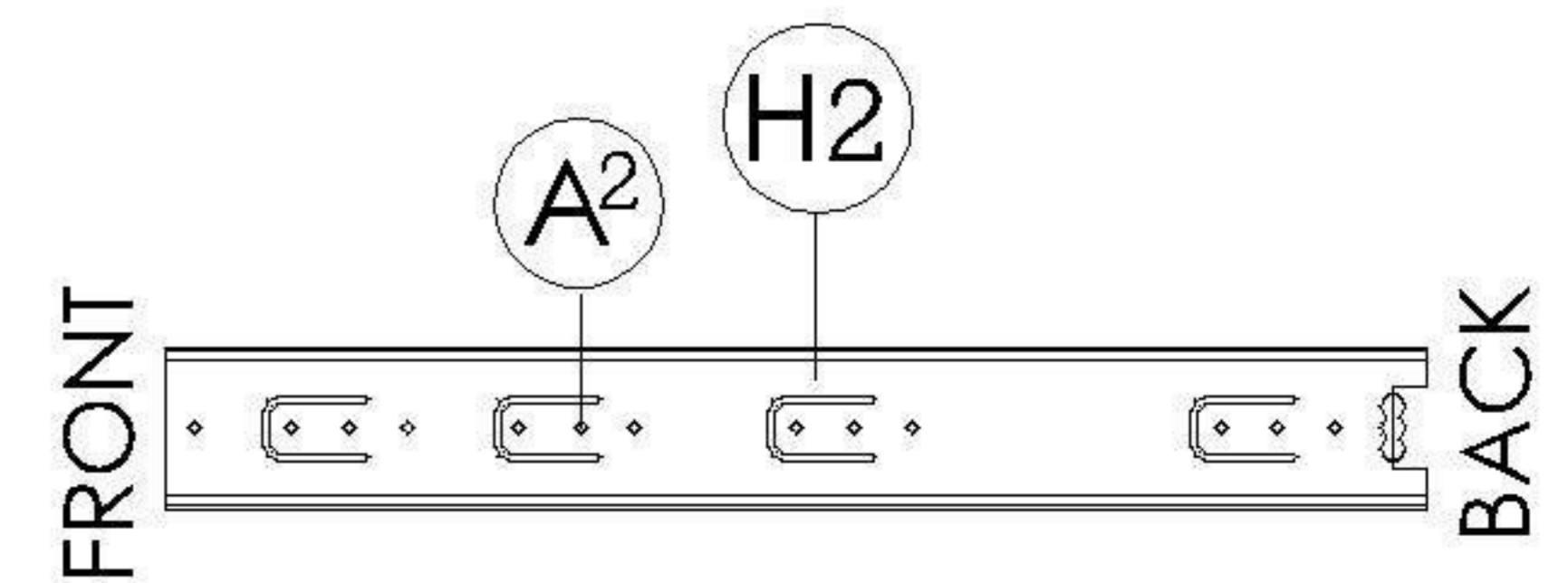
Step 2: Adjust Metal Chrome Plate, screw in A² on view A hole



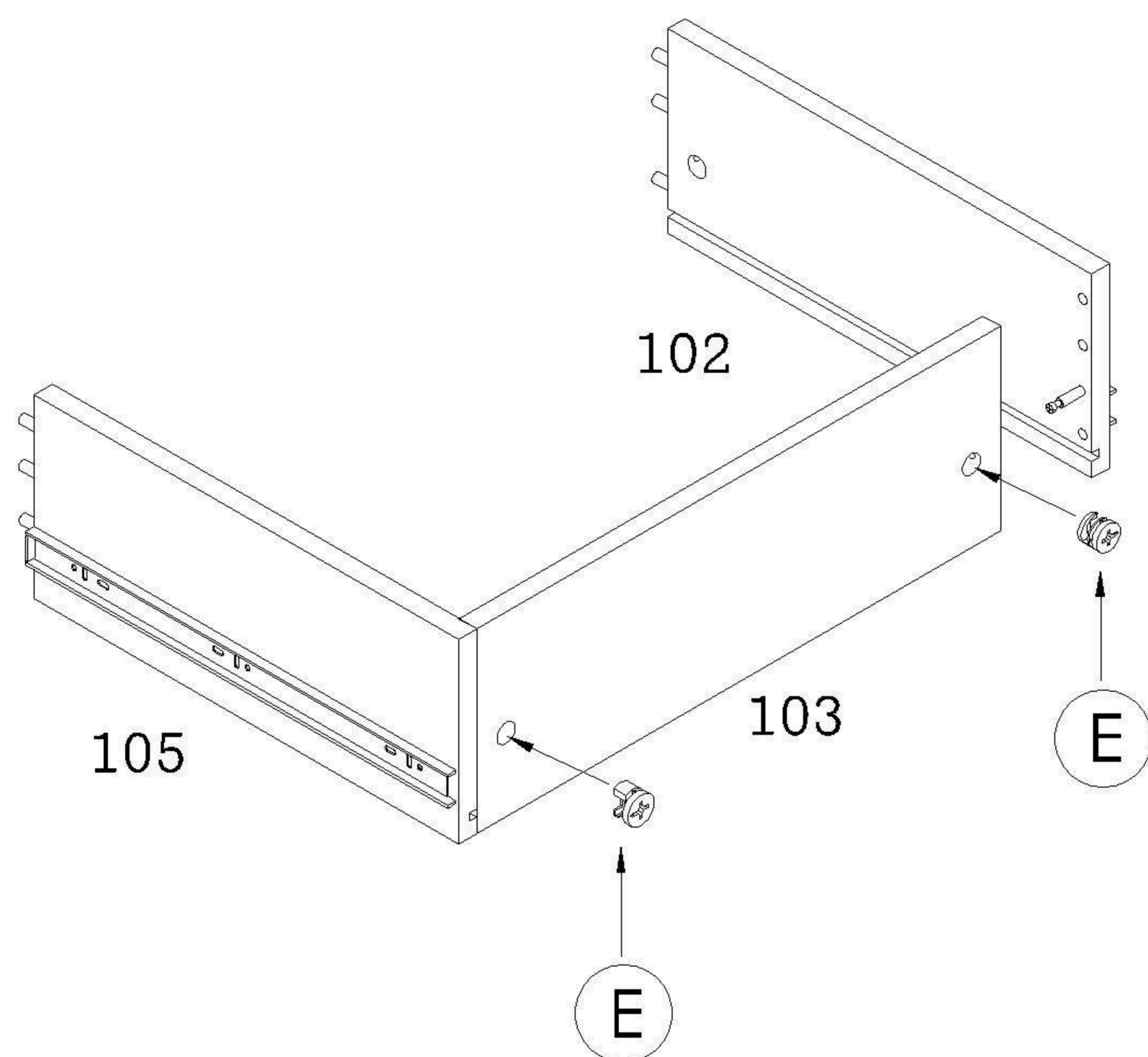
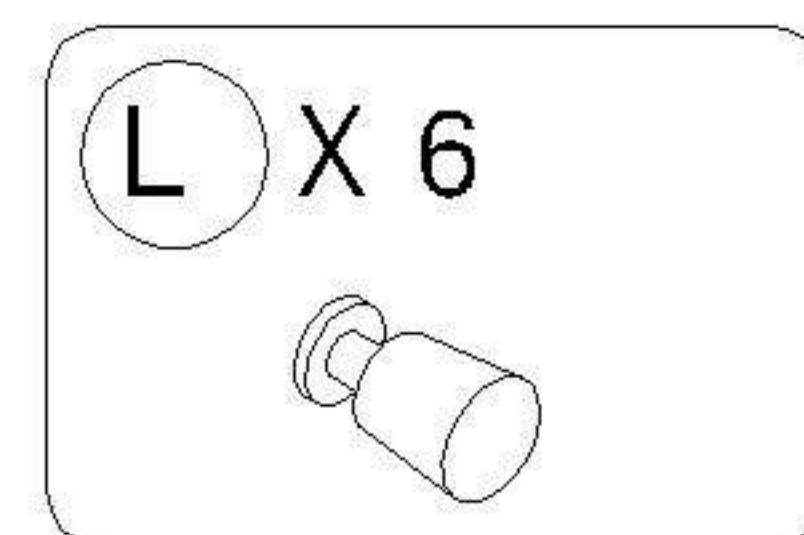
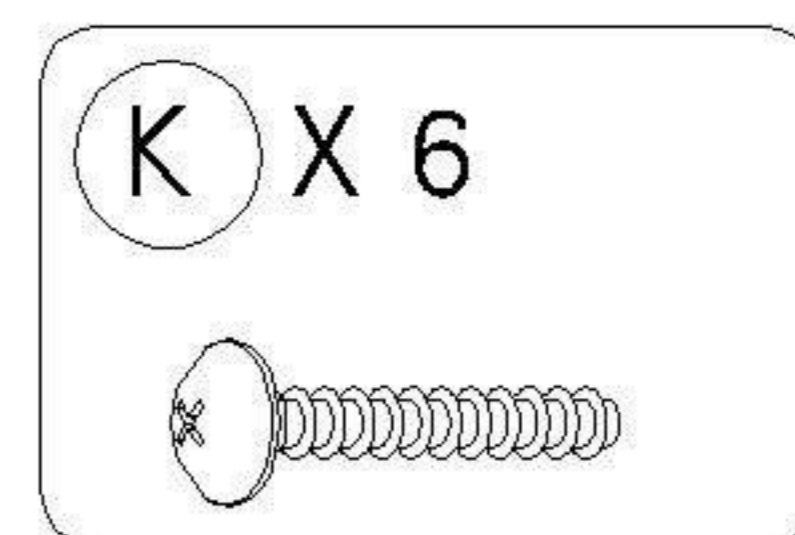
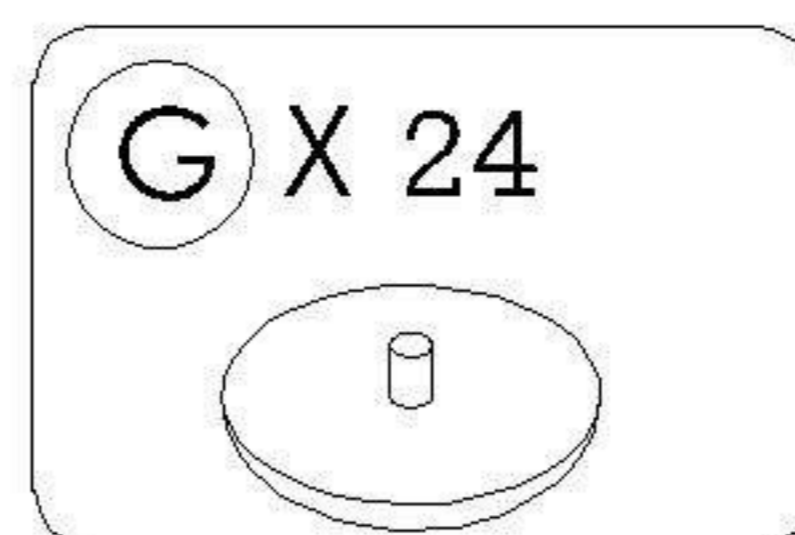
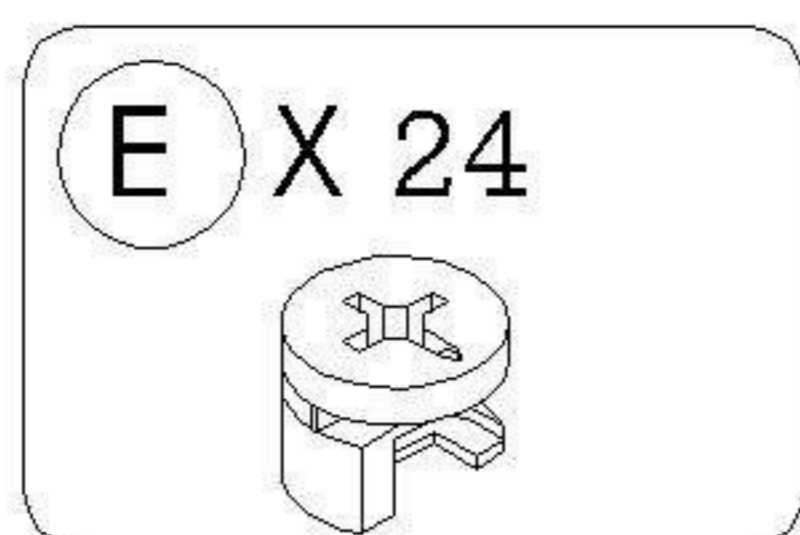
Step 1: Screw in A¹ and A³ on a view hole.



Step 2: Adjust Metal Chrome Plate, screw in A² on view A hole

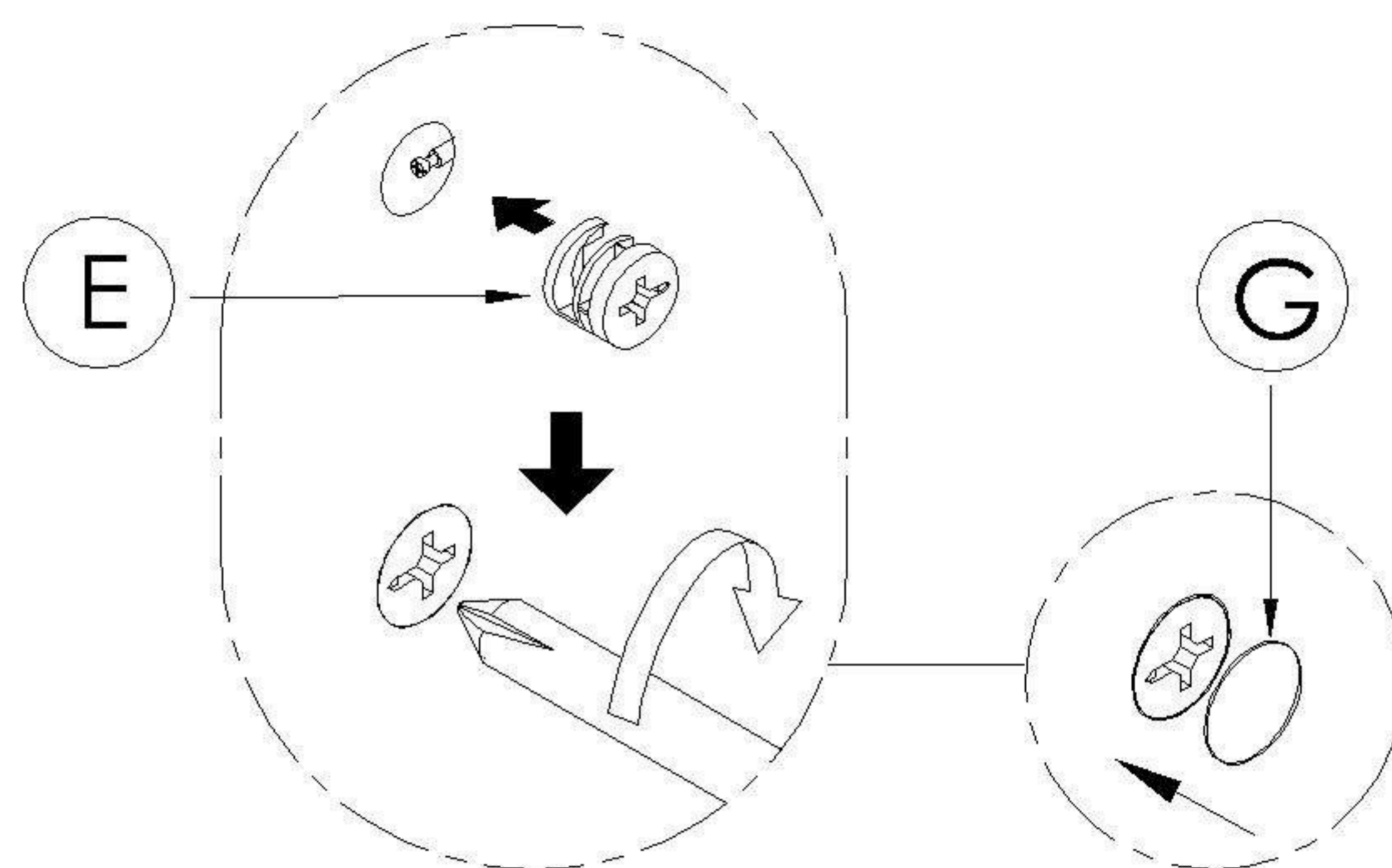


STEP 4



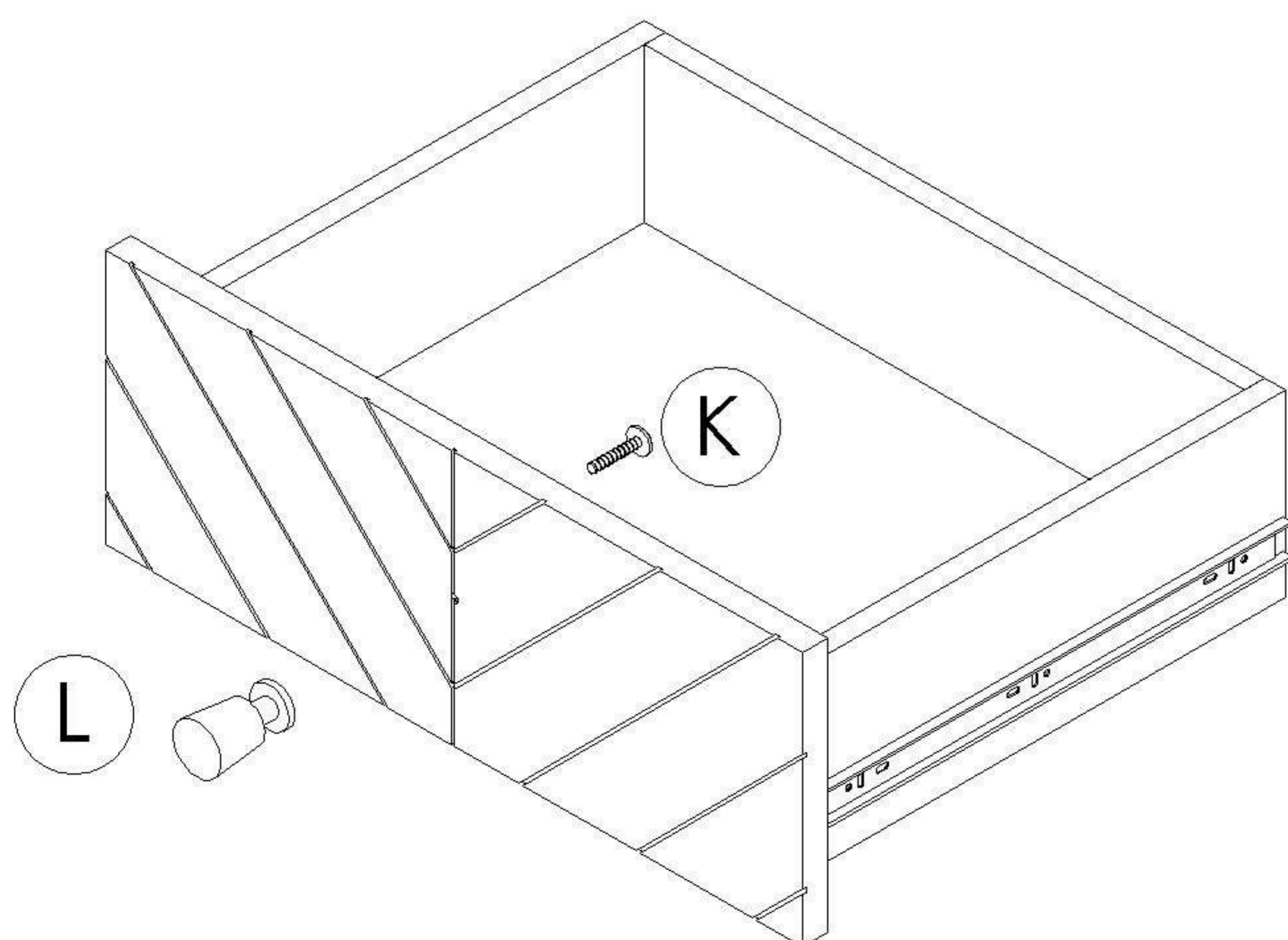
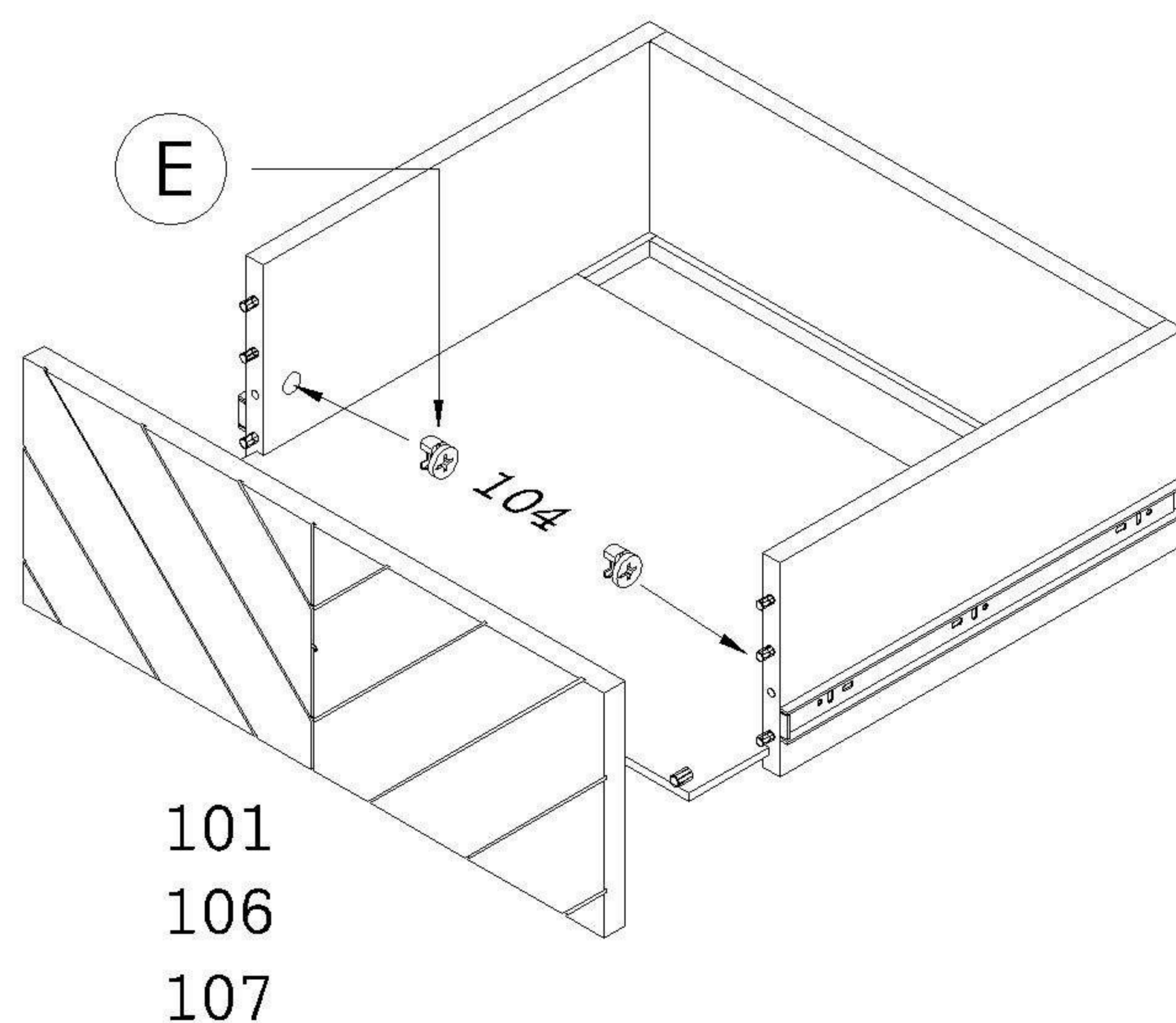
STEP 4A

- Attach Drawer Left and Drawer Right Panel (102 & 105) to Drawer Back Panel (103) via Wood Dowel (D) and Cam-Bolt (F) on each part respectively.
- Insert Cam-Lock (E) to designated hole on Drawer Back Panel (103) then turn clockwise to lock onto Cam-Bolt (F).
- Insert Cam-Lock Cover (G) to conceal Cam-Lock (E).



STEP 4B

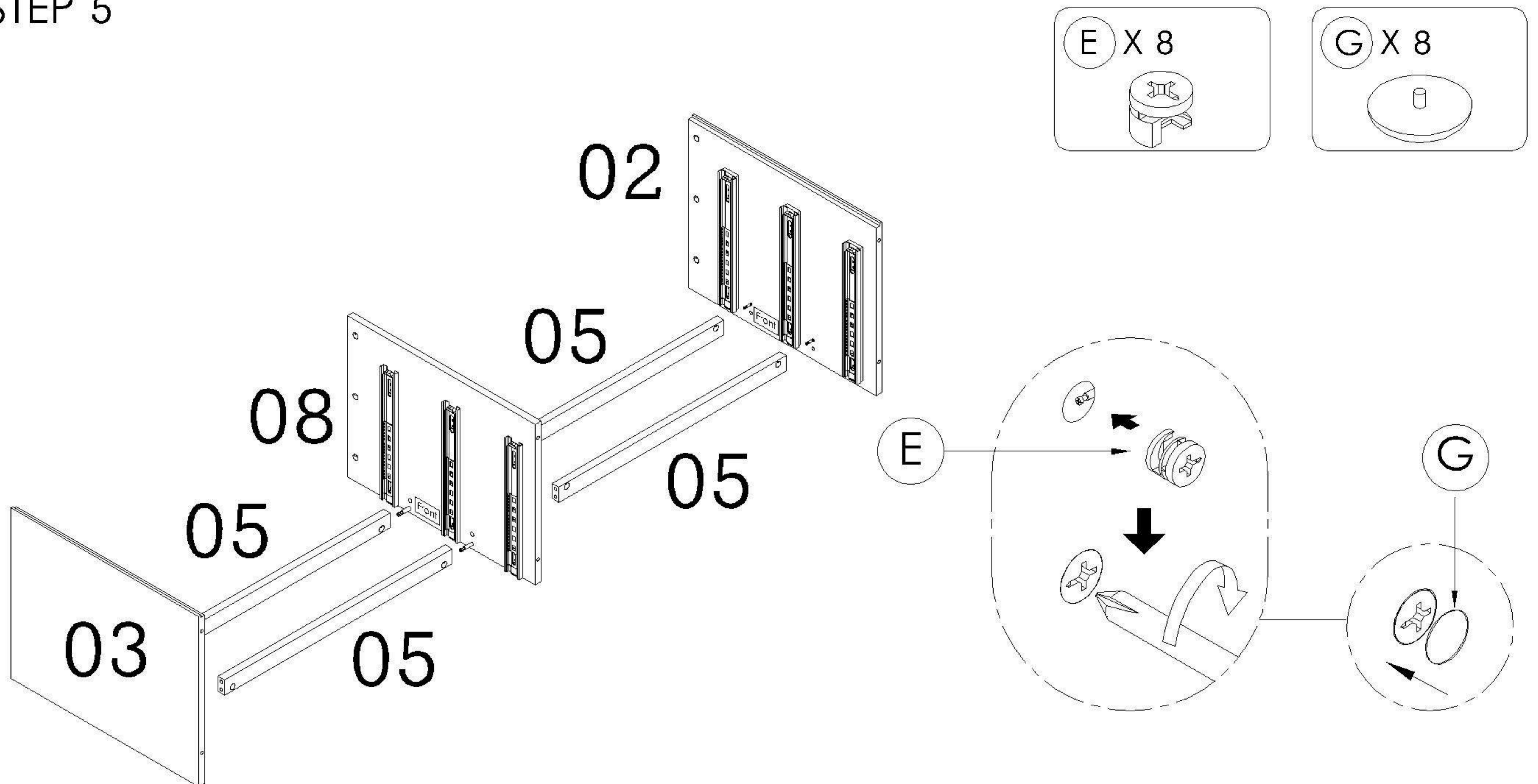
- Fit Drawer Base Panel (104) via groove on Drawer Side and Back Panel.
- Attach Top Drawer Front Panel (101), Middle Drawer Front Panel (106) & Bottom Drawer Front Panel (107) to Drawer Left & Right Panel (102 & 105) via Cam-Bolt (F) and Wood Dowel (D) on the respective parts. Check that Drawer Base Panel (104) fits into the groove on the inside face of Drawer Front Panel (101, 106 & 107).
- Insert Cam-lock (E) into designated holes on Drawer Left & Right Panel (102 & 105) and turn clockwise to lock onto Cam-bolt.
- Insert Cam-lock Cover (G) to conceal Cam-lock.



STEP 4C

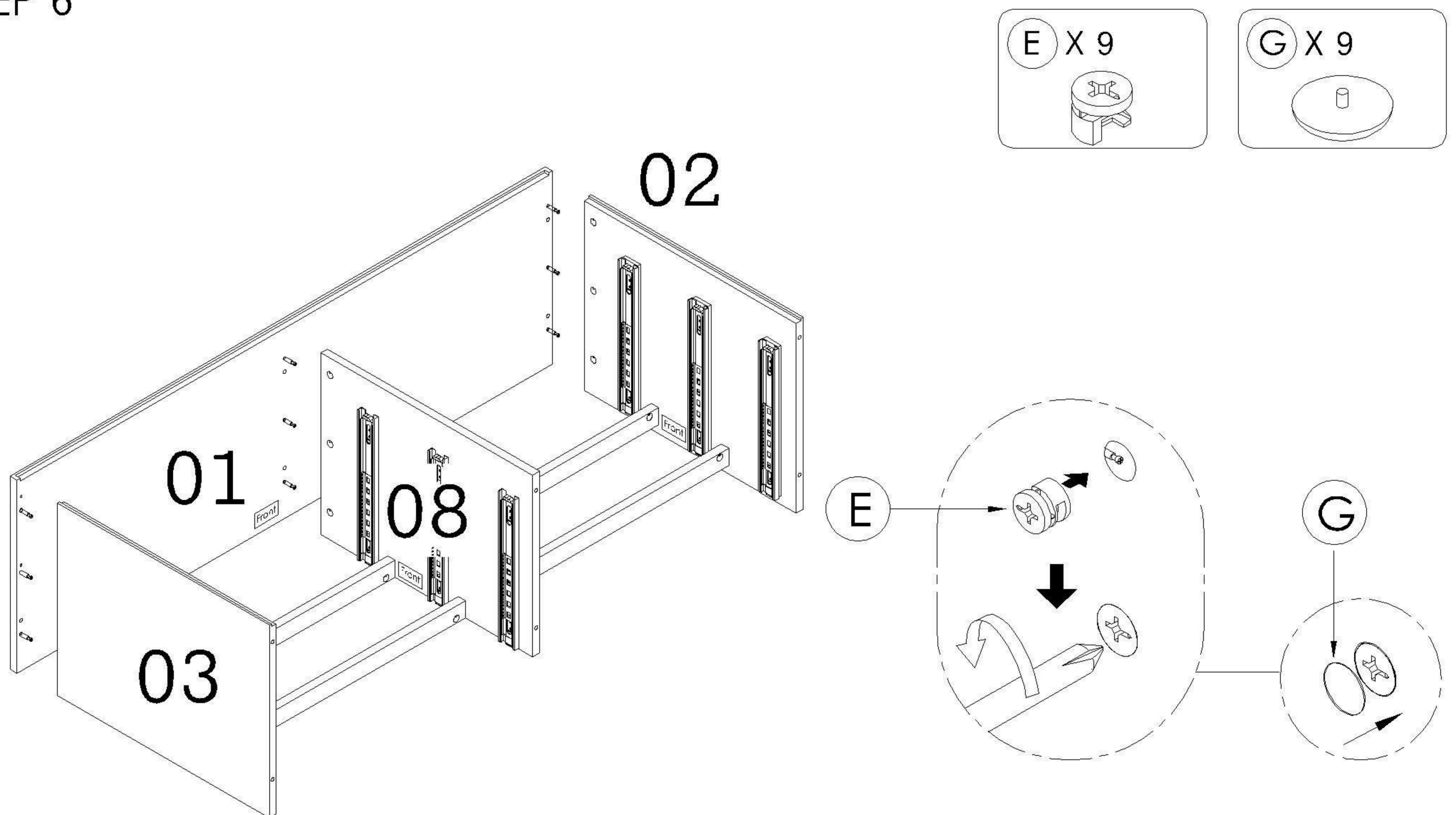
Affix Handle (L) to Top, Middle and Bottom Drawer Front Panel (101, 106 & 107) with Panhead Screw (K)

STEP 5



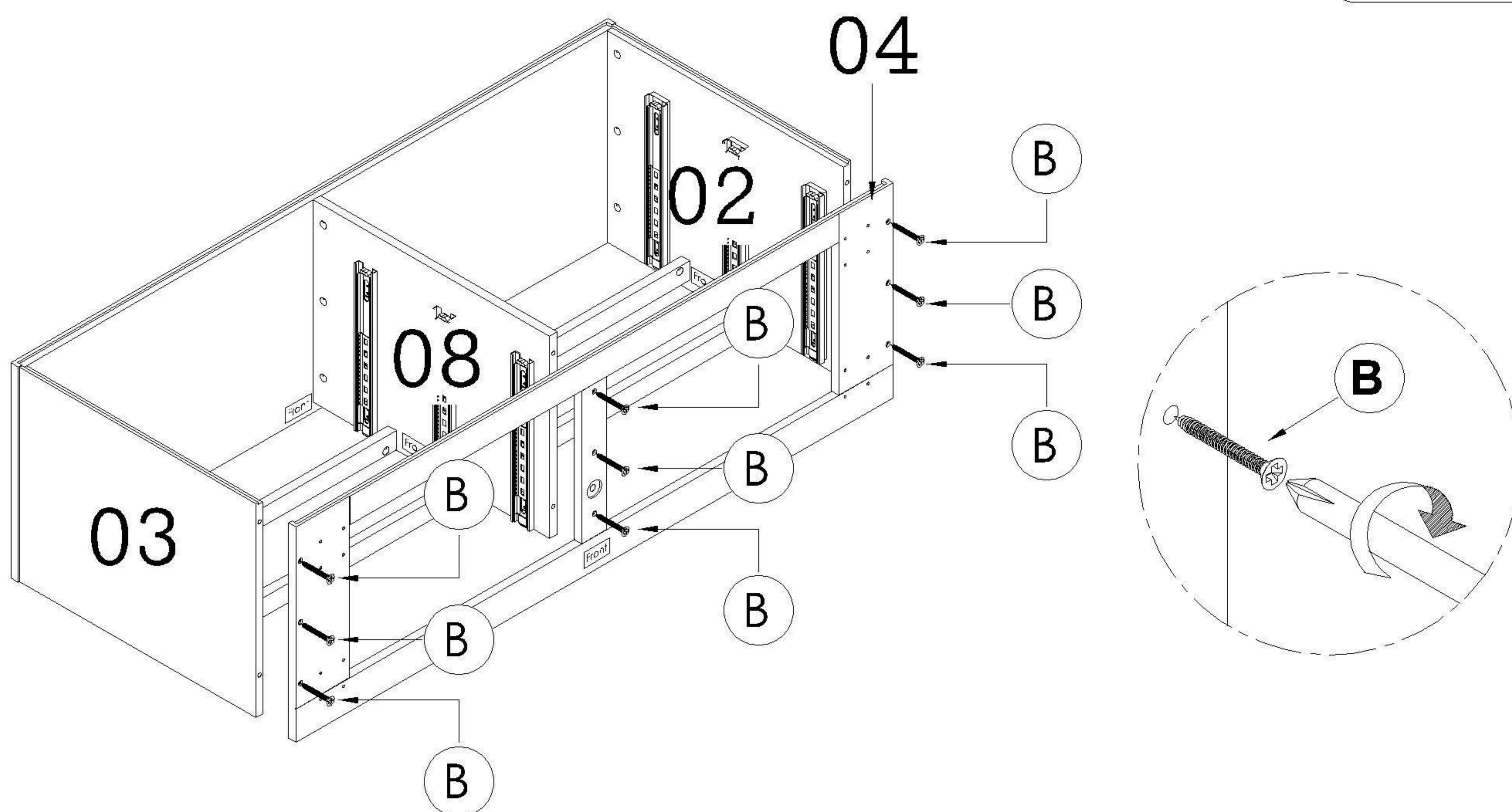
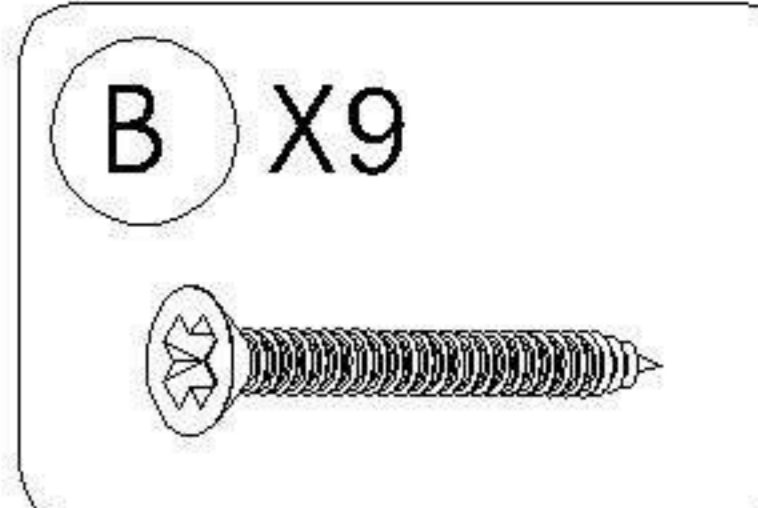
- Position the parts as shown and attach Center Rail (5) to Left & Middle Panel (2 & 8) and Right & Middle Panel (3 & 8) via Cam-bolt (F) and Wood Dowel (C) on the respective parts.
- Insert Cam-Lock (E) into designated hole on Center Bar (5), then turn clockwise to lock onto Cam-bolt (F). Refer to page 5 for instructions on inserting and tightening Cam-Lock (E).
- Insert Cam-Lock Cover (G) to cover Cam-Lock (E).

STEP 6



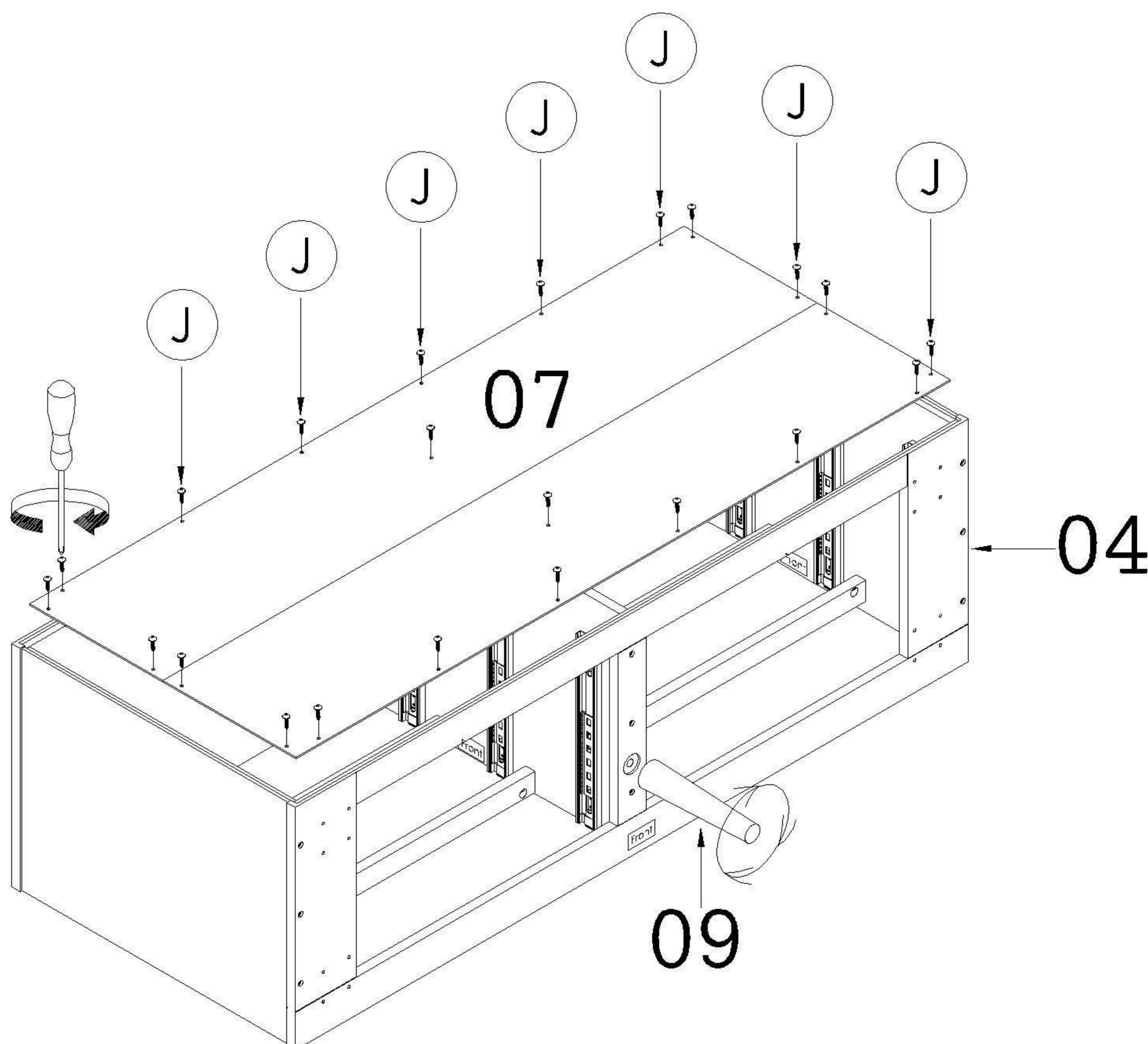
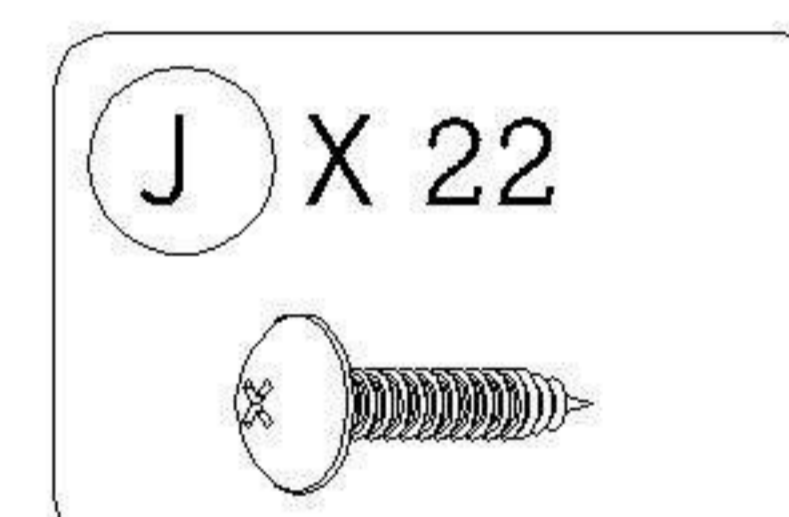
- Attach Top Panel (1) to Left & Right Panel (2 & 3) and Middle Panel (8), via Cam-Bolt (F) and Wood Dowel (C) on respective parts.
- Insert Cam-lock (E) into designated hole on (2, 3 & 8) then turn clockwise to lock onto Cam-Bolt (F).
- Insert Cam-Lock Cover (G) to cover Cam-Lock (E).

STEP 7



Use Chipboard Screw (B) to fasten/tighten Bottom Panel (4) to Left & Right Panel (2 & 3) and Middle Panel (8). Do not tighten Screw (B) completely until all the screws are in place.

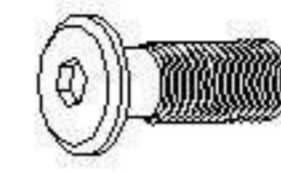
STEP 8



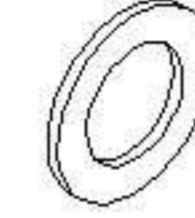
- a) Attach Back Panel (7) to assembly unit from STEP 6 as shown and fasten with Panhead Chipboard Screw (J).
- b) Screw in Support Stand (9) into the designated hole at the corner of Bottom Frame (4).

STEP 9

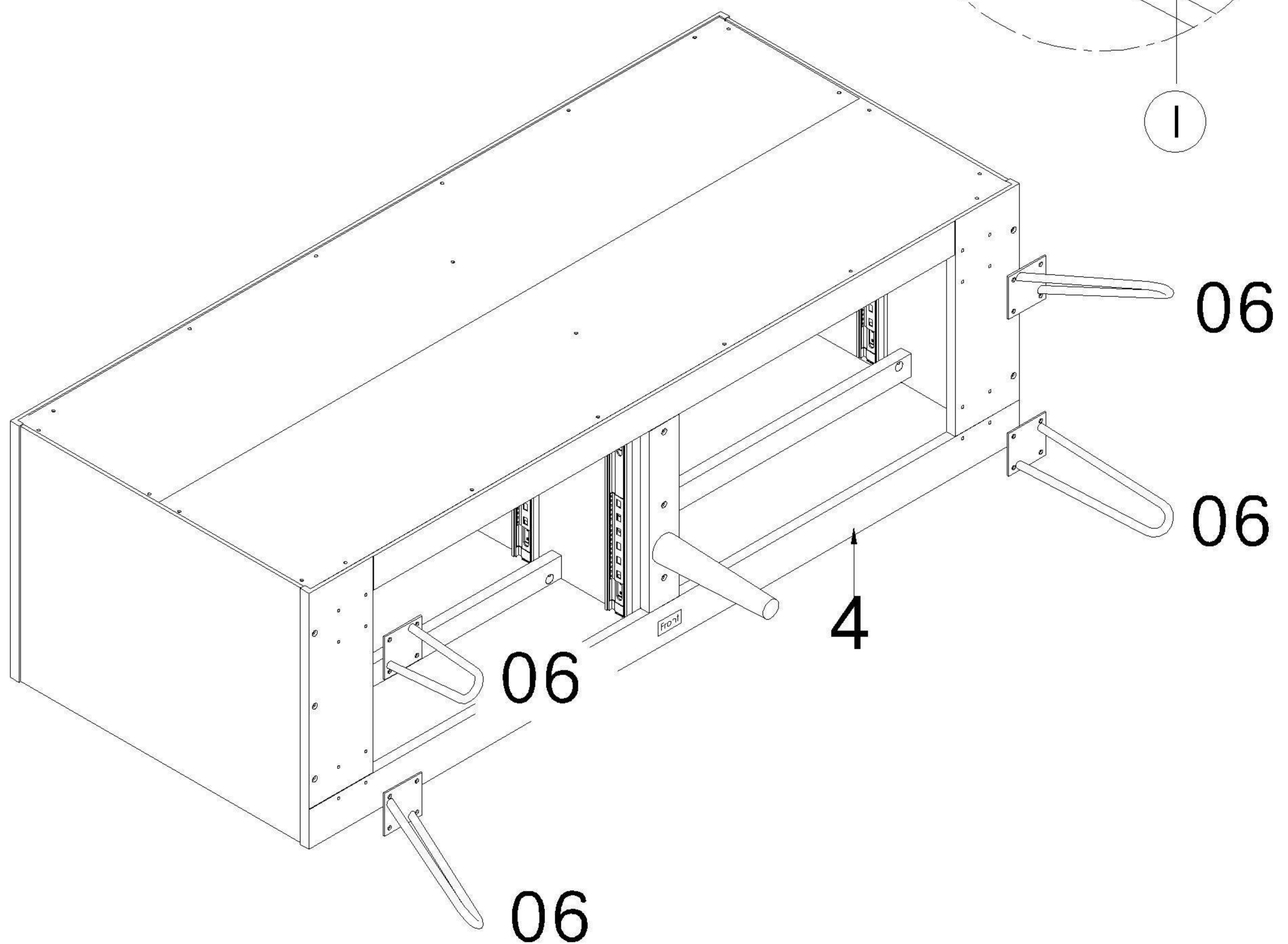
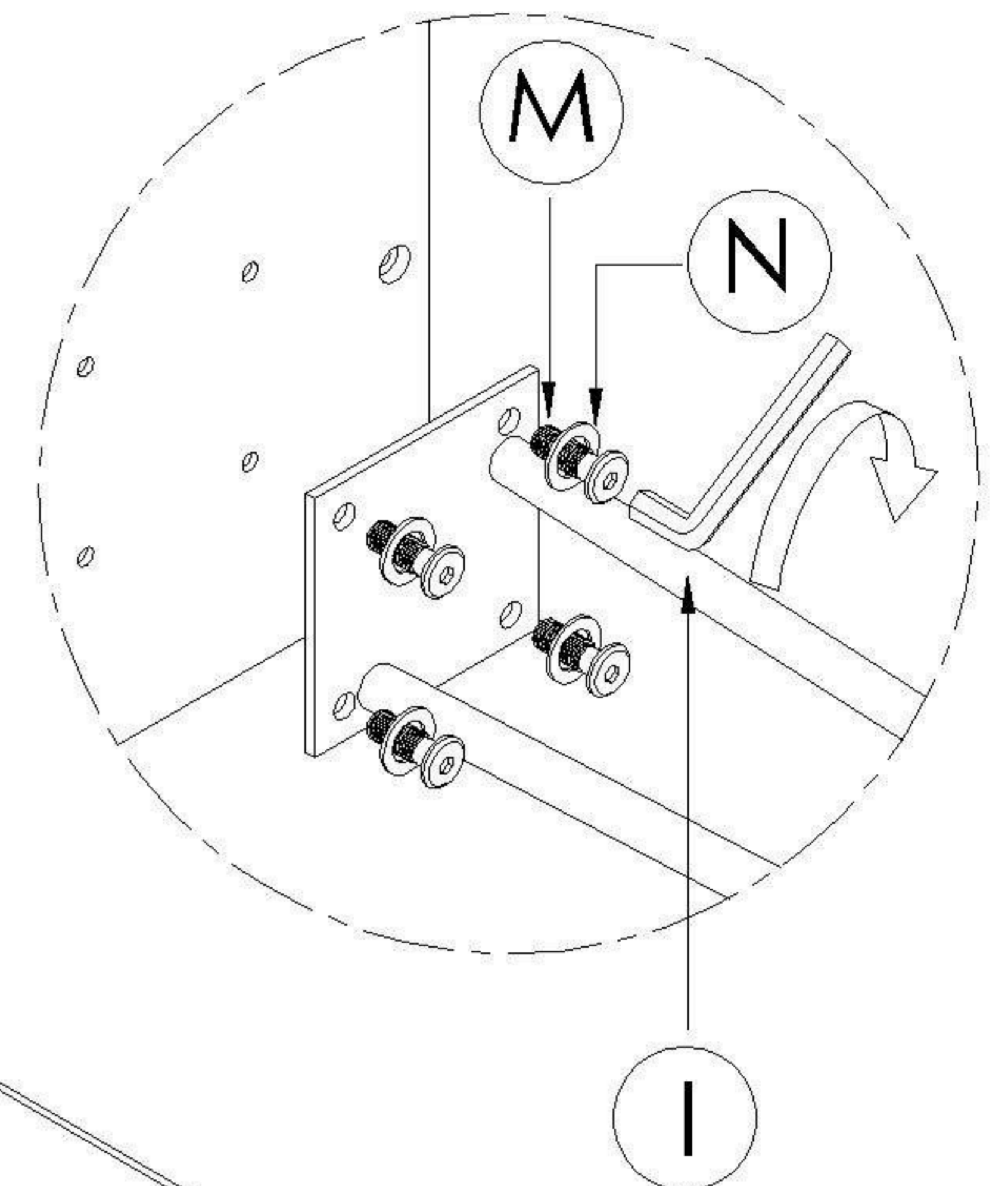
M X 16



N X 16



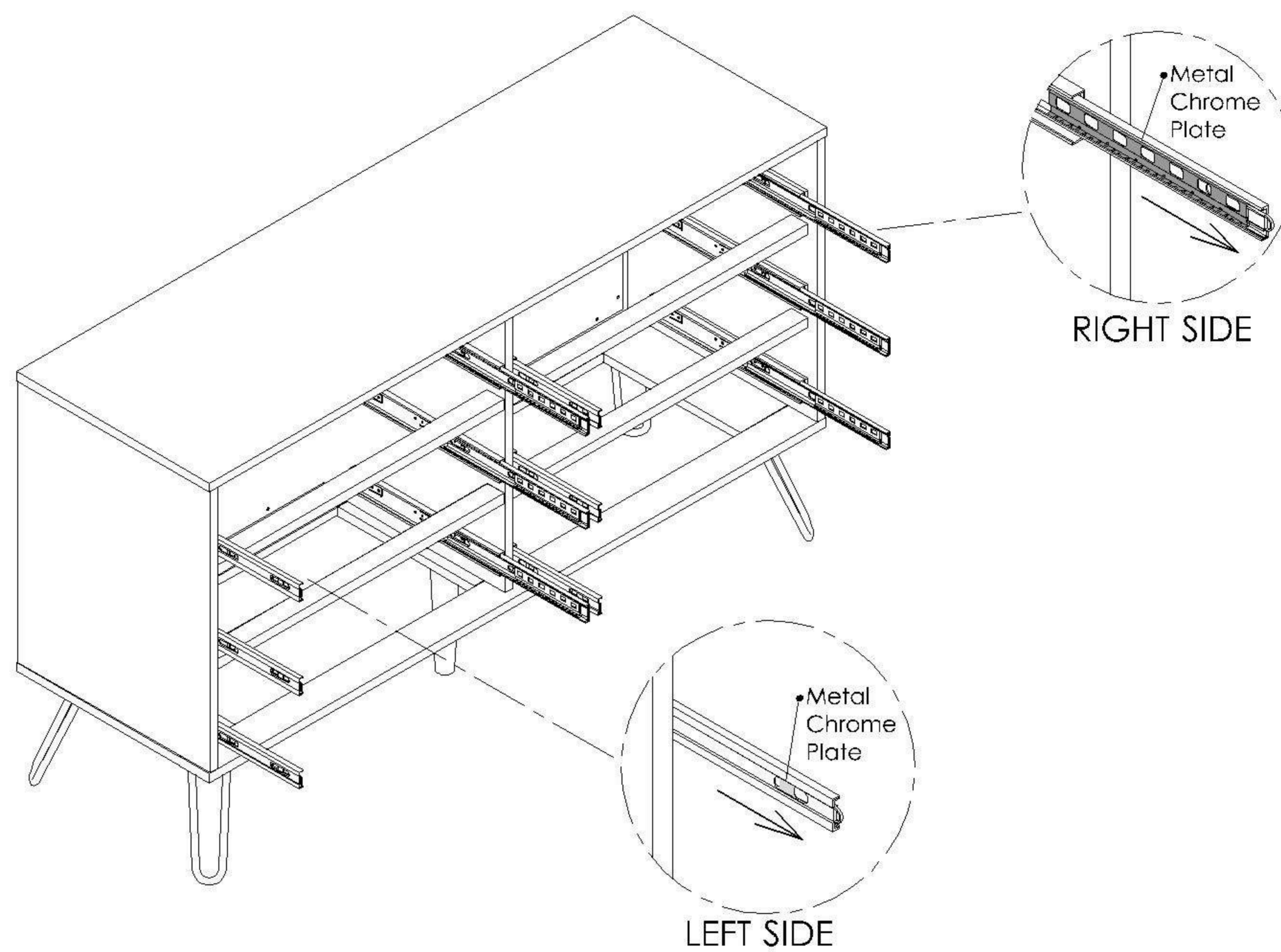
I X 1



- A. Position Metal Leg (6) to Bottom Frame (4) as shown. Check that each Leg is angled outwards. Use JCBC Screw (M), fitted with Flat Washer (N) to fasten (6). Use Allen Key (I) to Drive JCBC Screw (M). Do not tighten (M) completely until all 4 screws are in place on each leg.
- B. With assistance, Set the assembly right-side up when all the legs are installed.

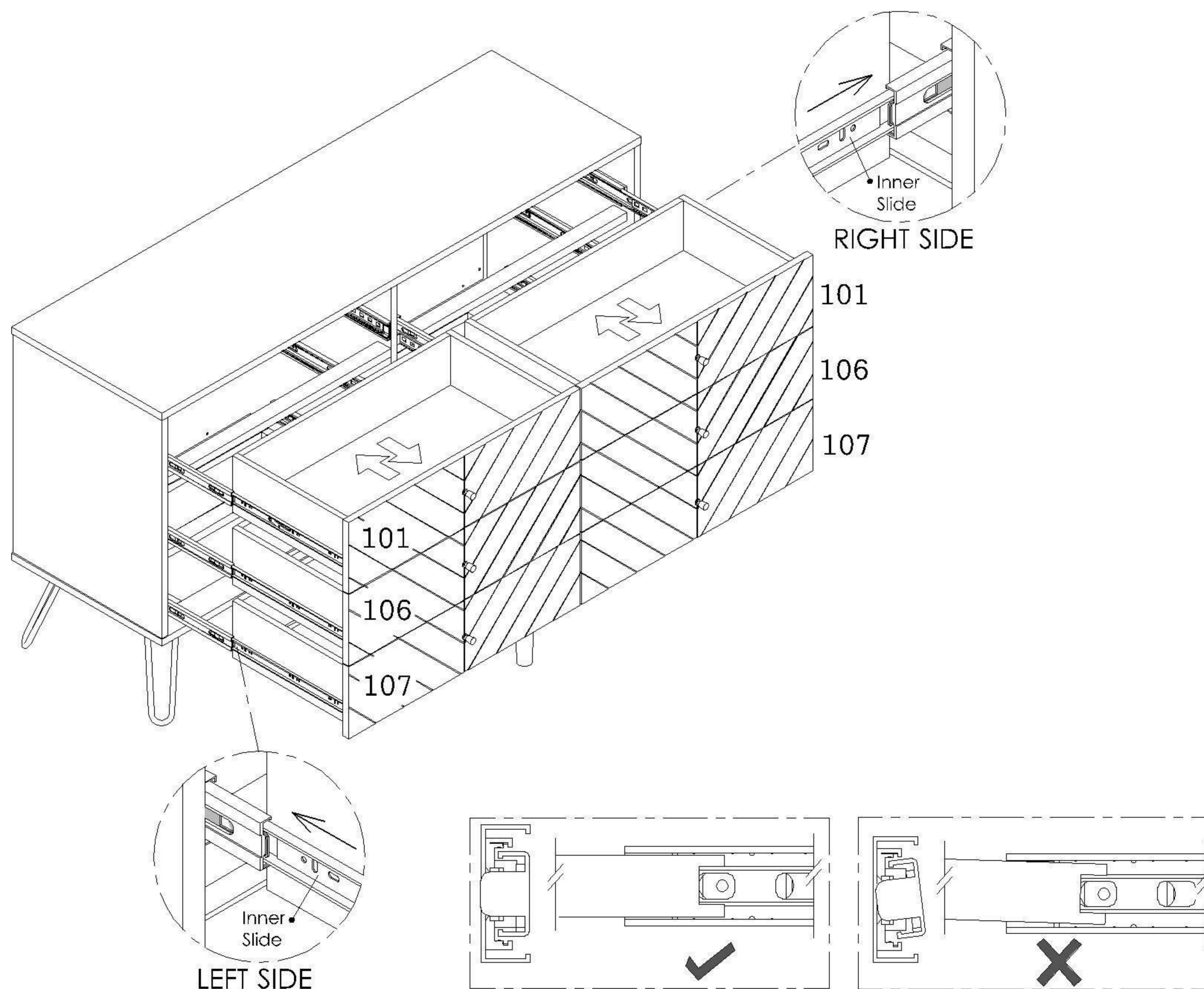
STEP 10

STEP 10A



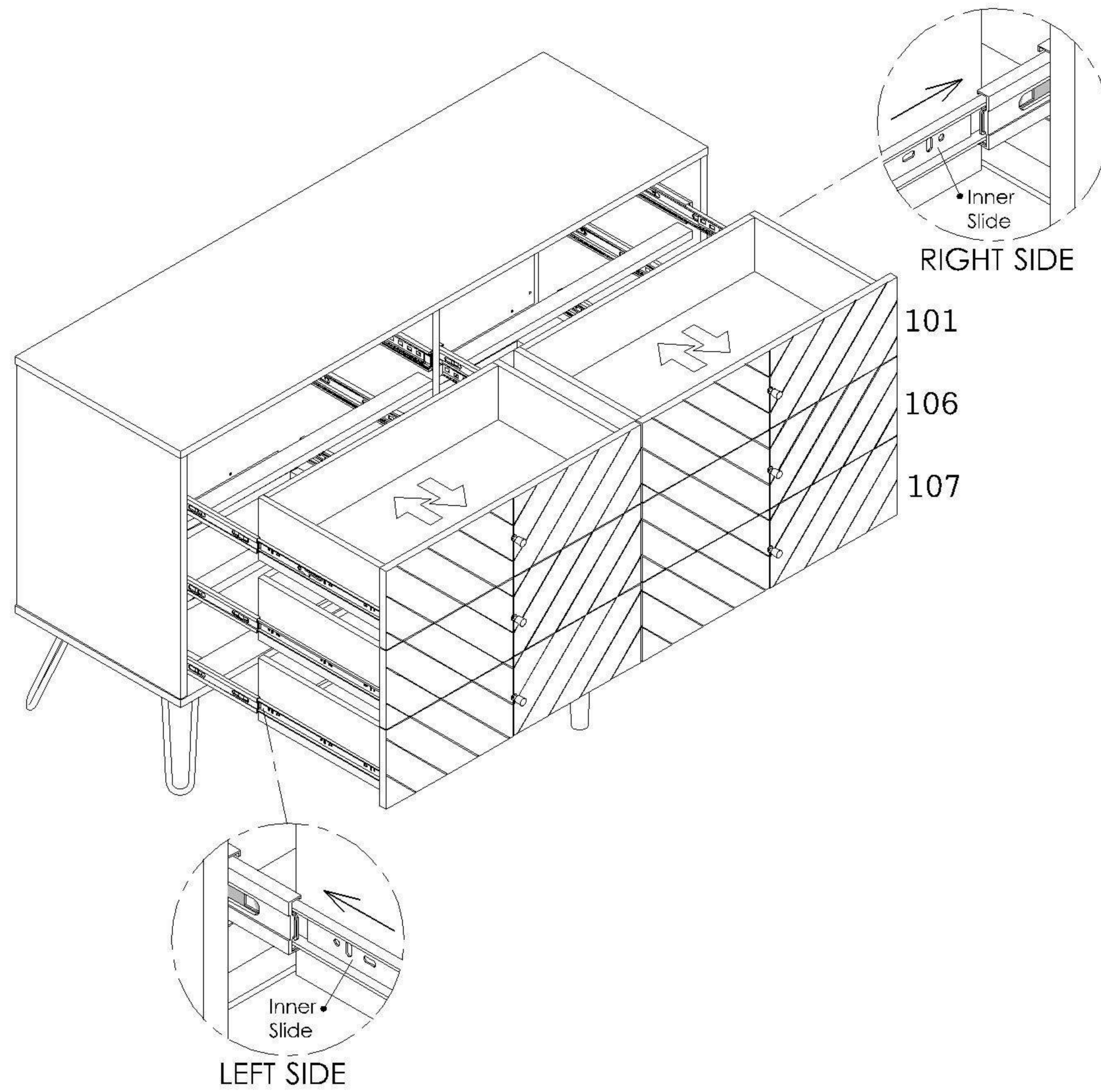
Pull Out Metal Chrome Plate on both sides of runner

STEP 10B



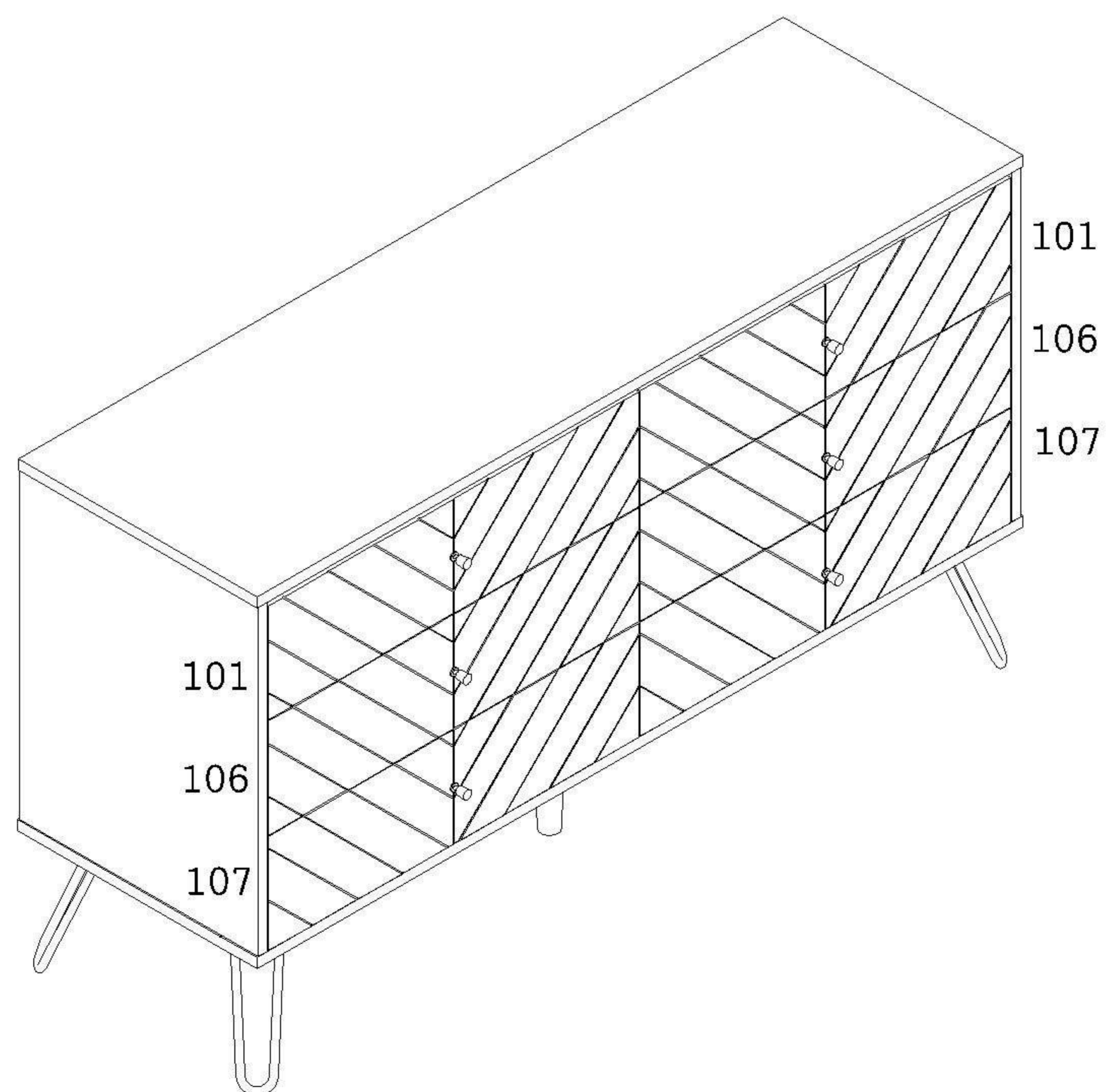
- A. Align Metal Chrome Plate and Inner Slide on one side first and thereafter on the other side .
Remove & repeat if it is not aligned properly
 - B. Slowly push the drawer box into the metal track on interior side of Side Panel
- Notes : If runner is stuck on track, slightly
pull/push drawer box

STEP 10C



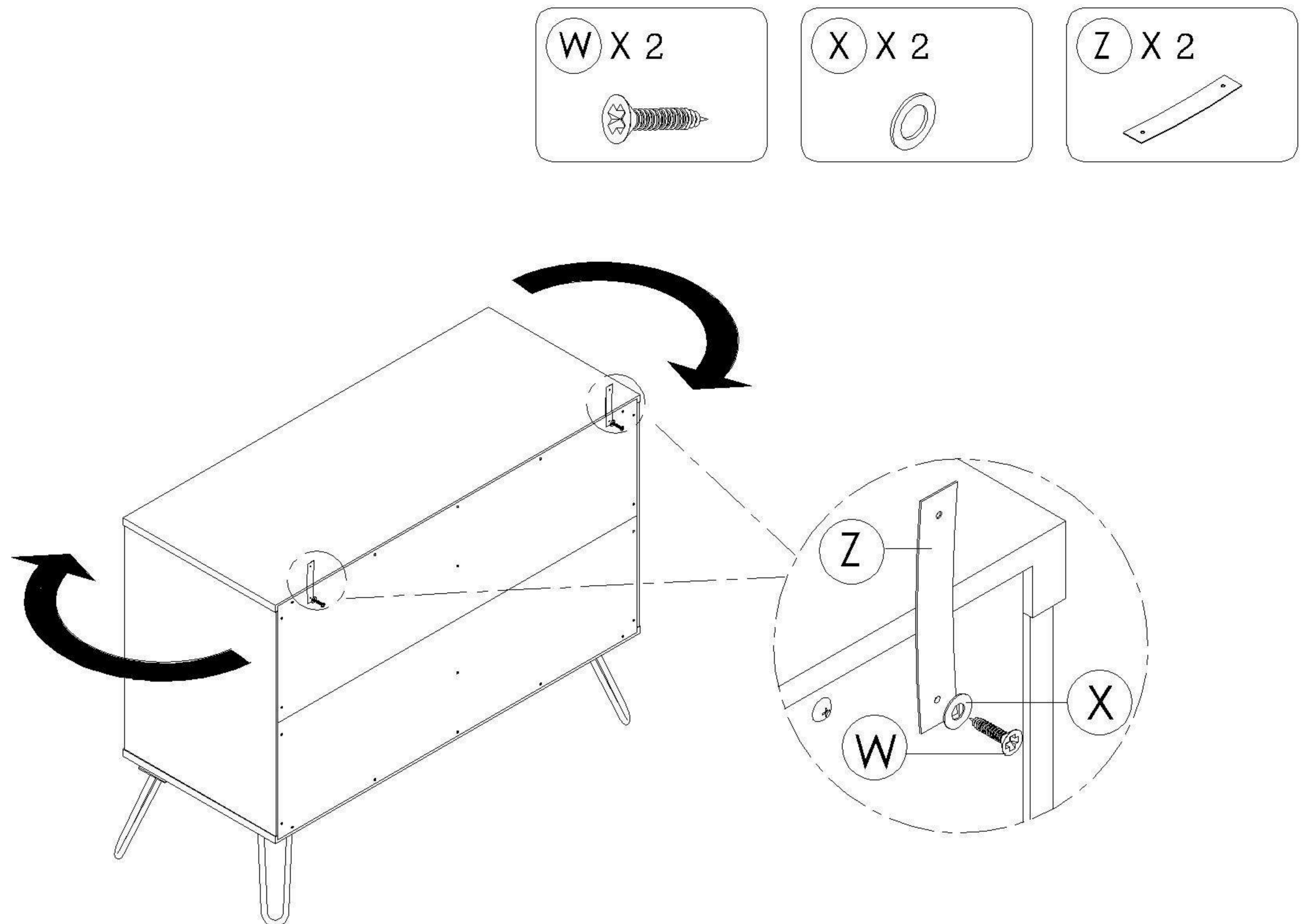
When both tracks are aligned properly, push the drawer box all the way in.

STEP 10D

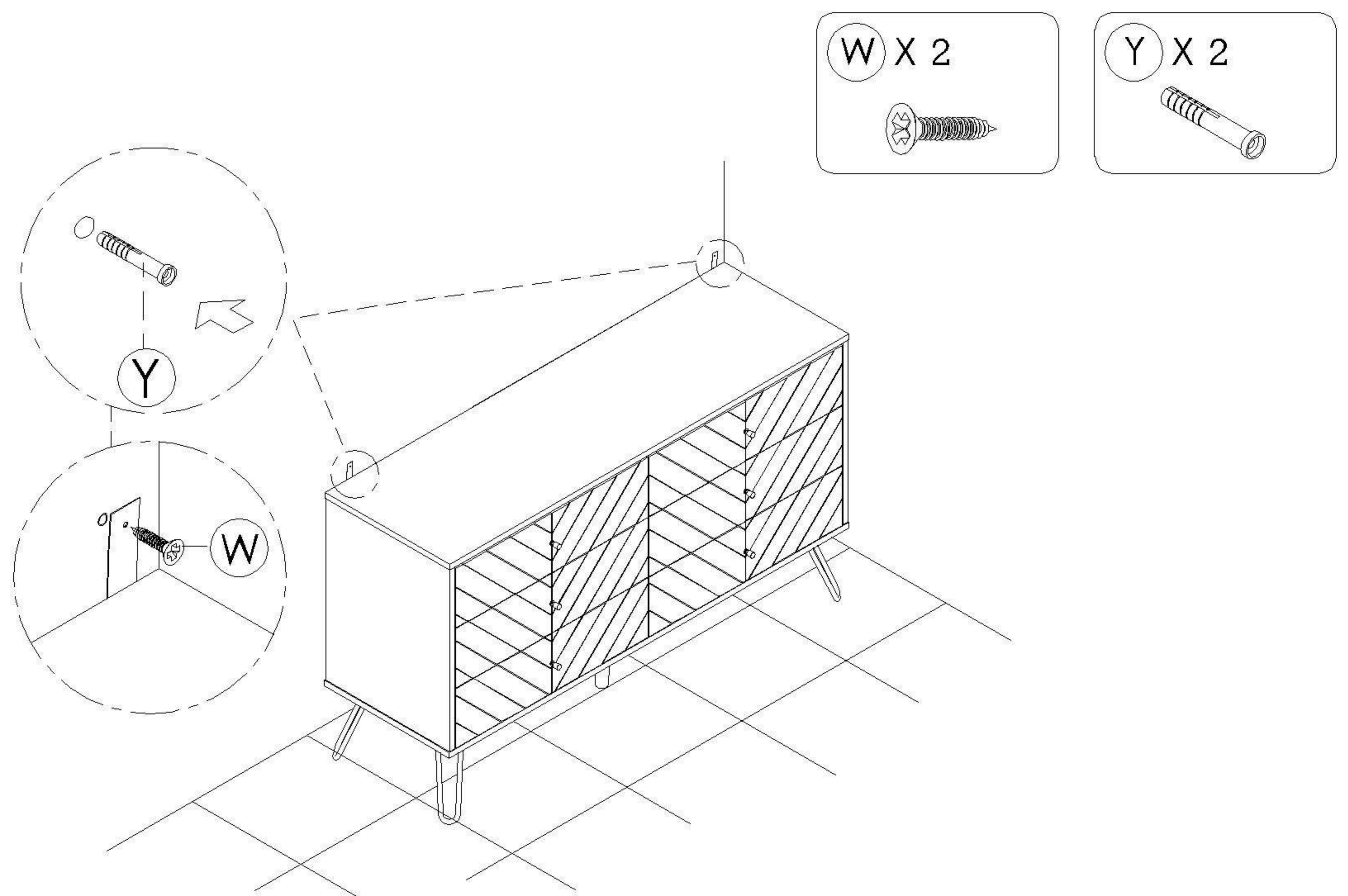


Drawers should be assembled as follows

STEP 11



a) Use Screw (W) fitted with Flat Washer (X) to fasten one end of Safety Strap (Z) to the Back Panel.



- Select the location to place the unit. Mark the 2 spots to tether the Safety Strap to the wall.
- On each marked spot, drill a hole in the dry wall to fit Anchor (Y) snugly and insert (Y). Ensure that the anchor fits securely in the wall.
- Affix the Strap to the anchor by using Screw (W).

The assembly of the buffet unit is complete.