

## Base Unit Installation Instructions (all sizes)

For installations using units, please refer to directions included with those products. Video guides, spec sheets, and additional support are available.

### Parts List

- (2) Steel Wine Wall Brackets
- ES Wine Rods (quantity varies by configuration)
- ES Screws (2 per rod)
- (1) 5mm Allen key
- (4 or 6) M6 Toggle Bolts
- (4 or 6) Wood screws

### Required Tools

- Measuring tape
- Pencil
- 4' level
- Drill
- 5/8" Paddle drill bit
- 5/64" drill bit
- A handy friend

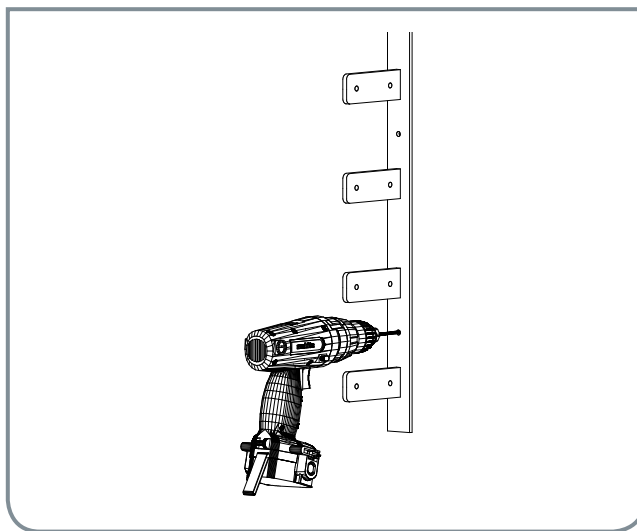
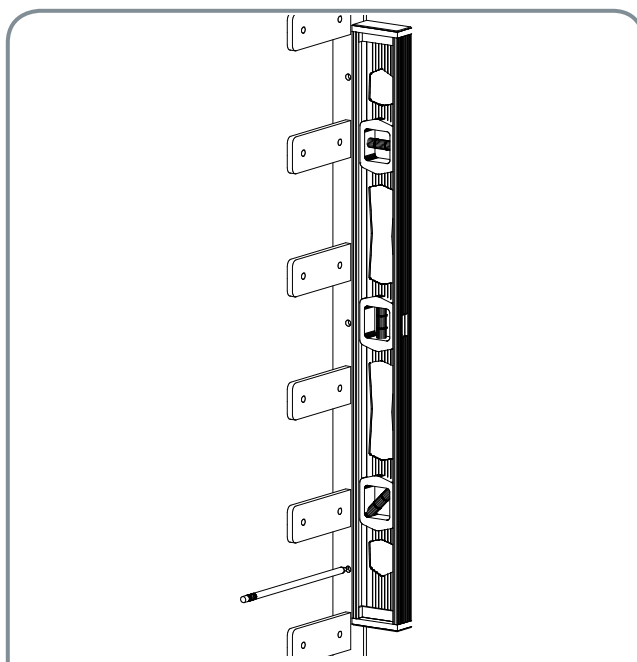
## Step 1: Plot Mounting Holes

Position one Wine Wall Steel Bracket in desired place on the wall — leaving a minimum of 1" clearance from adjacent walls or obstructions — and mark locations of the mounting holds. Ensure bracket is plumb by using a level. Plot the mounting holes for the second bracket by measuring 39-9/16"\* from the first brackets' top mounting hole. Use a level to be sure that the marks are aligned.

## Step 2: Drill Mounting Holes

Using the smaller drill bit, drill a pilot hole to determine if drywall or wood hardware is needed for installation. If the surface is determined to be wood, drill remaining pilot holes at the marked locations and move to step 3. If it is determined to be drywall, use the 5/8" paddle drill bit to drill holes in marked locations.

*Note: For concrete, brick or stucco we recommend 3/16" x 1-1/4" masonry screw (sold separately).*



## Instructions

### Step 3: Build the Wine Wall

Insert one Evolution Screw through the support fin on the Wall Bracket. Thread one Evolution Rod onto the Evolution Screw and fully tighten with provided 5mm allen key. Repeat for all support fins on both Wall Brackets.

### Step 4a: Mount the Wine Wall (drywall)

Disassemble provided toggle bolts, removing each expanding nut. Insert the bolt through the mounting hole on the wall bracket. With the wings of the expanding bolt oriented toward the bolt head, thread the nut onto the bolt until it begins to protrude from the nut by 1/2". Repeat for remaining mounting holes.

Close the wings of the expanding nuts and gently push through the drywall hole until the wings open behind the drywall. Repeat for all mounting points then tighten the bolt using care to not over-tighten and to maintain level for the unit.

### Step 4b: Mount the Wine Wall (wood)

With the assembled Wine Wall held in final mounting position. use provided wood screws to fasten the Wall Brackets to the wall. Be sure to check the unit remains plumb using a level.

### Step 5: Add wine.

Only the good stuff.

