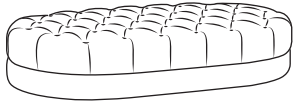
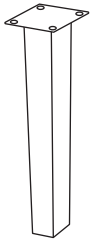


ASSEMBLY INSTRUCTION

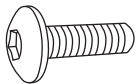
(1) ×1



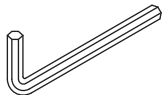
(2) ×6



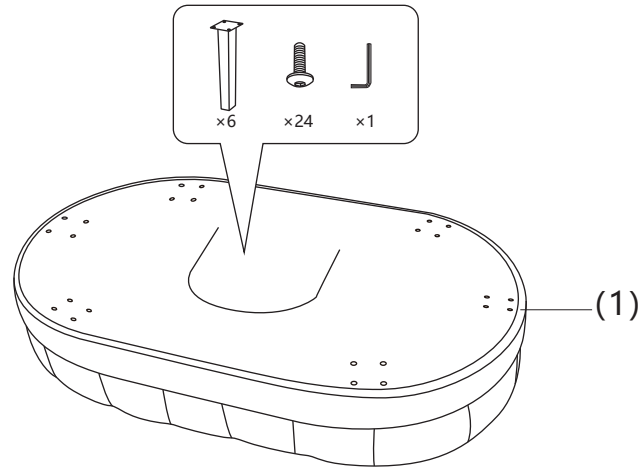
(3) ×24



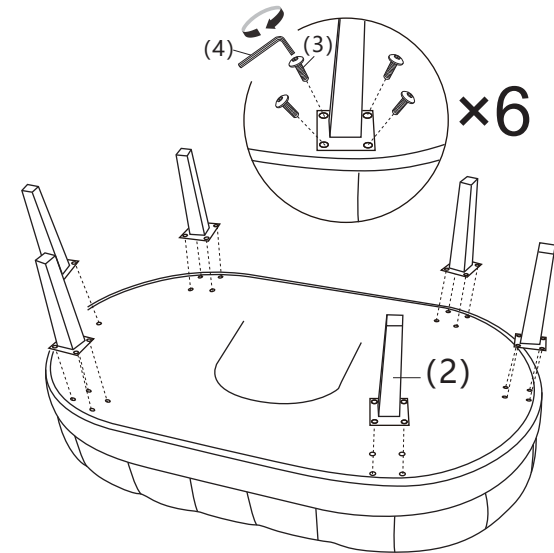
(4) ×1



①



②



③

