



## ASSEMBLY INSTRUCTIONS COASTER FINE FURNITURE



*Fine Furniture for every stage of life*

# 204191Q(B1&B2) *Queen Bed*

REVISION 0 : 02/26/2017  
REVISION 1 : 12/17/2017  
REVISION 2 : 06/04/2019

# ITEM: 204191Q(B1&B2)



## ASSEMBLY INSTRUCTIONS

### ASSEMBLY TIPS:

- 1 . Remove hardware from box and sort by size.
- 2 . Please check to see that all hardware and parts are present prior to start of assembly.
- 3 . Please follow attached instructions in the same sequence as numbered to assure fast & easy assembly.



### WARNING !

- 1 . Don't attempt to repair or modify parts that are broken or defective. Please contact the store immediately.
- 2 . This product is for home use only and not intended for commercial establishment.



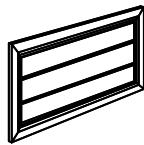
ASSEMBLY TIME

30 MINUTES

## PARTS IDENTIFICATION

### B1 (BOX 1)

A HEADBOARD PANEL



1PC

B RIGHT HEADBOARD LEG



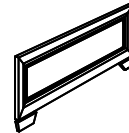
1PC

C LEFT HEADBOARD LEG



1PC

D FOOTBOARD



1PC

E BED SLAT



4PCS

F BED SLAT SUPPORT WITH LEVELER



4PCS

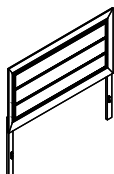
### B2 (BOX 2)

G BED RAIL



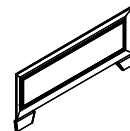
2PCS

HB 204191Q (B1)  
(FROM BOX 1)  
HEADBOARD COMPLETE



1PC

D 204191Q (B1)  
(FROM BOX 1)  
FOOTBOARD



1PC

# ITEM: 204191Q(B1&B2)

## ASSEMBLY INSTRUCTIONS

### ASSEMBLY TIPS:

- 1 . Remove hardware from box and sort by size.
- 2 . Please check to see that all hardware and parts are present prior to start of assembly.
- 3 . Please follow attached instructions in the same sequence as numbered to assure fast & easy assembly.



### WARNING !

- 1 . Don't attempt to repair or modify parts that are broken or defective. Please contact the store immediately.
- 2 . This product is for home use only and not intended for commercial establishment.



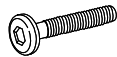
ASSEMBLY TIME

30 MINUTES

## HARDWARE IDENTIFICATION

### Z-B1 (BOX1) - HARDWARE PACK IS LOCATED IN 204191Q (B1)

1 BOLT  
(M6 x30mm - BLK)



6PCS

4 FLAT HEAD SCREW  
(M4 x 32mm - RBW)



8PCS

2 LOCK WASHER  
(1/4" - BLK)



6PCS

5 SMALL ALLEN  
WRENCH  
(M4 x 65mm - BLK)



1PC

3 FLAT WASHER  
(1/4" x13mm - BLK)



6PCS

6 BIG ALLEN  
WRENCH  
(M5 x 65mm - BLK)



1PC

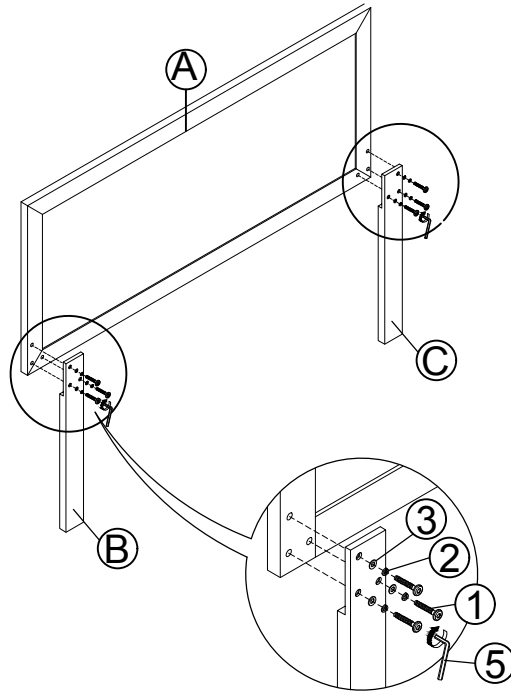
### NOTE:

Phillips head screw driver in the assembly process ; however, manufacturer does not provide the item

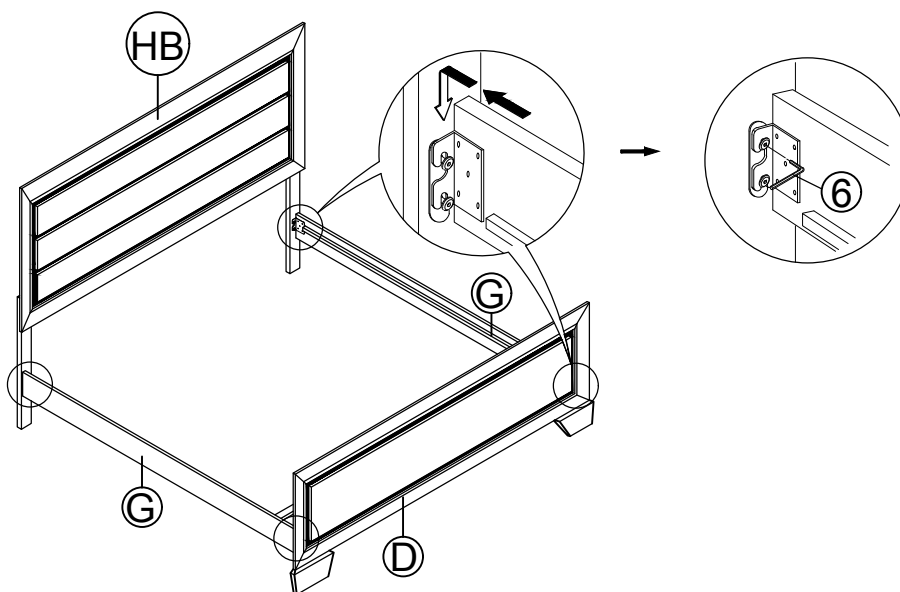
ITEM: **204191Q(B1&B2)**  
**ASSEMBLY INSTRUCTIONS**



**STEP 1**



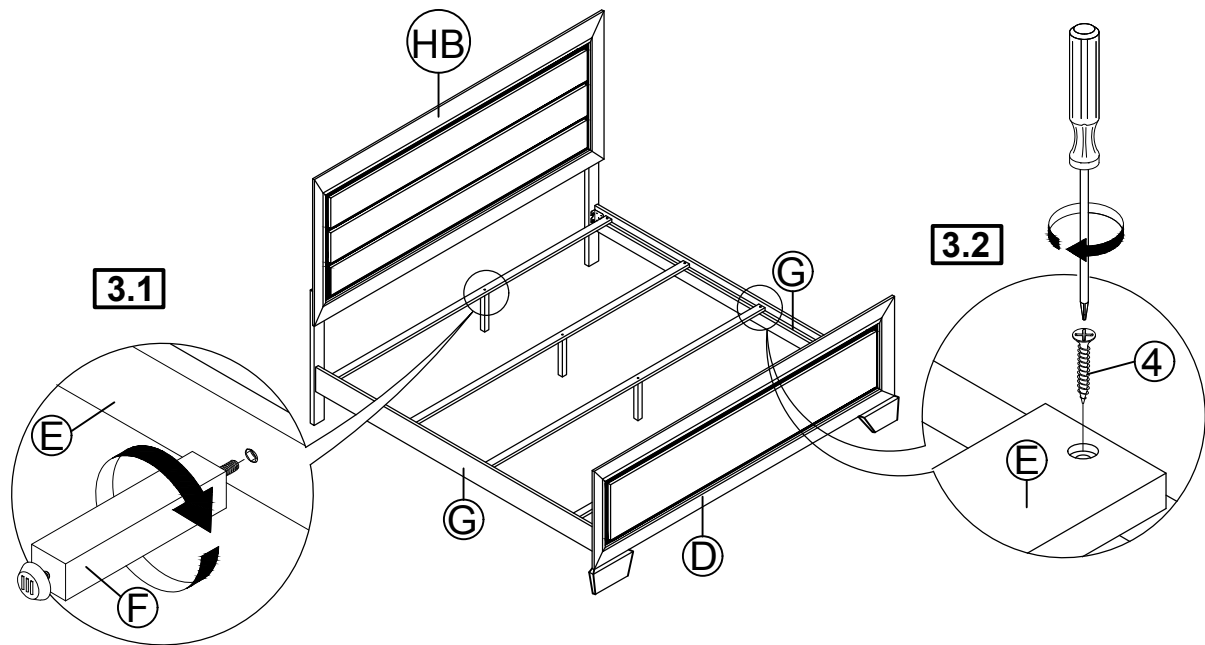
**STEP 2**



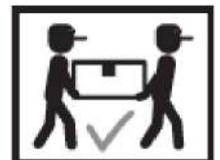
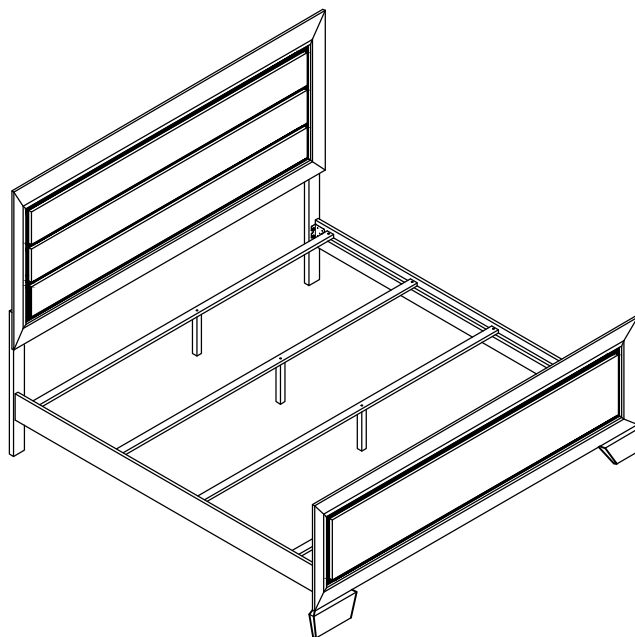
ITEM: **204191Q(B1&B2)**  
**ASSEMBLY INSTRUCTIONS**



**STEP 3**



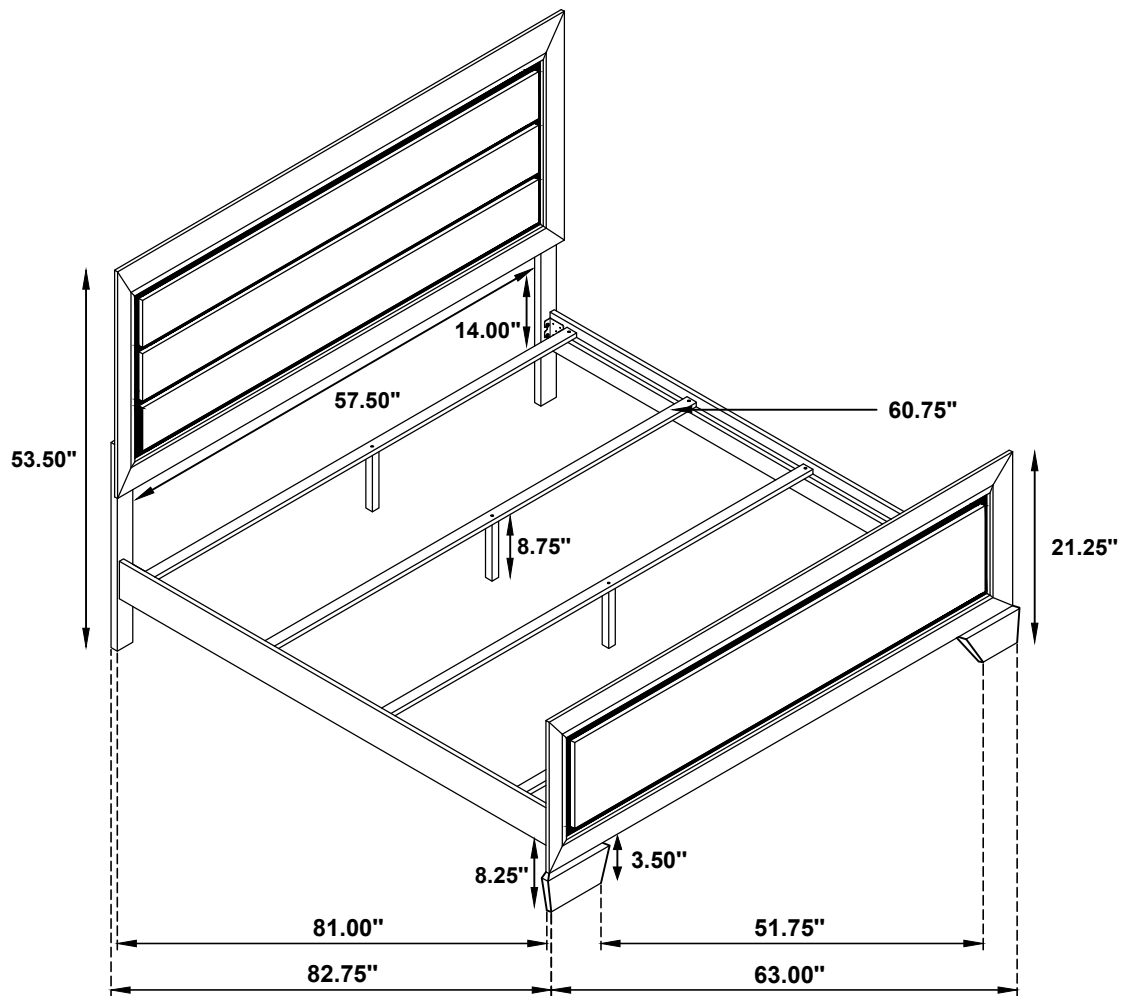
**STEP 4**  
**COMPLETE**



# ITEM: 204191Q(B1&B2)



Inner Size : 61.00"W X 81.00"D



Note: Dimension tolerance  $\pm 5\%$



## ASSEMBLY INSTRUCTIONS COASTER FINE FURNITURE



*Fine Furniture for every stage of life*

**204192**  
***Nighstand***

REVISION 0 : 06/17/2015  
REVISION 1 : 12/17/2017  
REVISION 2 : 06/04/2019

PAGE 1 OF 4

COASTERFURNITURE.COM

ITEM: **204192**



## ASSEMBLY INSTRUCTIONS

### ASSEMBLY TIPS:

- 1 . Remove hardware from box and sort by size.
- 2 . Please check to see that all hardware and parts are present prior to start of assembly.
- 3 . Please follow attached instructions in the same sequence as numbered to assure fast & easy assembly.



### WARNING !

- 1 . Don't attempt to repair or modify parts that are broken or defective. Please contact the store immediately.
- 2 . This product is for home use only and not intended for commercial establishment.



ASSEMBLY TIME

20 MINUTES

## PARTS IDENTIFICATION

A NIGHTSTAND



1PC

D RIGHT BACK LEG  
(WITH BR LABEL)



1PC

B RIGHT FRONT LEG  
(WITH FR LABEL)



1PC

E LEFT BACK LEG  
(WITH BR LABEL)



1PC

C LEFT FRONT LEG  
(WITH FR LABEL)



1PC

## HARDWARE IDENTIFICATION

1 BOLT  
(M6 x 35mm - BLK)



8PCS

3 FLAT WASHER  
(1/4" x 20mm - BLK)



8PCS

2 LOCK WASHER  
(1/4" - BLK)



8PCS

4 ALLEN WRENCH  
(M4 x 65mm - BLK)



1PC

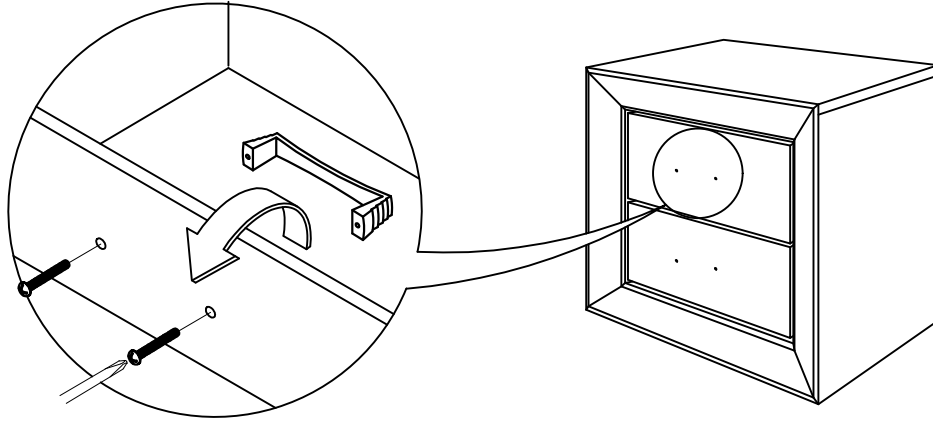
### NOTE:

Philips head screw driver in the assembly process; however, manufacturer does not provide the item

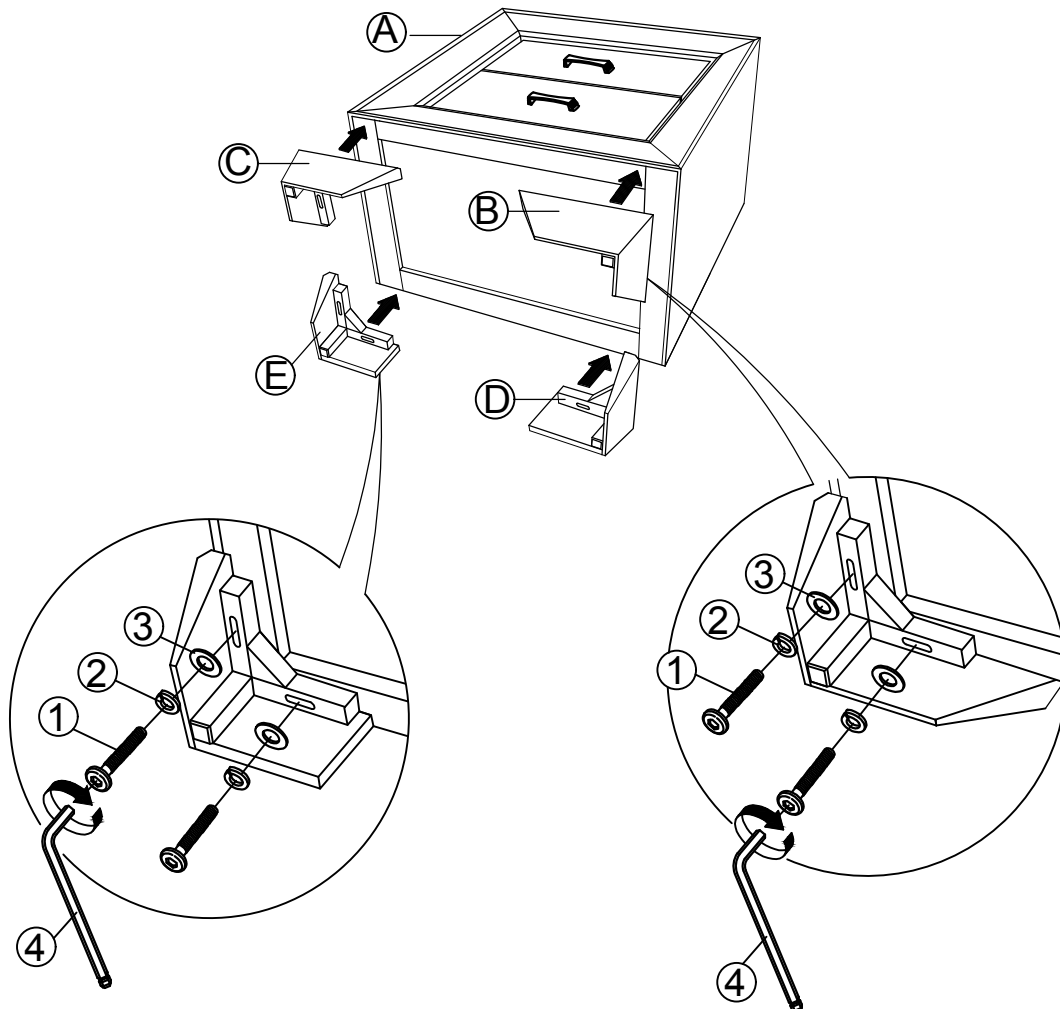
ITEM: **204192**  
**ASSEMBLY INSTRUCTIONS**



**STEP 1**



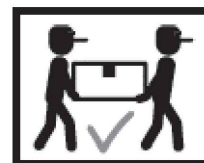
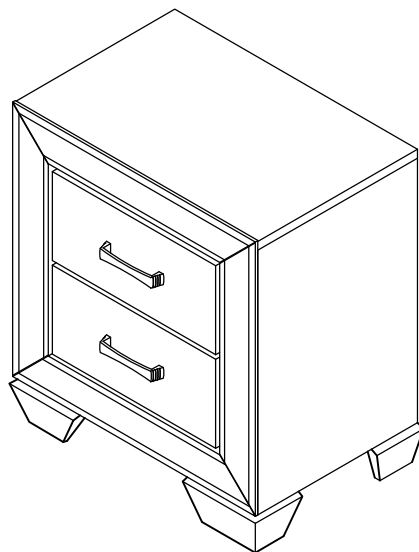
**STEP 2**



ITEM: **204192**  
**ASSEMBLY INSTRUCTIONS**



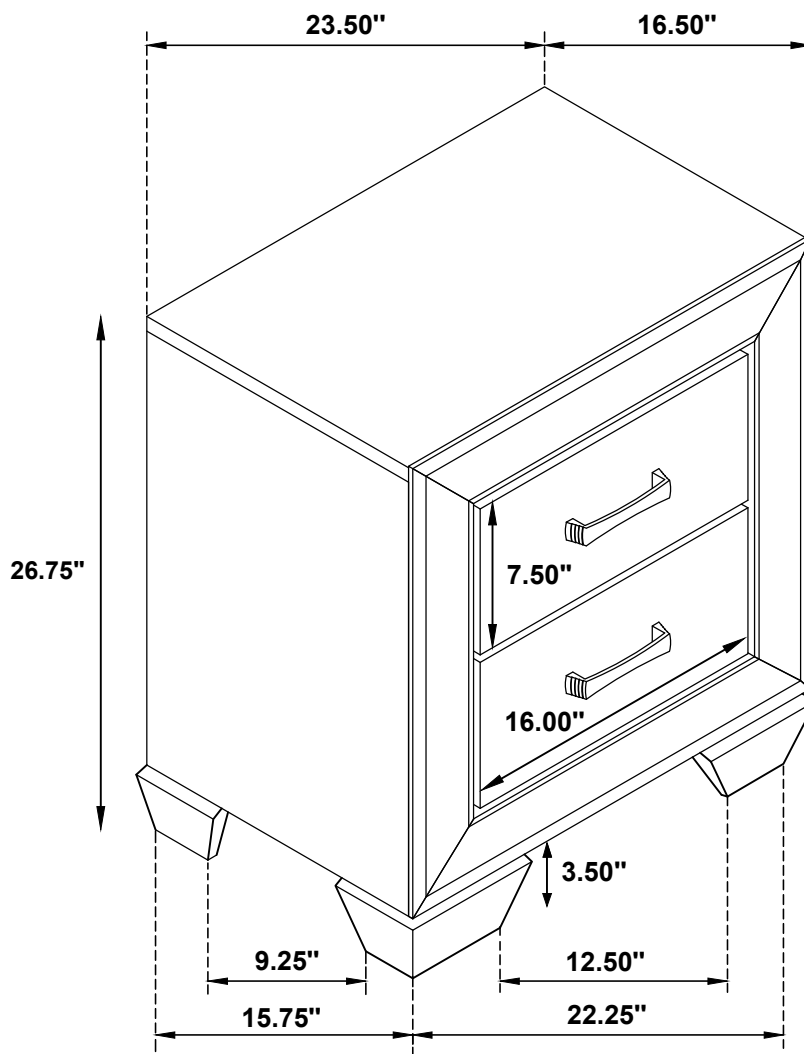
**STEP 3**  
**COMPLETE**



ITEM: **204192**



Inner Size Of Drawer : 12.75"W X 12.75"D X 5.00"H X 0.25"T



Note : Dimension tolerance  $\pm 5\%$



## ASSEMBLY INSTRUCTIONS COASTER FINE FURNITURE



*Fine Furniture for every stage of life*

**204193**  
**Dresser**

REVISION 0 : 06/17/2015  
REVISION 1 : 12/17/2017  
REVISION 2 : 06/04/2019  
REVISION 3 : 10/09/2024

PAGE 1 OF 5

COASTERFURNITURE.COM

# ITEM: 204193



## ASSEMBLY INSTRUCTIONS

### ASSEMBLY TIPS:

- 1 . Remove hardware from box and sort by size.
- 2 . Please check to see that all hardware and parts are present prior to start of assembly.
- 3 . Please follow attached instructions in the same sequence as numbered to assure fast & easy assembly.

### WARNING !



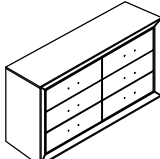
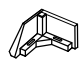

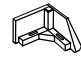

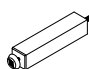
- 1 . Don't attempt to repair or modify parts that are broken or defective. Please contact the store immediately.
- 2 . This product is for home use only and not intended for commercial establishment.



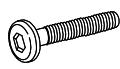



ASSEMBLY TIME

20 MINUTES

## PARTS IDENTIFICATION

A	DRESSER		1PC	D	RIGHT BACK LEG (WITH BR LABEL)		1PC
B	RIGHT FRONT LEG (WITH FR LABEL)		1PC	E	LEFT BACK LEG (WITH BL LABEL)		1PC
C	LEFT FRONT LEG (WITH FL LABEL)		1PC	F	CENTER SUPPORT LEG WITH LEVELER		1PC

## HARDWARE IDENTIFICATION

1	BOLT (M6 x 35mm - BLK)		8PCS	3	FLAT WASHER (1/4" x 20mm - BLK)		8PCS
2	LOCK WASHER (1/4" - BLK)		8PCS	4	ALLEN WRENCH (M4 x 65mm - BLK)		1PC

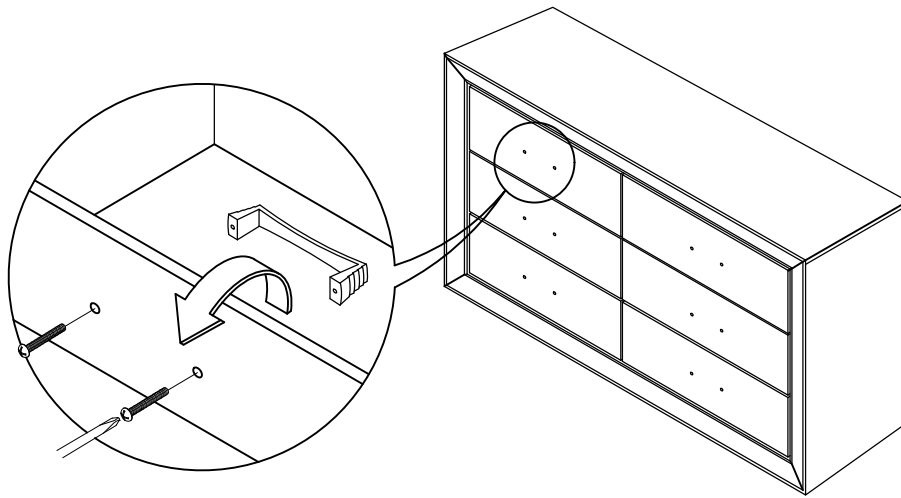
### NOTE:

Philips head screw driver in the assembly process ; however, manufacturer does not provide the item

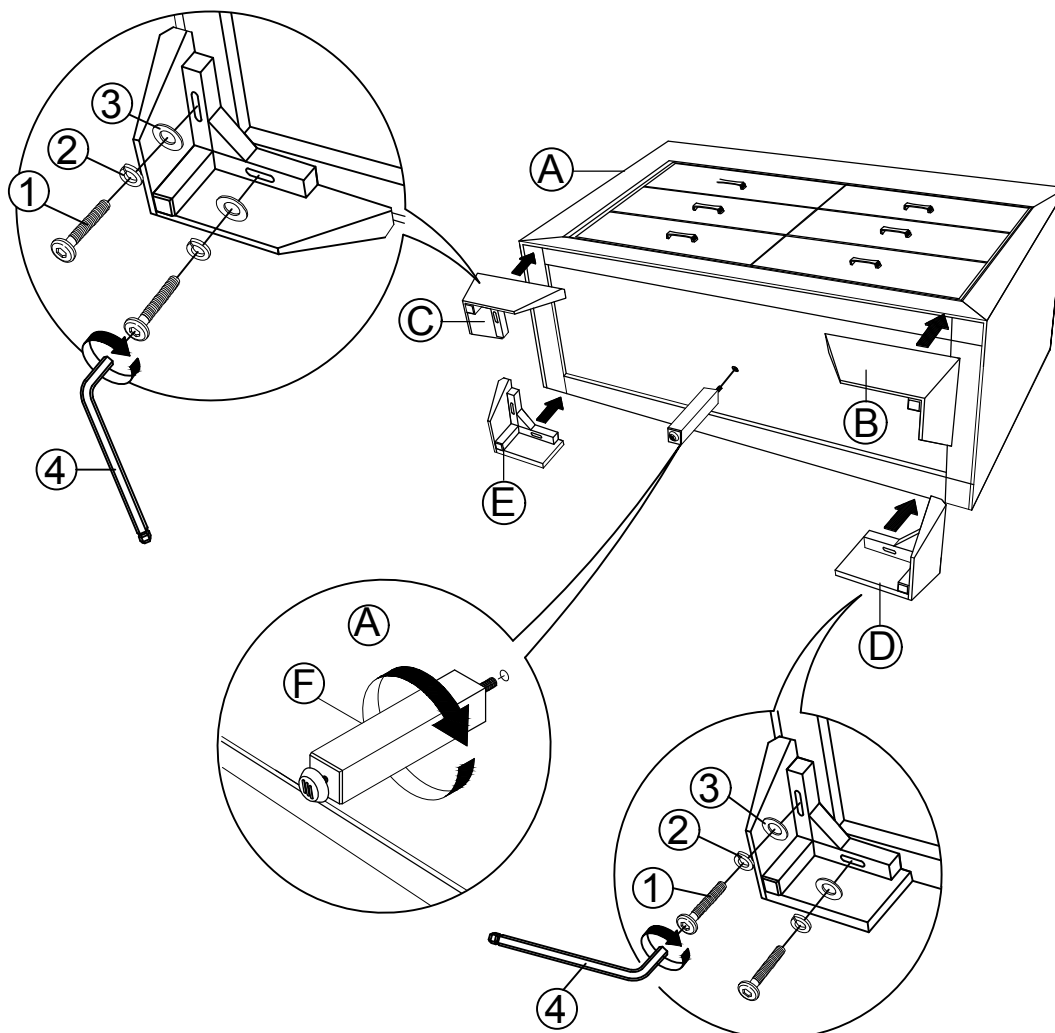
# ITEM: 204193

## ASSEMBLY INSTRUCTIONS

### STEP 1



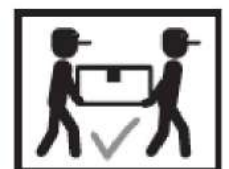
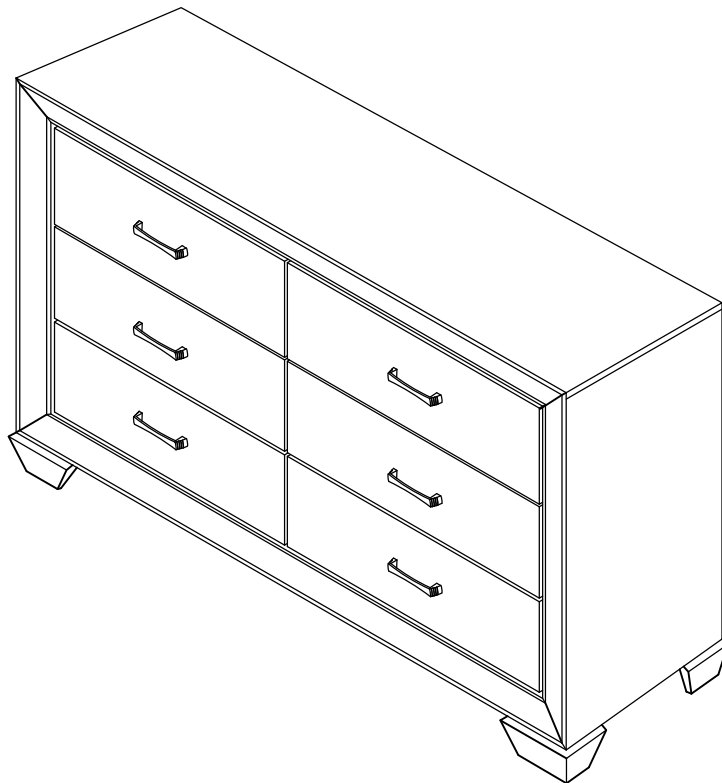
### STEP 2



ITEM: **204193**  
**ASSEMBLY INSTRUCTIONS**



**STEP 3**  
**COMPLETE**



**ANTI-TIPPING INSTALLATION INSTRUCTIONS**  
**FURNITURE TIPPING RESTRAINT**

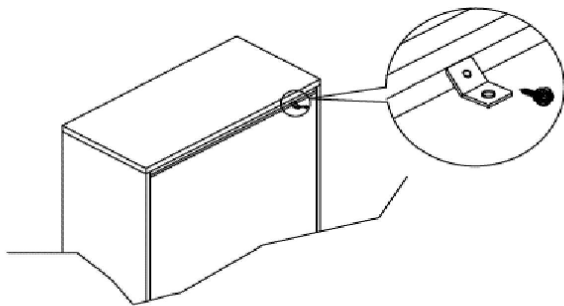
**WARNING**

Injury may result from tipping furniture.  
This restraint may protect against tipping furniture.  
Do not allow children to climb on furniture.  
This restraint is not a substitute for proper adult supervision.  
Failure to detach this restraint before moving the furniture may result in injury and damage.

This restraint must be screwed to a wood stud on the wall, using the long screw provided.

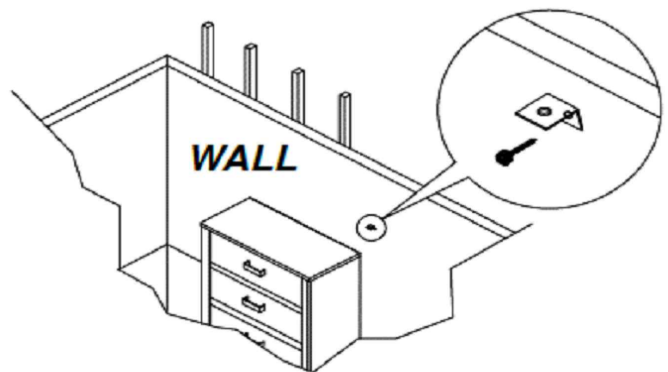
**STEP 1**

Secure the bracket to the back top of the unit, using the short screw provided, as shown in the drawing.



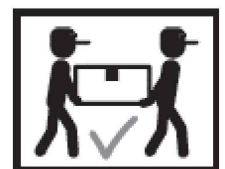
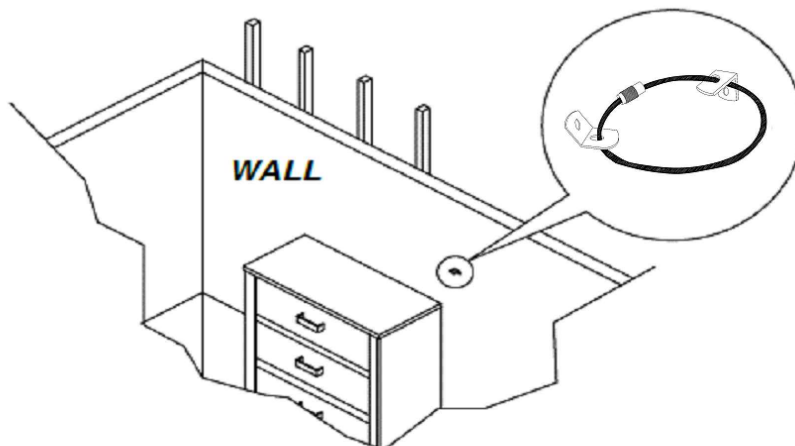
**STEP 2**

Locate the wood stud on the wall and secure the other bracket 2 inches below the back of the unit, using the long screw.



**STEP 3**

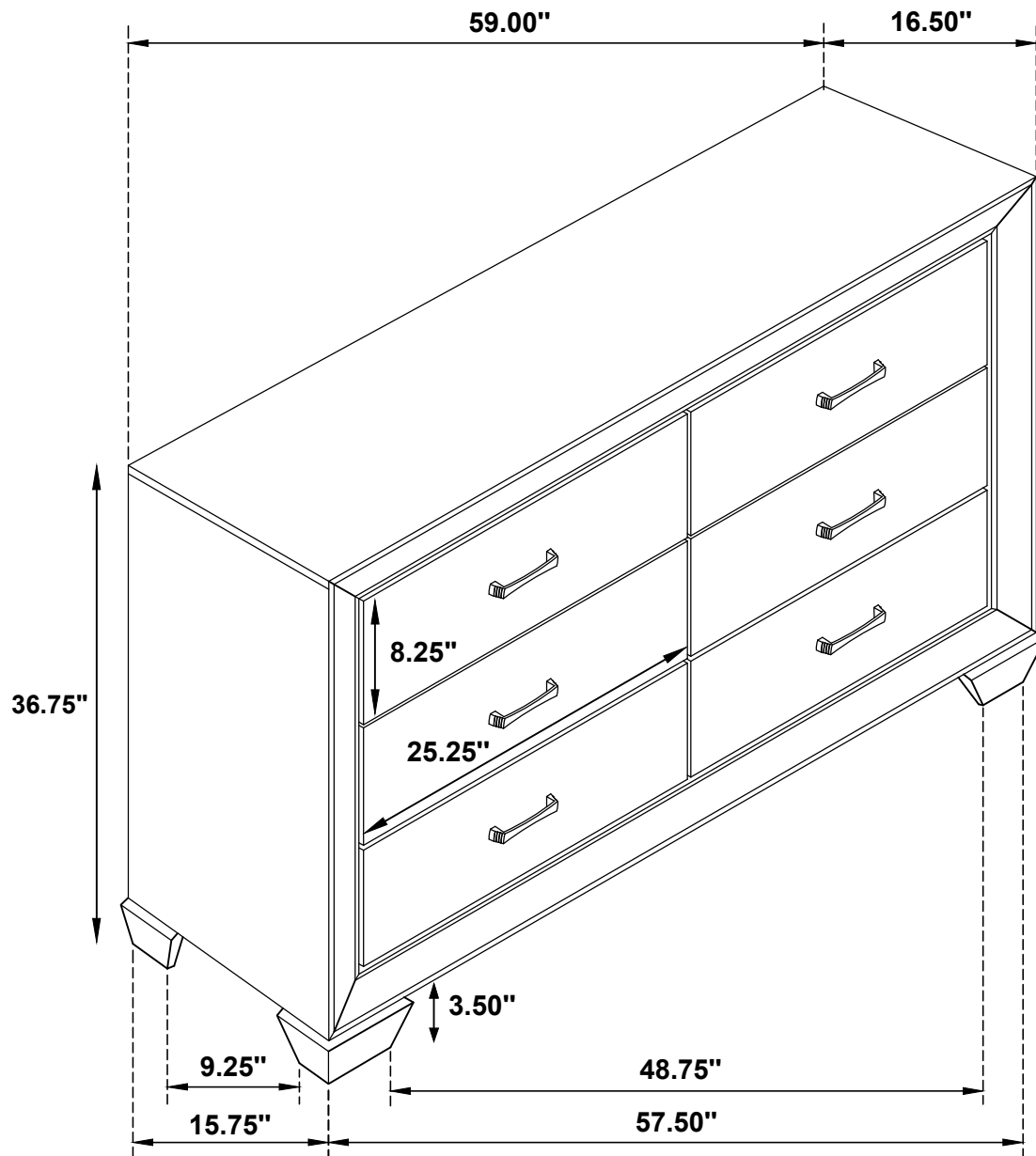
Place the furniture into position so both mounting brackets are vertically in line. Lace the threaded end of the restraint strap through the hole in each mounting bracket. Bring both ends together and rotate the thumb nut onto the threaded end until tight. Ensure that the restraint strap is securely laced and locked.



ITEM: **204193**



Inner Size Of Drawer : 23.25"W X 12.75"D X 5.00"H X 0.25"T



Note : Dimension tolerance  $\pm 5\%$

*ASSEMBLY INSTRUCTIONS*  
*COASTER FINE FURNITURE*



*Fine Furniture for every stage of life*

**204194**  
***Mirror***

ITEM: **204194**



## ASSEMBLY INSTRUCTIONS

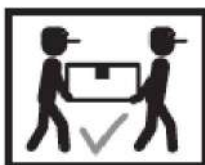
### ASSEMBLY TIPS:

- 1 . Remove hardware from box and sort by size.
- 2 . Please check to see that all hardware and parts are present prior to start of assembly.
- 3 . Please follow attached instructions in the same sequence as numbered to assure fast & easy assembly.



### WARNING !

- 1 . Don't attempt to repair or modify parts that are broken or defective. Please contact the store immediately.
- 2 . This product is for home use only and not intended for commercial establishment.

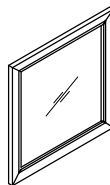


ASSEMBLY TIME

20 MINUTES

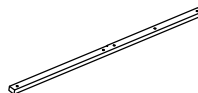
## PARTS IDENTIFICATION

A MIRROR



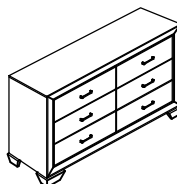
1PC

B MIRROR SUPPORT  
(PACKED WITH DRESSER)



2PCS

C DRESSER  
FROM BOX ITEM#204193



1PC

## HARDWARE IDENTIFICATION

1 PAN HEAD SCREW  
(M4 X32mm - BLK)



8PCS

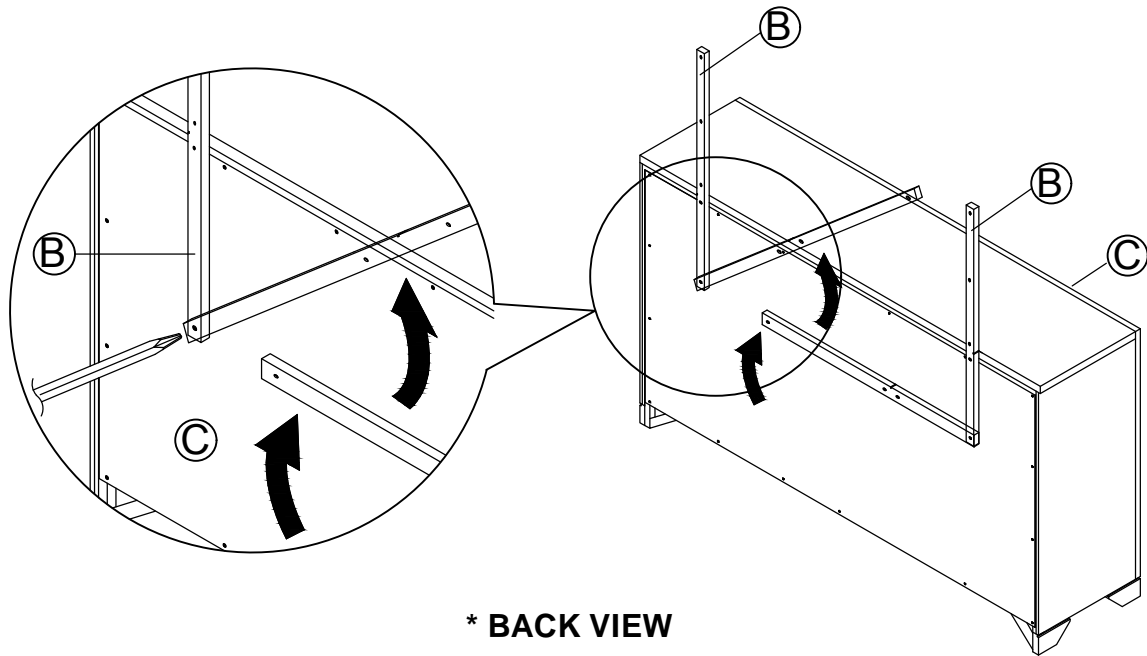
### NOTE:

Philips head screw driver in the assembly process ; however, manufacturer does not provide the item

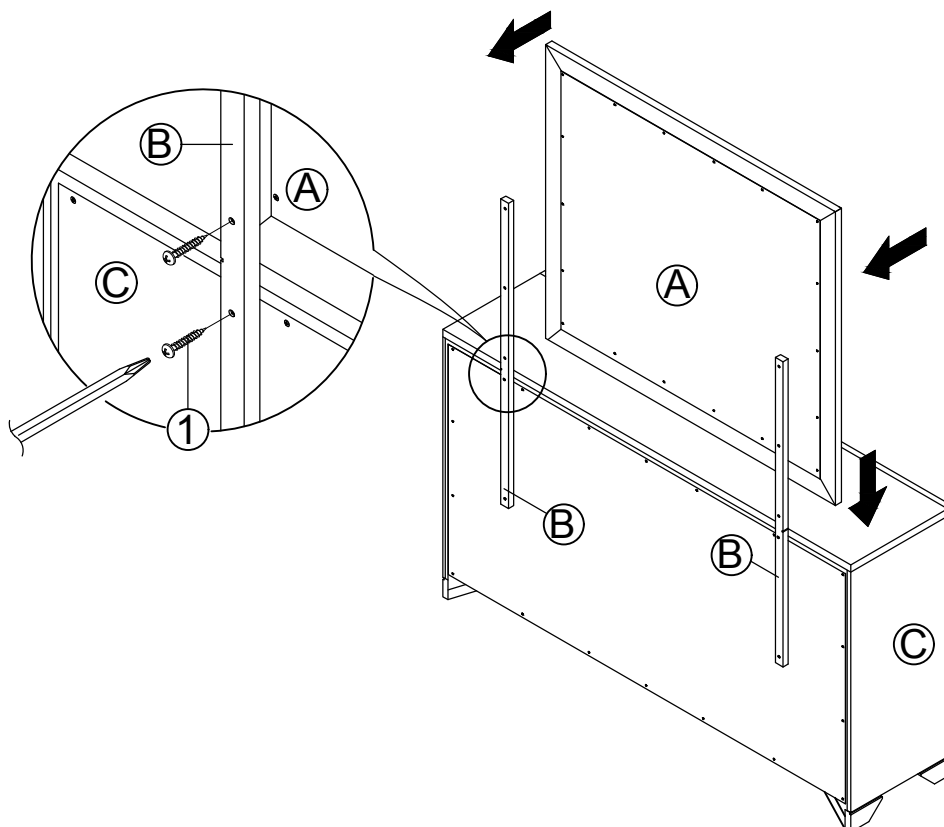
ITEM: **204194**  
**ASSEMBLY INSTRUCTIONS**



**STEP 1**



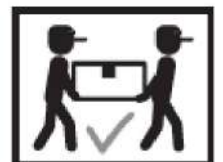
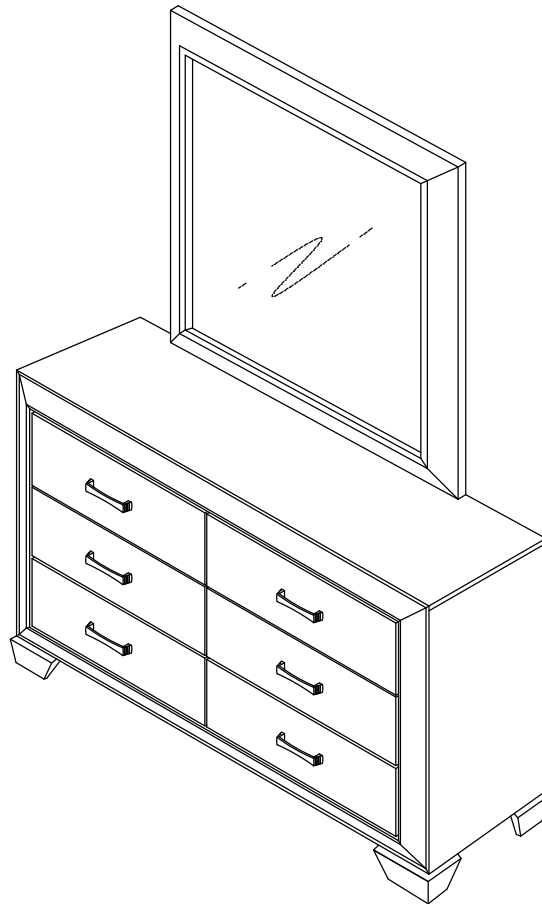
**STEP 2**



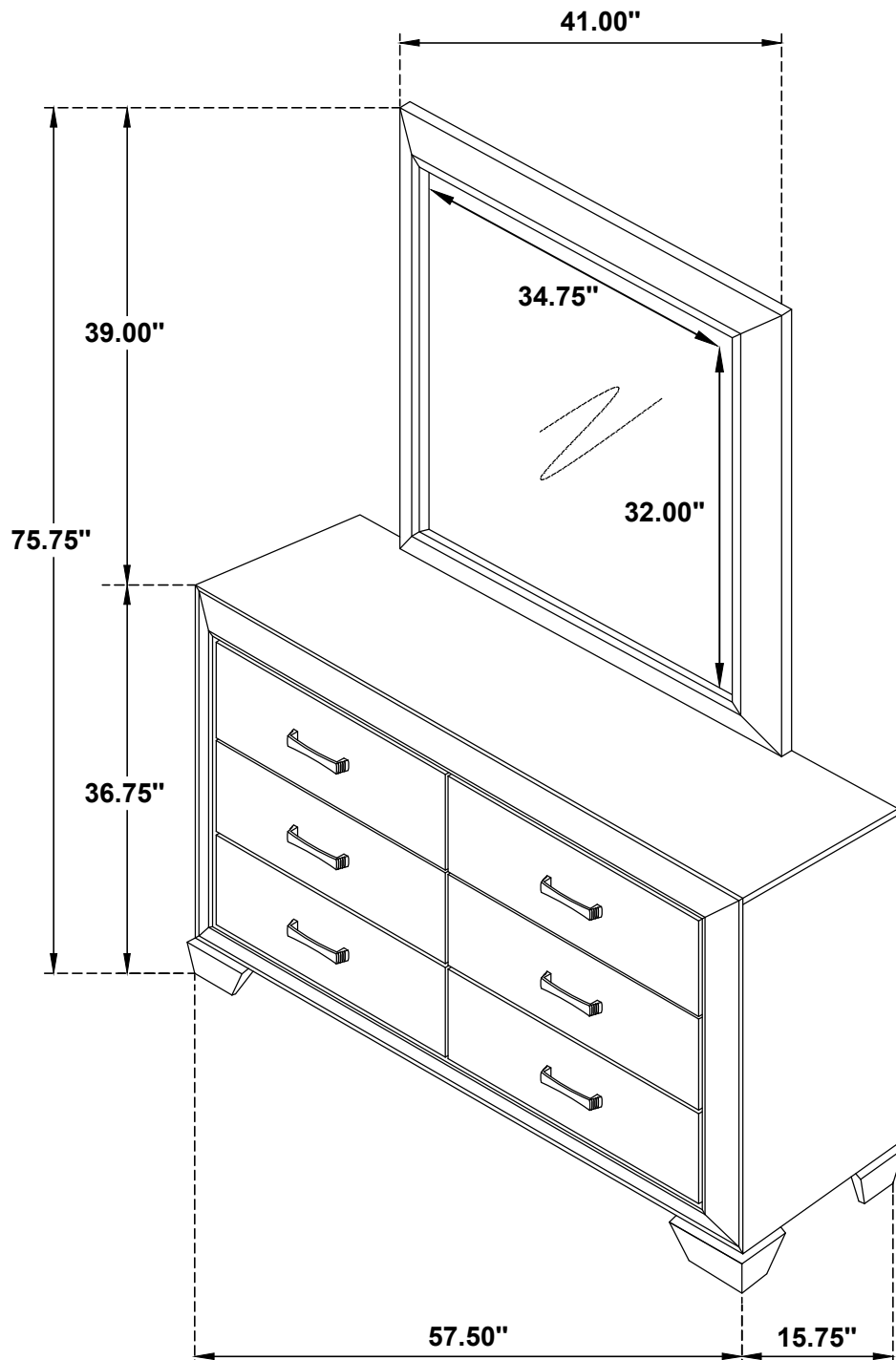
ITEM: **204194**  
**ASSEMBLY INSTRUCTIONS**



**STEP 3**  
**COMPLETE**



ITEM: 204194



Note : Dimension tolerance  $\pm 5\%$

**ASSEMBLY INSTRUCTIONS**  
**COASTER FINE FURNITURE**



*Fine Furniture for every stage of life*

**204195**  
***Chest***

# ITEM: 204195



## ASSEMBLY INSTRUCTIONS

### ASSEMBLY TIPS:

- 1 . Remove hardware from box and sort by size.
- 2 . Please check to see that all hardware and parts are present prior to start of assembly.
- 3 . Please follow attached instructions in the same sequence as numbered to assure fast & easy assembly.

### WARNING !



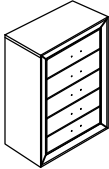


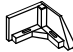
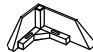
- 1 . Don't attempt to repair or modify parts that are broken or defective. Please contact the store immediately.
- 2 . This product is for home use only and not intended for commercial establishment.



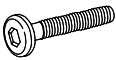



ASSEMBLY TIME

20 MINUTES

## PARTS IDENTIFICATION

A	CHEST		1PC	D	RIGHT BACK LEG (WITH BR LABEL)		1PC
B	RIGHT FRONT LEG (WITH FR LABEL)		1PC	E	LEFT BACK LEG (WITH BL LABEL)		1PC
C	LEFT FRONT LEG (WITH FL LABEL)		1PC				

## HARDWARE IDENTIFICATION

1	BOLT (M6 x 35mm - BLK)		8PCS	3	FLAT WASHER (1/4" x 20mm - BLK)		8PCS
2	LOCK WASHER (1/4" - BLK)		8PCS	4	ALLEN WRENCH (M4 x 65mm - BLK)		1PC

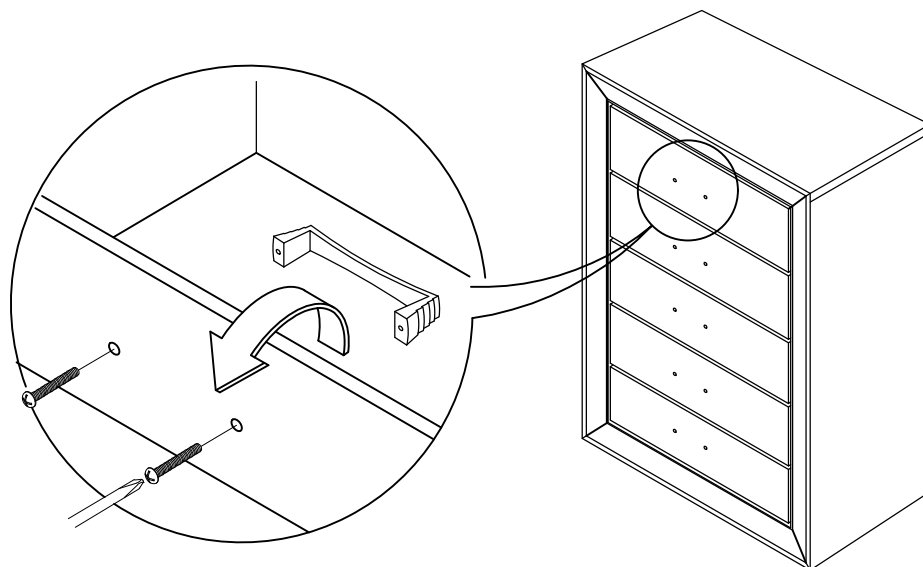
### NOTE:

Philips head screw driver in the assembly process ; however, manufacturer does not provide the item

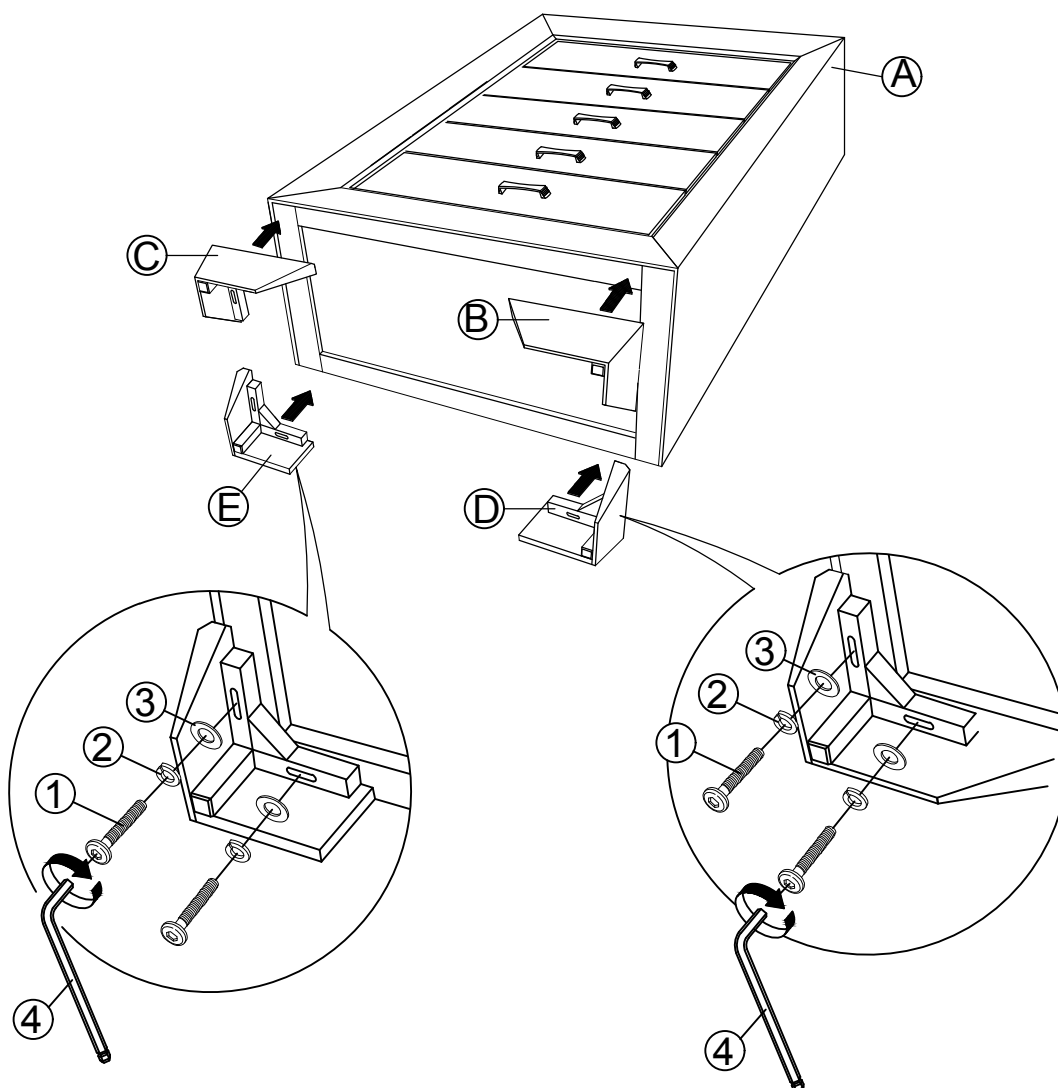
# ITEM: 204195

## ASSEMBLY INSTRUCTIONS

### STEP 1



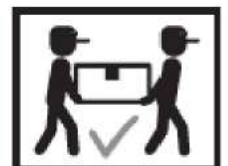
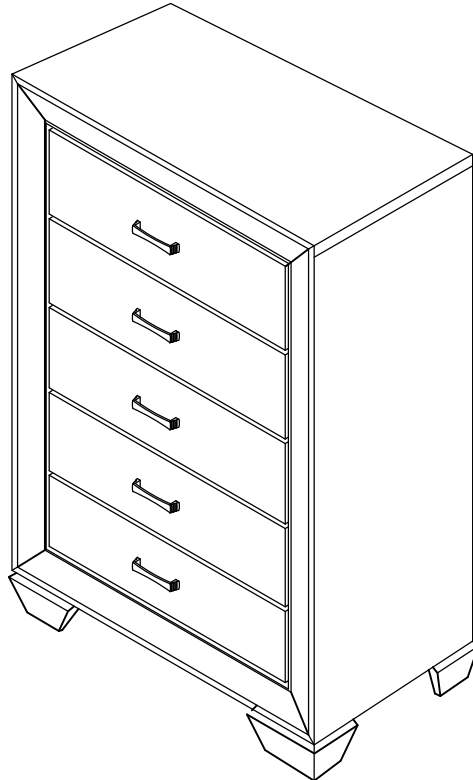
### STEP 2



ITEM: **204195**  
**ASSEMBLY INSTRUCTIONS**



**STEP 3**  
**COMPLETE**



**ANTI-TIPPING INSTALLATION INSTRUCTIONS**  
**FURNITURE TIPPING RESTRAINT**

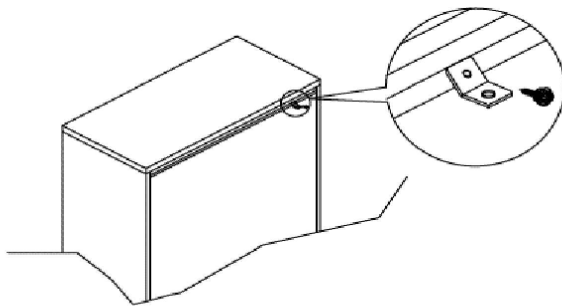
**WARNING**

Injury may result from tipping furniture.  
This restraint may protect against tipping furniture.  
Do not allow children to climb on furniture.  
This restraint is not a substitute for proper adult supervision.  
Failure to detach this restraint before moving the furniture may result in injury and damage.

This restraint must be screwed to a wood stud on the wall, using the long screw provided.

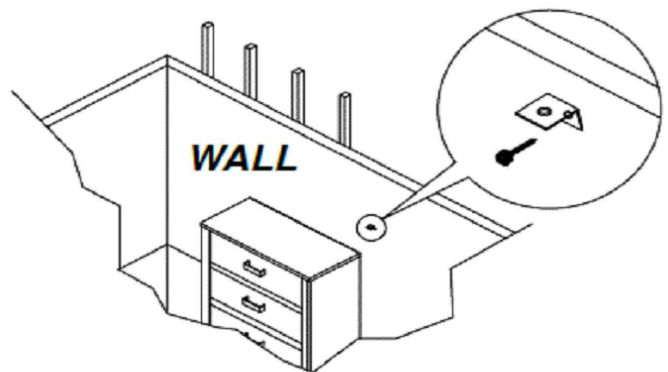
**STEP 1**

Secure the bracket to the back top of the unit, using the short screw provided, as shown in the drawing.



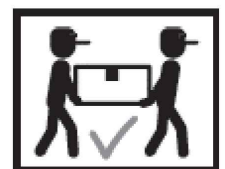
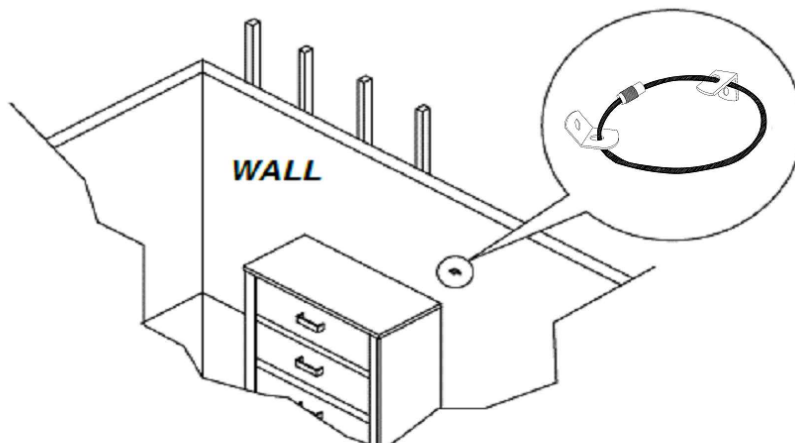
**STEP 2**

Locate the wood stud on the wall and secure the other bracket 2 inches below the back of the unit, using the long screw.



**STEP 3**

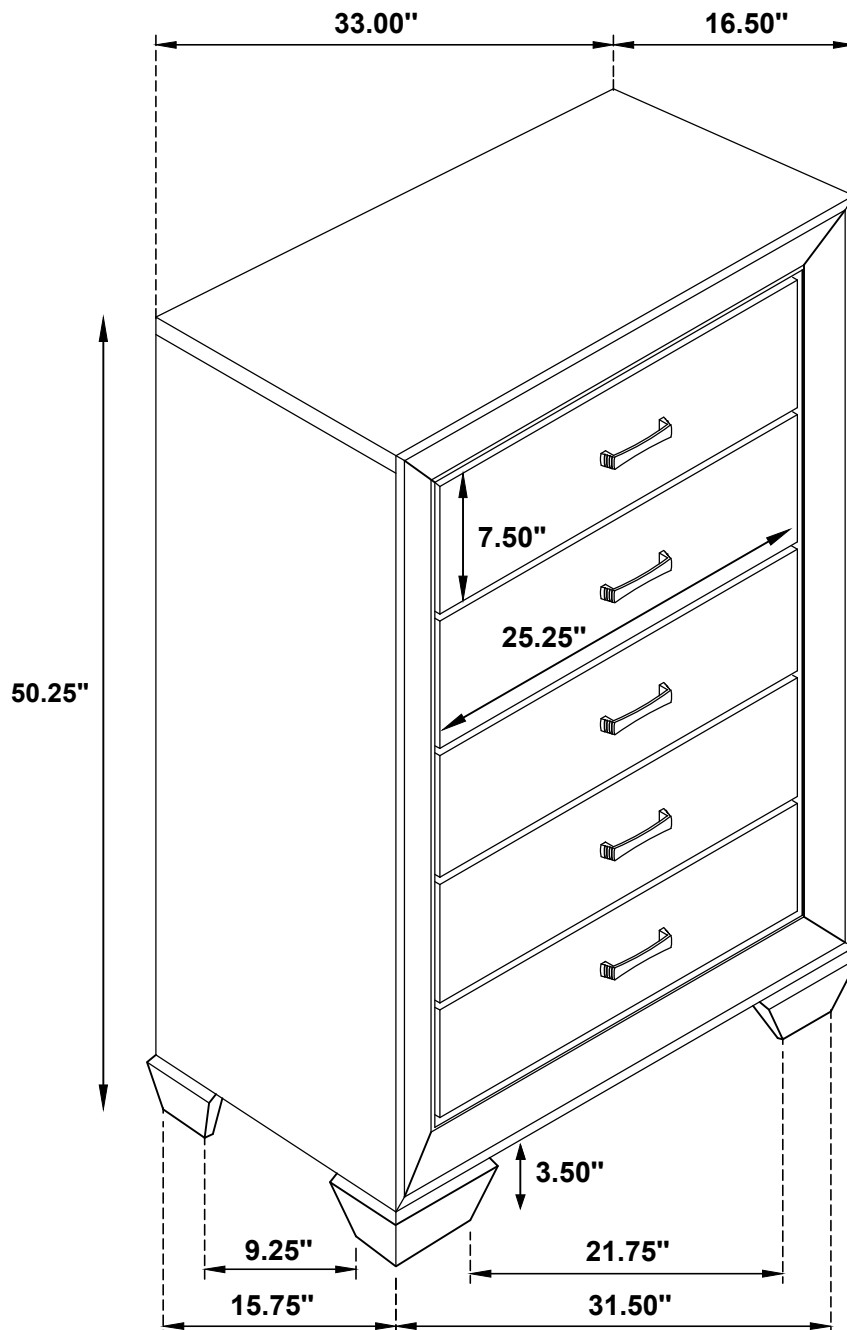
Place the furniture into position so both mounting brackets are vertically in line. Lace the threaded end of the restraint strap through the hole in each mounting bracket. Bring both ends together and rotate the thumb nut onto the threaded end until tight. Ensure that the restraint strap is securely laced and locked.



ITEM: **204195**



Inner Size Of Drawer : 23.25"W X 12.75"D X 5.00"H X 0.25"T



Note : Dimension tolerance  $\pm 5\%$