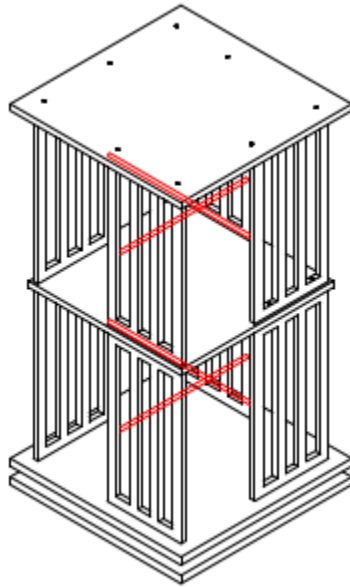
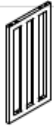
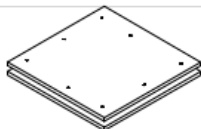
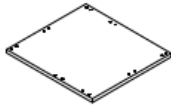
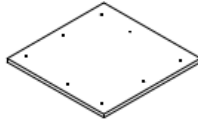




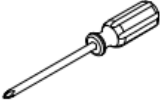


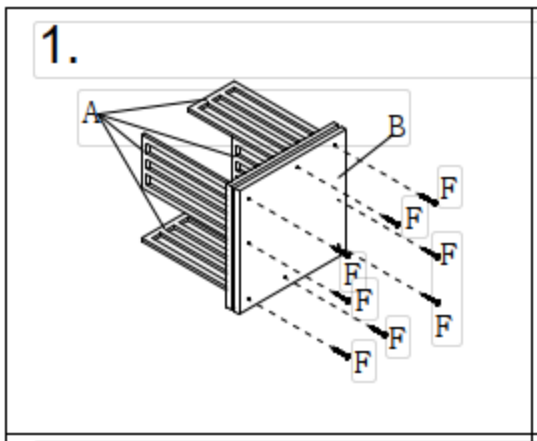
Rotating Bookshelf Instruction Manual



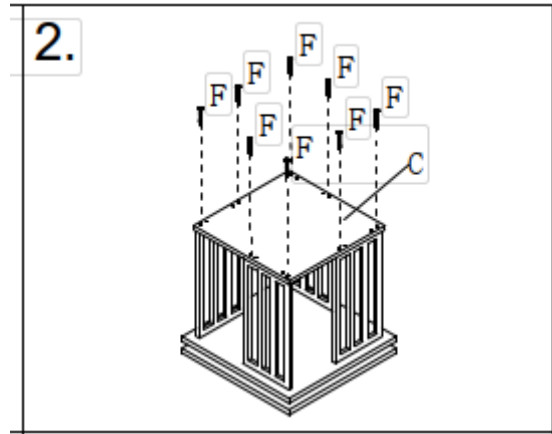
Before using this product, please read the instruction manual carefully to avoid incorrect usage. Retain the manual for future reference.

package list

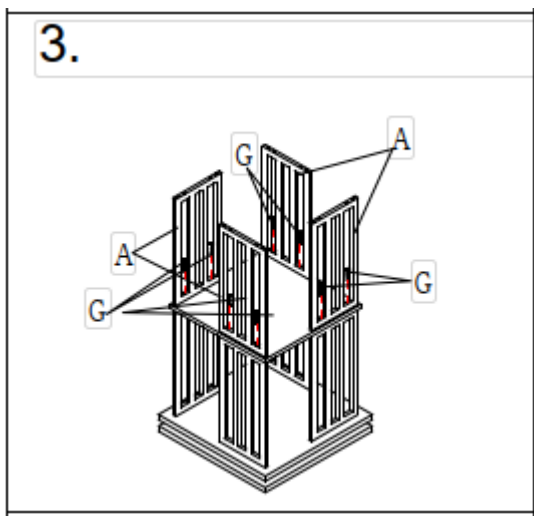
A  X8	B  X1	C  X1	D  X1
E  X4	F  X24	G  X8	H  X1
I  X1			



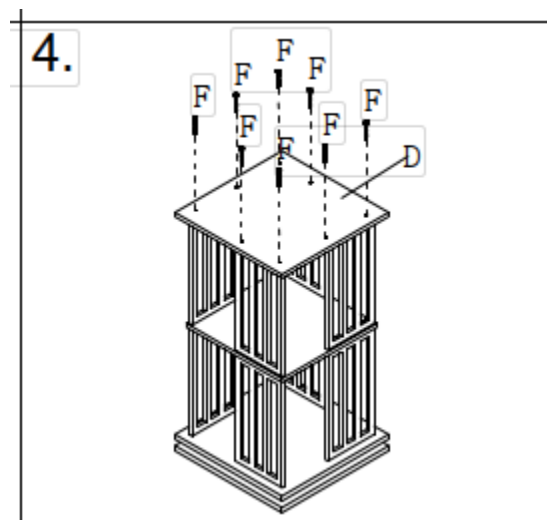
Step1: Use eight F - screws to connect four A - side plates from the bottom. *Note* that the grooves of the A - side plates should face inward.



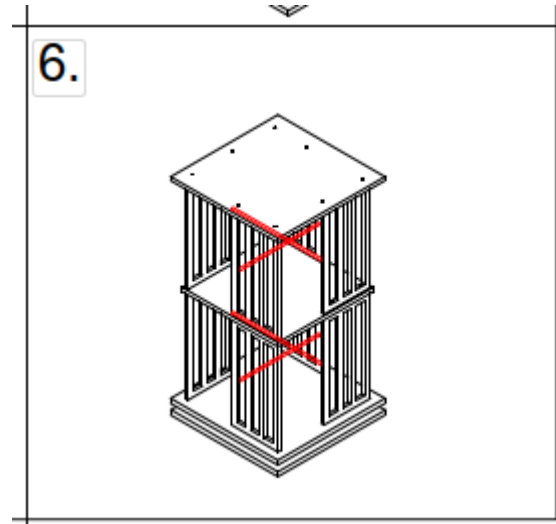
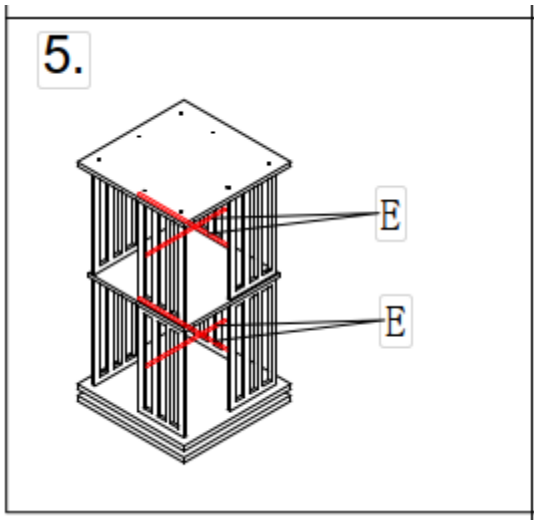
Step2: Place the C - plate and fix it with eight F - screws from the top.



step4: Place four A - side plates respectively and fix them with eight G - screws.



Step 5: Place the D - top plate and then fix it with eight F - screws.



Step 6: Place two E - pillars in a cross shape into the grooves of the side plates on each layer.

Step 7: It is completed. Please use your bookshelf.

Attention: In order to prevent screw wear and tear, extra screws are placed in each package list. Please install according to the installation steps in the instruction manual. If you have purchased a 4 - layer or 6 - layer bookshelf, you only need to install it according to the 2 - layer instruction manual, and place the top D - top plate in the last step of installation.

Do you have any problems or missing parts? Please let us know. We are here to help you solve problems 24/7.