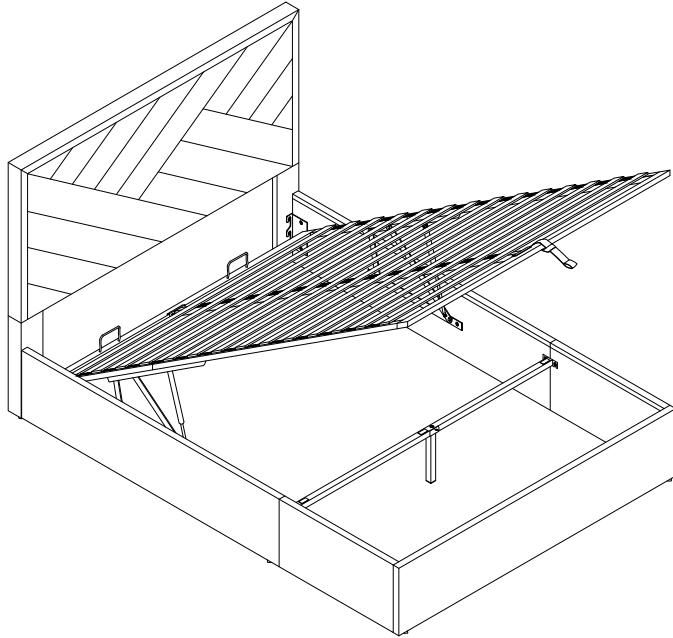


# ASSEMBLY INSTRUCTION



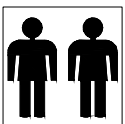
**WARNING: OPEN THE HEADBOARD BACK ZIPPER, THE BED REST PARTS IN IT.**



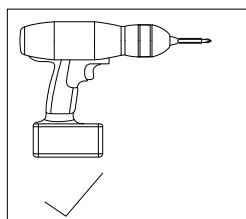
**Please TEAR OFF this shrink film from side!  
DO NOT USE CUTTER!**

## IMPORTANT NOTE

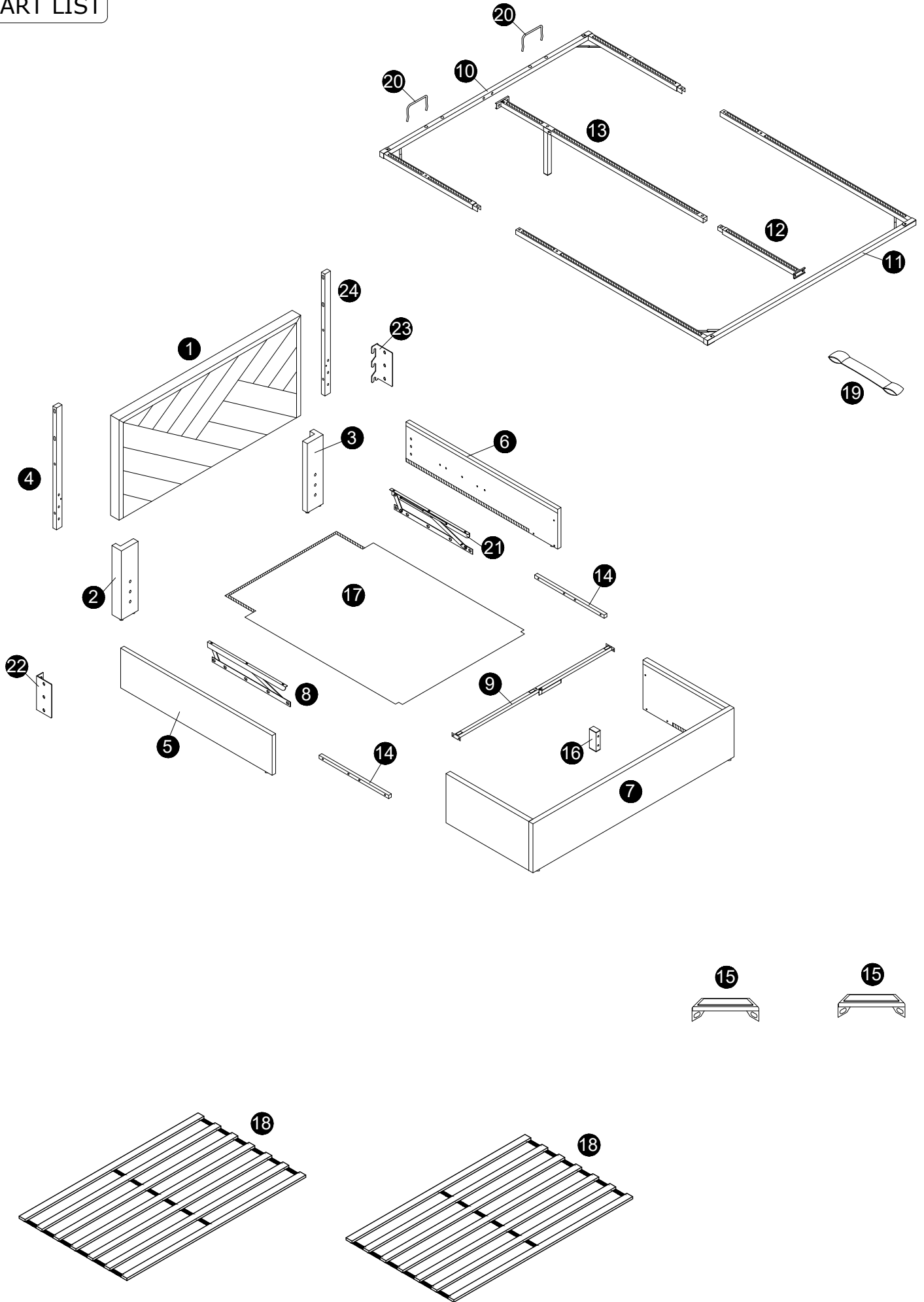
- 1. ALL OTHER PART INSIDE THE HEADBOARD PLEASE OPEN THE ZIPPER OF HEADBOARD, AND TAKE OUT ALL OTHER PART BEFORE ASSEMBLY.**
2. FOR THE PROTECTION OF YOUR FURNITURE, PLACE ALL PARTS ON A CLEAN AND SMOOTH SURFACE TO PREVENT ANY DAMAGE.
3. KEEP FITTINGS OUT OF CHILDREN'S REACH AND KEEP CHILDREN WELL AWAY FROM CONSTRUCTION AREA.
4. WHEN MOVING YOUR ASSEMBLED BED. IT IS BEST TO LIFT THE BED AND NEVER TO DRAG IT.
5. DO NOT USE THIS PRODUCT IF PARTS ARE MISSING, DAMAGED OR WORN.
6. THIS PRODUCT SHOULD ONLY BY USED ON FIRM, LEVEL GROUND.
7. PLEASE PERIODICALLY CHECK ALL FITTINGS AND RE-TIGHTEN AS NECESSARY.
8. DO NOT USE THE BED UNLESS ALL BOLTS AND SCREWS ARE FIRMLY SECURED.
9. NEED PARTS OR ASSISTANCE?



Minimum two  
person assembly

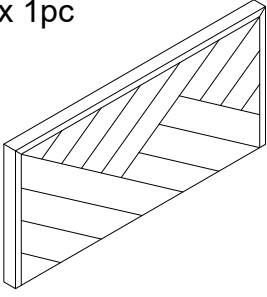


PART LIST



PART LIST

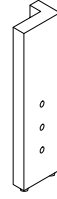
1 x 1pc



2 x 1pc



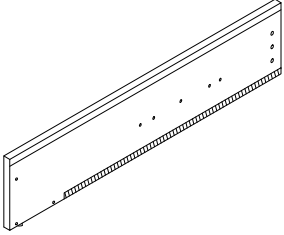
3 x 1pc



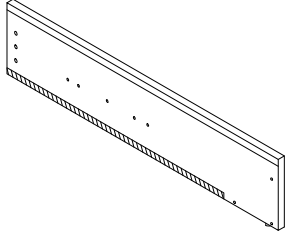
4 x 1pc



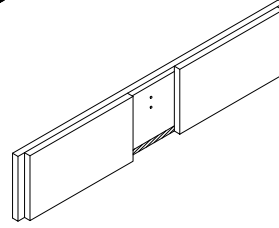
5 x 1pc



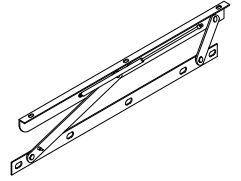
6 x 1pc



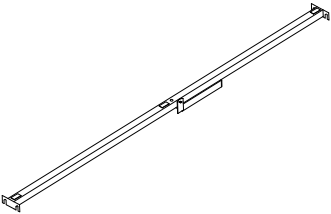
7 x 1pc



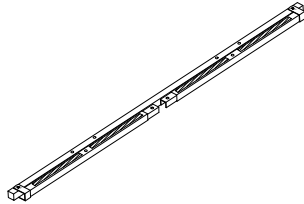
8 x 1pc



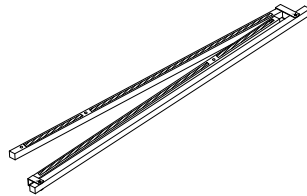
9 x 1pc



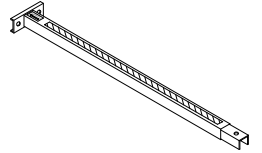
10 x 1pc



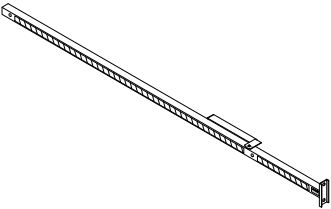
11 x 1pc



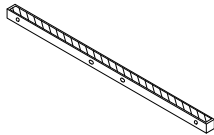
12 x 1pc



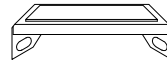
13 x 1pc



14 x 2pcs



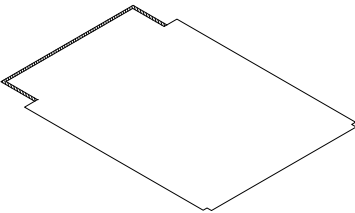
15 x 2pcs



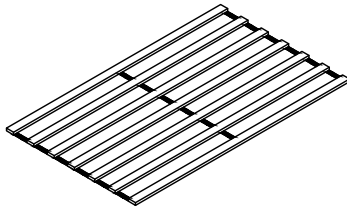
16 x 1pc



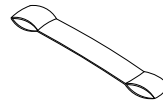
17 x 1pc



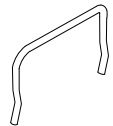
18 x 2pcs



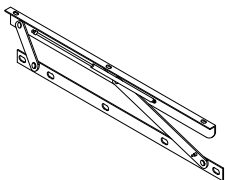
19 x 1pc



20 x 2pcs



21 x 1pc



22 x 1pc




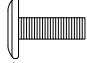



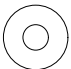
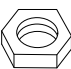


23 x 1pc



24 x 1pc

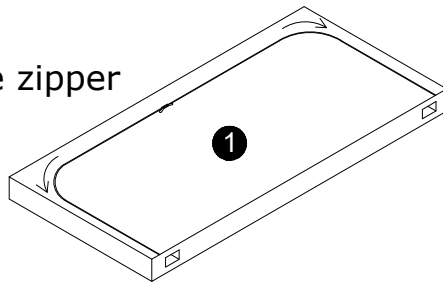


# HARDWARE LIST

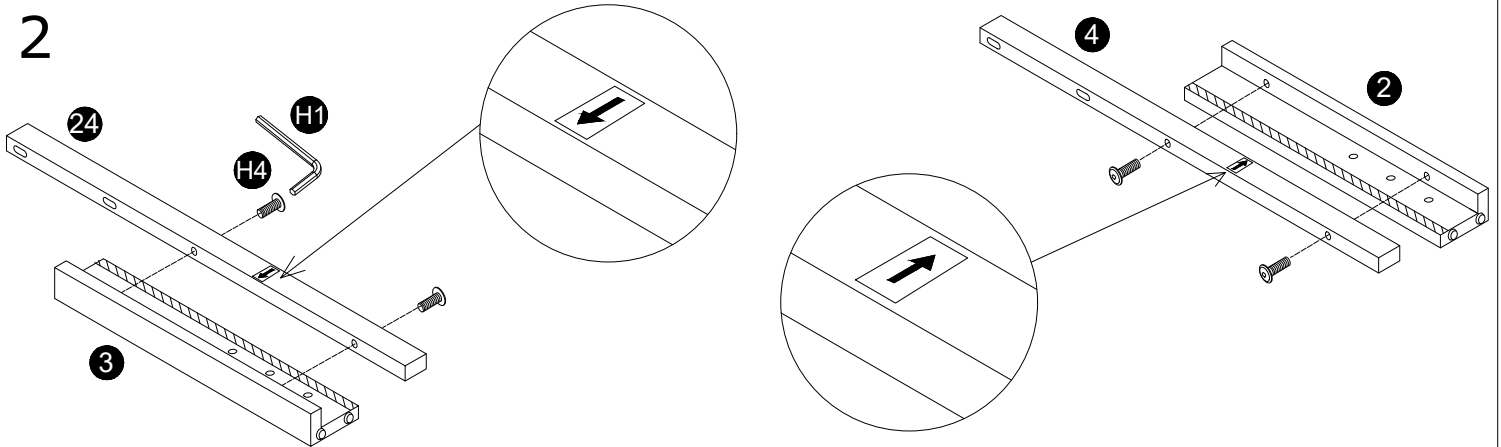
 <b>H1</b> M5 x 1pc	 <b>H2</b> M8x25mm x 29pcs	 <b>H3</b> M8x35mm x 14pcs	 <b>H4</b> M8x60mm x 10pcs
 <b>H5</b> M8 x 12pcs	 <b>H6</b> M8x17mm x 12pcs	 <b>H7</b> M8 x 6pcs	 <b>H8</b> M14 x 1pc
 <b>H9</b> M8x50mm x 8pcs			

**1** **NOTE:** PLEASE OPEN THE ZIPPER ON THE BACK OF **1** AND TAKE OUT THE PARTS.

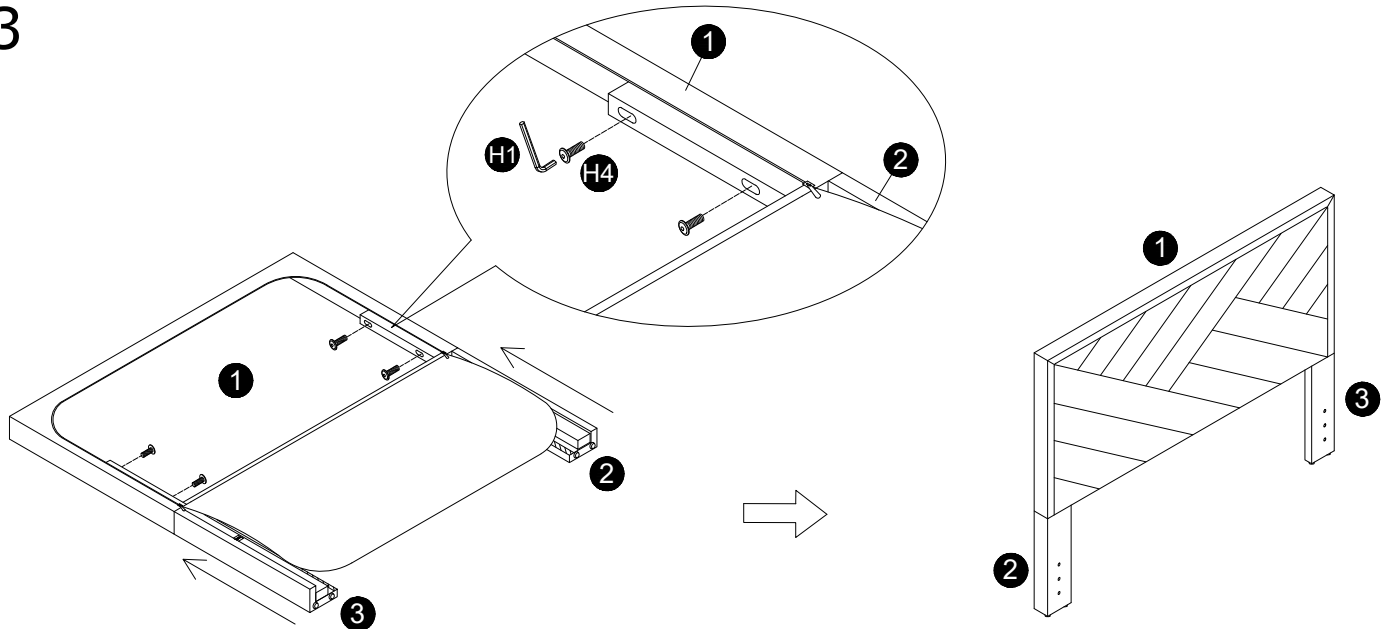
Open the zipper



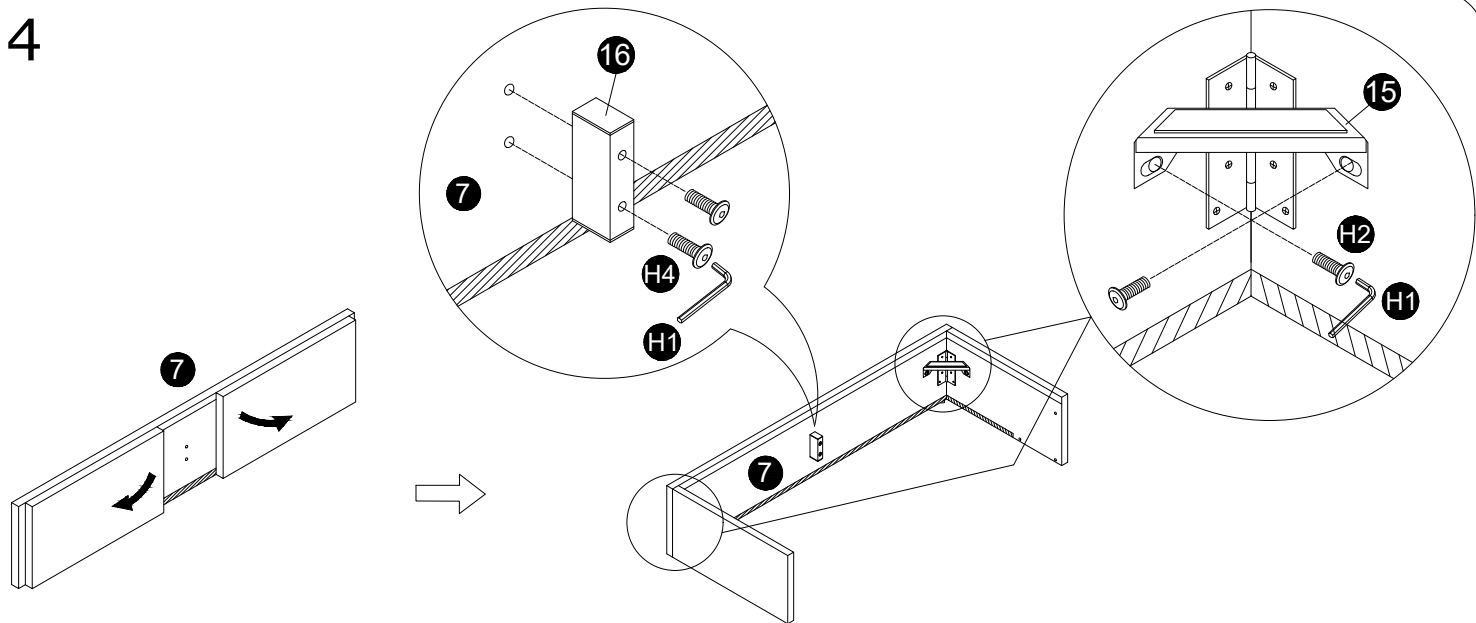
**2**



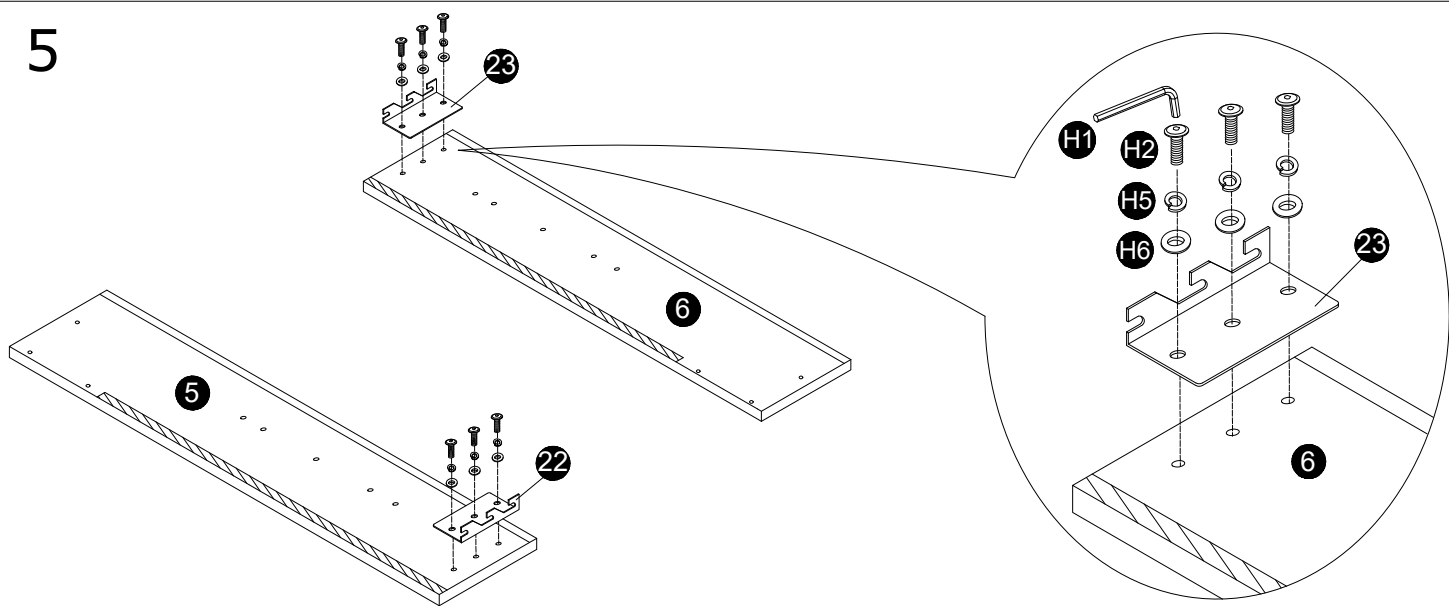
**3**



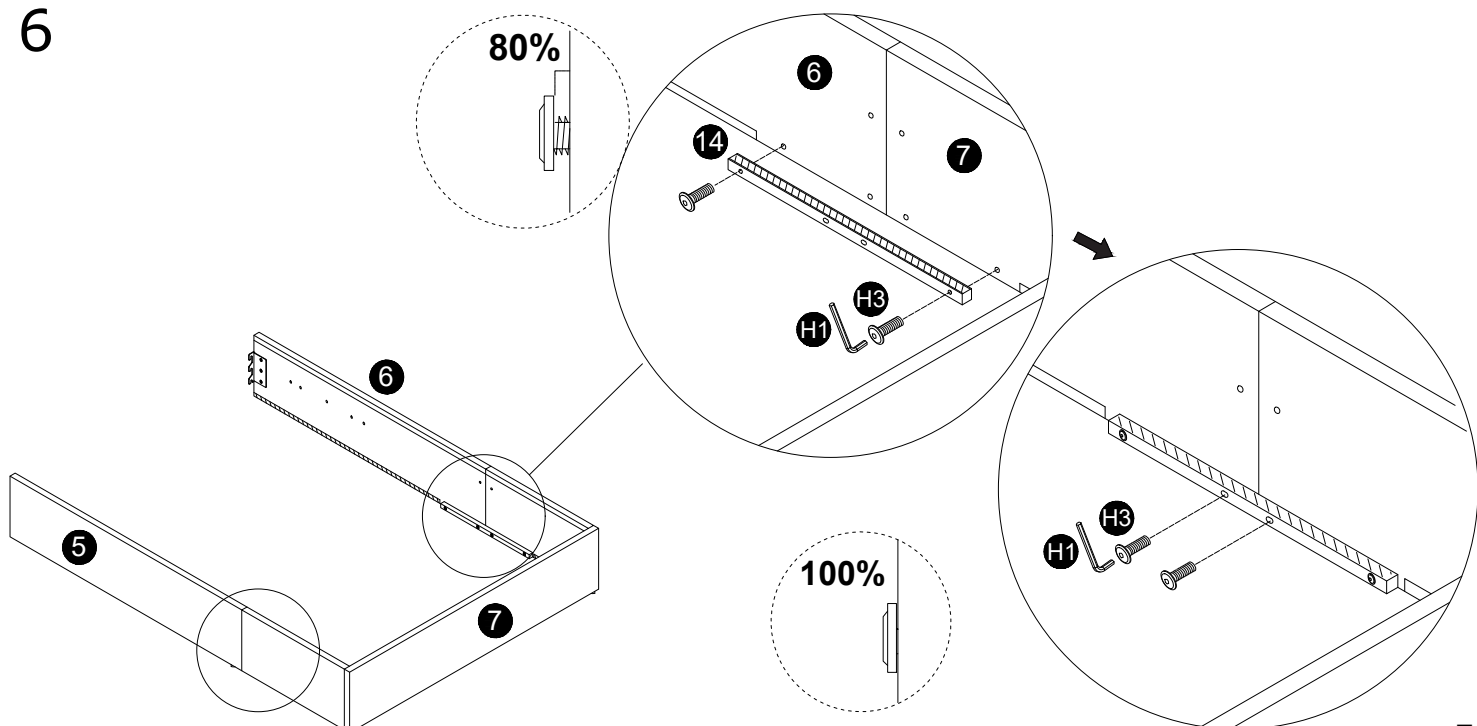
4



5



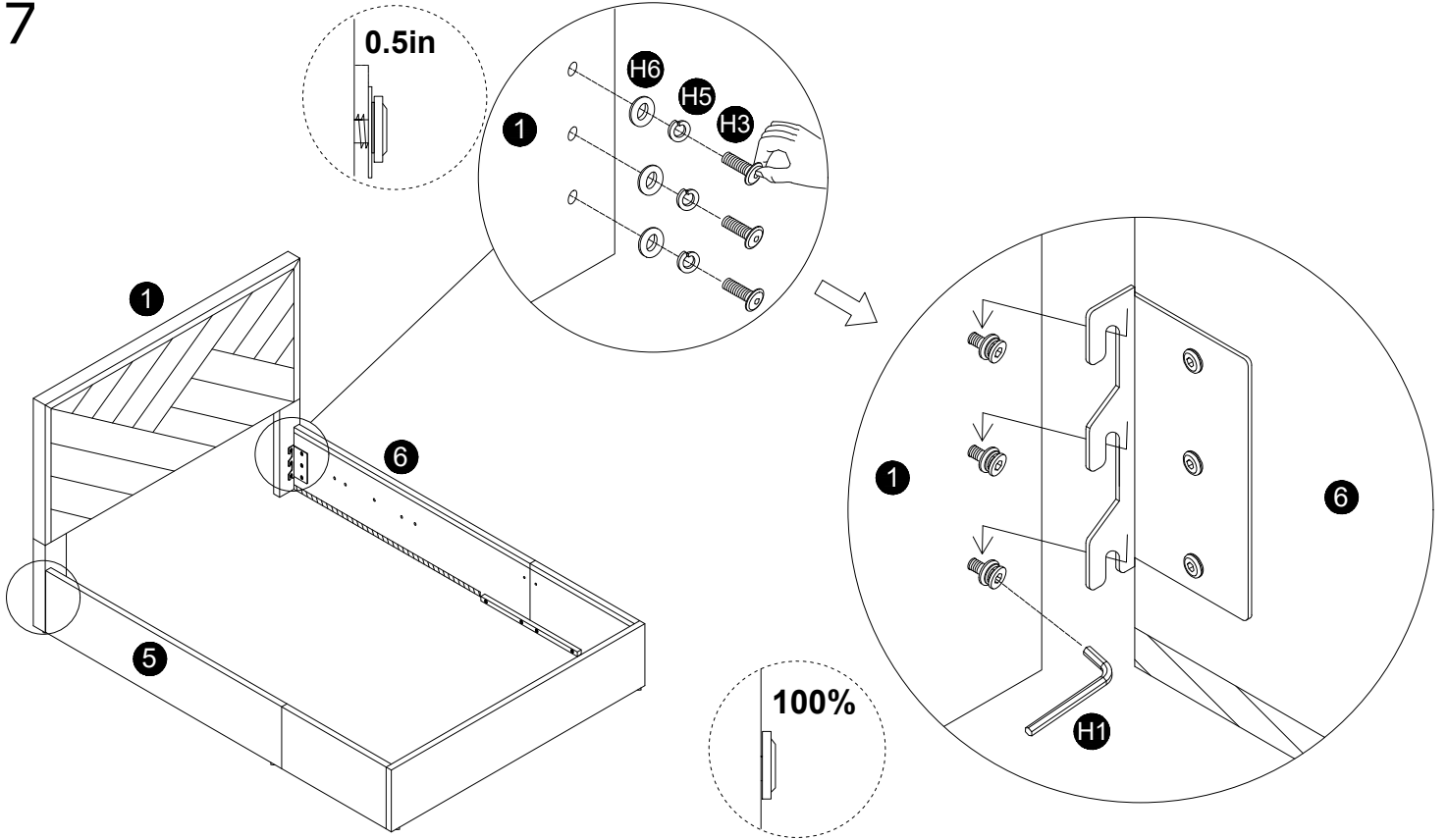
6



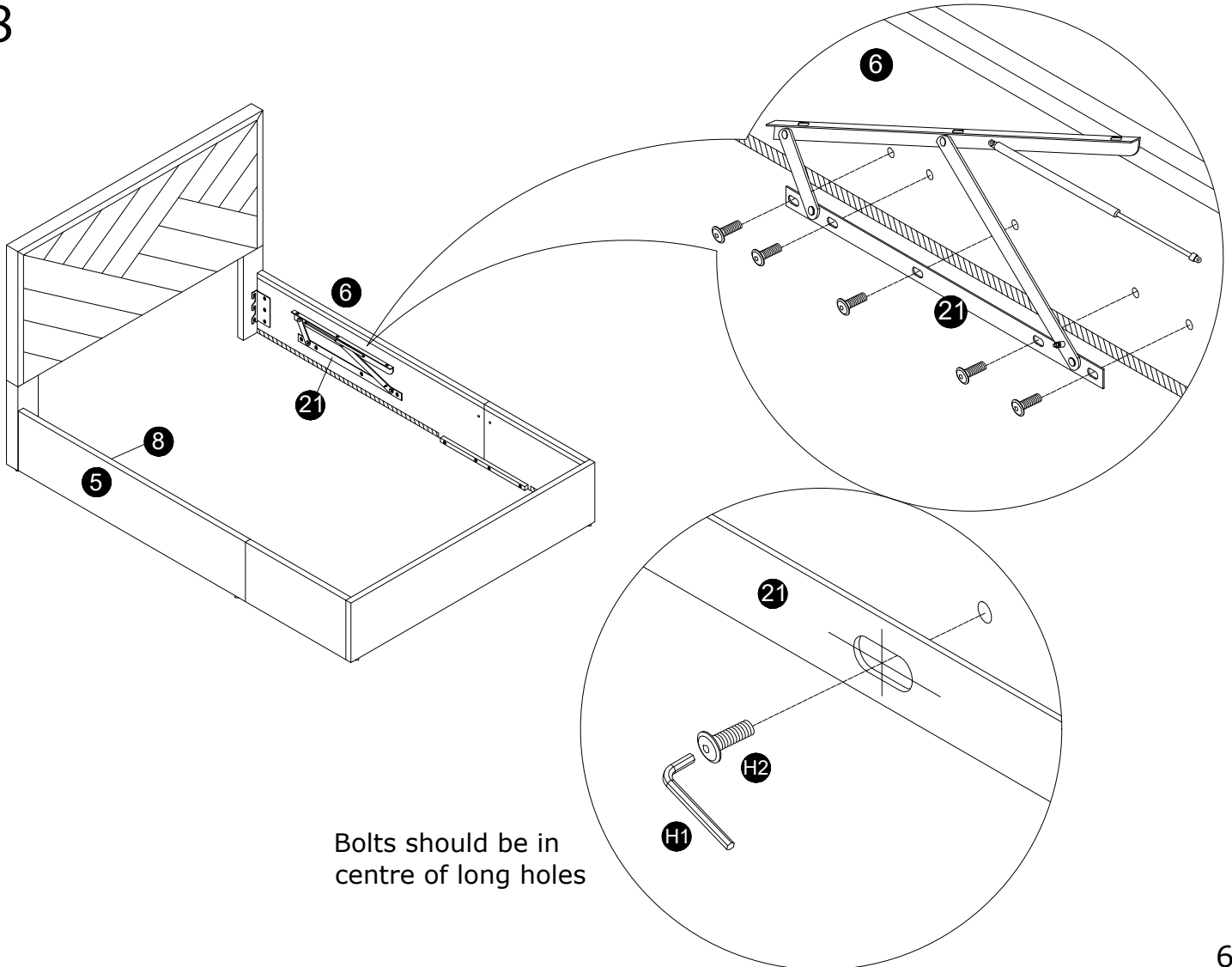
Fully tighten step 6 all fixings

5

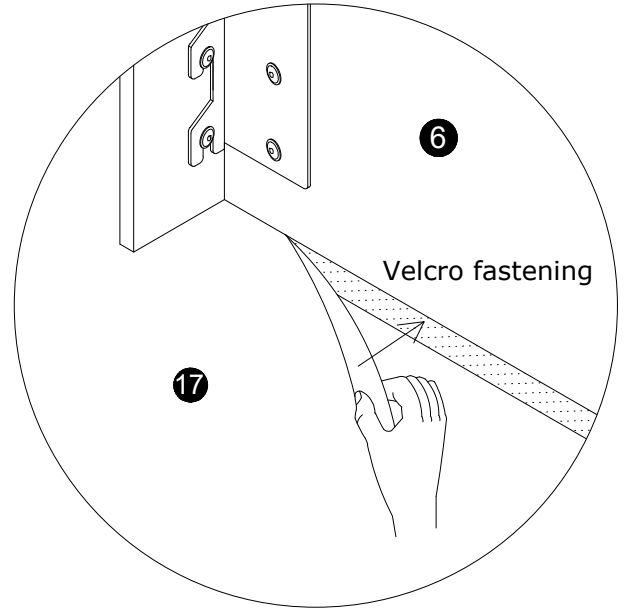
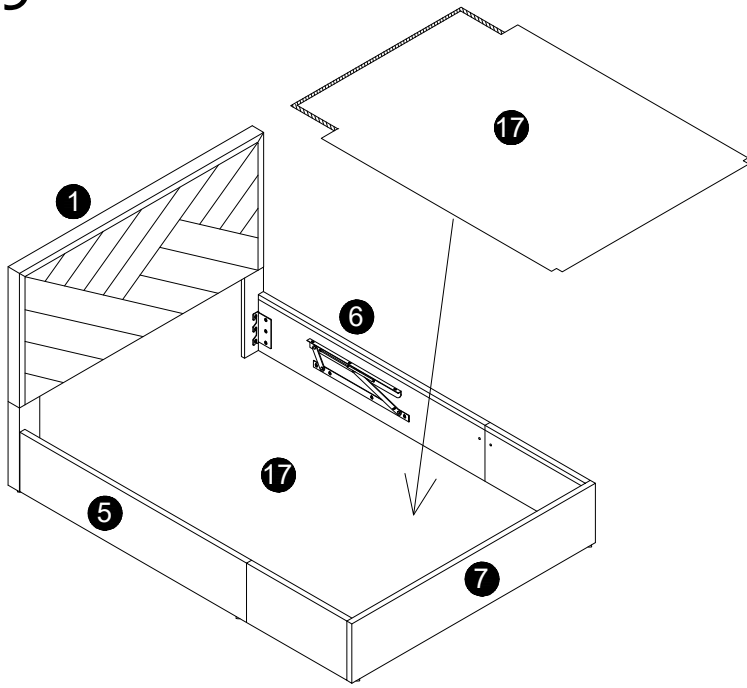
7



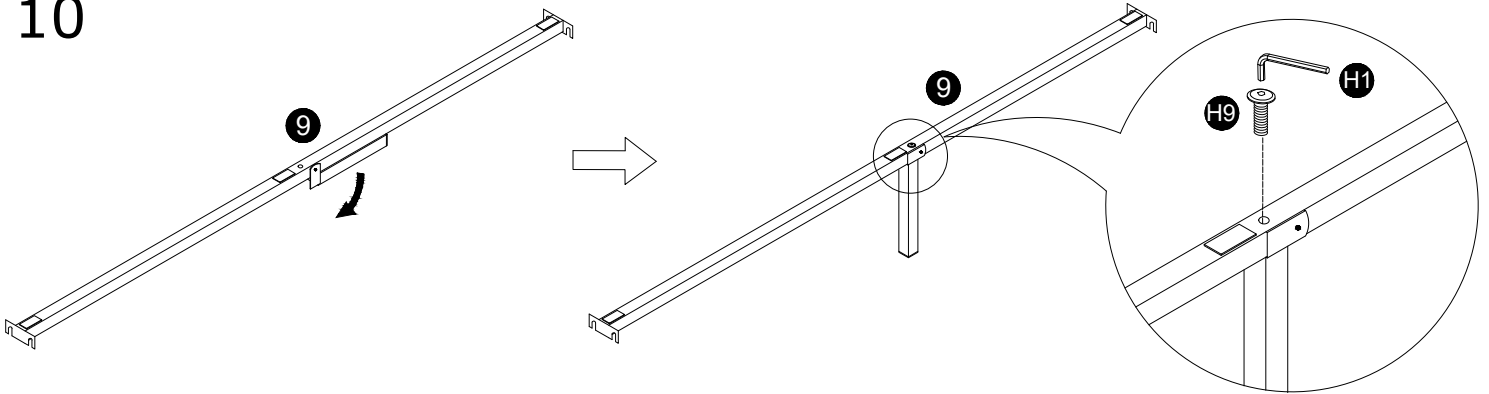
8



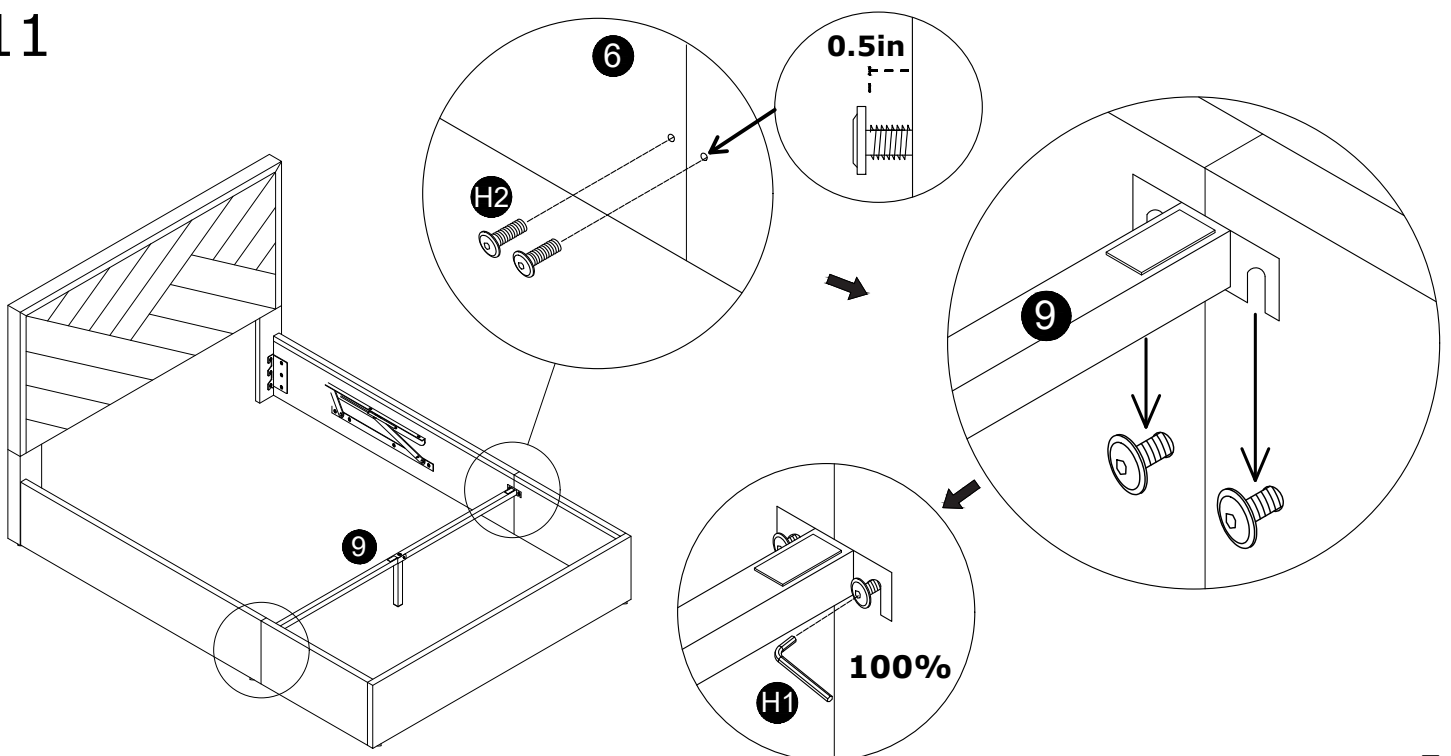
9



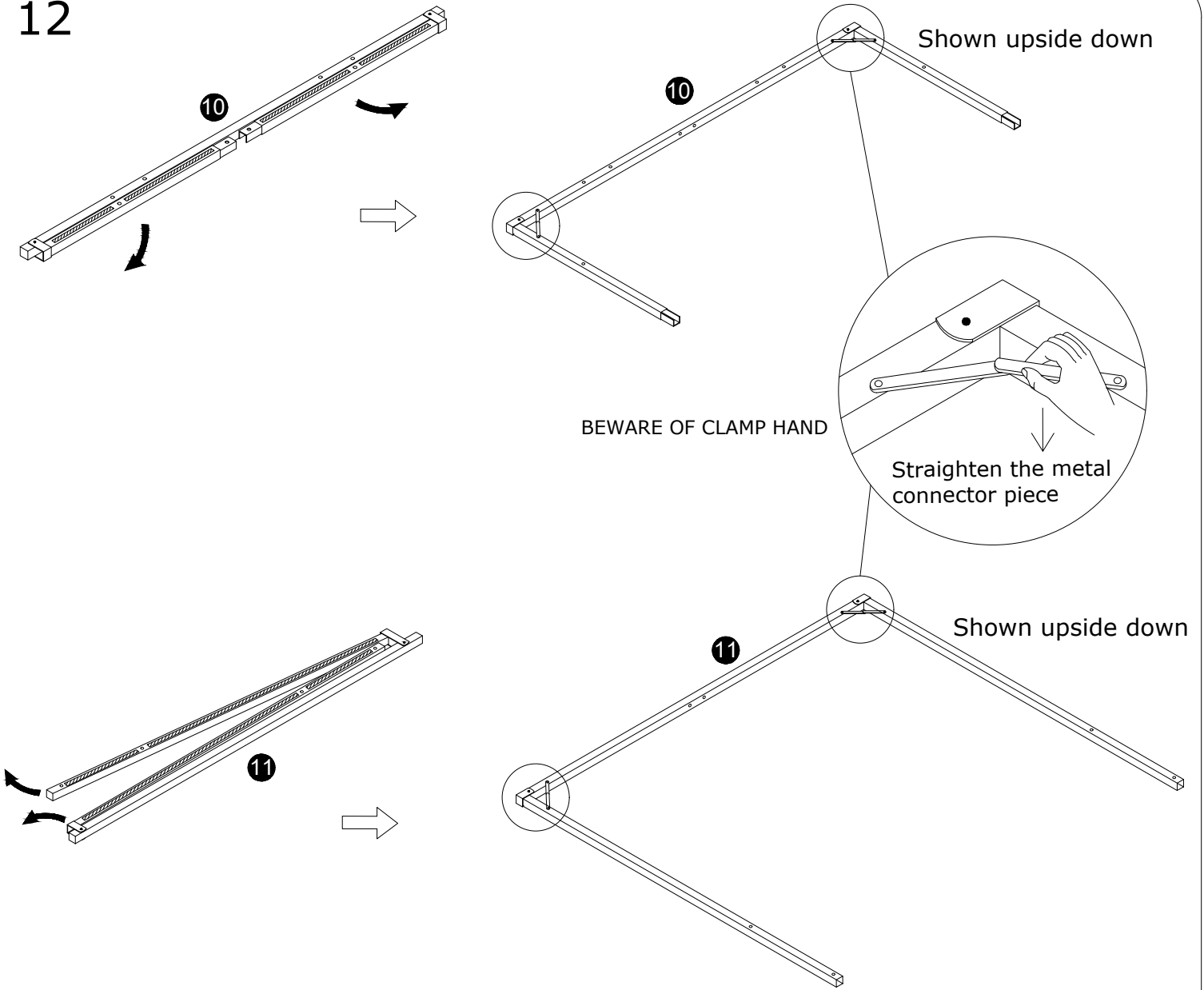
10



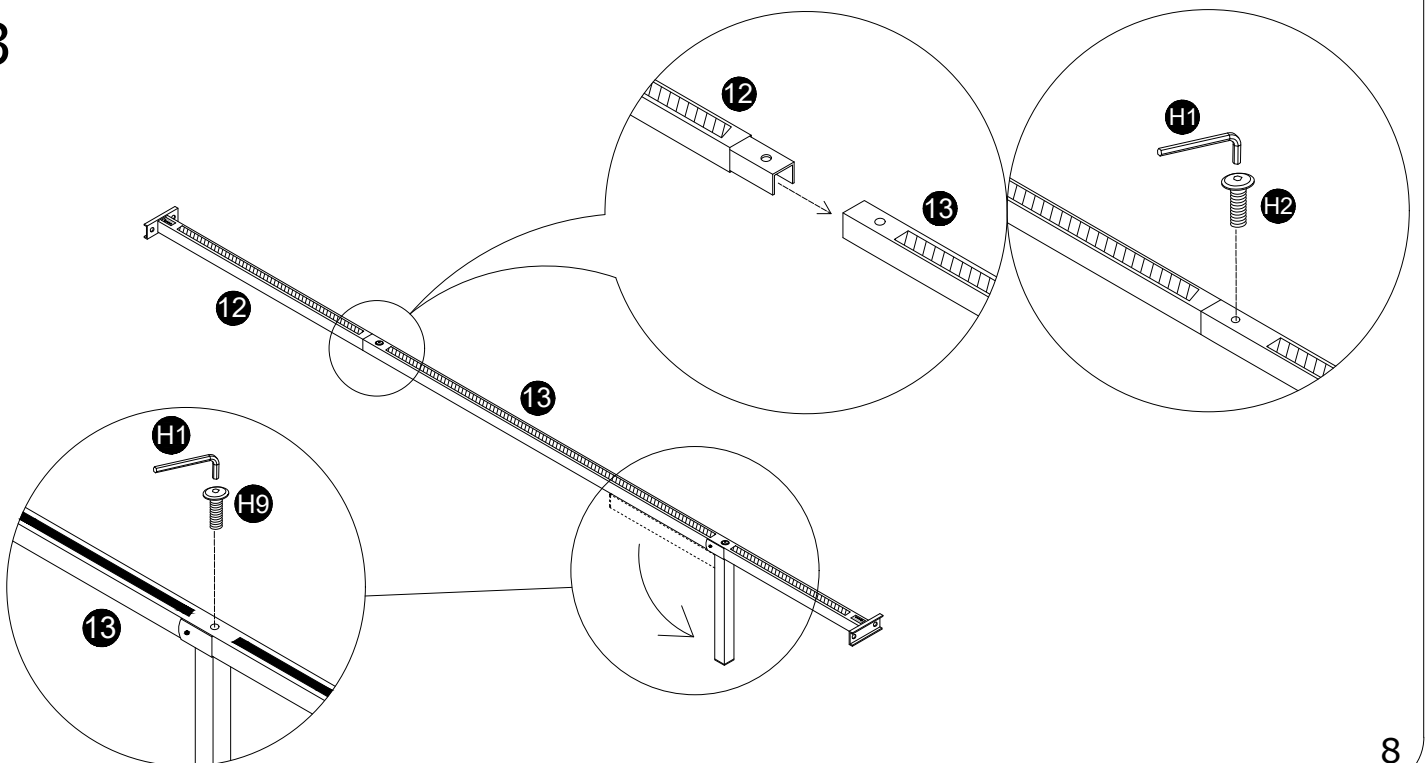
11

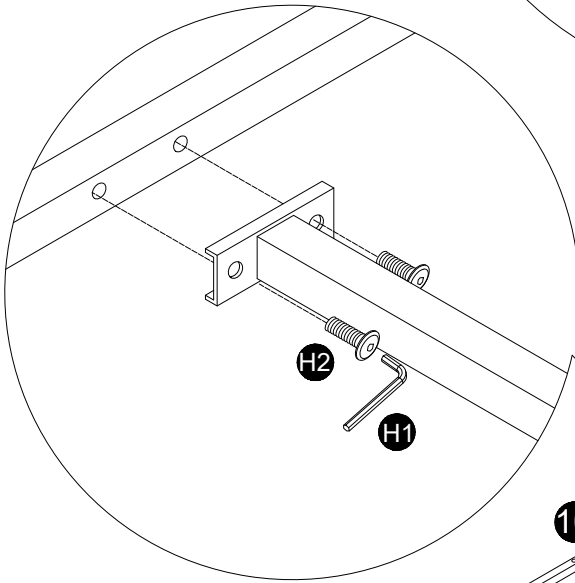
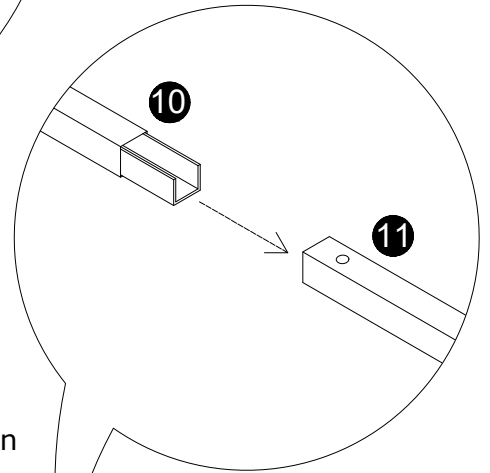
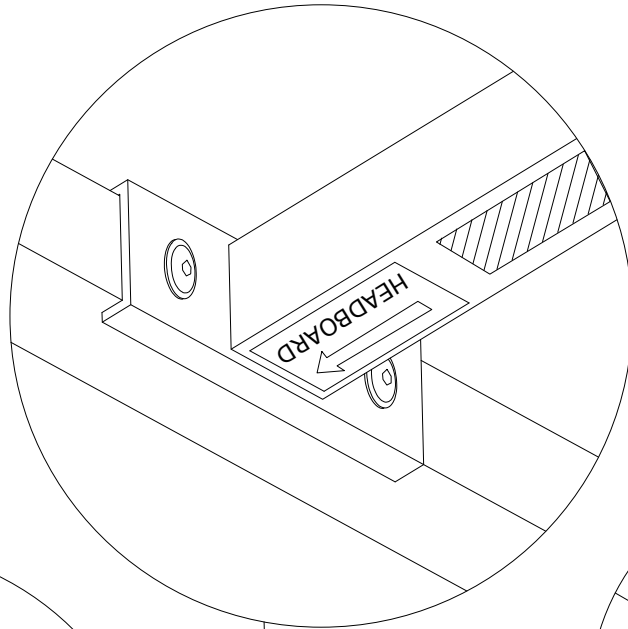


12

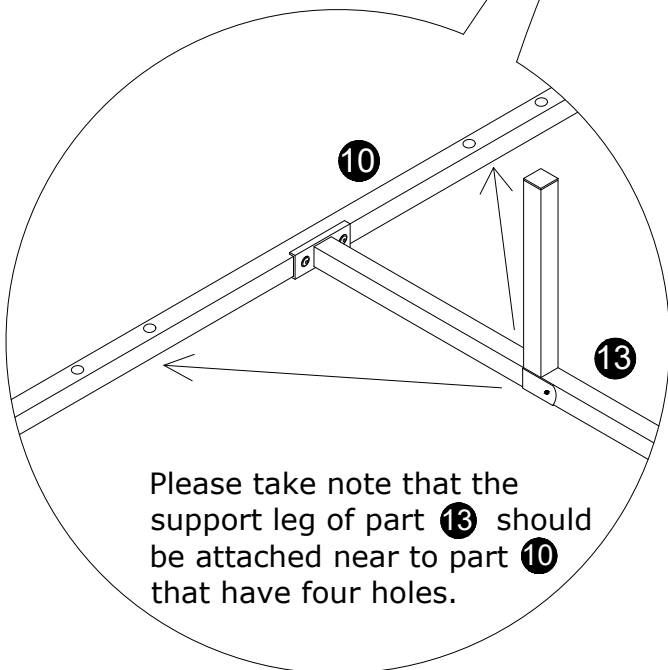
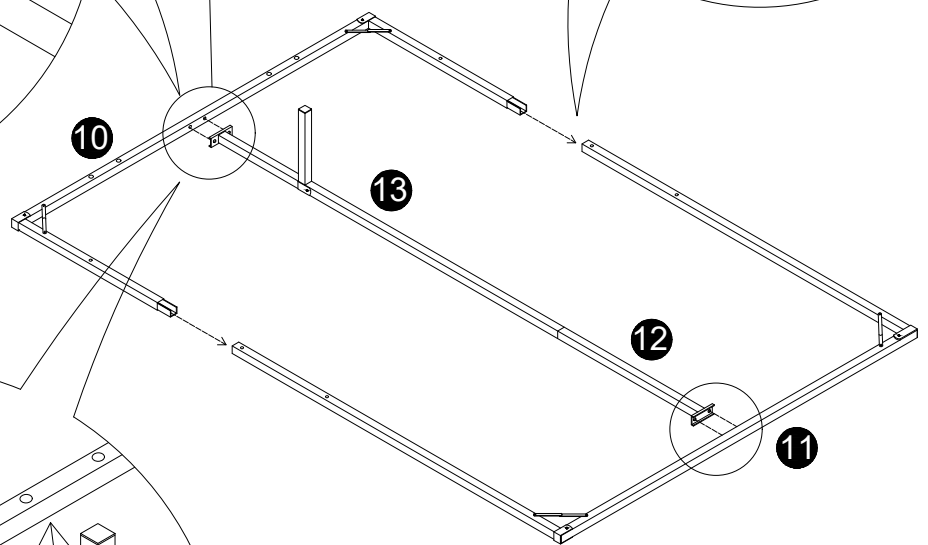


13



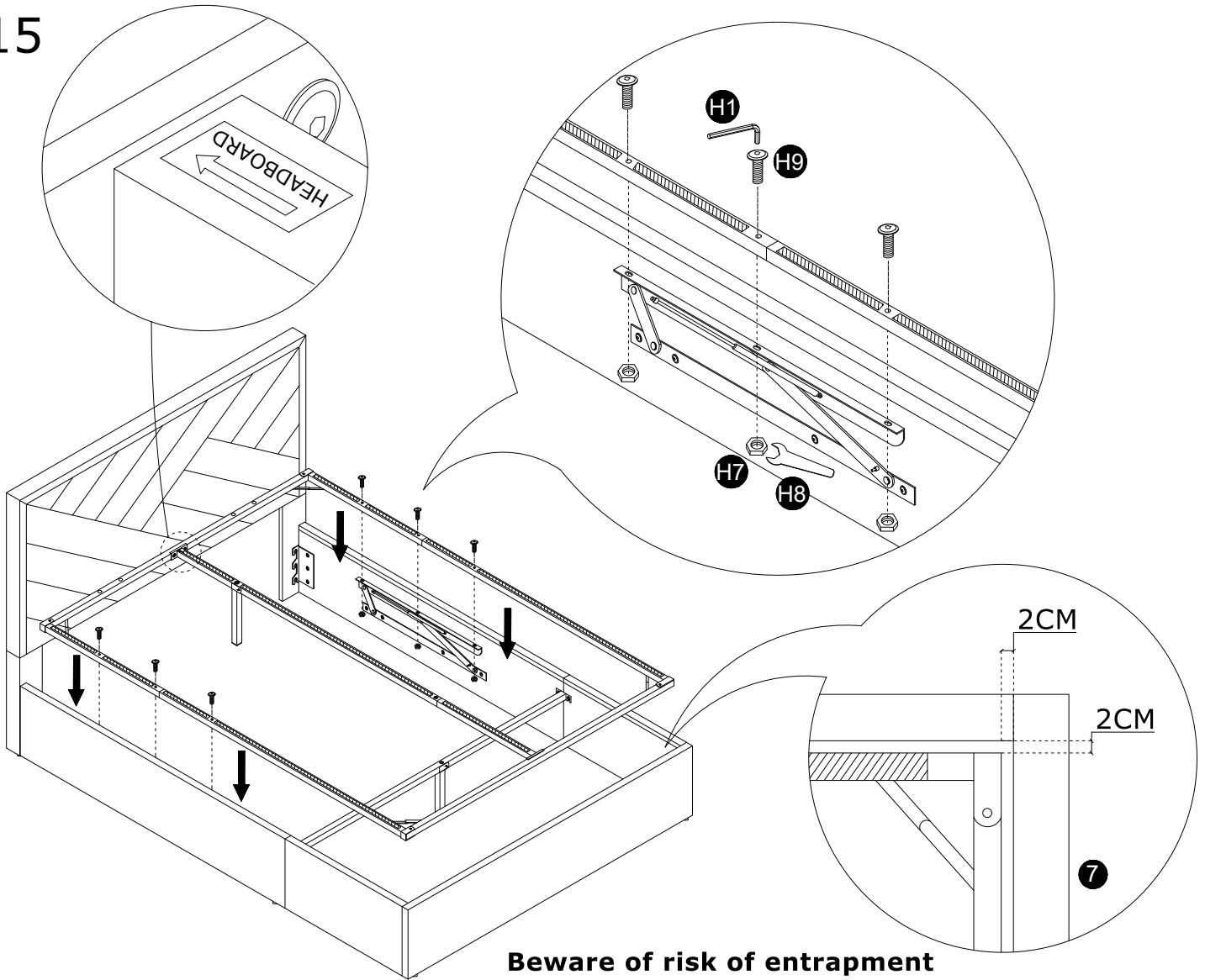


Shown upside down



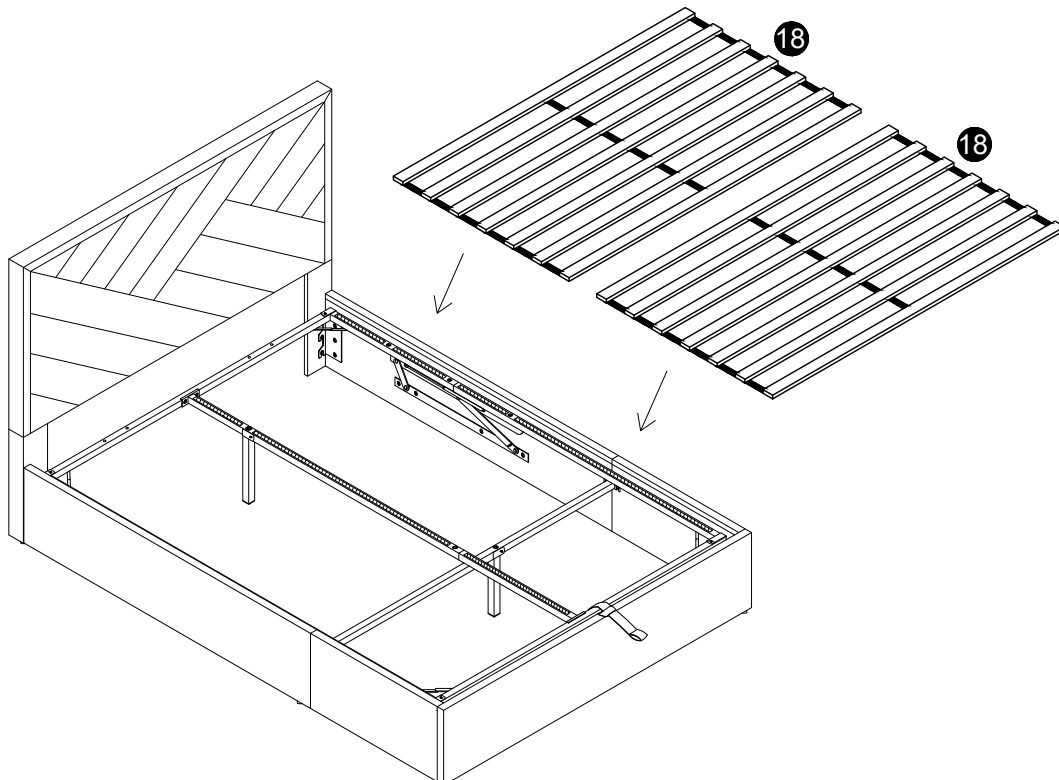
Please take note that the support leg of part **13** should be attached near to part **10** that have four holes.

15

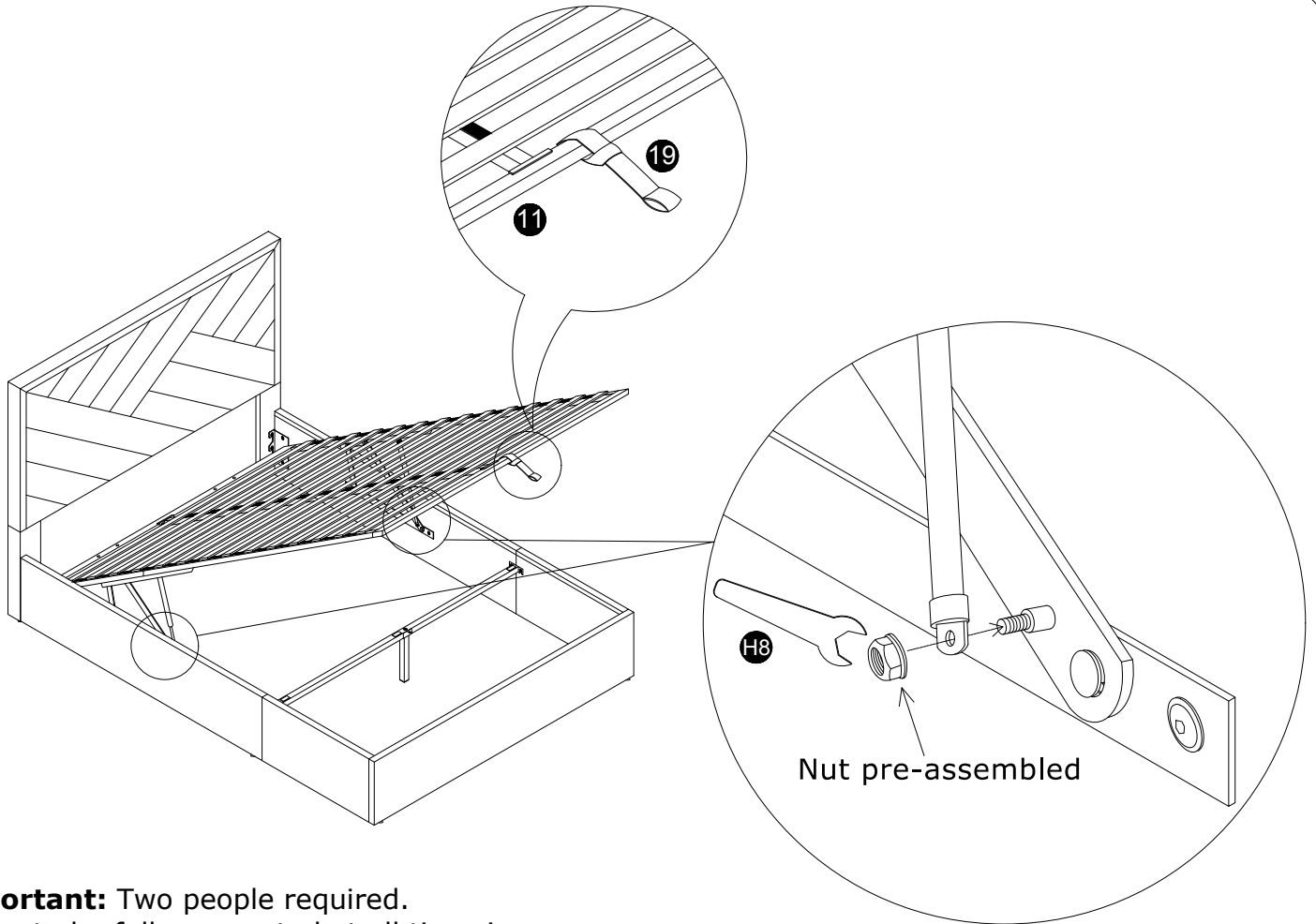


**Beware of risk of entrapment  
from folding hinges!**

16

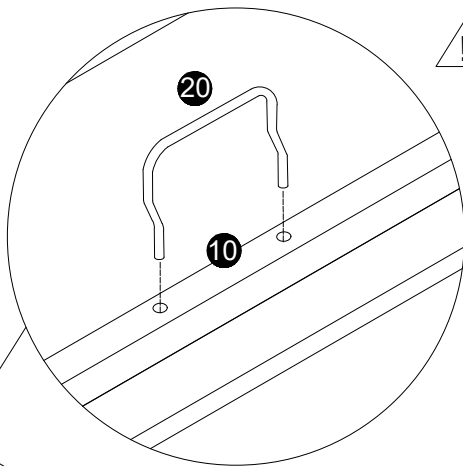


17



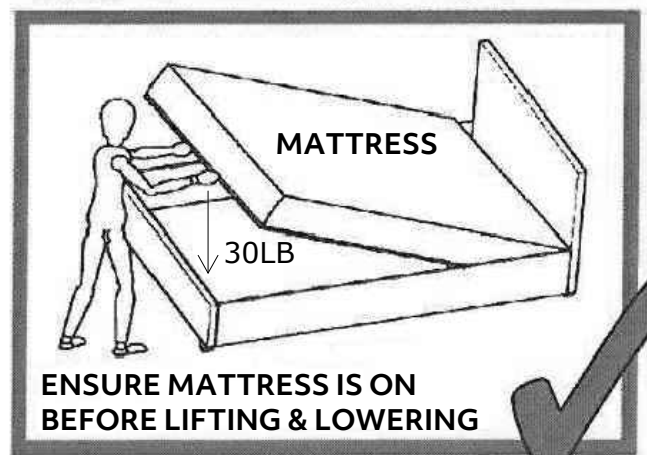
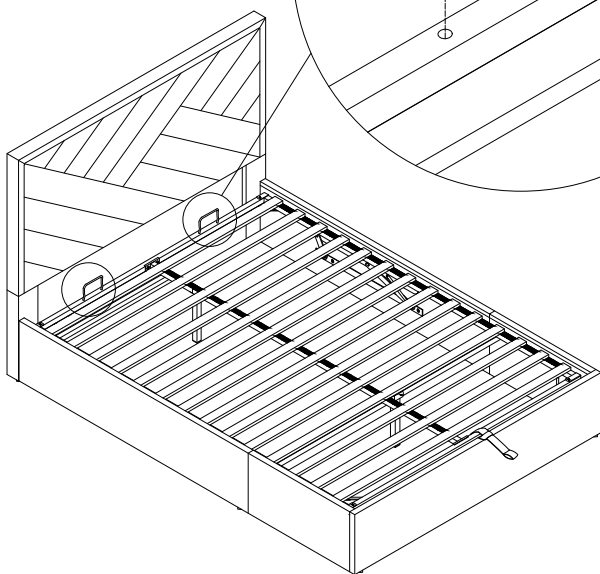
**Important:** Two people required.  
Frame to be fully supported at all times!

18



Only lift when the mattress is in place.  
Place mattress & Carefully lower frame down.  
Keep objects/body part & children away from  
moving parts.

After placing the mattress on frame,  
push down the frame with 30lbs force.



**Job Complete !**

*In the interest of our environment please dispose of all packaging thoughtfully.*