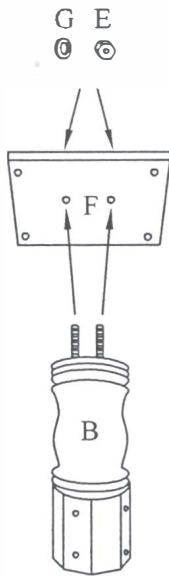
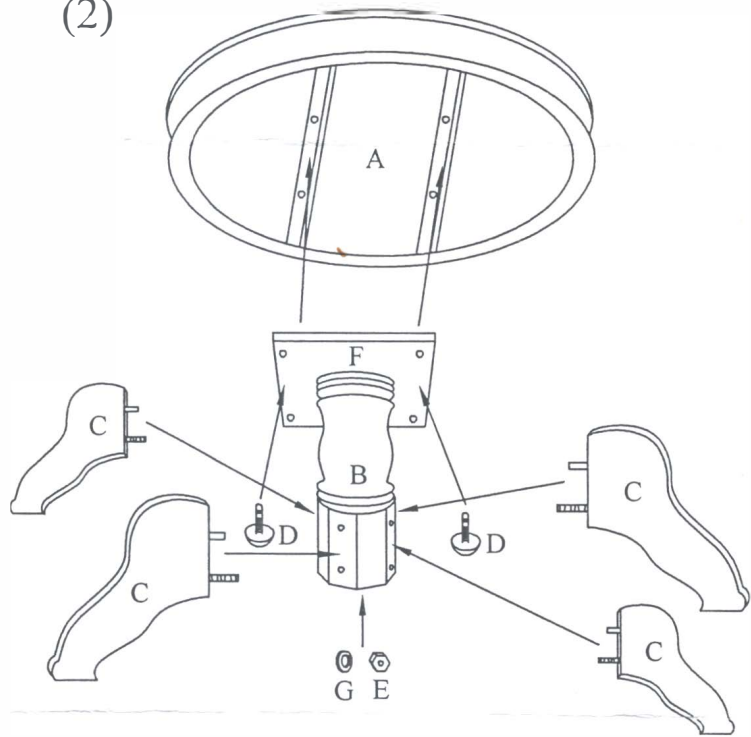


Assembly Instruction

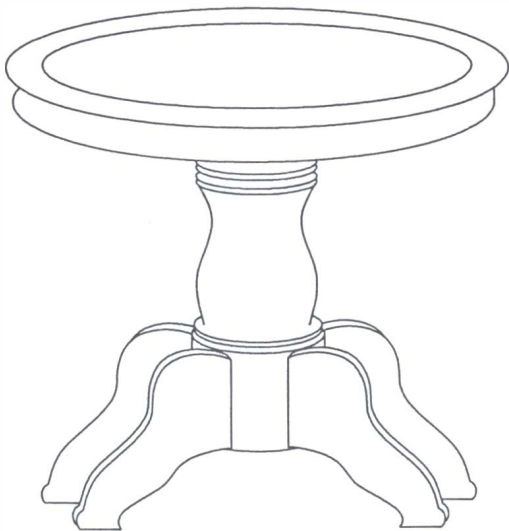
(1)



(2)



(3)



Parts:

| | | |
|---|---------------|-------|
| A | Top | 1 pc |
| B | Pole | 1 pc |
| C | Leg | 4 pcs |
| D | Screw | 4 pcs |
| E | Nut | 6 pcs |
| F | Linking Panel | 1 pc |
| G | Washer | 6 pcs |