

CARE AND MAINTENANCE

Store outdoor furniture indoors or cover well when not in use.

Remove wooden furniture from standing water. Dust regularly with small brush or vacuum

Spills should be taken care of immediately before they harden or stain with a slightly dampened sponge.

NOTICE

* Please make sure that you have all parts indicated before you begin assembly of this item

* This item should be assembled on a soft surface to prevent scratching the finish during assembly

* This item may require periodic tightening

Weight Capacity : 600 Ibs

Warning : Do not stand on chair

Warning : Do not over torque bolts / screws



Part List and Hardware List

PIECE	DESCRIPTION	PICTURE	QUANTITY
A	Top Table		1X
B	Inner leg		1X
C	Outer leg		1X
D	Bolt	 M8x35	6X
E	Washer	 M8.5/20X20	6X
F	Nut	 M8x15	6X
G	Allen key	 LG4	2X

Product Dimensions: 35.43" W x 35.43" D x 29.52" H



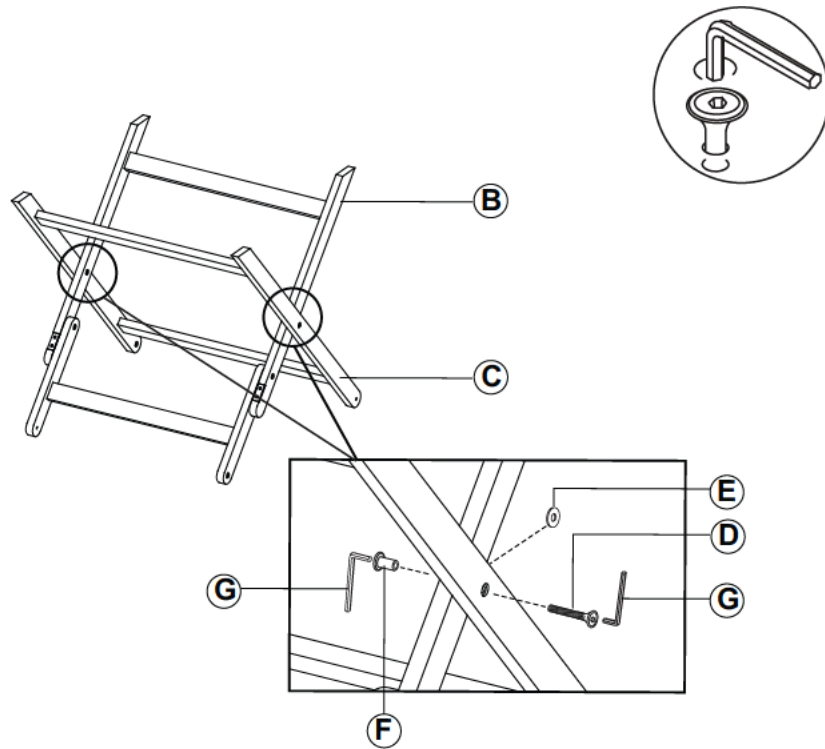
PREPARATION

Before beginning assembly of product, make sure all parts are present. Compare parts with package contents list and hardware contents list. If any part is missing or damaged, do not attempt to assemble the product.

Estimated Assembly Time: 10 minutes.

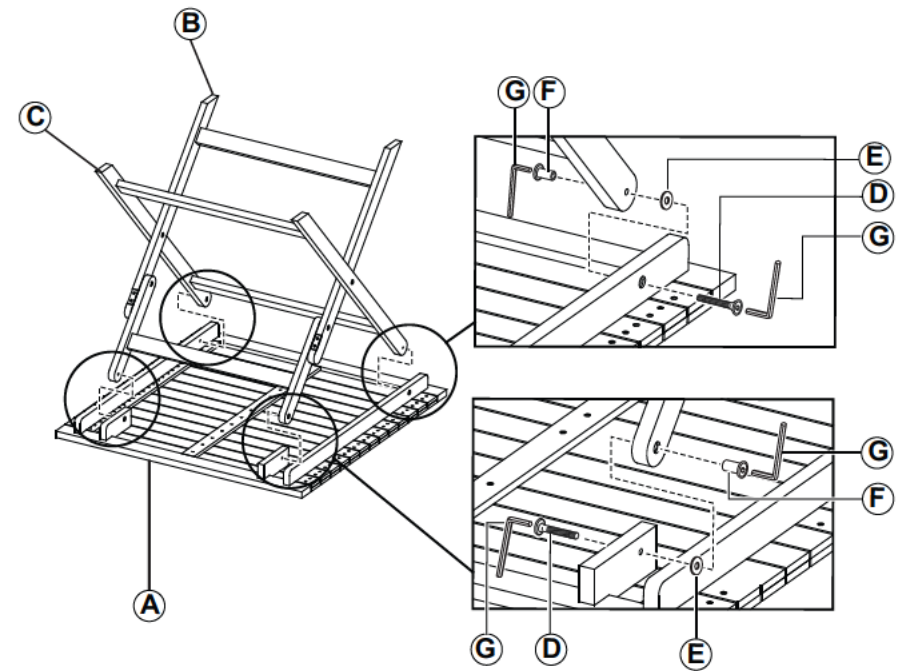
Tools Required for Assembly (included): Allen Key

1



Step 1

Attach Inner leg (B) to Outer leg (C), by using bolt (D), Washer (E), Nut (F) and screw (G), tighten with allen (G).



Step 2

Attach Inner leg (B), Outer leg (C) to Top table (A) by using bolt (D), Washer (E) and Nut (F), tighten with allen (G).

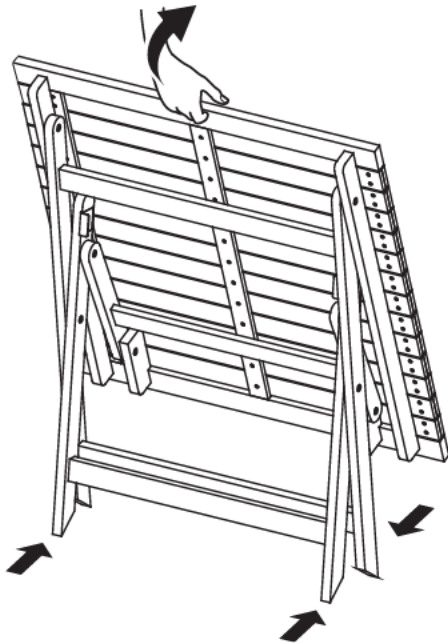
PREPARATION

Before beginning assembly of product, make sure all parts are present. Compare parts with package contents list and hardware contents list. If any part is missing or damaged, do not attempt to assemble the product.

Estimated Assembly Time: 10 minutes.

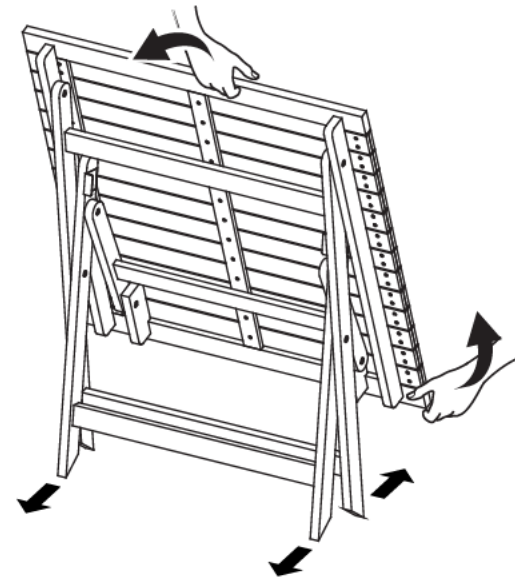
Tools Required for Assembly (included): Allen Key

3



Step 3
Open the table according to the arrow.

4



Step 4
Open the table according to the arrow.

PREPARATION

Before beginning assembly of product, make sure all parts are present. Compare parts with package contents list and hardware contents list. If any part is missing or damaged, do not attempt to assemble the product.

Estimated Assembly Time: 10 minutes.

Tools Required for Assembly (included): Allen Key

5



Step 5
Open the table according to the arrow.

6



Step 6
Complete product.