



12'×12' WOOD-LOOKING FINISH  
HARDTOP GAZEBO WITH DOUBLE ROOF

# ASSEMBLY MANUAL



Missing part? Damaged? Contact us via email at

[domiservice01@outlook.com](mailto:domiservice01@outlook.com)

# READ ALL INSTRUCTIONS BEFORE USE

## Warning & Attention

-This gazebo is not a toy. Children are not allowed to assemble or disassemble. Please take care of children, do not let them play around when assemble or disassemble.

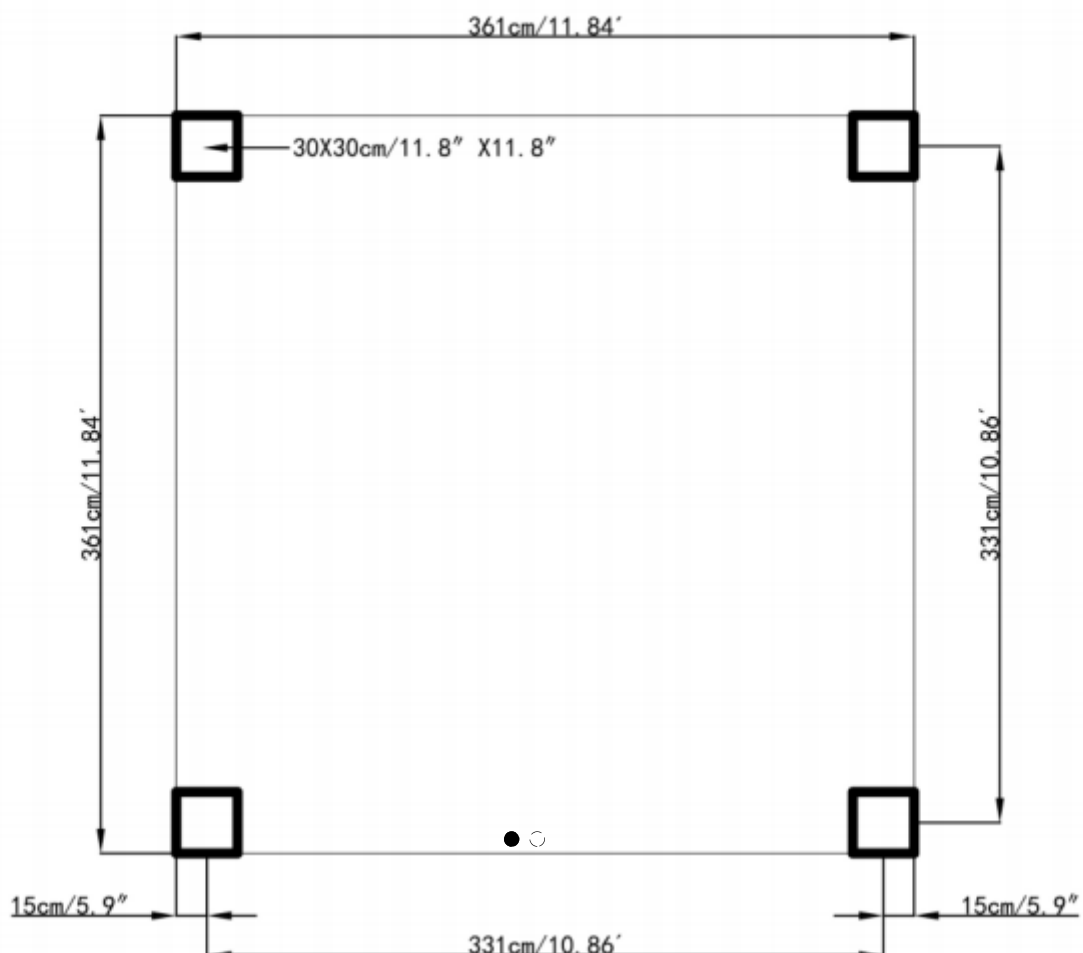
-Adults only for assemble or disassemble this product.






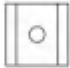








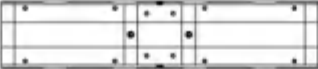



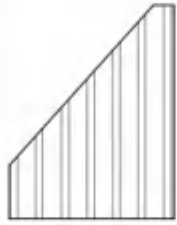











-This product is constructed with heavy duty frame, please do not lean or climb before it finish assembling.

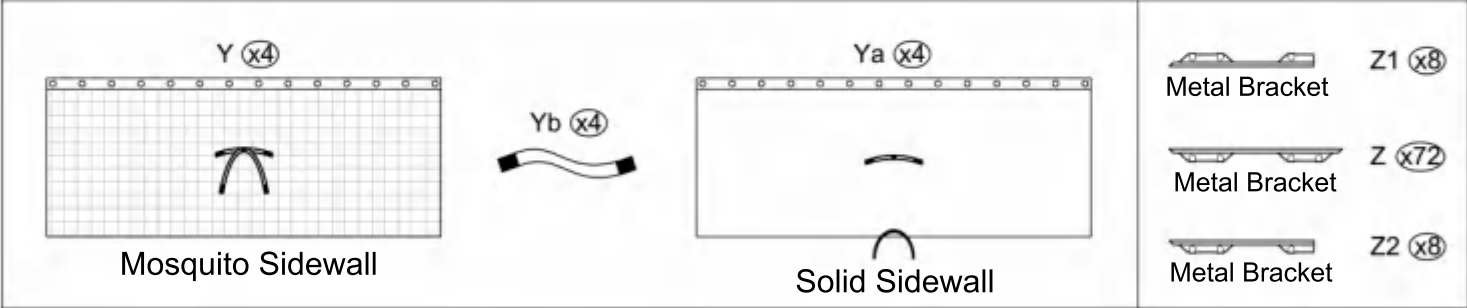
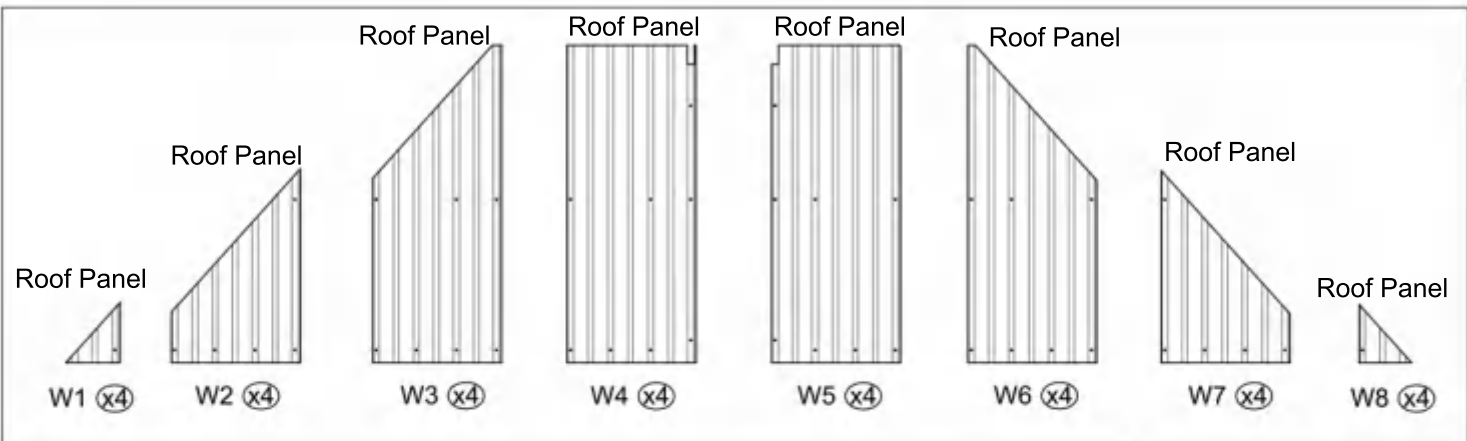
-Even though our hardtop gazebo is sturdy, please do not stand under the gazebo during a lightning storm.

-DO NOT use this gazebo if any parts show signs of instability or damage.

## 12'x12' ANCHOR BLUEPRINT



					
Pole A (x4)		Net Frame P1 (x4)			
					
Beam B (x4)		Finishing End R (x8)			
					
Jointer Bar B1 (x4)		Spacer S (x116)			
					
Sidewall Track B2 (x4)		Finishing Bar T1 (x4)			
					
Beam C (x4)		Solidifying Bar U1 (x8)			
					
Jointer Bar C1 (x4)		Solidifying Bar U3 (x4)			
					
Sidewall Track C2 (x4)		Solidifying Bar U4 (x4)			
					
Union Bar F (x4)		Inside Roof Connector K (x1)			
					
Corner Cover G (x4)	Joint Cover H (x4)				
					
Joint Cover H1 (x4)	Joint Cover H2 (x1)				
					
Corner Solidifying Bar J1 (x4)		Base L (x4)			
					
Corner Solidifying Bar J2 (x4)		Corner Roof Bar M (x4)			
					
Roof Bar N (x4)		Roof Panel V1 (x4)			
					
Finishing Bar P (x4)		Roof Panel V4 (x4)			





	M6x16	Screws	1# x213+3
---	-------	--------	--------------


	M6x20	Screws	2# x16+2
---	-------	--------	-------------

		Screws	3# x16+2
---	--	--------	-------------

		Hook	4# x112
---	--	------	------------


	M6x28	Screws	5# x72+3
---	-------	--------	-------------


	M6x45	Screws	6# x8+1
---	-------	--------	------------

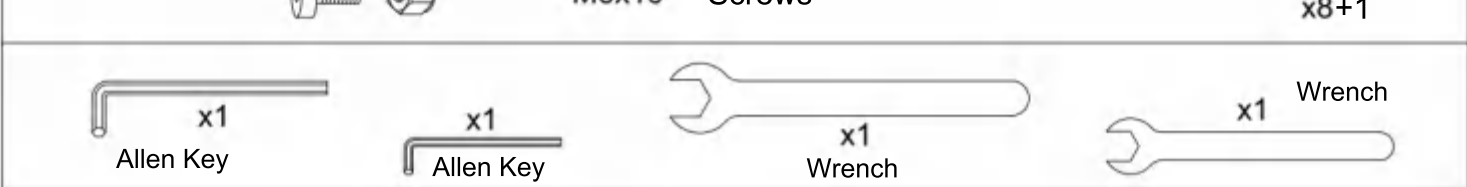
	M6x50	Screws	7# x32+2
---	-------	--------	-------------

	M5x16	Screws	8# x4+1
---	-------	--------	------------

	ST4.8x13	Screws	9# x24+2
---	----------	--------	-------------

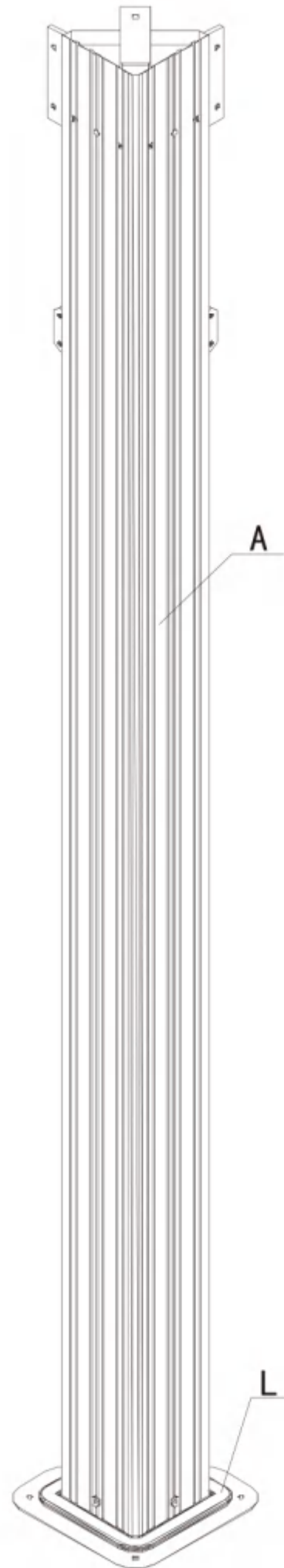
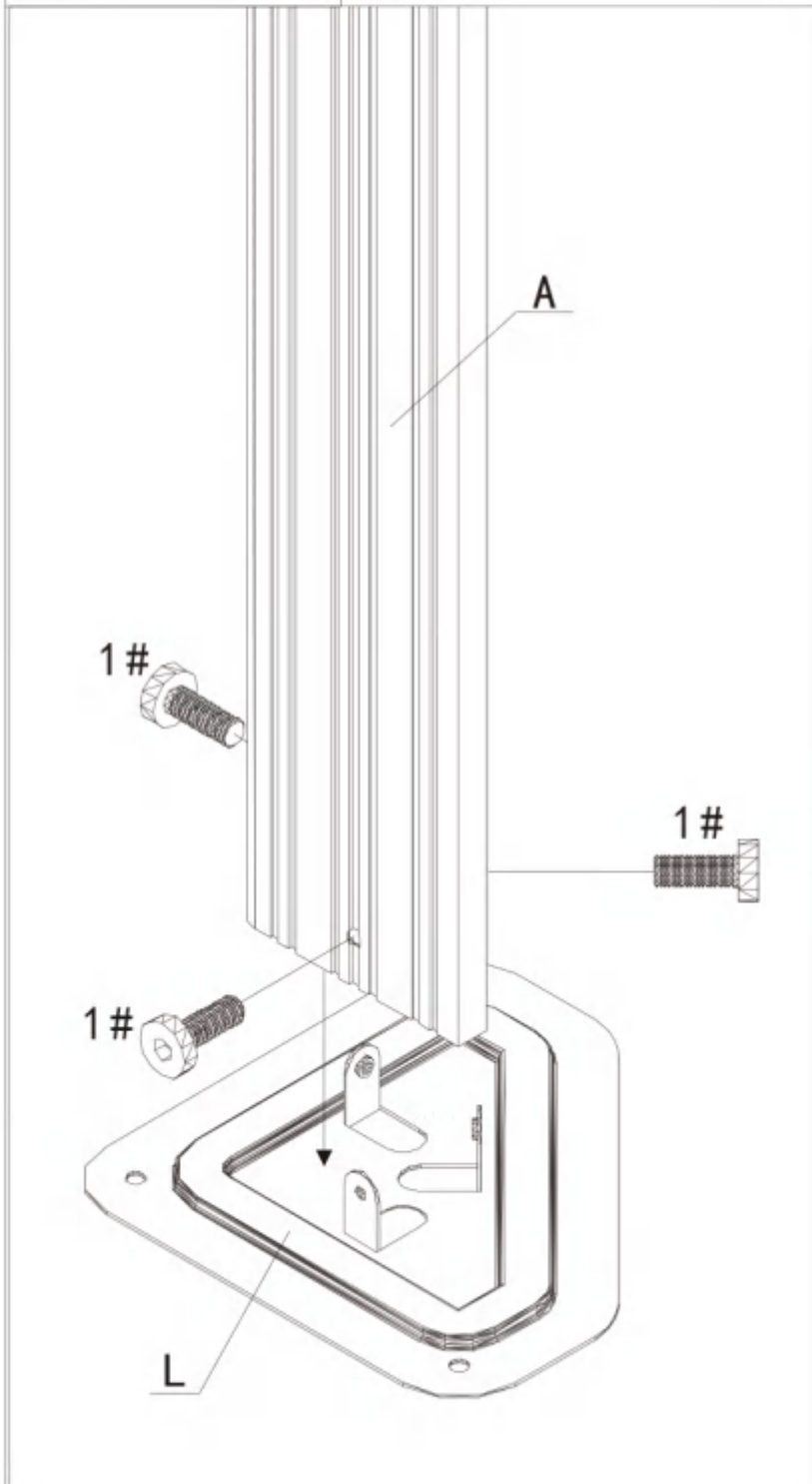
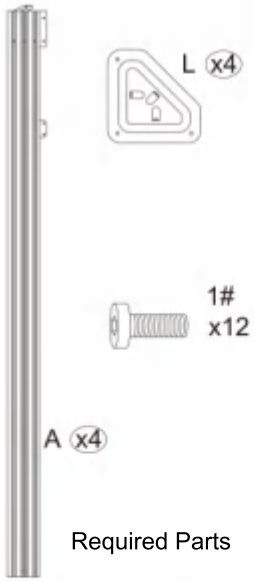
	M6x25	Screws	10# x4+1
---	-------	--------	-------------

	M6x10	Screws	11# x8+1
---	-------	--------	-------------



# Step 1:

Connect part A and part L using #1 screws.







2#  
x16

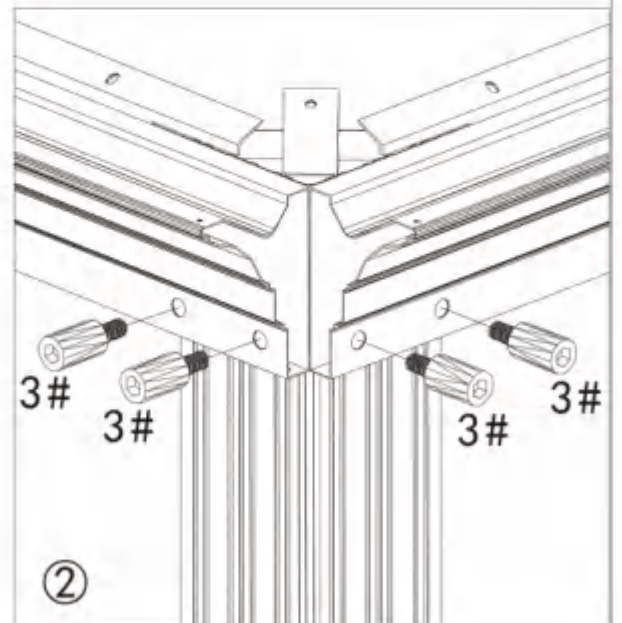
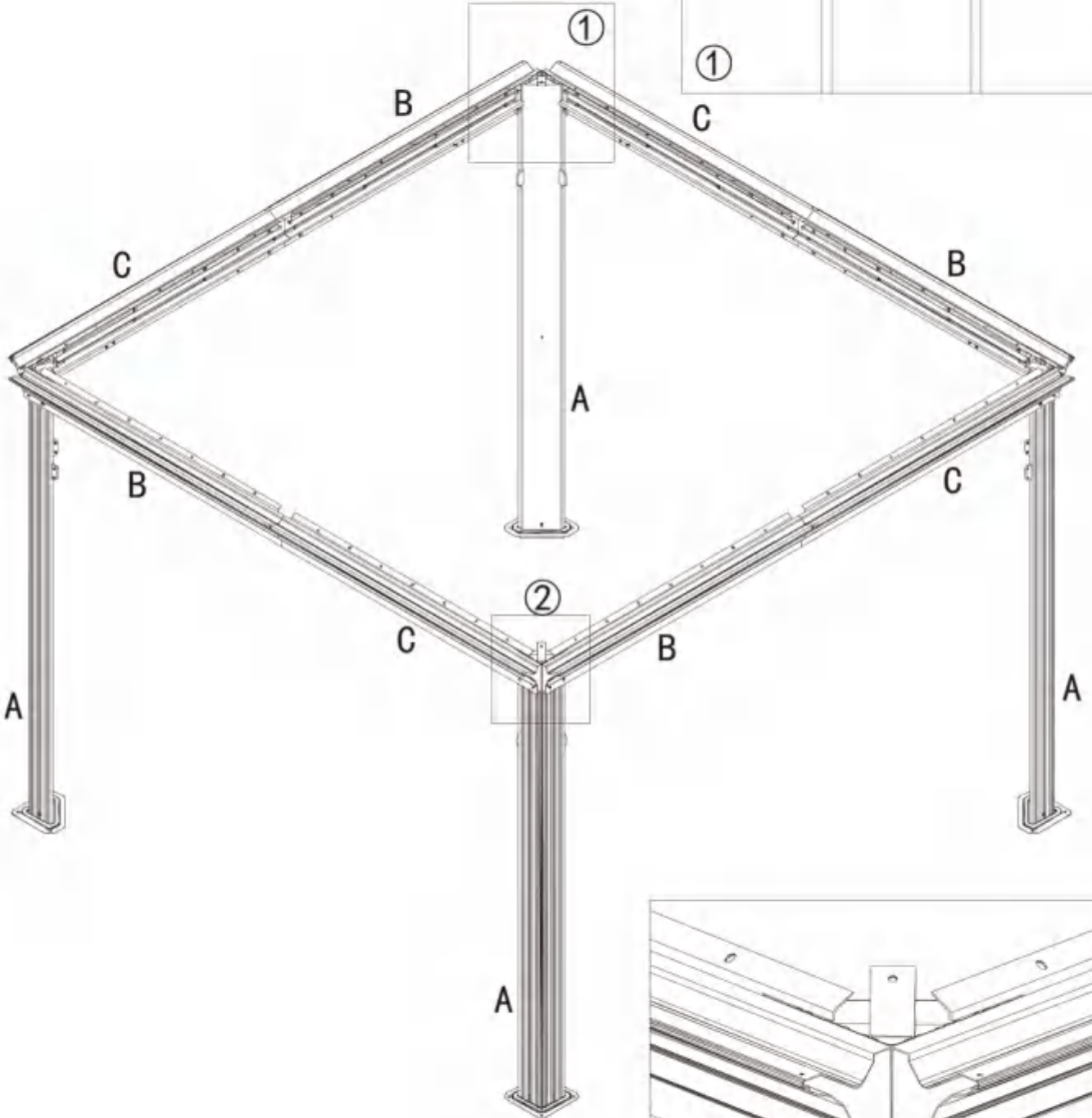
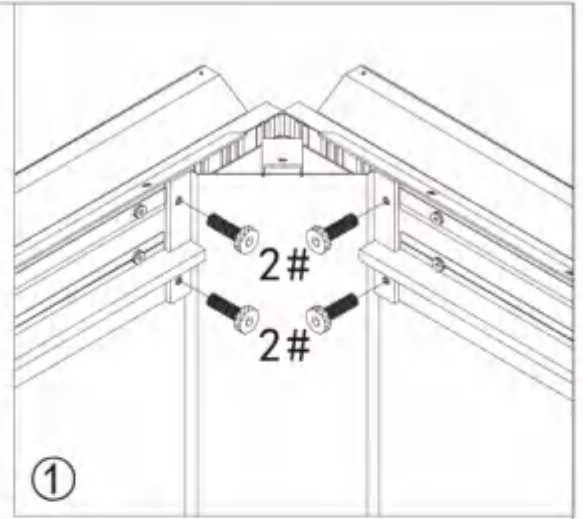


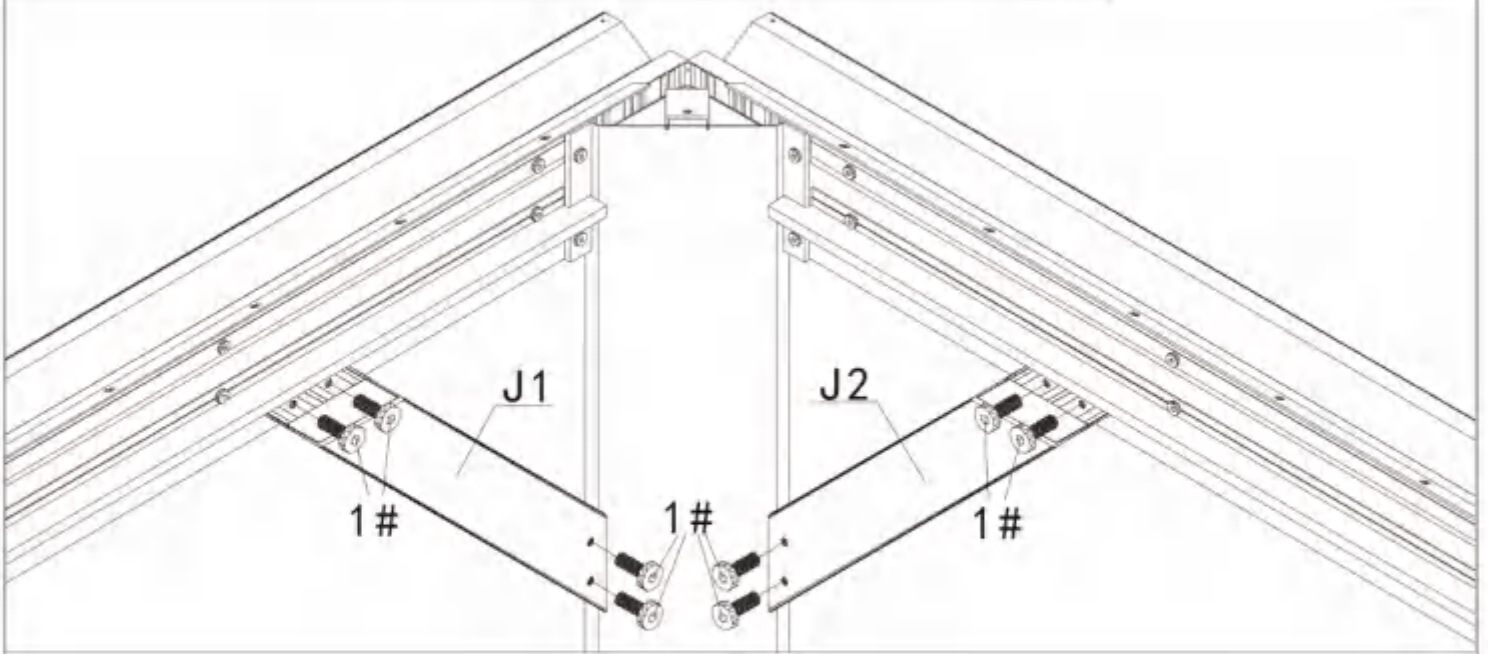
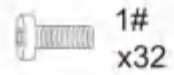
3#  
x16

# Step 4:

Connect Poles and Beams together with Screws(2# &3#).

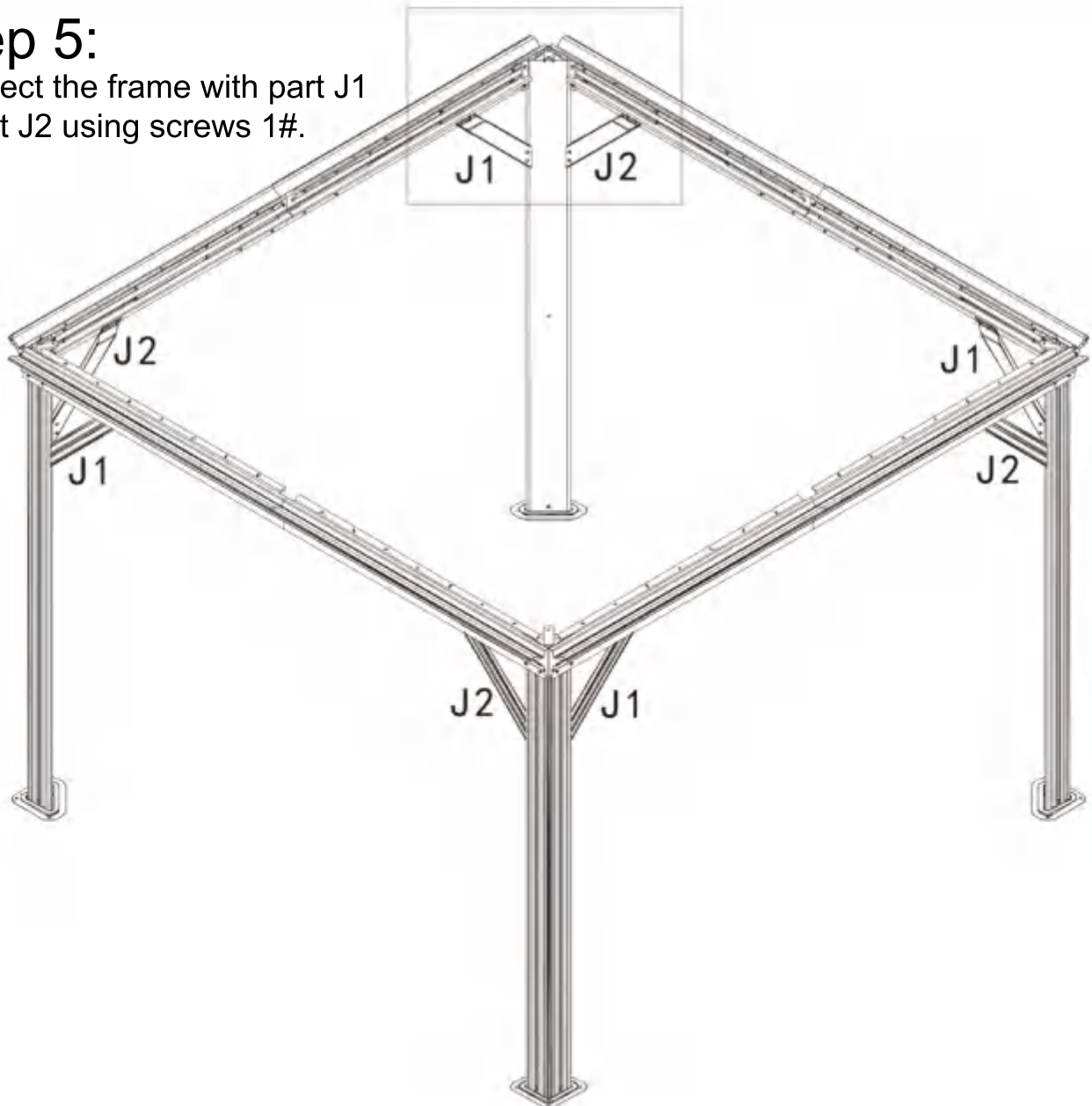
Replicate four times.





## Step 5:

Connect the frame with part J1 & part J2 using screws 1#.





G x4



H x4



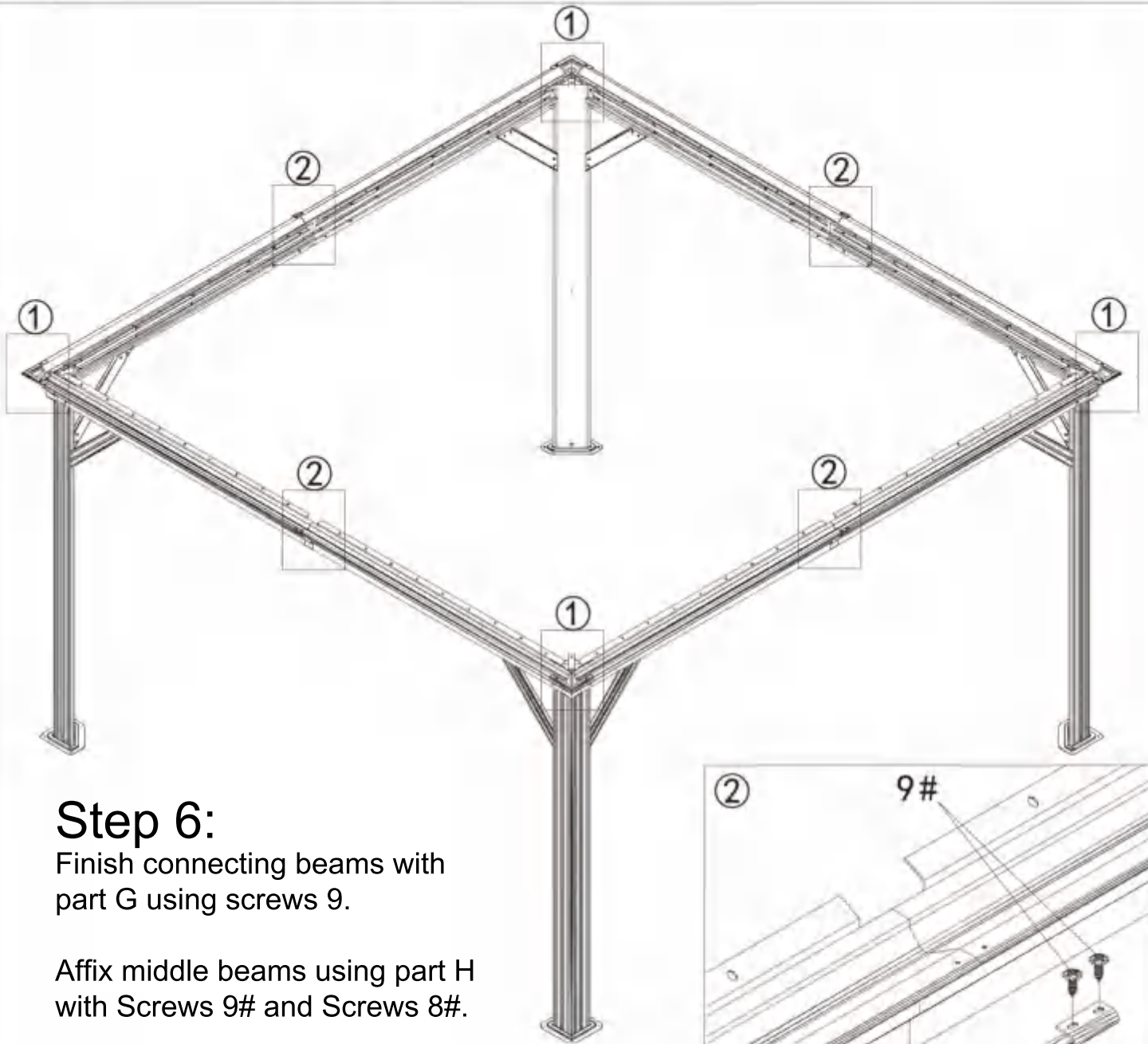
8#  
x4



9#  
x24



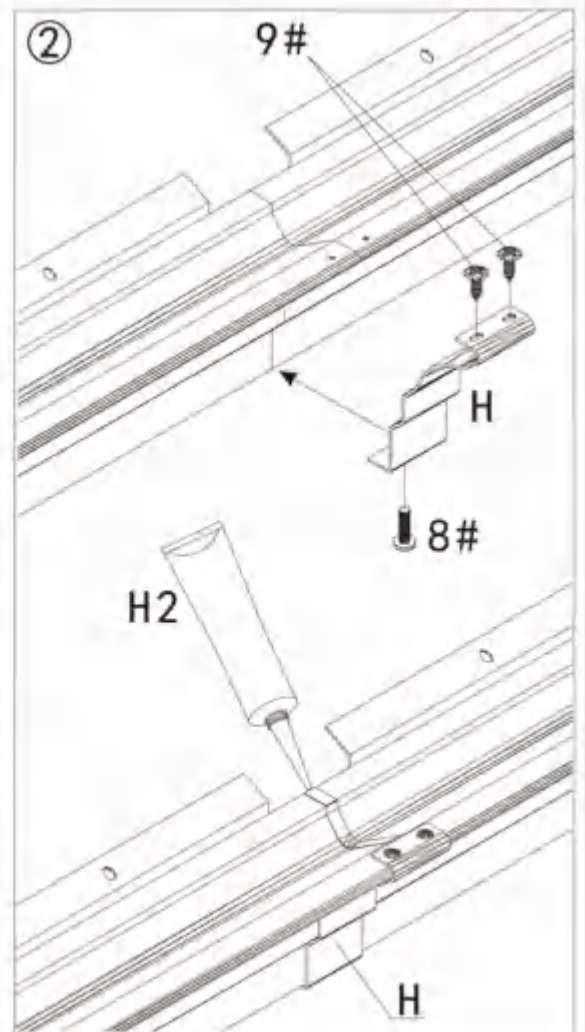
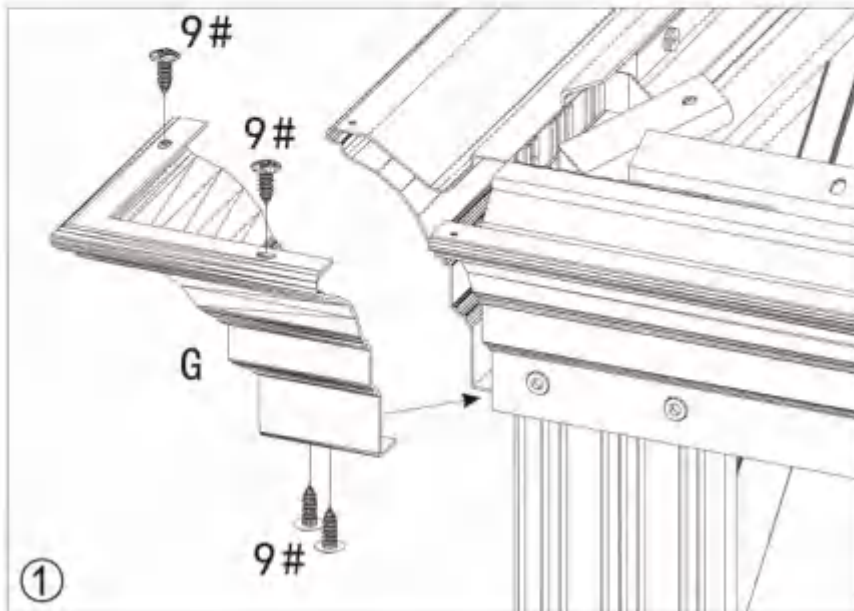
H2 x1



## Step 6:

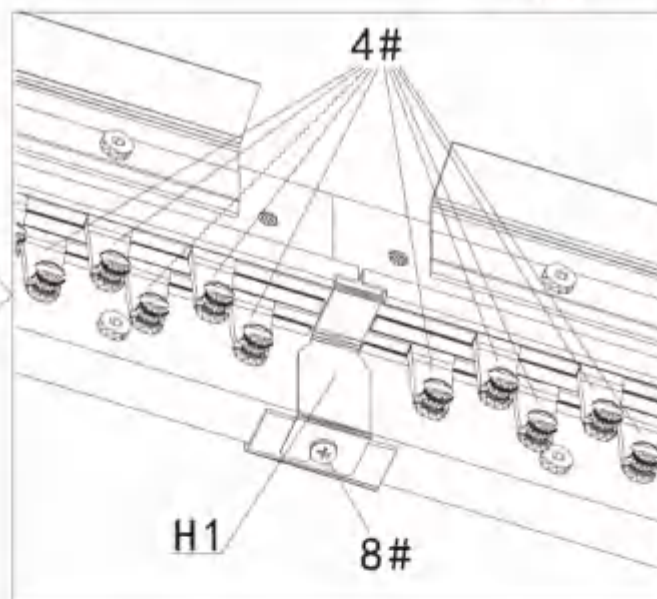
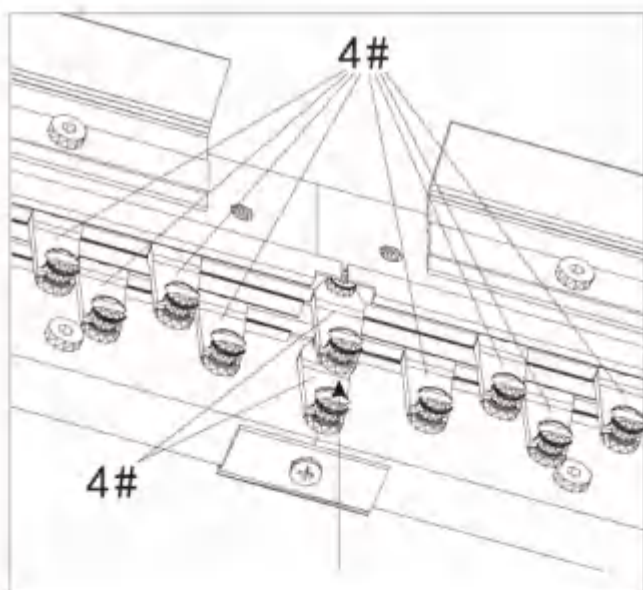
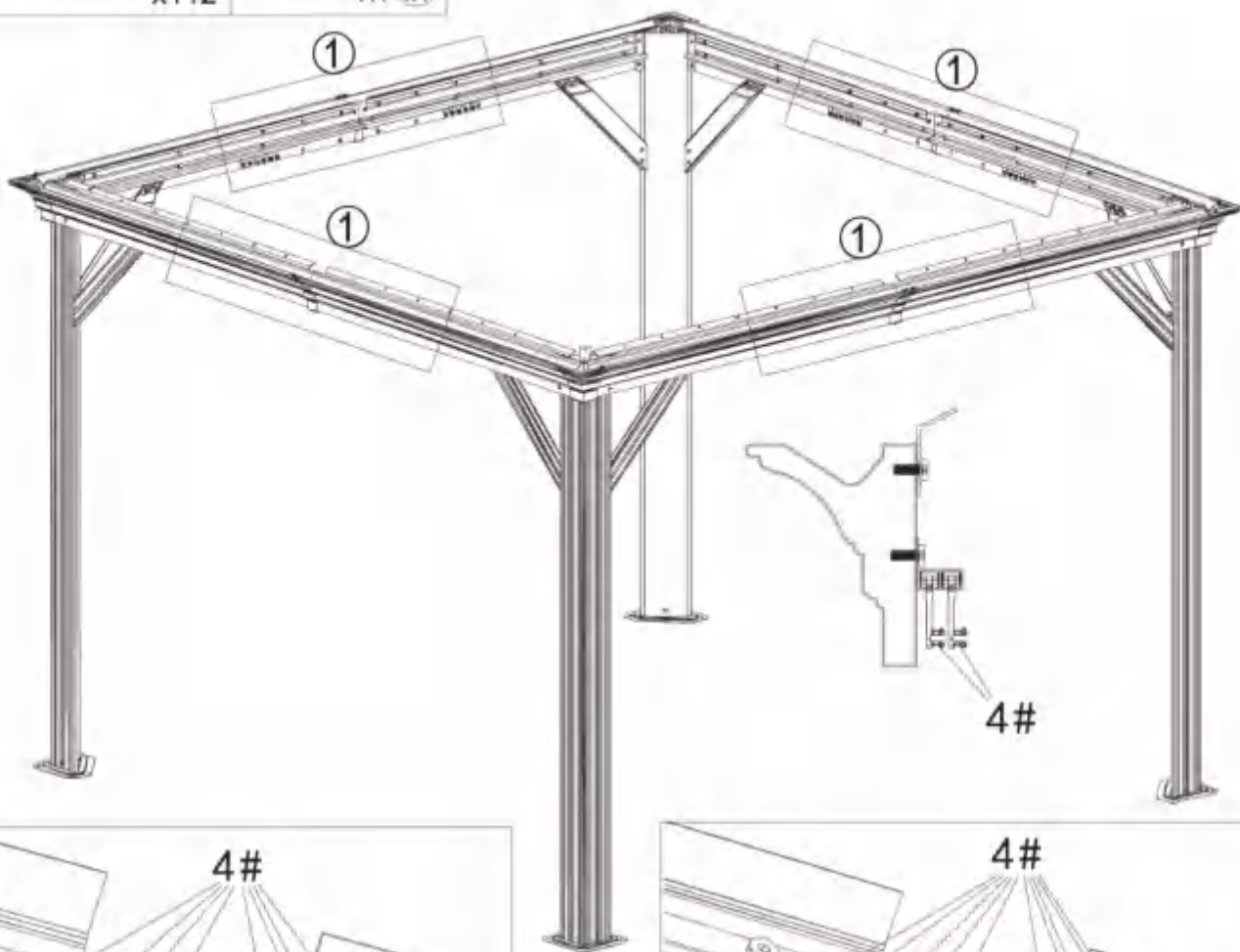
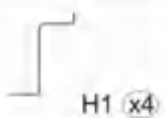
Finish connecting beams with part G using screws 9.

Affix middle beams using part H with Screws 9# and Screws 8#.

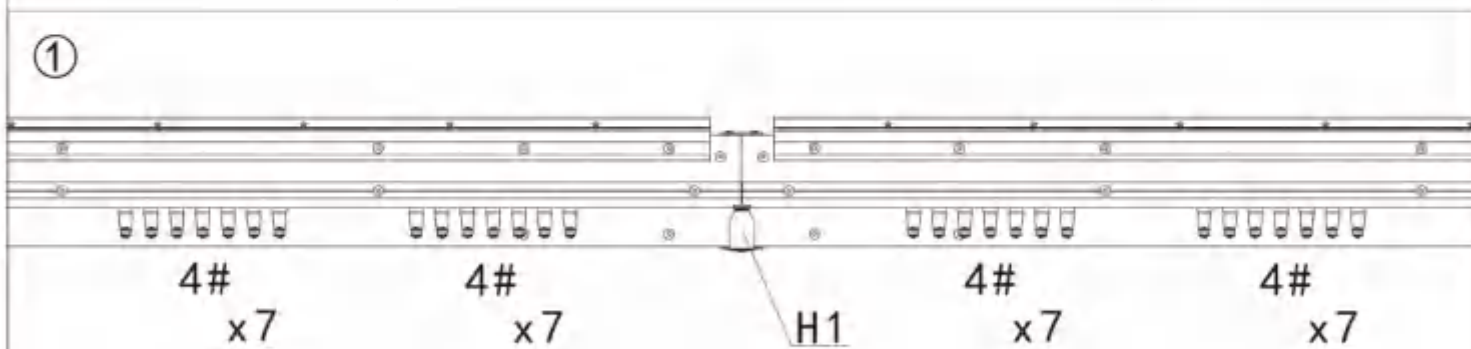




4#  
x112



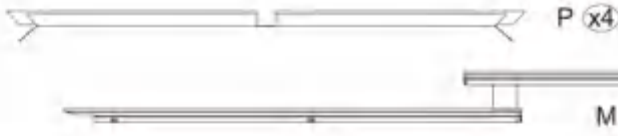
After completing the hook track, lock them with H1 using screws 8#.



Step 7: Put Hooks on Sidewall Track as shown in the diagram.



K x1



P x4

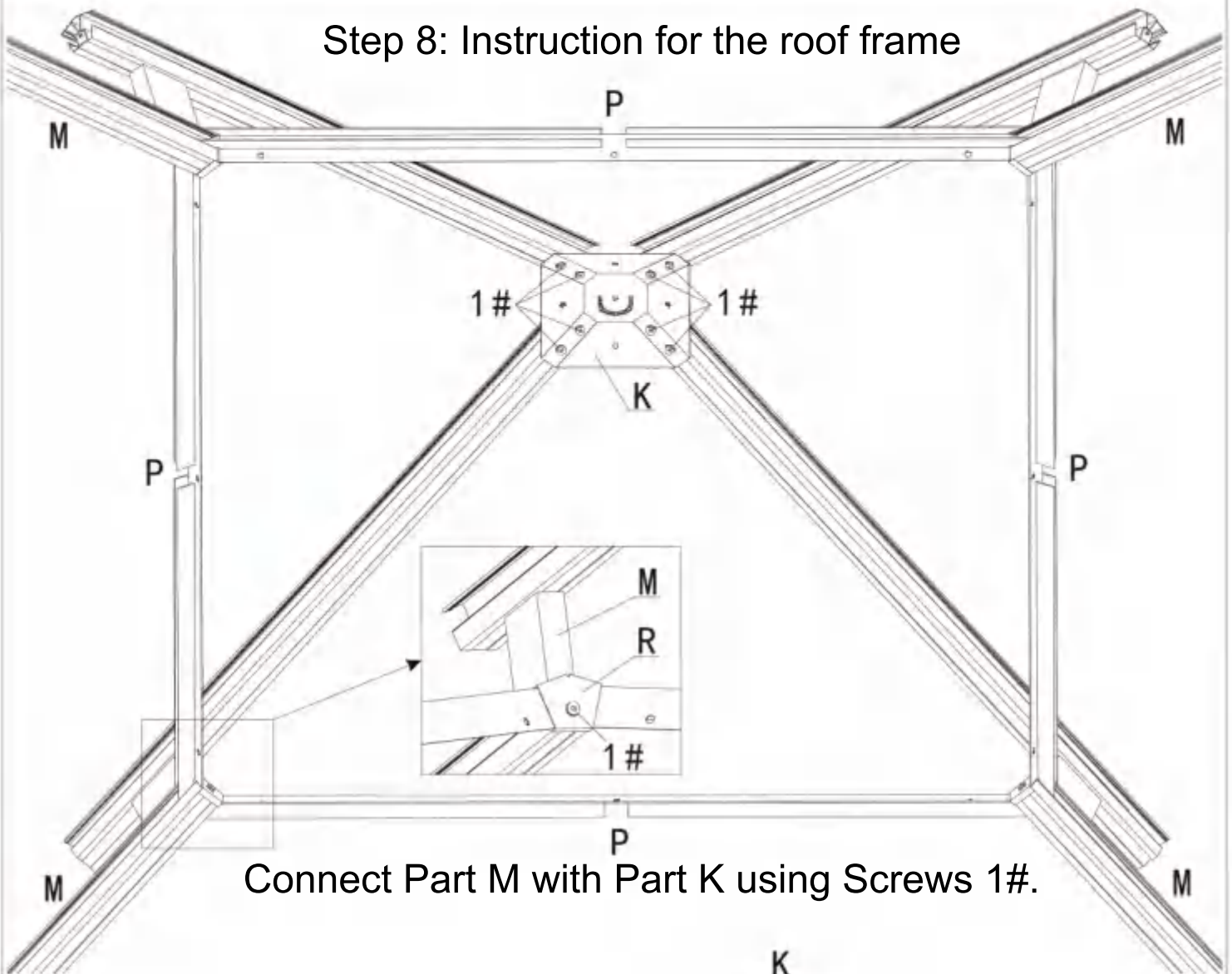


R x4



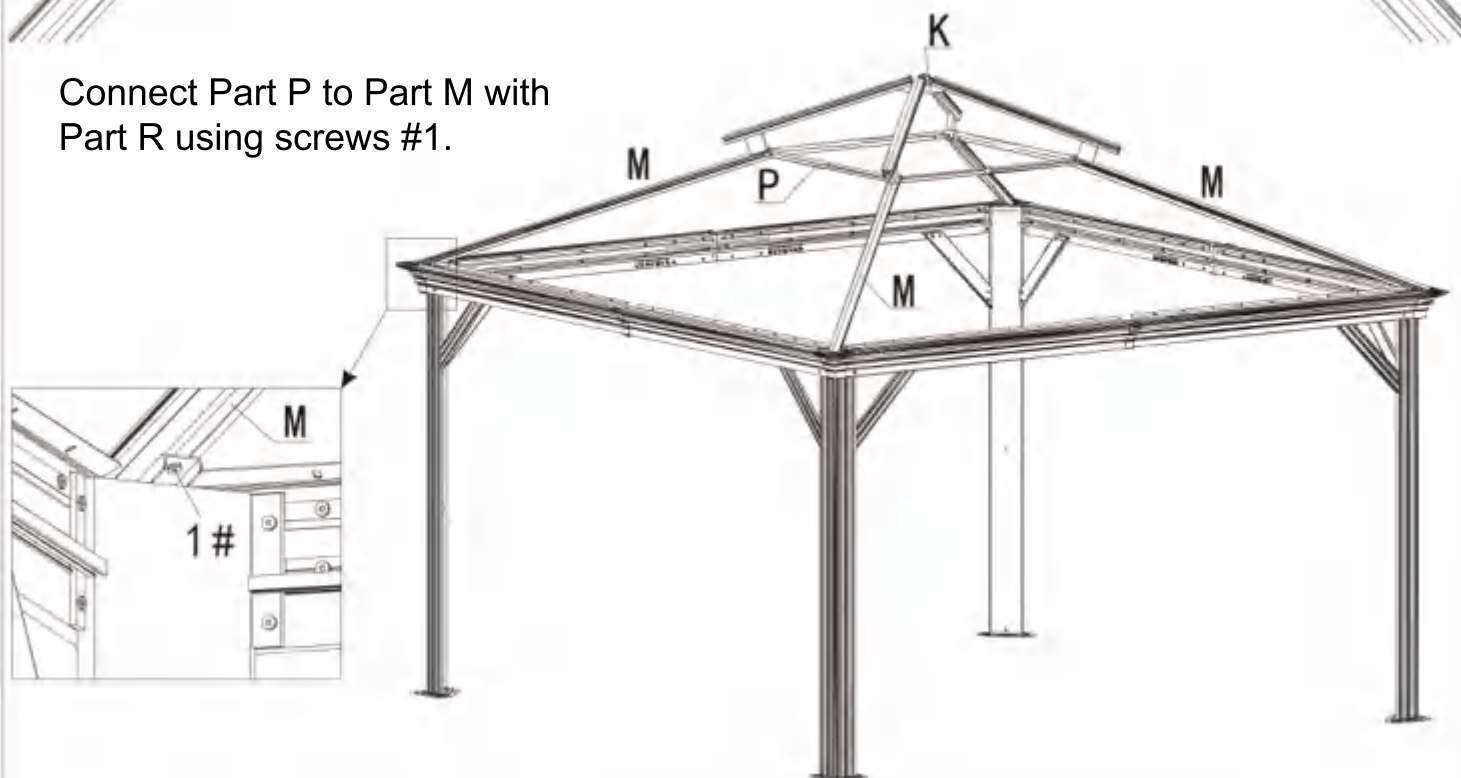
1#  
x16

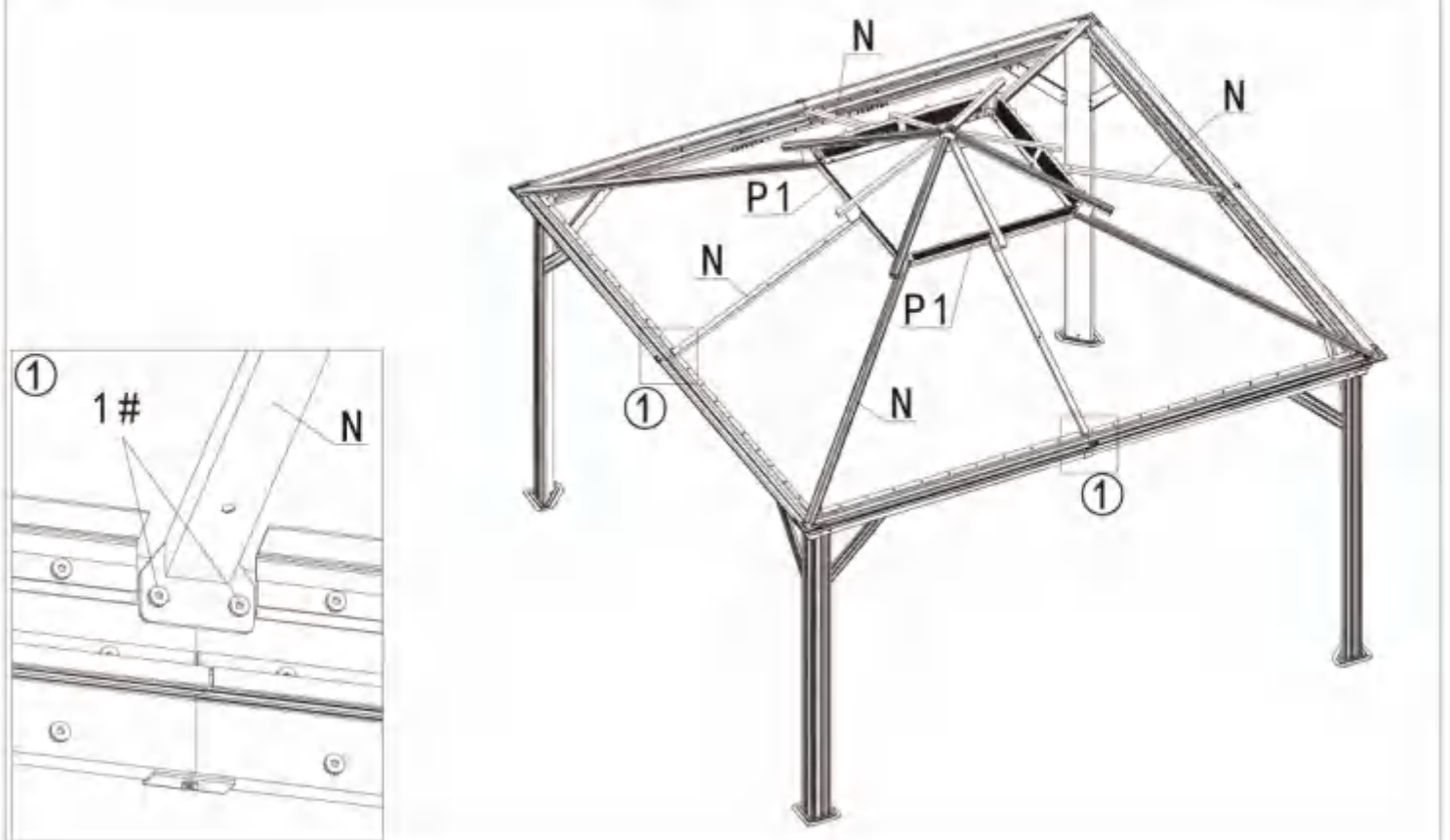
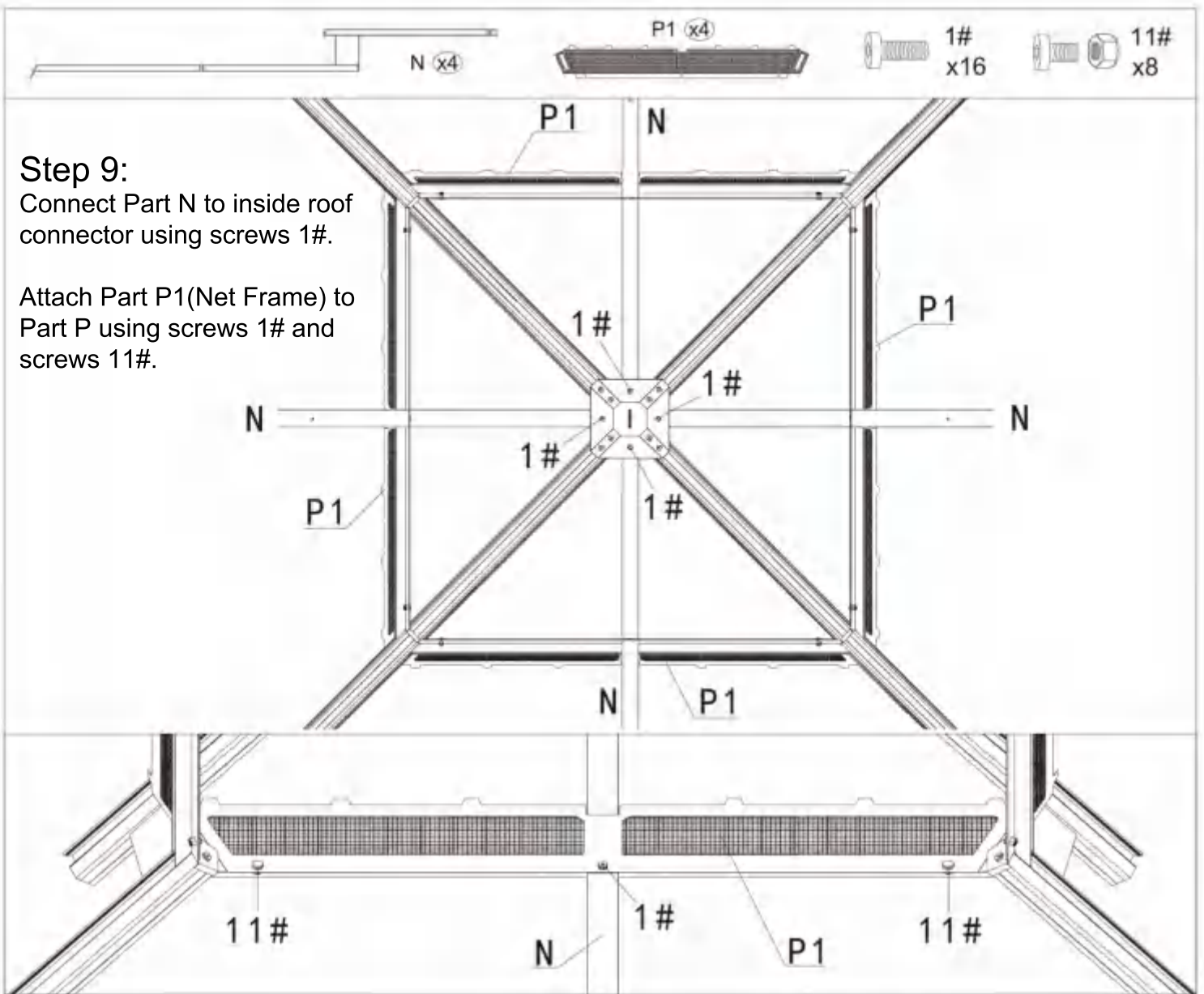
### Step 8: Instruction for the roof frame



Connect Part M with Part K using Screws 1#.

Connect Part P to Part M with Part R using screws #1.



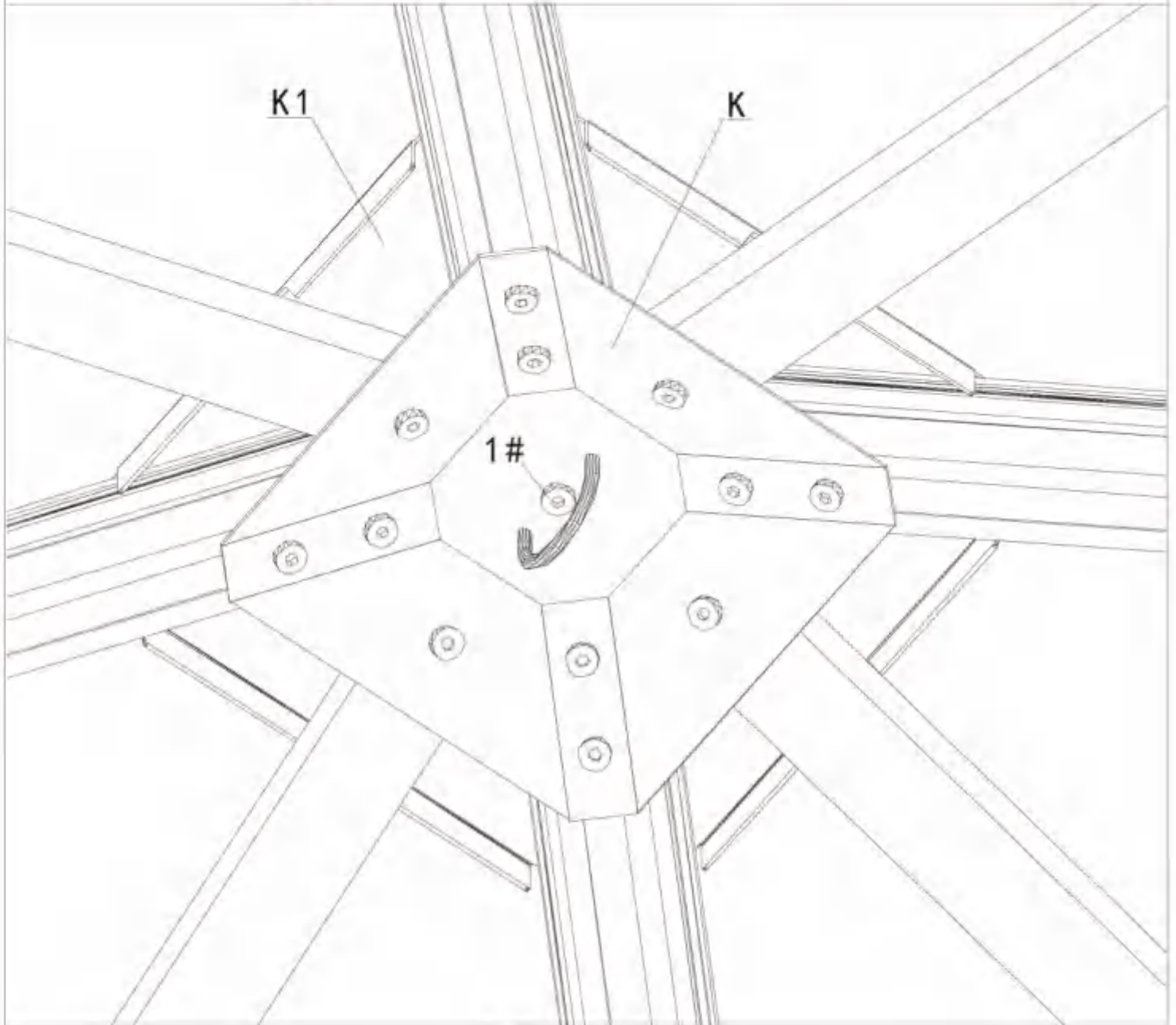




K1 x1

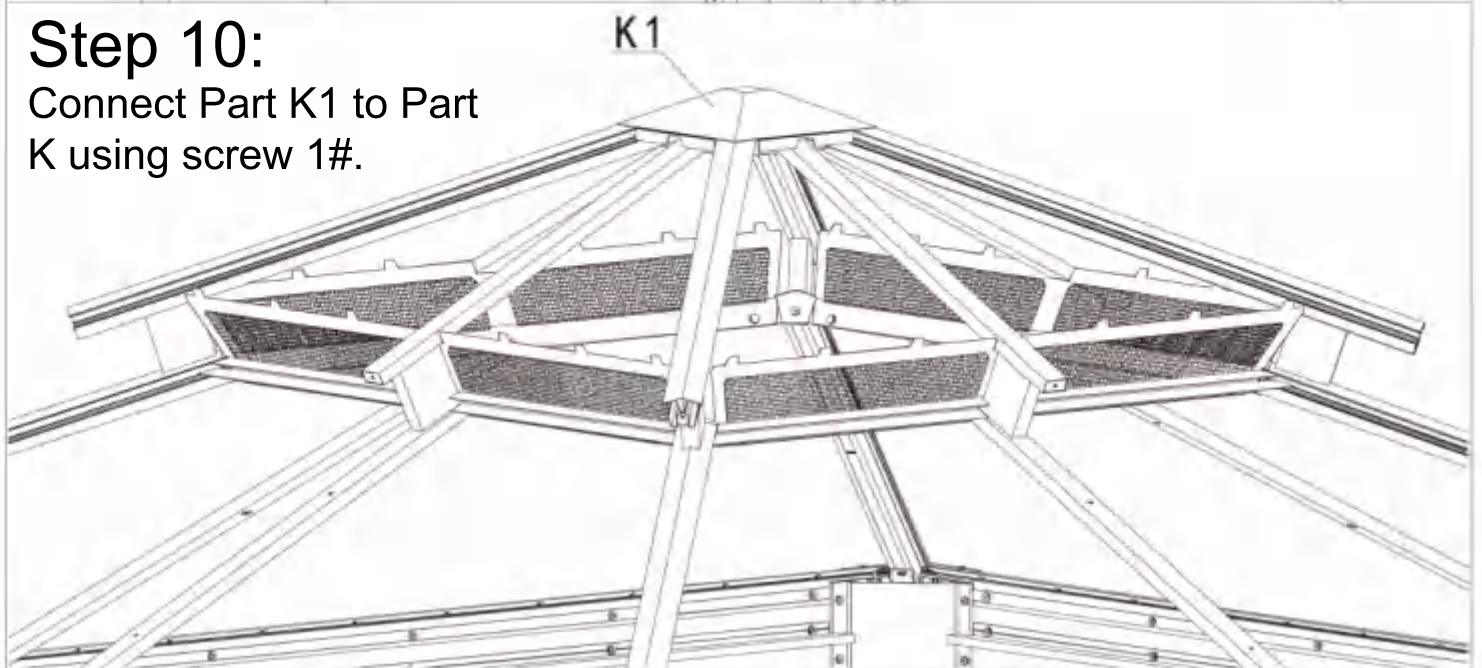


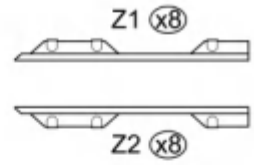
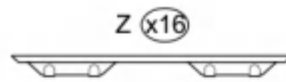
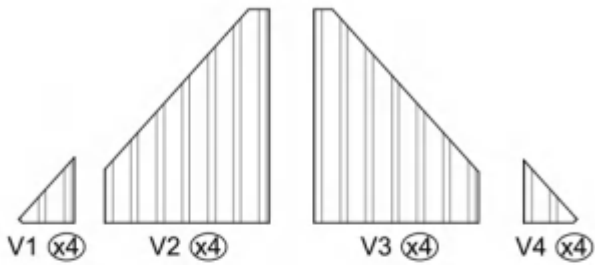
1#  
x1



## Step 10:

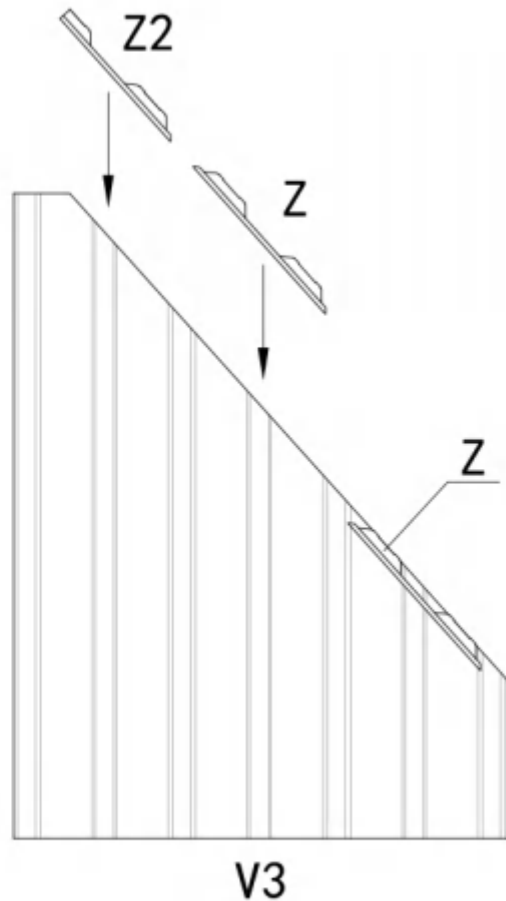
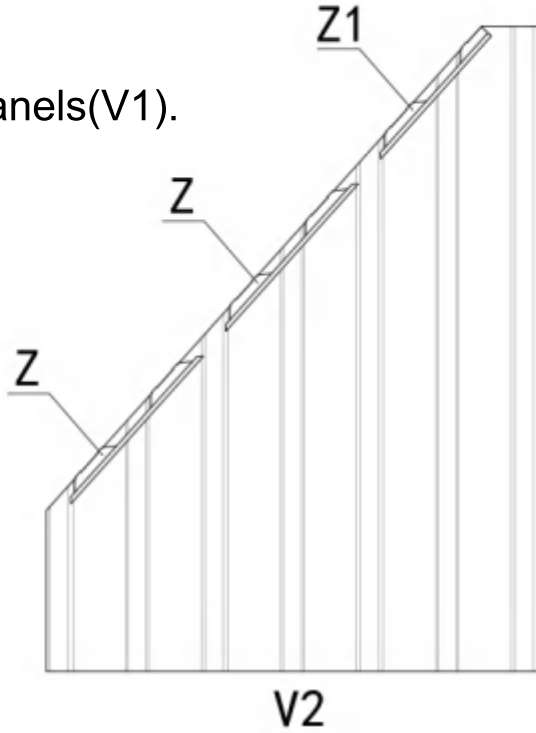
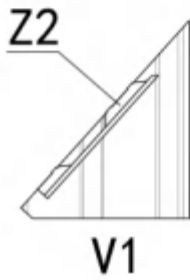
Connect Part K1 to Part K using screw 1#.

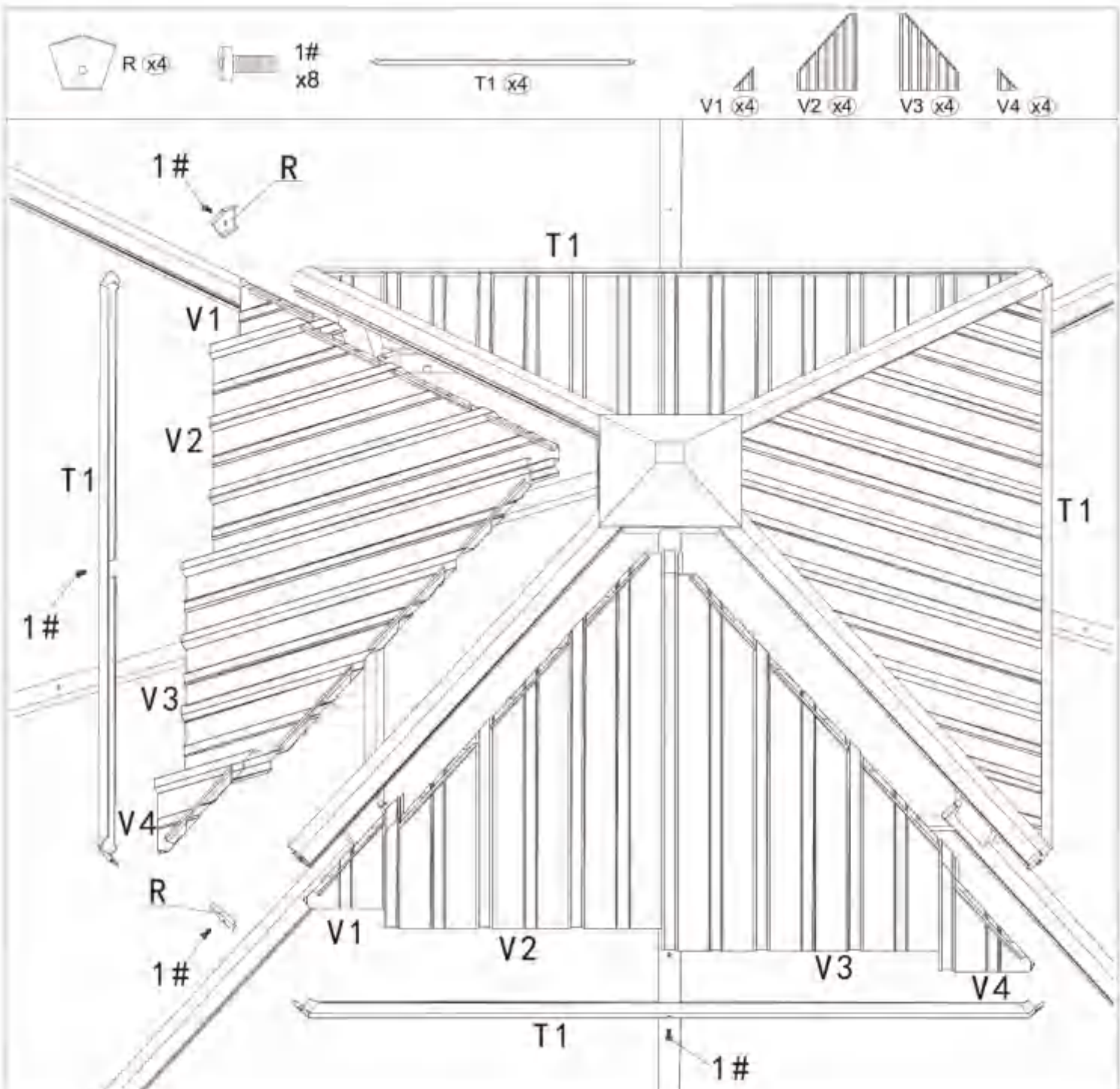




## Step 11:

Cover Part Z2 to Roof Panels(V1).  
 Cover Part Z,Z1 to V2.  
 Cover Part Z2,Z to V3.  
 Cover Z1 to V4.

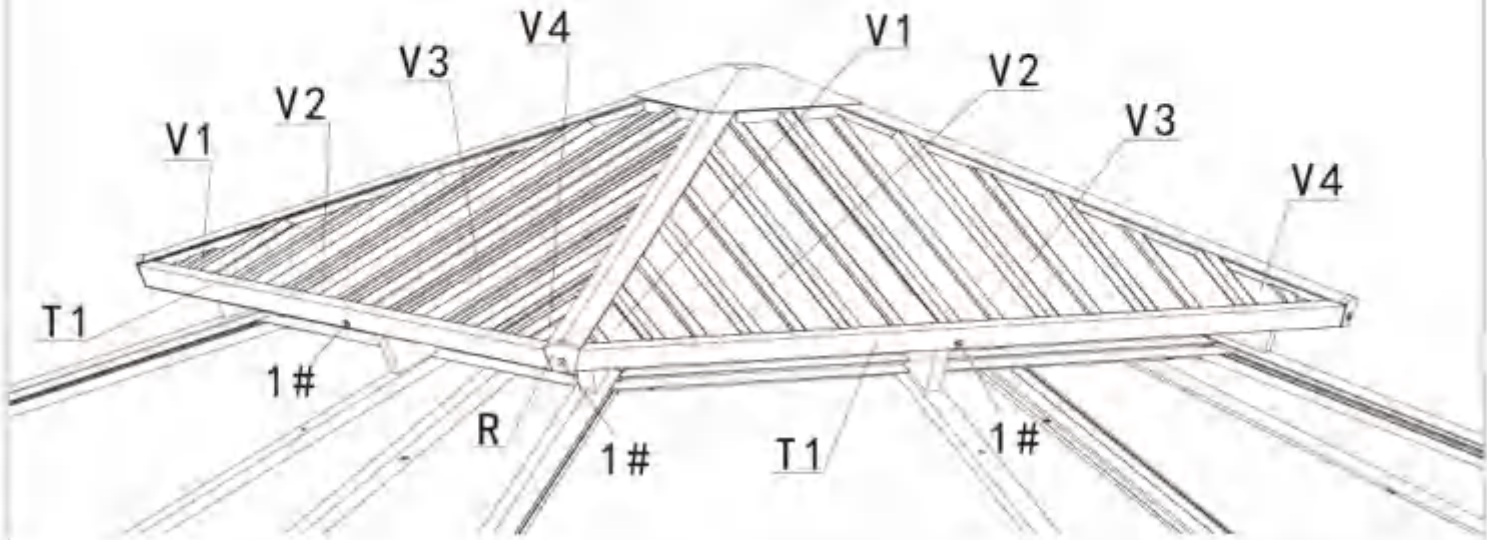


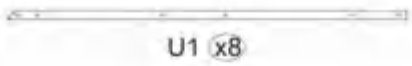


**Step 12:**

Push Part V1,V2,V3,V4 to the top Roof.

Connect Part T1 to the Roof with Part R using Screws 1#.





U1 x8



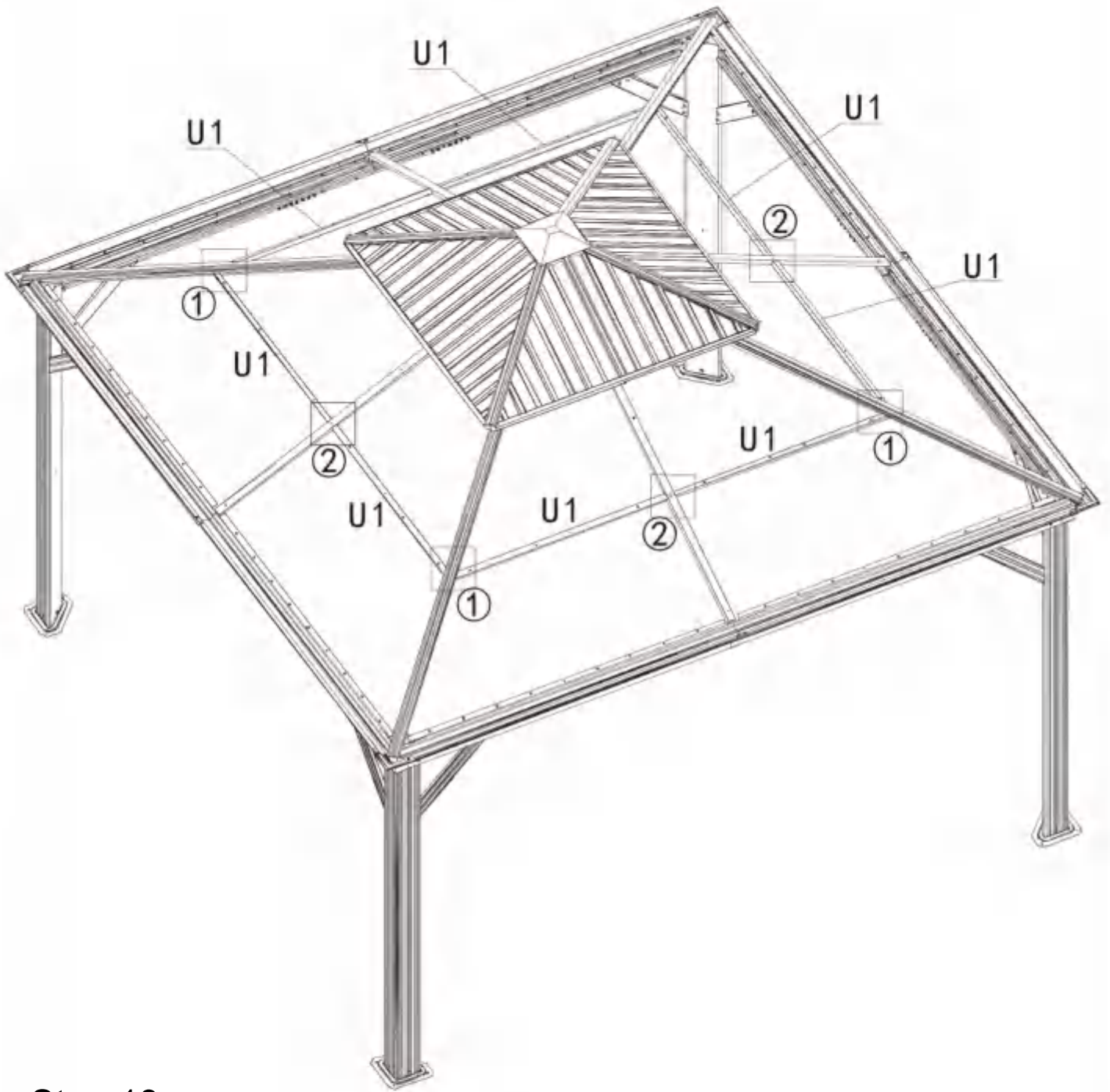
U3 x4



U4 x4

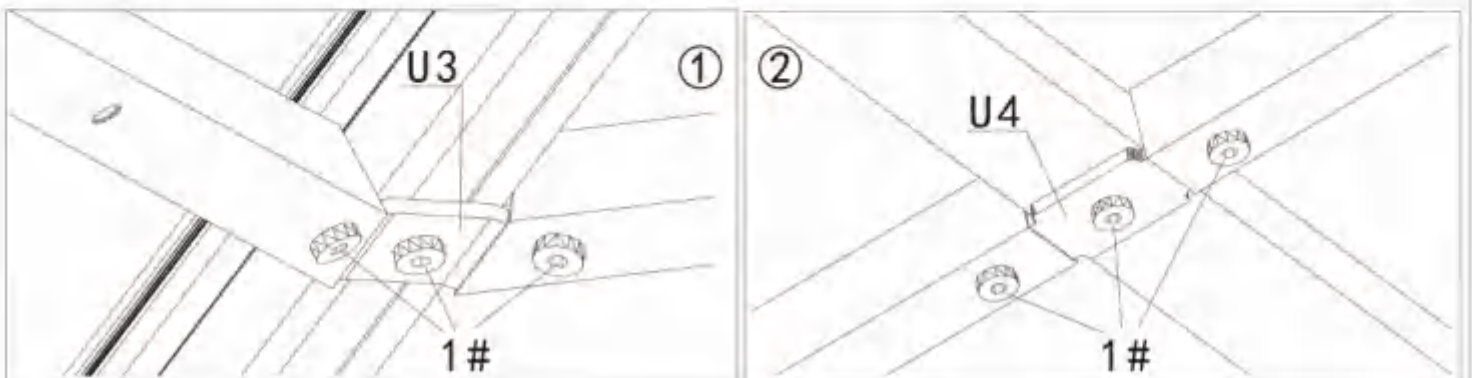


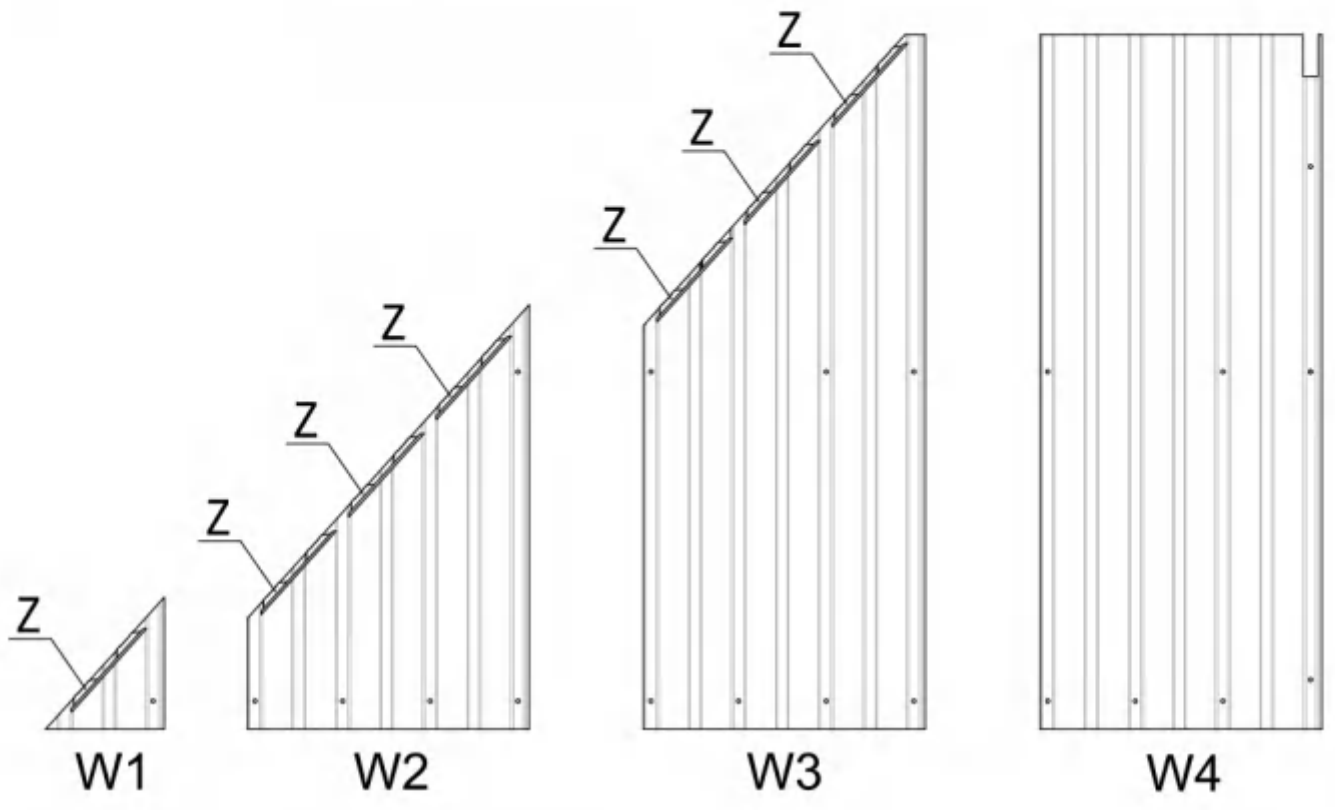
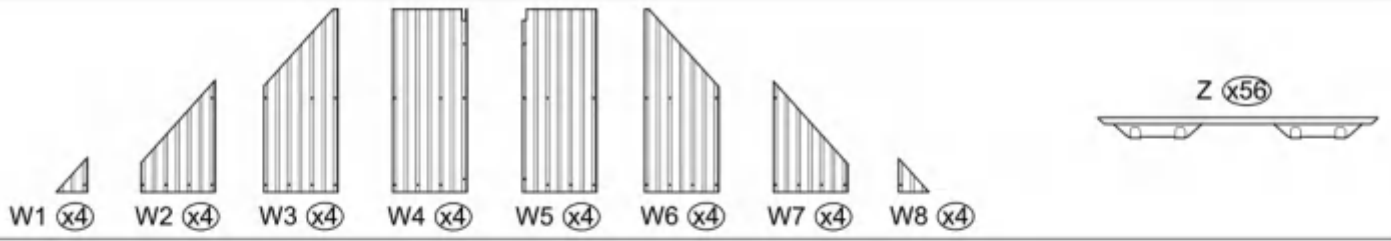
1#  
x24



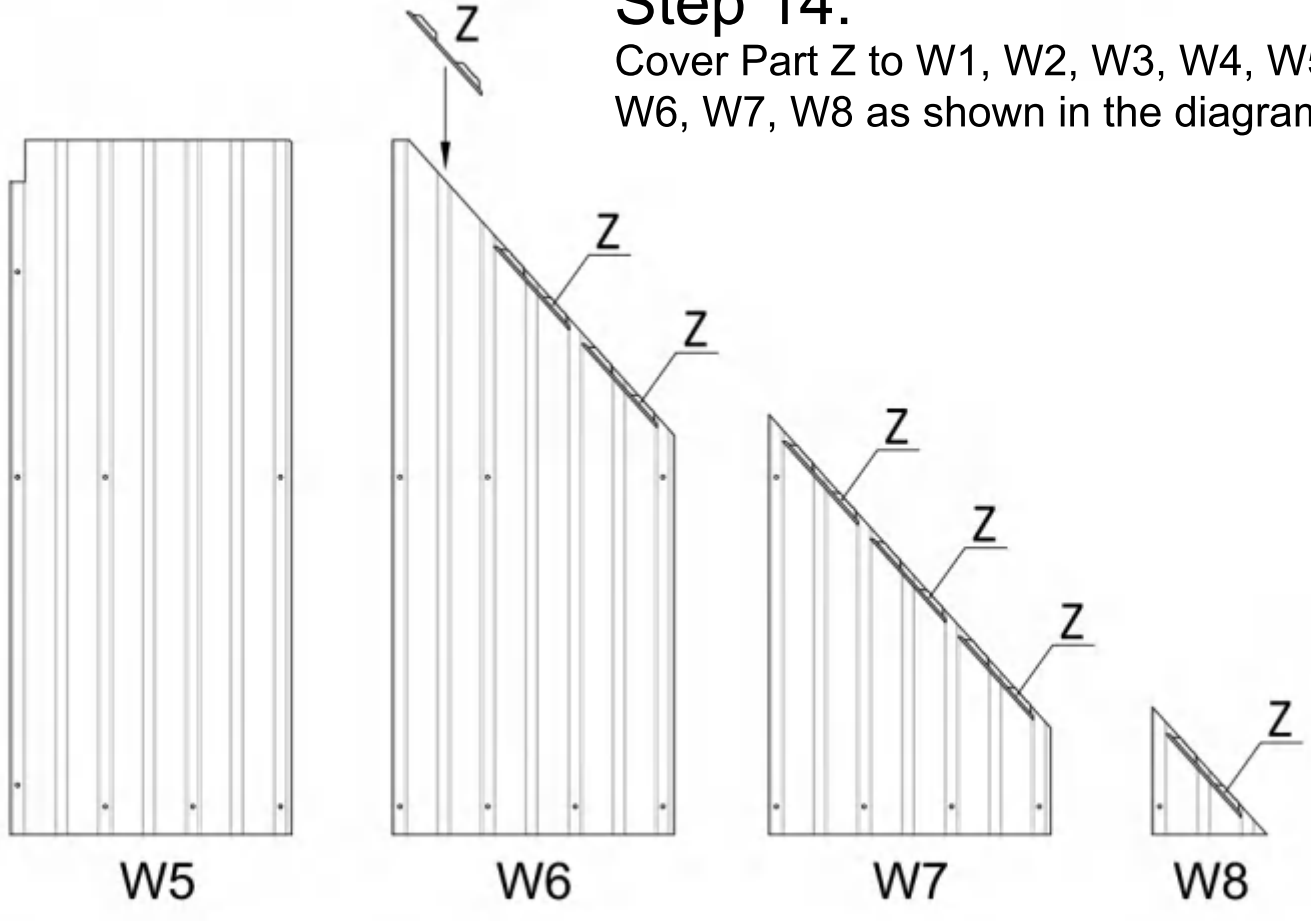
### Step 13:

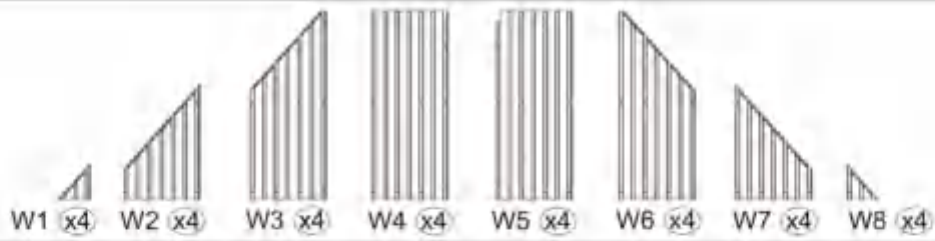
As shown, Affix Part U3 to ① with Screws 1#. Affix Part U4 to ② with Screws 1#.





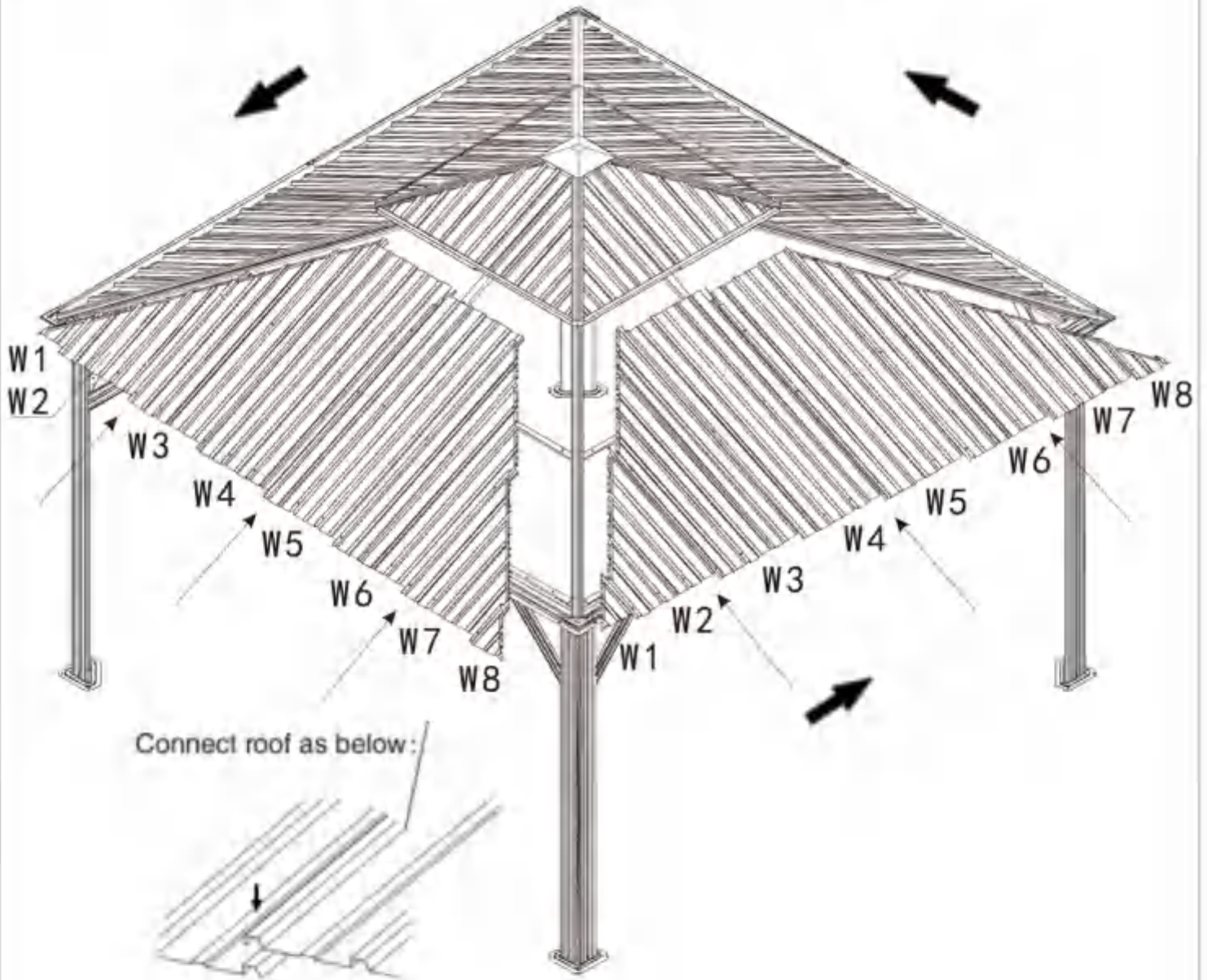
**Step 14:**  
 Cover Part Z to W1, W2, W3, W4, W5, W6, W7, W8 as shown in the diagram.

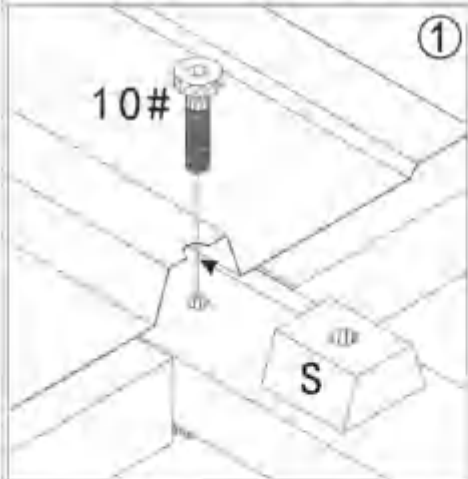




Overall roof assembly:

Please put the panels on the frame anti-clockwisely





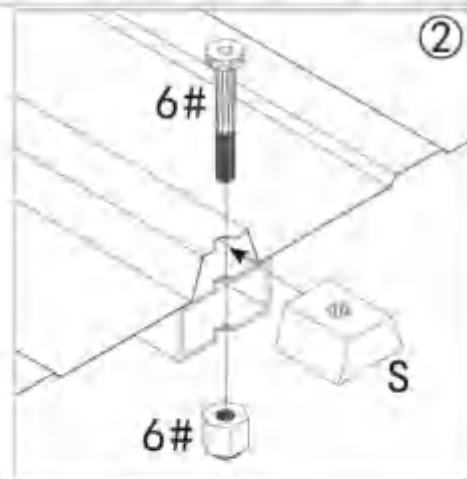
①

### Step 15:

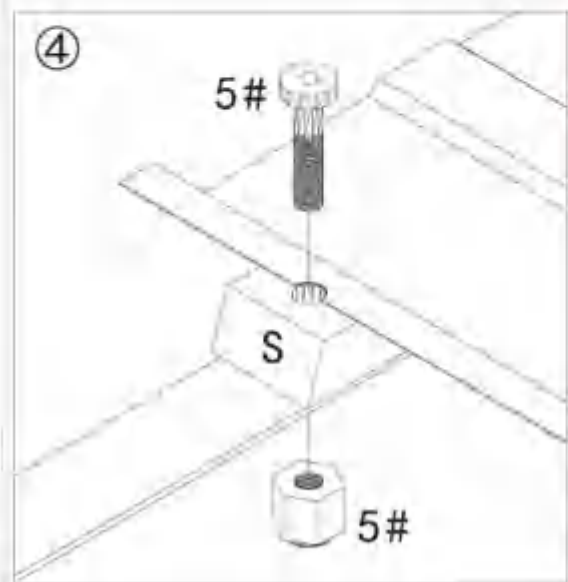
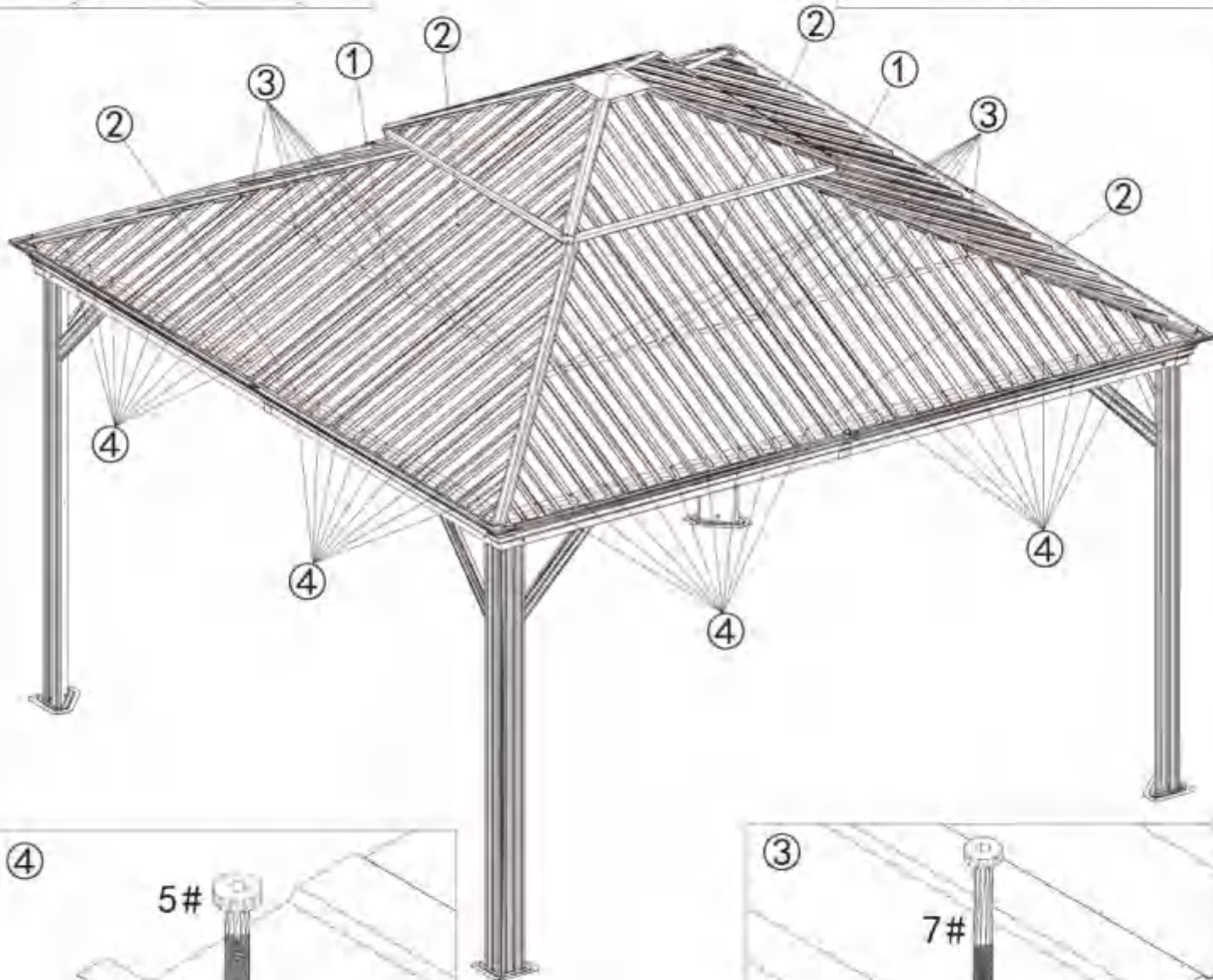
Affix the roof panels with screws and Part S.

Note:

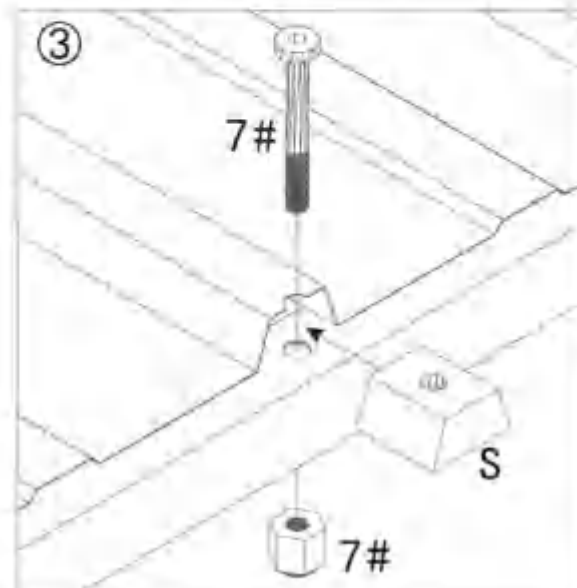
Before installing the second roof panel, put on one roof panel and fasten it.



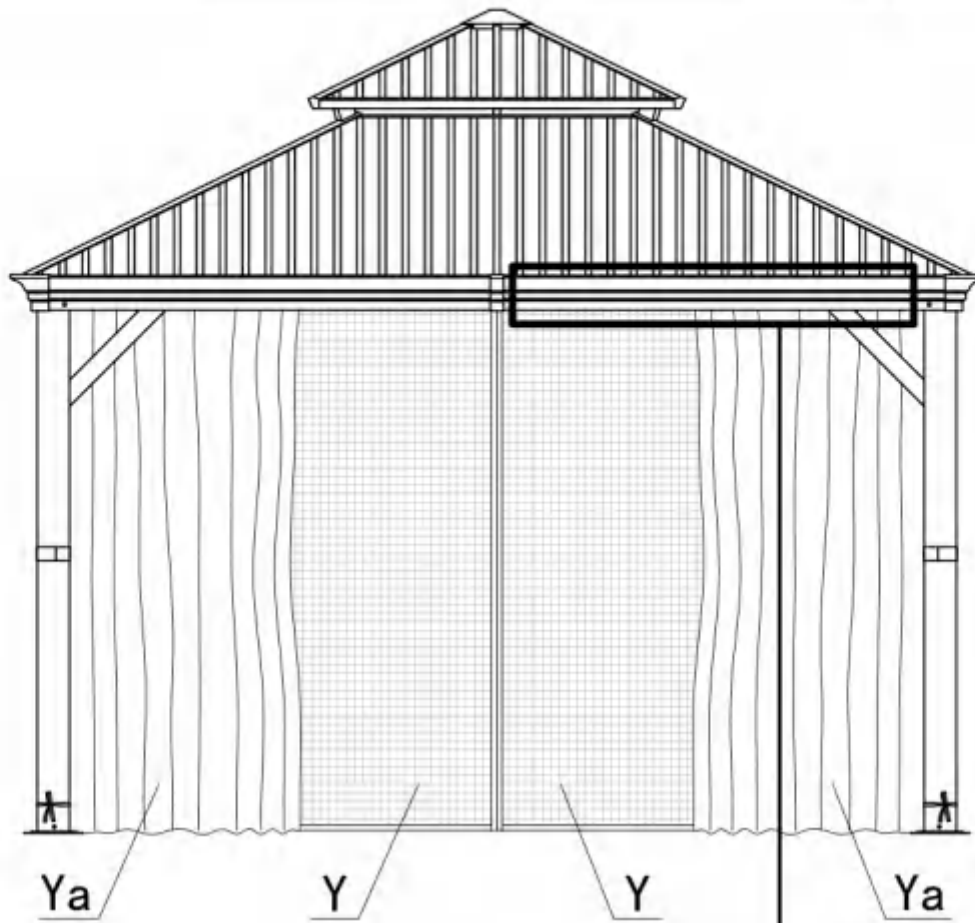
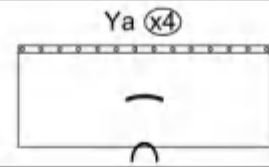
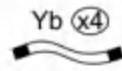
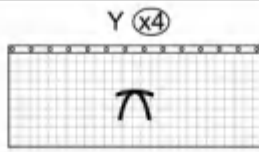
②



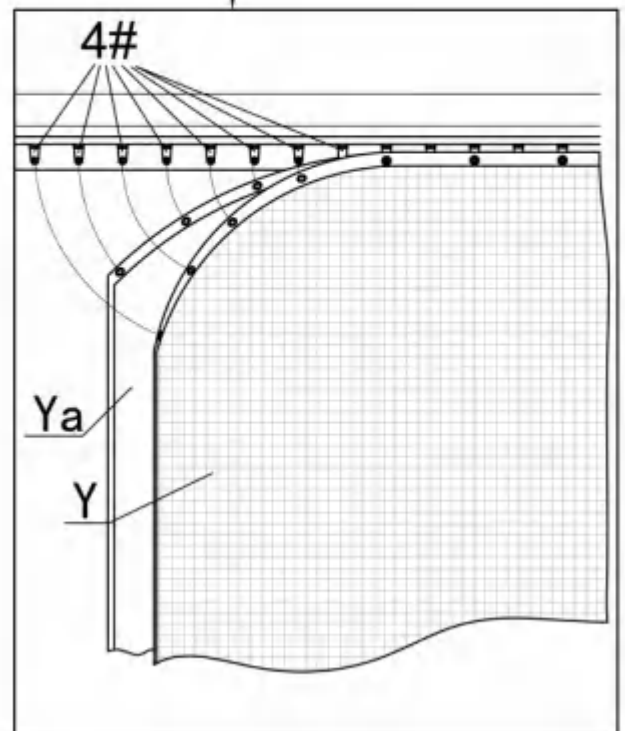
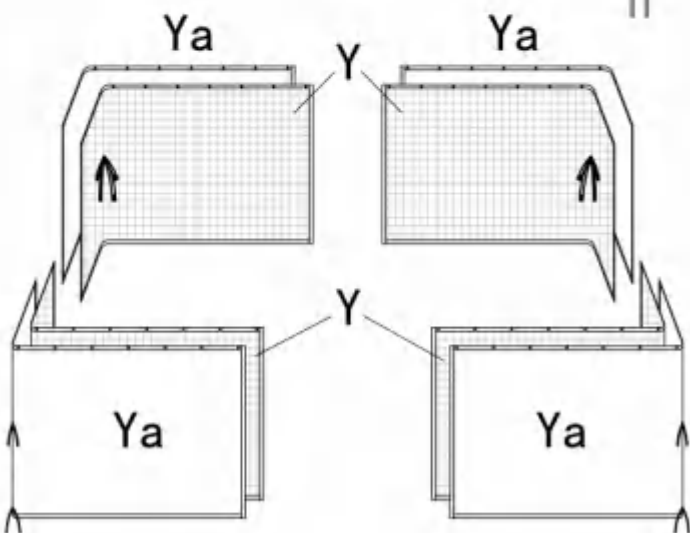
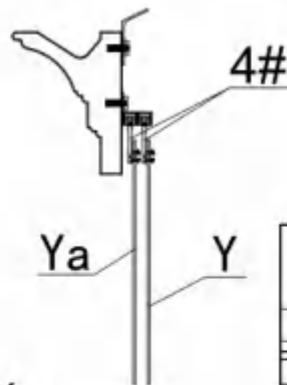
④

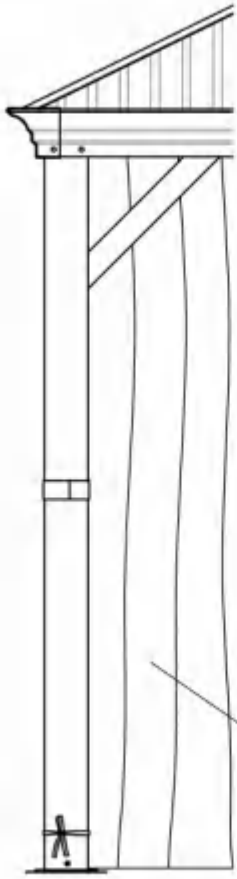


③



Step 16:  
Hang up mosquito net  
and solid sidewalls.



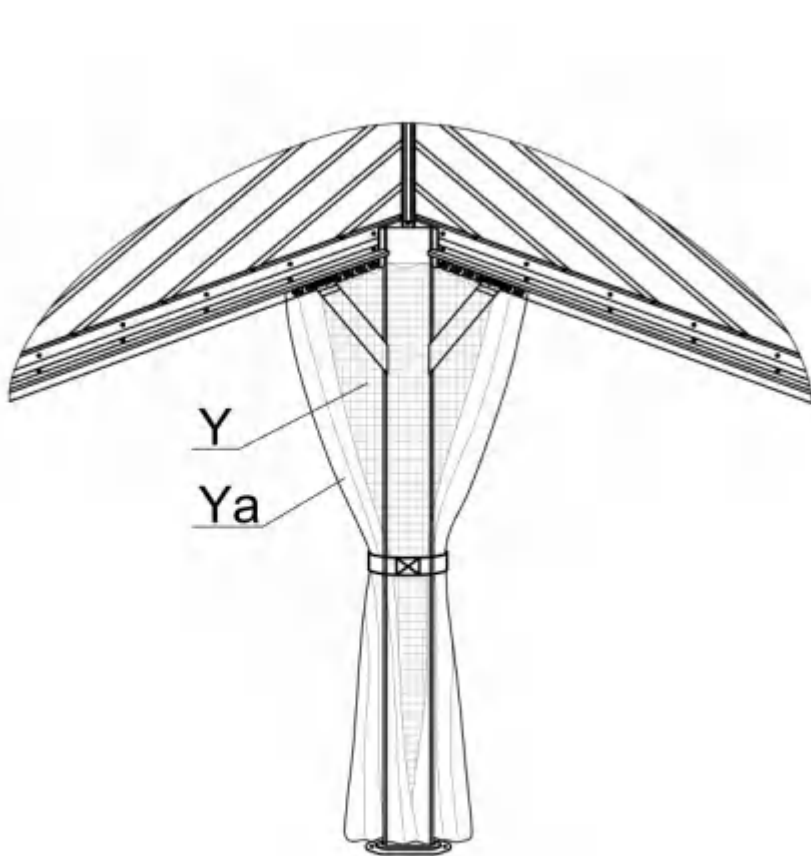


Ya



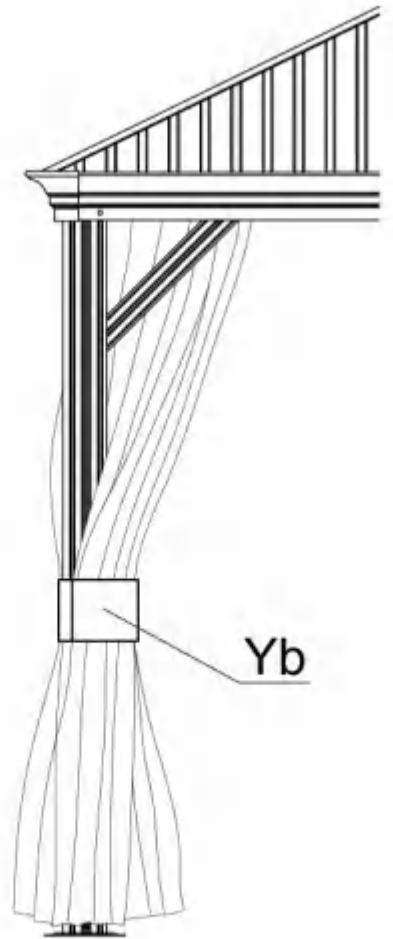
Y

Ya



Y

Ya



Yb





RESORT COMFORT IN YONR  
OWN BACKYARD

## **Thanks for your purchase.**

At domi outdoor living, we believe in our products.

That's why we provide a 12-month warranty and friendly, easy-to-reach after-sales service. So if you have any questions about our product and assembly, please feel free to contact us. We will be here for you.

**Support:**  

email: [domiservice01@outlook.com](mailto:domiservice01@outlook.com)

Please tell us your order ID when contact.

Attach photos of damaged part for instant reply.