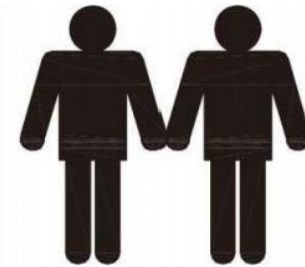
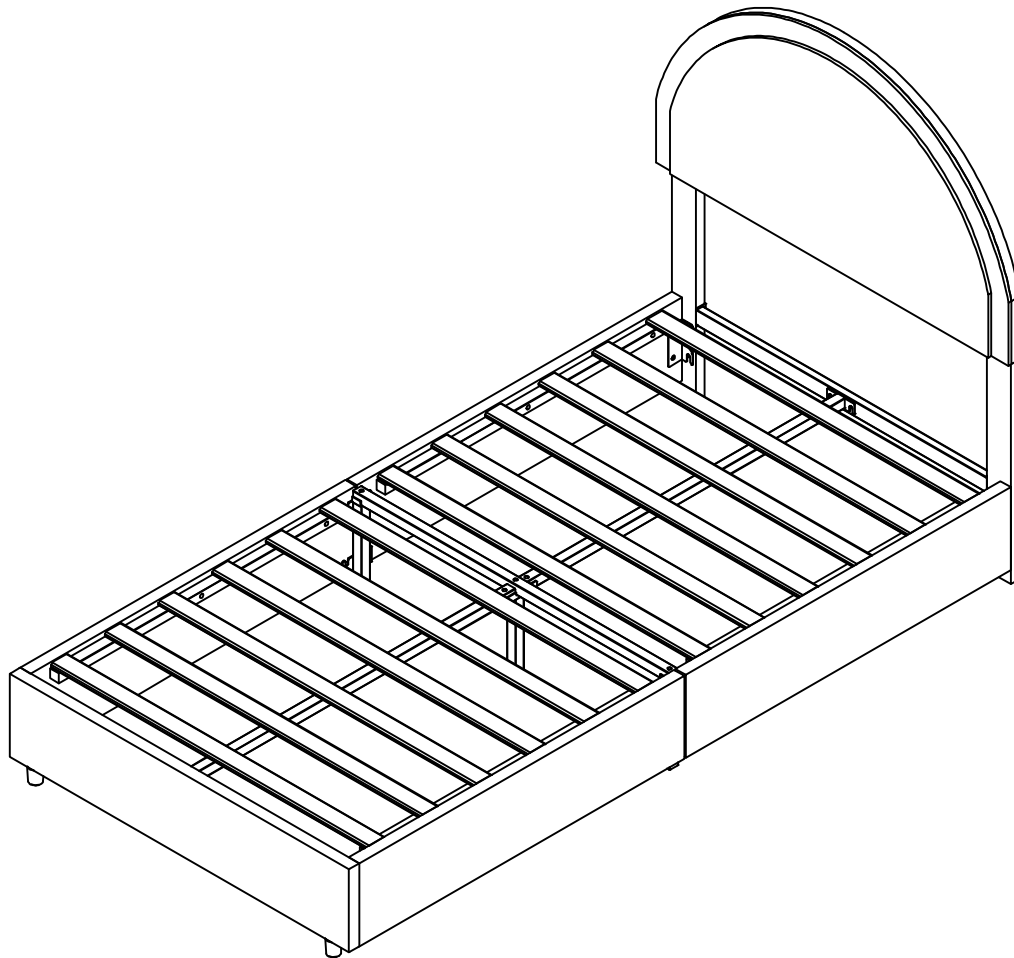


Assembly Instruction

Note:

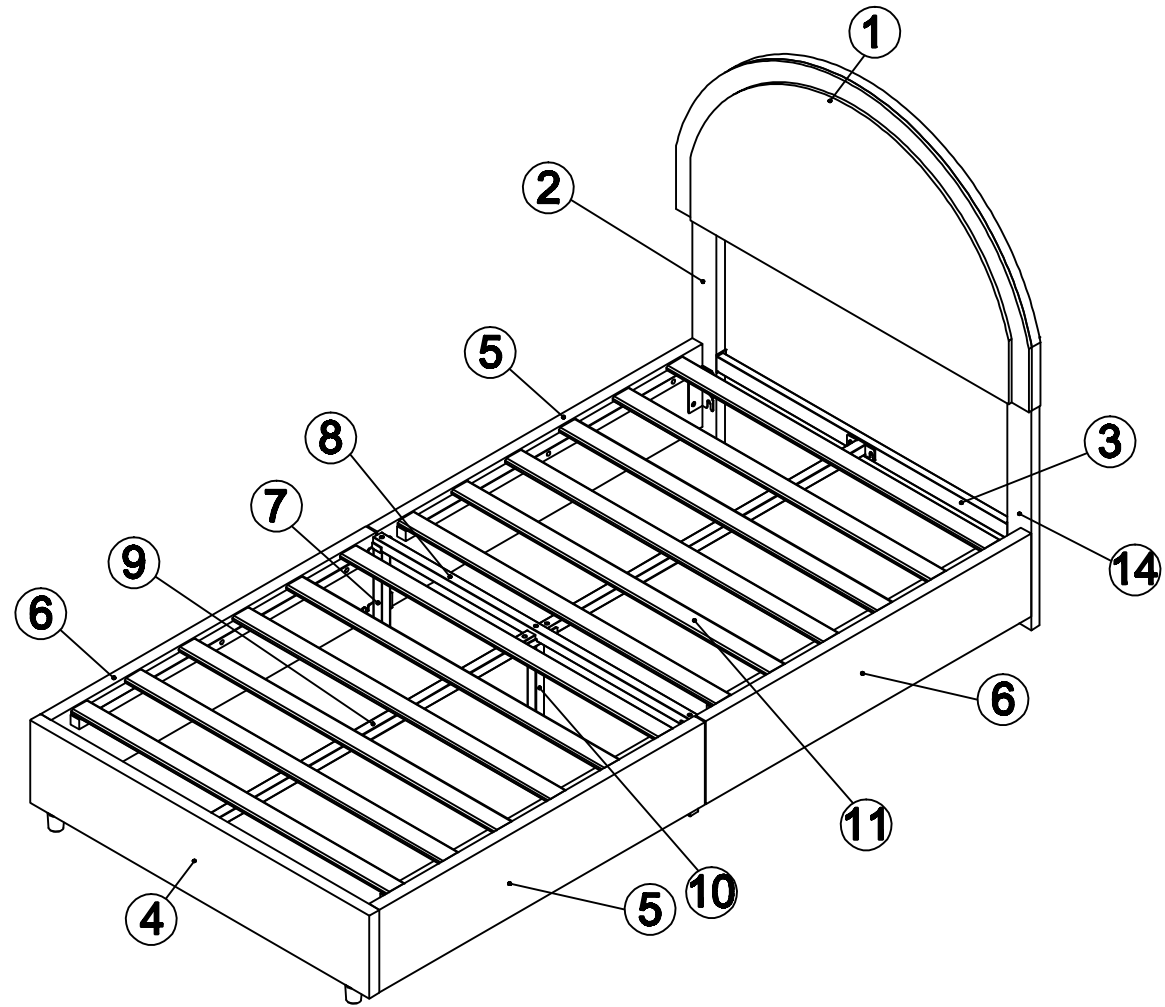
- 1. Should be assembled on flat ground to keep balance.**
- 2. Before completing the installation, do not tighten the screws.**



It needs at least two people to install.




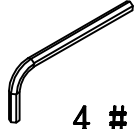


Before starting the assembly, you must read the whole manual and follow the instructions.

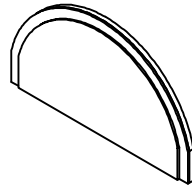

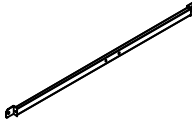
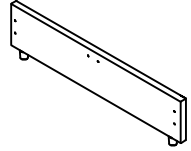
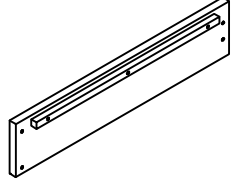
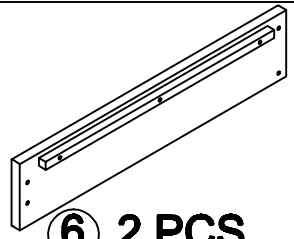

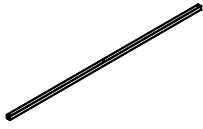
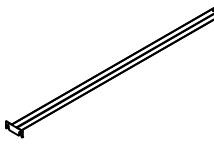
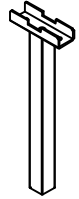
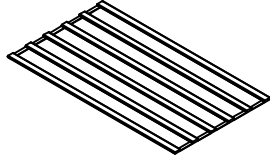





Assembly Instruction



Hardware arts

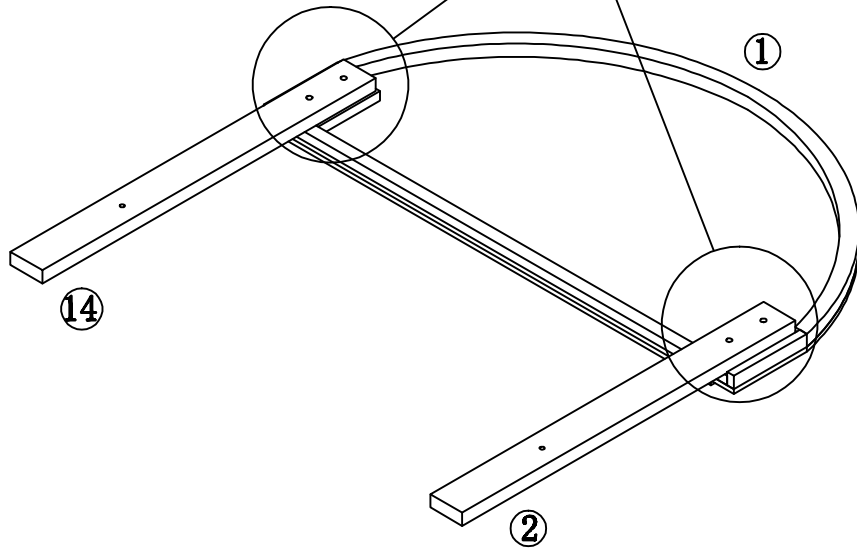
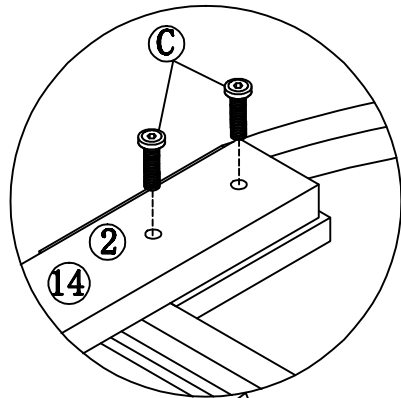
 <p>Ⓐ M8x20 30pcs</p>	 <p>Ⓑ M8x35 4pcs</p>	 <p>Ⓒ M8x45 5pcs</p>	 <p>Ⓓ 4 # 1pc</p>		
------------------------------------------------------------------------------------------------------------	-----------------------------------------------------------------------------------------------------------	------------------------------------------------------------------------------------------------------------	----------------------------------------------------------------------------------------------------------	--	--

Part list

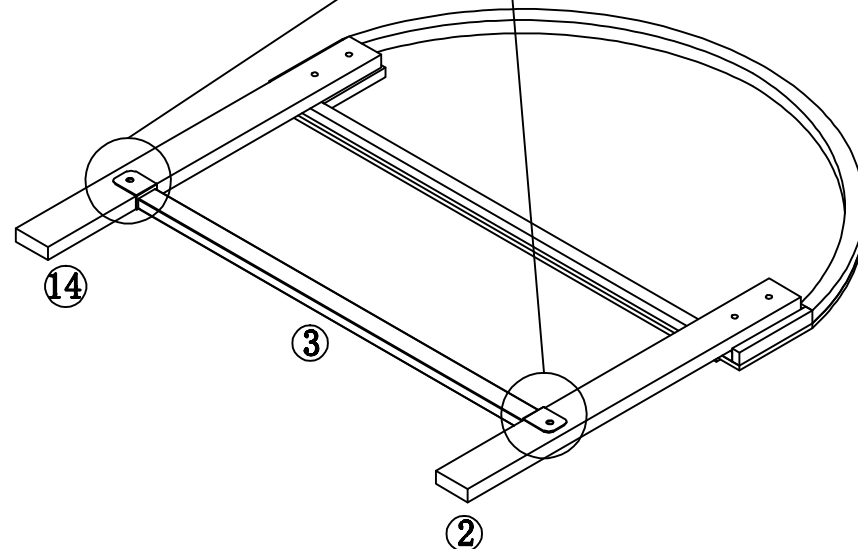
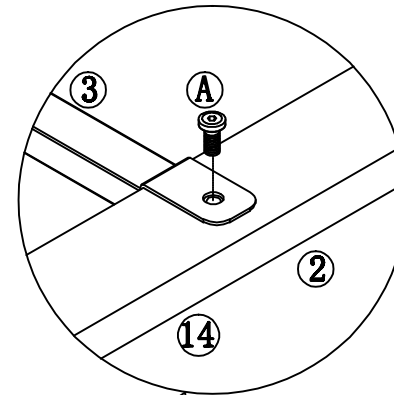
 <p>Ⓛ 1 PC</p>	 <p>Ⓜ 1 PC</p>	 <p>Ⓨ 1 PC</p>	 <p>Ⓩ 1 PC</p>	 <p>ⓐ 2 PCS</p>	 <p>ⓑ 2 PCS</p>
 <p>ⓓ 2 PCS</p>	 <p>ⓔ 1 PC</p>	 <p>ⓕ 2 PCS</p>	 <p>ⓖ 1 PC</p>	 <p>ⓗ 2 PCS</p>	 <p>ⓘ 2 PCS</p>
 <p>ⓙ 2 PCS</p>	 <p>ⓚ 1 PC</p>				<p>Page 3/8</p>

Assembly Instruction



C	 M8x45	4pcs
D		1pc

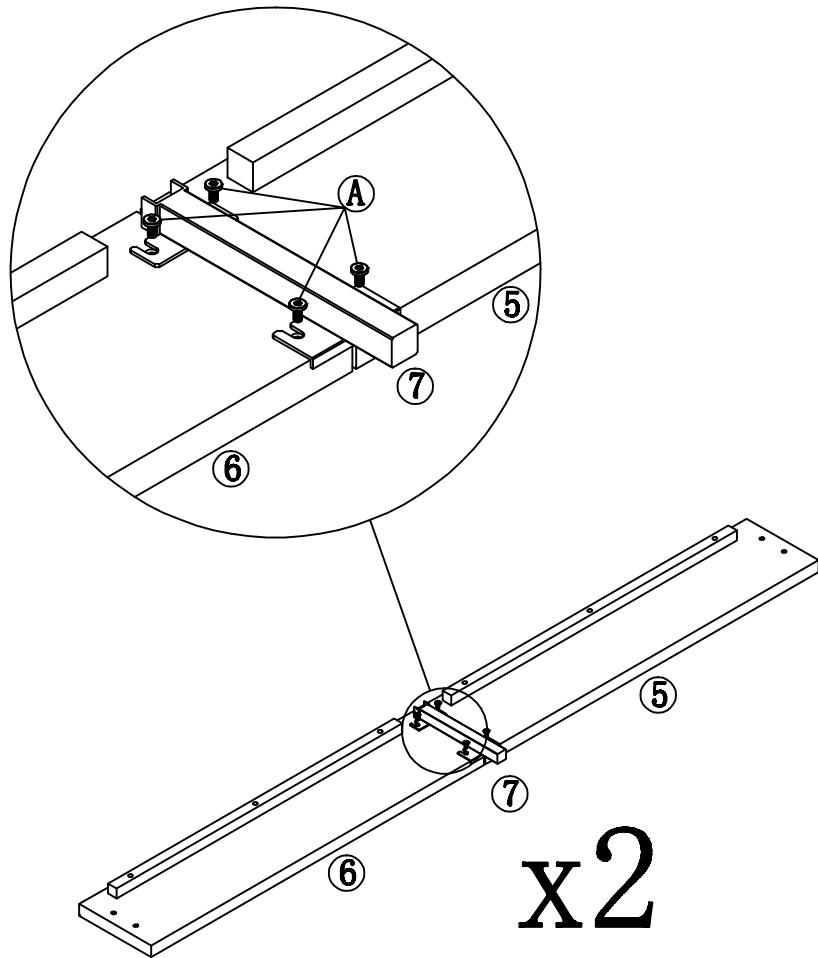


A	 M8x20	2pcs
D		1pc

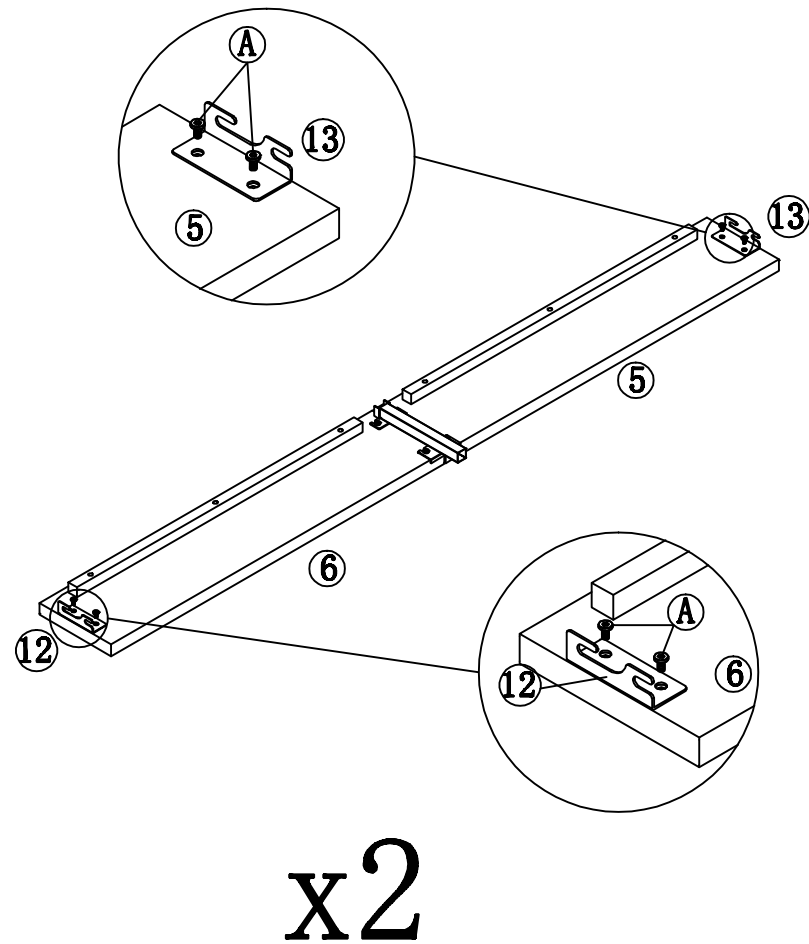


Assembly Instruction



A		M8x20	8pcs
D			1pc

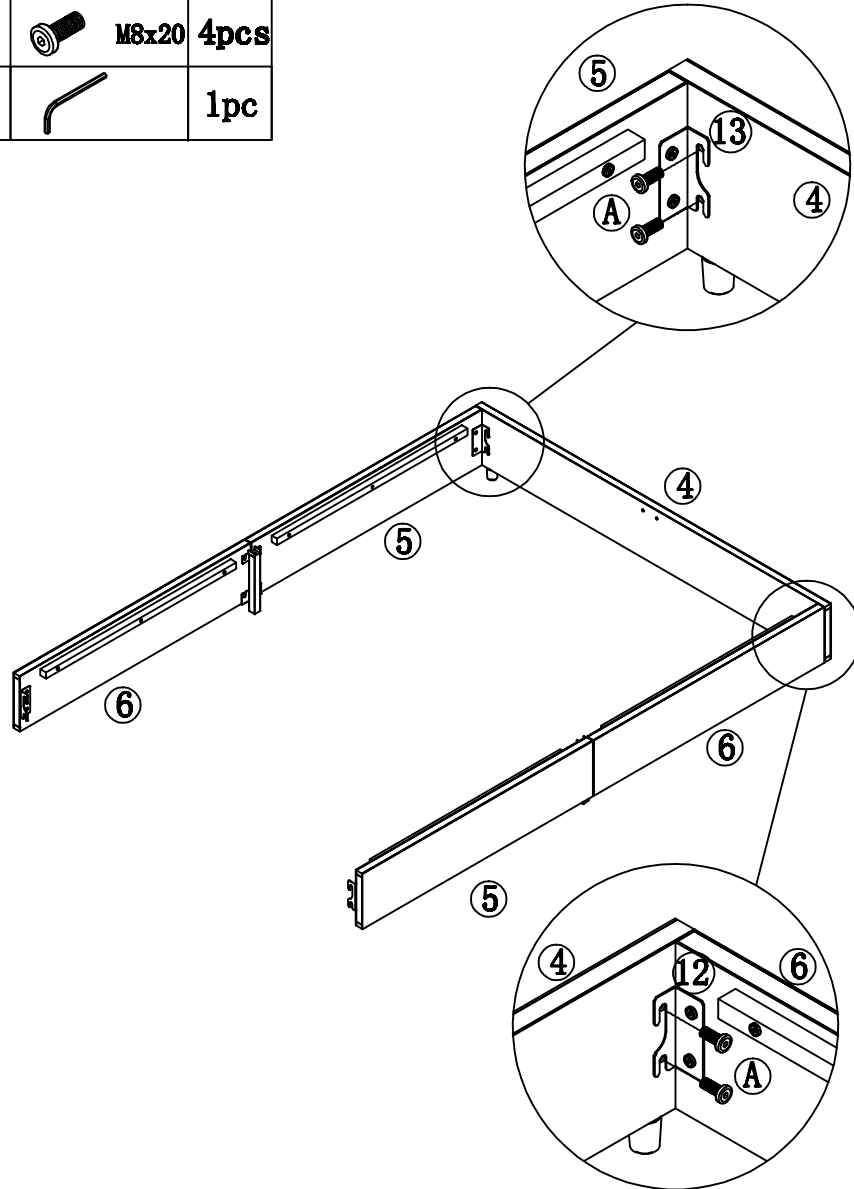




A		M8x20	8pcs
D			1pc

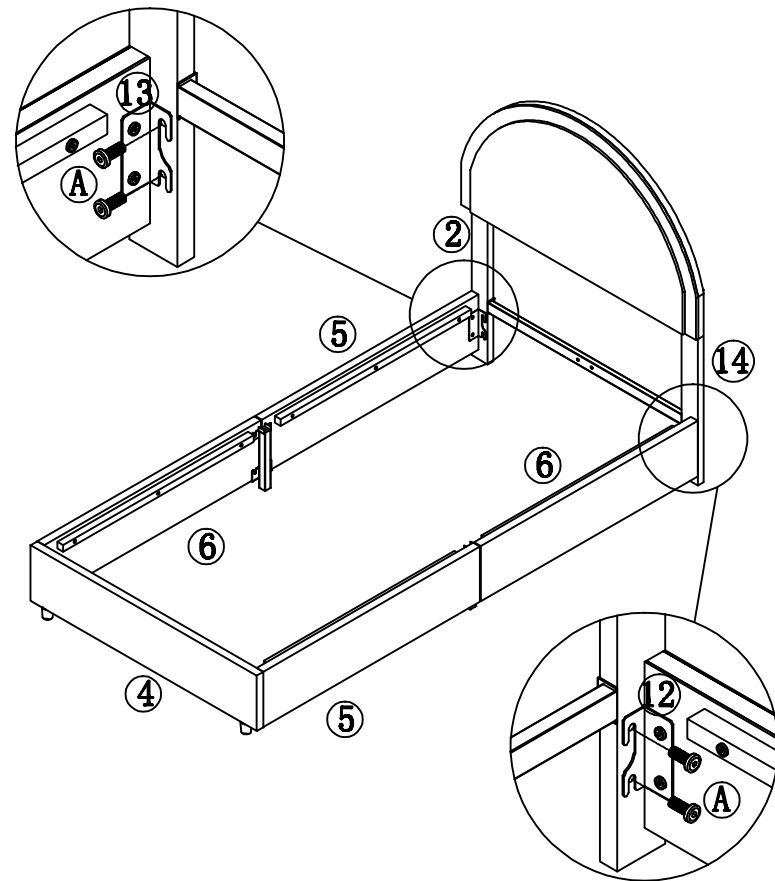


Assembly Instruction




A		M8x20	4pcs
D			1pc

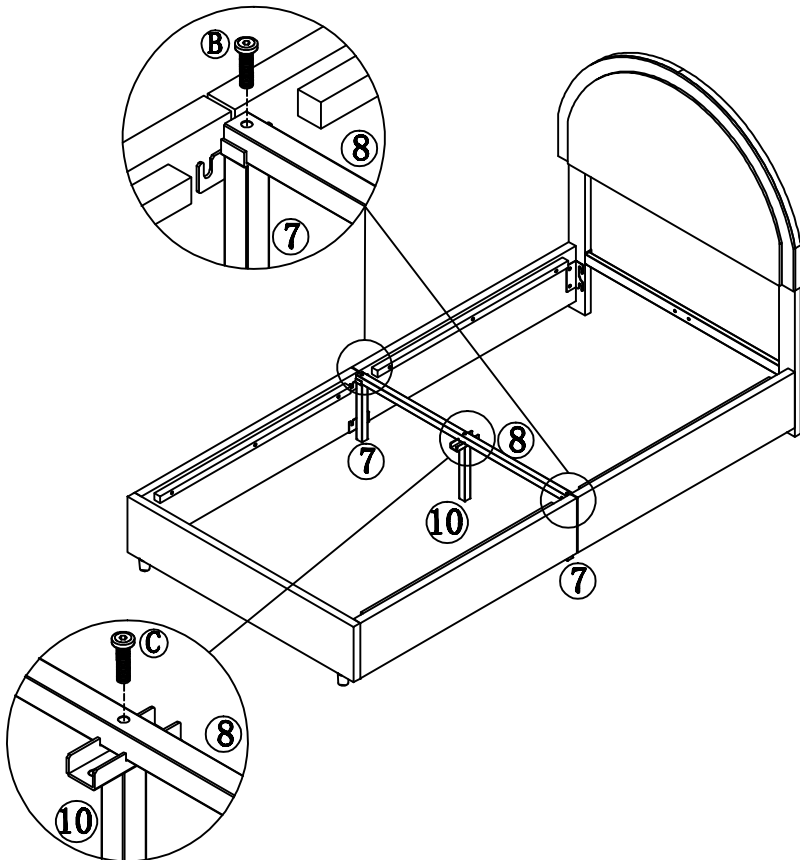





A		M8x20	4pcs
D			1pc

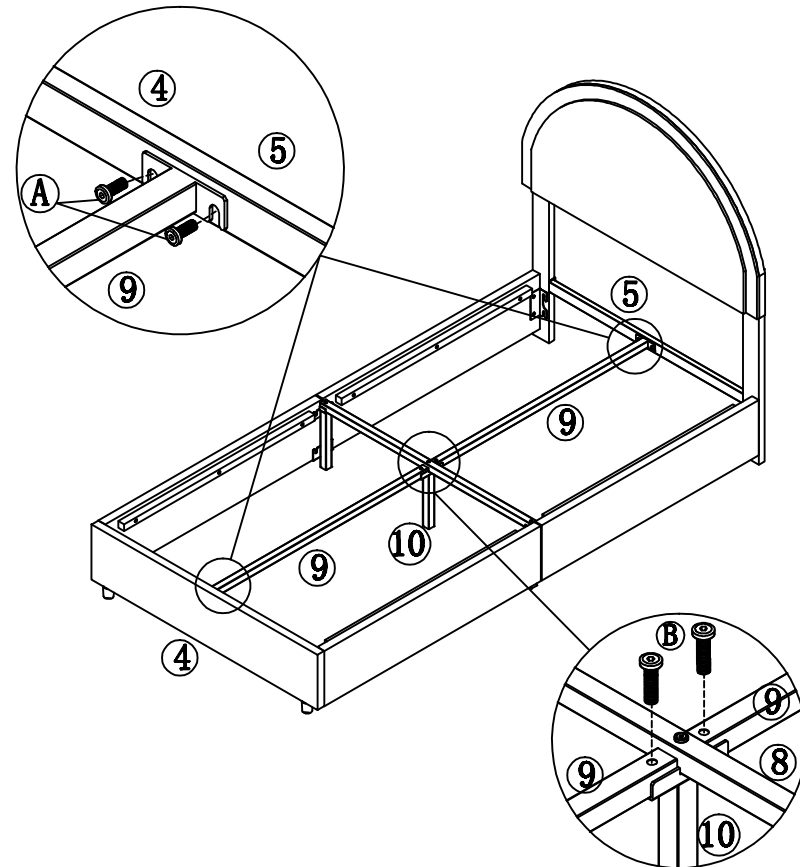


Assembly Instruction

B	 M8x35	2pcs
C	 M8x45	1pc
D		1pc



A	 M8x20	4pcs
B	 M8x35	2pcs
D		1pc



Assembly Instruction

