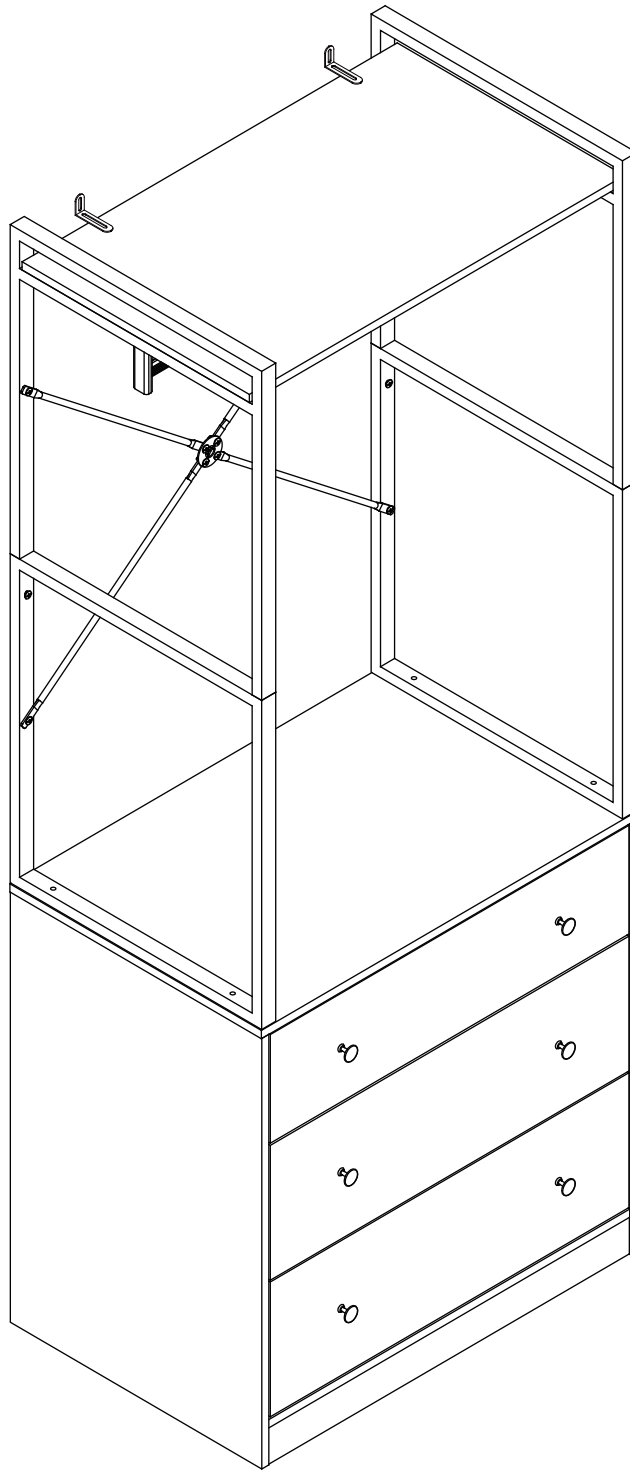


# Owner Manual

## STORAGE CABINET



# INTRODUCTION

Thank you for choosing the Storage Cabinet. Please read this user manual carefully and keep it for future reference. If you need any assistance, please contact us by email with your order number and details.


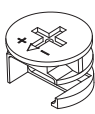
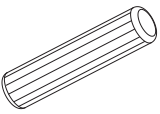
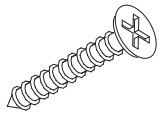
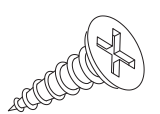
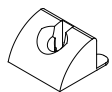

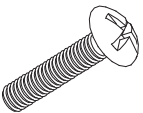
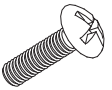
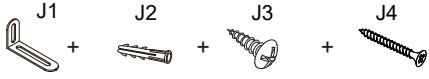



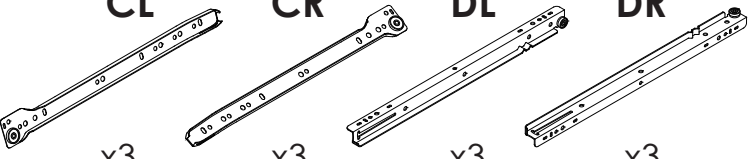
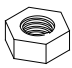
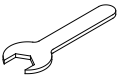
## PACKAGE CONTENTS

- 1 x Storage Cabinet
- 1 x Pack of Accessories
- 1 x User Manual

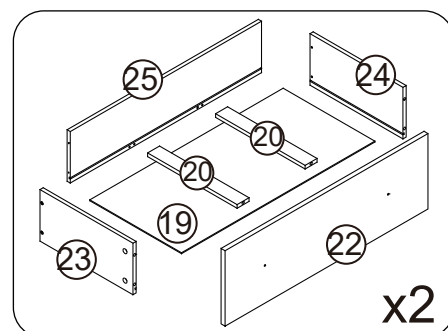
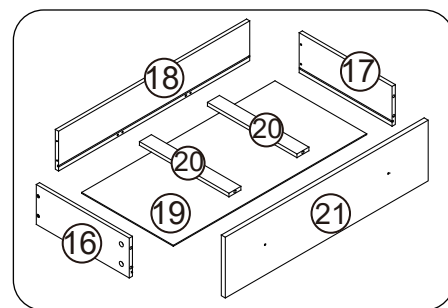
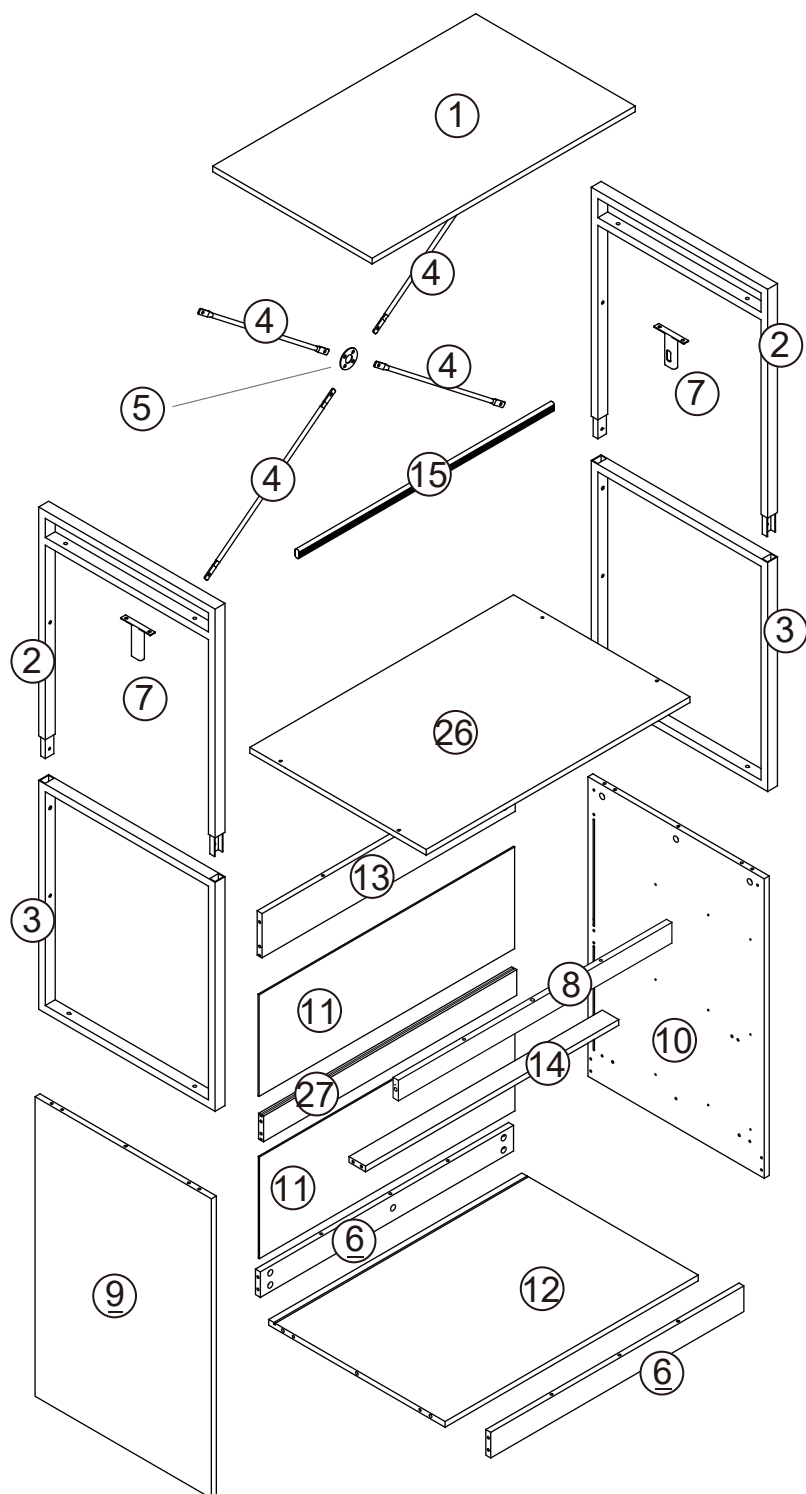
## PRODUCT CARE

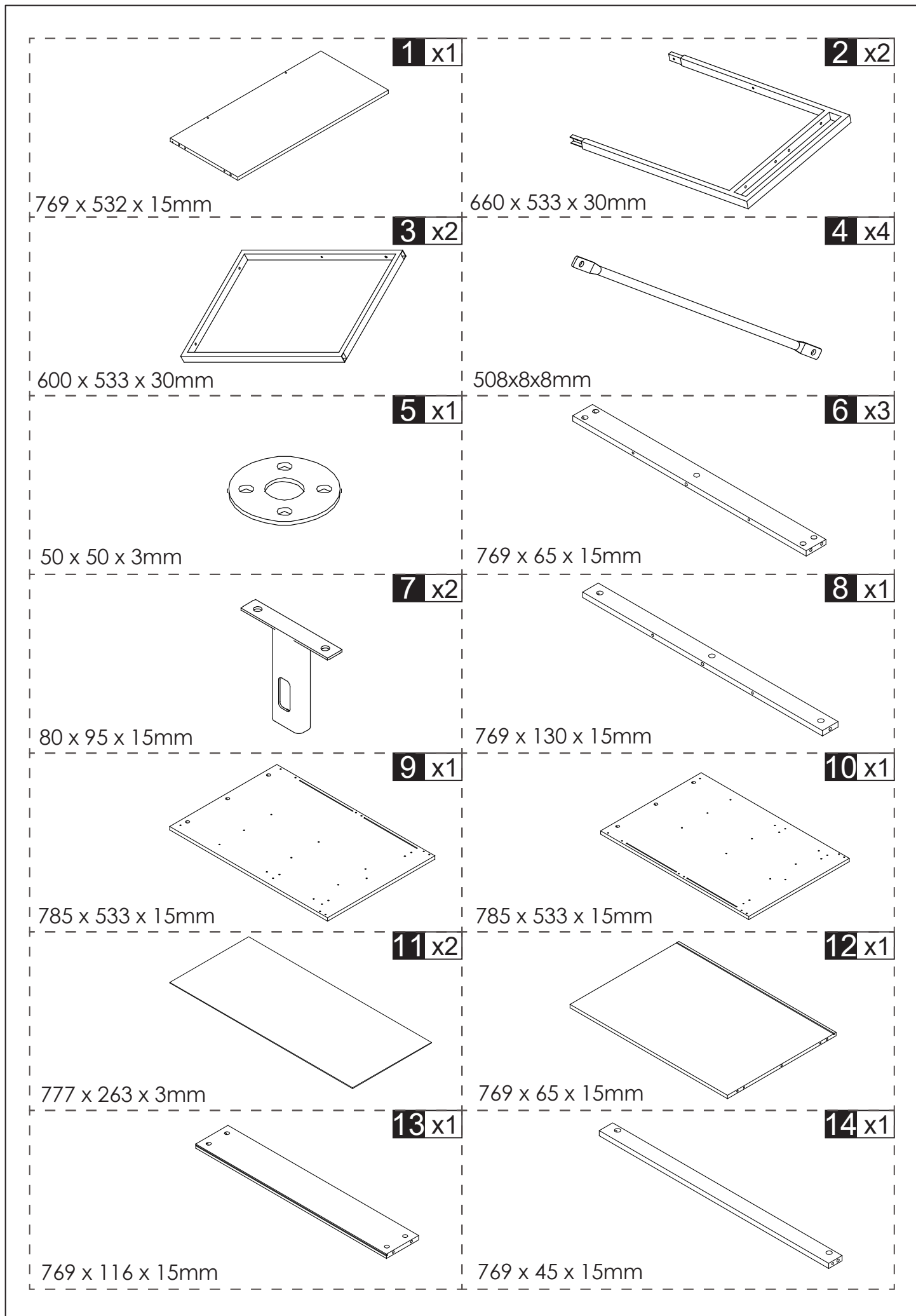
- Please follow the instruction to assemble this item correctly.
- Don't make the screws be too loose or too tight.
- Please put the screws into the holes' position just as shown in the arrows of the image, and then clockwise rotate 90° or 180°
- More product parts, it is recommended that two people install
- The fittings pack contains small accessories that should be kept away from small children.

## HARDWARES LIST

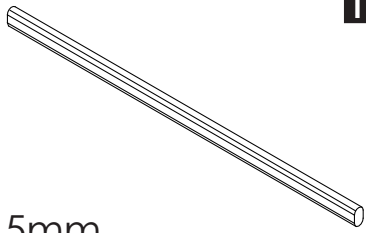
<b>A</b> 5*35mm  x53	<b>B</b> 15*10mm  x53	<b>C</b> 6*30mm  x18	<b>D</b> 4*40mm  x24	<b>E</b> 3*14mm  x36	<b>F</b>  x8
<b>G</b>  x4	<b>H</b> 6*30mm  x8	<b>I</b> 4*18mm  x6	<b>J</b>  x2		<b>K</b> 6*10mm  x16
<b>L</b> 3*16mm  x8	<b>M</b>  x6	<b>N</b> 350mm  x3 x3 x3 x3			
<b>O</b> 6mm  x4	<b>P</b> 70mm  x1				

# Panel Layout



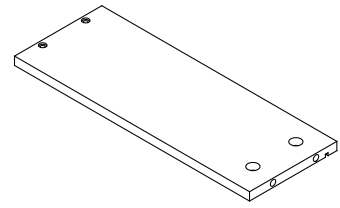


**15 x1**



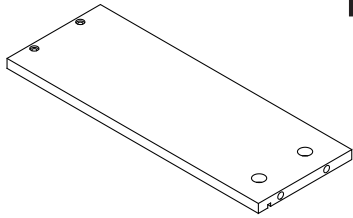
780 x 30 x 15mm

**16 x1**



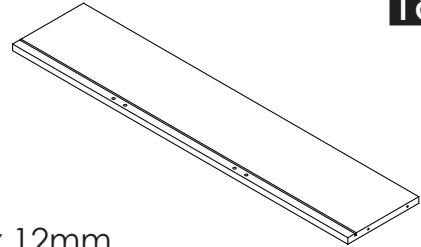
350 x 130 x 12mm

**17 x1**



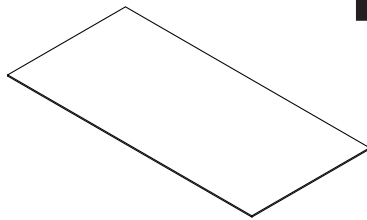
350 x 130 x 12mm

**18 x1**



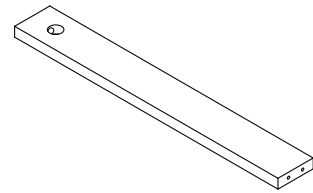
720 x 130 x 12mm

**19 x3**



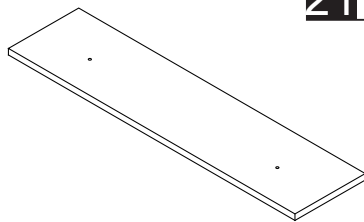
728 x 345 x 3mm

**20 x6**



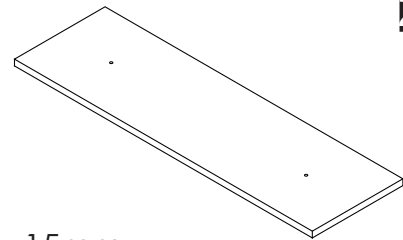
337 x 45 x 12mm

**21 x1**



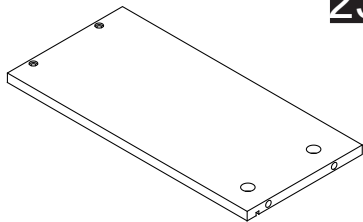
763 x 198 x 15mm

**22 x2**



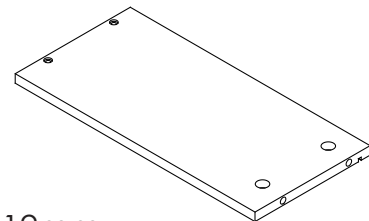
763 x 246 x 15mm

**23 x2**



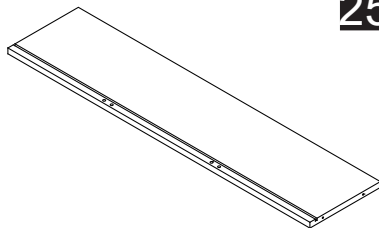
350 x 168 x 12mm

**24 x2**



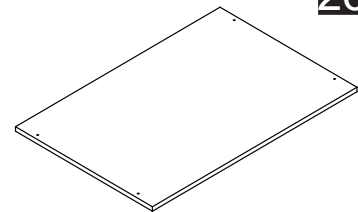
350 x 168 x 12mm

**25 x2**



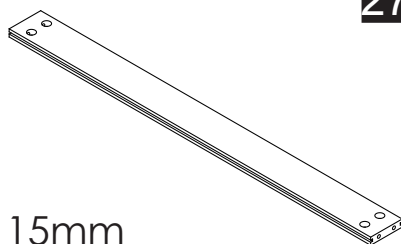
720 x 168 x 12mm

**26 x1**



800 x 535 x 15mm


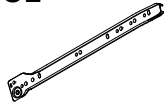
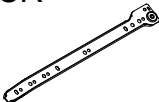
**27 x1**

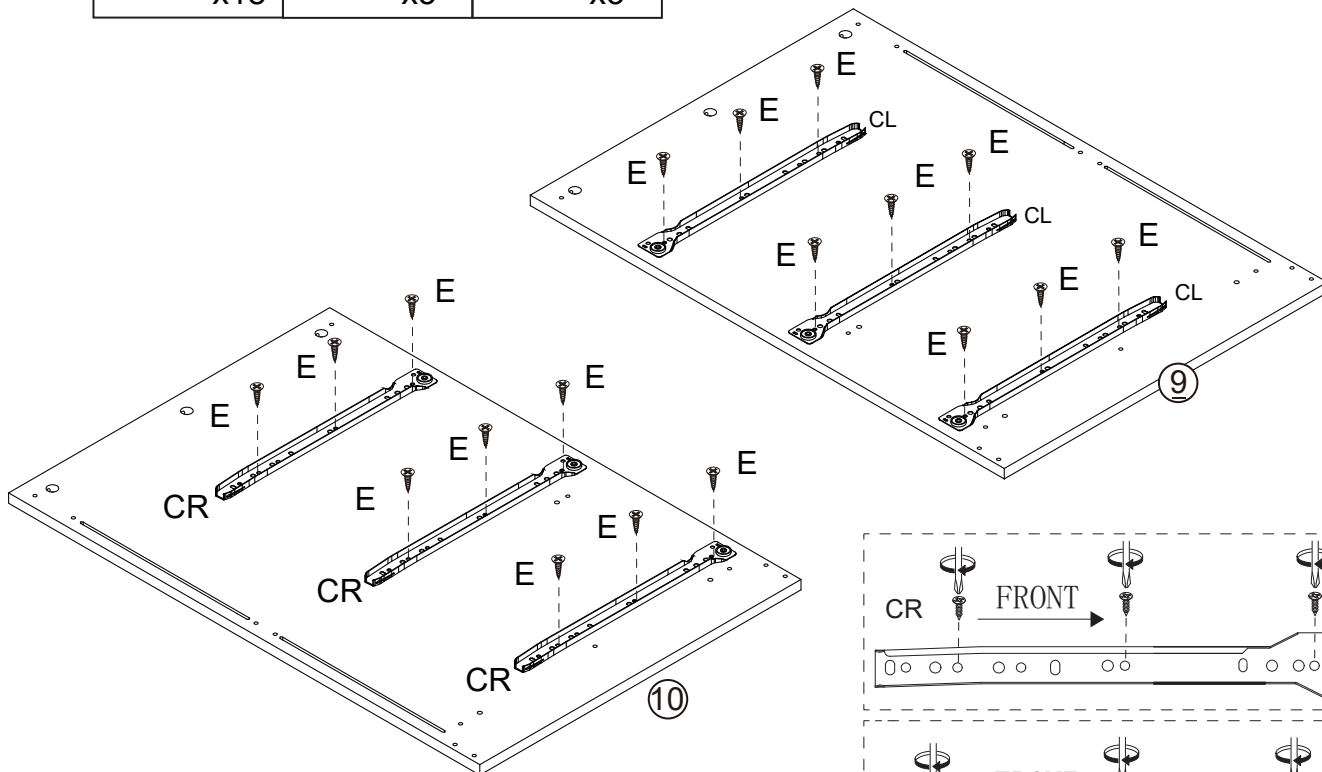


769 x 66 x 15mm

1


You will need

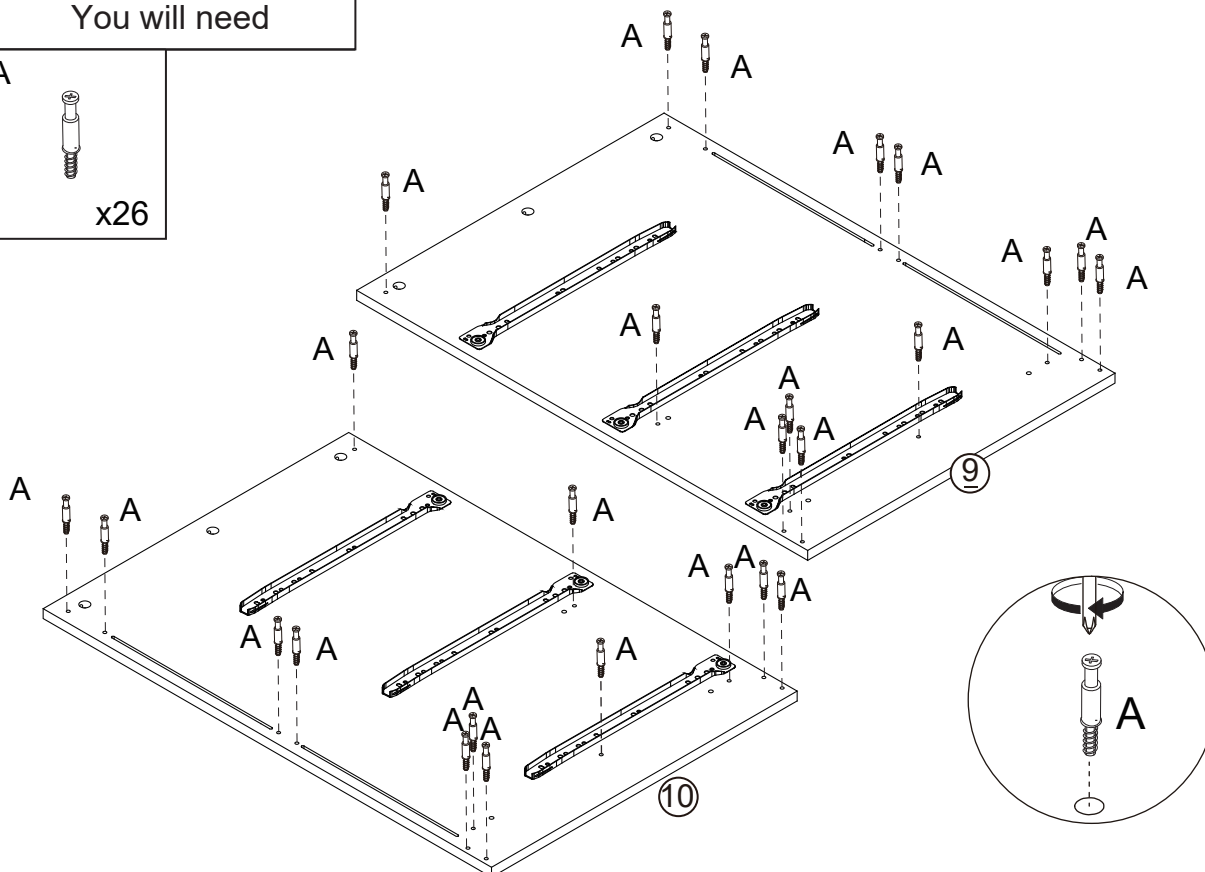
<p>E</p>  <p>x18</p>	<p>CL</p>  <p>x3</p>	<p>CR</p>  <p>x3</p>
---	---	---



2

You will need

<p>A</p>  <p>x26</p>
---



3

You will need

C

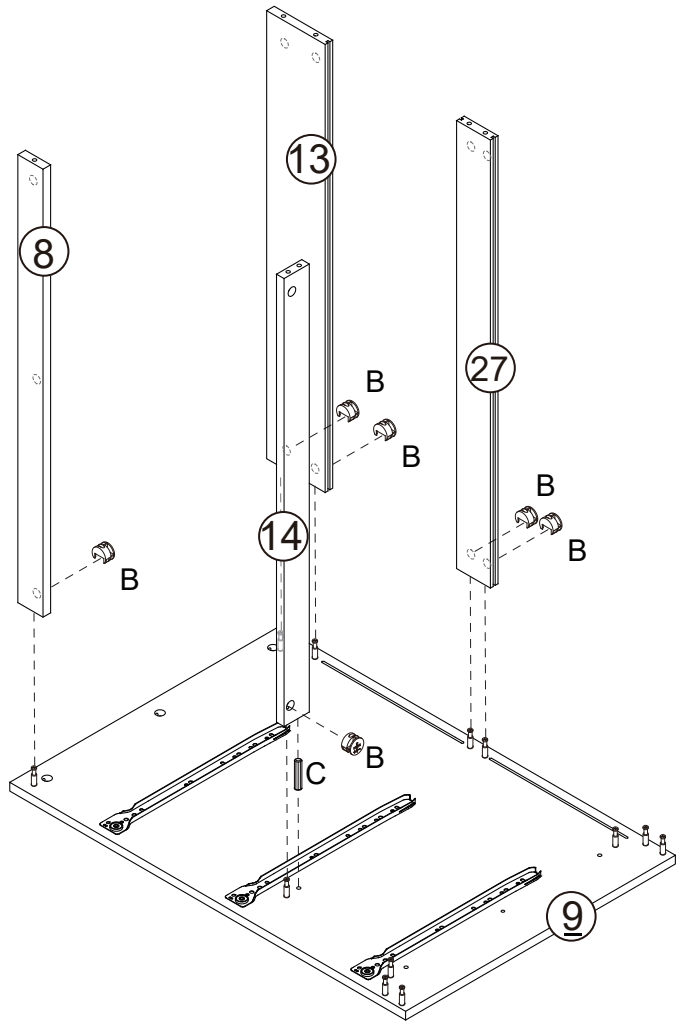
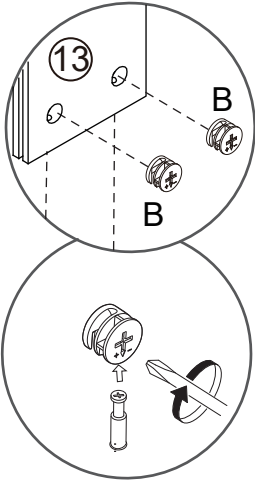


x1

D



x6



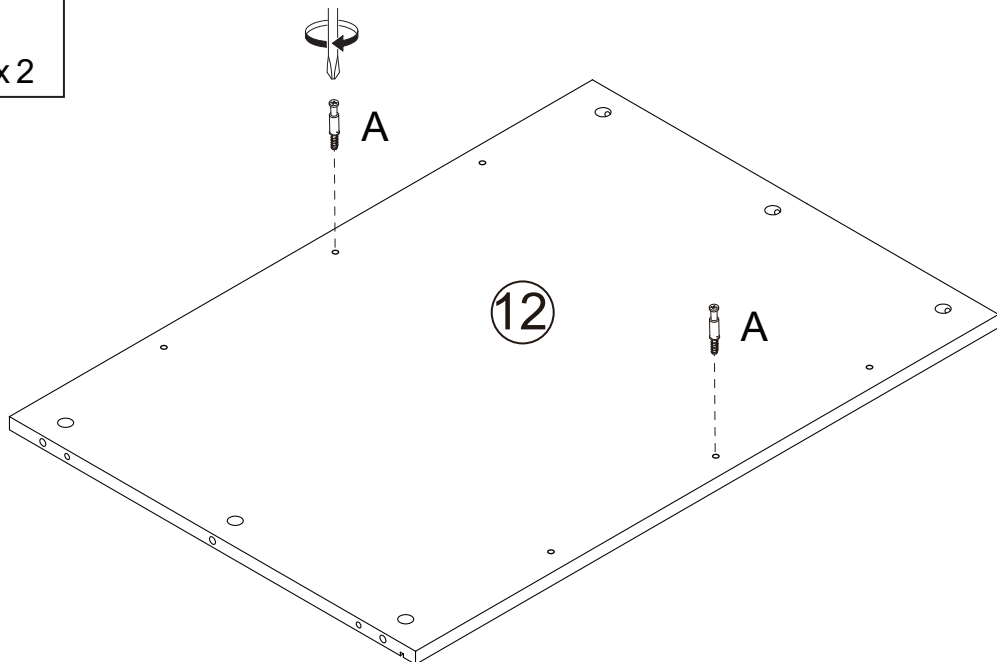
4

You will need

A



x2



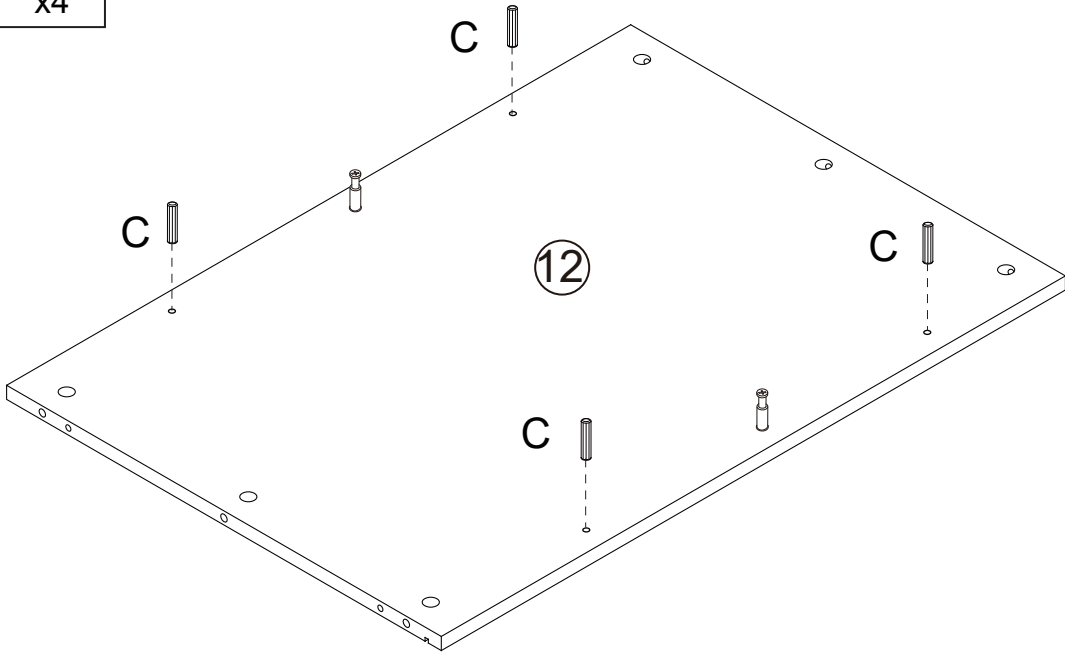
5

You will need

C



x4



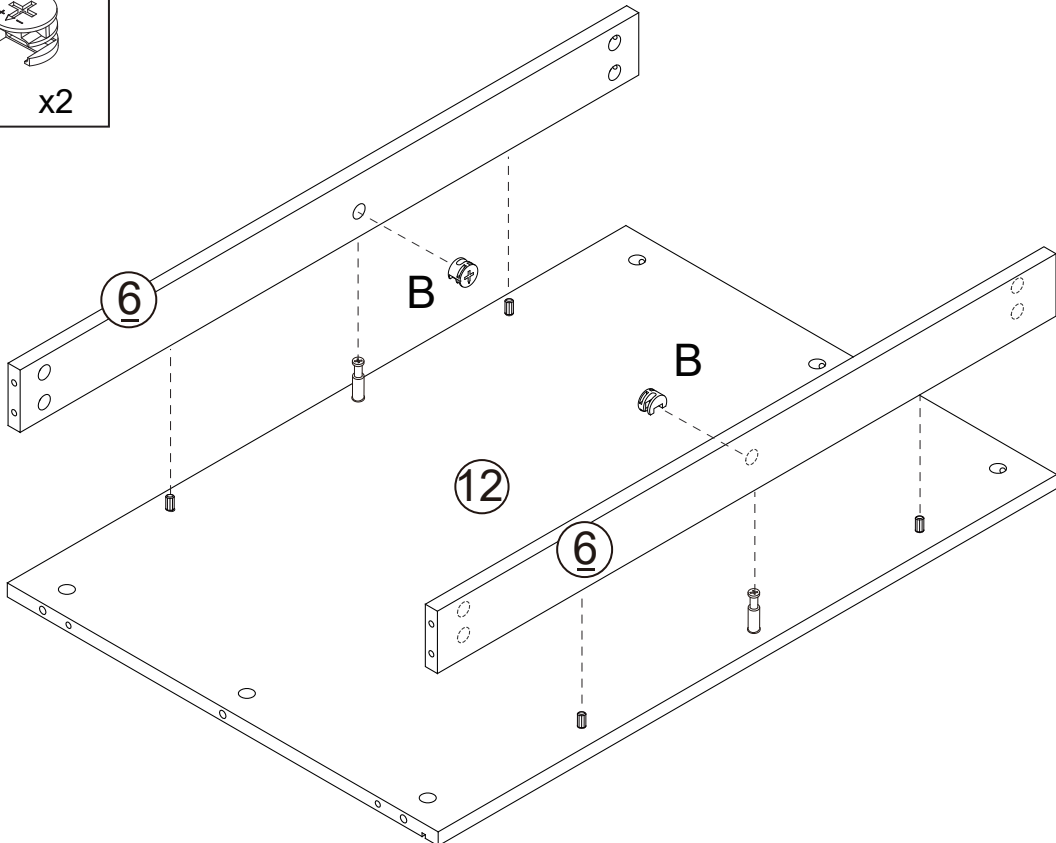
6

You will need

B



x2



7

You will need

C

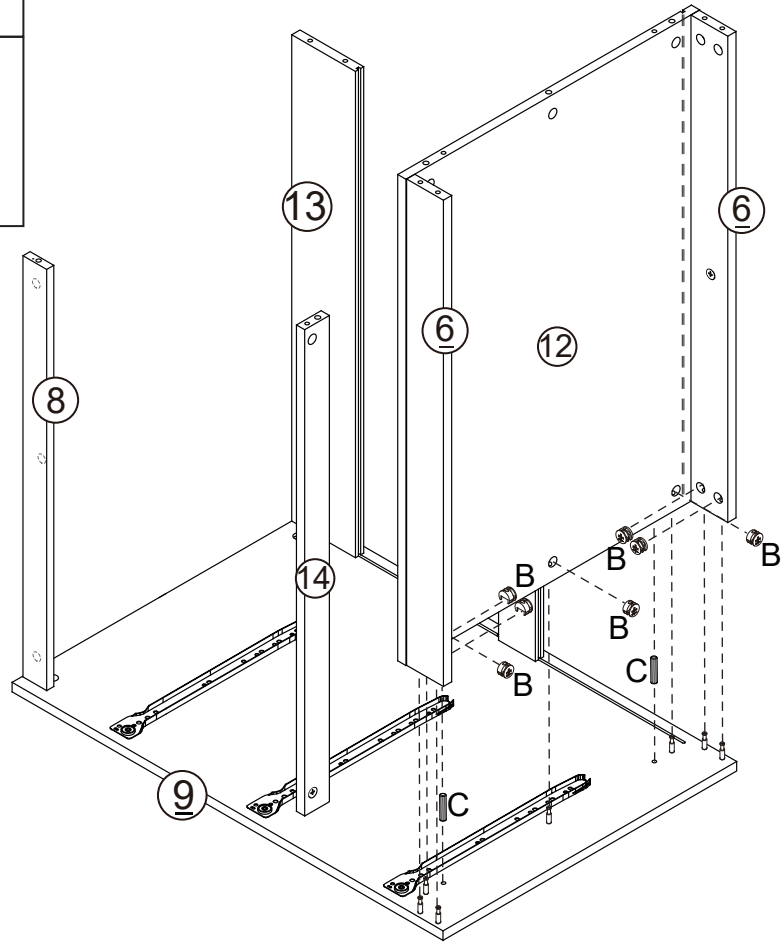
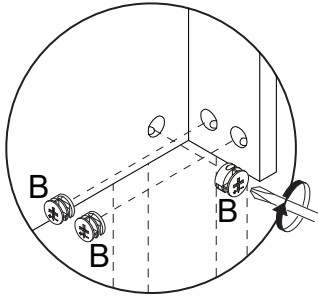


x2

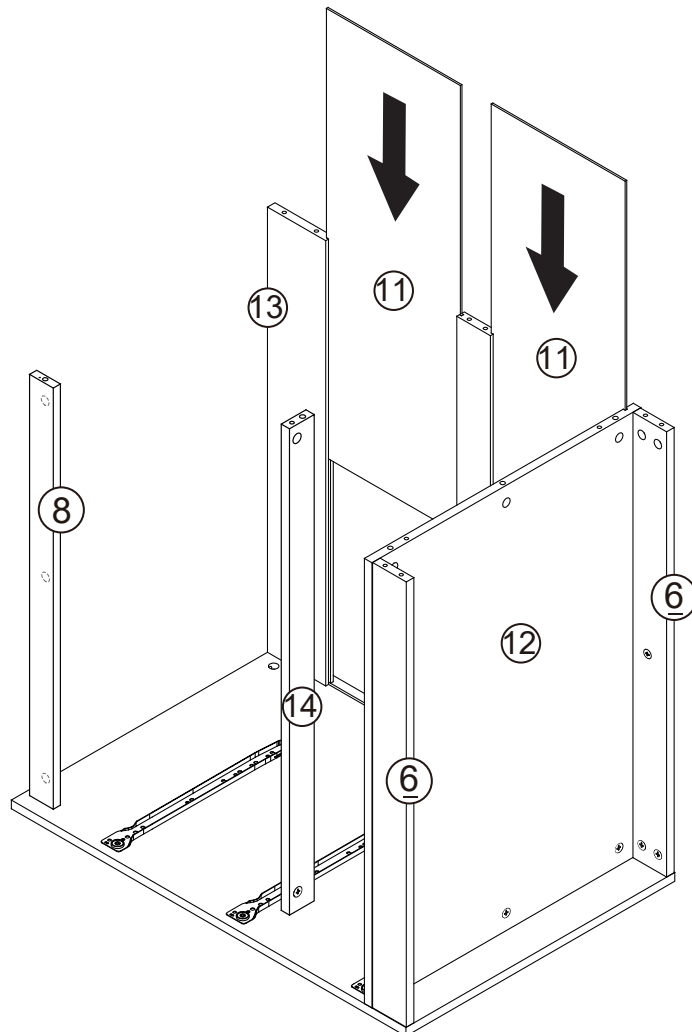
B



x7



8



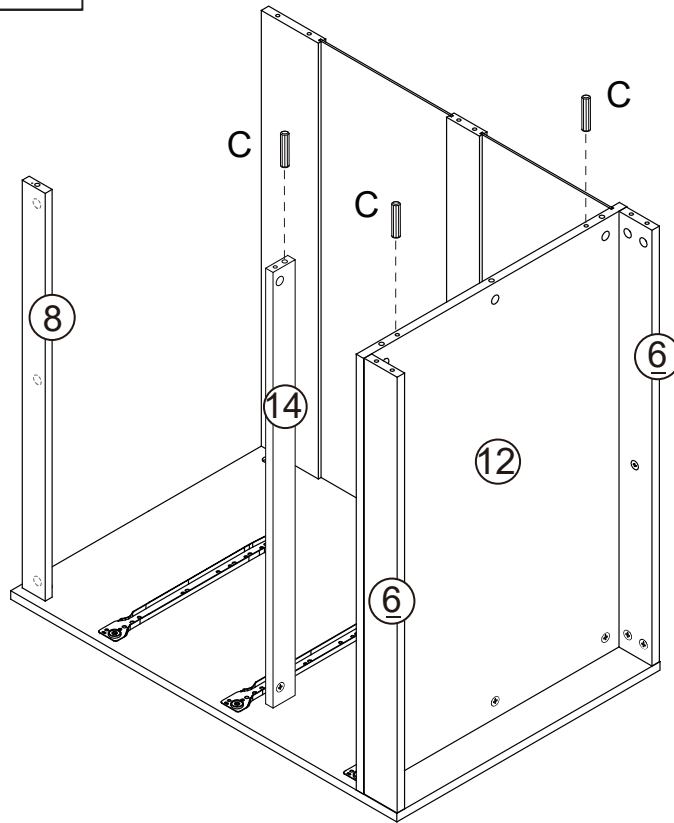
9

You will need

C



x3



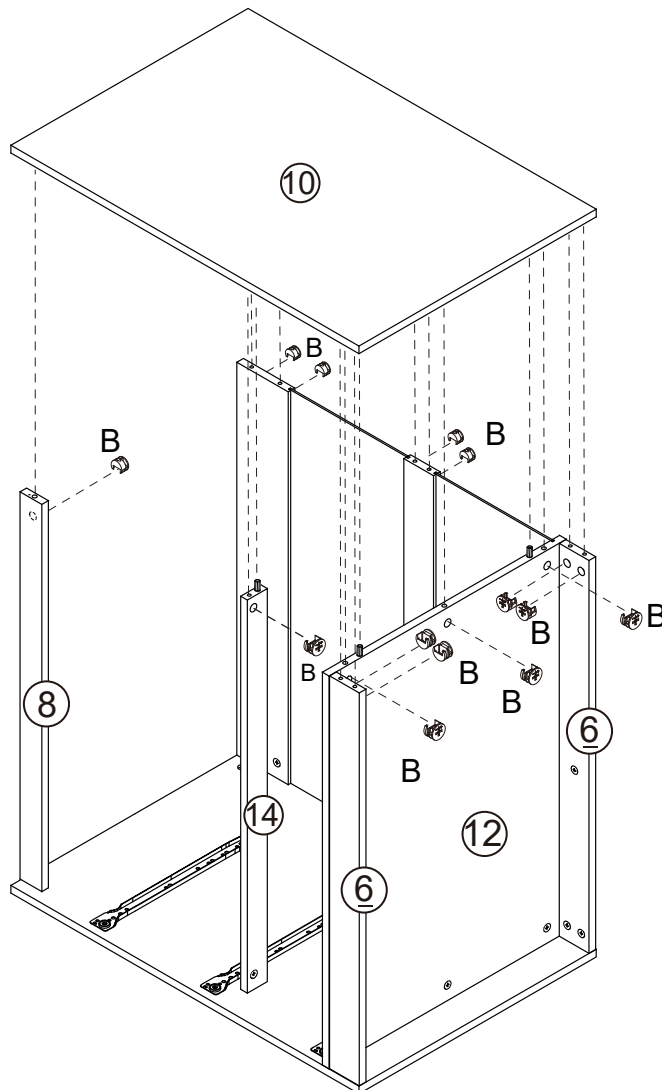
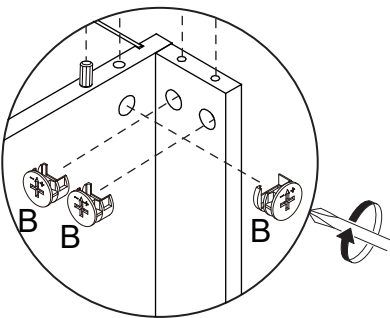
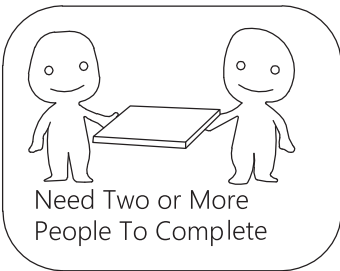
10

You will need

B



x12



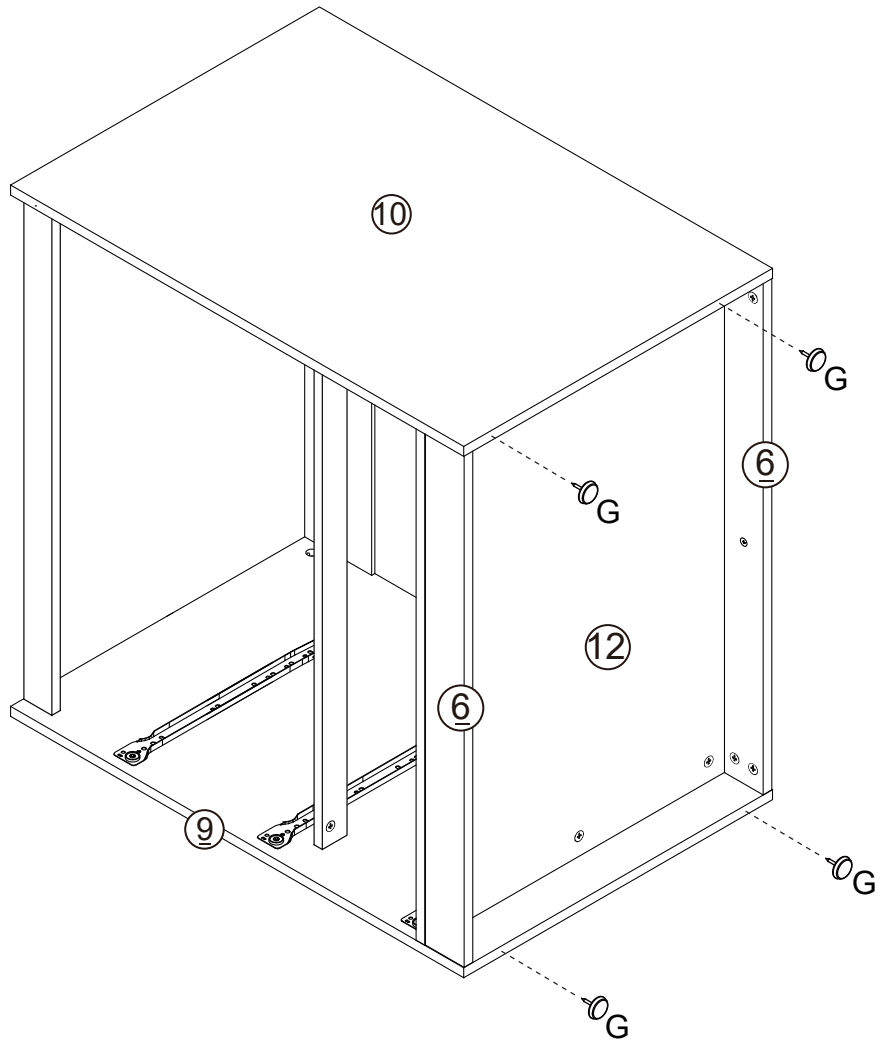
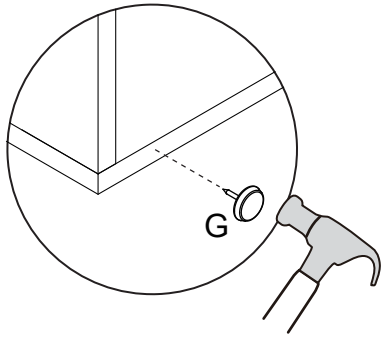
11

You will need

G



x4



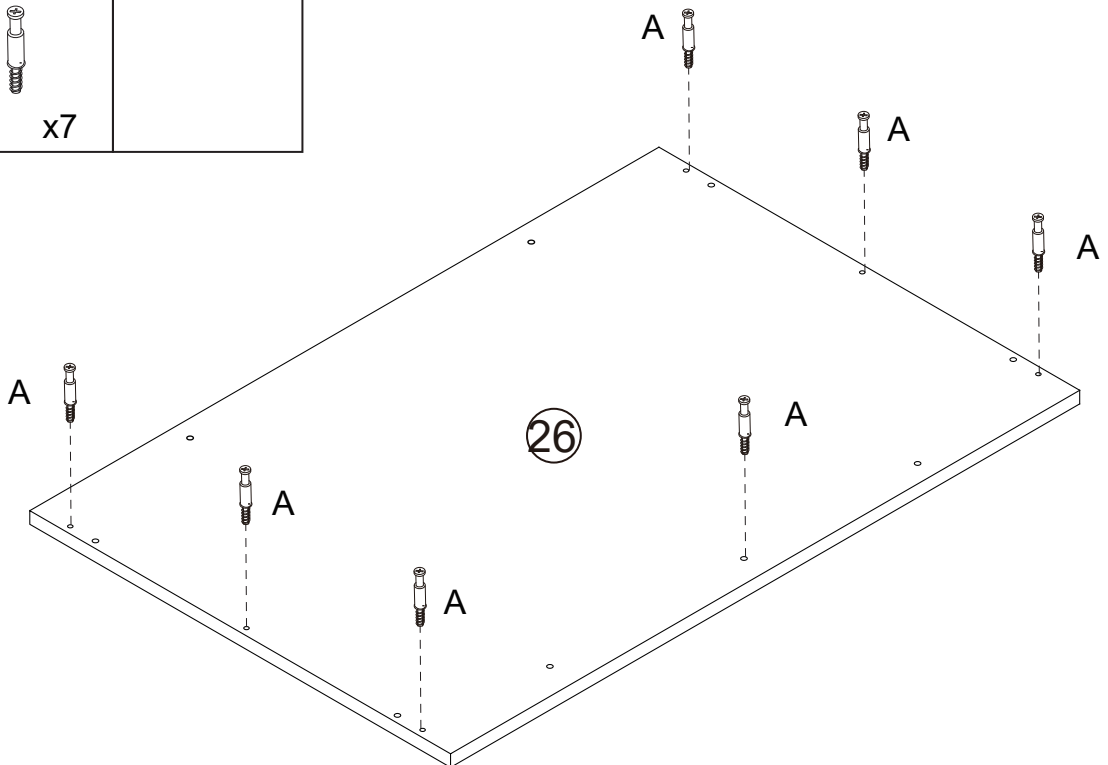
12

You will need

A



x7



13

You will need

C

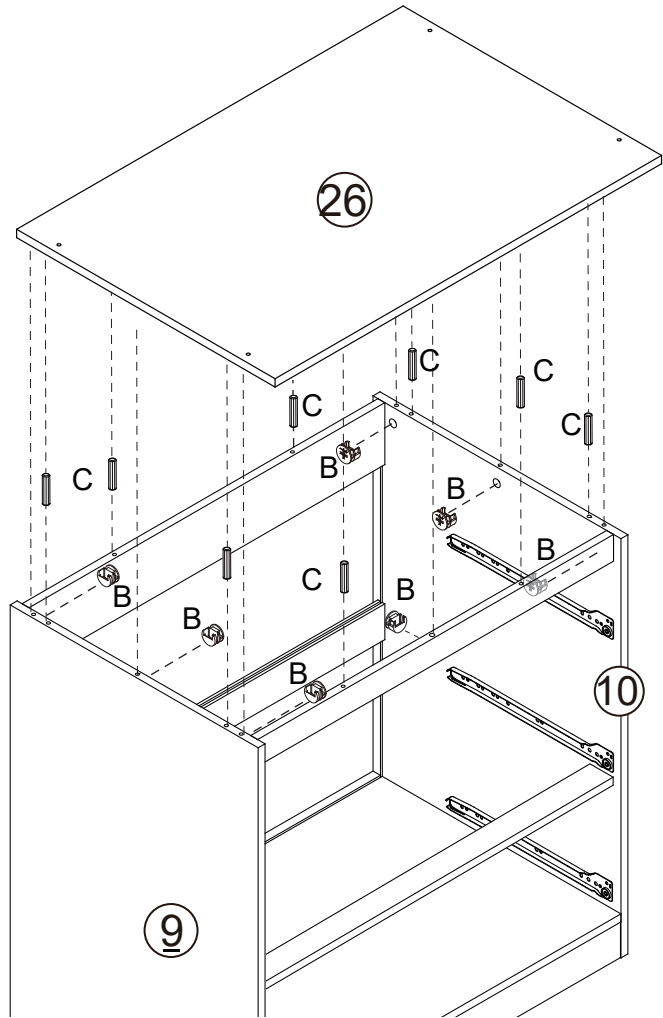
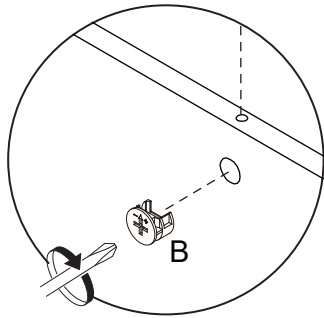


x8

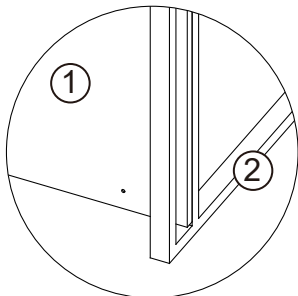
B



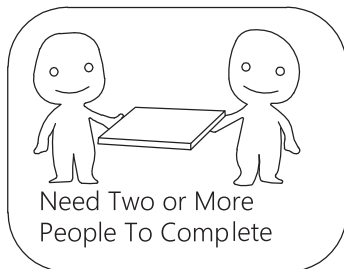
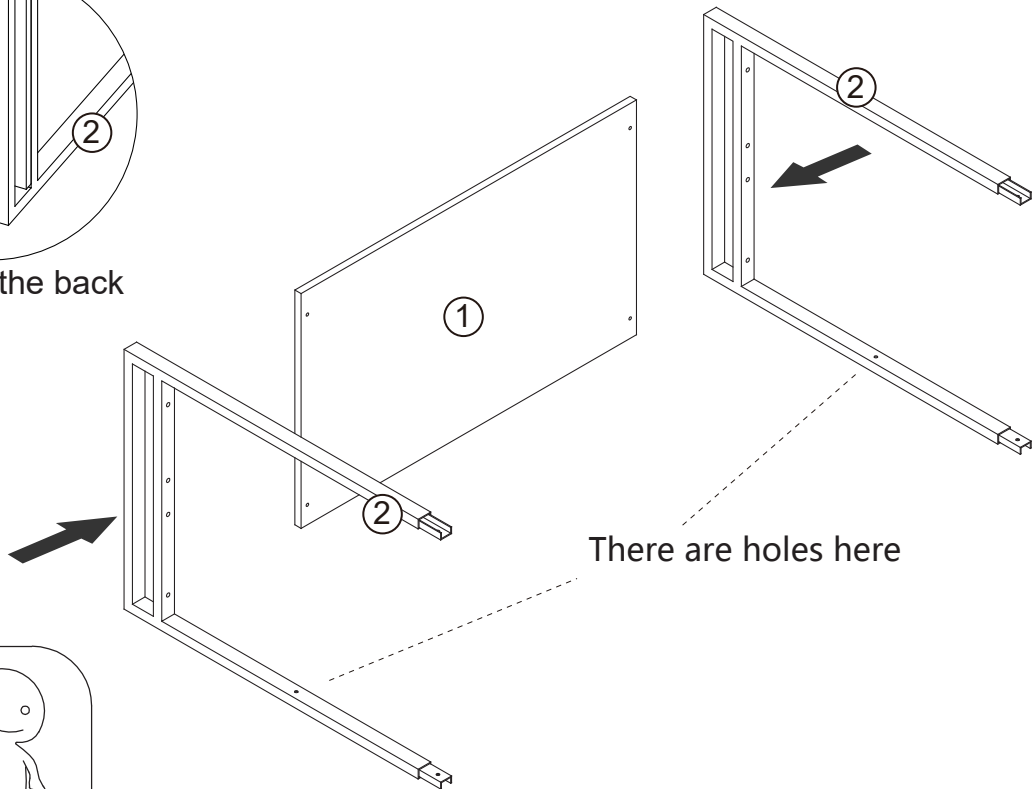
x7



14



Look at the back

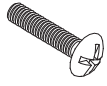


The two holes on board ① are located at the back

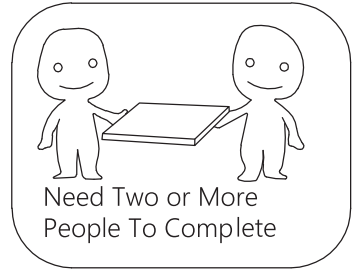
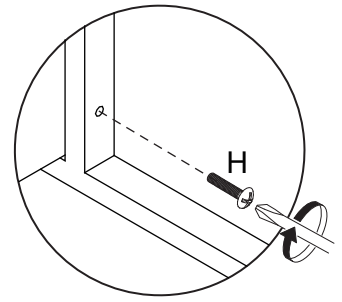
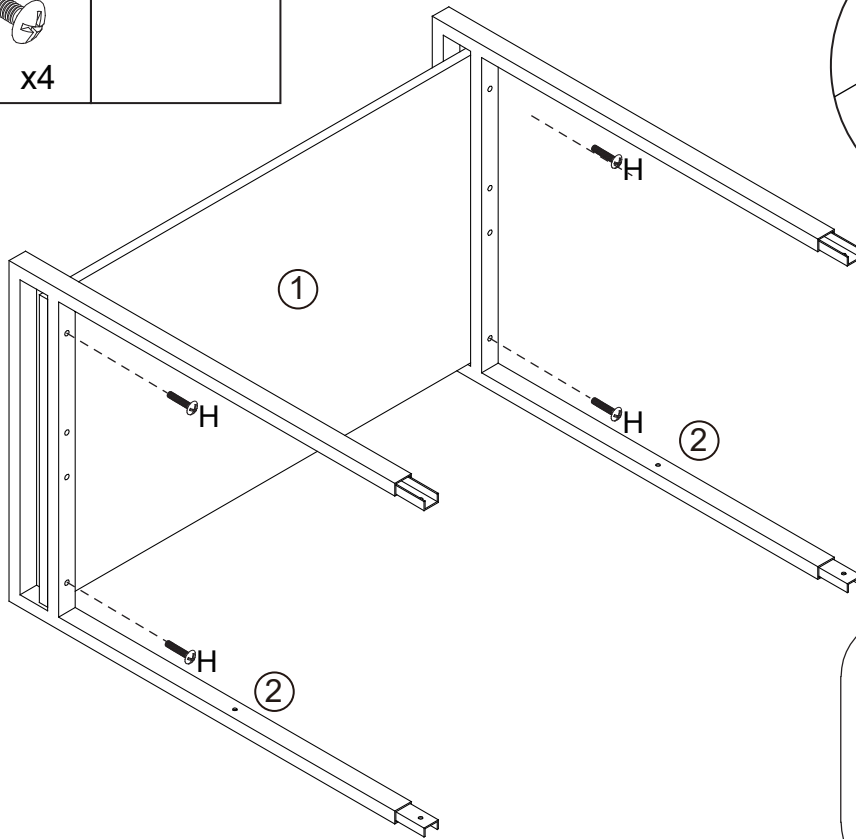
15

You will need

H



x4



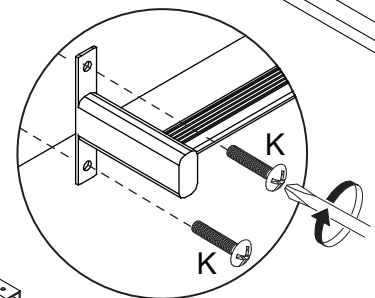
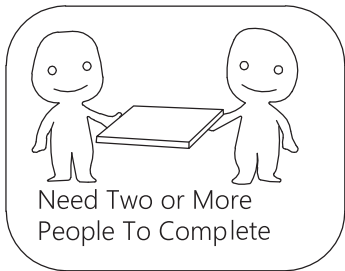
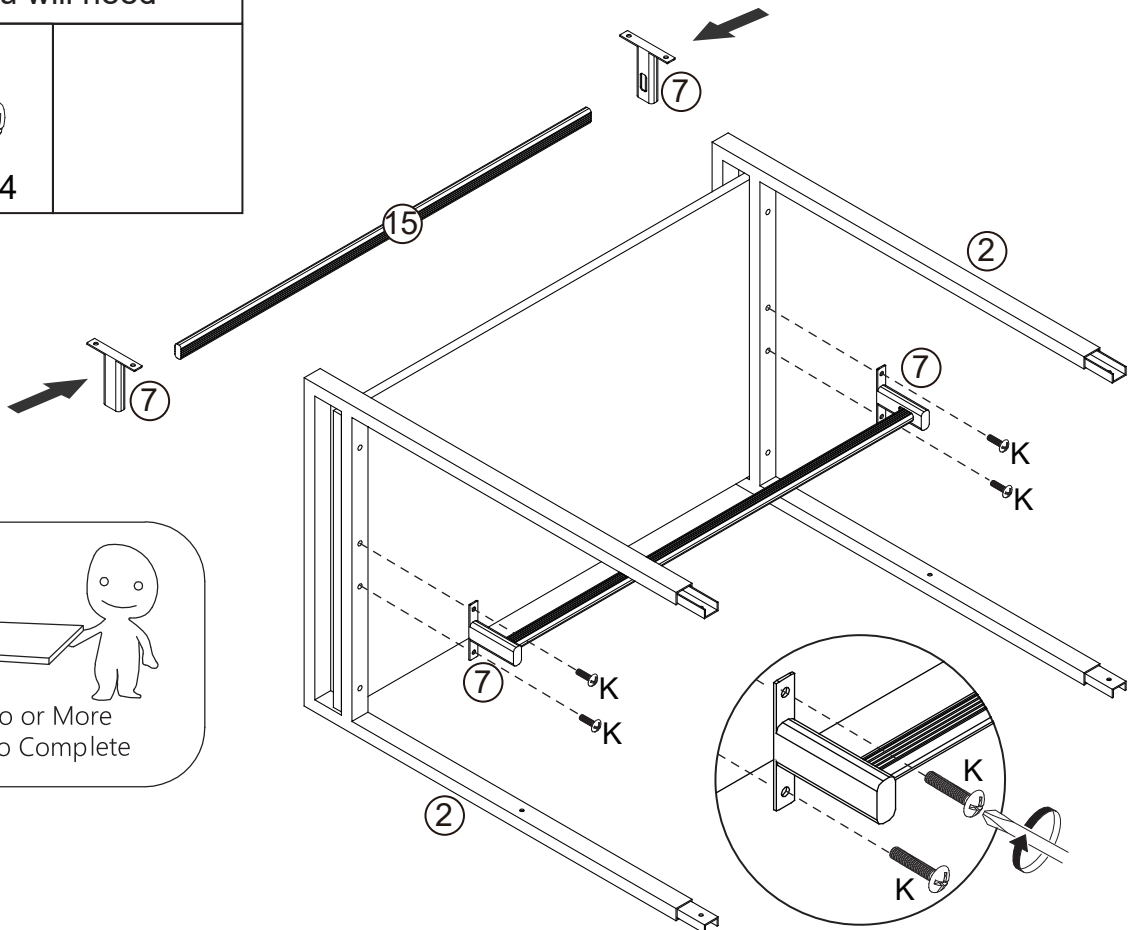
16

You will need

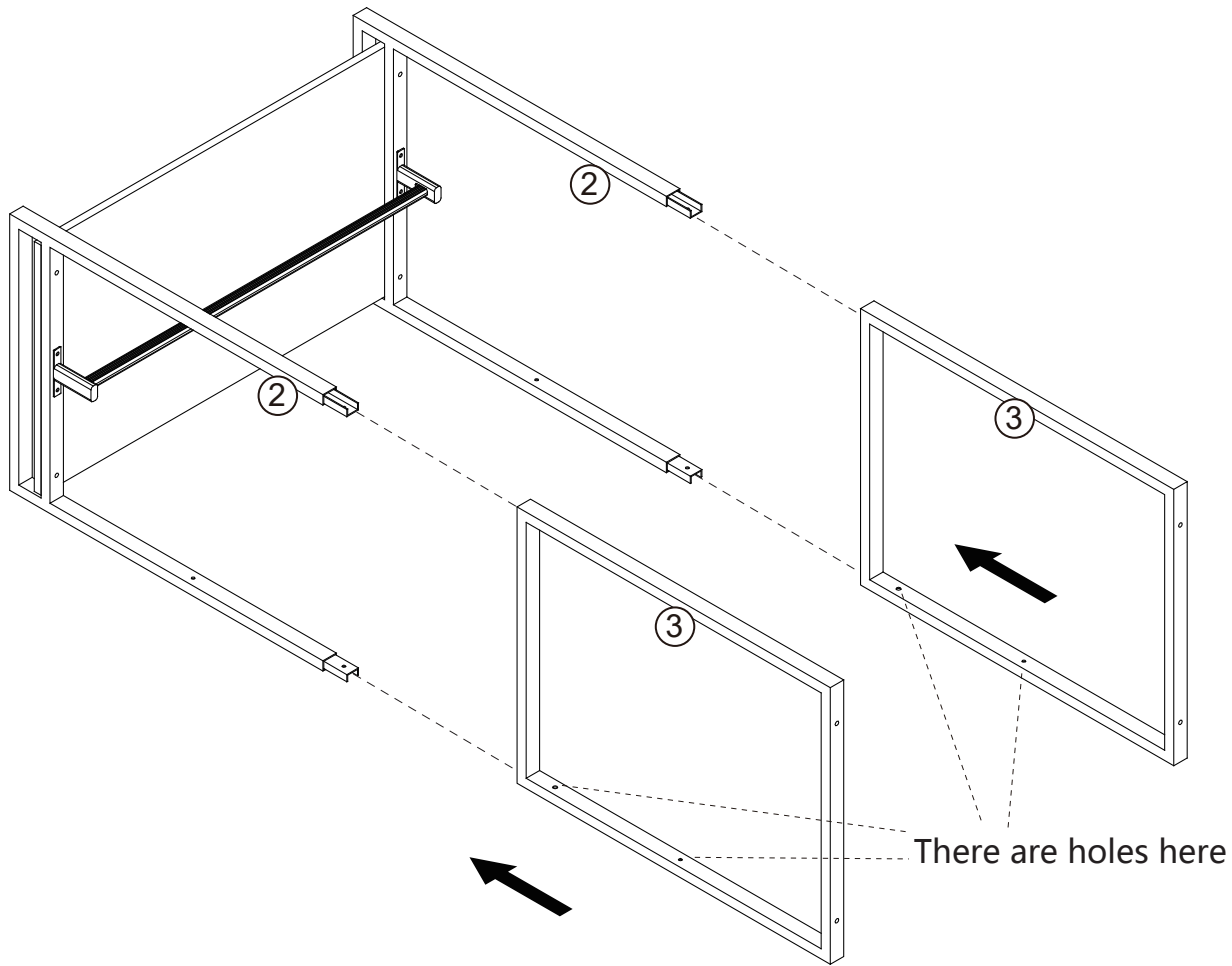
K



x4



17



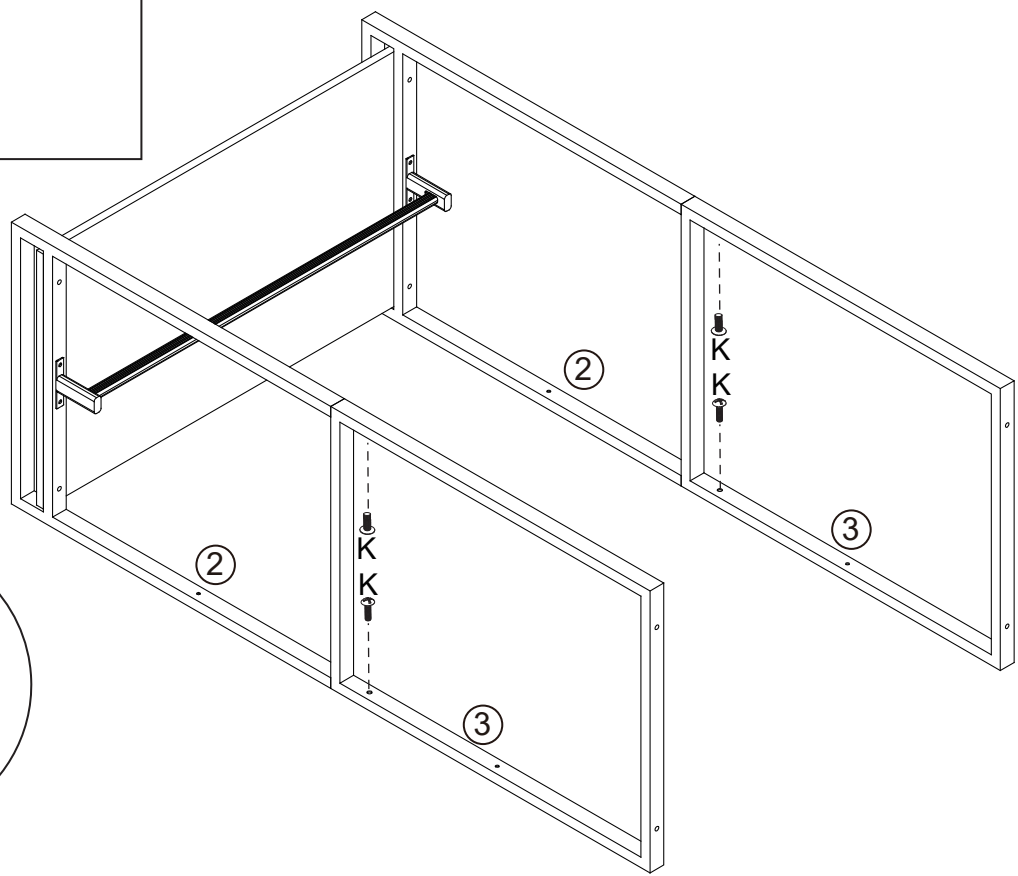
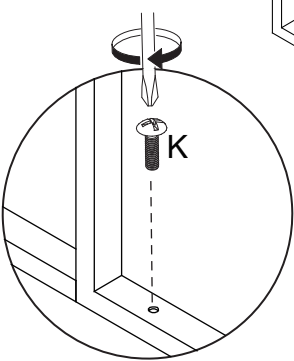
18

You will need

K

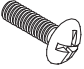
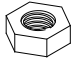
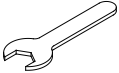


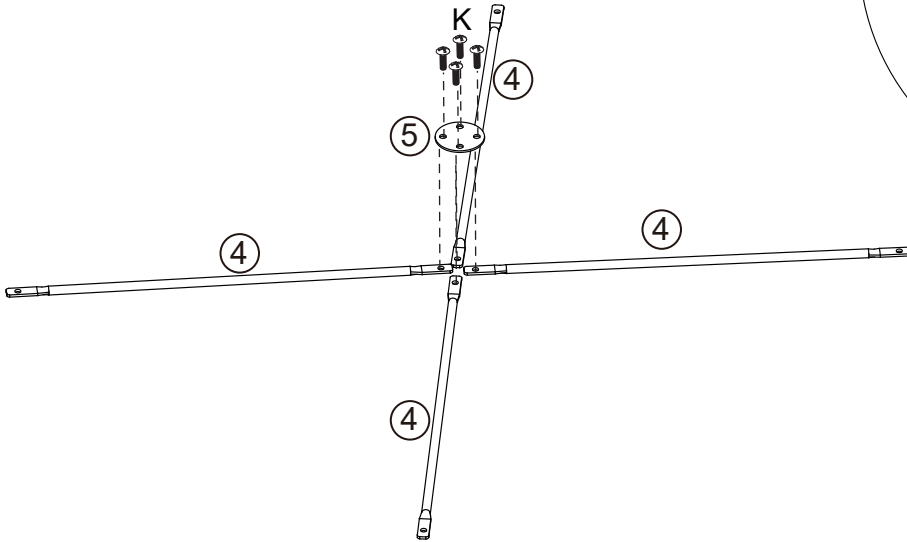
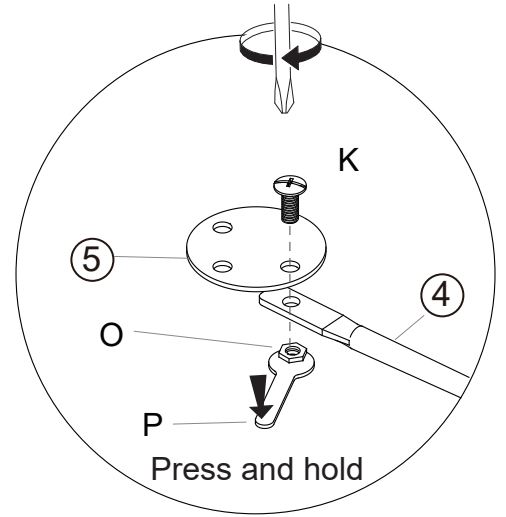
x4



19

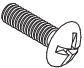
You will need

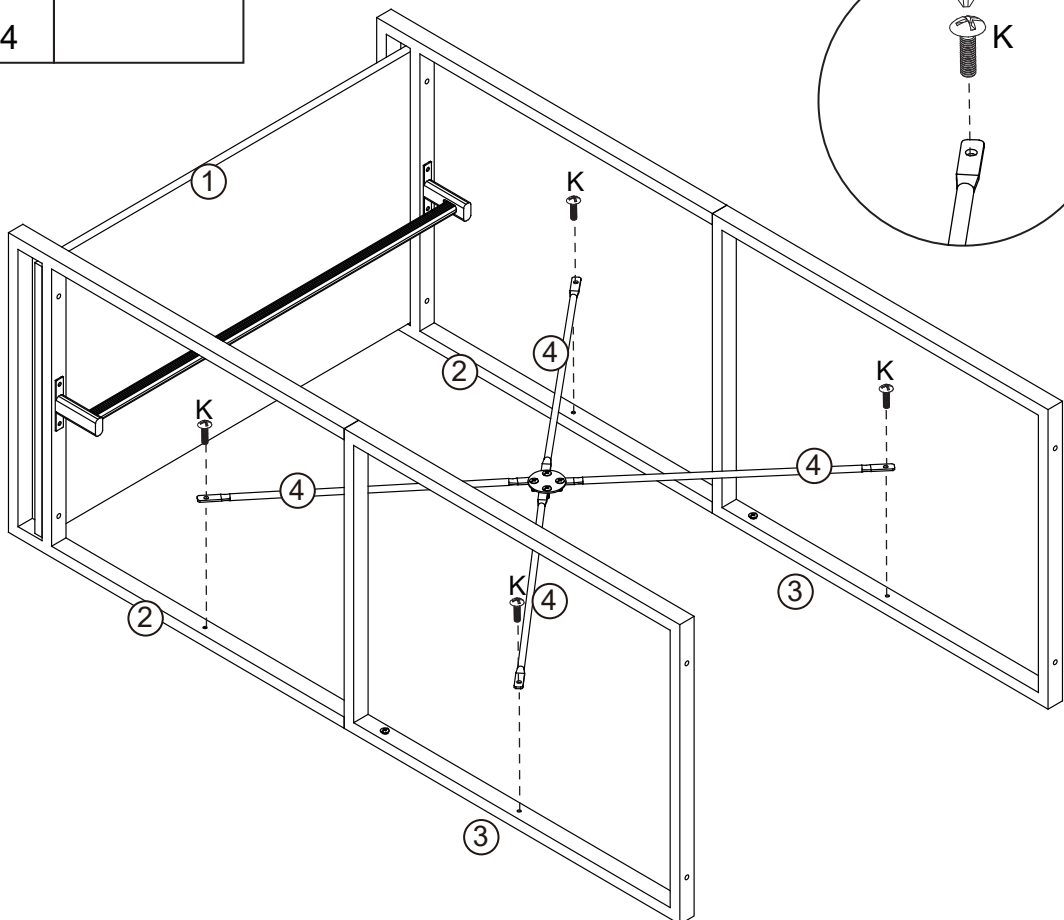
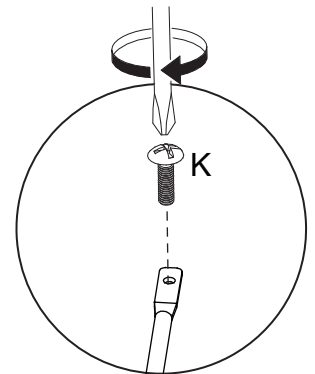
K	O	P
		
x4	x4	



20

You will need

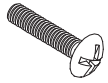
K	
	
x4	



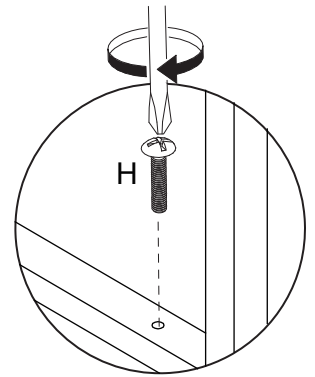
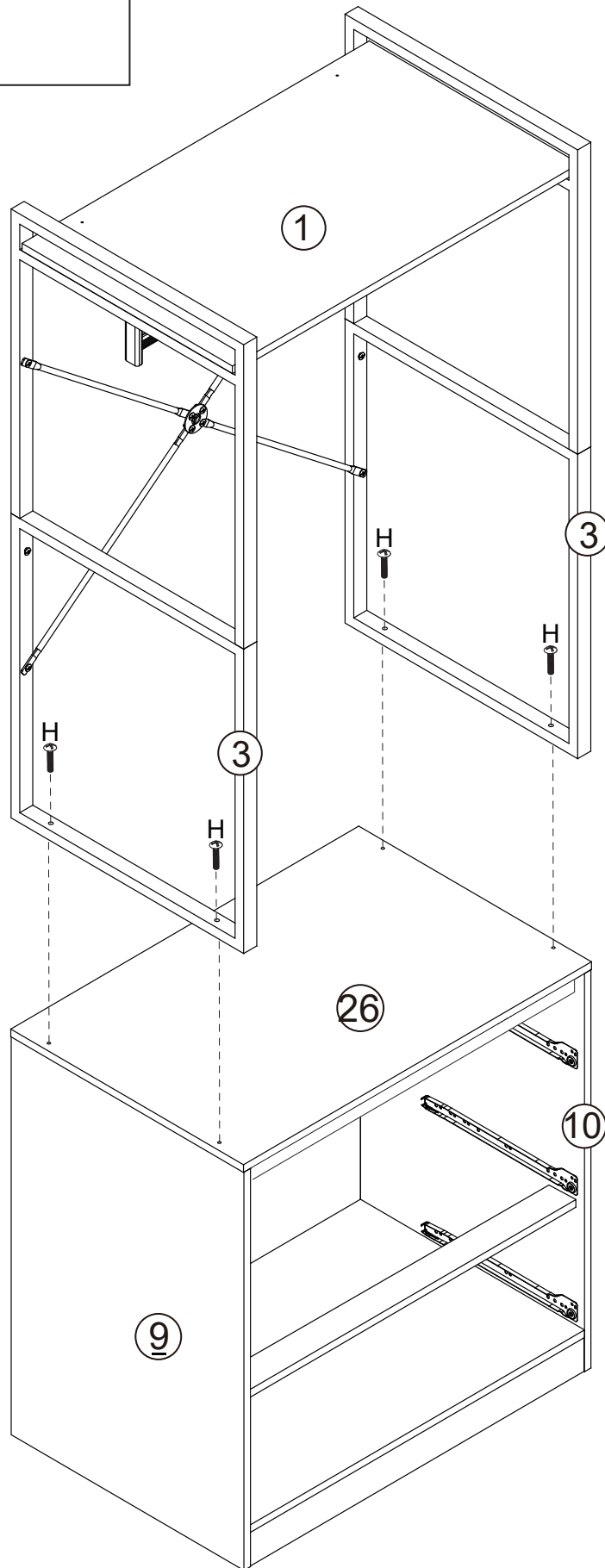
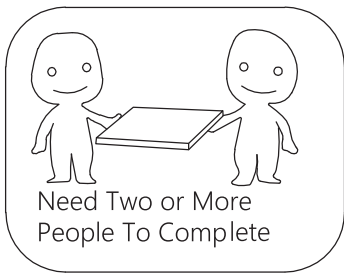
21

You will need

H



x4



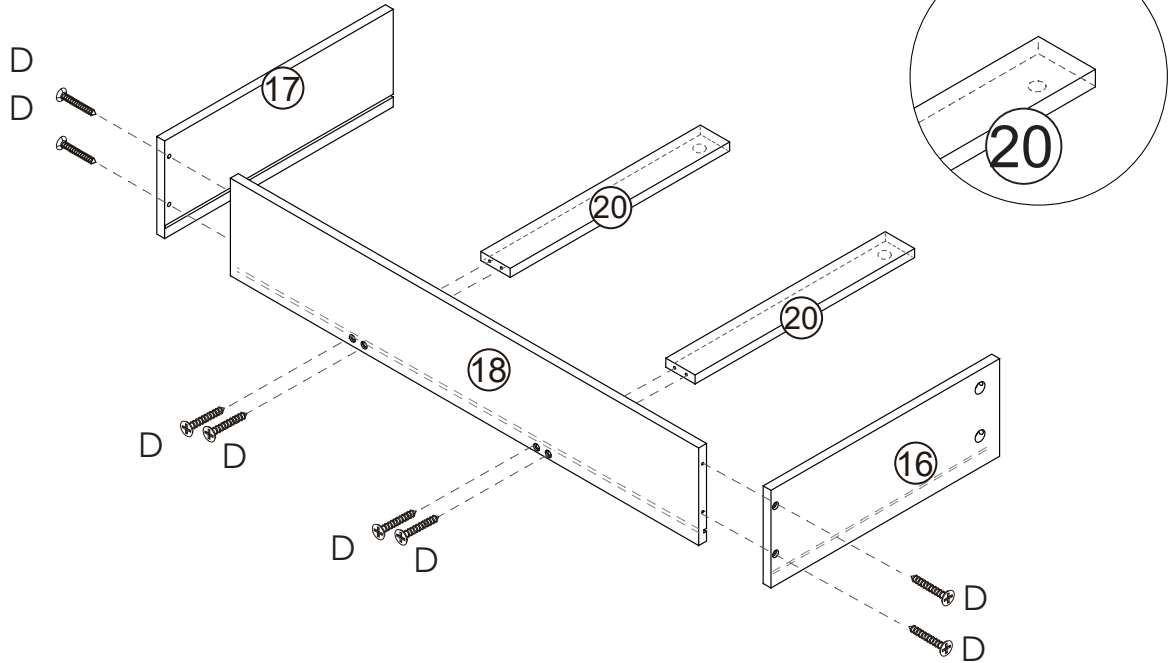
22

You will need

D



x8



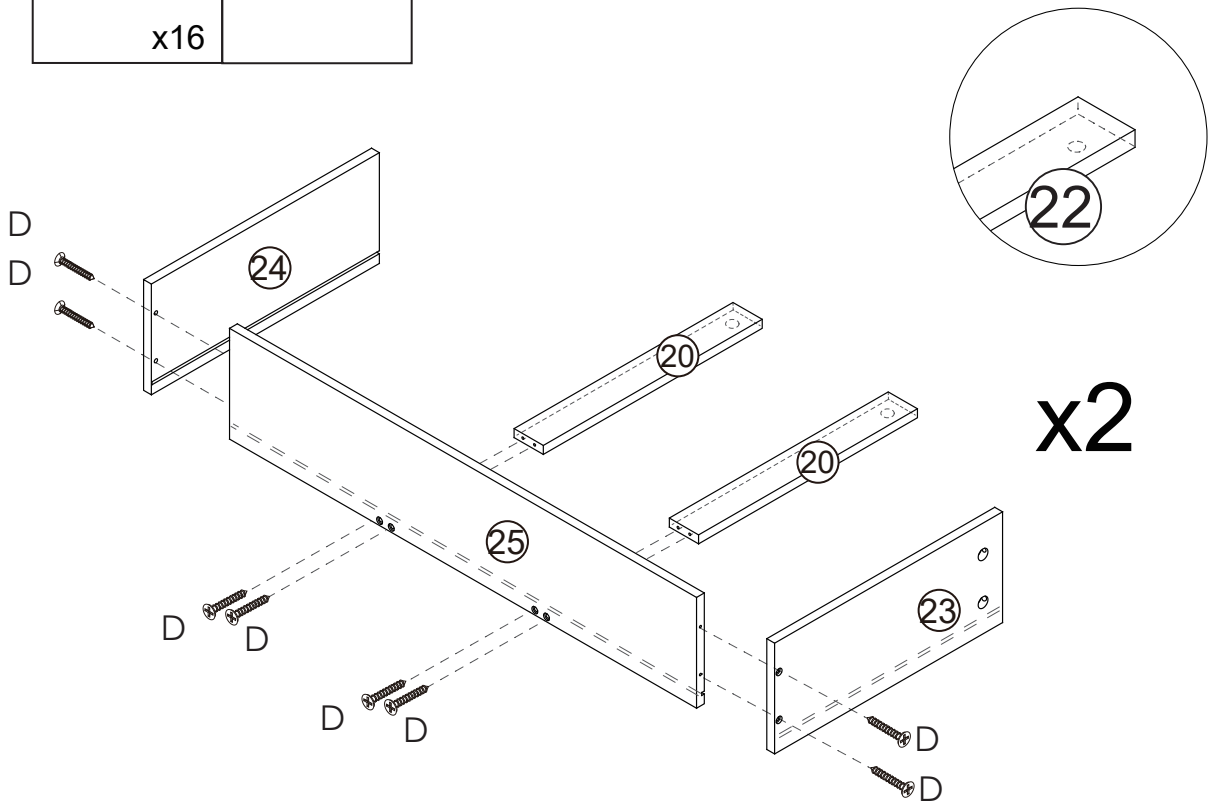
23

You will need

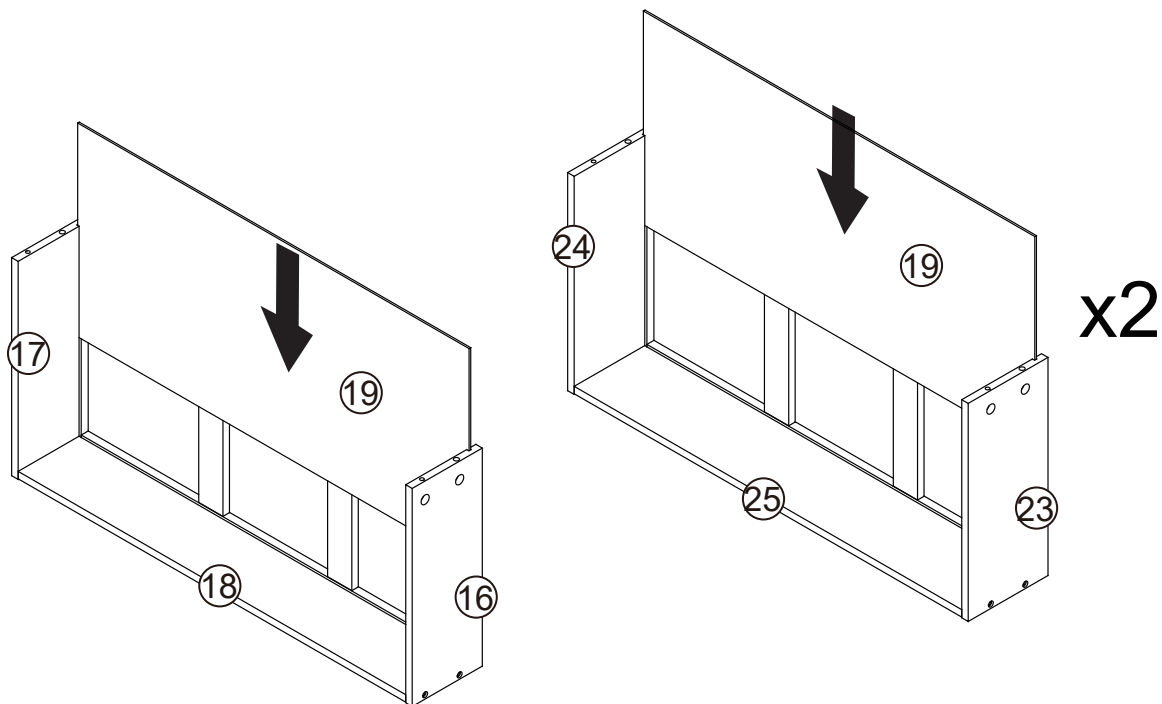
D



x16



24



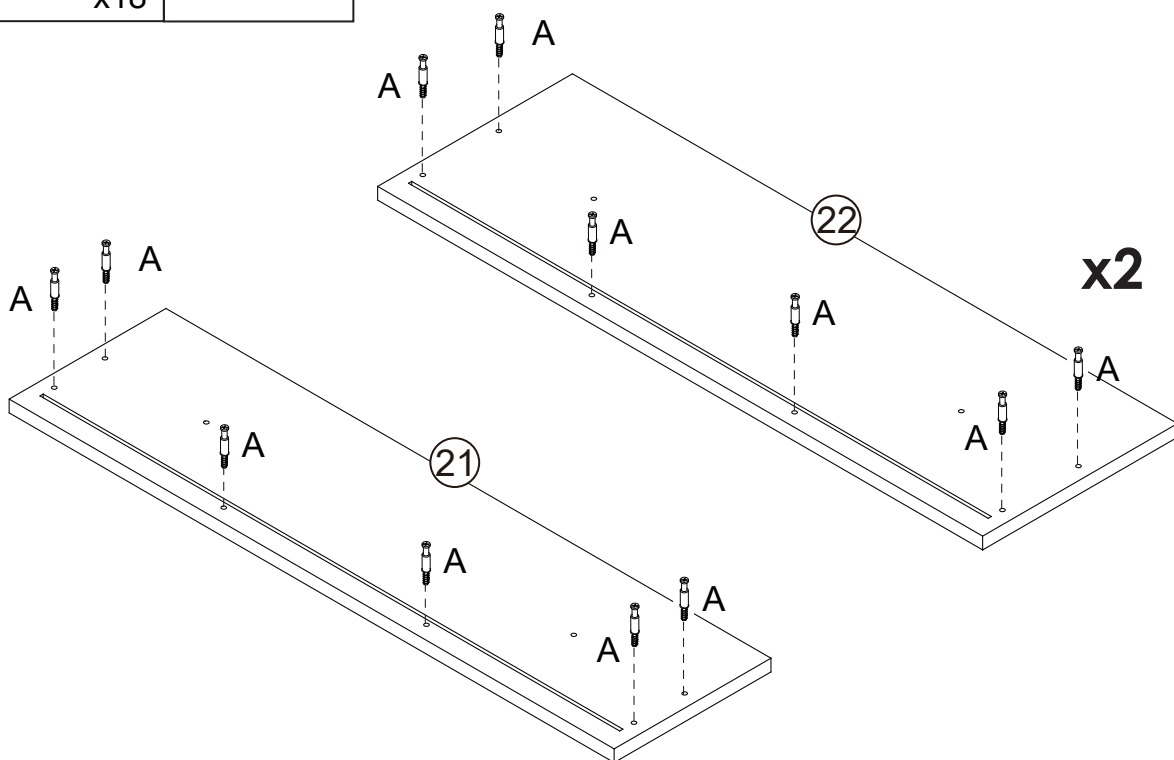
25

You will need

A

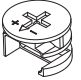




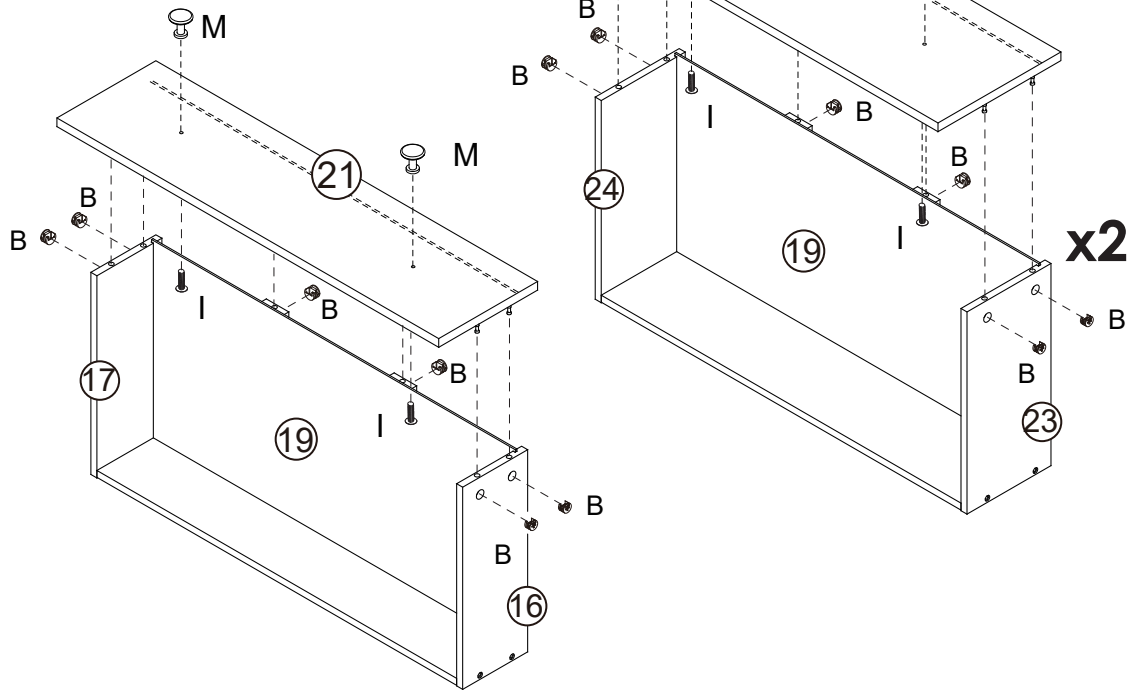
x18



26


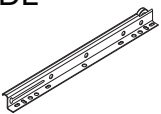
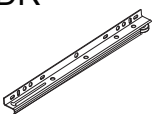
You will need

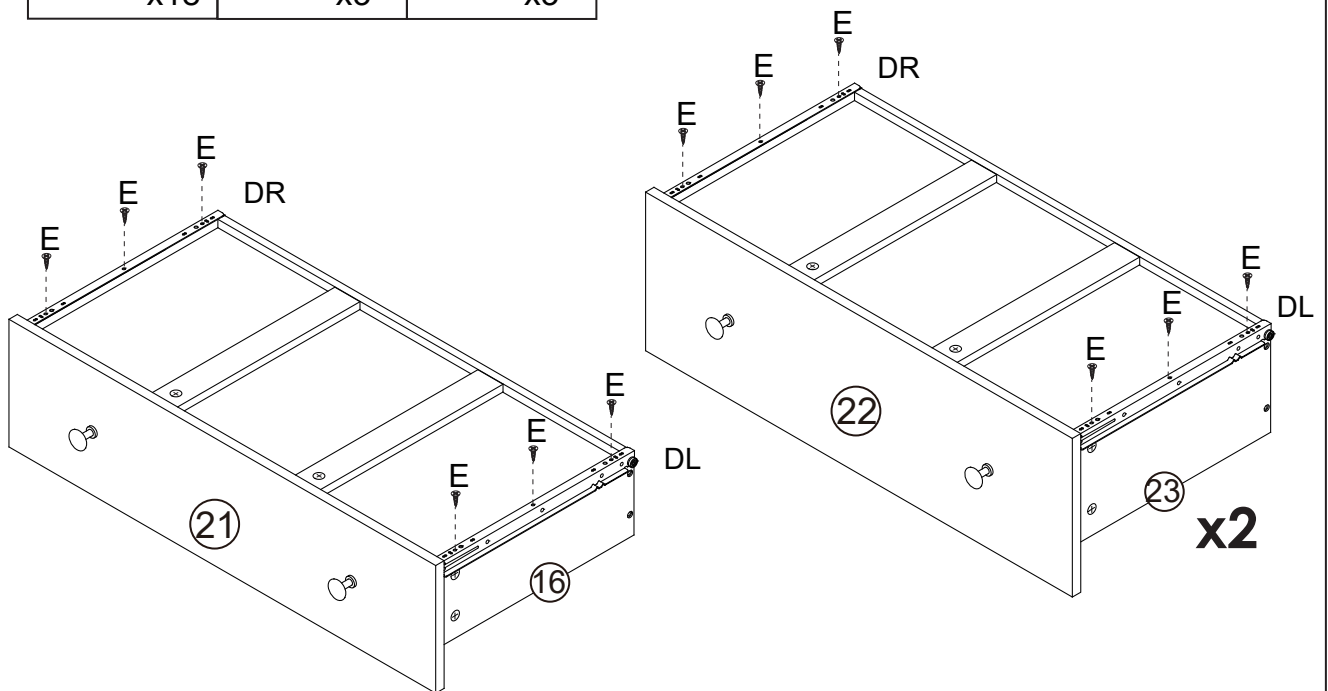
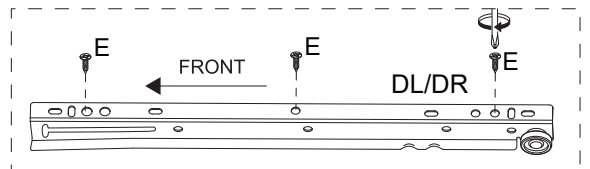
B	I	M
		
x18	x6	x6



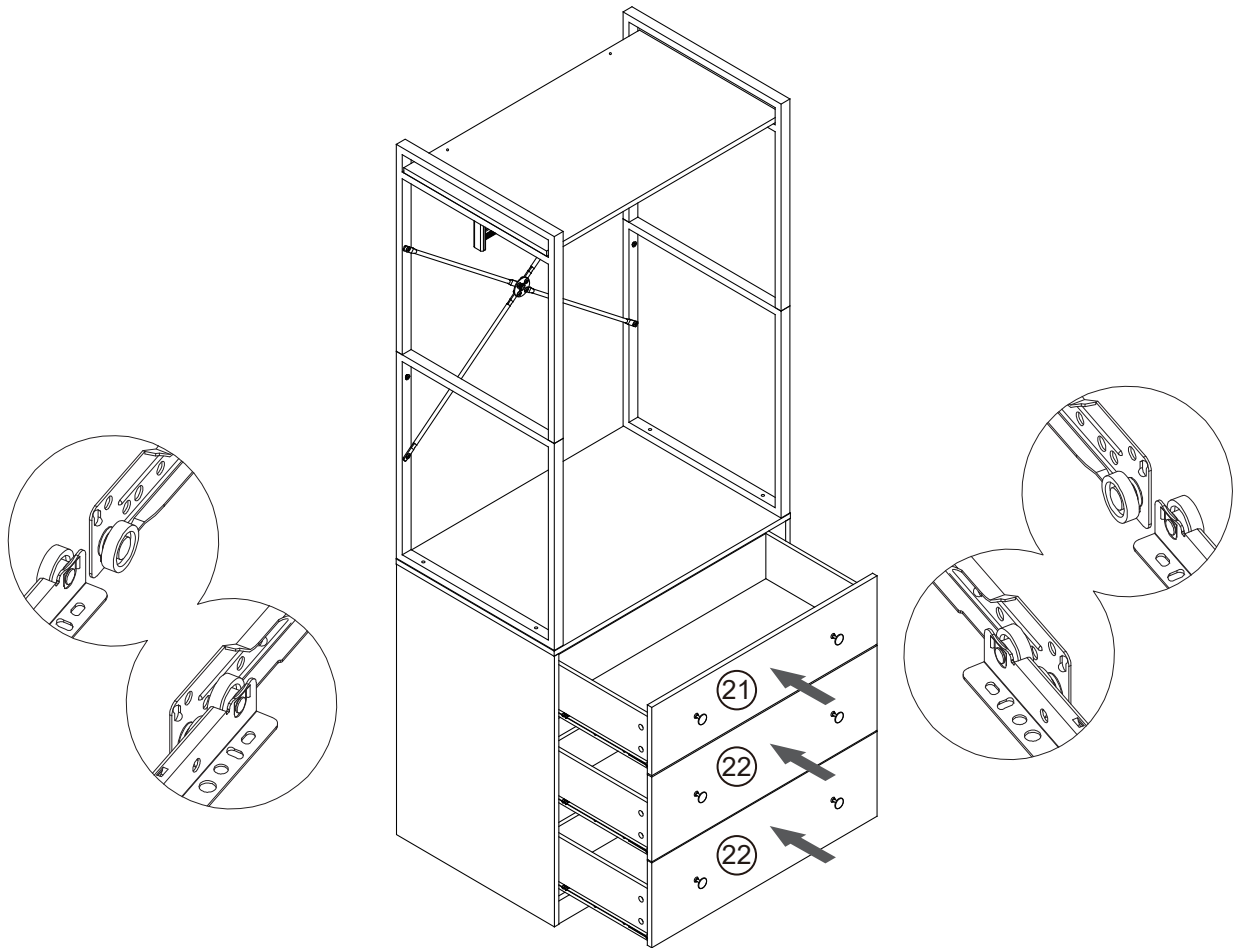
27

You will need

E	DL	DR
		
x18	x3	x3



28



29

You will need

F

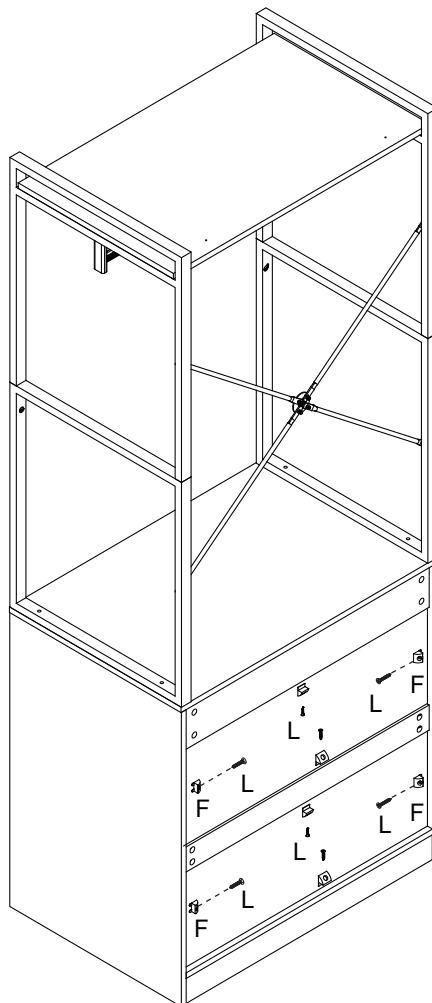
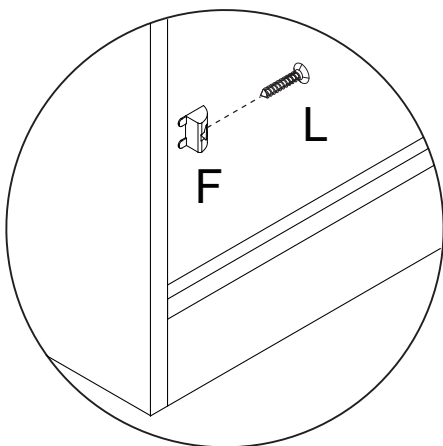


x8

L



x8



You will need

J

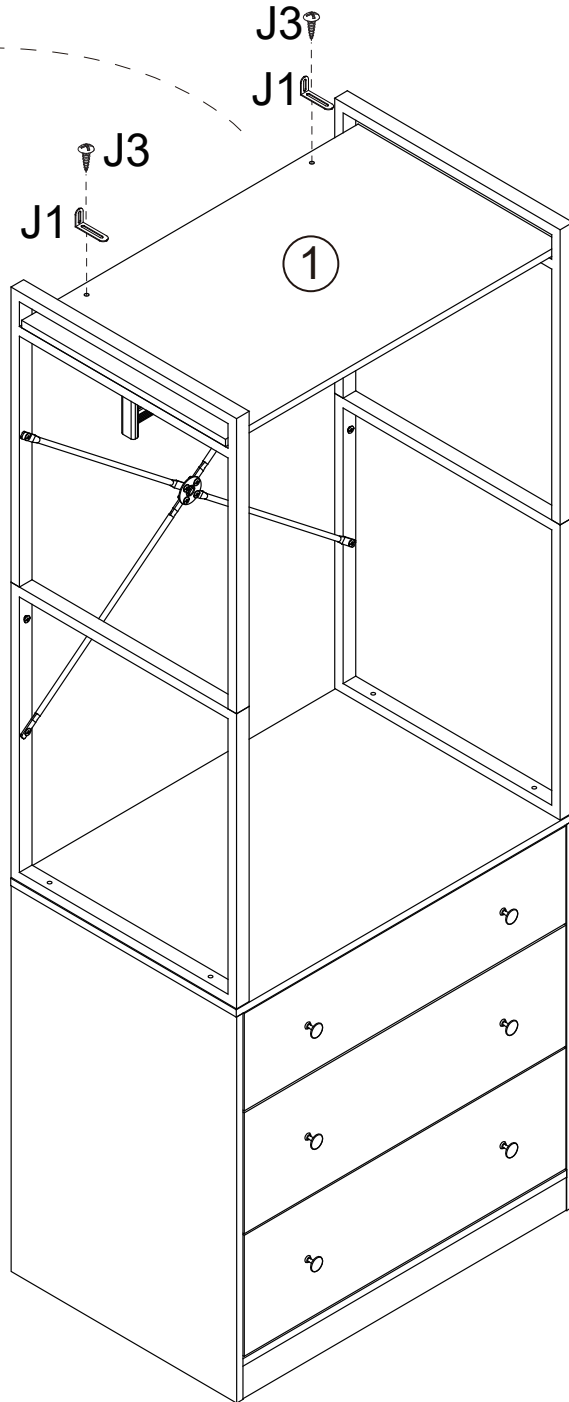
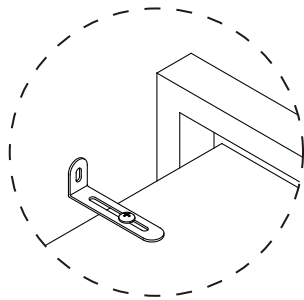
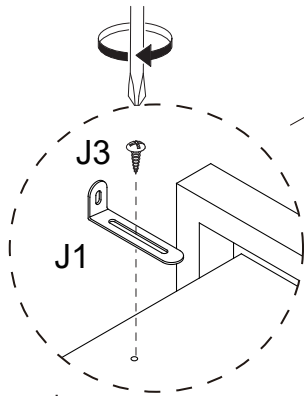


J1

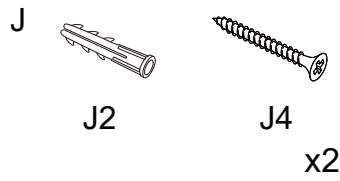


J3

x2



## You will need

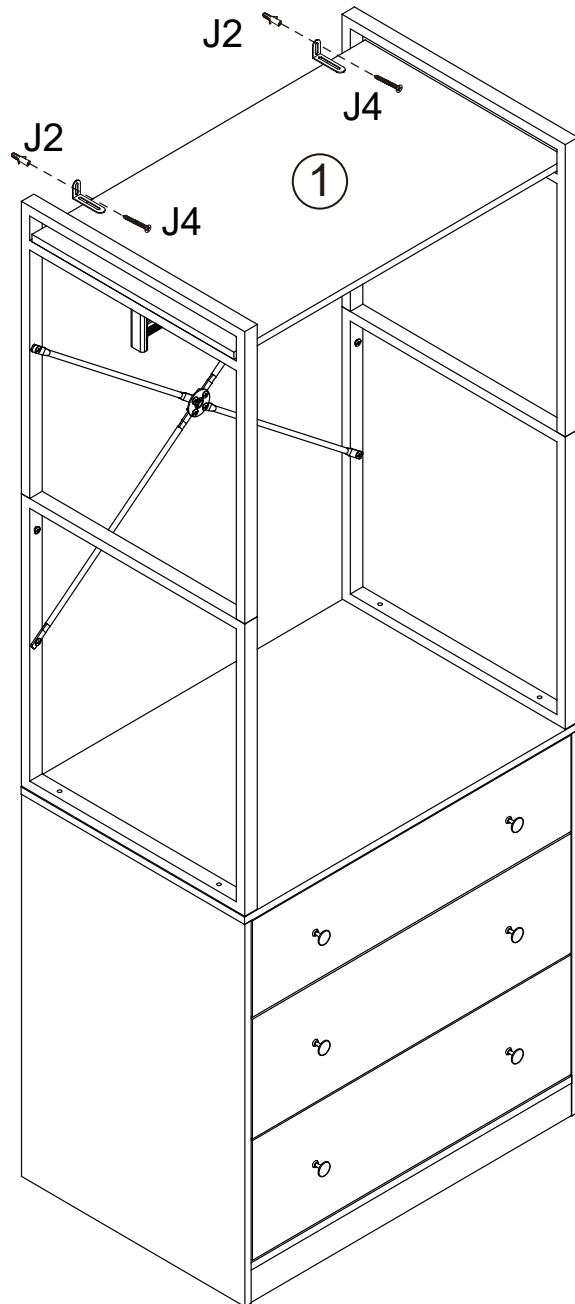
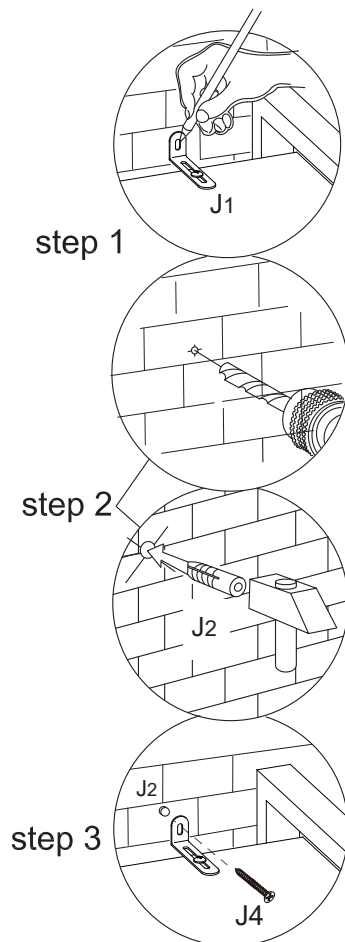


step 1. Mark the position on the wall.

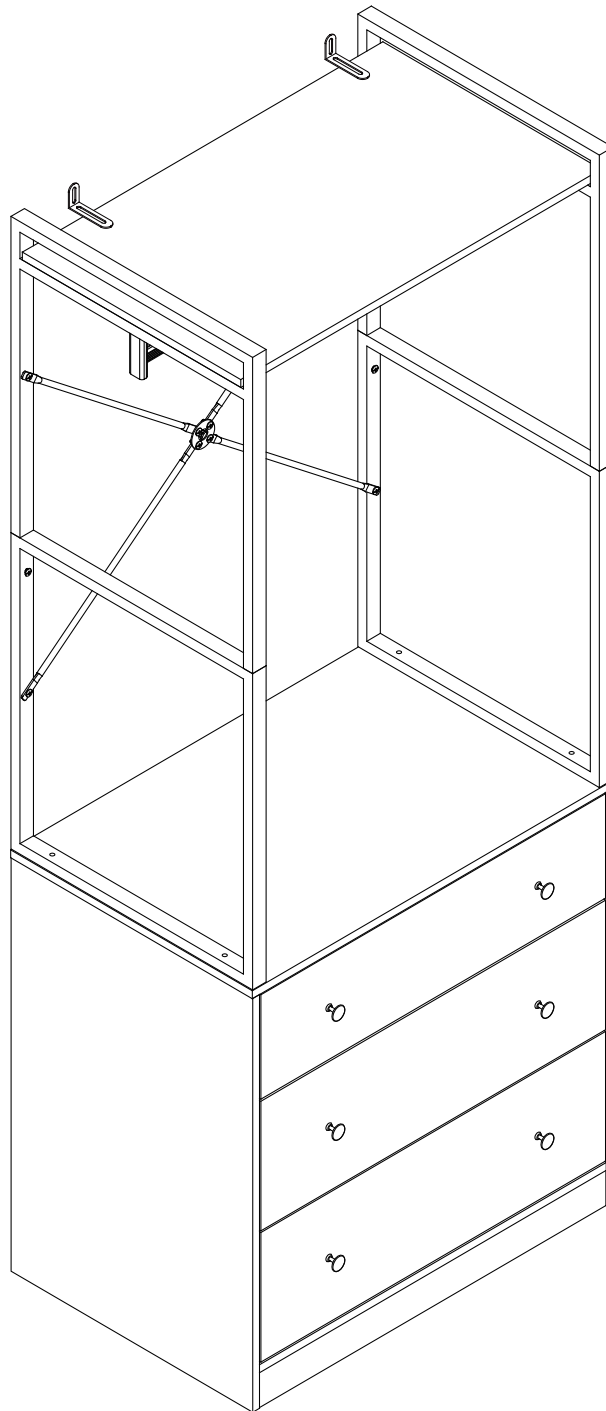
step 2. Drill and insert the expandable screw J2 by hammer.

step 3. Use screw J4 to attach it and tighten by screwdriver.

Mark on the wall using holes



If it is a solid wall, please use expansion and self-tapping screws to secure the cabinet to the wall, if it is a wooden wall, only use self-tapping screws. Please don't overtighten screws.



## GUARANTEE

Storage Cabinet offers a **90-days** warranty that begins on the date of the original purchase and applies to problems caused by the manufacturer. For questions, assistance, or support, please contact the Customer Service by e-mail with your order number and details. We will send you further information about the solution.