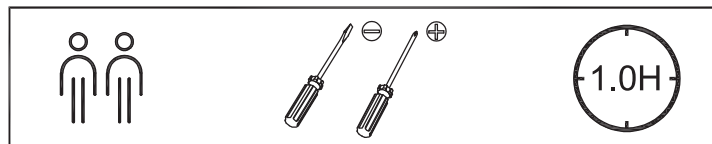
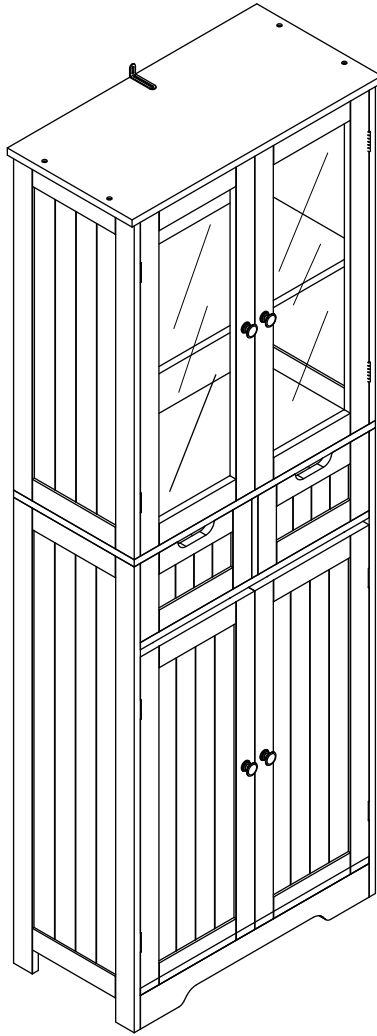
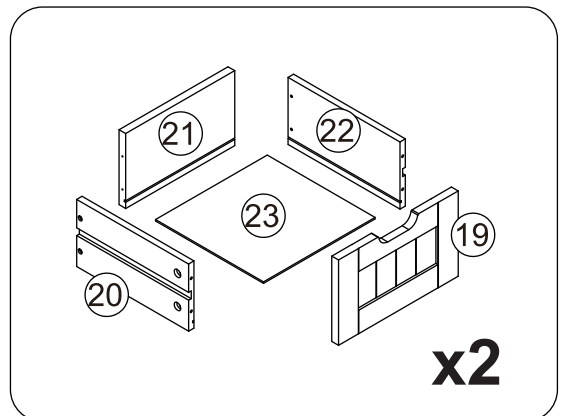
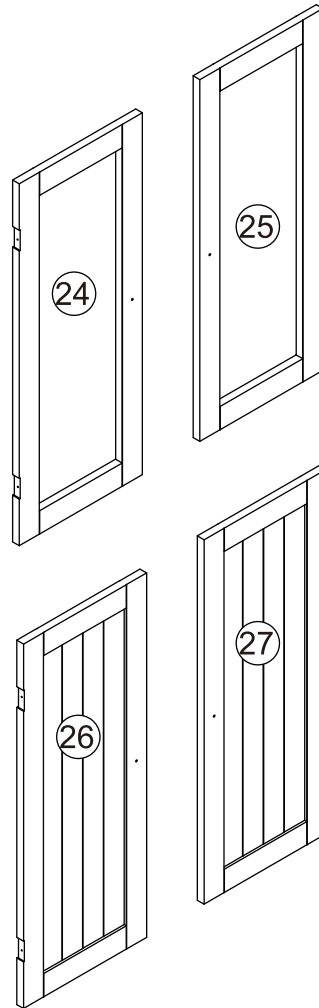
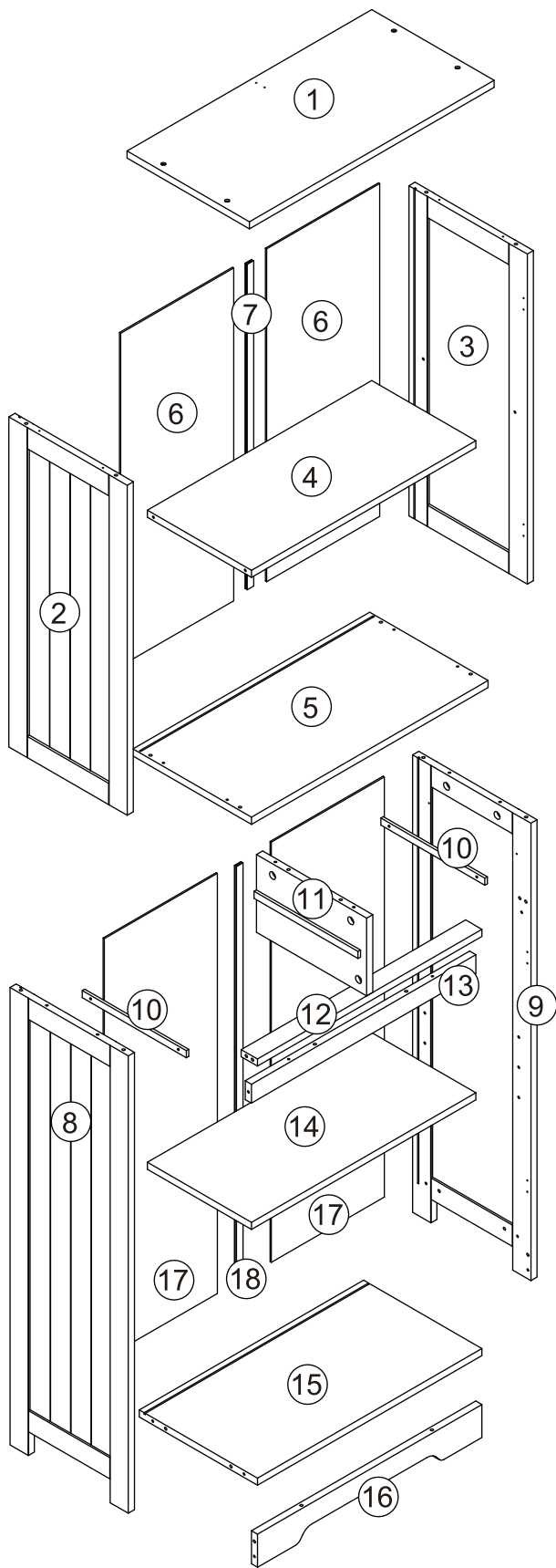
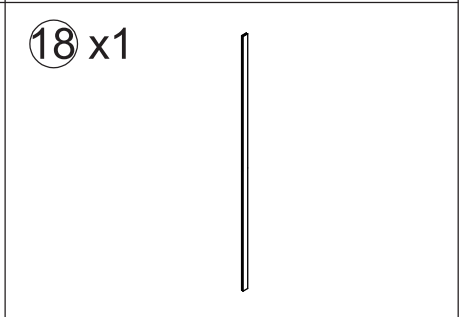
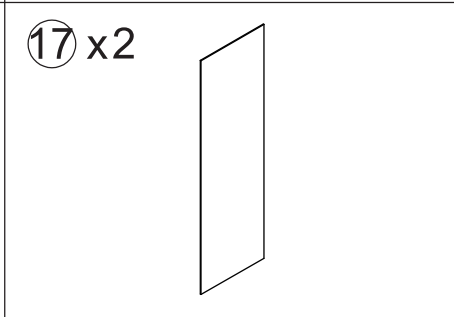
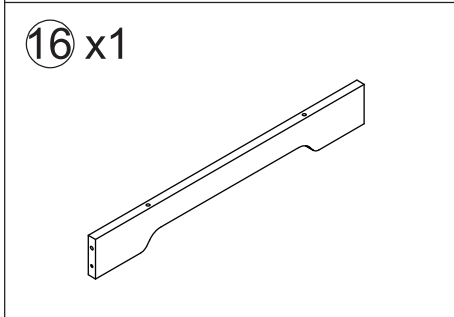
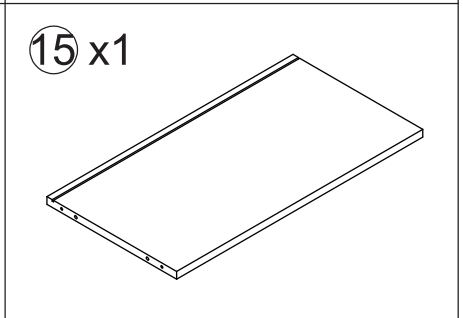
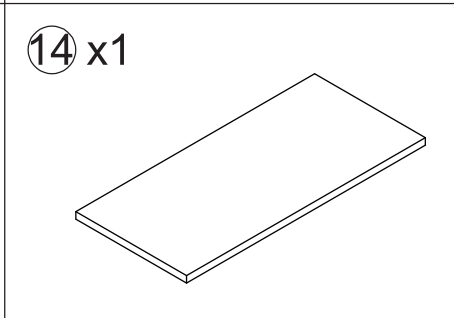
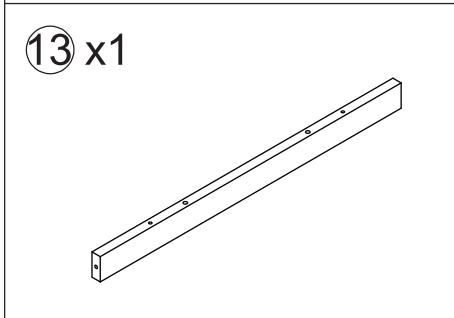
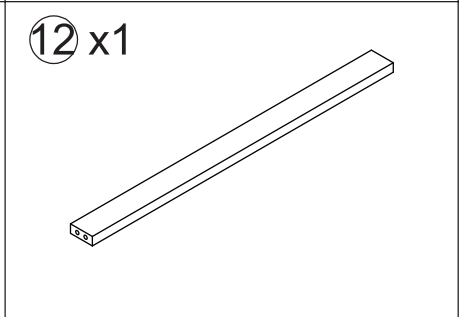
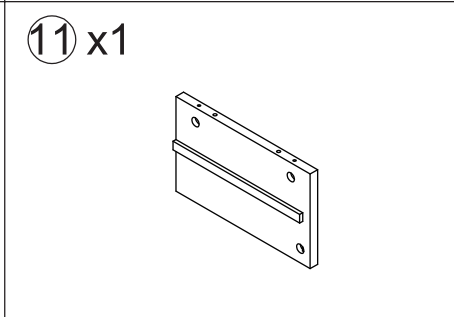
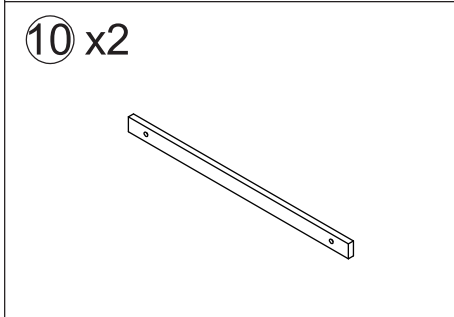
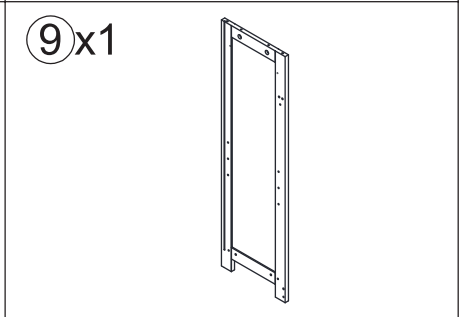
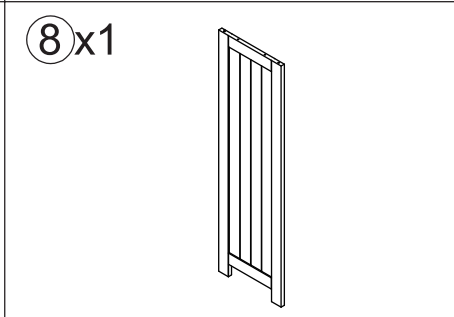
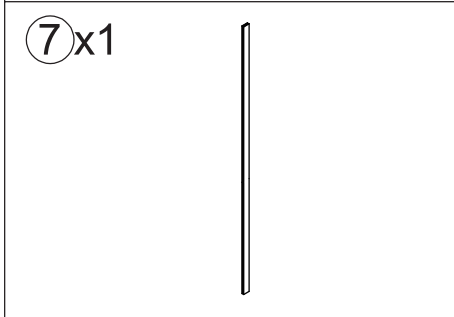
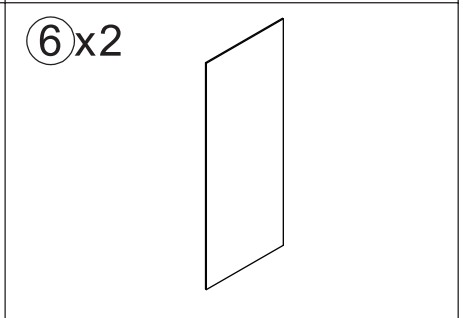
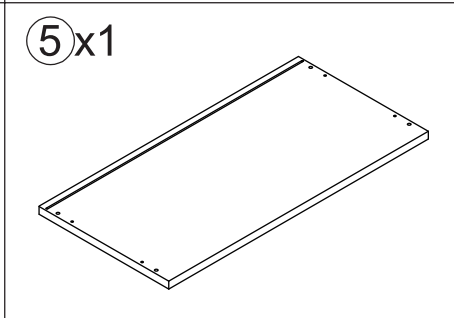
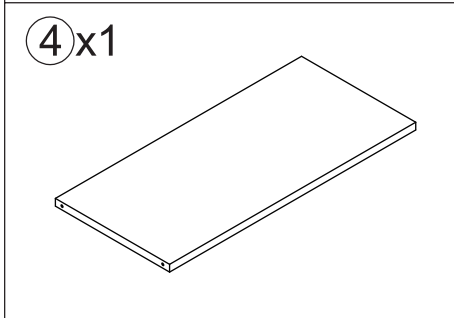
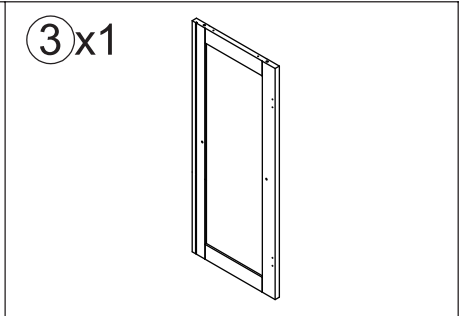
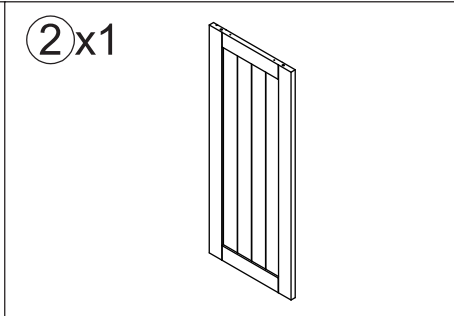
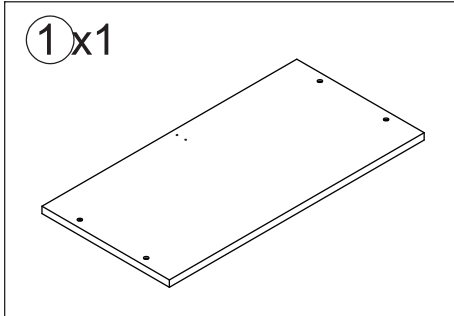
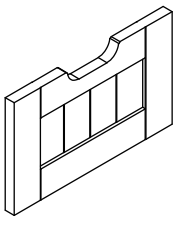
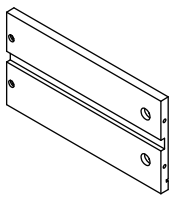
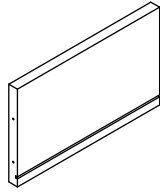
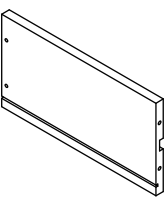
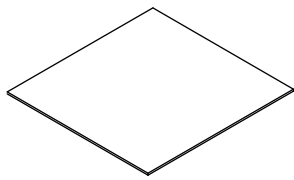
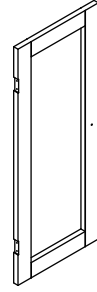
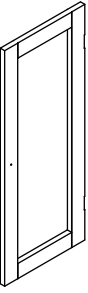
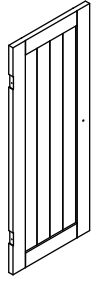
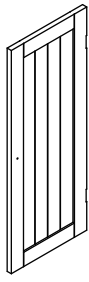


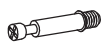




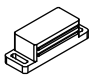


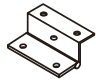






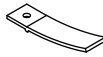




Installation & Assembly



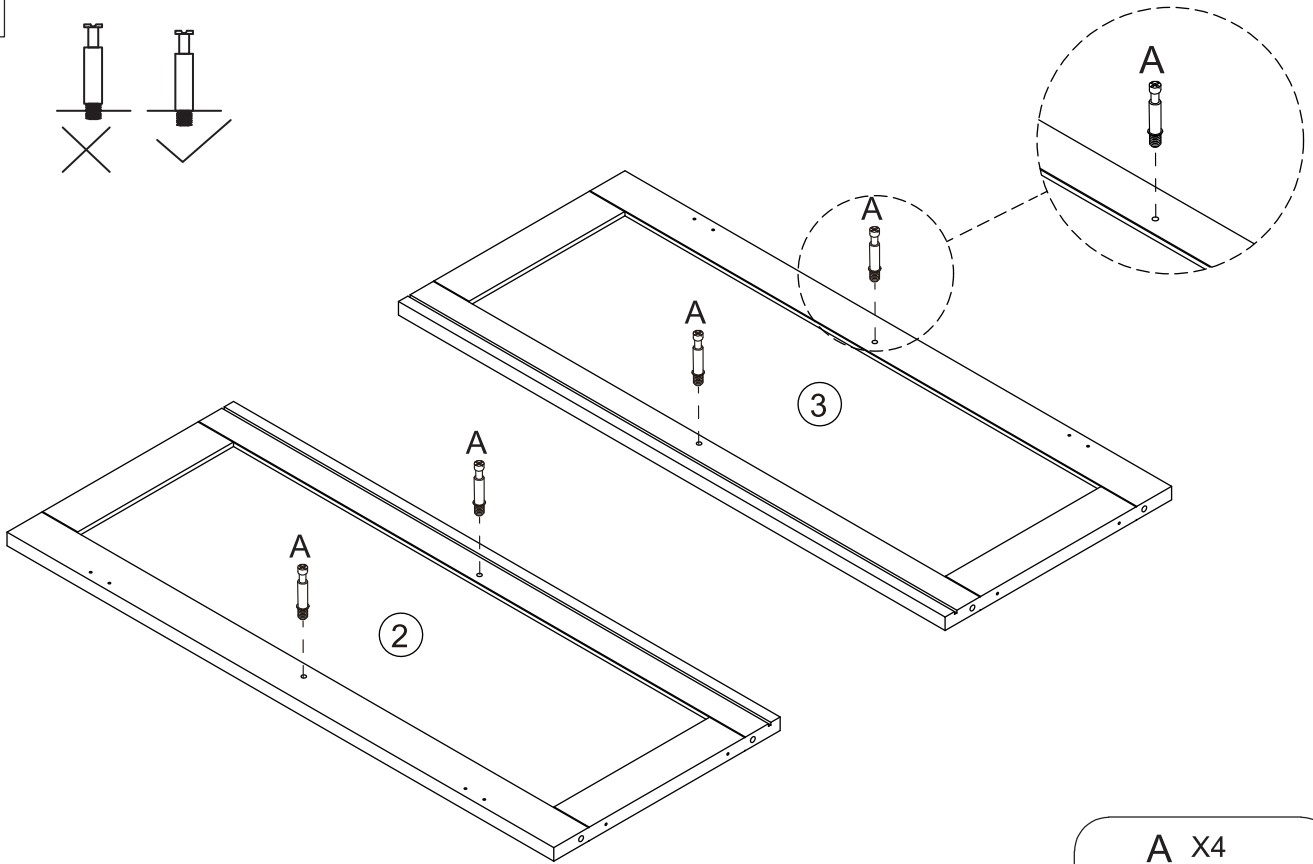
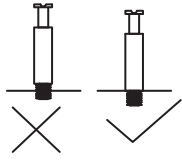





<p>19 x2</p> 	<p>20 x2</p> 	<p>21 x2</p> 
<p>22 x2</p> 	<p>23 x2</p> 	<p>24 x1</p> 
<p>25 x1</p> 	<p>26 x1</p> 	<p>27 x1</p> 

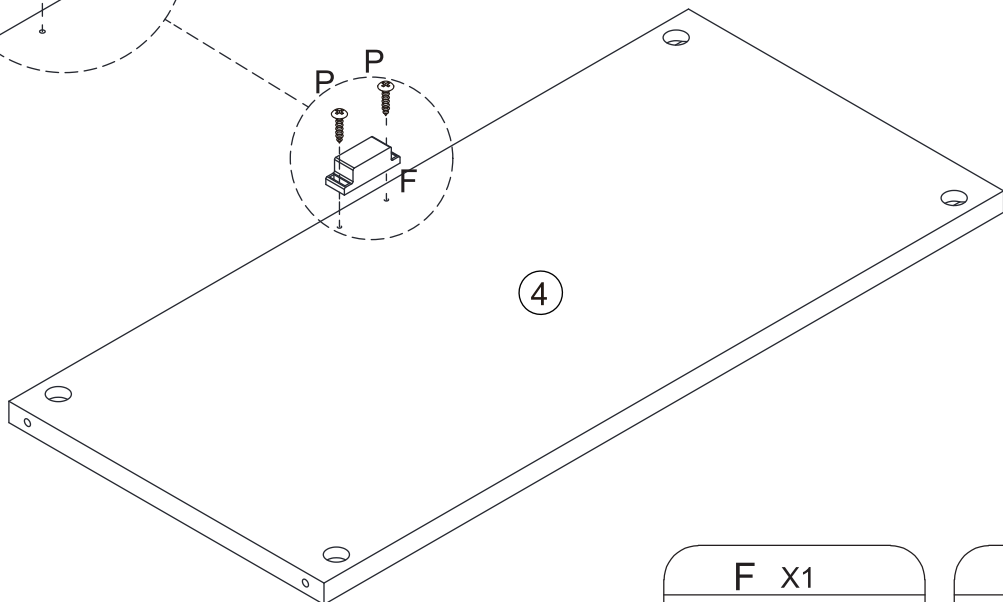
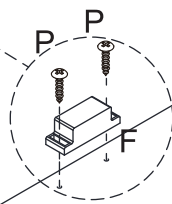
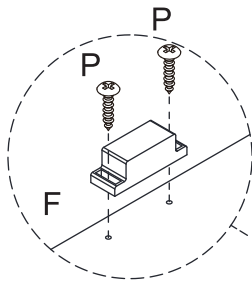
<p>A X27(+2)</p>  <p>6x35mm</p>	<p>B X27(+2)</p>  <p>15x10mm</p>	<p>C X28(+2)</p>  <p>6x30mm</p>	<p>D X19(+1)</p>  <p>4x35mm</p>	<p>E X44(+3)</p>  <p>3x12mm</p>
<p>F X2</p> 	<p>G X4</p> <p>G-1 G-2</p>  	<p>H X8</p> 	<p>I X4</p> 	<p>J X4</p> 
<p>K X1</p> 	<p>L X20(+1)</p> <p>L-1 L-2</p>  	<p>M X2</p> <p>M-1 M-2</p>  	<p>N X4</p> 	<p>O X1</p> 
<p>P X4</p> 	<p>Q X2</p> 			

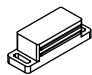
1




A X4

6x35mm

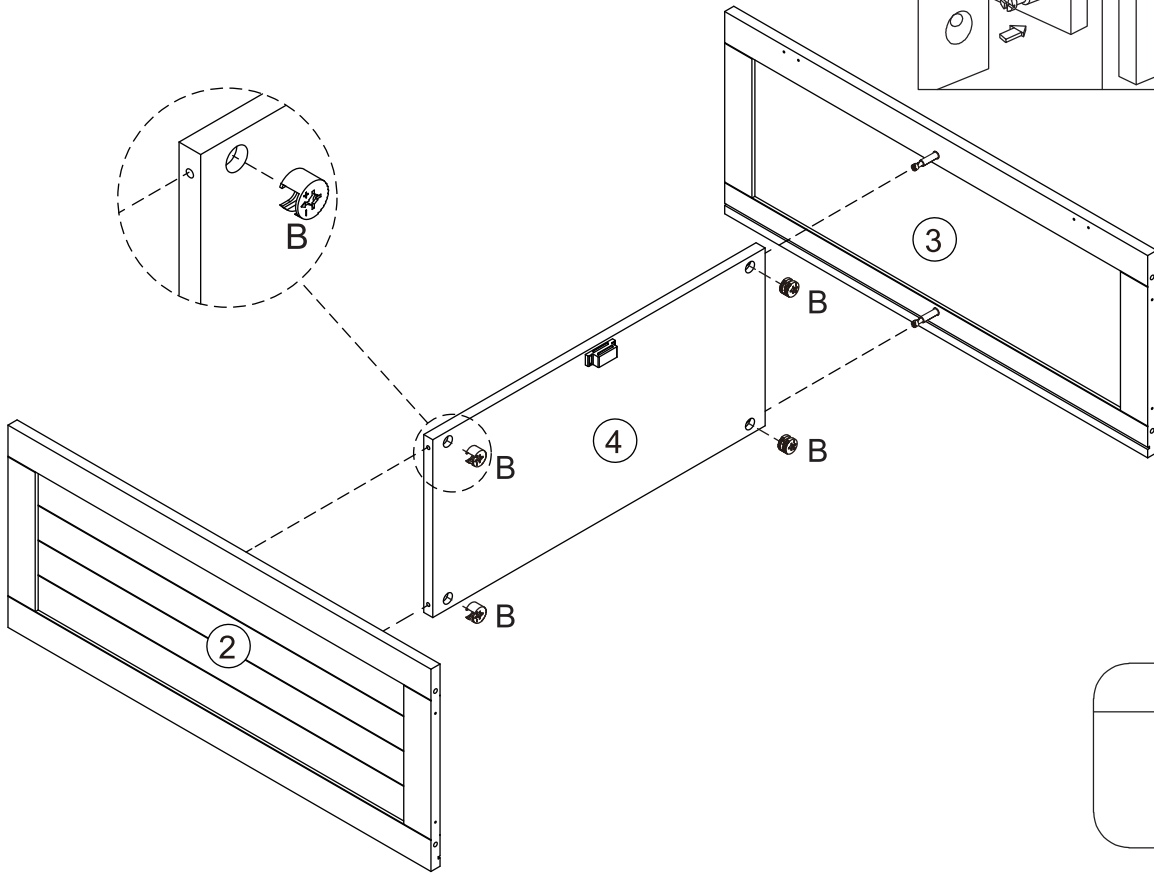
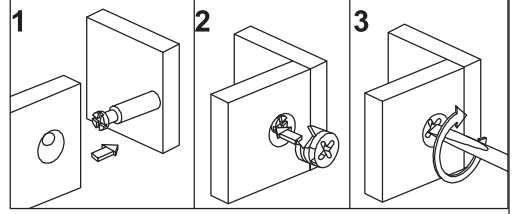
2




F X1


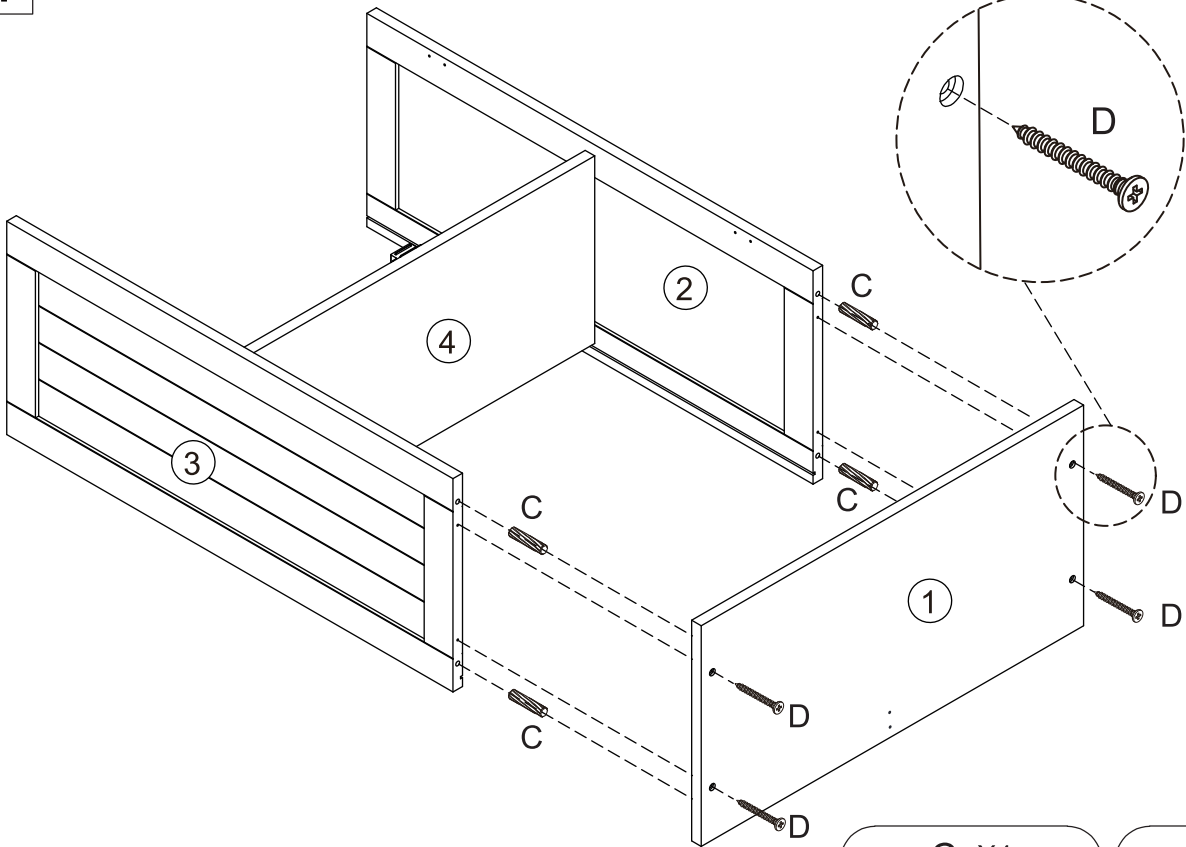
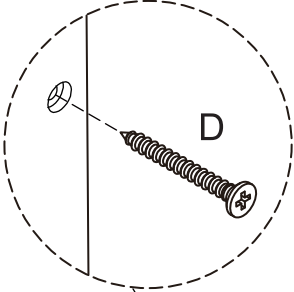
P X2



3




B X4

15x10mm

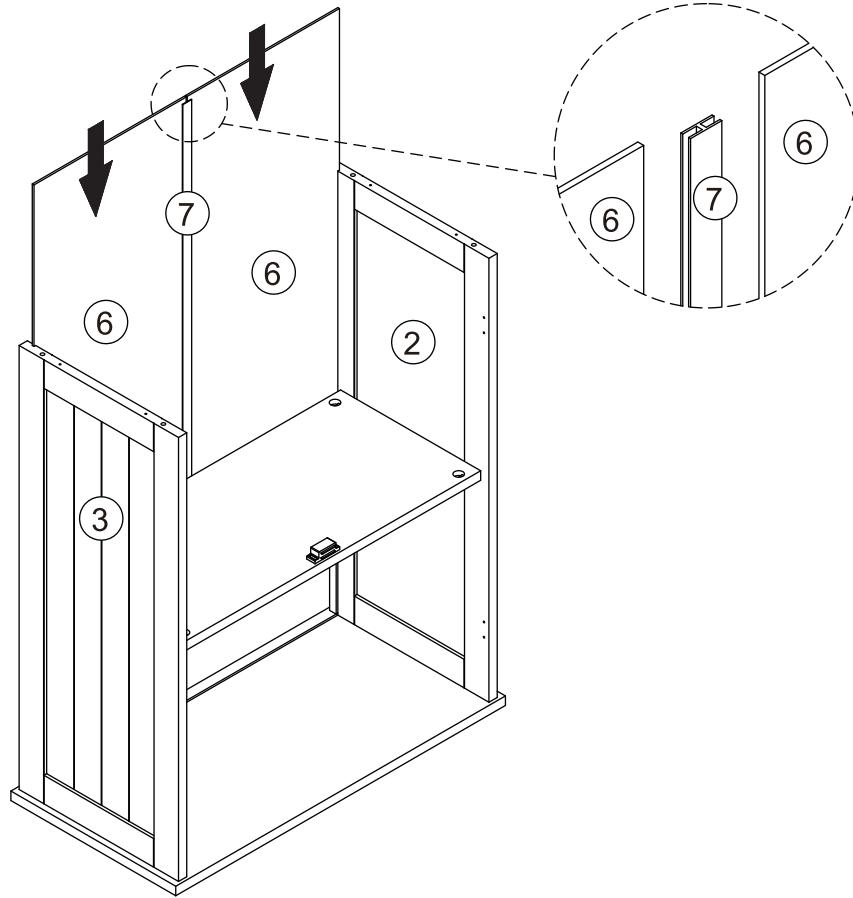
4



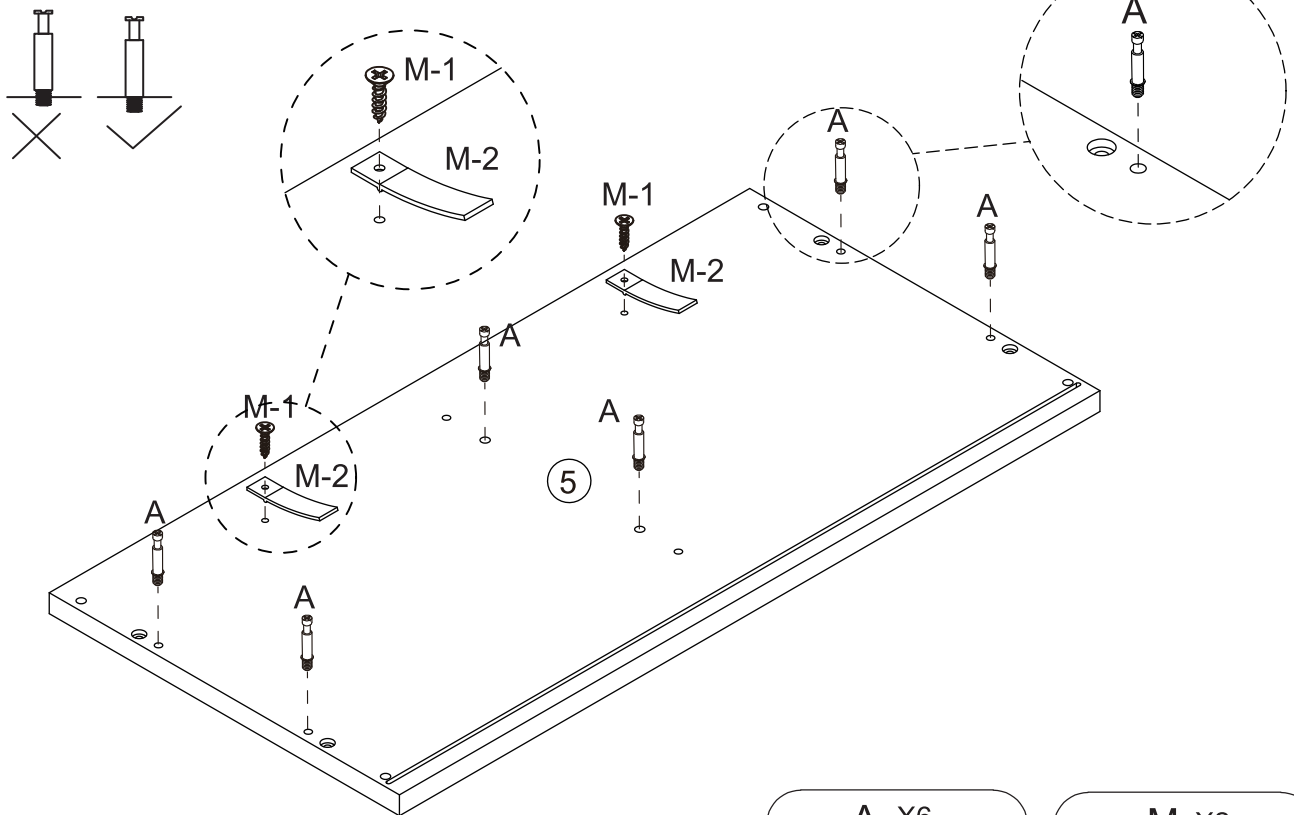
C X4

6x30mm

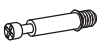
D X4

4x35mm



5



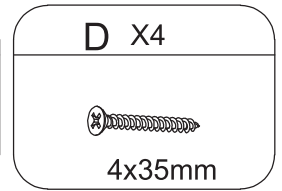
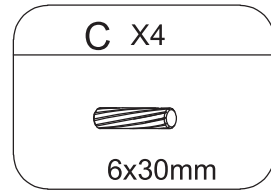
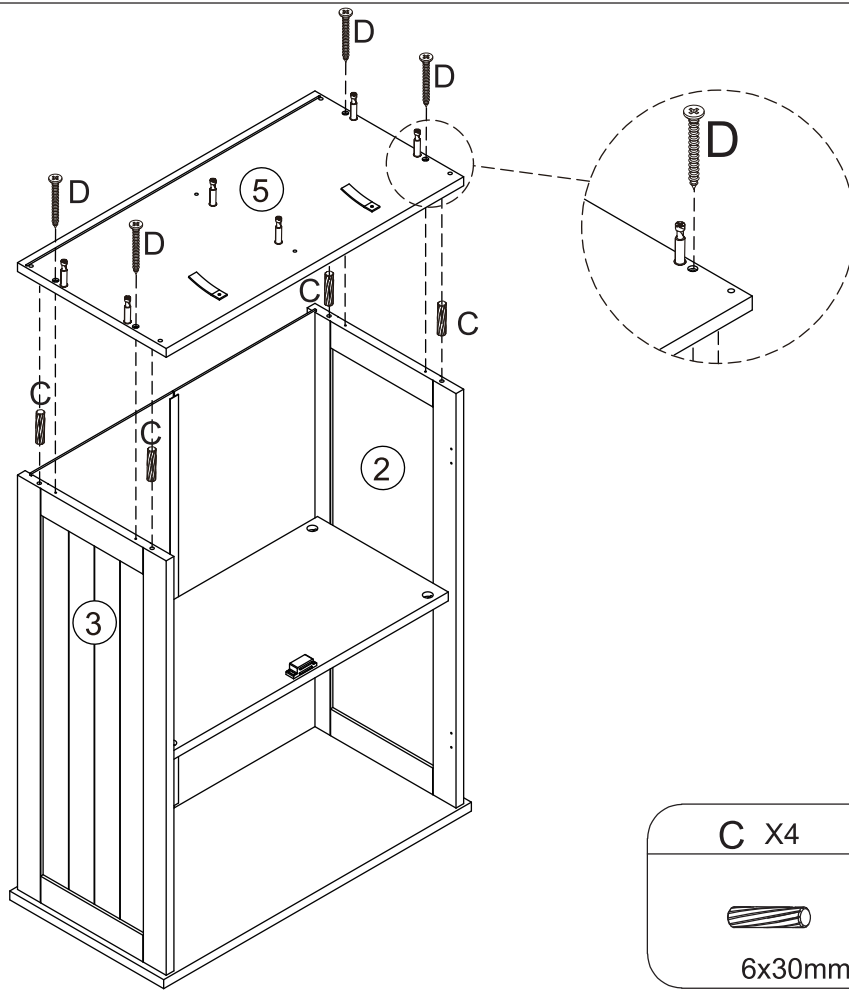
6



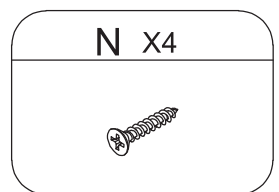
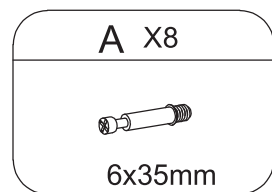
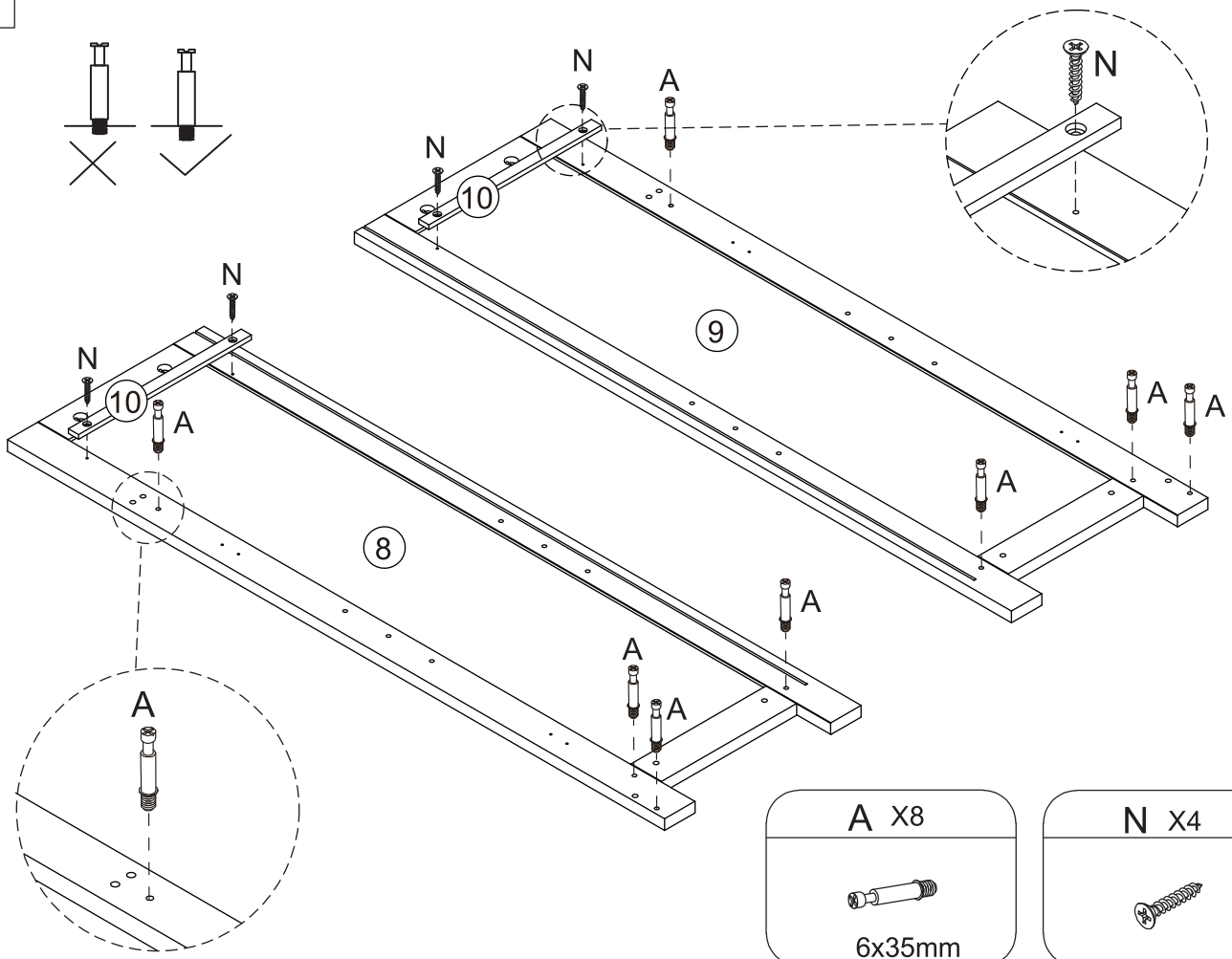
A X6

6x35mm

M X2	
M-1	M-2
	

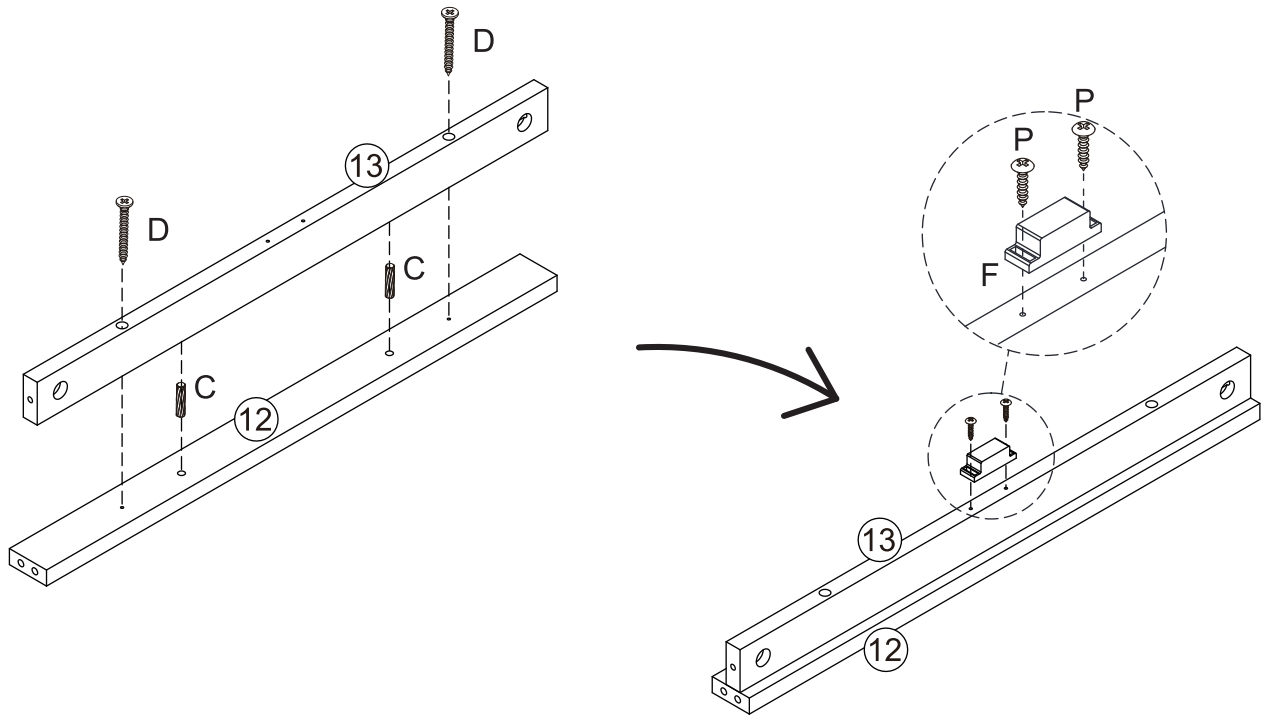
7




8



9




C X2



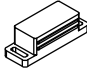
6x30mm

D X2




4x35mm

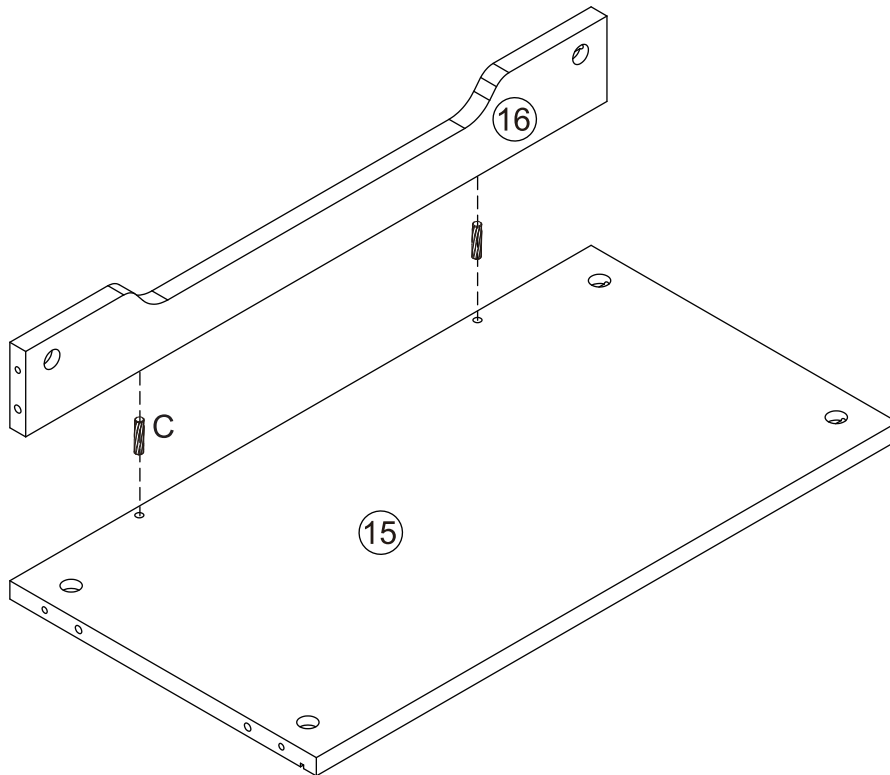
F X1




P X2



10

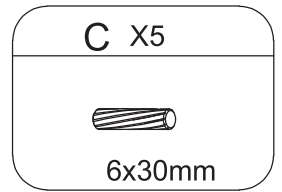
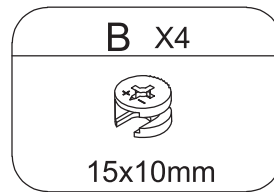
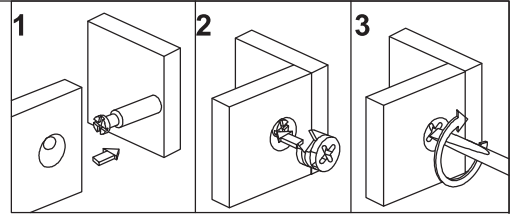
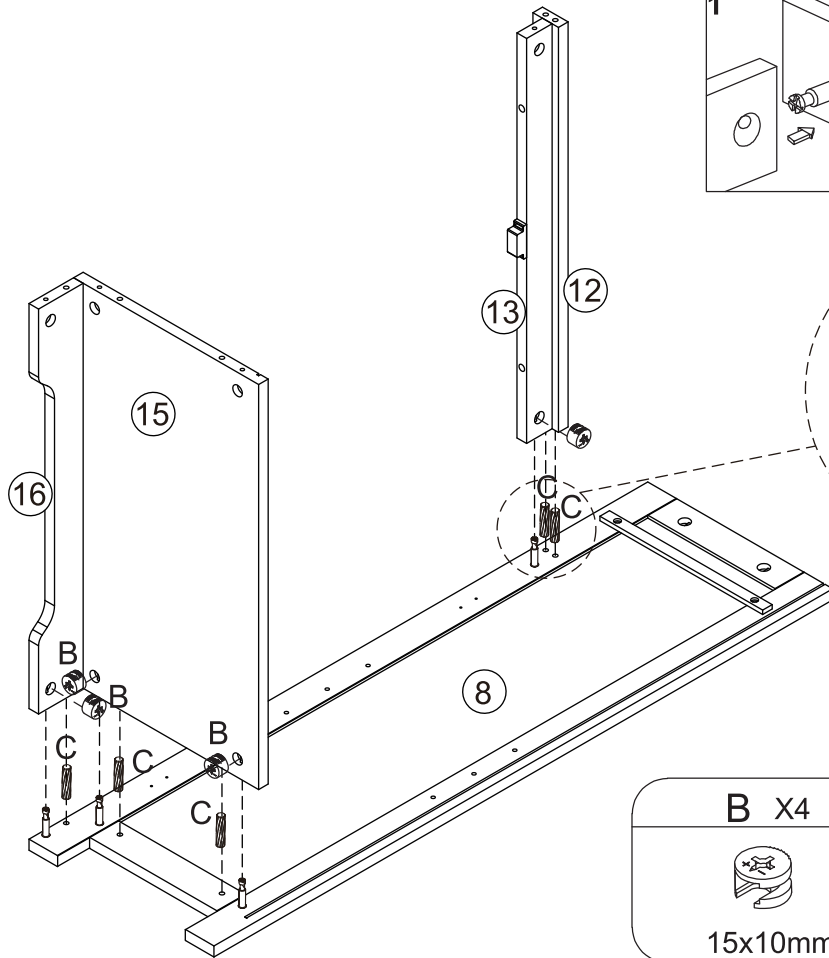


C X2

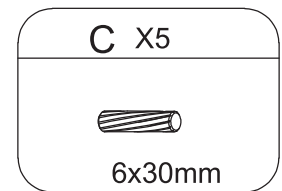
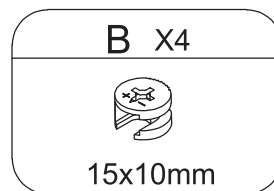
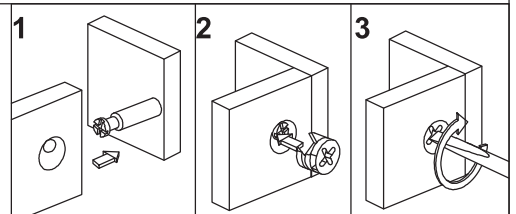
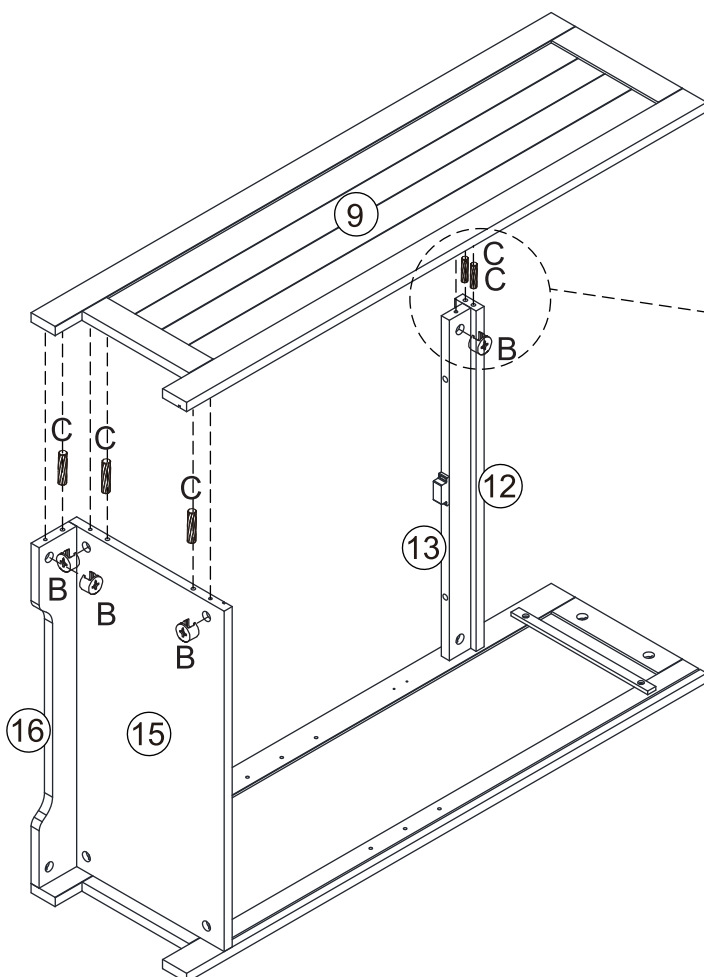


6x30mm

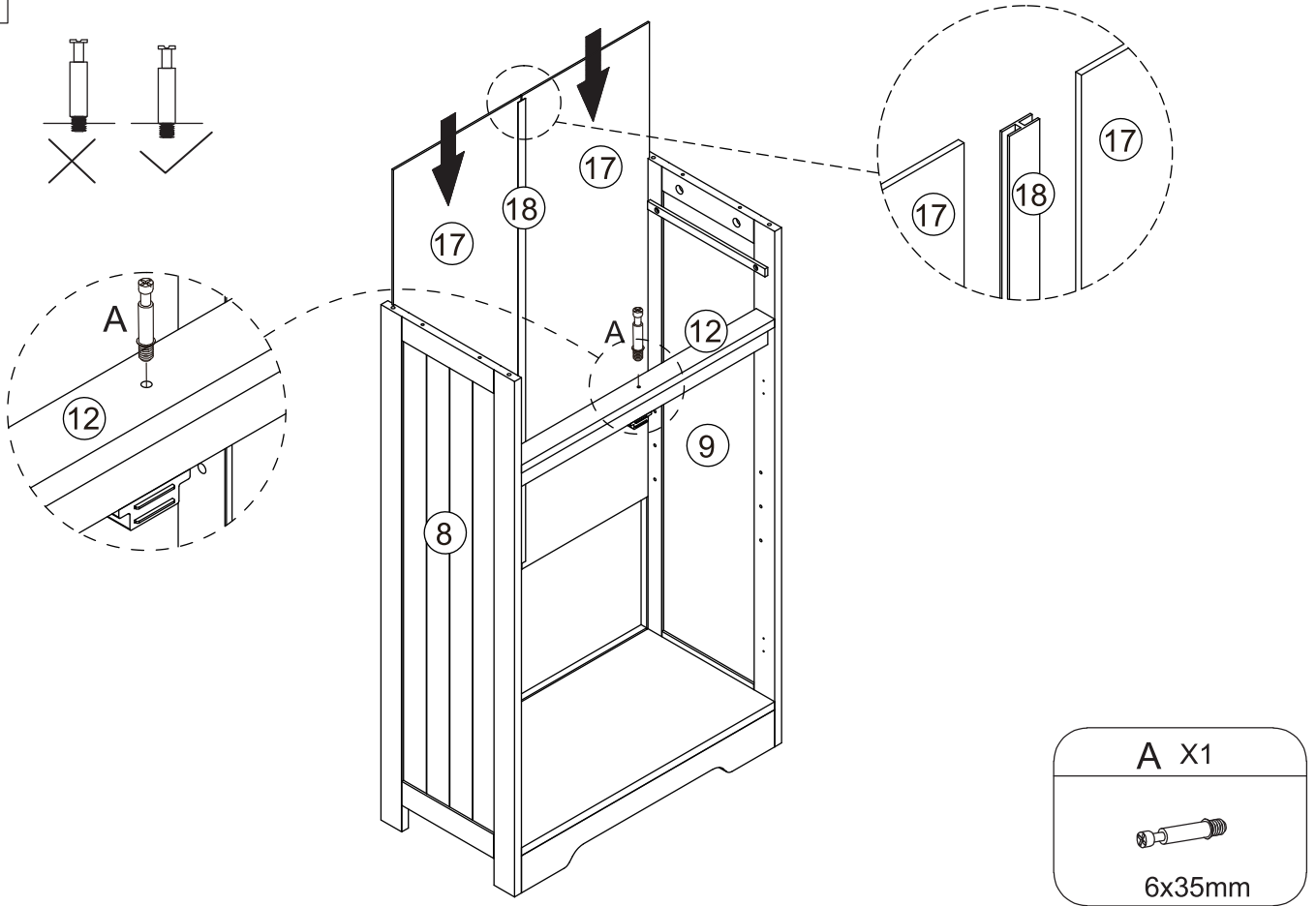
11



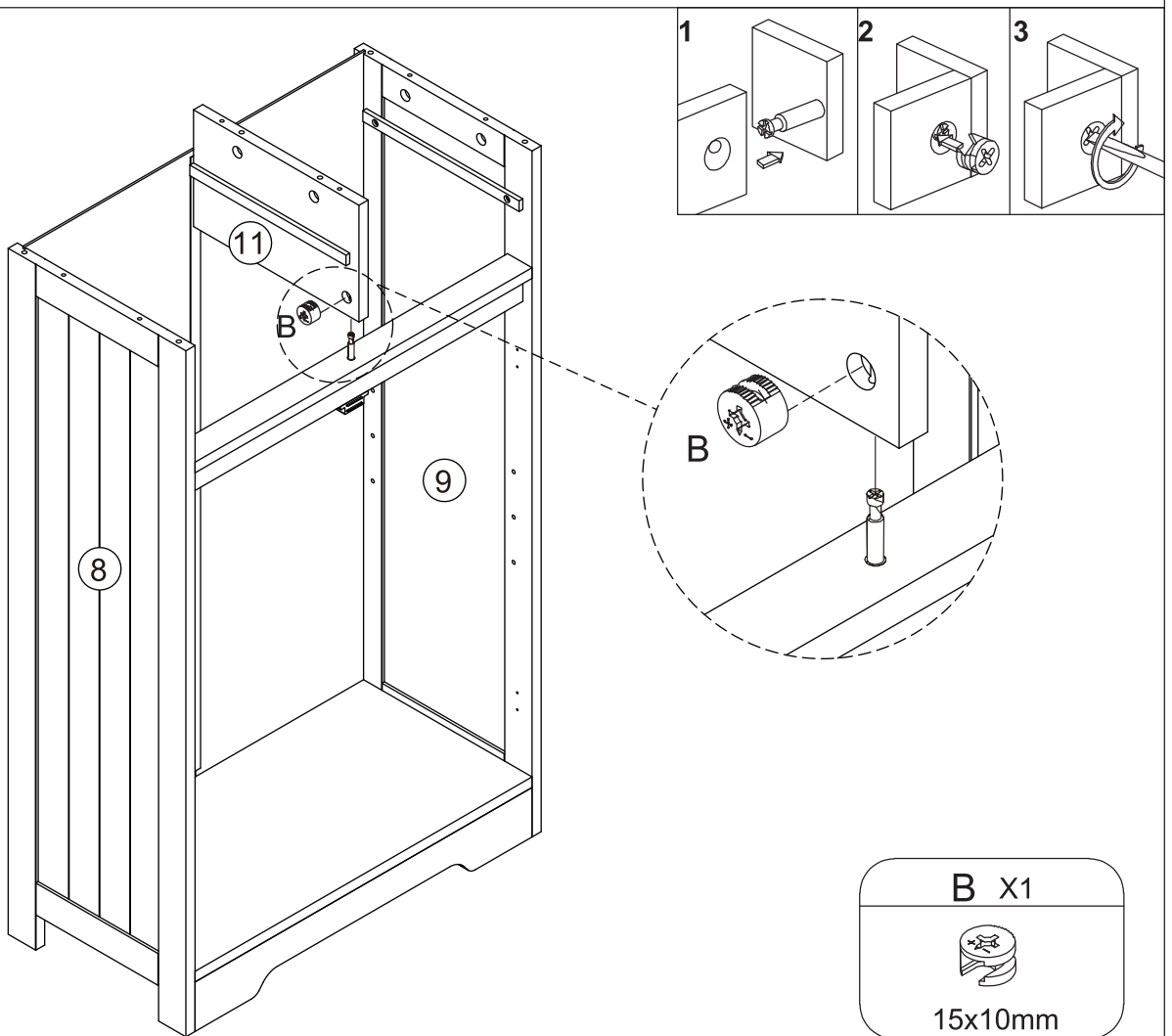
12

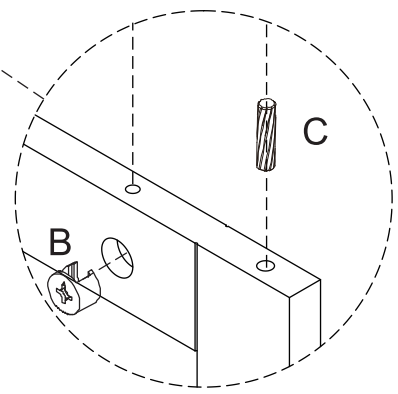
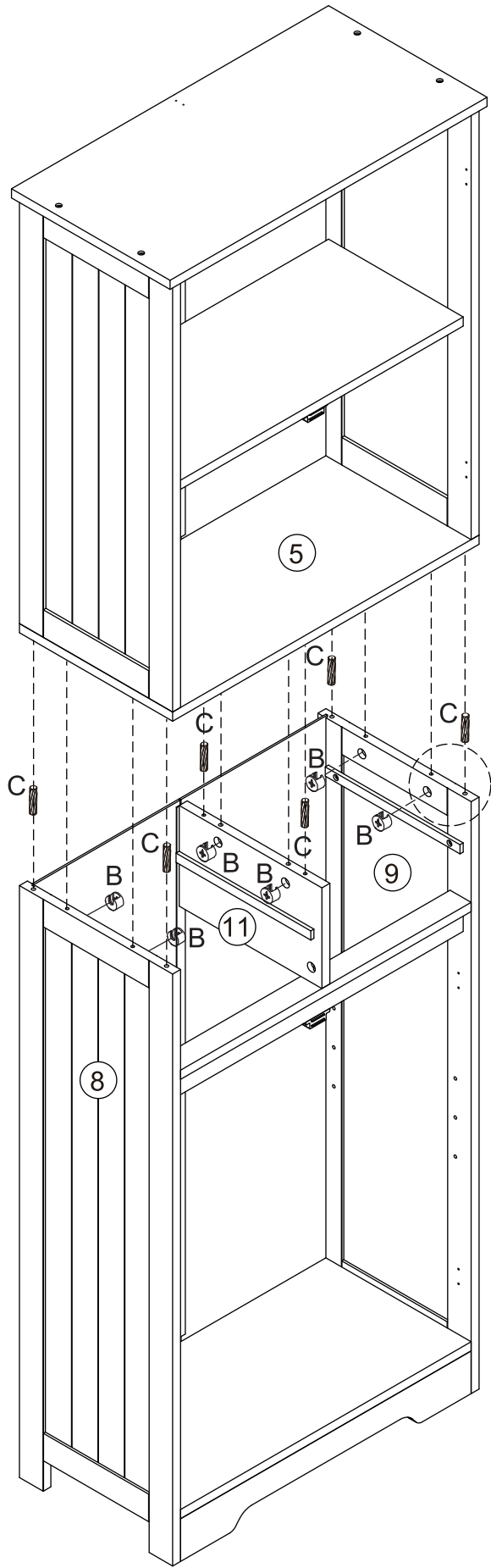
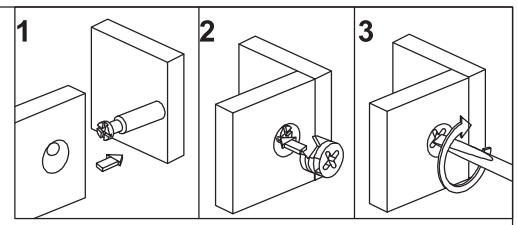


13




14






B X6

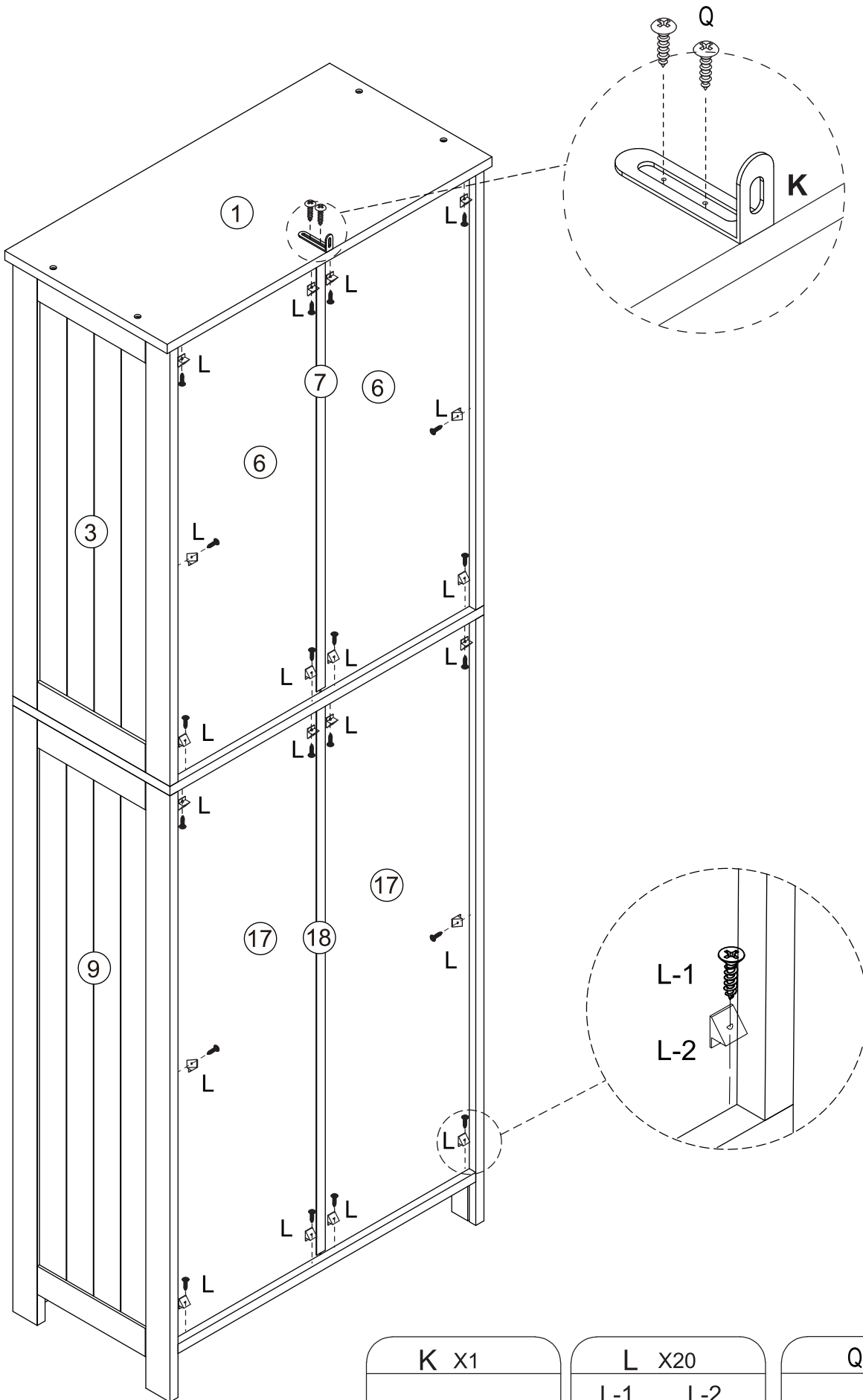



15x10mm



C X6




6x30mm

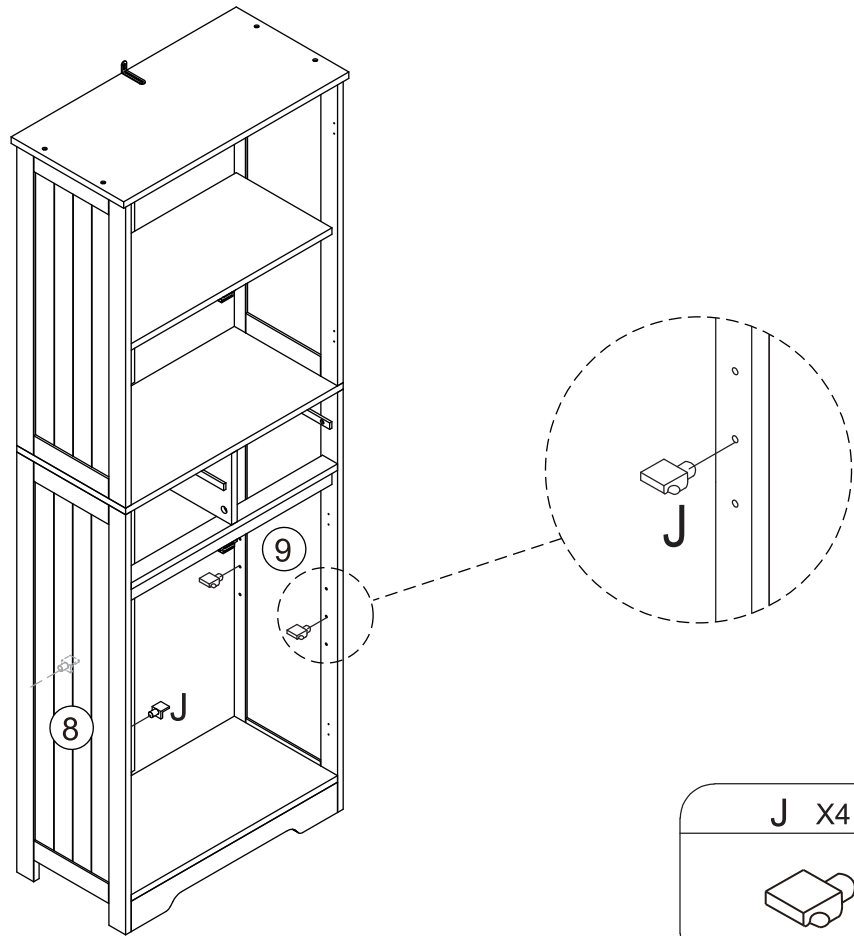


K X1


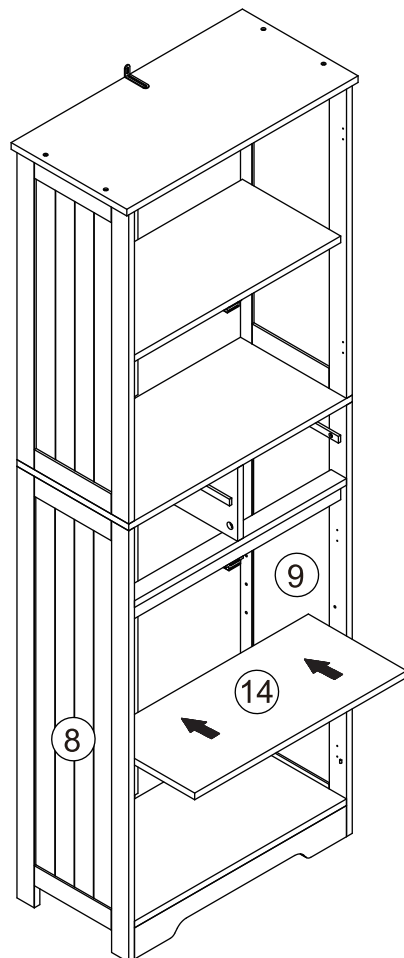
L X20
L-1 L-2
 

Q X2


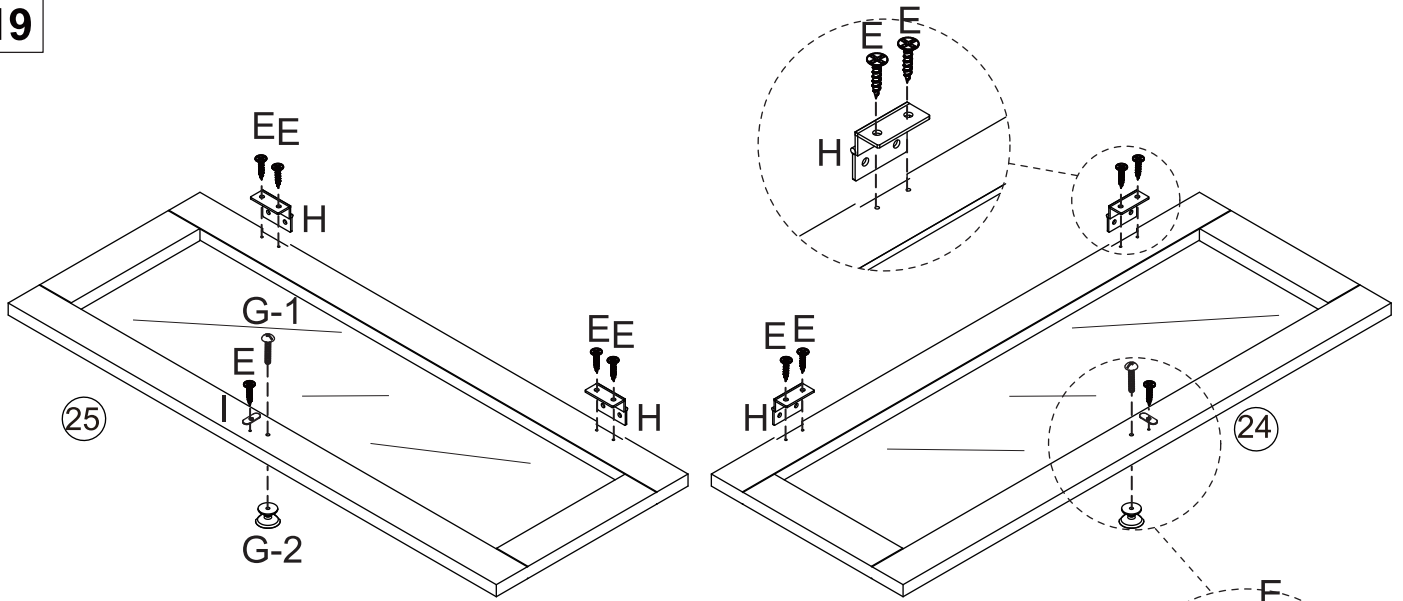
17






18

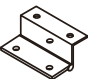



19



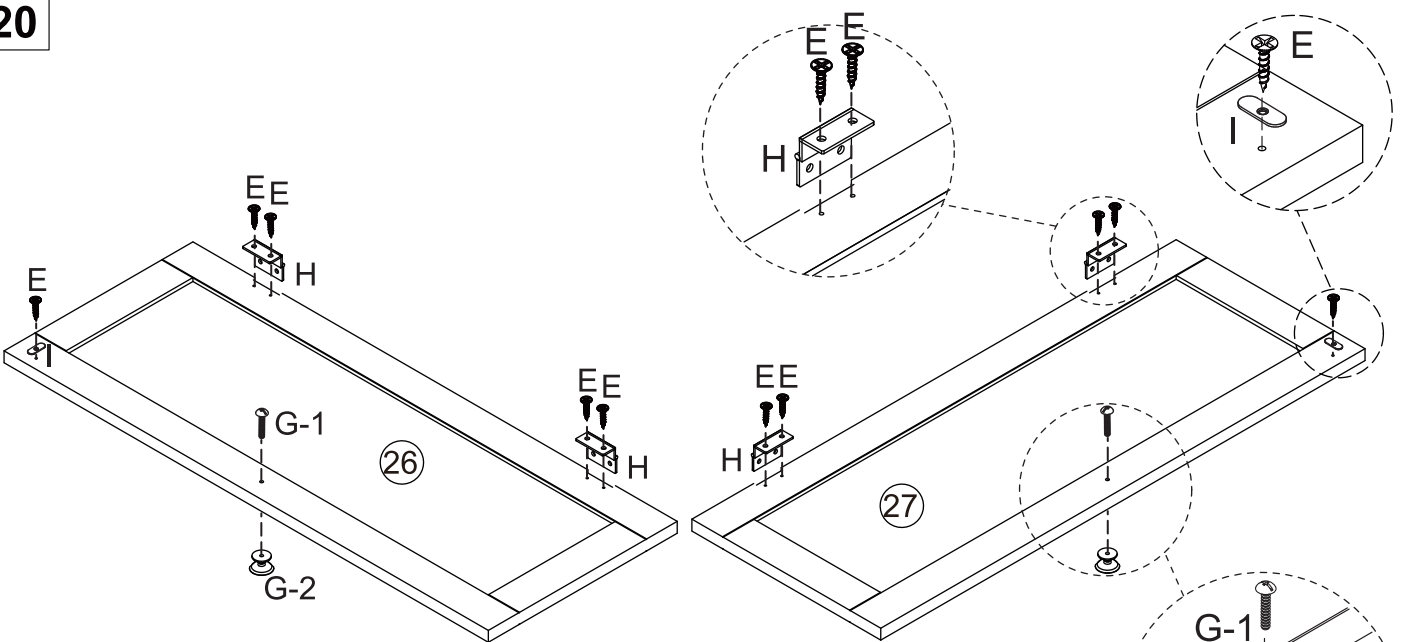
E X10

3 x12mm


G X2
G-1 
G-2 



H X4


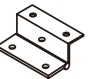
I X2



20



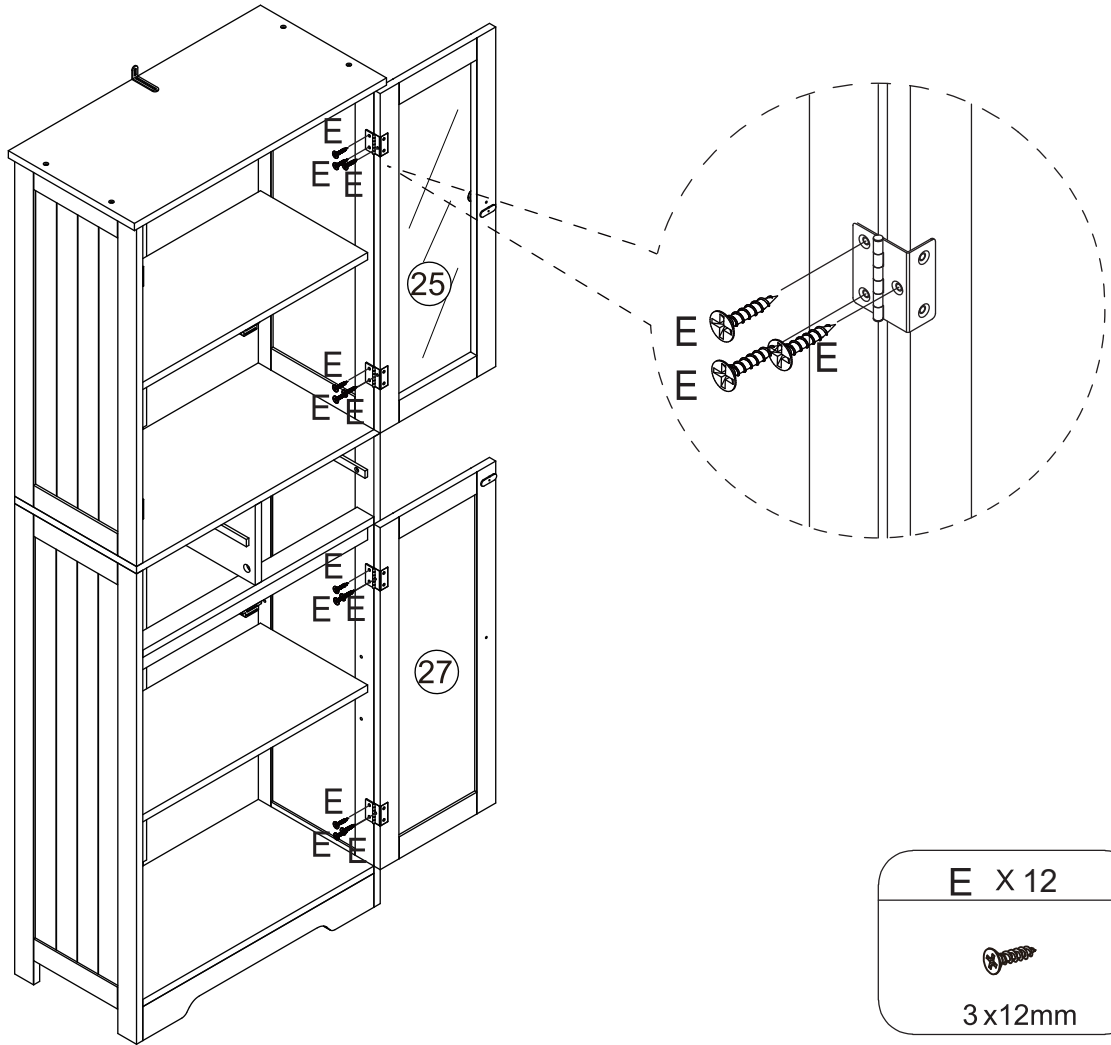
E X10

3 x12mm

G X2
G-1 
G-2 

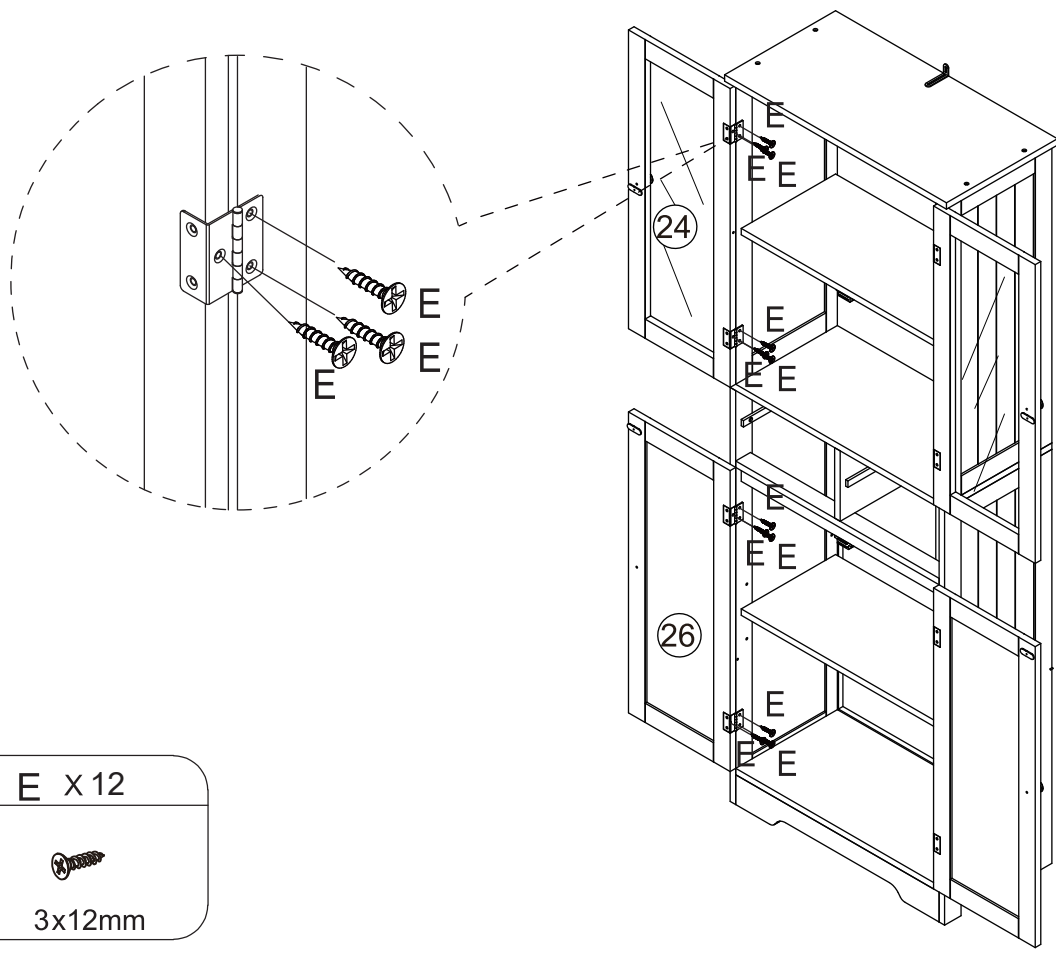
H X4


I X2


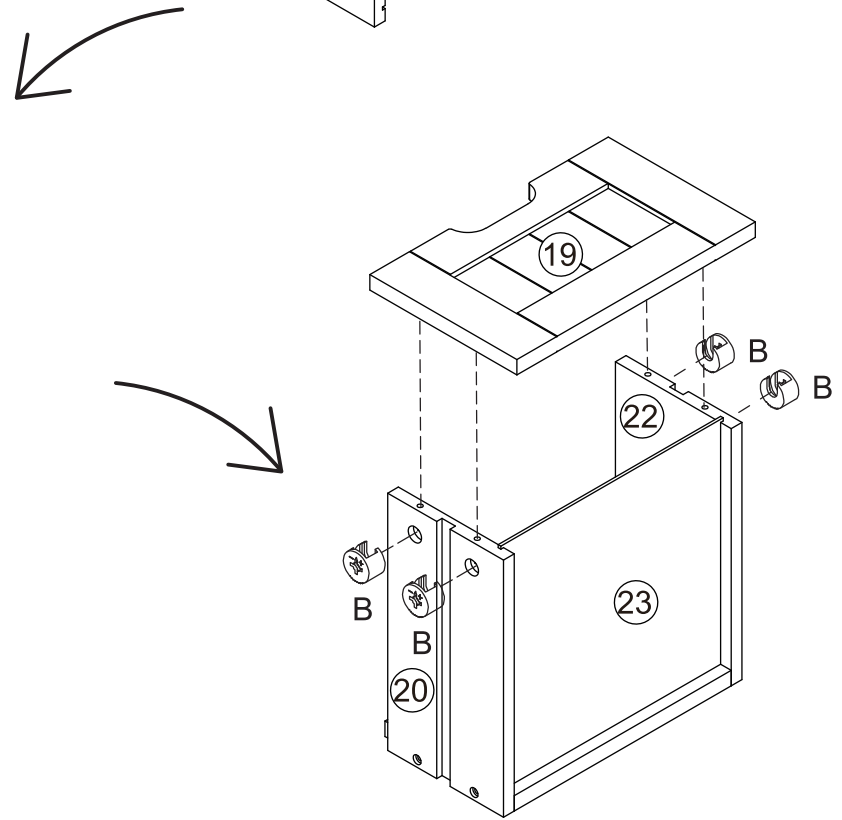
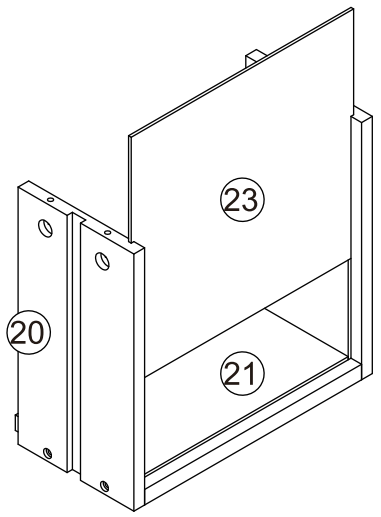
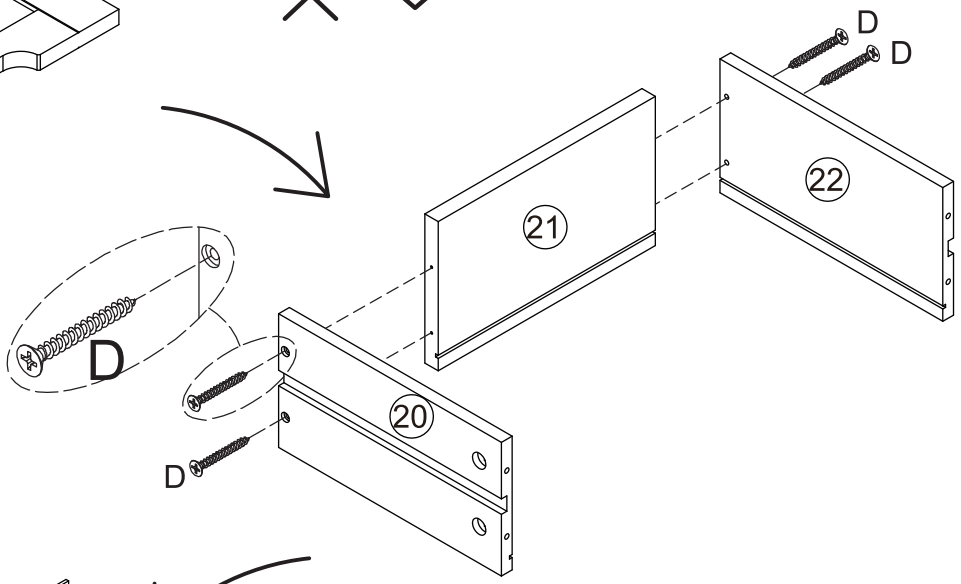
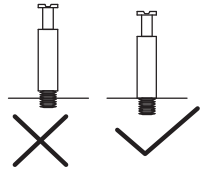
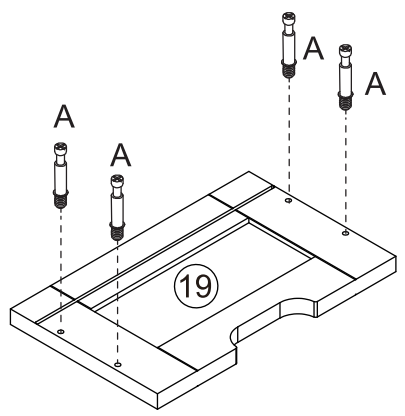
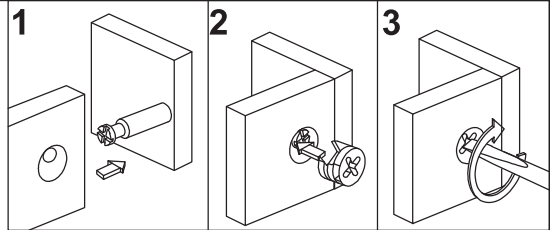
21



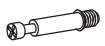
22



x2




A X8




6x35mm

B X8

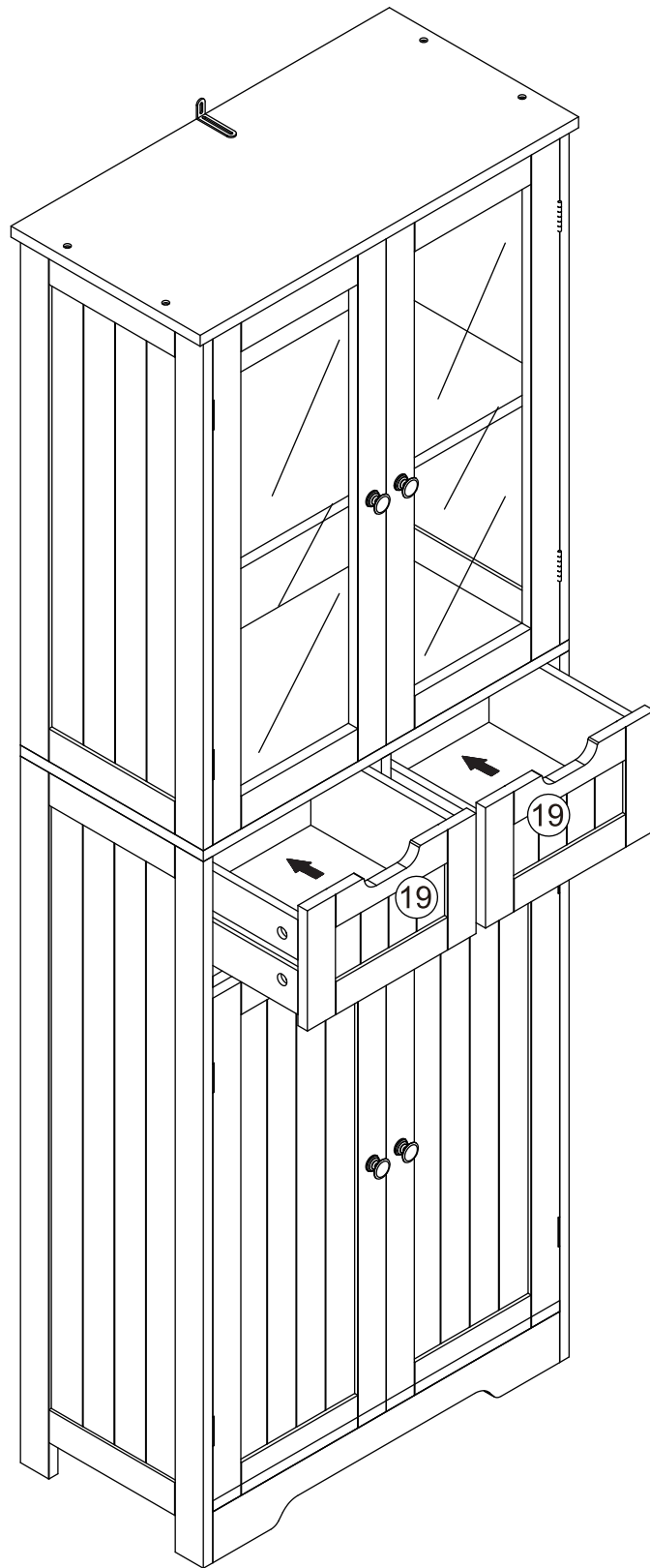


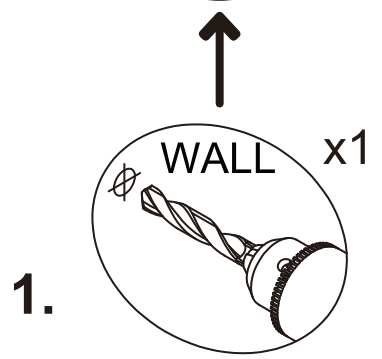
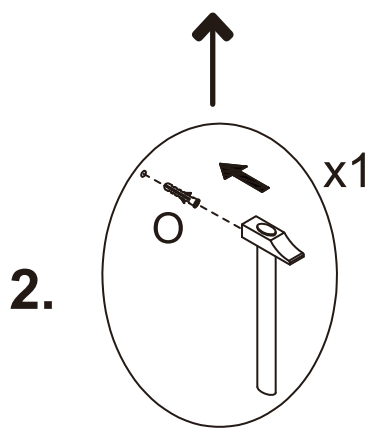
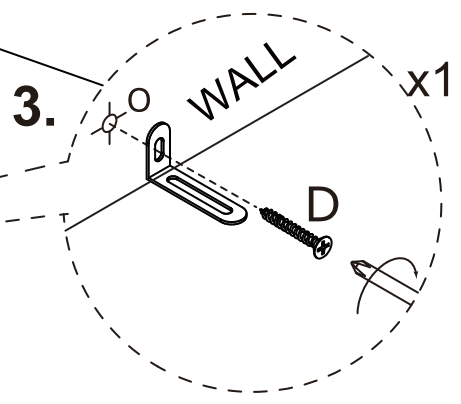
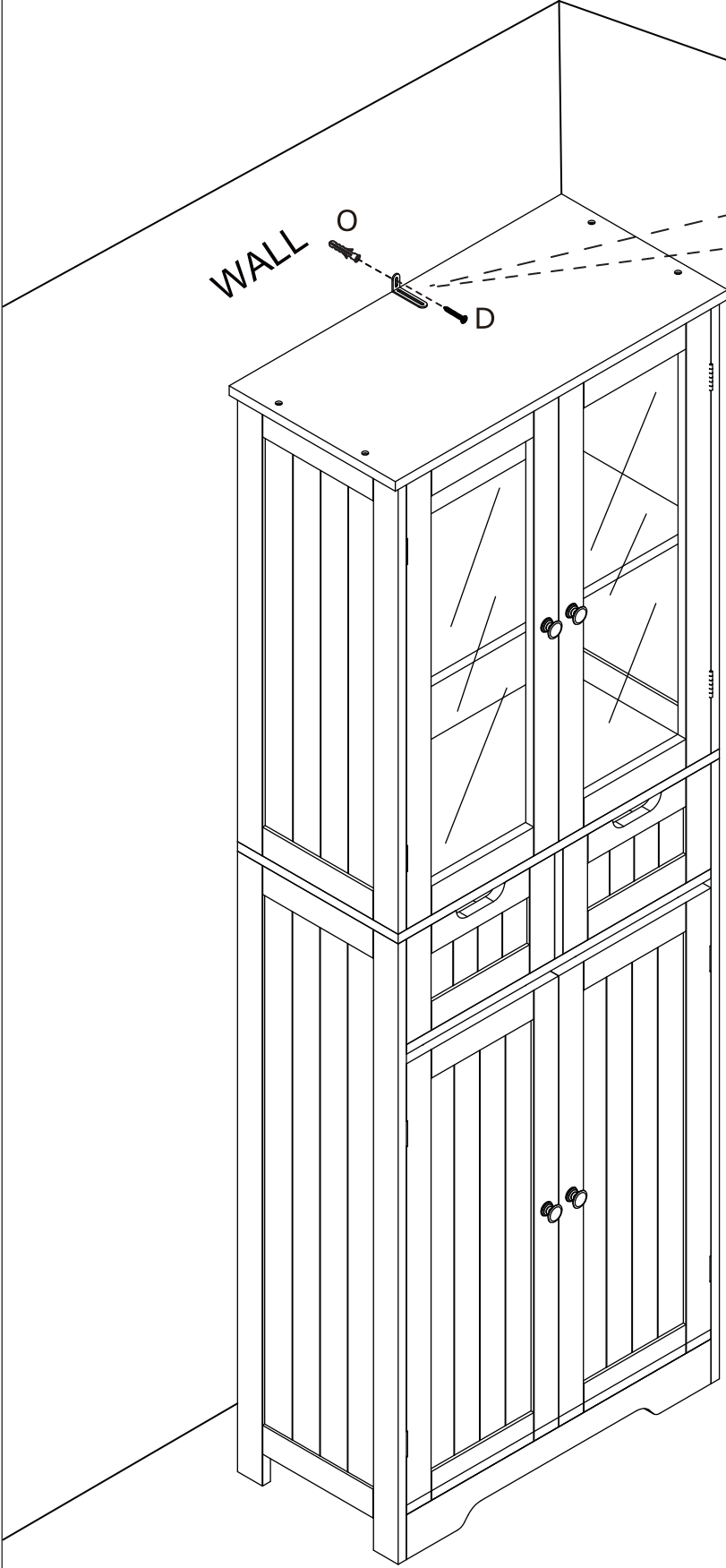
15x10mm

D X8



4x35mm





D X1

4x35mm

O X1