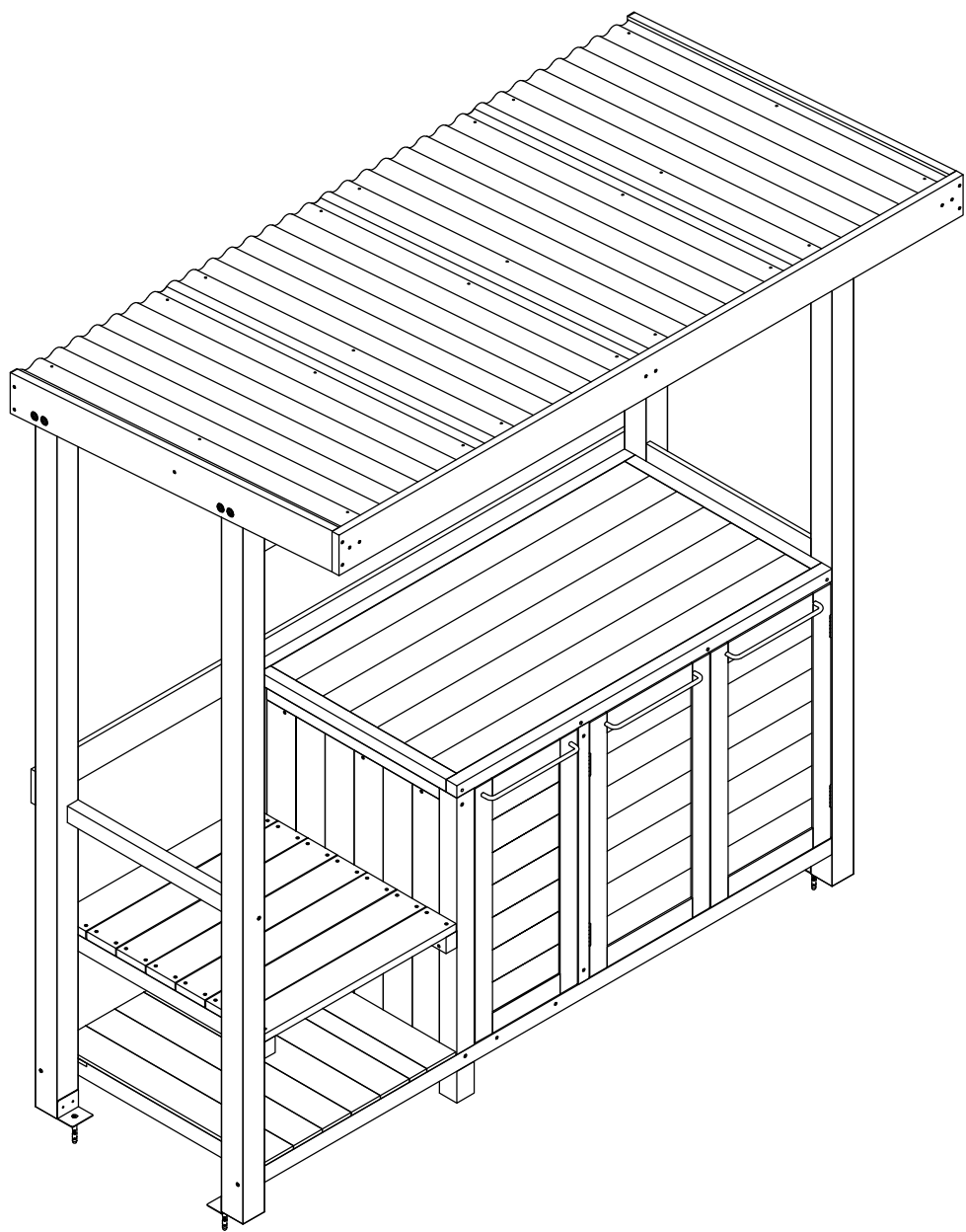
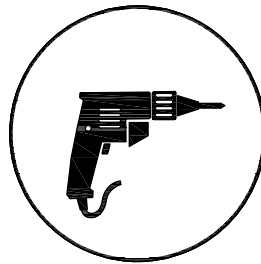
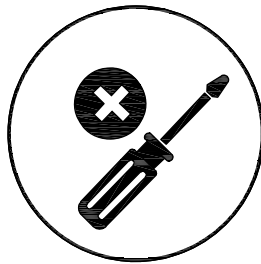
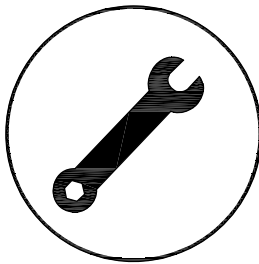
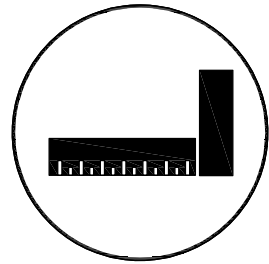
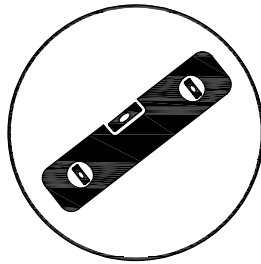
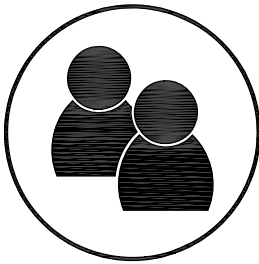
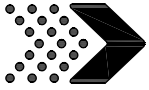


INSTALLATION

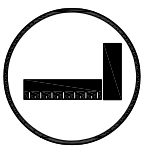
Product Manual

Version: 510056-00-26A-HB

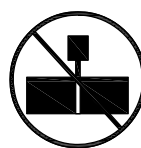




Icons and their uses you will see throughout this manual



You will need to make sure that your assembly is square before tightening your bolts.



This icon warns you to not over tighten your bolts. This is to prevent structural damage and also splintering your wood.



For proper assembly you will need to ensure that your structure is level before proceeding to the next step.



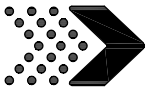
This icon will show you what drill attachments are needed. For this example you will need a Phillips head attachment .



Some steps in the assembly process will require an extra set of hands. Make sure you have a helper available.

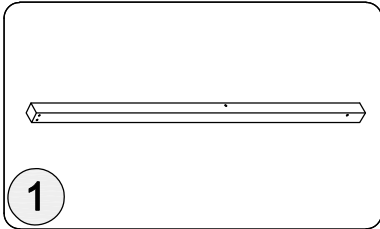


This size of the open-end wrench on these icons should correspond to the size of the nut.

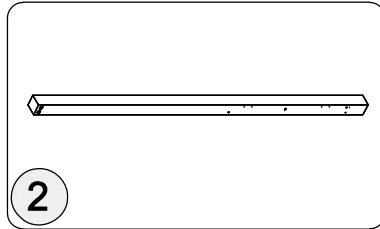


Wood Components (Not to Scale)

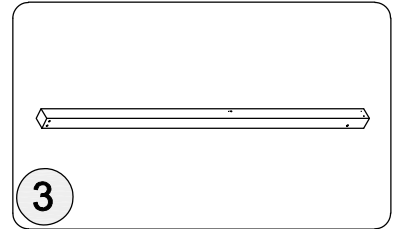
BOX 1/3



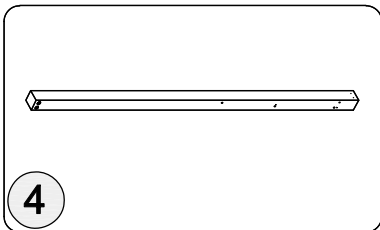
1
Front left pillar
Qty: 1



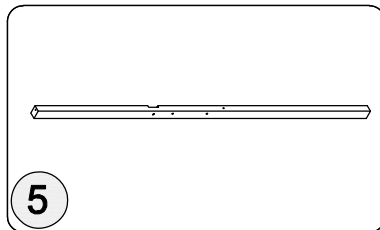
2
Front right pillar
Qty: 1



3
Rear left pillar
Qty: 1



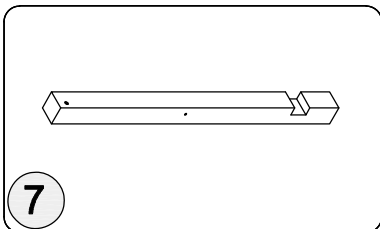
4
Rear right pillar
Qty: 1



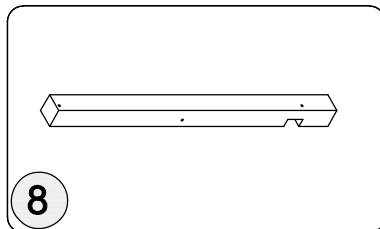
5
front foot strip
Qty: 1



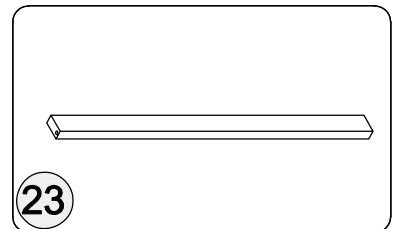
6
rear foot strap
Qty: 1



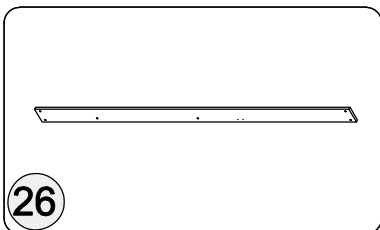
7
Left front pillar
Qty: 1



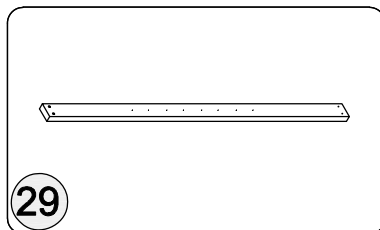
8
Left rear pillar
Qty: 1



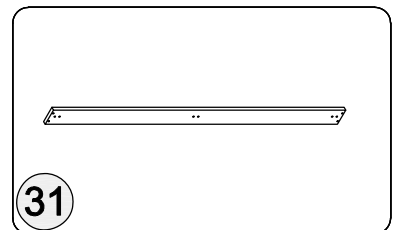
23
support strip
Qty: 2



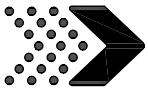
26
Next article
Qty: 1



29
Rear vertical plate
Qty: 1

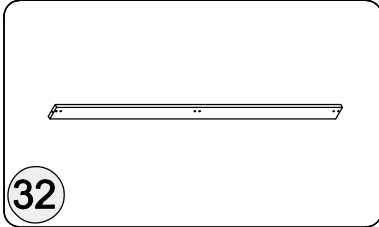


31
Top front panel
Qty: 1



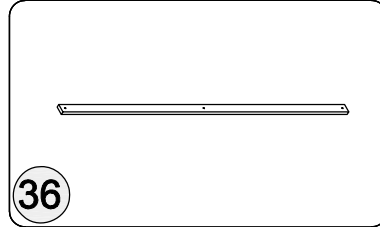
Wood Components (Not to Scale)

BOX 1/3



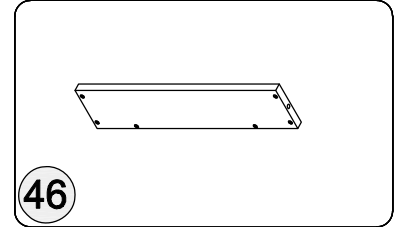
32

Top and back panels
Qty: 1



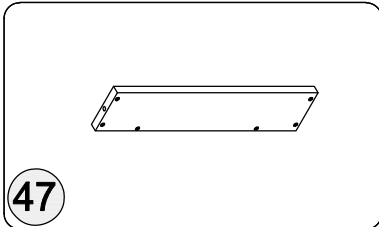
36

Top support strip
Qty: 3



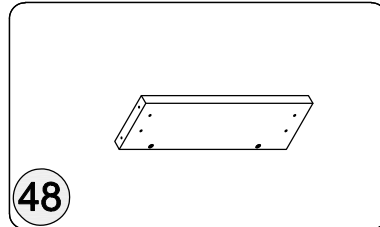
46

Left side extraction
Qty: 1



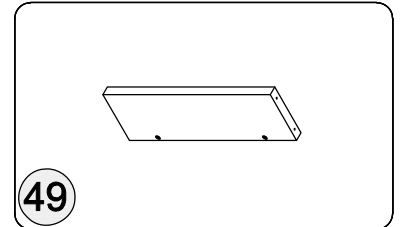
47

right side extraction
Qty: 1



48

Draw the front board
Qty: 1

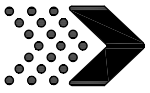


49

Pull back plate
Qty: 1

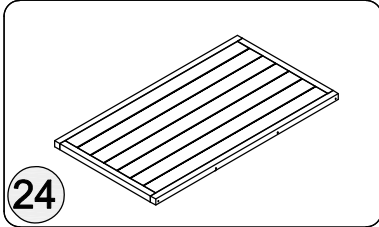


Manual



Wood Components (Not to Scale)

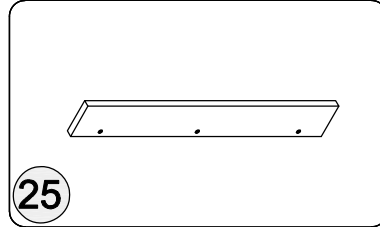
BOX 2/3



24

panel

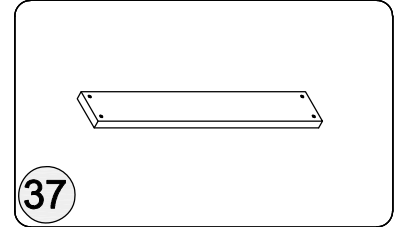
Qty: 1



25

Right gear bar

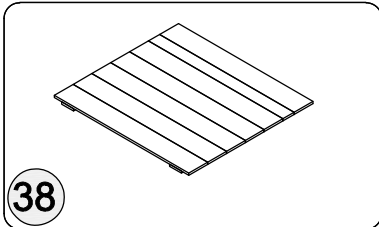
Qty: 1



37

Laminate strip

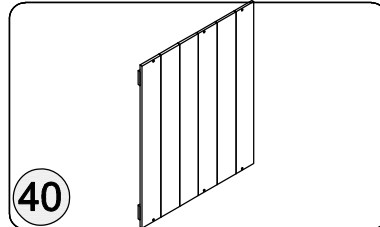
Qty: 7



38

Left floor panel

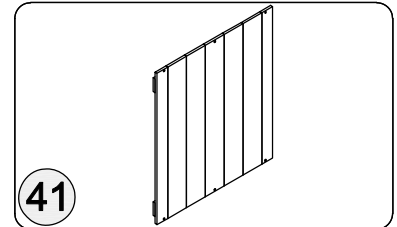
Qty: 1



40

Left core board

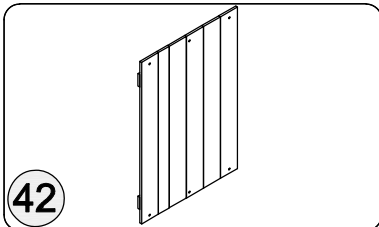
Qty: 1



41

Mid core board

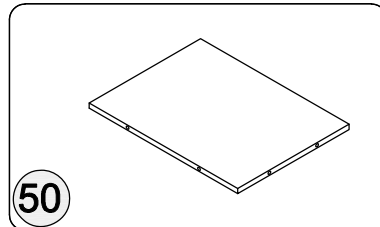
Qty: 1



42

Right core board

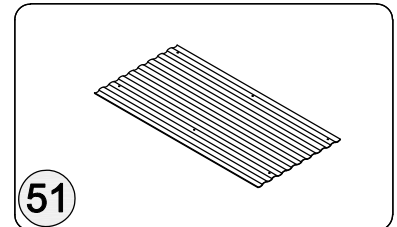
Qty: 1



50

Pull the bottom plate

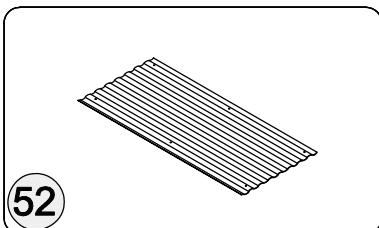
Qty: 1



51

cover plate

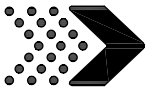
Qty: 3



52

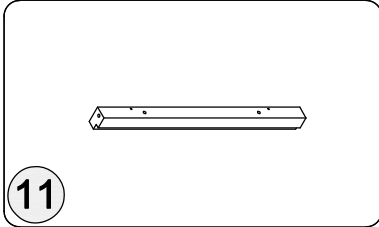
cover plate

Qty: 1



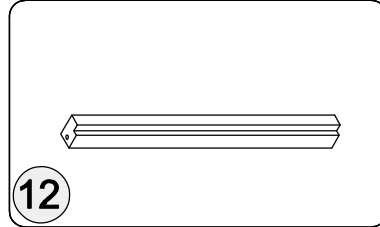
Wood Components (Not to Scale)

BOX 3/3



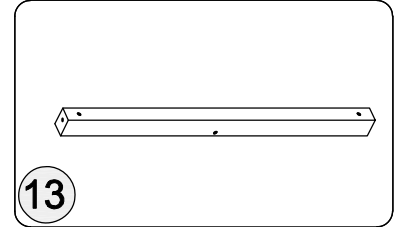
11

Left rear pillar
Qty: 1



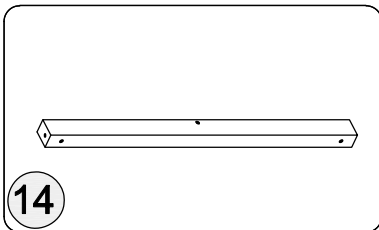
12

Left bottom bar
Qty: 1



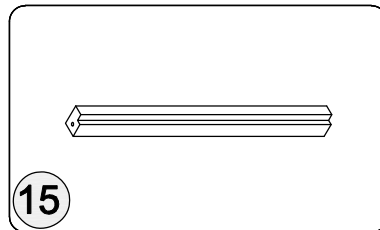
13

Middle front strip
Qty: 1



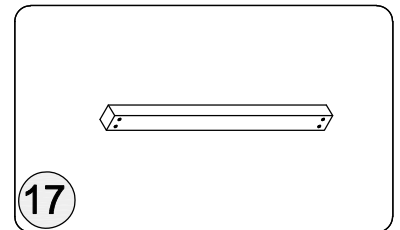
14

Middle side rear strip
Qty: 1



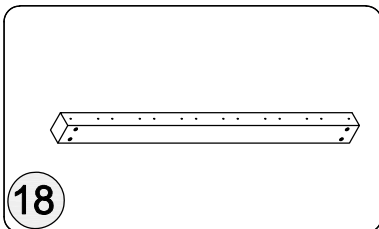
15

Mid side horizontal bar
Qty: 2



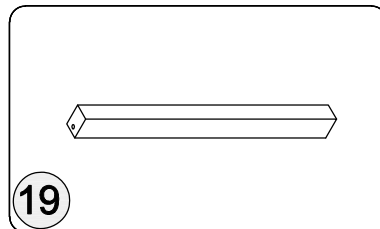
17

Foot brace
Qty: 2



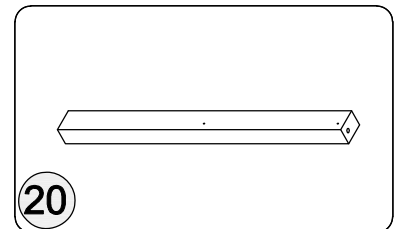
18

support strip
Qty: 2



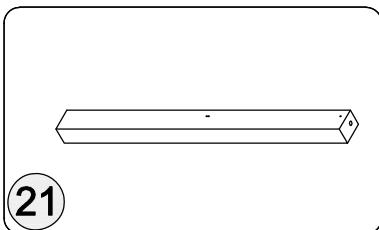
19

Middle pull strip
Qty: 1



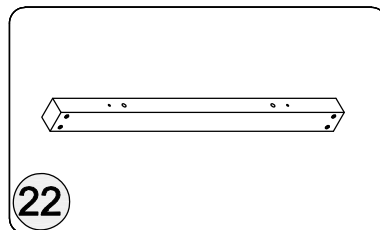
20

Left cushion strip
Qty: 1



21

Right cushion strip
Qty: 1



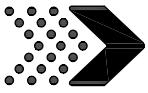
22

support strip
Qty: 1



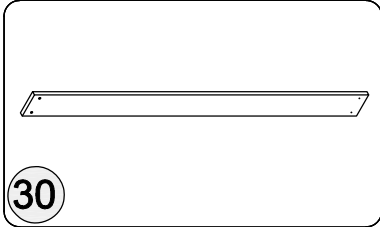
27

Upper back panel
Qty: 3



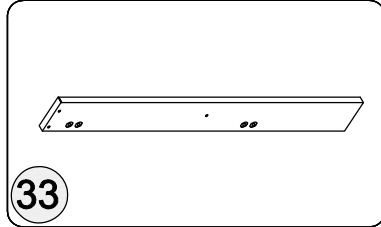
Wood Components (Not to Scale)

BOX 3/3



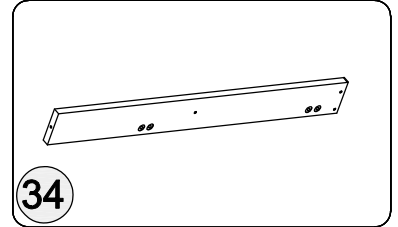
30

Pull up the strip
Qty: 4



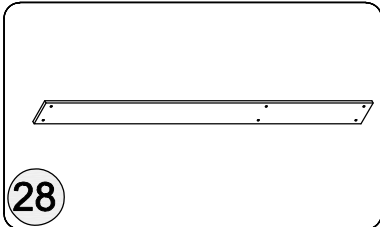
33

Top left panel
Qty: 1



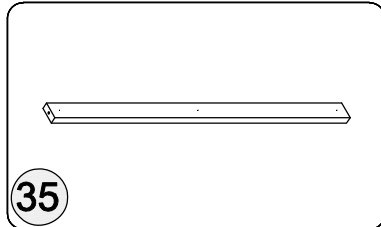
34

Top right panel
Qty: 1



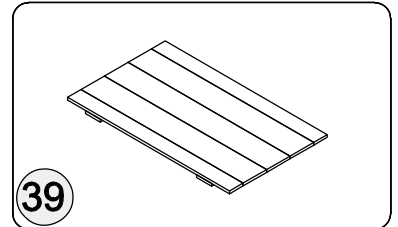
28

Lower back panel
Qty: 5



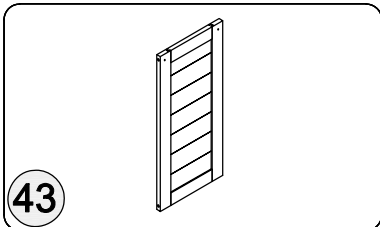
35

Top pull strip
Qty: 3



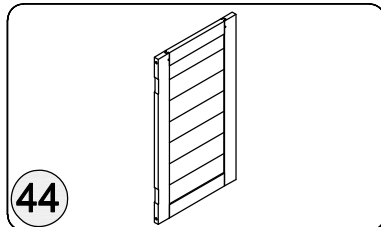
39

right plate
Qty: 3



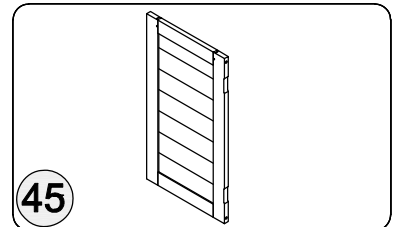
43

panel extraction
Qty: 1



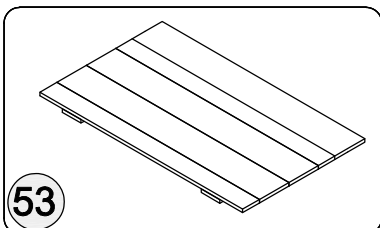
44

left door panel
Qty: 1



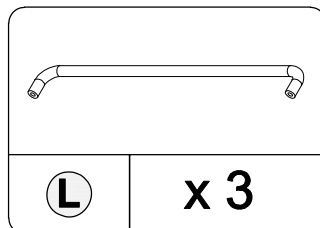
45

right door panel
Qty: 1



53

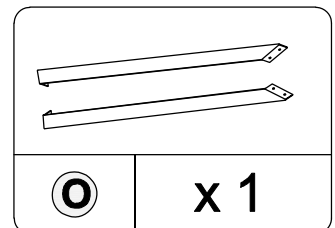
Right floor panel
Qty: 1



L

x 3

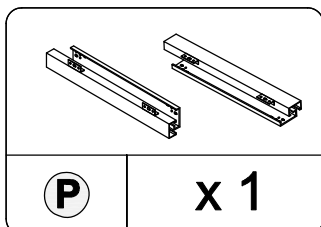
door handle



O

x 1

support bar




P

x 1

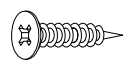
guide rail

Hardwares


Hardware Components

| | |
|---|-------------|
|  | |
| Ø8*30 | |
| (A) | x 61 |


Wooden tenons

| | |
|---|-------------|
|  | |
| M3*16 | |
| (B) | x 68 |


Screw

| | |
|---|-------------|
|  | |
| M4*25 | |
| (C) | x 26 |


Screw

| | |
|---|-------------|
|  | |
| M4*30 | |
| (D) | x 77 |


Screw

| | |
|---|-------------|
|  | |
| M4*40 | |
| (E) | x 79 |


Screw

| | |
|---|-------------|
|  | |
| M4*60 | |
| (F) | x 34 |

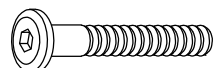
Screw

| | |
|--|------------|
|  | |
| M5*80 | |
| (G) | x 6 |


Screw

| | |
|--|------------|
|  | |
| M5*100 | |
| (H) | x 8 |

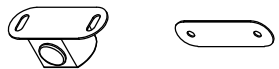
Screw

| | |
|--|------------|
|  | |
| M8*90 | |
| (I) | x 8 |

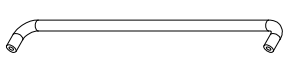
screws

| | |
|---|------------|
|  | |
| Ø21 | |
| (J) | x 8 |

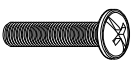
Flat washer

| | |
|---|-------------|
|  | |
| (K1) | (K2) |
| (K) | x 2 |

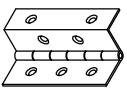
Door stopper

| | |
|---|------------|
|  | |
| (L) | x 3 |

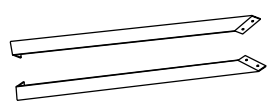
door handle

| | |
|---|------------|
|  | |
| M4*25 | |
| (M) | x 6 |

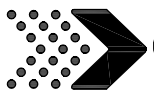
Screw

| | |
|---|------------|
|  | |
| L=62 | |
| (N) | x 4 |

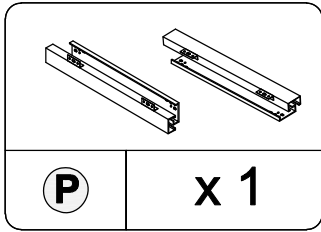
Hinge

| | |
|---|------------|
|  | |
| (O) | x 1 |

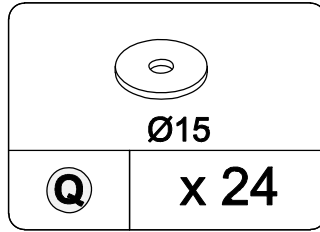
support bar



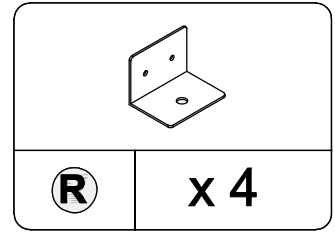
Hardware Components



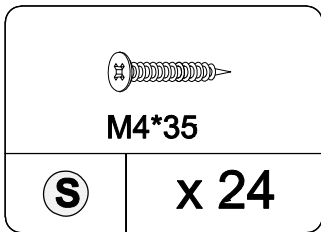
guide rail



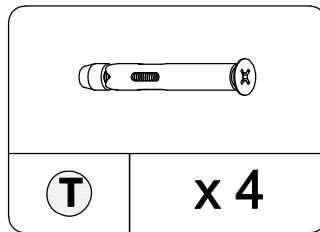
Gum Pad



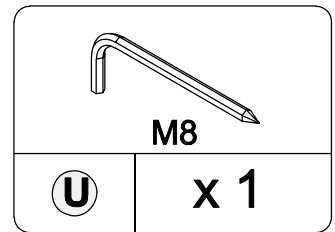
connect iron sheet



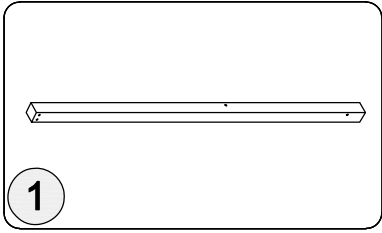
Screw



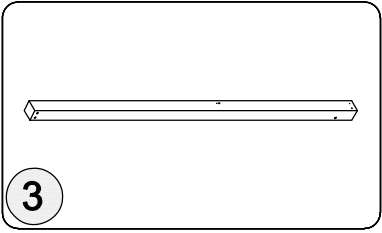
Earth screw



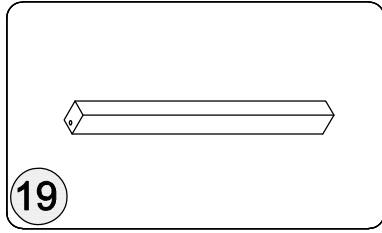
Hex key



1
Front left pillar
Qty: 1

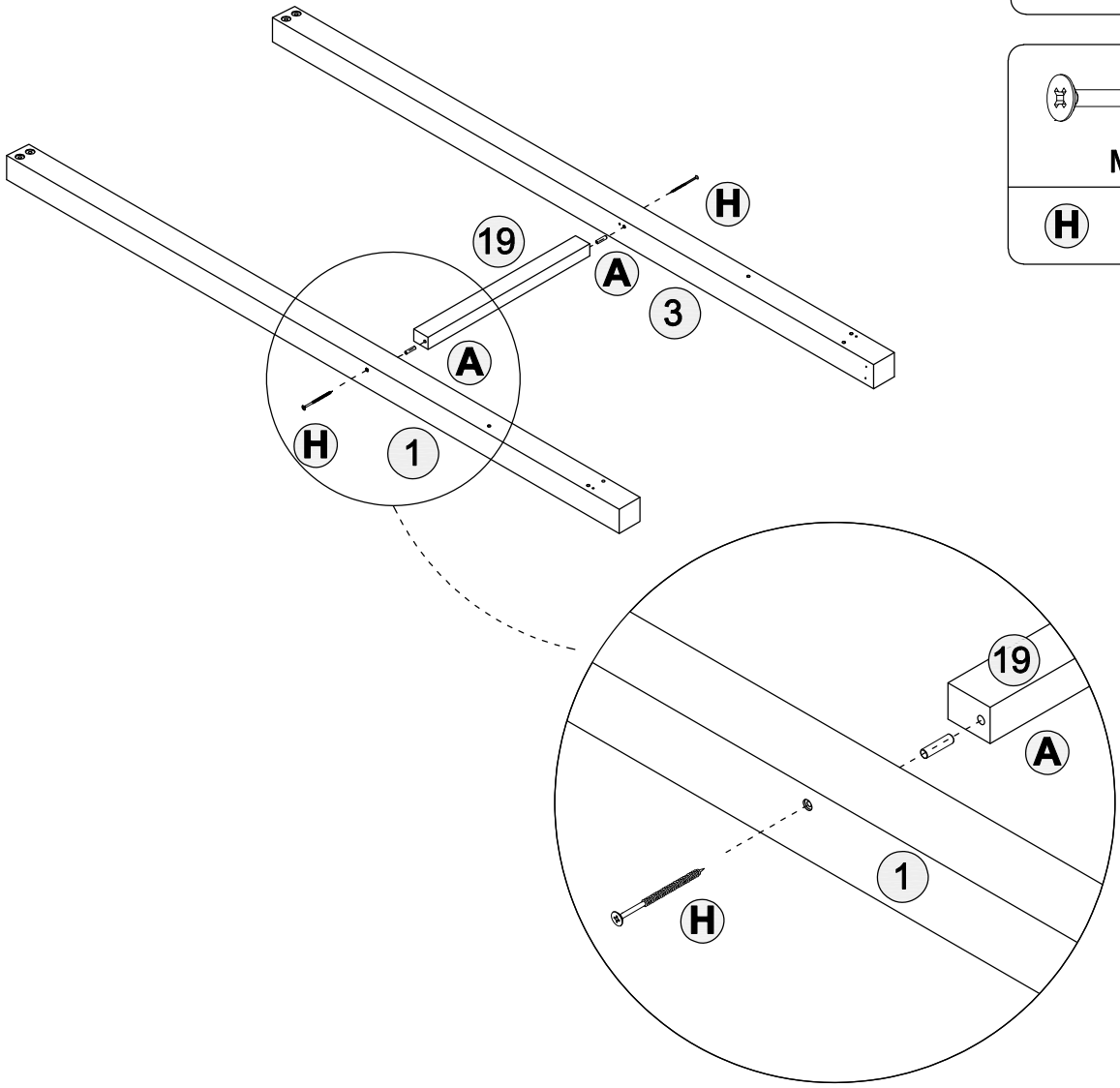
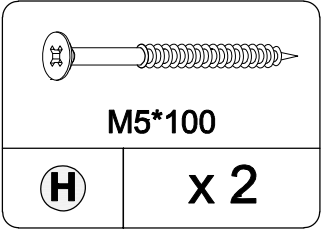
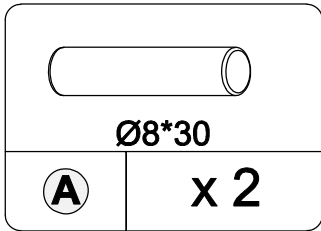


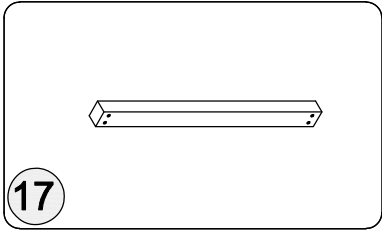
3
Rear left pillar
Qty: 1



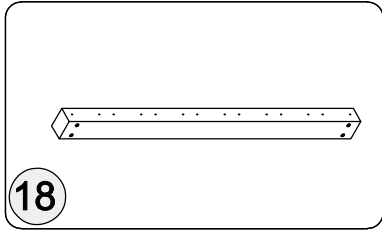
19
Middle pull strip
Qty: 1

1. Connect with hardware A first, then install with hardware H

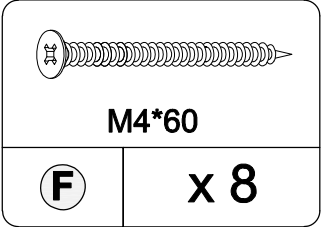
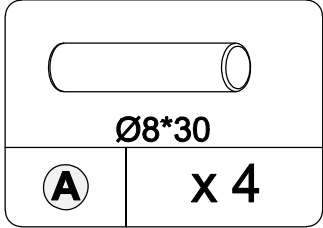




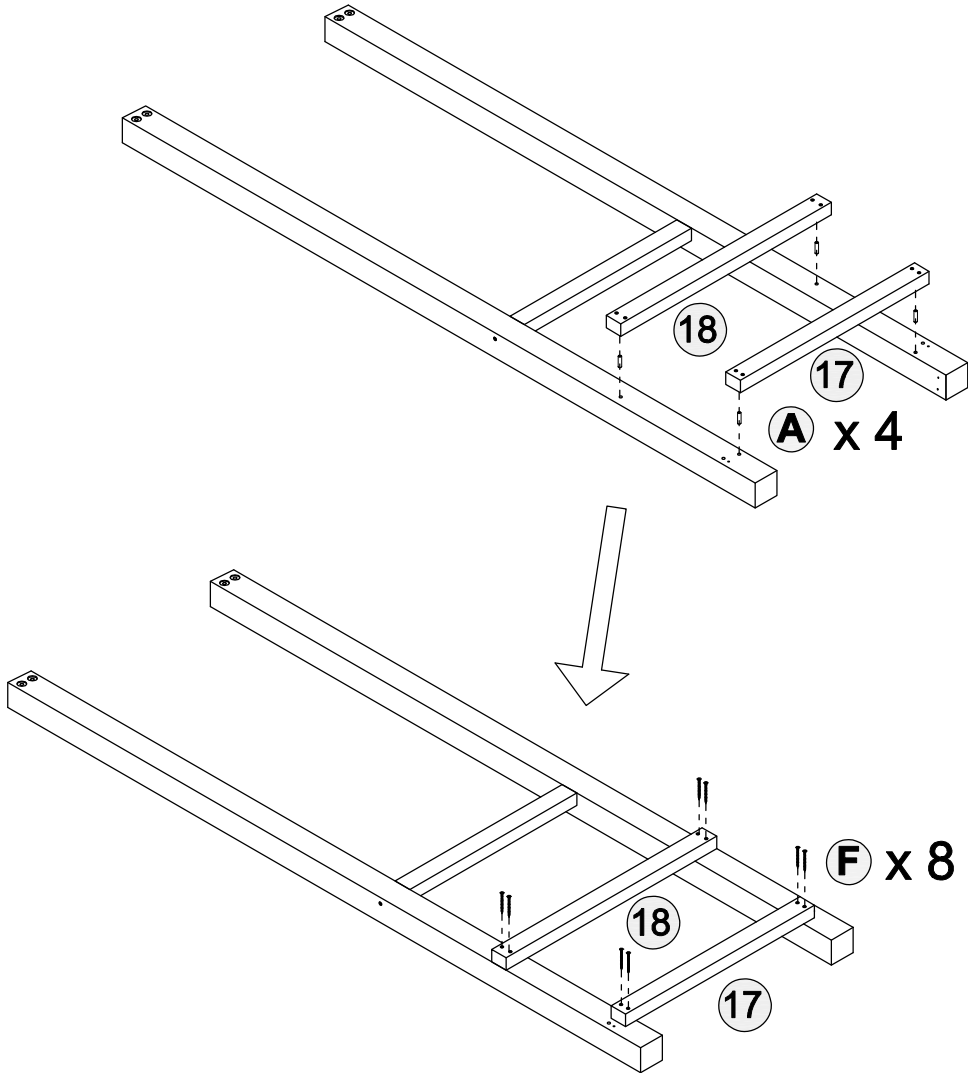
17
Foot brace
Qty: 1

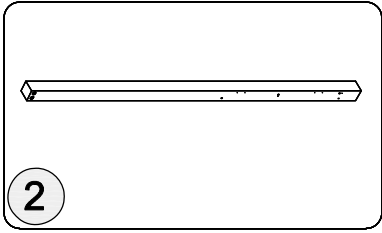


18
support strip
Qty: 1

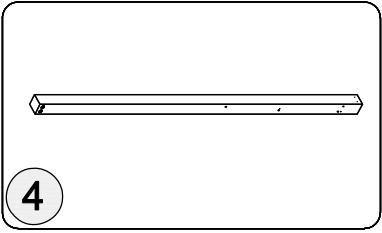


1. Connect with hardware A first, then install with hardware F

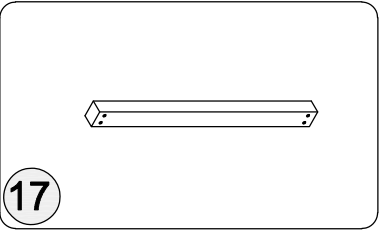




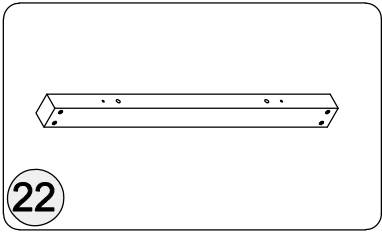
2
Front right pillar
Qty: 1



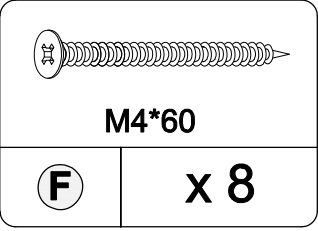
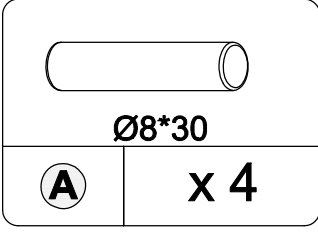
4
Rear right pillar
Qty: 1



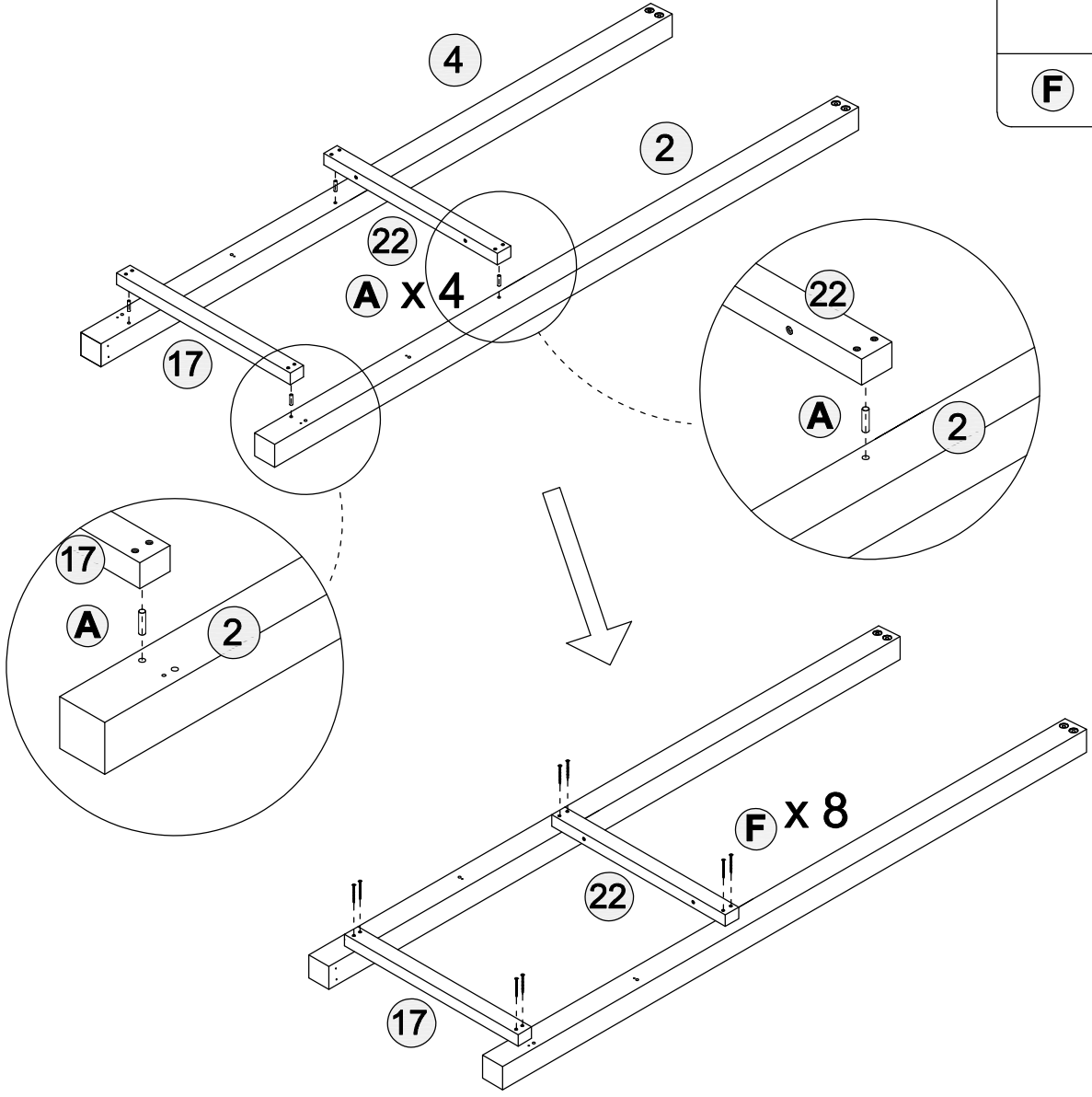
17
Foot brace
Qty: 1

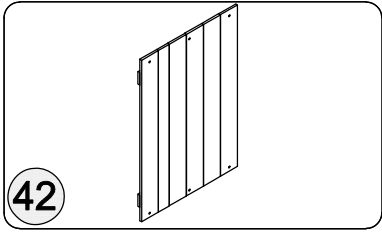


22
support strip
Qty: 1

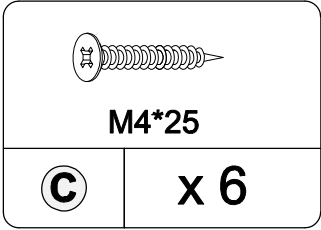


1. Connect with hardware A first, then install with hardware F

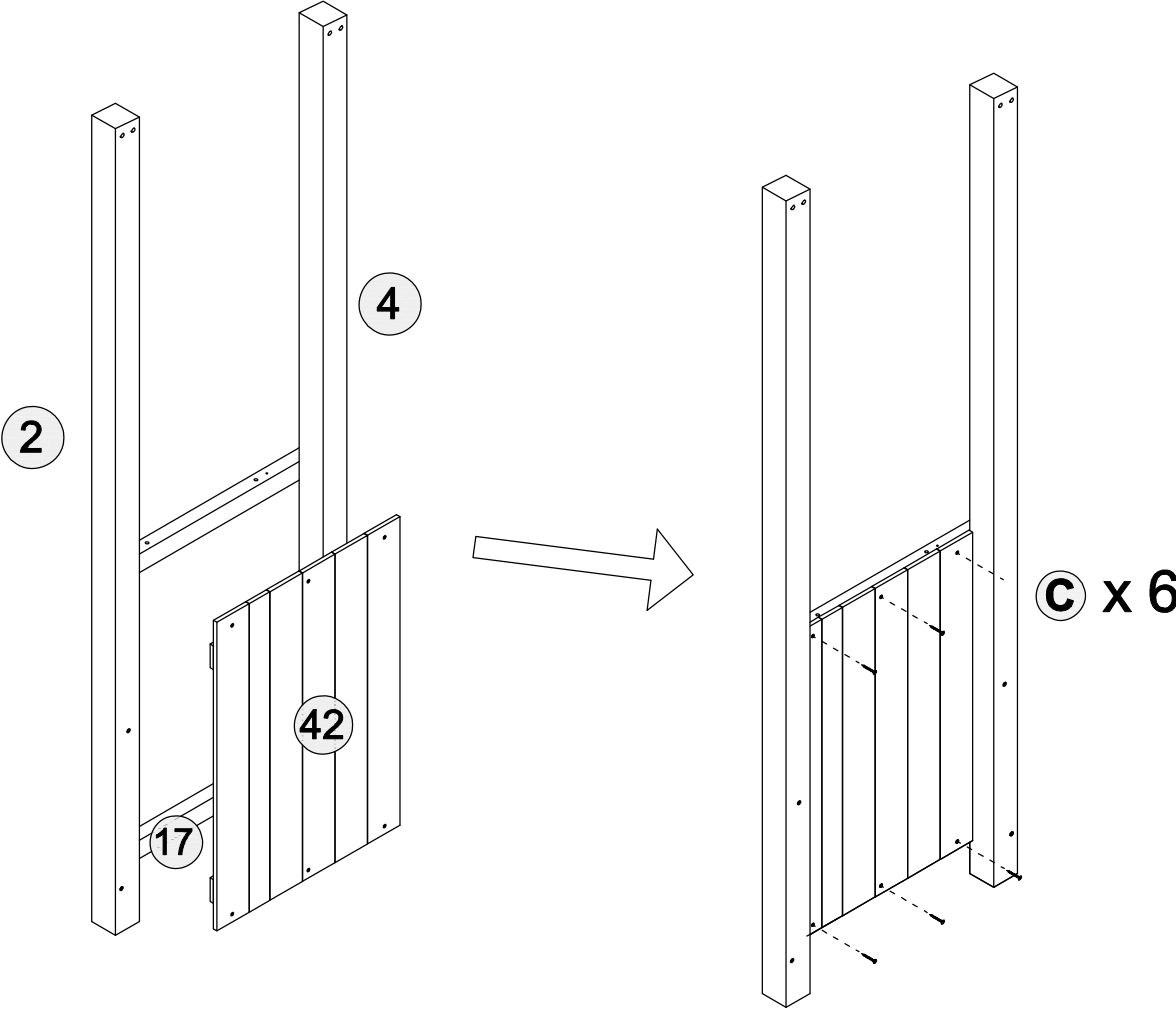


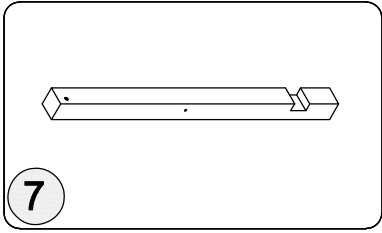


Right core board
Qty: 1

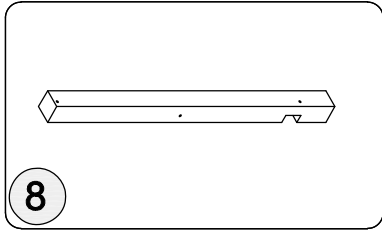


1. Place board 42 in it, with the lower end flush with the lower end of board 17

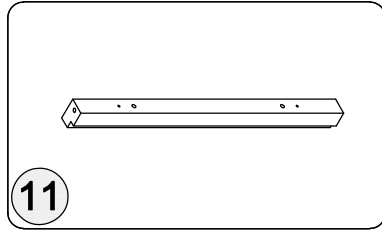




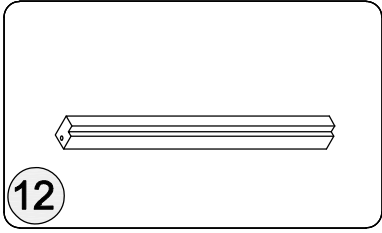
7
Left front pillar
Qty: 1



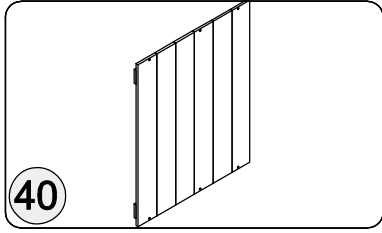
8
Left rear pillar
Qty: 1



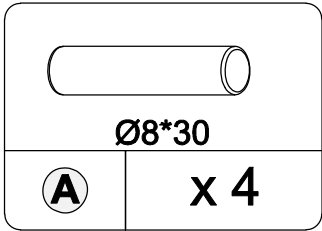
11
Left rear pillar
Qty: 1



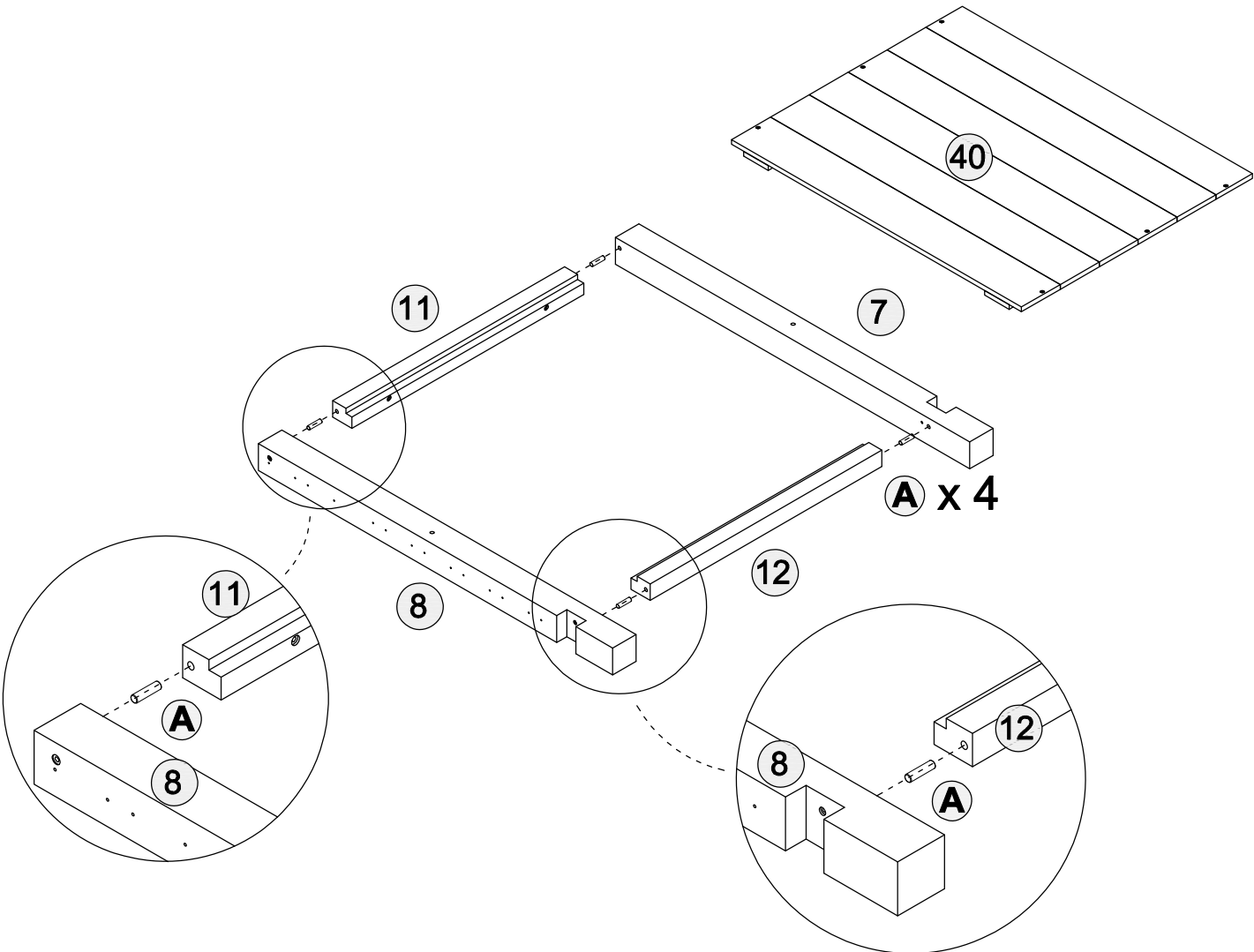
12
Left bottom bar
Qty: 1




40
Left core board
Qty: 1

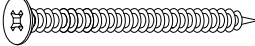



1. Connect with hardware A first, Then put panel 40 in

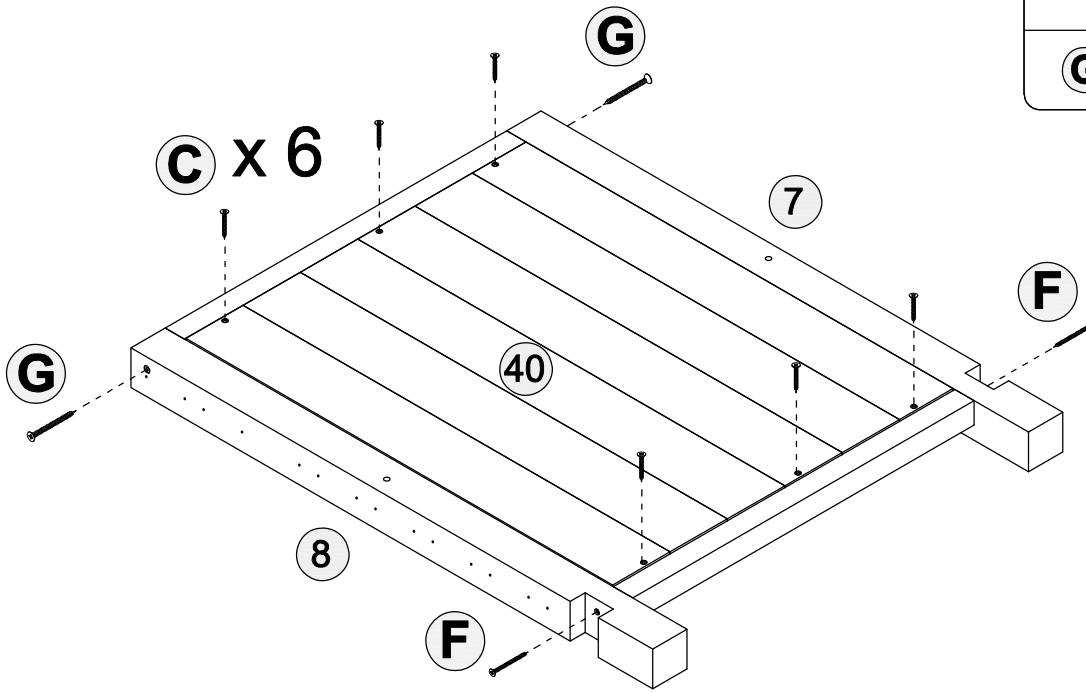


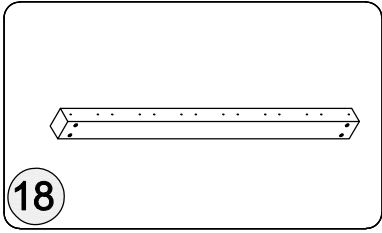
1. After adjusting neatly, install with hardware F and G ,C

| | |
|---|------------|
|  | |
| M4*25 | |
| C | x 6 |

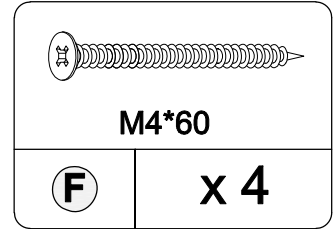
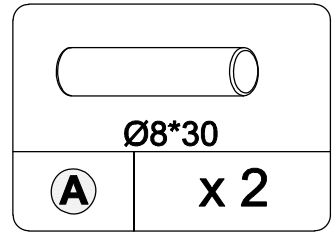
| | |
|---|------------|
|  | |
| M4*60 | |
| F | x 2 |

| | |
|---|------------|
|  | |
| M5*80 | |
| G | x 2 |

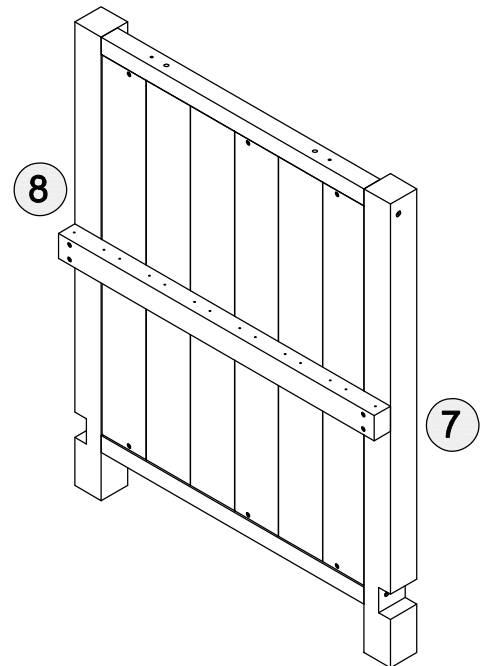
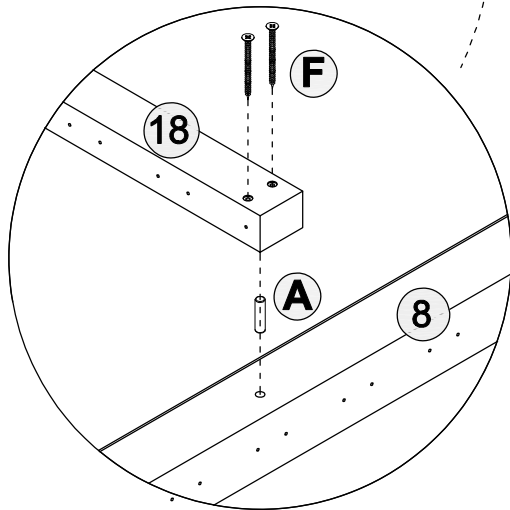
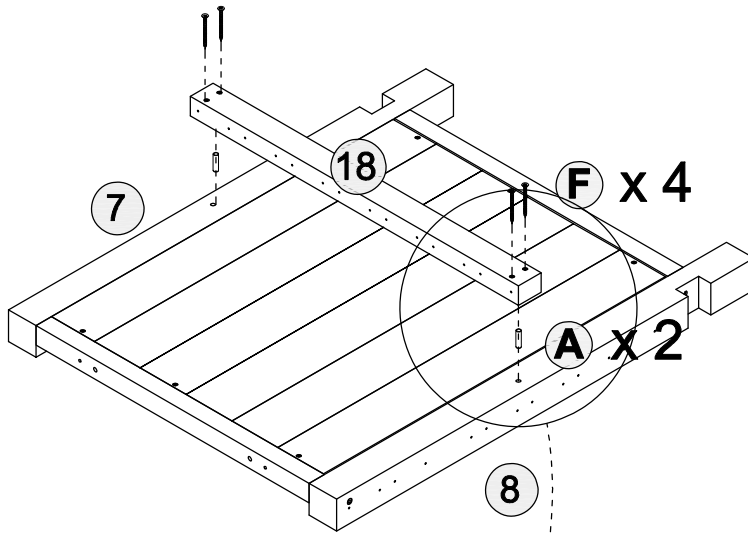


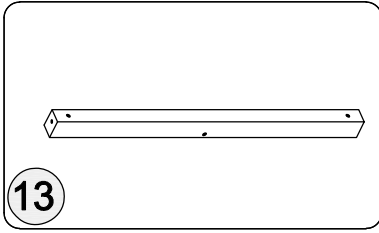
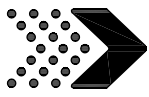


support strip
Qty: 1

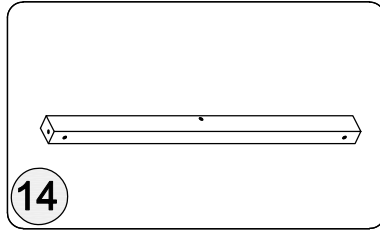


1. Connect with hardware A first, then install with hardware F

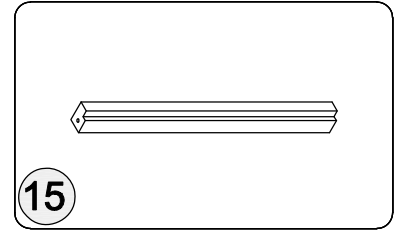




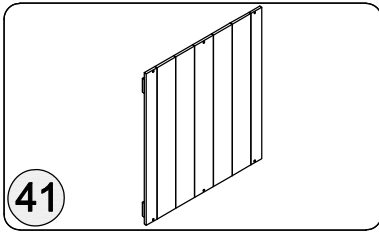
13
Middle front strip
Qty: 1



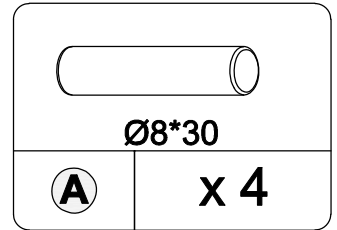
14
Middle side rear strip
Qty: 1



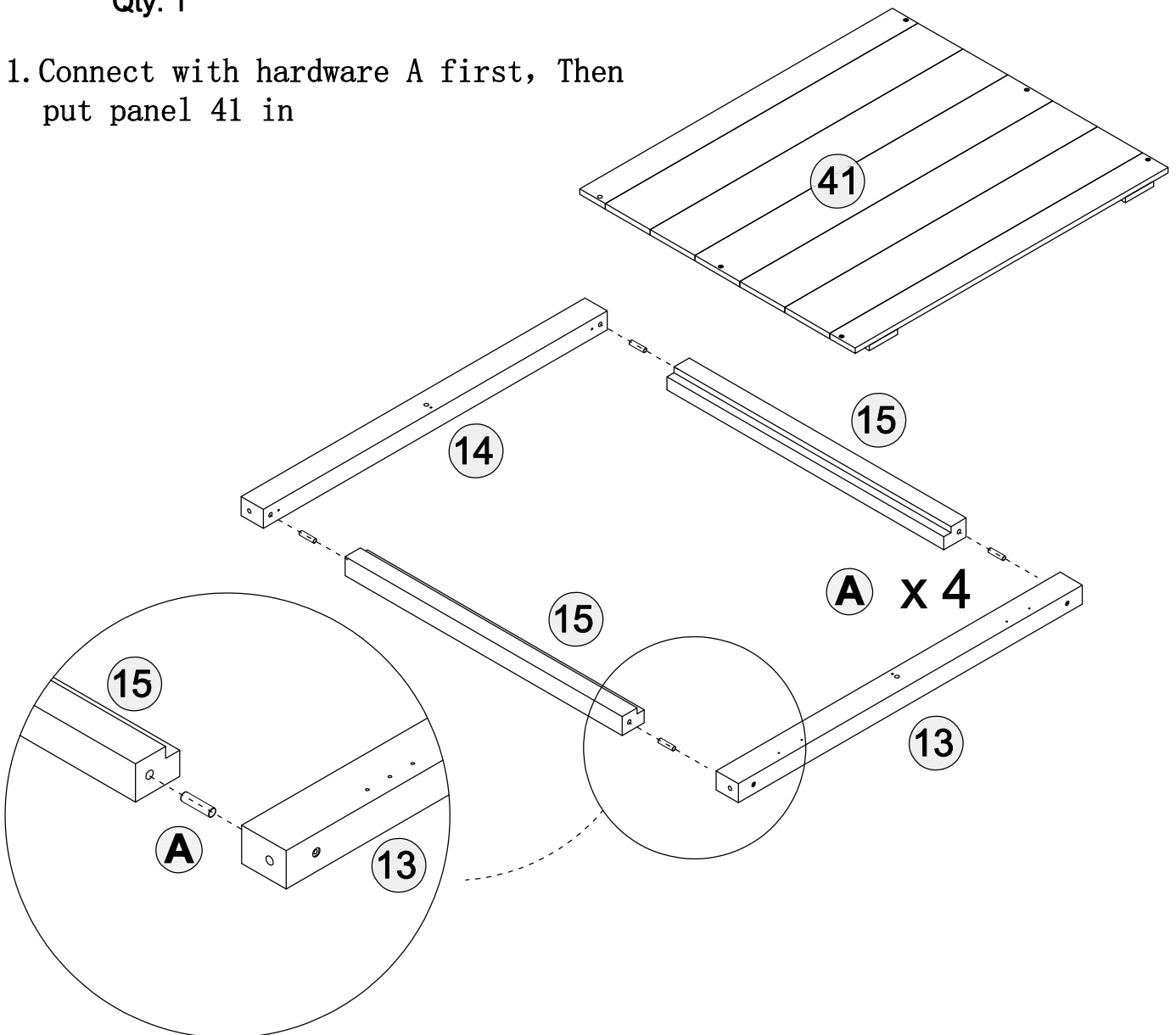
15
Mid side horizontal bar
Qty: 2

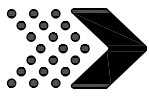


41
Mid core board
Qty: 1





1. Connect with hardware A first, Then put panel 41 in

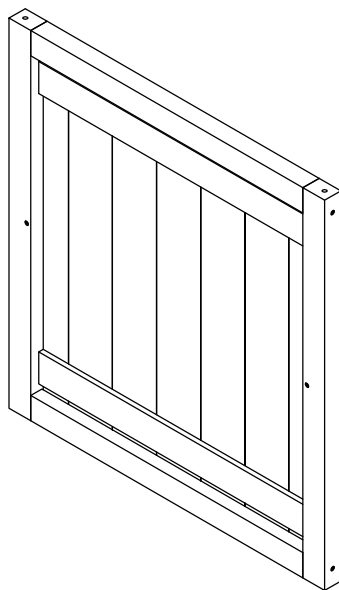
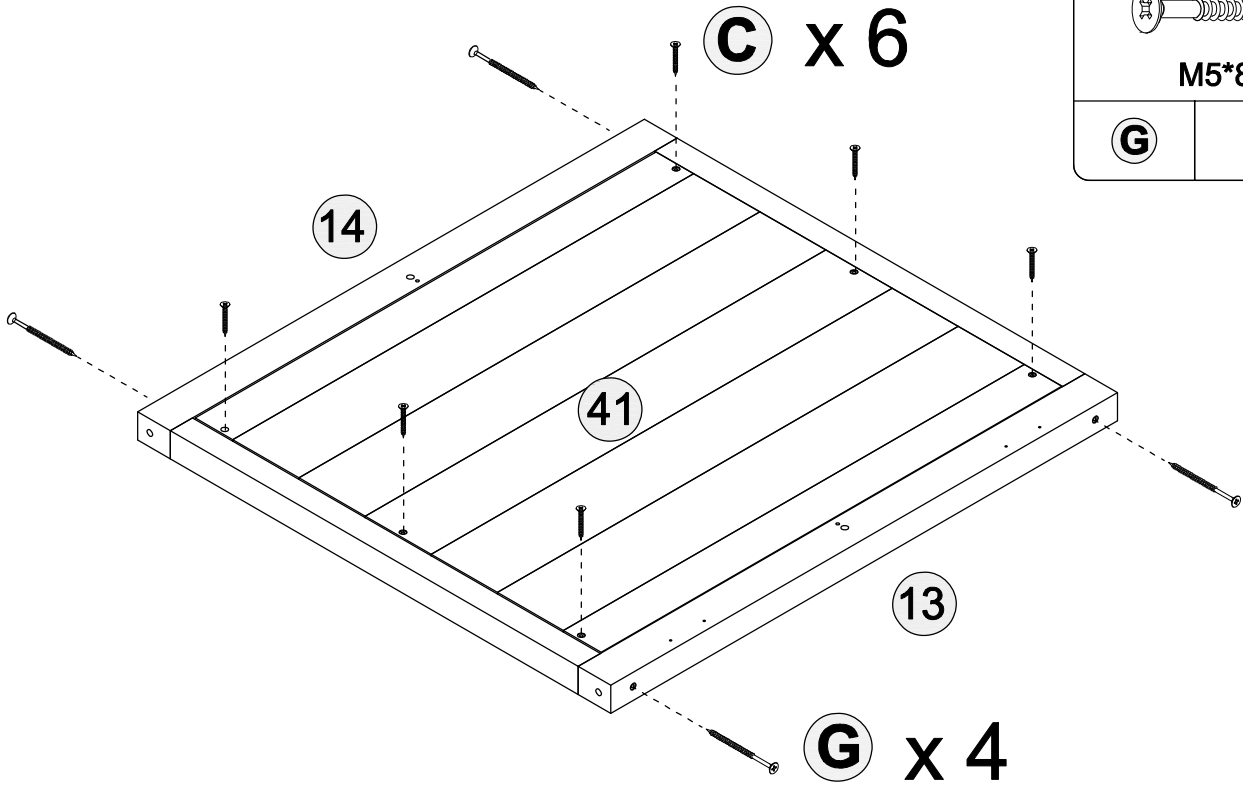


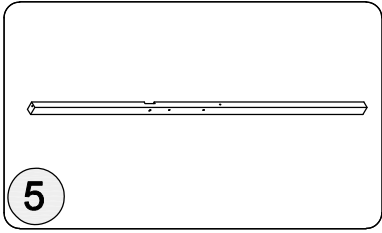


1. After adjusting neatly, install with hardware C and G

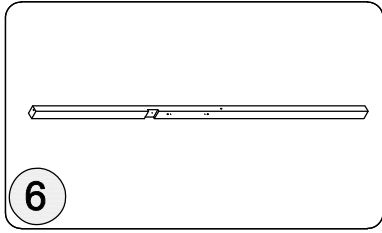
| | |
|---|------------|
|  | |
| M4*25 | |
| C | x 6 |

| | |
|---|------------|
|  | |
| M5*80 | |
| G | x 4 |

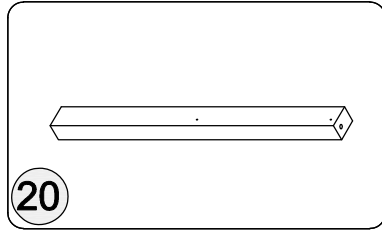




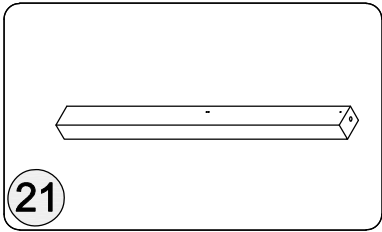
5
front foot strip
Qty: 1



6
rear foot strap
Qty: 1

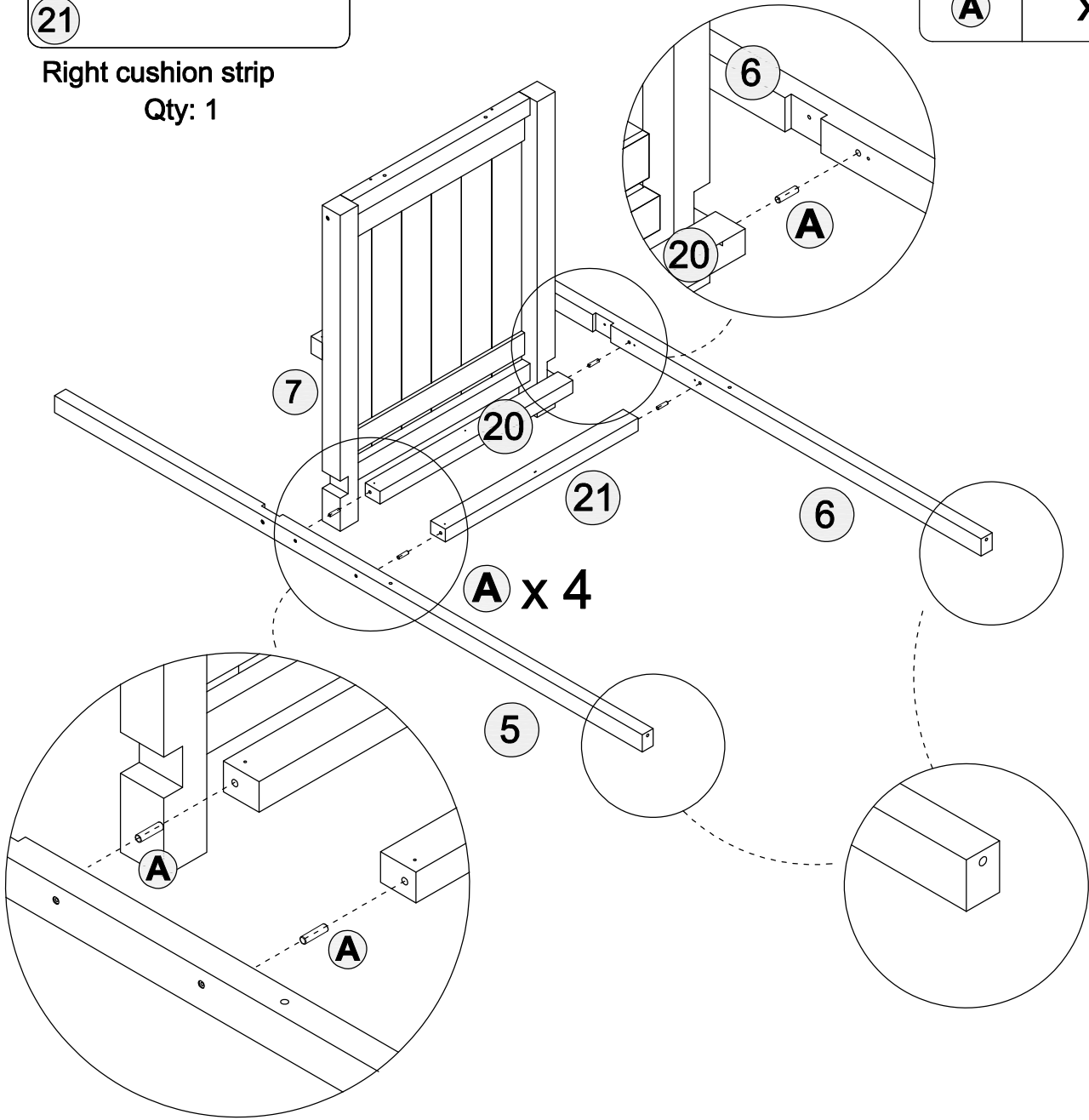
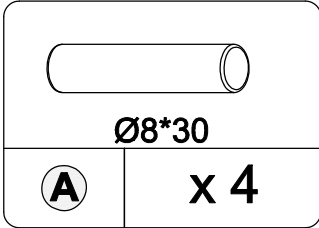


20
Left cushion strip
Qty: 1




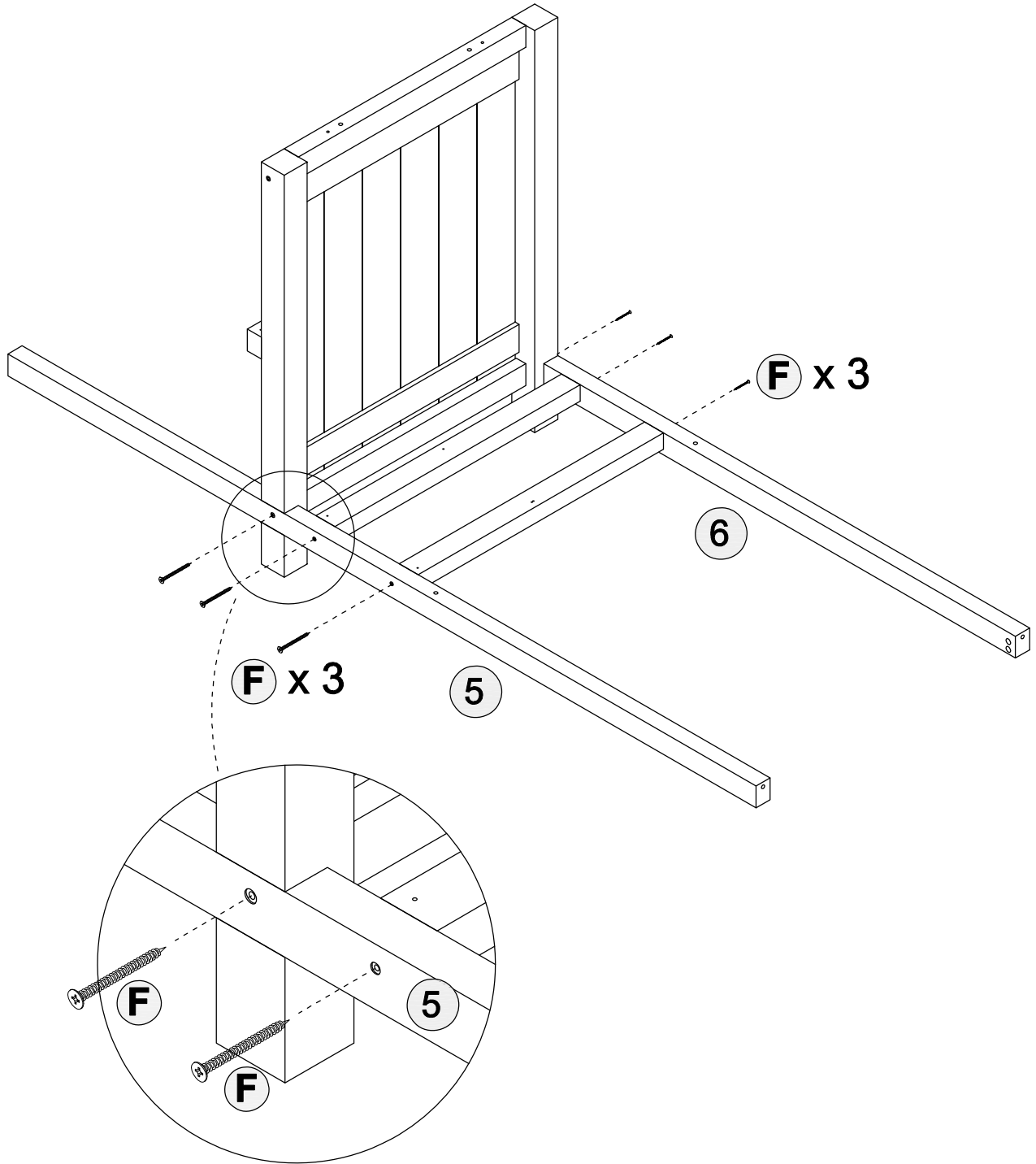
21
Right cushion strip
Qty: 1

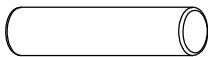
1. Connect with hardware A




1. After arranging the boards neatly, install them with hardware F

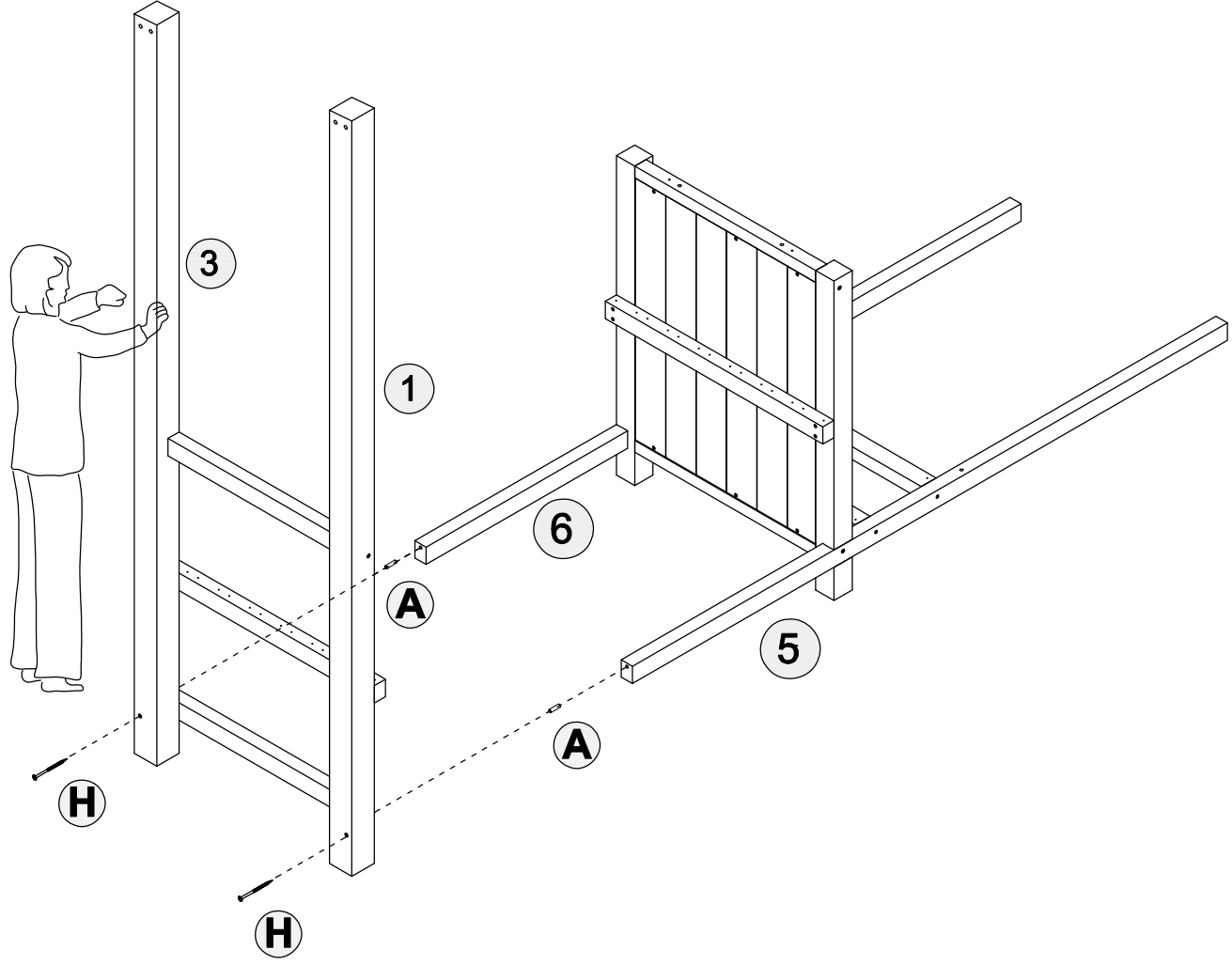
| | |
|---|------------|
|  | |
| M4*60 | |
| F | x 6 |



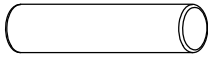
| | |
|---|------------|
|  | |
| Ø8*30 | |
| A | x 2 |

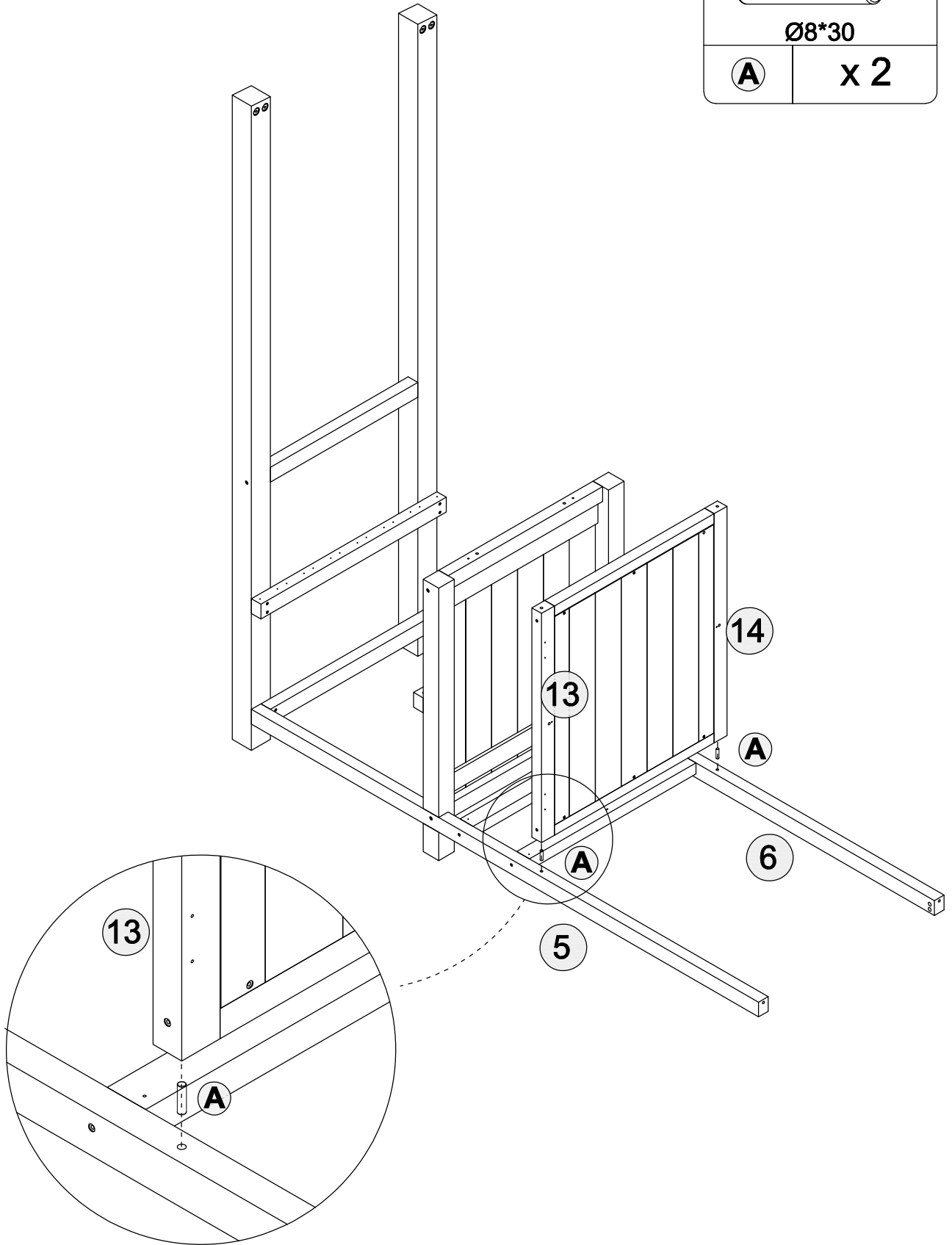
1. Connect with hardware A first, then install with hardware H

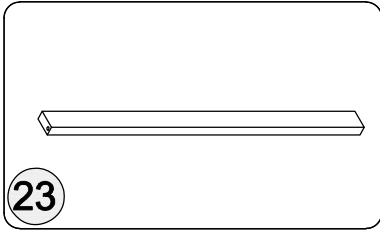
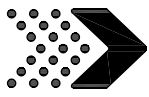
| | |
|---|------------|
|  | |
| M5*100 | |
| H | x 2 |



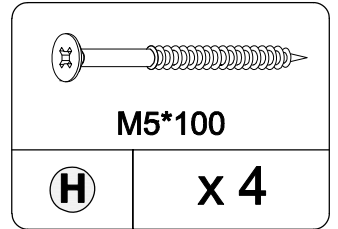
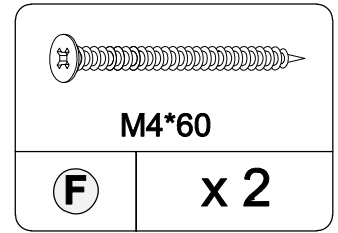
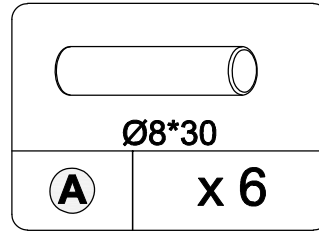
1. Connect with hardware A

| | |
|---|------------|
|  | |
| Ø8*30 | |
| A | x 2 |

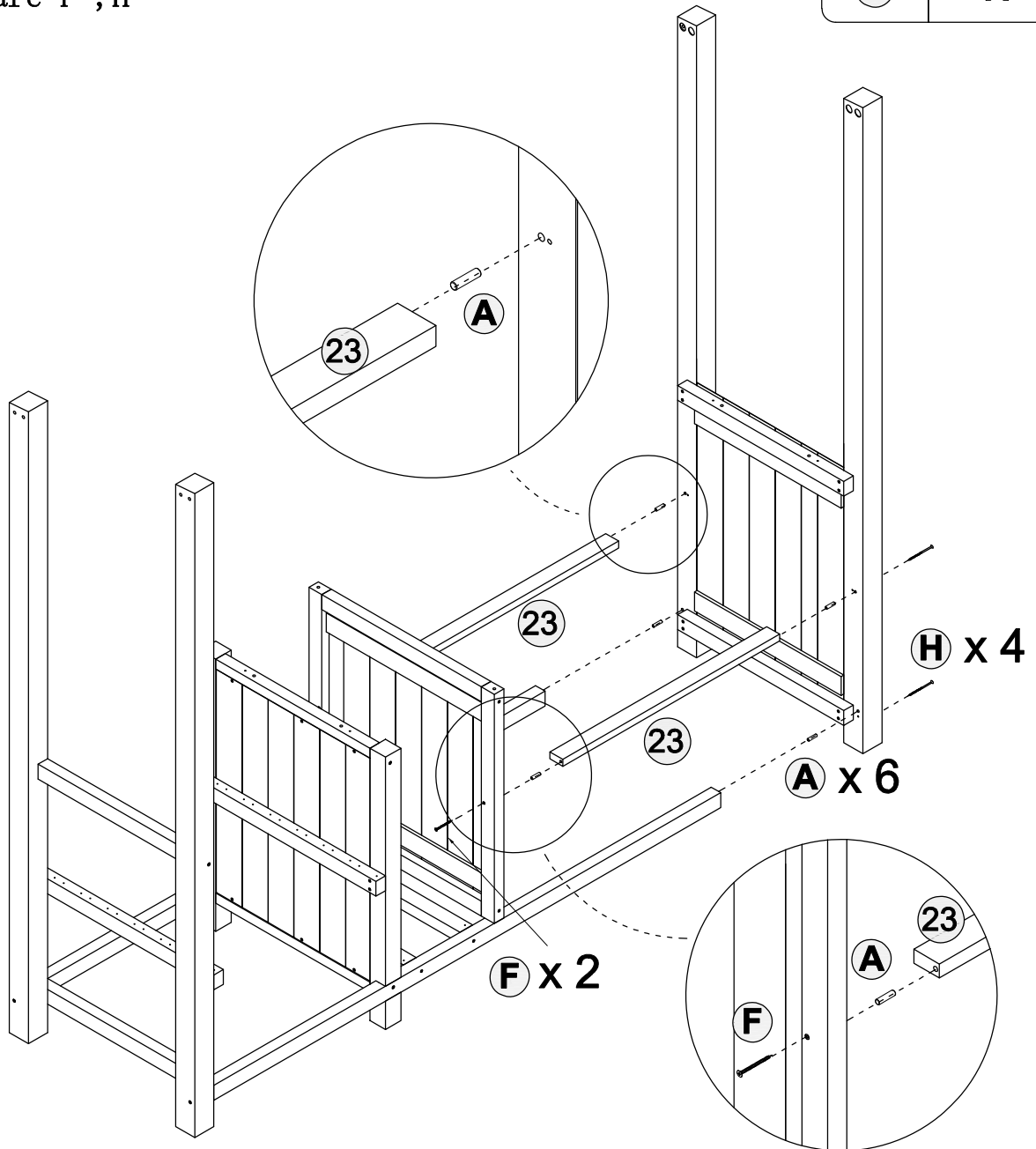


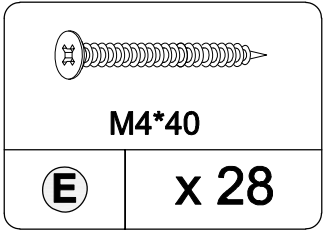
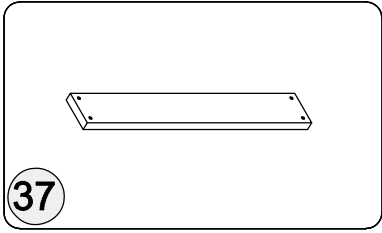


support strip
Qty: 2



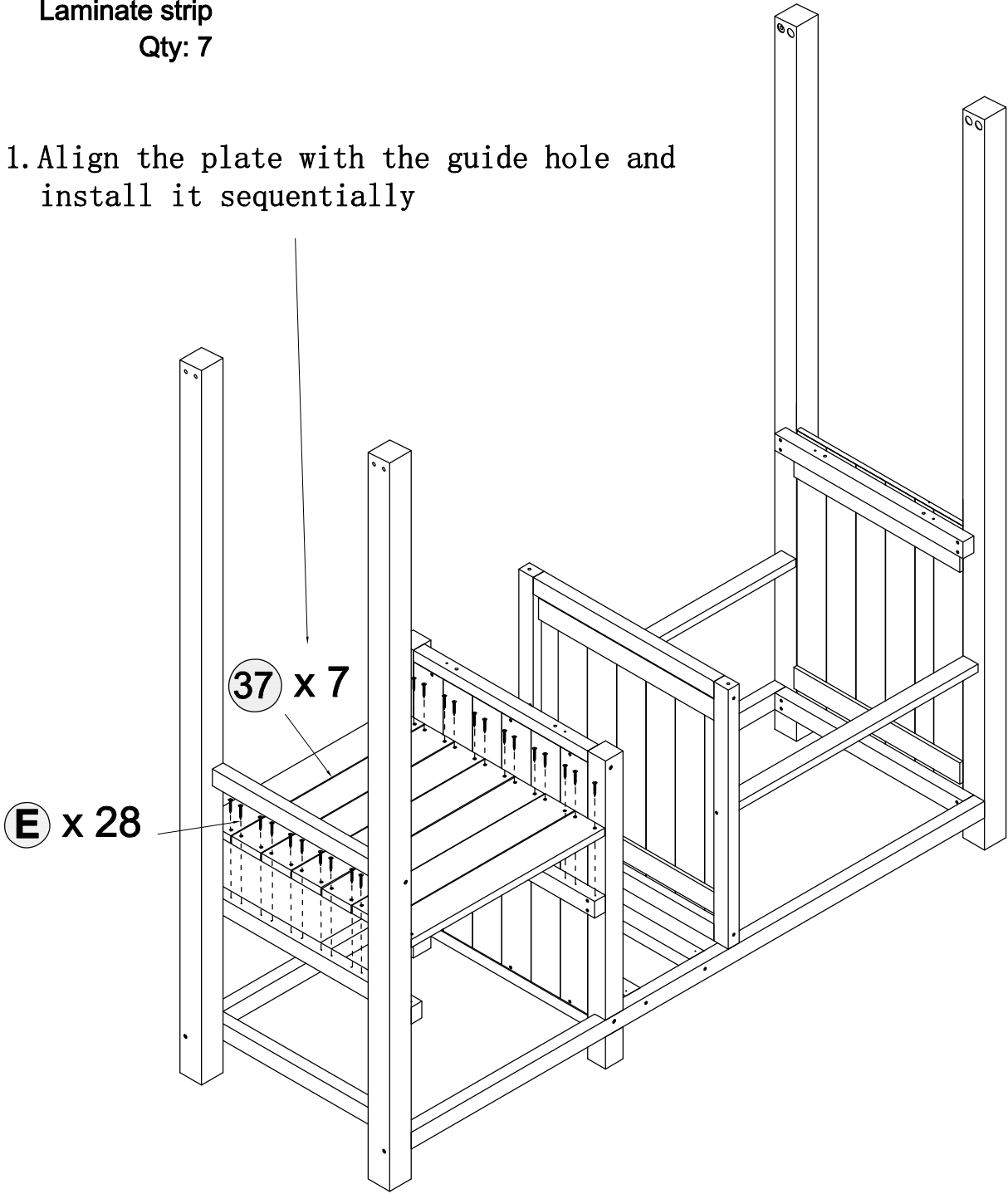
1. Connect with hardware A first, then install with hardware F ,H

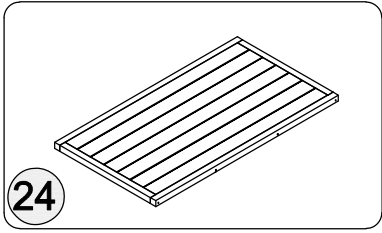




Laminate strip
Qty: 7

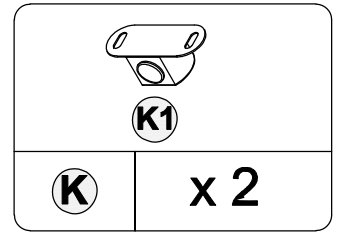
1. Align the plate with the guide hole and install it sequentially





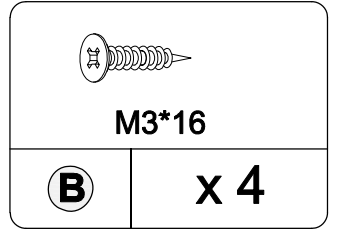
panel

Qty: 1



K

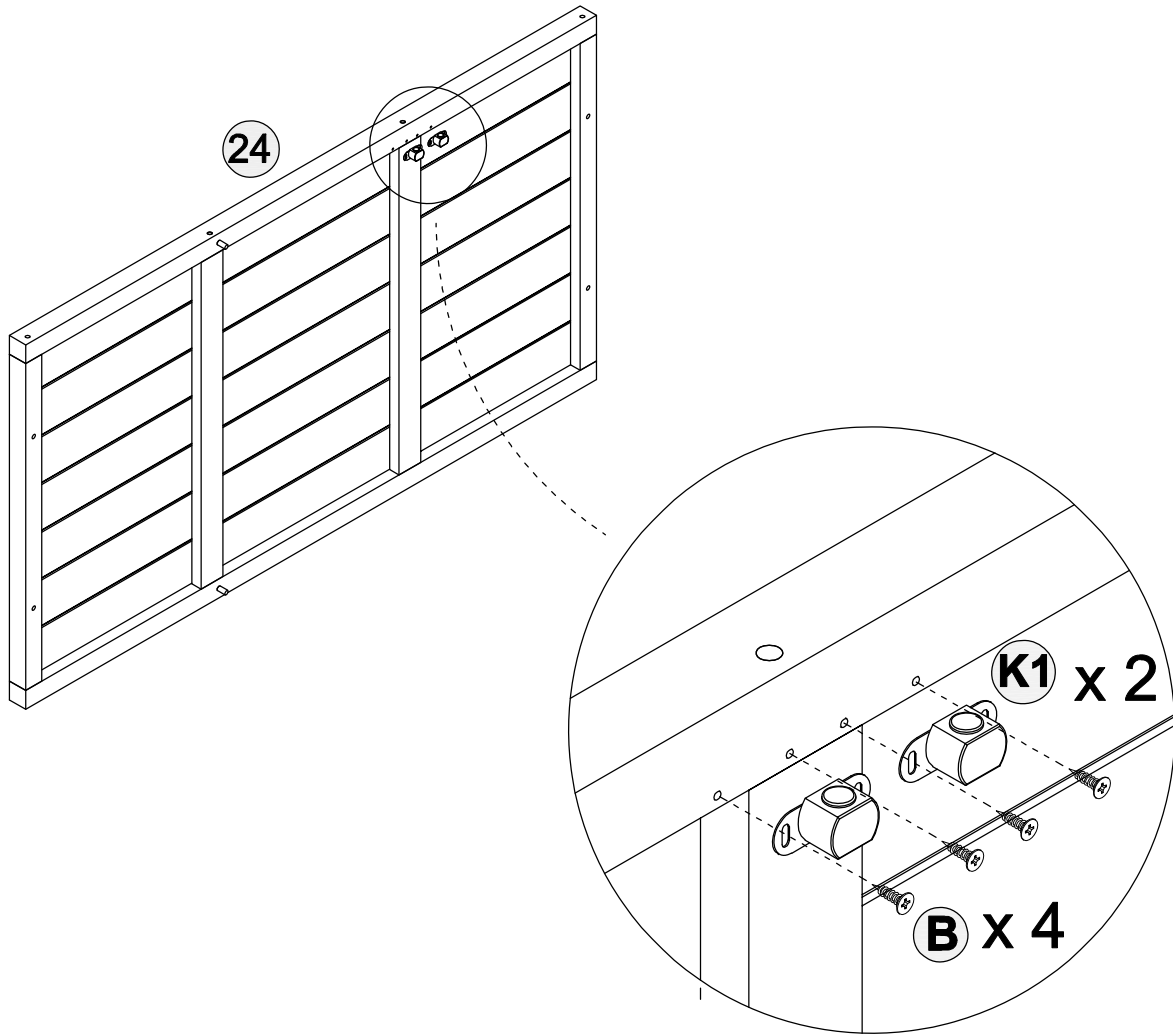
x 2




B


x 4

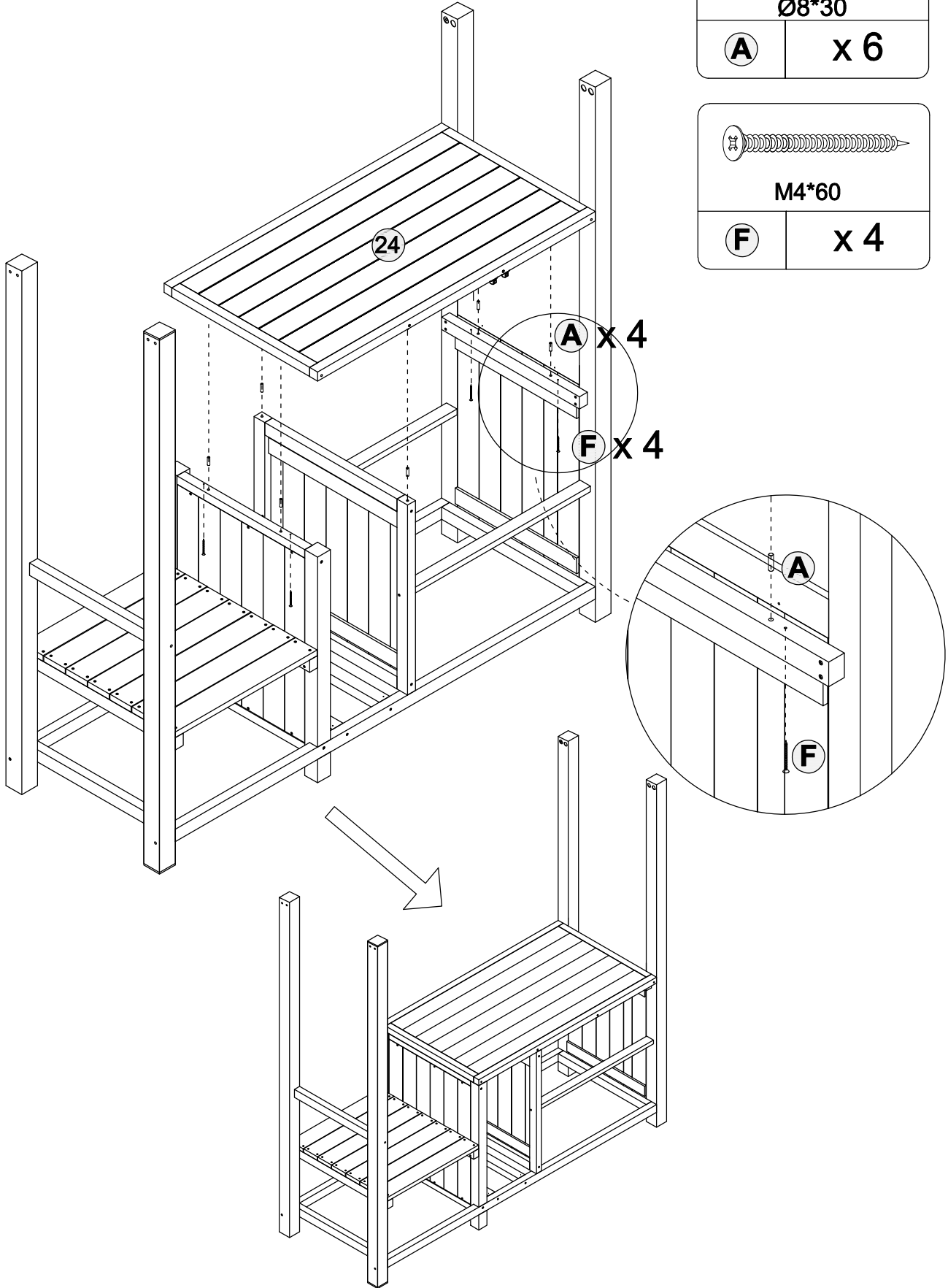
1. Pre-install the hardware B for the pilot hole

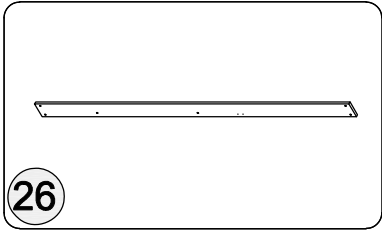


1. Connect with hardware A first, then install with hardware F

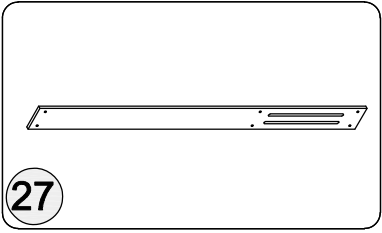
| | |
|---|------------|
|  | |
| Ø8*30 | |
| A | x 6 |

| | |
|---|------------|
|  | |
| M4*60 | |
| F | x 4 |

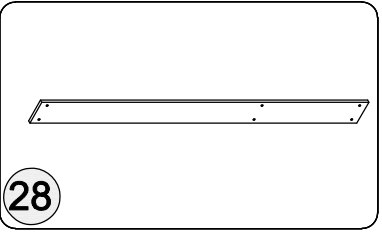




Next article
Qty: 1

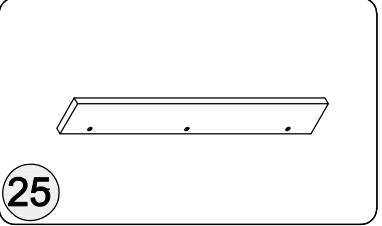


Upper back panel
Qty: 3

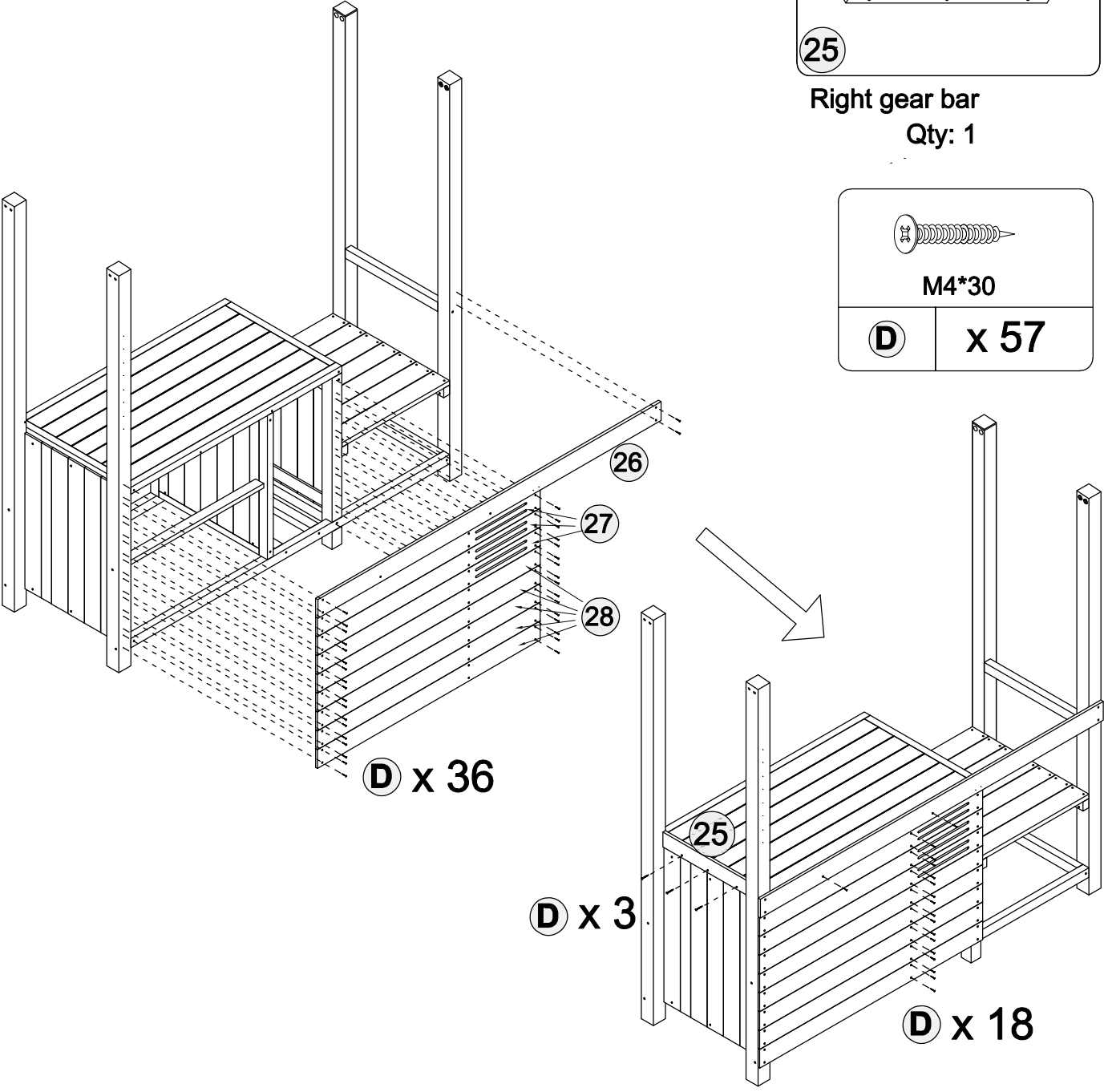
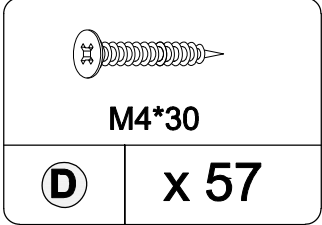


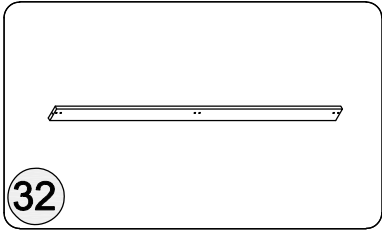
Lower back panel
Qty: 5

1. Use hardware D to pass through component 26, 27, 28 and install it towards the lead hole

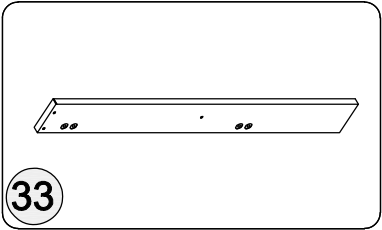


Right gear bar
Qty: 1

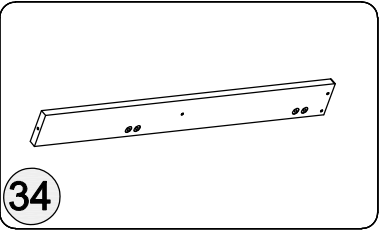




32
Top and back panels
Qty: 1



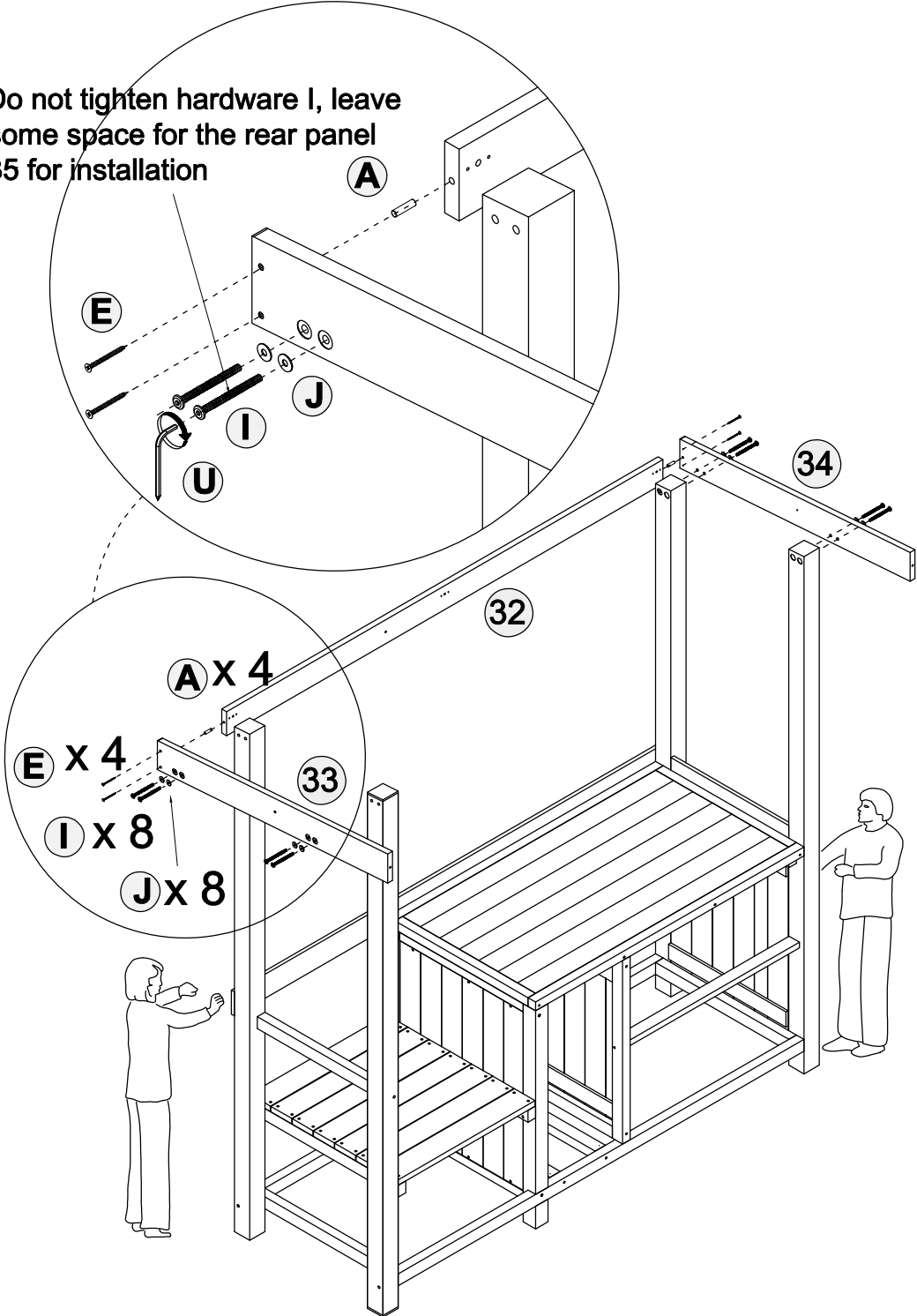
33
Top left panel
Qty: 1





34
Top right panel
Qty: 1

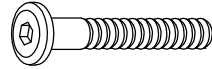
1. Thread hardware I through hardware J, and then use tool hardware U to install component 33, 34


Do not tighten hardware I, leave some space for the rear panel 35 for installation

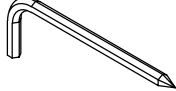


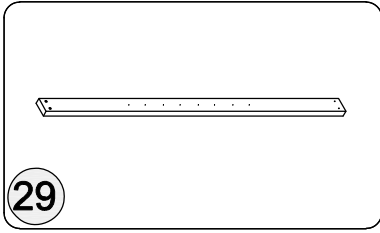
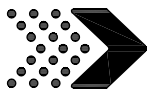
| | |
|---|-----|
|  | |
| Ø8*30 | |
| A | x 2 |

| | |
|---|-----|
|  | |
| M4*40 | |
| E | x 4 |

| | |
|---|-----|
|  | |
| M8*90 | |
| I | x 8 |

| | |
|---|-----|
|  | |
| Ø21 | |
| J | x 8 |

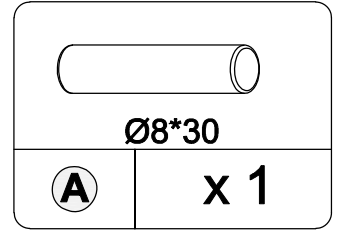
| | |
|---|-----|
|  | |
| U | x 1 |



29
Rear vertical plate

Qty: 1

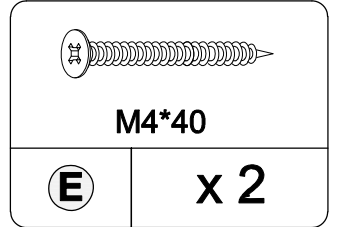
1. Connect with hardware A first, then install with hardware E



Ø8*30

A

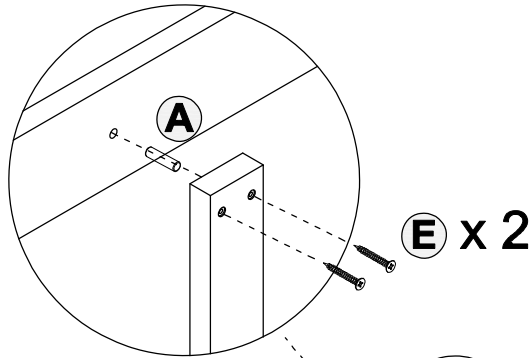
x 1



M4*40

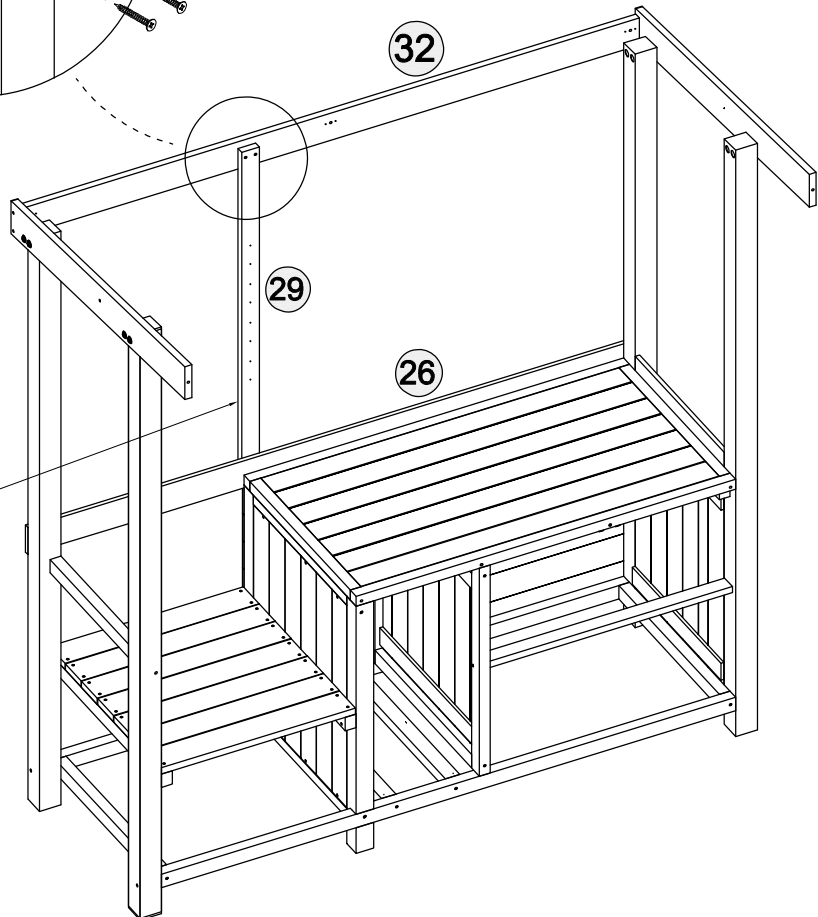
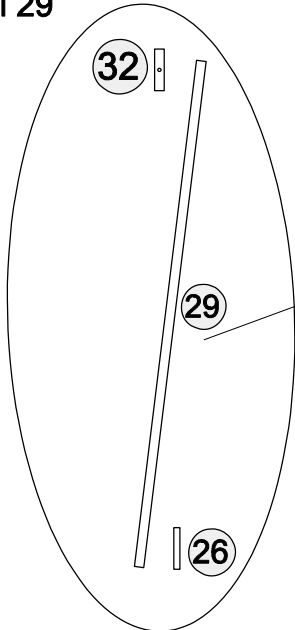
E

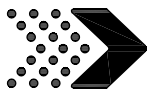
x 2




E x 2

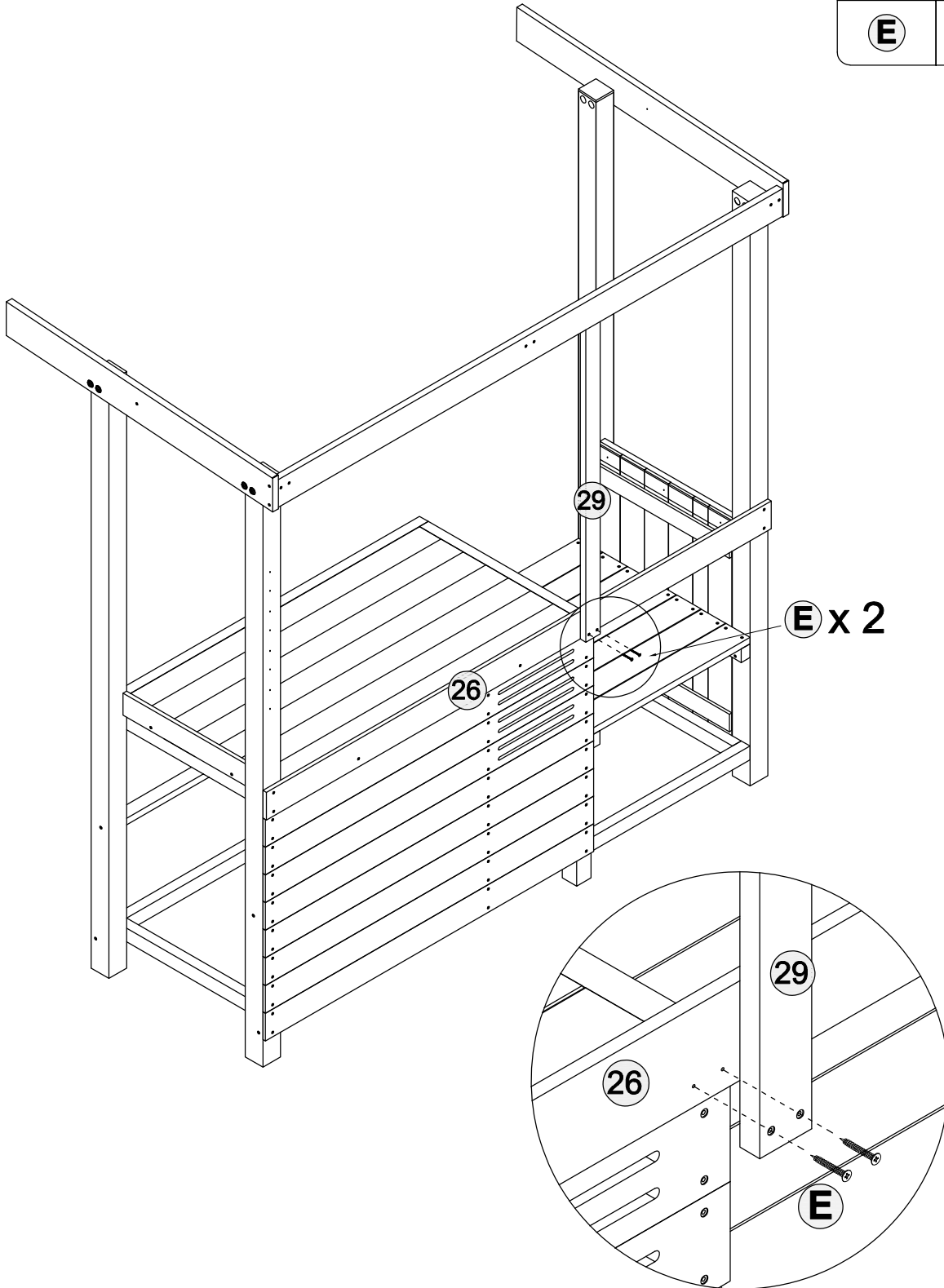
From the side, the positions of the upper and lower ends of panel 29

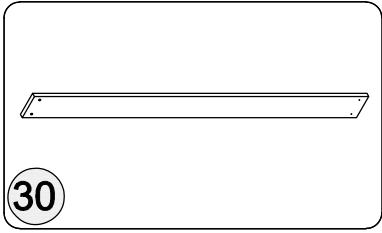




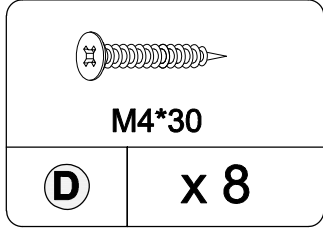
1. Use hardware E to pass through component 29 and install it towards the lead hole

| | |
|---|------------|
|  | |
| M4*40 | |
| E | x 2 |

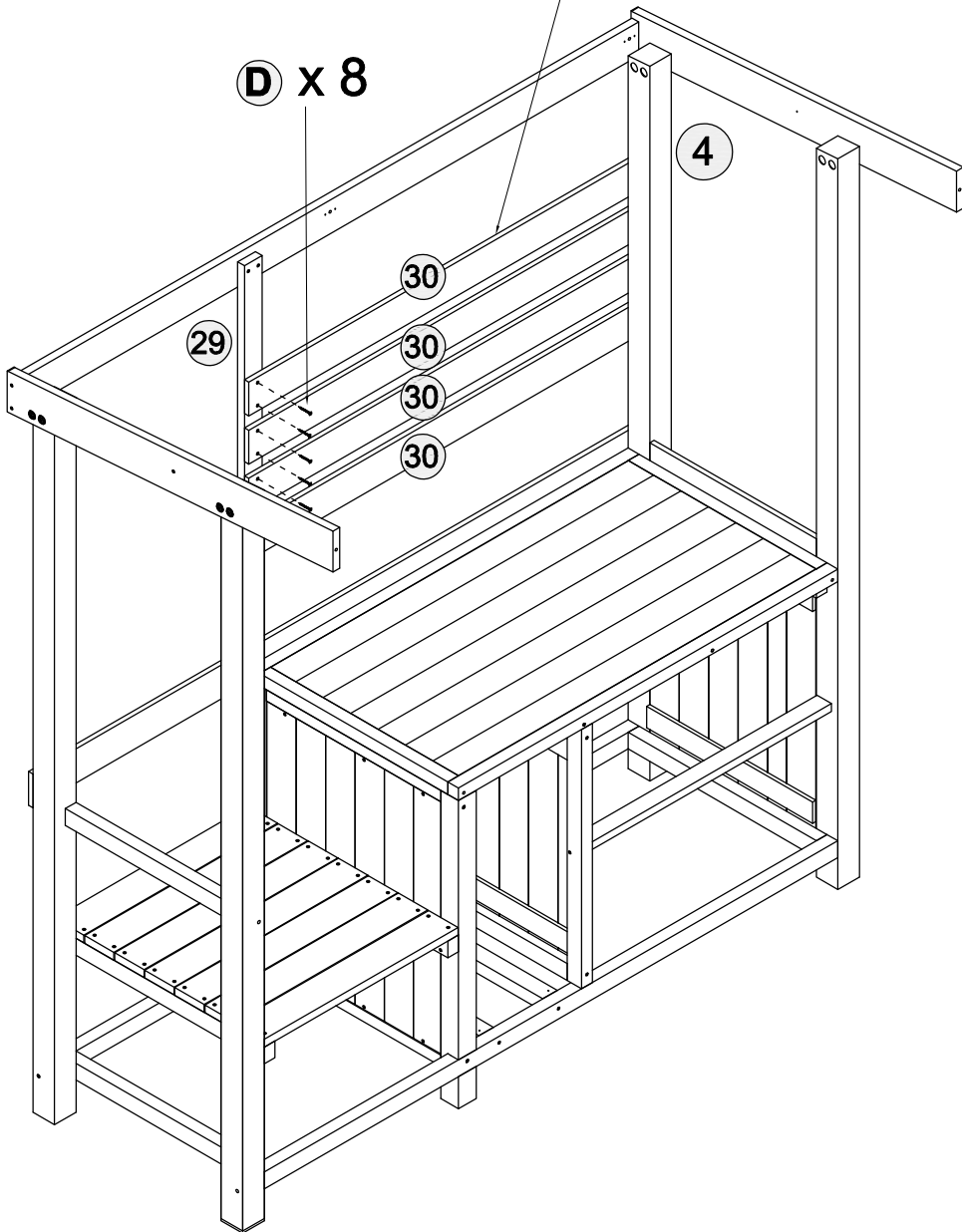
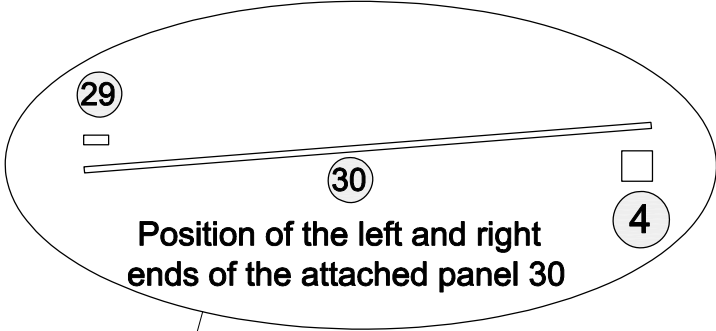




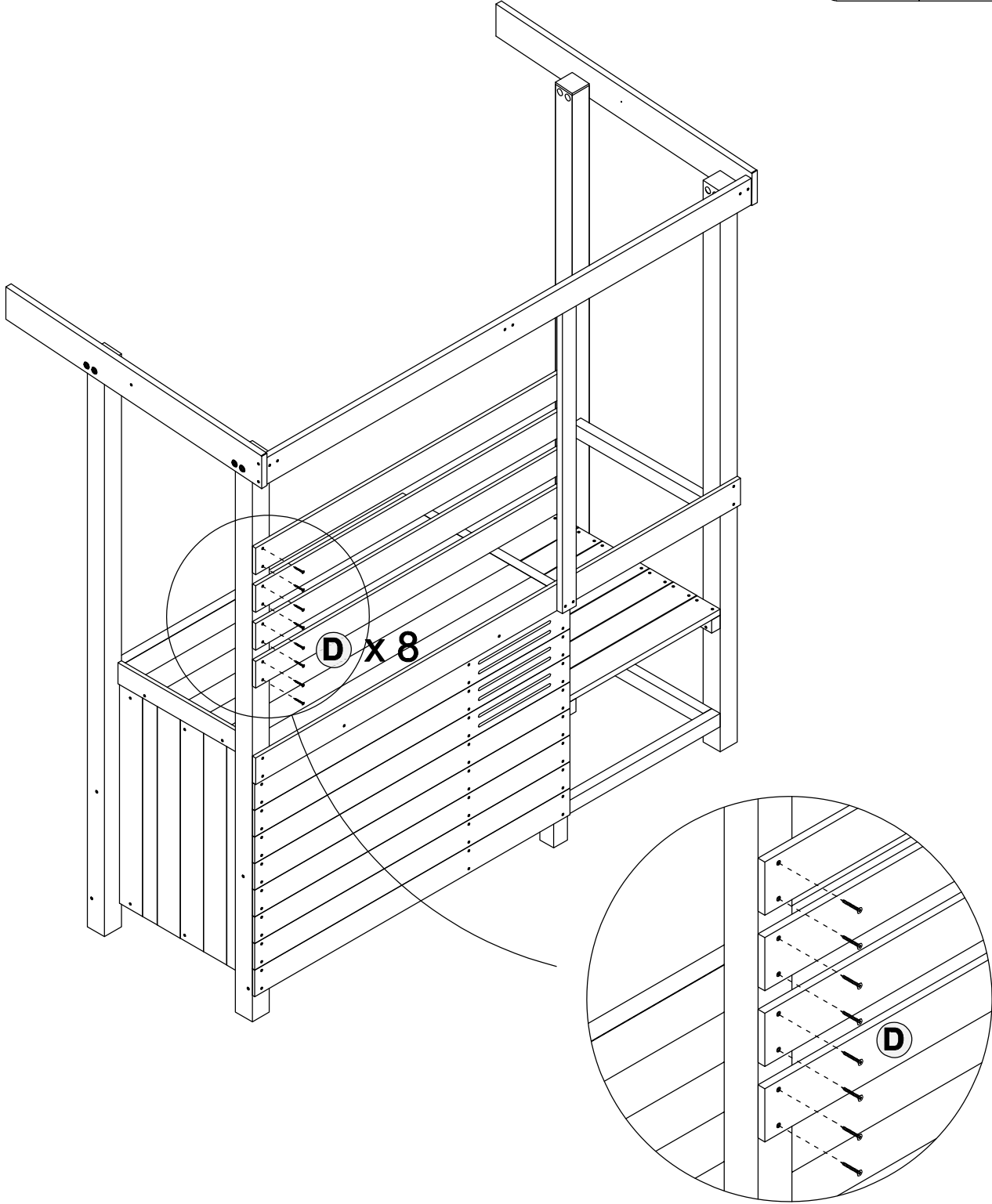
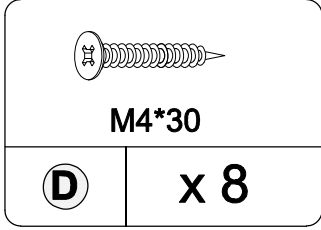
Pull up the strip
Qty: 4

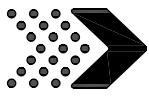


1. Use hardware D to pass through component 30 and install it towards the lead hole



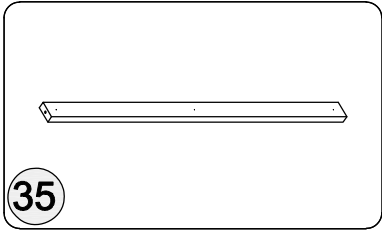
1. Use hardware D to pass through component 30 and install it towards the lead hole



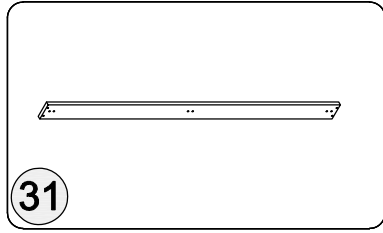


Top frame installation

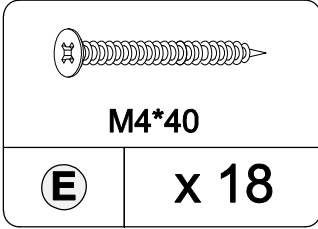
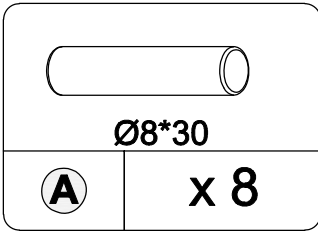
Step 24



35
Top pull strip
Qty: 3



31
Top front panel
Qty: 1



1. Connect with hardware A first, then install with hardware E

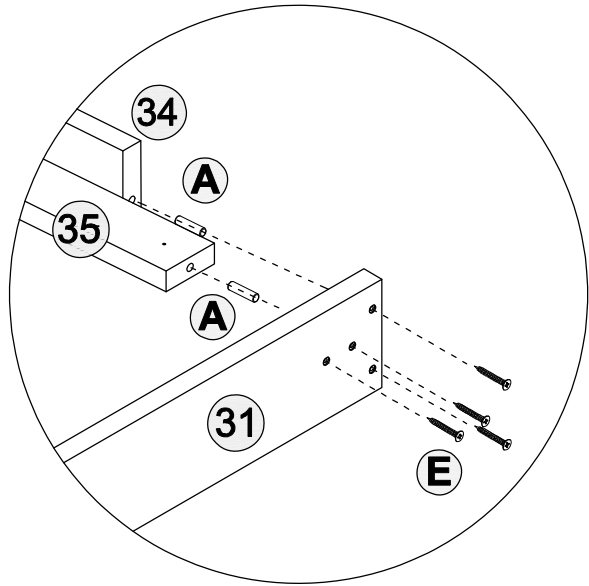
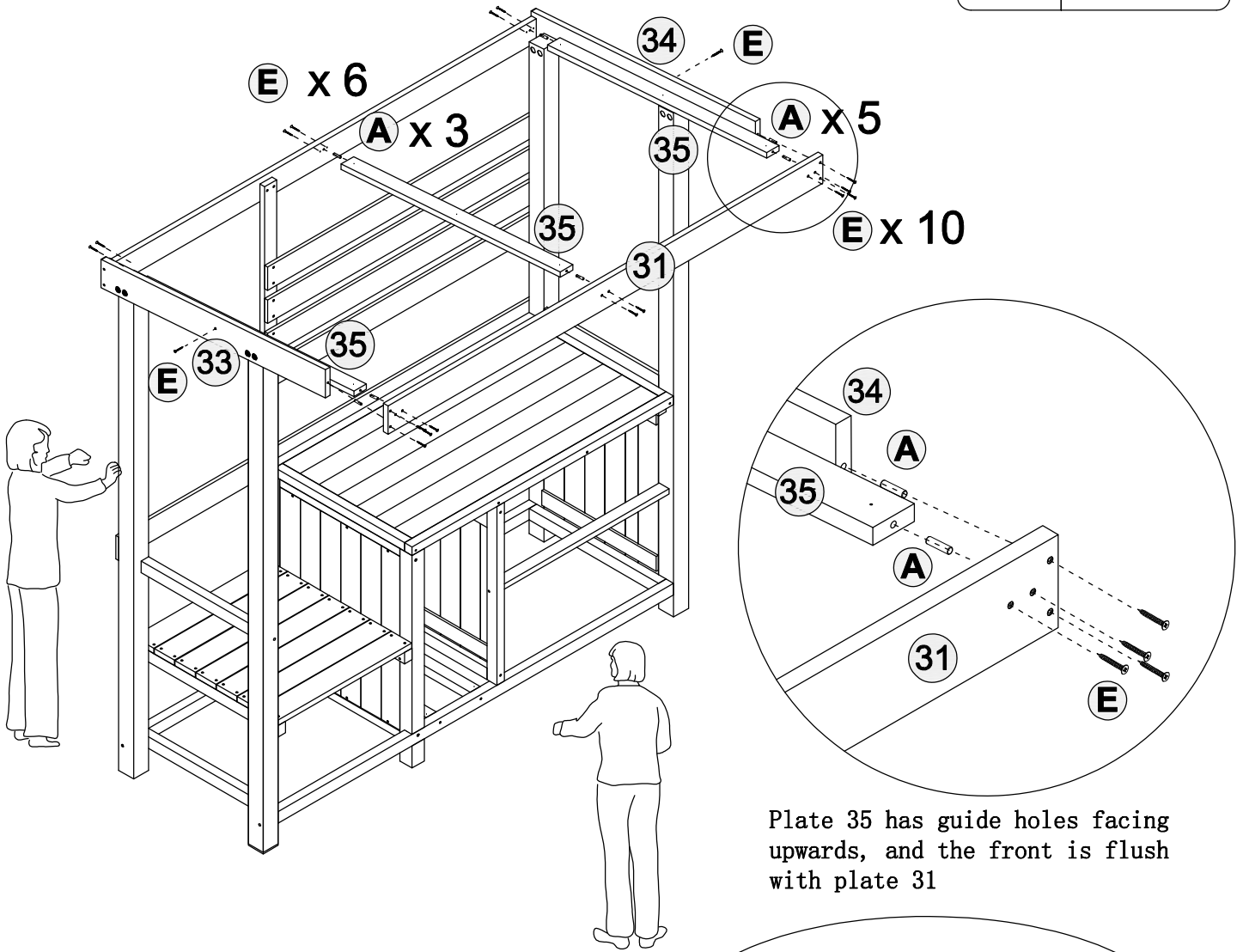
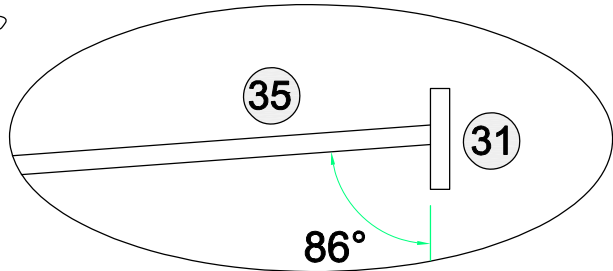
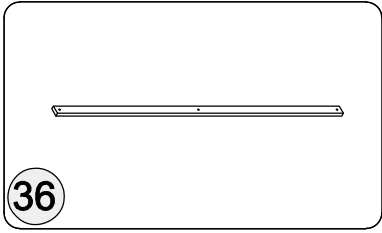
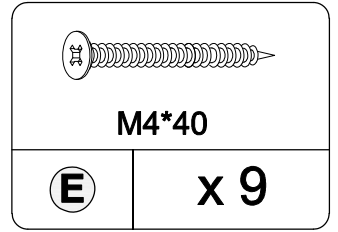


Plate 35 has guide holes facing upwards, and the front is flush with plate 31

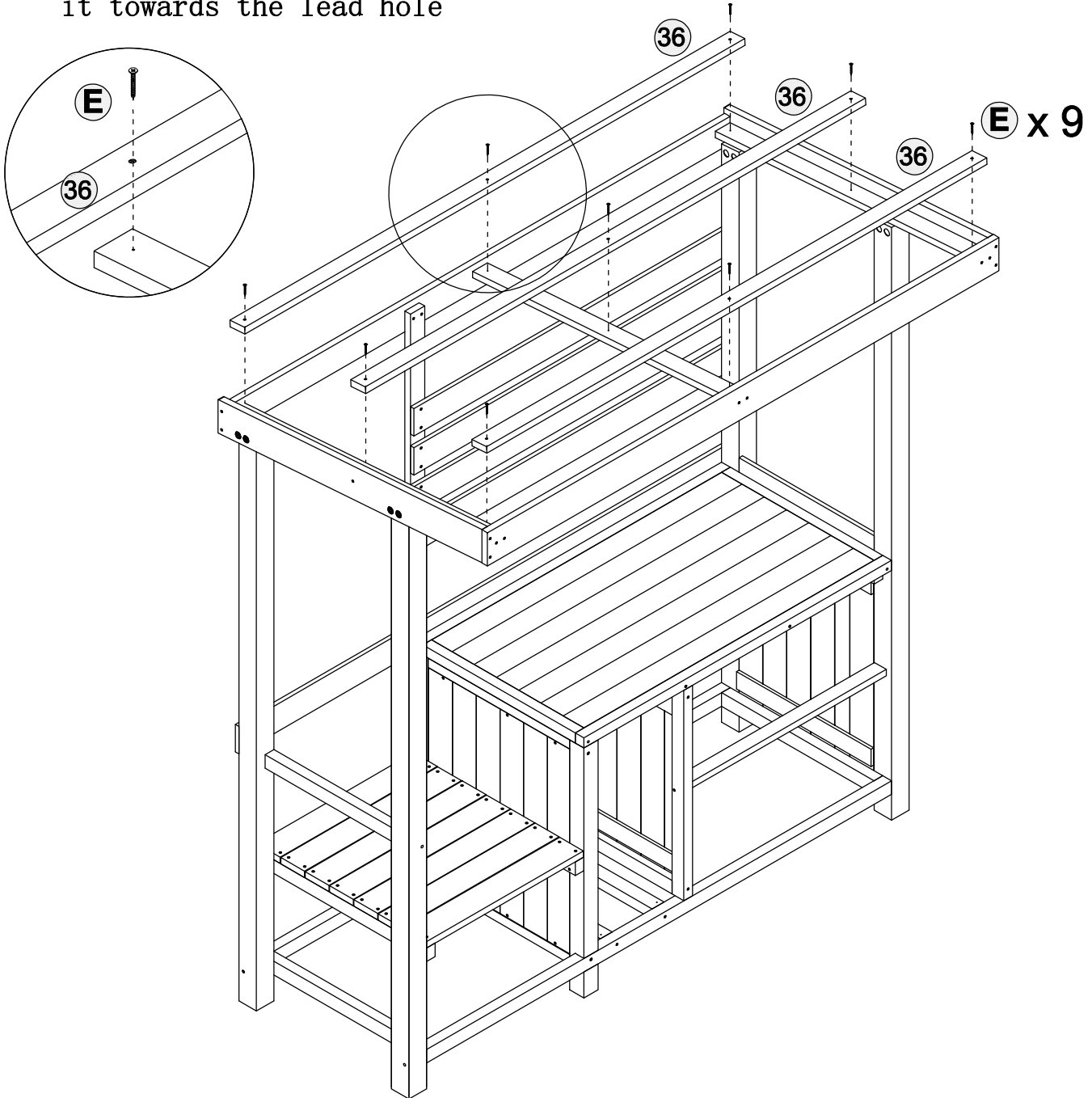


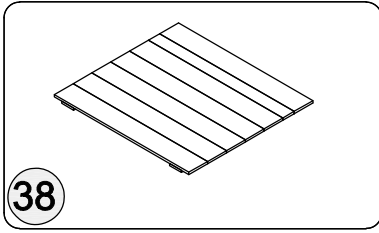
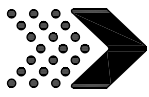


Top support strip
Qty: 3

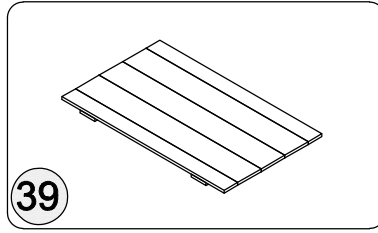


1. Use hardware E to pass through component 36 and install it towards the lead hole

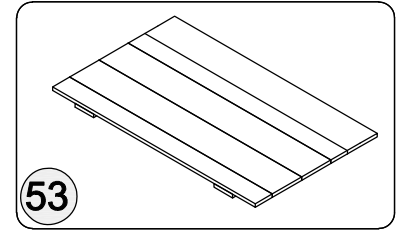




38
Left floor panel
Qty: 1

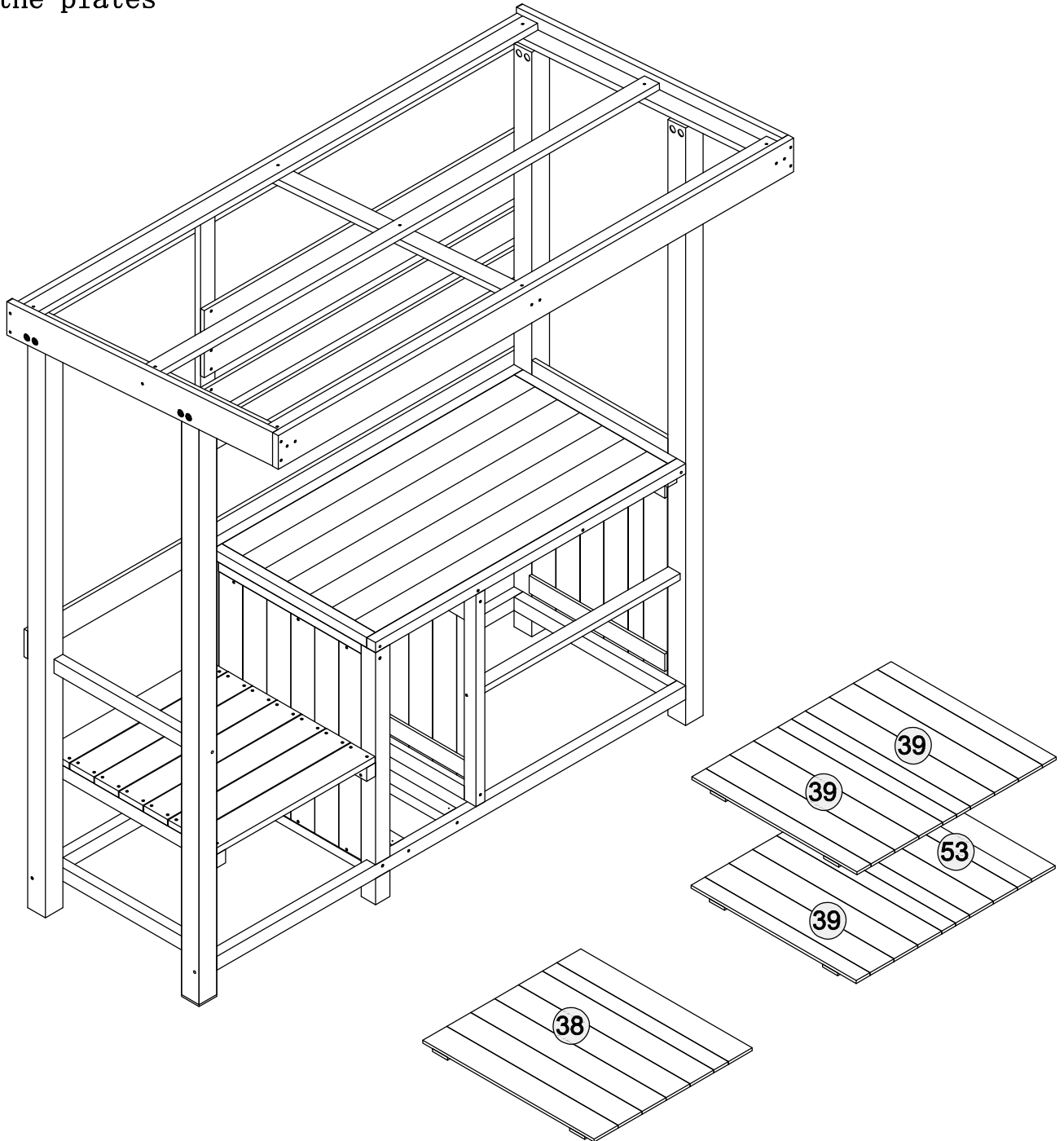


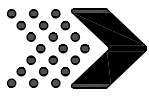
39
right plate
Qty: 3



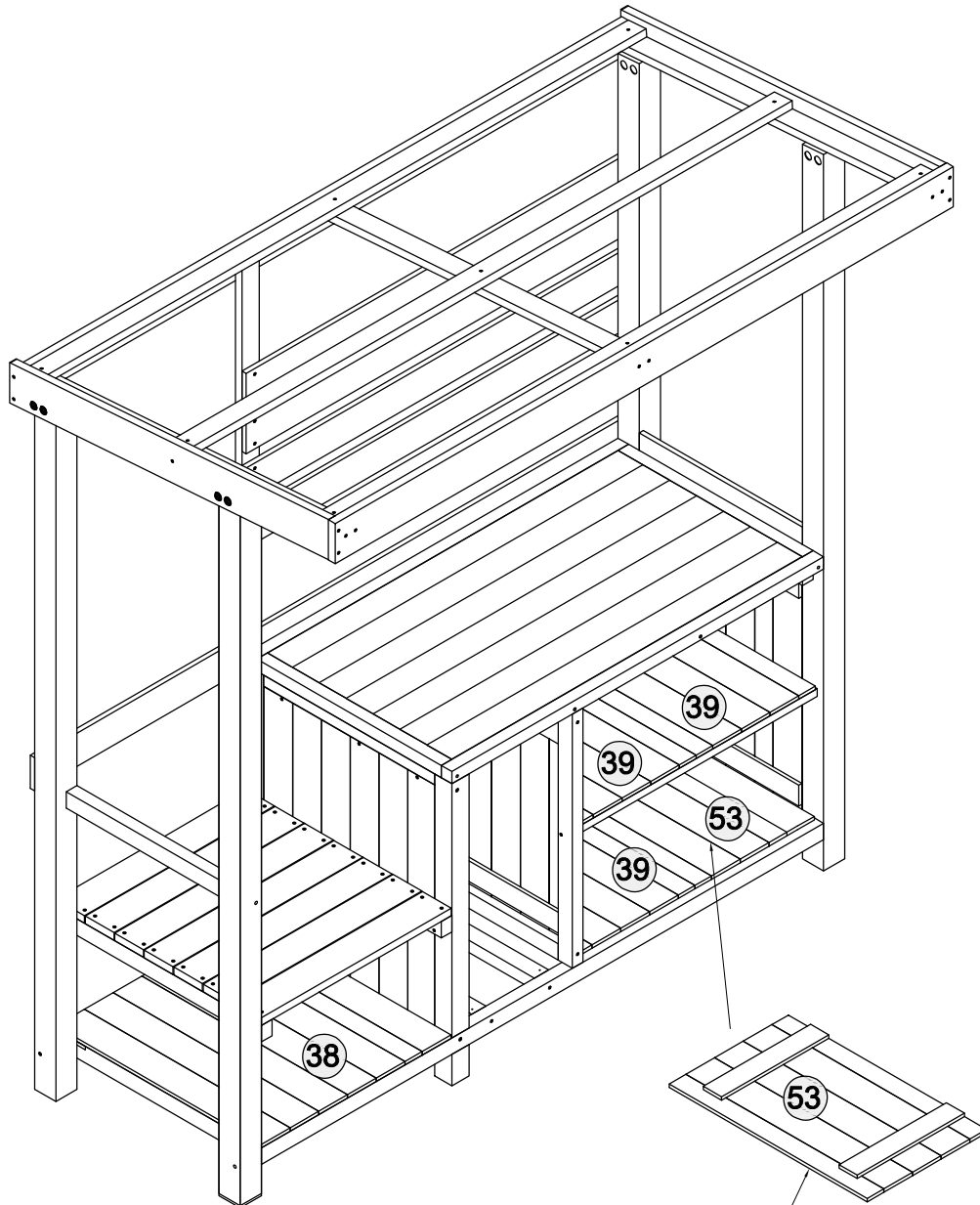
53
Right floor panel
Qty: 1

1. Equipment plates 38, 39, 53, pay attention to the position of the plates

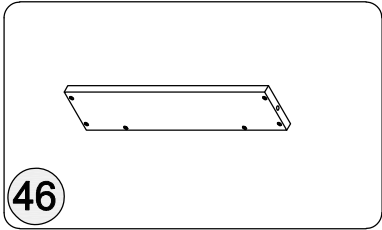




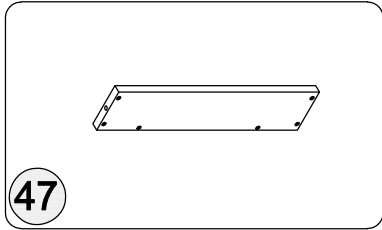
1. Place panels 38, 39, and 53, paying attention to their positions



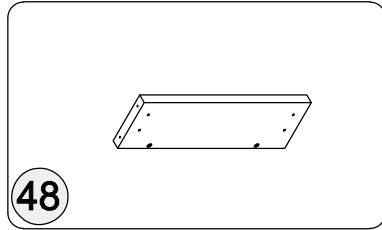
This way, by the pillar



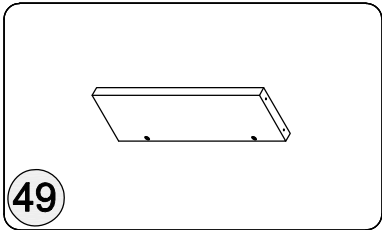
46
Left side extraction
Qty: 1



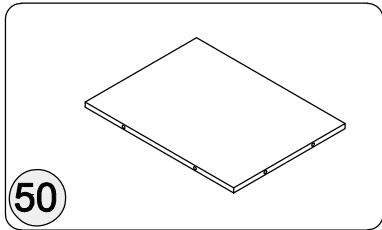
47
right side extraction
Qty: 1



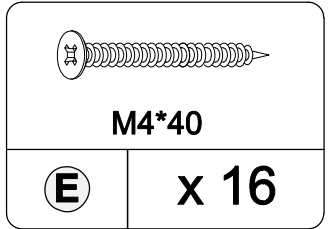
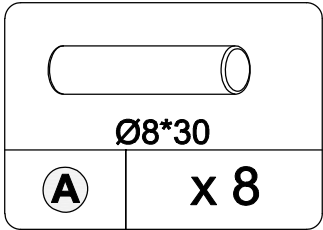
48
Draw the front board
Qty: 1



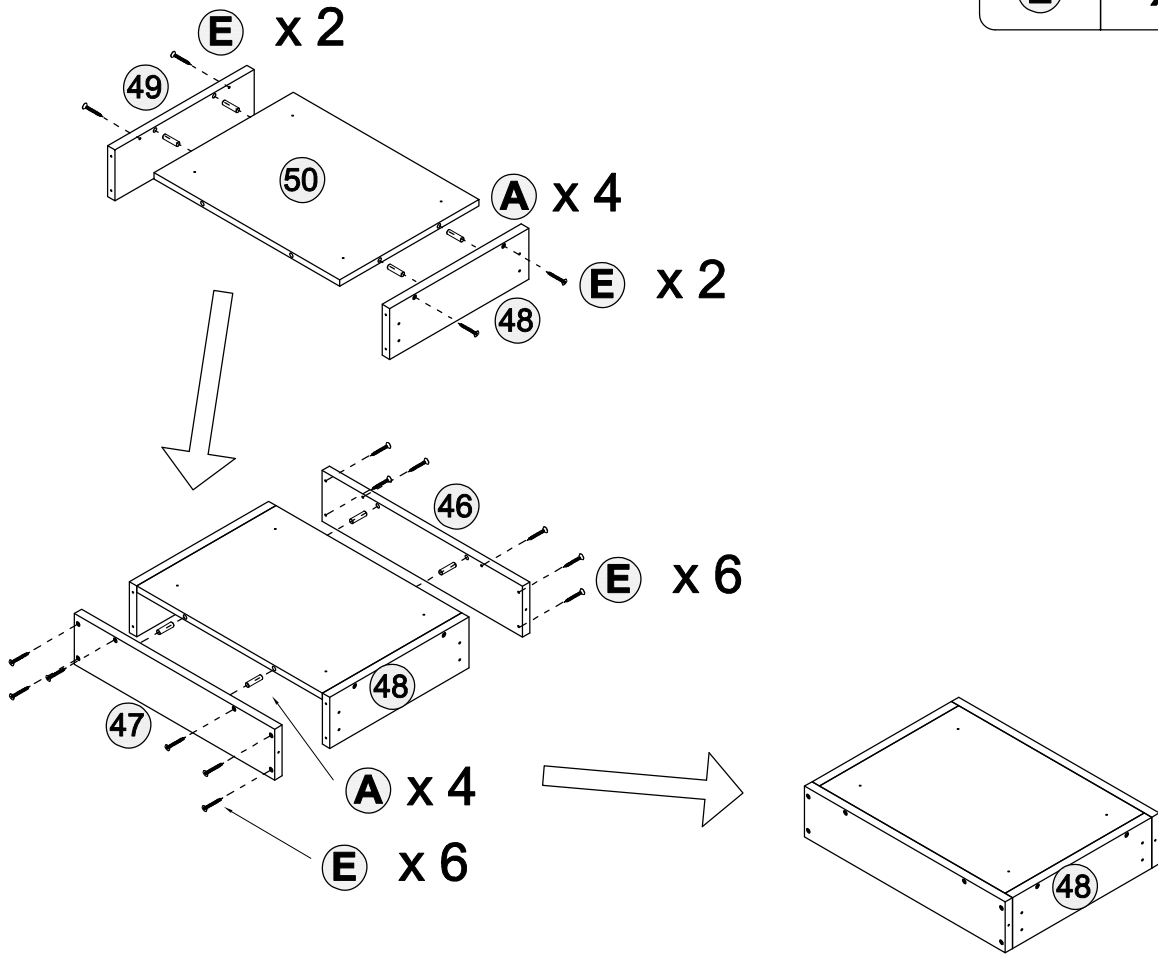
49
Pull back plate
Qty: 1




50
Pull the bottom plate
Qty: 1

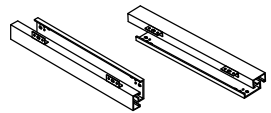



1. Connect with hardware A first, then install with hardware E

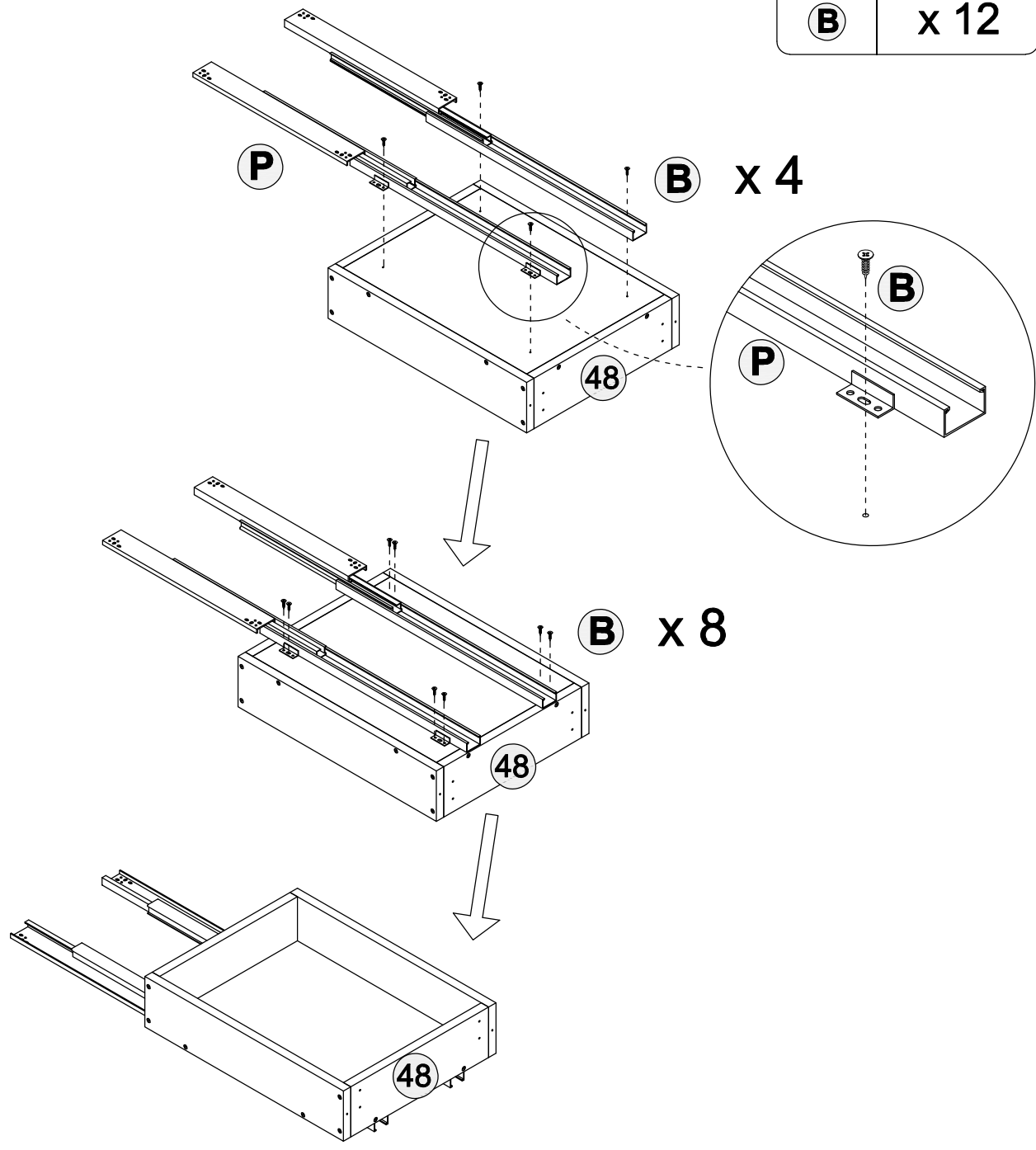


1. Pre-install the hardware B for the pilot hole, and then install the other holes of the hardware B.


 2. Please note that the hole positions of the pilot holes must be aligned


| | |
|---|------------|
|  | |
| P | x 1 |

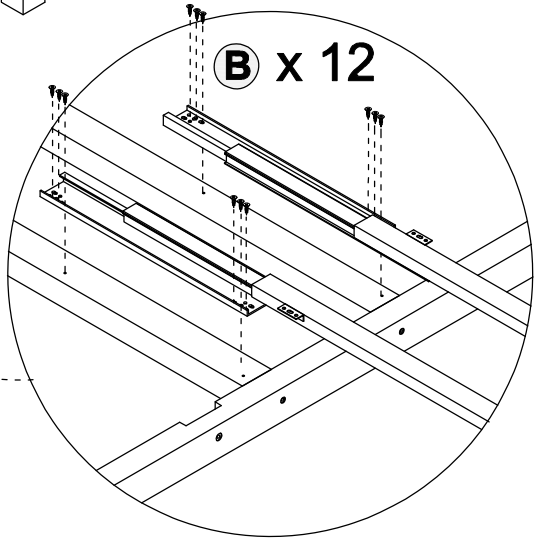
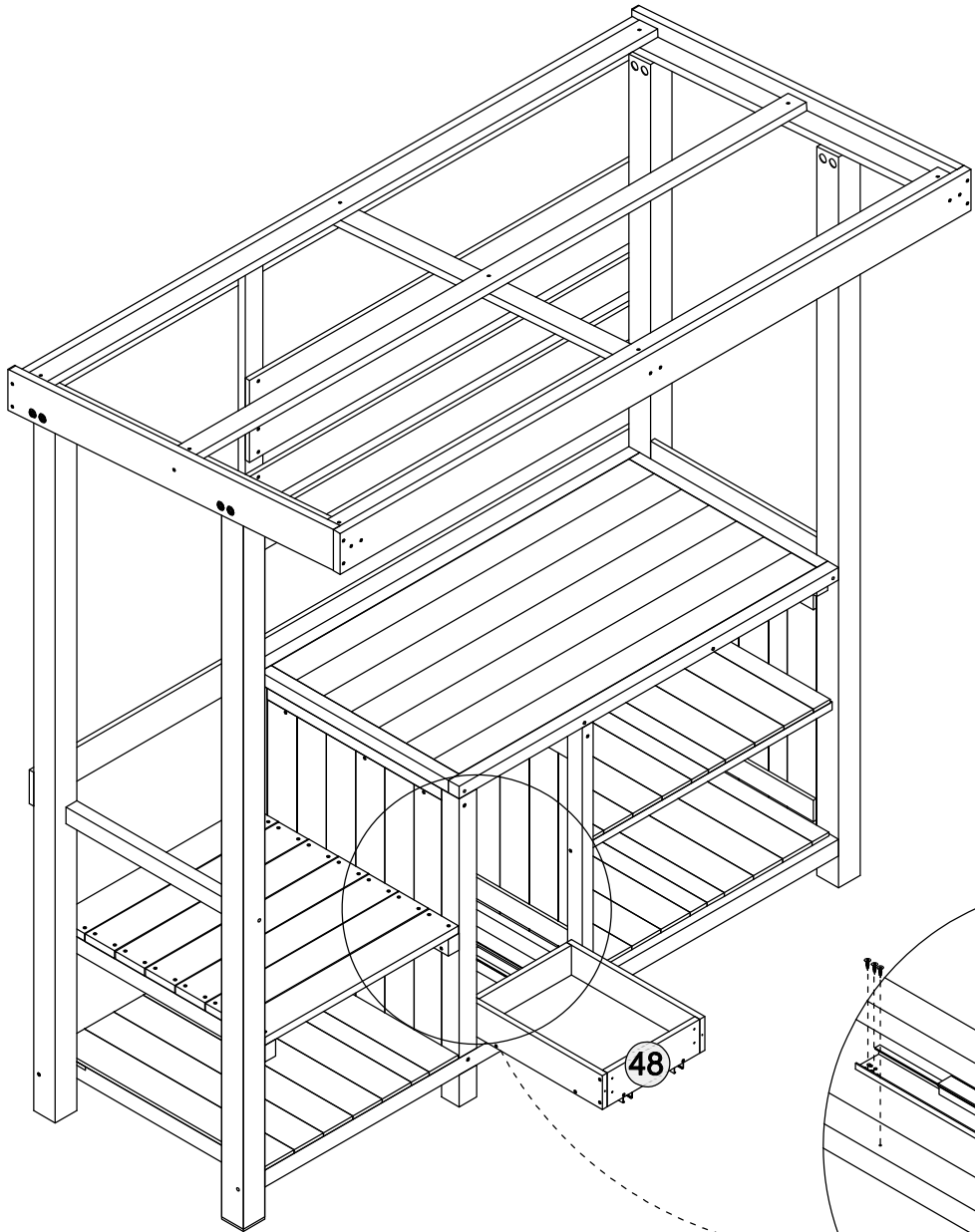
| | |
|---|-------------|
|  | |
| M3*16 | |
| B | x 12 |

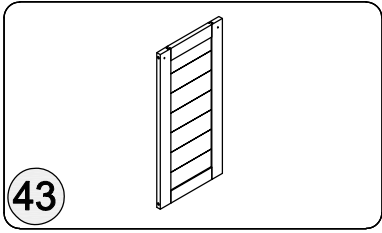


1. Pre-install the hardware B for the pilot hole, and then install the other holes of the hardware B.

 2. Please note that the hole positions of the pilot holes must be aligned

| | |
|---|-------------|
|  | |
| M3*16 | |
| B | x 12 |

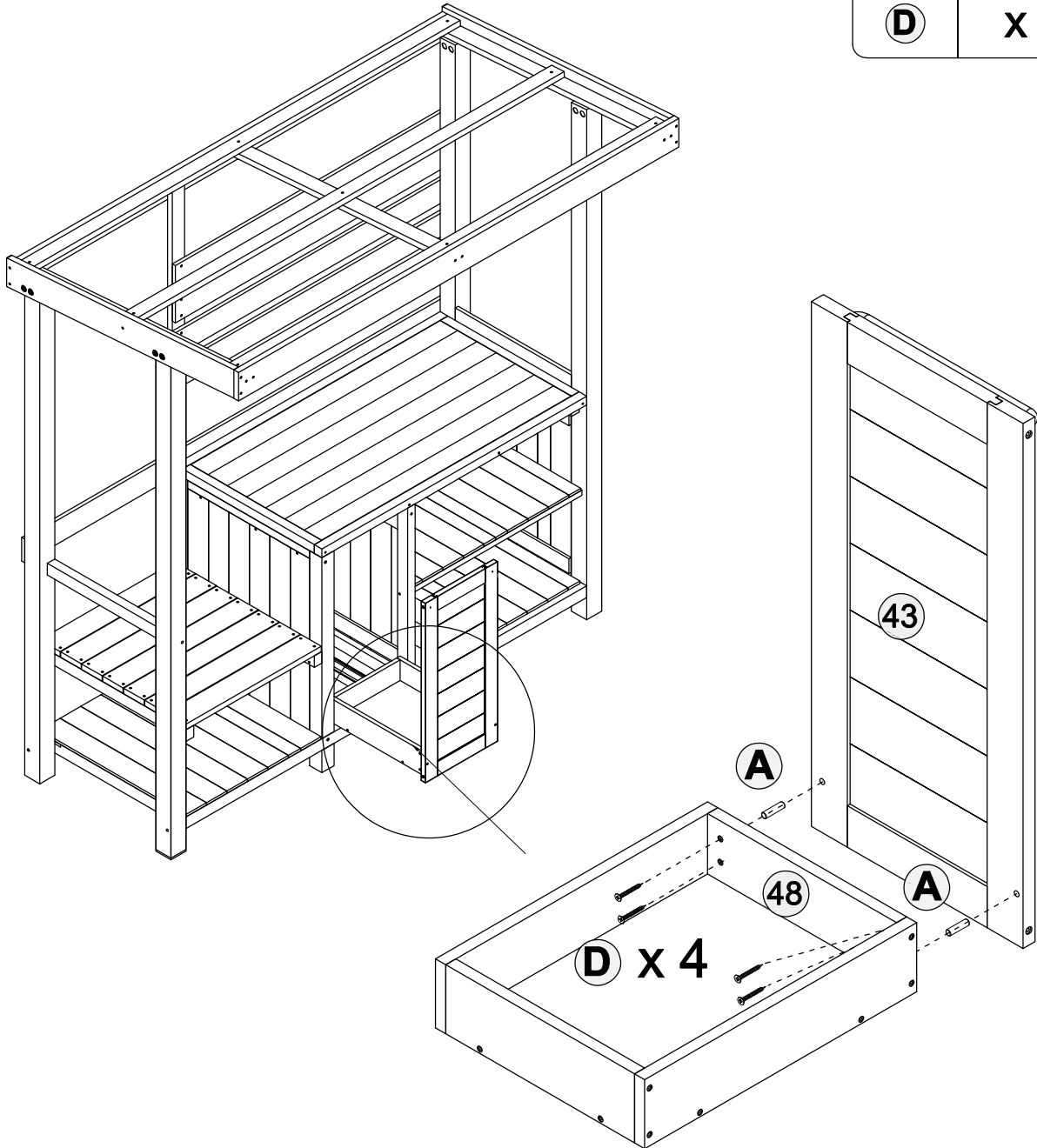
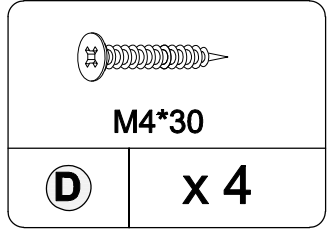
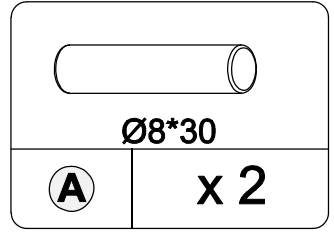





panel extraction

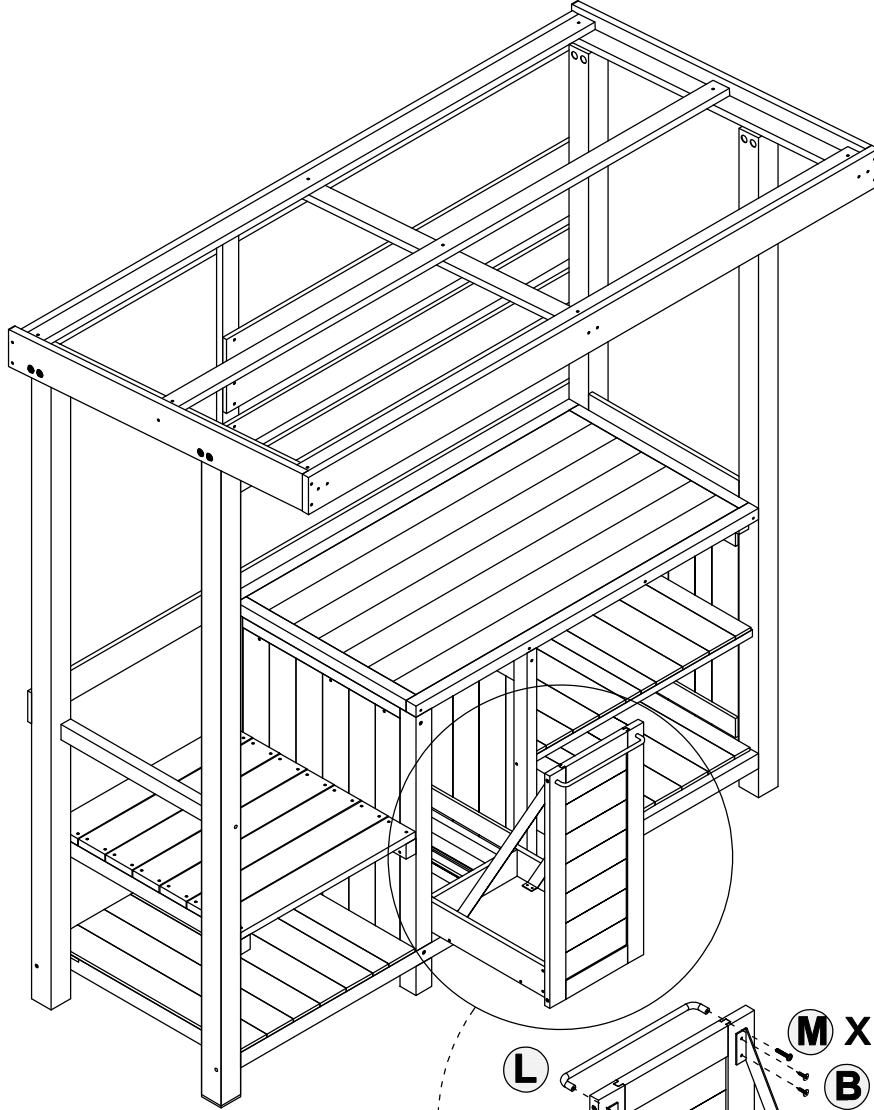
Qty: 1

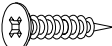
1. Connect with hardware A first, then install with hardware D

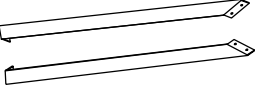



1. Pre-install the hardware B for the pilot hole, and then install the other holes of the hardware B.


 2. Please note that the hole positions of the pilot holes must be aligned

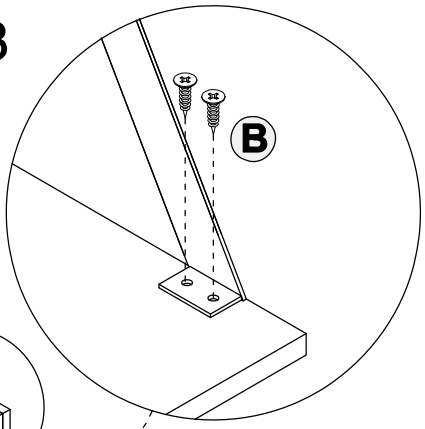
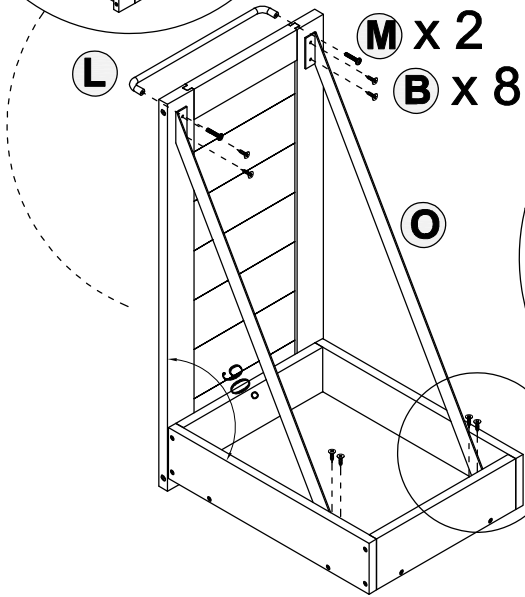


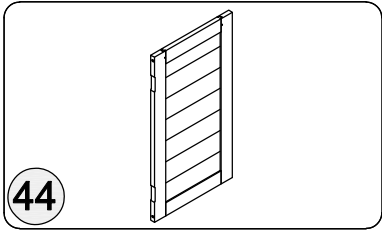
| | |
|---|------------|
|  | |
| M3*16 | |
| B | x 8 |

| | |
|---|------------|
|  | |
| O | x 1 |

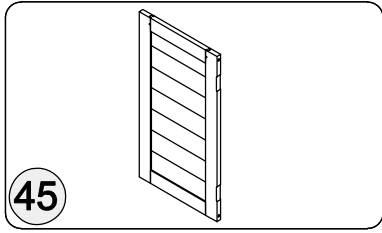
| | |
|---|------------|
|  | |
| L | x 1 |

| | |
|--|------------|
|  | |
| M4*25 | |
| M | x 2 |

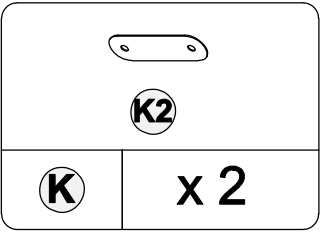
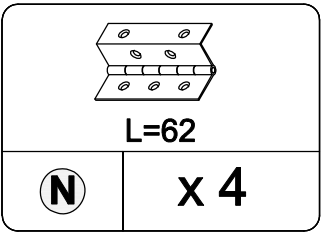
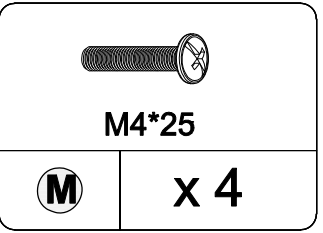
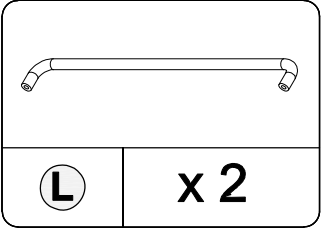
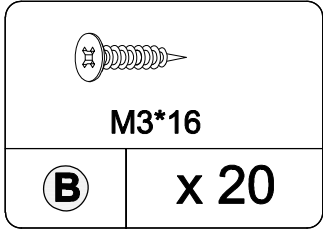




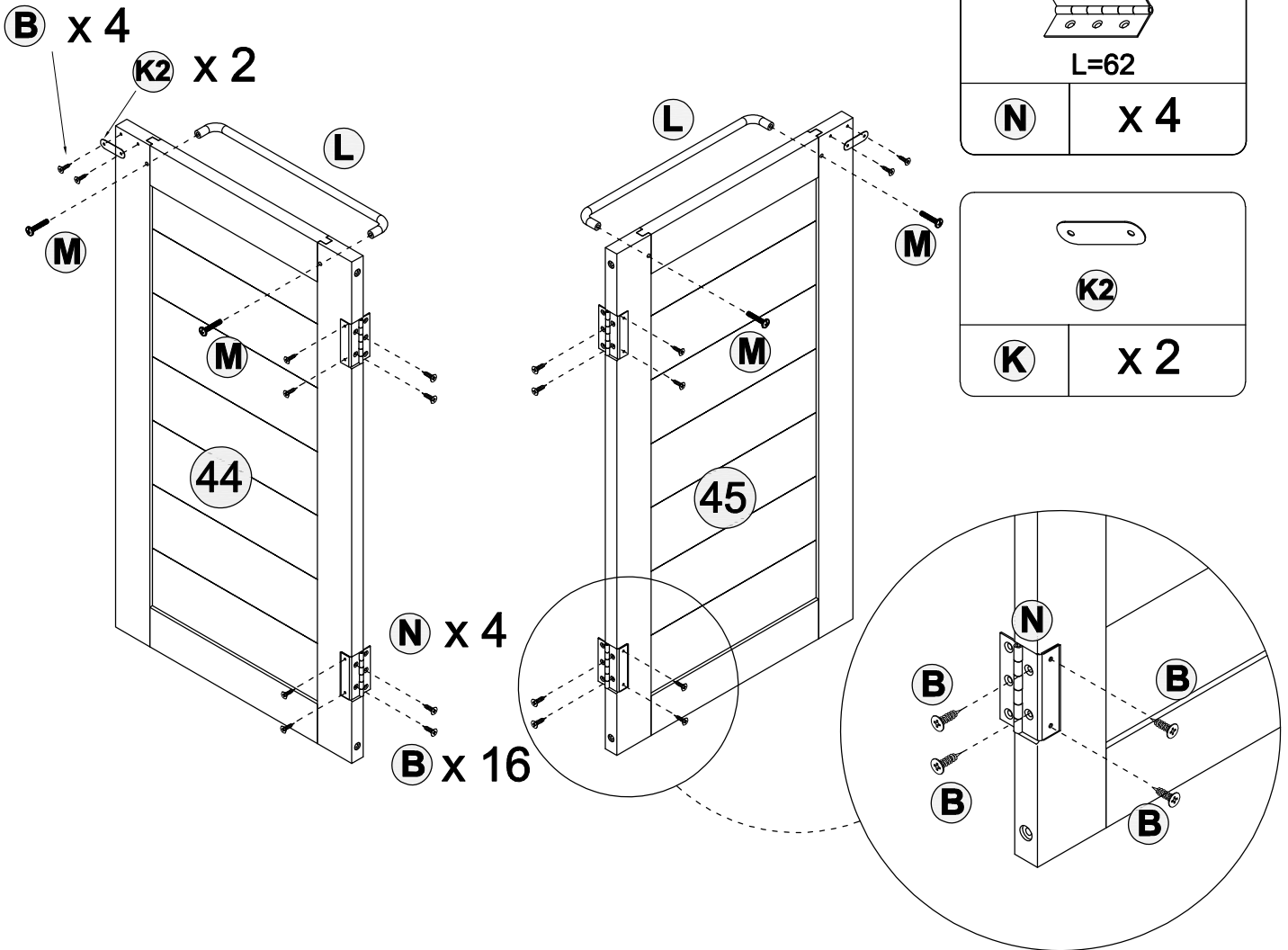
left door panel
Qty: 1



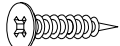
right door panel
Qty: 1




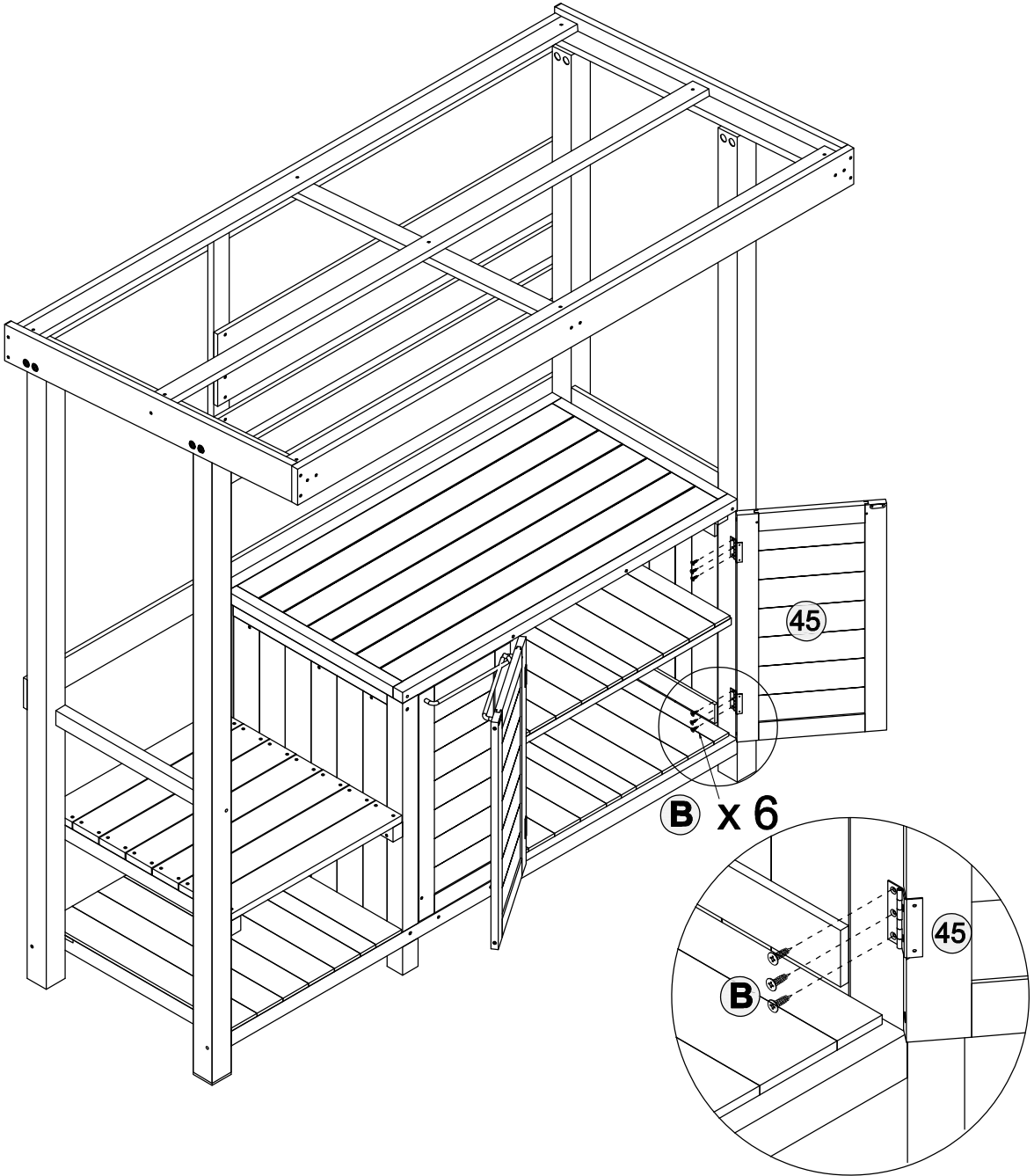
1. Pre-install the hardware B for the pilot hole, and then install the other holes of the hardware B.
- ⚠ 2. Please note that the hole positions of the pilot holes must be aligned

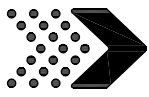


1. Pre-install the hardware B for the pilot hole, and then install the other holes of the hardware B.

| | |
|---|------------|
|  | |
| M3*16 | |
| B | x 6 |

 2. Please note that the hole positions of the pilot holes must be aligned

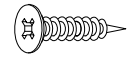




1. Pre-install the hardware B for the pilot hole, and then install the other holes of the hardware B.



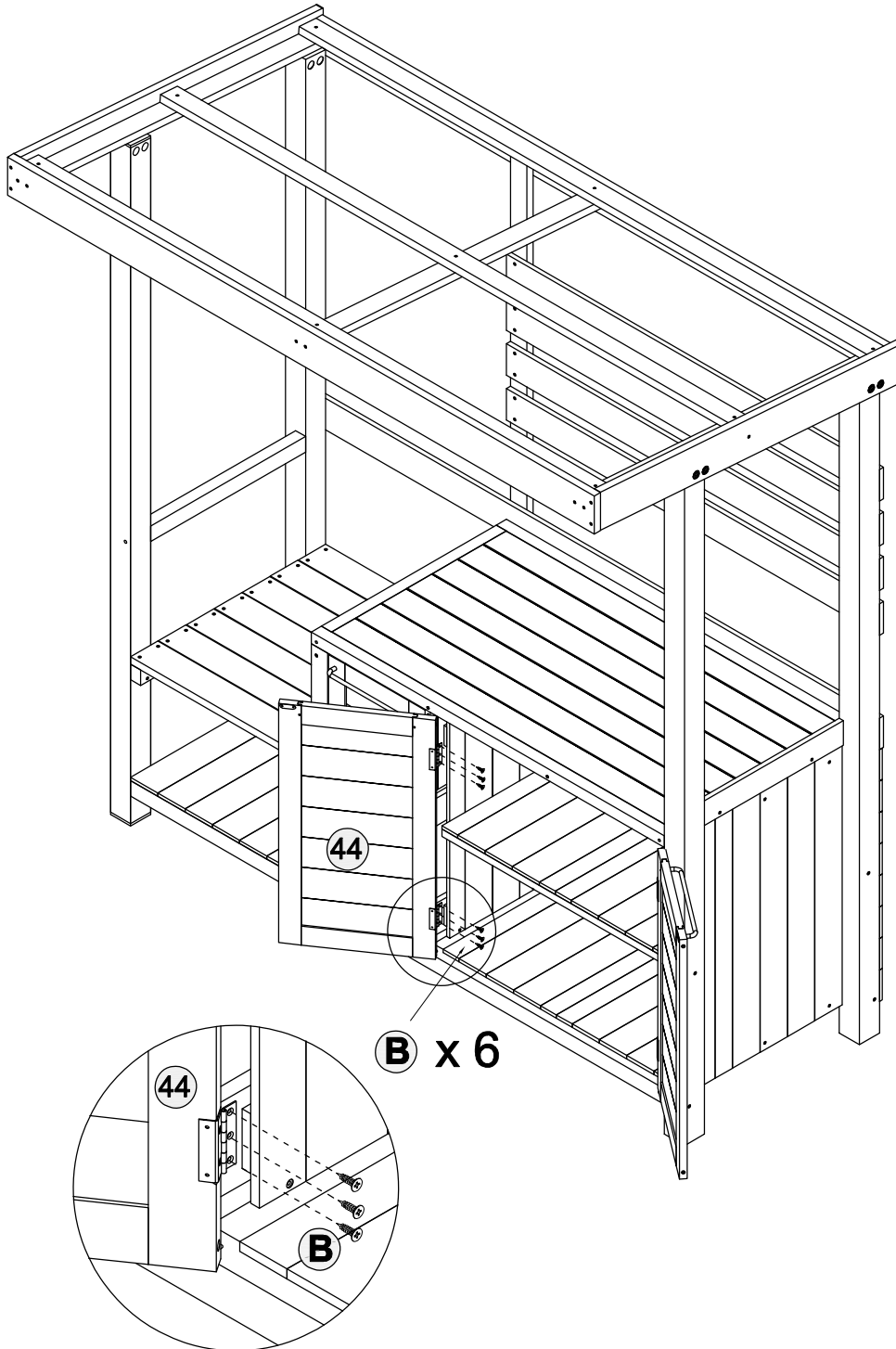
2. Please note that the hole positions of the pilot holes must be aligned

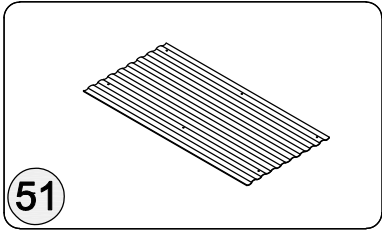


M3*16

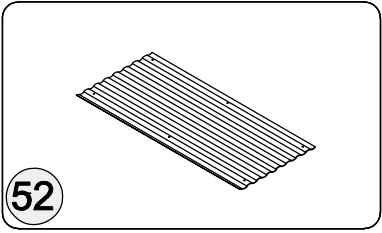
B

x 6

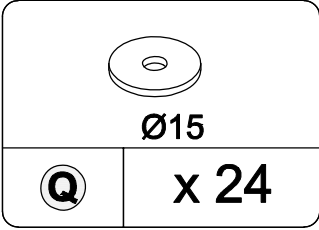
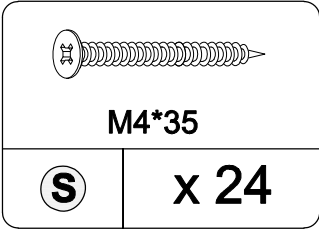





51
cover plate
Qty: 3

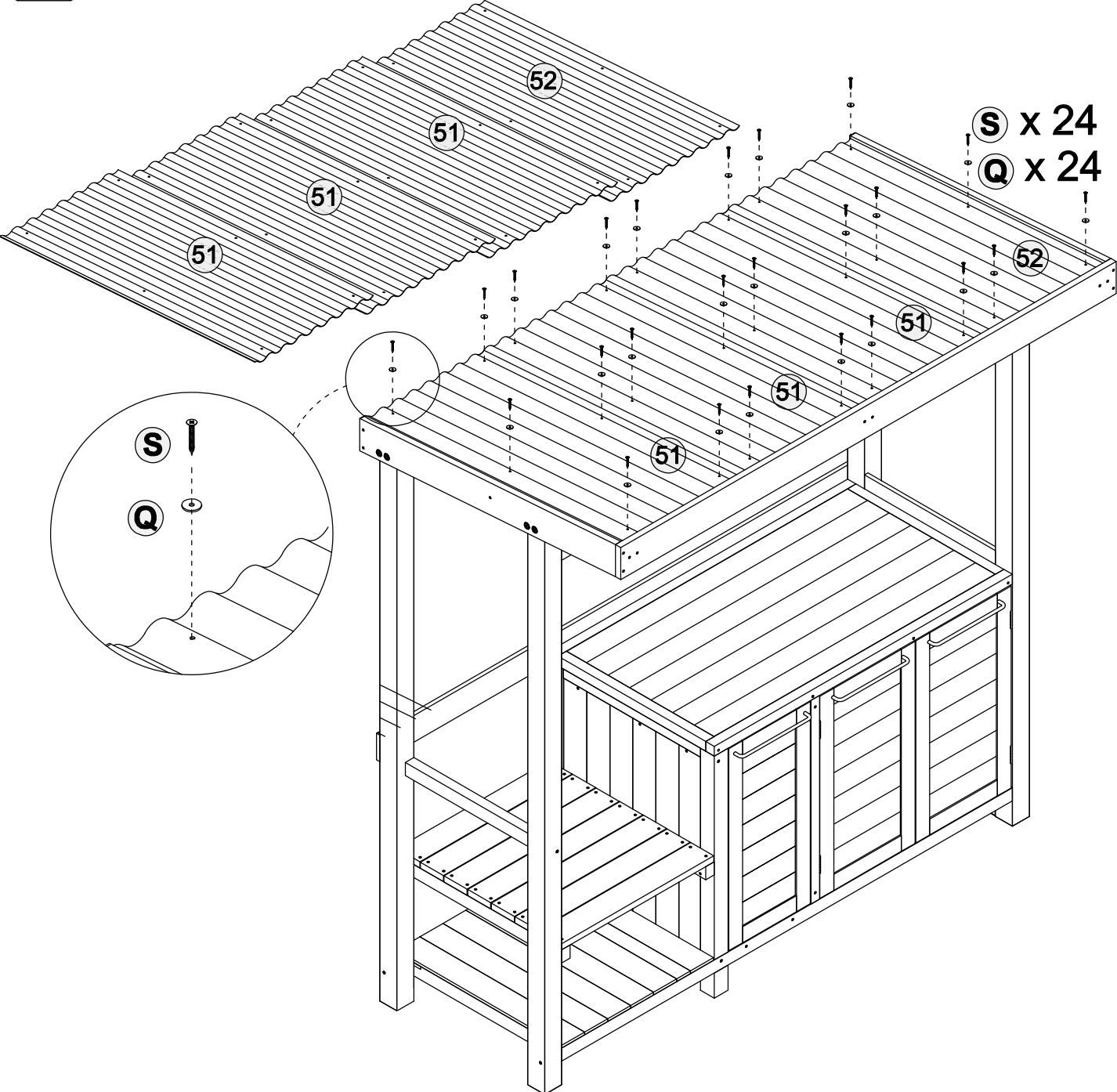


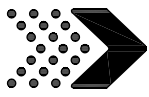
52
cover plate
Qty: 1



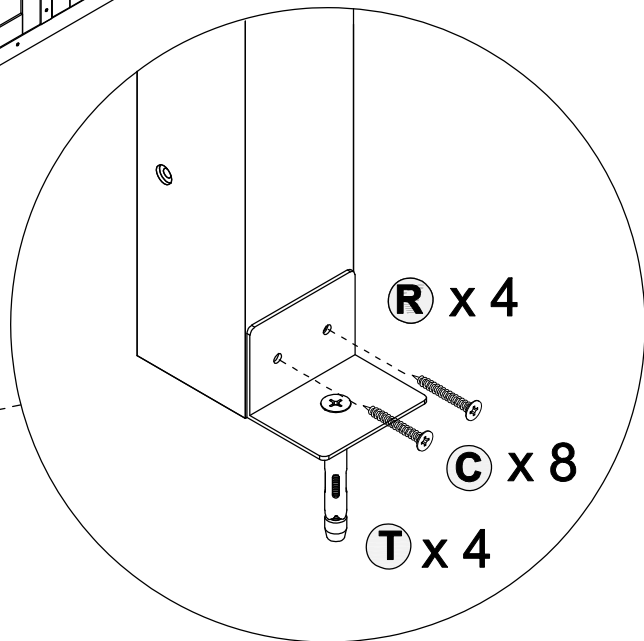
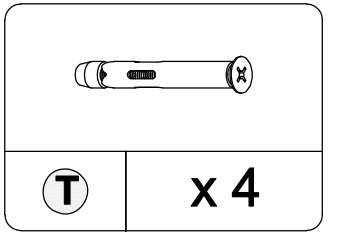
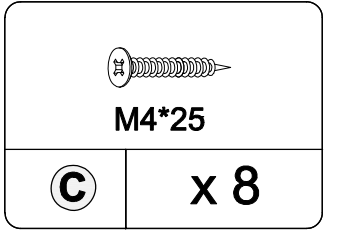
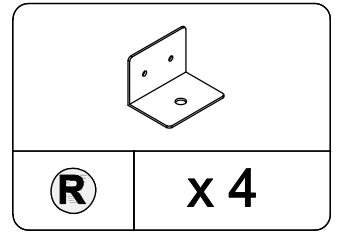
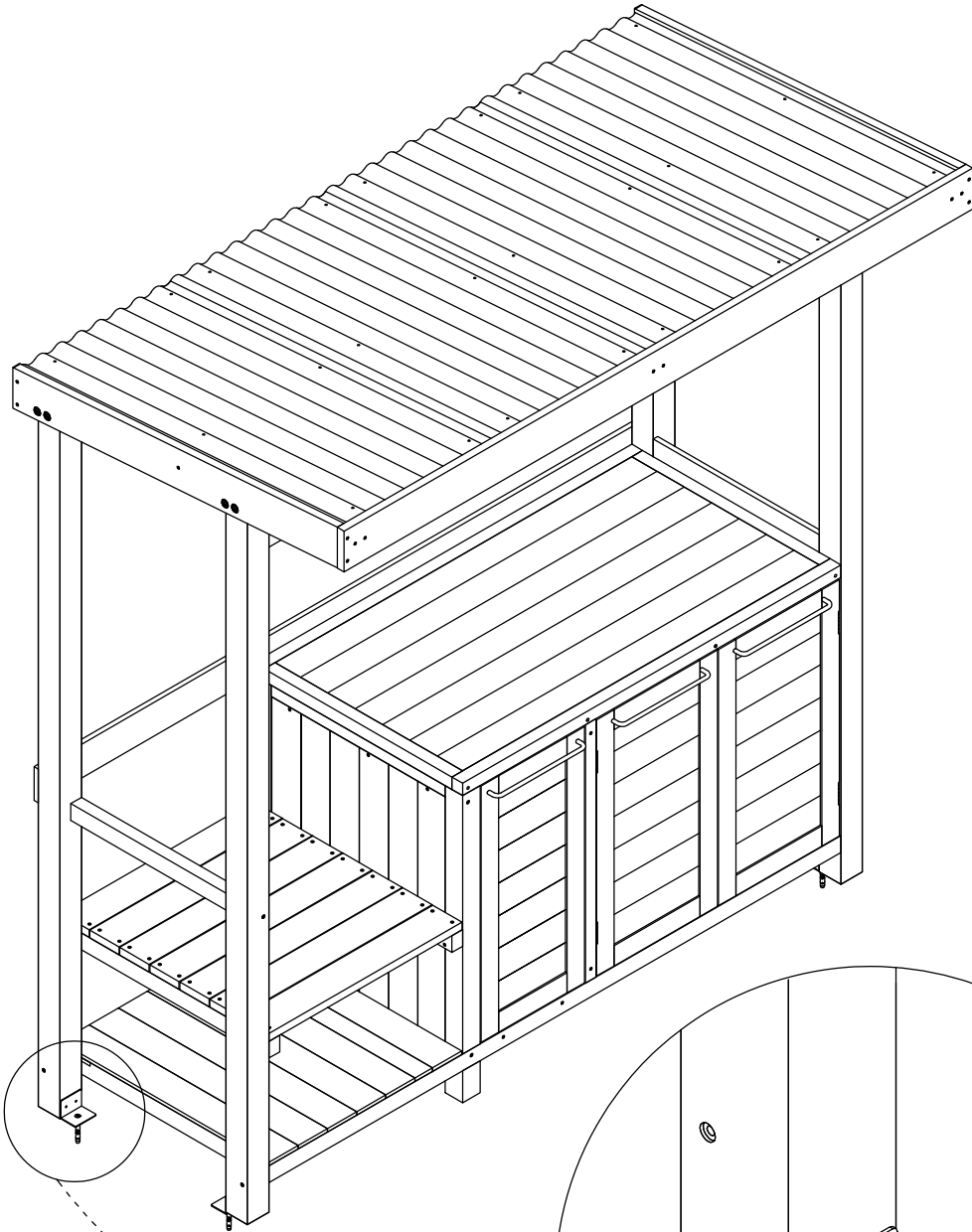
1. Starting from the left, press one side of the first piece with every two pieces, as shown in the diagram

 2. Pay attention to the hole on top





1. Use hardware C to pass through Hardware R and install it towards the lead hole
2. Use hardware T to pass through Hardware R and Installed underground



WARRANTY

WARRANTY CLAIMS

- There is a 30-day warranty for broken furniture or any other problems that do not work properly. The warranty will start from the date of purchase which must be verified by proof of purchase.
- Before making a claim, we may be able to answer your query, simply call us. Please leave your purchase order number, along with some details of the problem, if you want a replacement part. We will arrange within 48 hours. If there is out of stock, we will reply with a shipping date.
- The product must be used in accordance with the instructions provided. For health reasons.
- For other reasons, if the furniture needs to be returned, it must be cleaned and dried and operated within 30 days of receipt.

Type of Warranty Claim

- Failure to follow the furniture instructions will invalidate the warranty. Attention please.
- Does not include damage during installation, but includes damage during transportation.

Scope of responsibility

- Shall not bear any responsibility for misuse or user damage and / or loss of parts during the installation of furniture.
- After using, the damage and scratches of the furniture are not covered by the warranty.

The Warranty Relates to All Bought in The Us and Covers The Following Areas

- Sheet parts: 1 month from the date of purchase.
- Electrical parts: 1 month from the date of purchase.

RETURNS

CHANGED YOUR MIND AND NEED TO RETURN YOU ITEM?

PLEASE FOLLOW THE BELOW INSTRUCTIONS:

- If you have purchased and have simply changed your mind, follow the retailer's instructions for returns.

DEFECTIVE ITEMS

- If your item is defective in any way, i.e. it doesn't work but you can't identify why, in the first instance, please call us.

DAMAGED ITEMS

- If you receive an order with obvious shipping damage from the retailer, then we suggest the delivery is refused. If the delivery has been accepted and then shipping damage is found, please follow the specific instructions advised by the retailer.
In all circumstances please save all packaging material and paperwork for the order. Please be aware that if you dispose of packaging material or attempt to return the merchandise without contacting the fulfiller, you jeopardise your chances of making a claim, and you may not receive a credit for the return.

AFTER-SALES CONTACT



adelahu@fufugaga.com



208-820-0068
208-820-0799