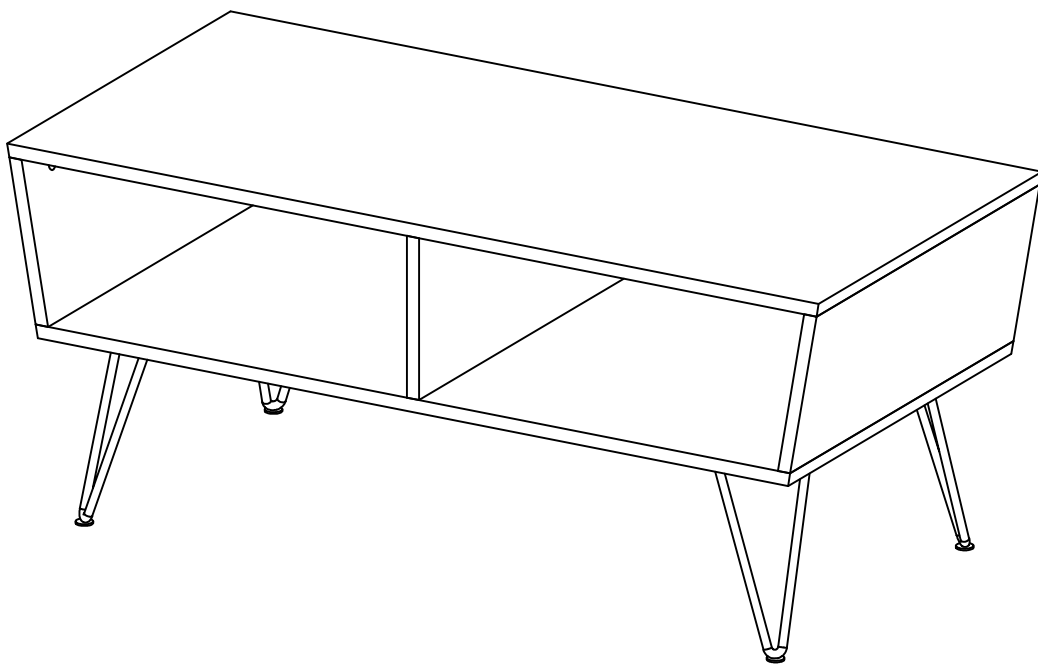
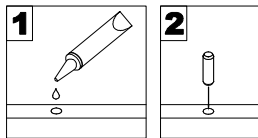


Assembly Instructions

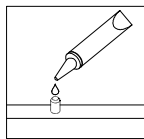


General Assembly Guidelines

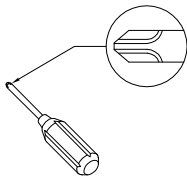
- I. Ensure that all parts and hardware are available before beginning assembly.
- II. Follow each step carefully to ensure the proper assembly of this product.
- III. Two people are recommended for ease in the assembly of this product.
- IV. The three main types of hardware used to assemble this product are : wood dowels , screws and bolts.
- V. The provided glue is to secure wood dowels in place . When first inserting dowels , locate the appropriate hole for the dowel , place a small amount of glue in the hole and insert the dowel . Wipe away excess glue immediately.



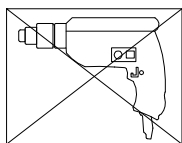
In future assembly steps when dowels are necessary to attach assembly parts together , place a small amount of glue on the end of the dowel before attaching parts together . Wipe away excess glue immediately.



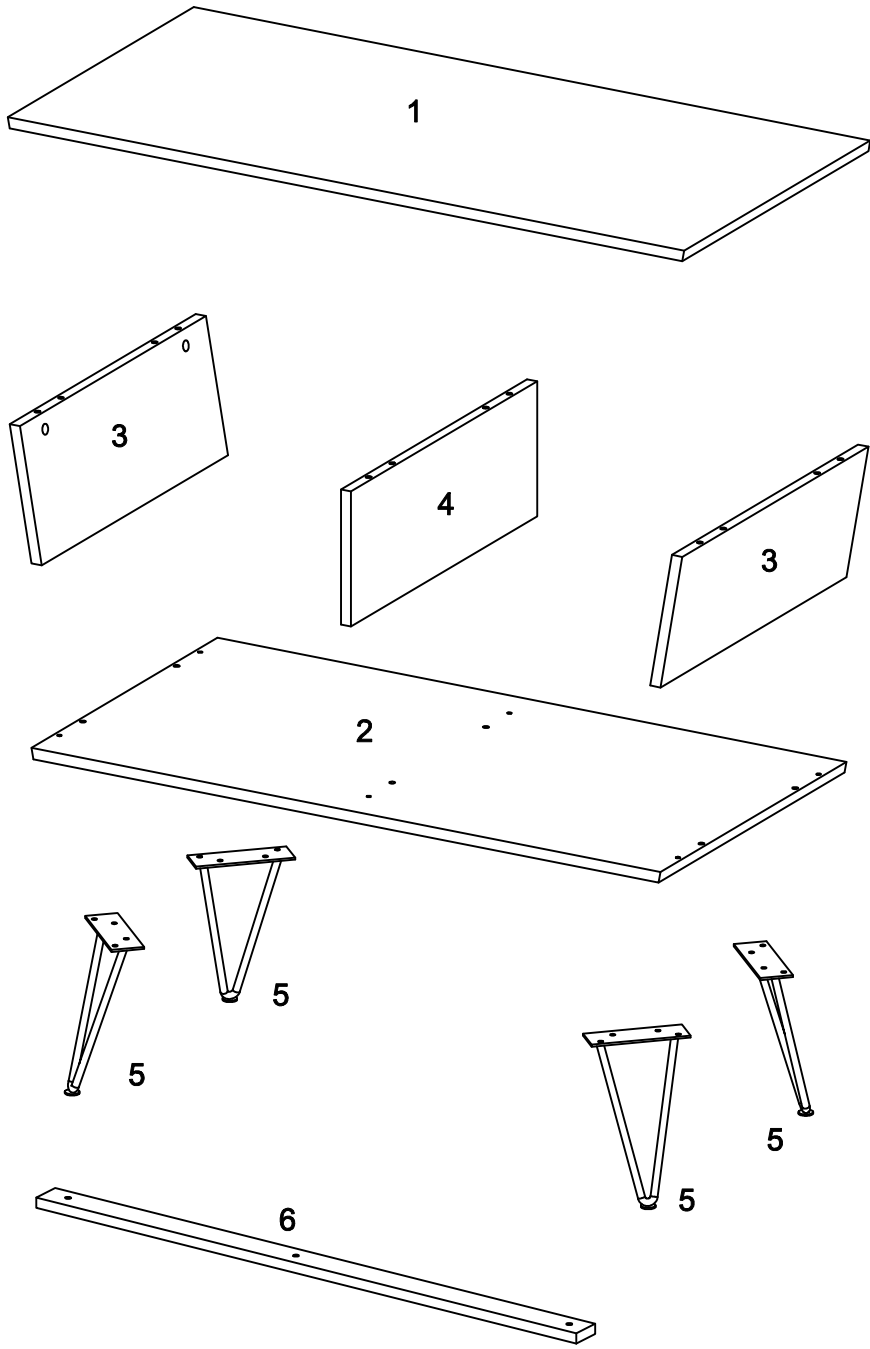
- VI. A Phillips head screwdriver is required for the assembly of this product .






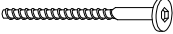





- VI. Power tools should not be used to assemble this product .

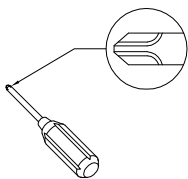


Parts List



Hardware List

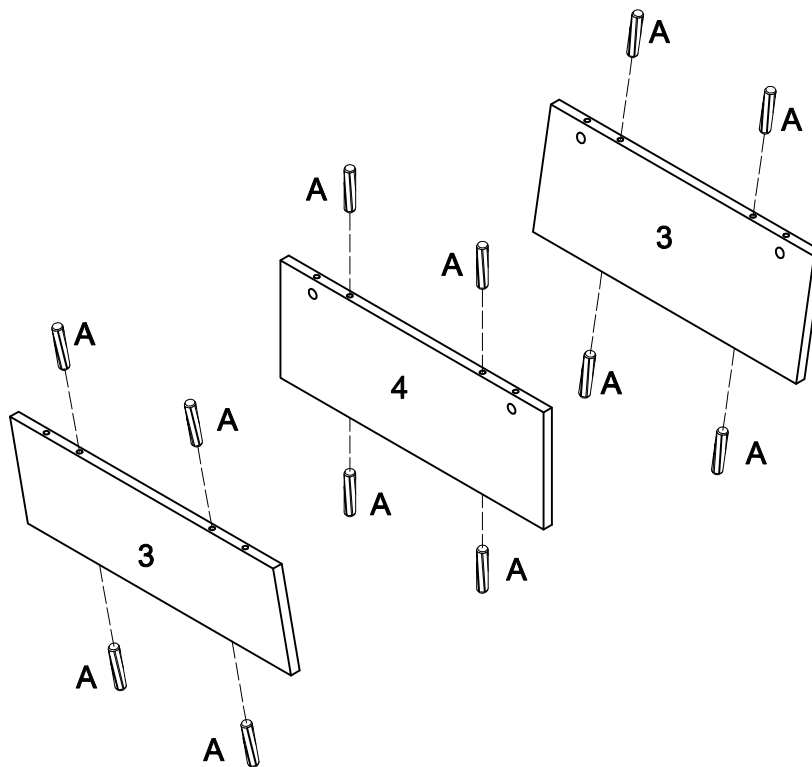
A		Ø8x30mm	Wooden dowel	12 pcs
B		Ø6x35mm	Cam bolt	6 pcs
C		Ø15x11mm	Cam lock	6 pcs
D		Ø6x50mm	Bolt	6 pcs
E		Ø6x25mm	Bolt	3 pcs
F		Ø6x12mm	Bolt	16 pcs
G		M4	Hex Key	1 pc
H			Glue tube	1 pc
J		Ø30	Sticker	6 pcs



**Philips head screwdriver required for assembly
(not included)**

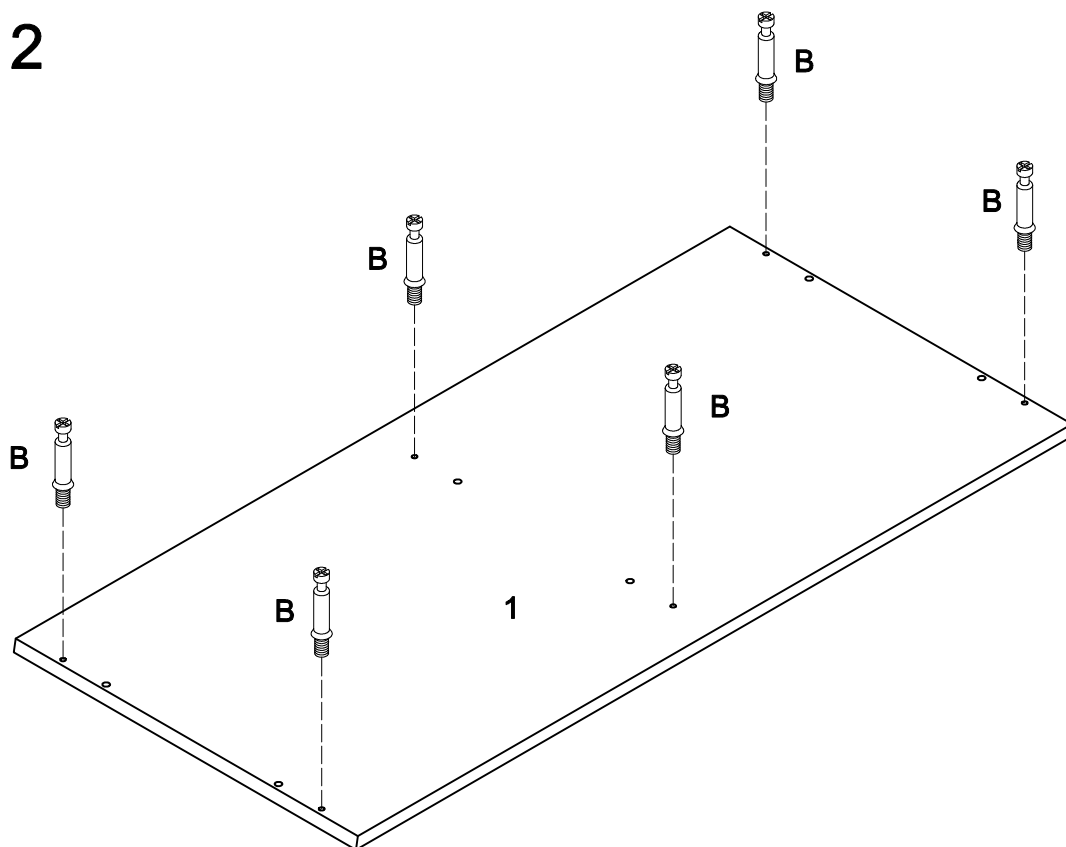
*The hardware quantities listed above are required for proper assembly.
Some extra hardware may also have been included.*

Step 1



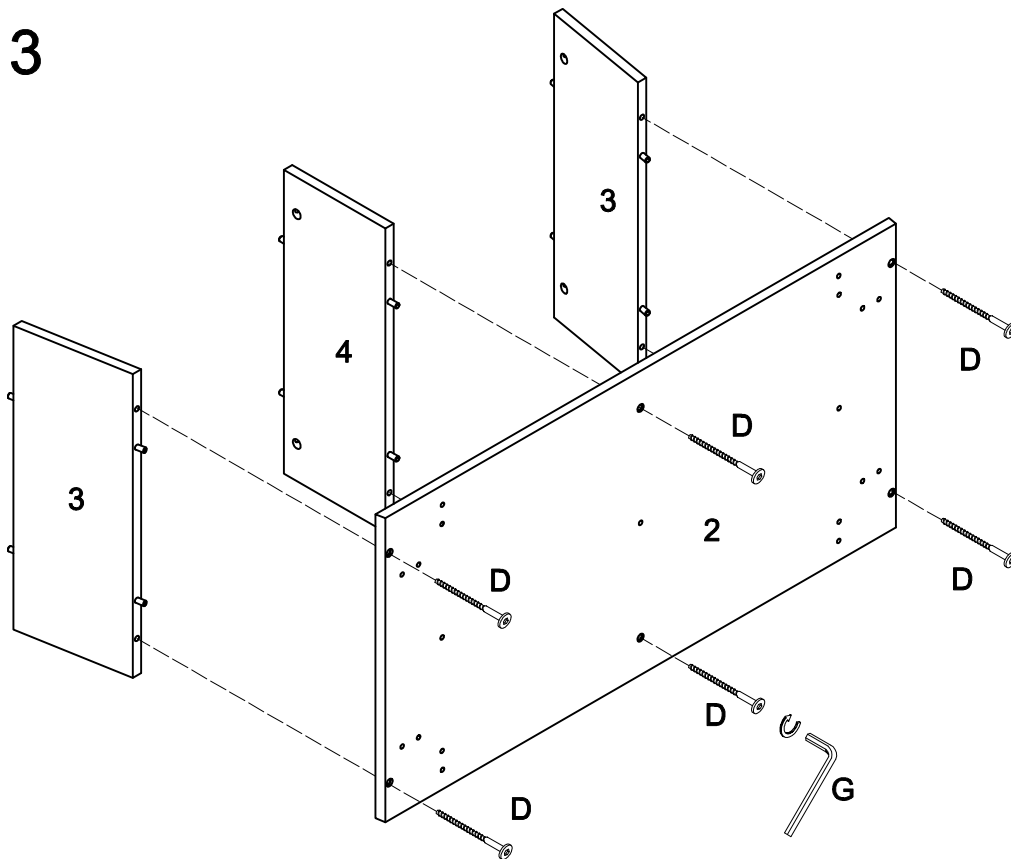
Insert wooden dowel (A) into part (3,4).

Step 2



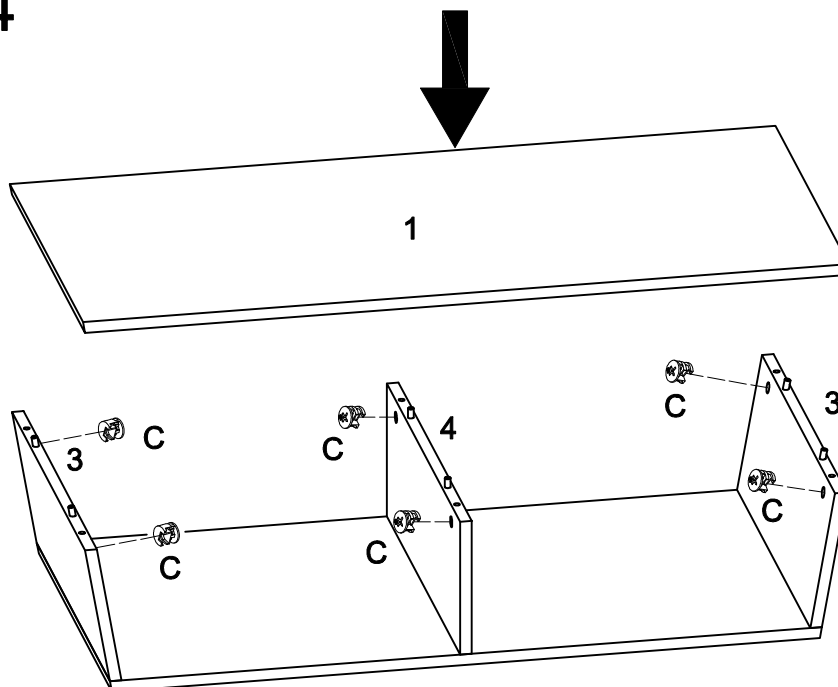
Attach cam bolt (B) to part (1) with screwdriver.

Step 3



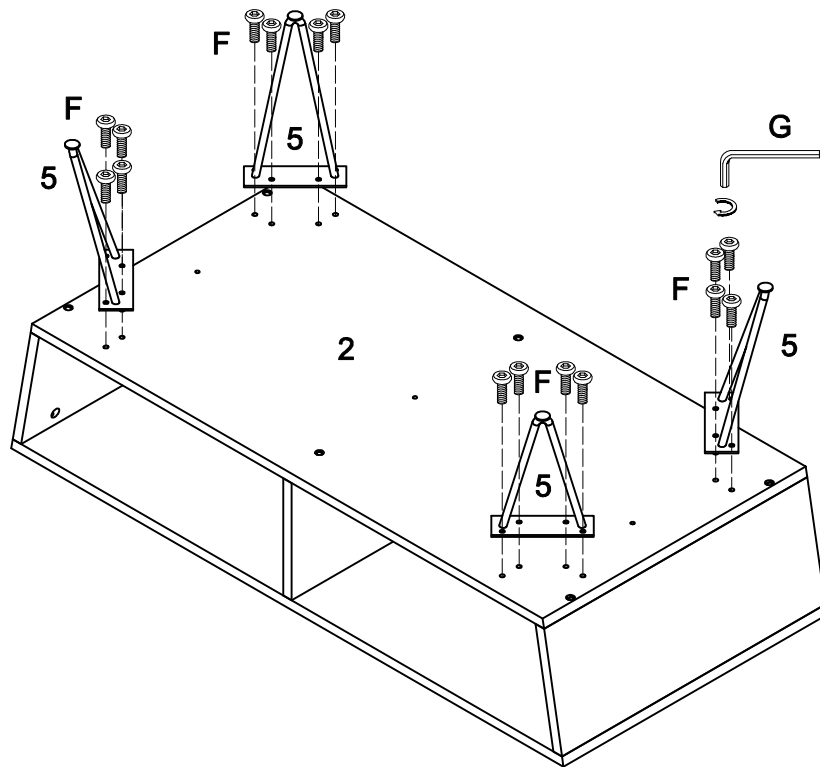
Attach part (2) to part (3,4) using bolt (D) with hex key (G).

Step 4



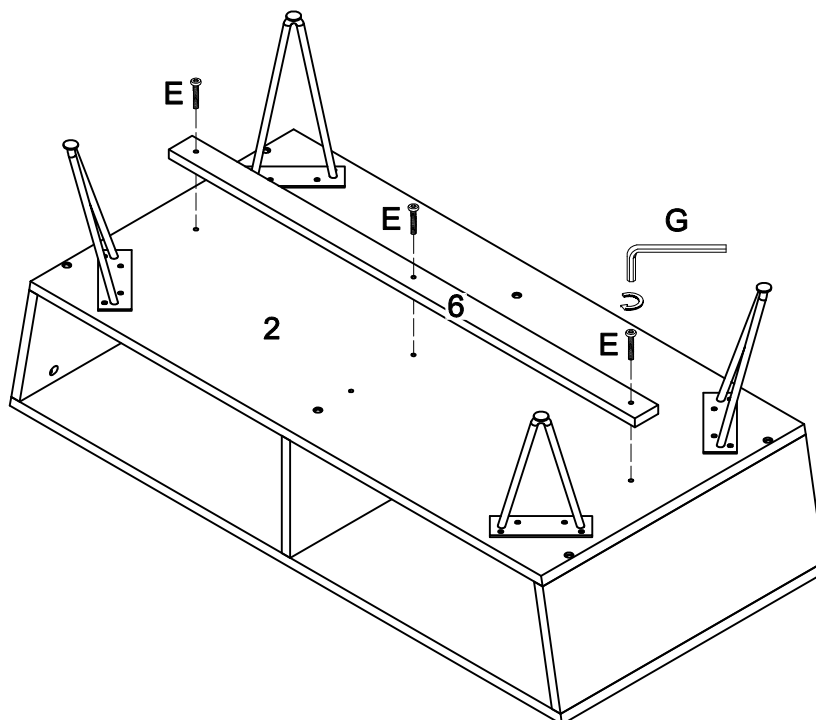
Attach part (1) to part (3,4), then insert and secure cam lock (C) to part (3,4) to lock it.

Step 5



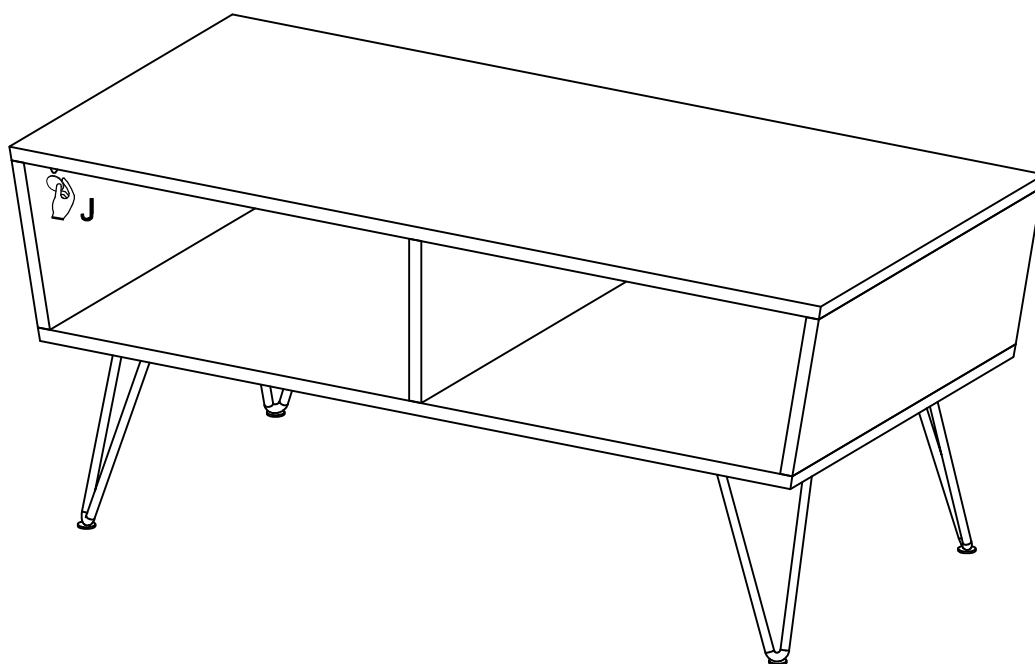
Attach part (5) to part (2) using bolt (F) with hex key (G).

Step 6



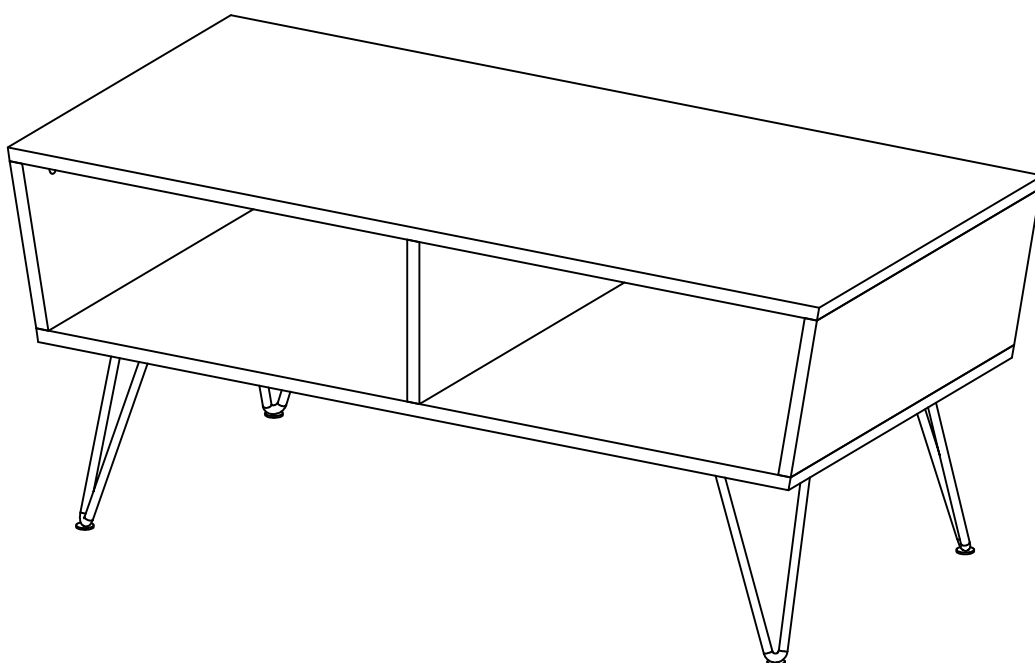
Attach part (6) to part (2) using bolt (E) with hex key (G).

Step 7



Place sticker (J) over holes as per diagram.

Step 8



Final Assembly