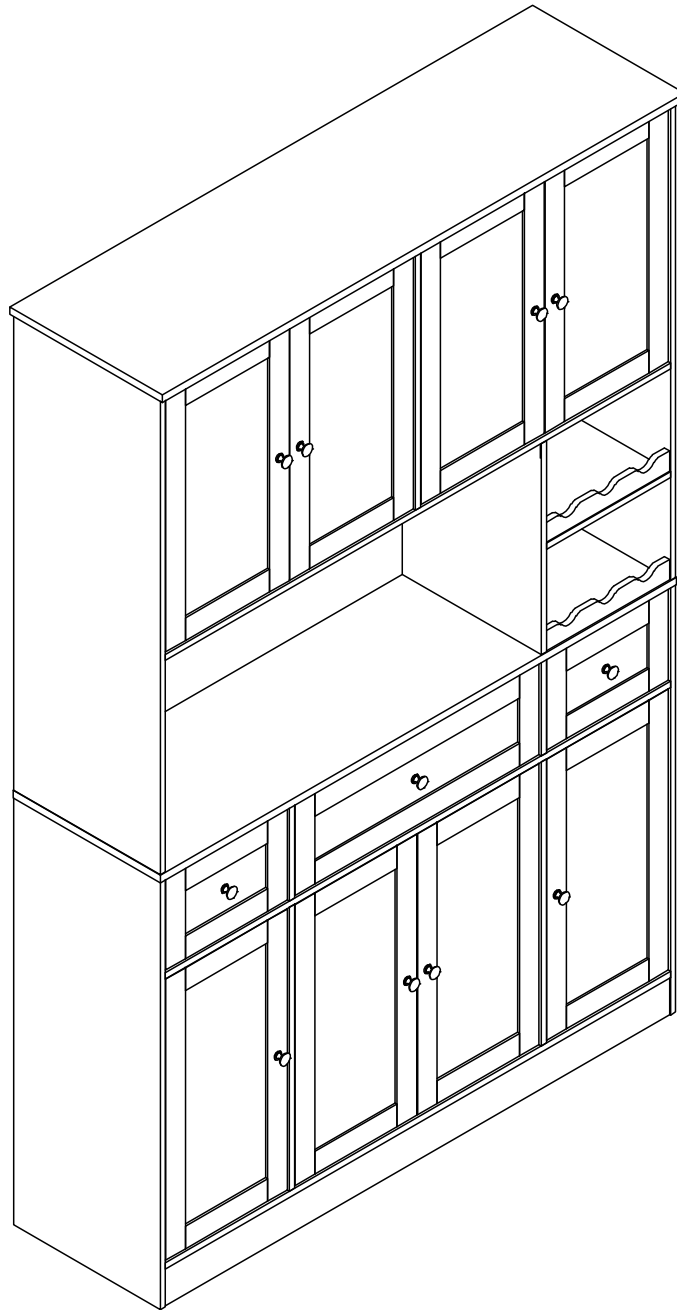


Instruction Manual



Cabinet

EN

Thank you for purchase on our products. Please contact us if you have difficulty with assembly or need replacement parts. Our customer service is here to assist you. Please attach your User Name or Order ID so that we can assist you better.

WARNING

Serious or fatal injury may occur from unexpected assembly or use.

1. During the assembly process, keep all parts away from babies or children.
2. Always securely fix this product to the wall. Make sure the wall area to be drilled is free from hidden electrical wires, water and gas pipes.
3. Use of tip-over restraints may only reduce, but not eliminate the risk of tip-over.
4. Unless specially designed to accommodate, do not set heavy objects on top of this product.
5. Place the heaviest items on the lowest shelf.
6. Never allow children to climb or bang on drawers, doors or shelves.

DE

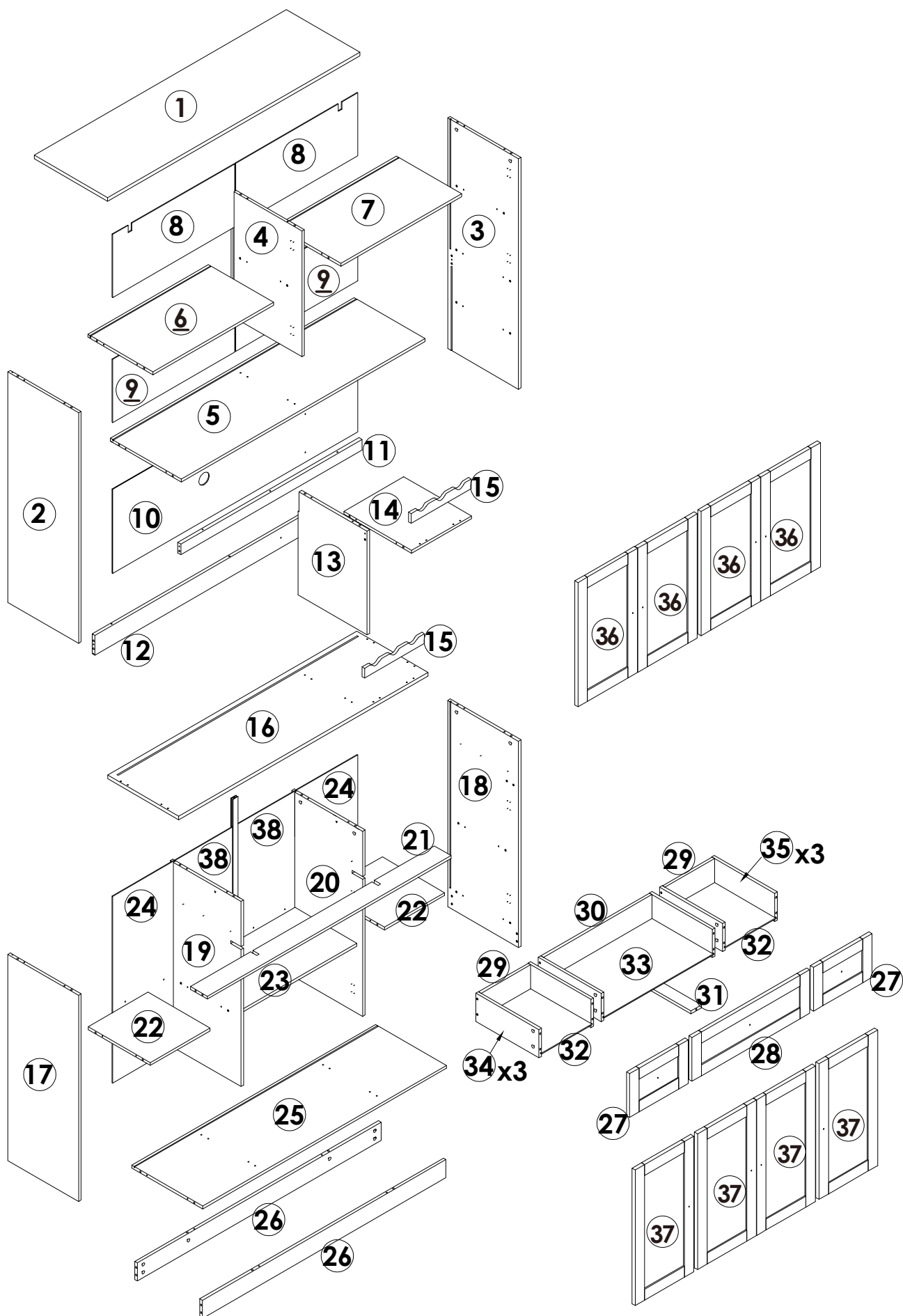
Vielen Dank für Ihren Kauf von uns Produkten. Bitte kontaktieren Sie uns, wenn Sie Probleme mit Montage haben oder Ersatzteile benötigen. Wir Kundenservice ist für Sie da. Bitte geben Sie Ihren Benutzernamen oder Ihre Bestellnummer an, damit wir Sie besser unterstützen können.

WARNUNG

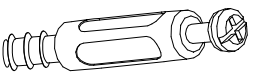

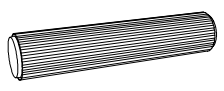
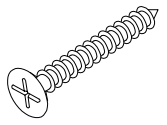
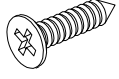

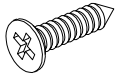
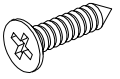
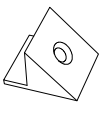
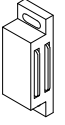
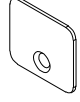
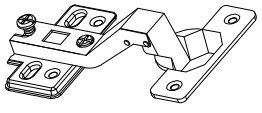


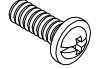

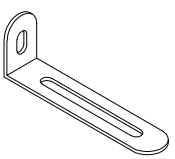
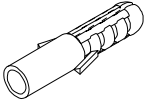
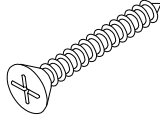
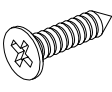
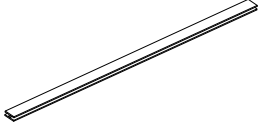

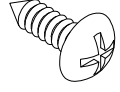
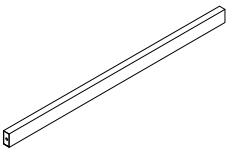
Bei unerwarteter Montage oder Verwendung können schwere oder tödliche Verletzung auftreten.

1. Legen Sie in den Montageprozess alle Teile weg von Babys oder Kindern.
2. Stellen Sie sicher, dass der gebohrte Wandbereich frei von verborgenen Stromkabeln, Wasser- und Gasleitungen ist, wenn Sie dieses Produkt an der Wand befestigen.
3. Die Verwendung von Kippsicherungen kann die Gefahr eines Kippens nur verringern, jedoch nicht beseitigen.
4. Setzen Sie bitte keine schweren Gegenstände auf dieses Produkt, es sei denn, dass das Produkt speziell für die Unterbringung konzipiert wird.
5. Legen Sie bitte die schwersten Gegenstände auf das unterste Regal.
6. Erlauben Sie nie Kindern, auf Schubladen, Türen oder Regale zu klettern oder zu knallen.

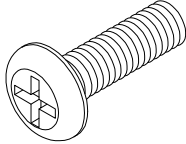
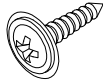
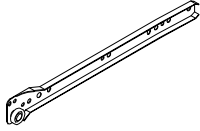
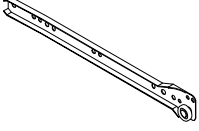
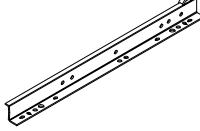
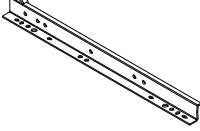
Parts List(EN) / Teile Liste(DE)



Parts List(EN) / Teile Liste(DE)

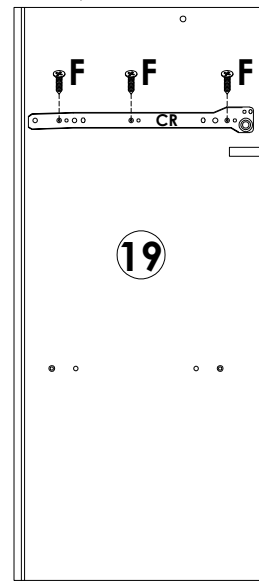
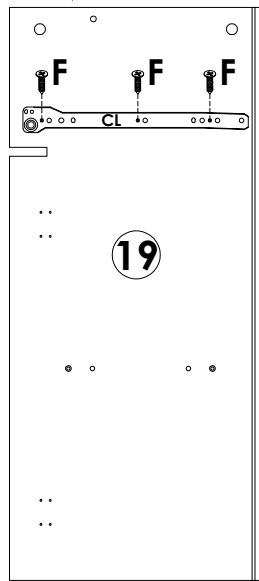
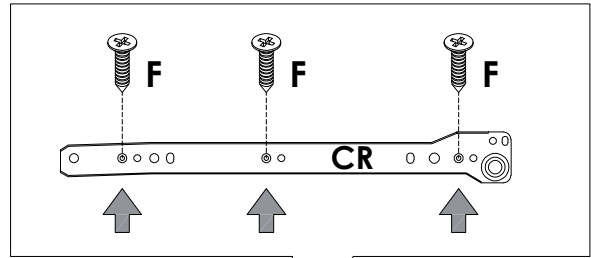
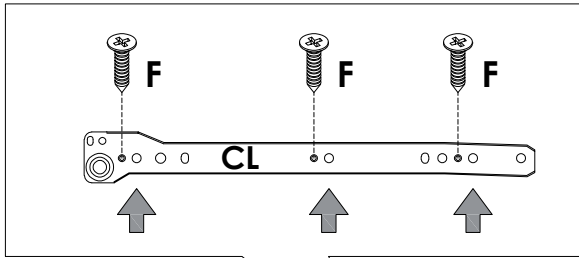
A  M6x35mm <div style="border: 1px solid black; padding: 2px; width: fit-content; margin-left: auto; margin-right: auto;">85+2PCS</div>	B  Φ 15x9.5mm <div style="border: 1px solid black; padding: 2px; width: fit-content; margin-left: auto; margin-right: auto;">85+2PCS</div>	C  Φ 6x30mm <div style="border: 1px solid black; padding: 2px; width: fit-content; margin-left: auto; margin-right: auto;">74+2PCS</div>	D  M4.2x35mm <div style="border: 1px solid black; padding: 2px; width: fit-content; margin-left: auto; margin-right: auto;">32+2PCS</div>
E  M3.0x12mm <div style="border: 1px solid black; padding: 2px; width: fit-content; margin-left: auto; margin-right: auto;">8+1PCS</div>	F  M3.5x12mm <div style="border: 1px solid black; padding: 2px; width: fit-content; margin-left: auto; margin-right: auto;">36+2PCS</div>	G  M3.5x12mm <div style="border: 1px solid black; padding: 2px; width: fit-content; margin-left: auto; margin-right: auto;">96+2PCS</div>	H  M3.5x14mm <div style="border: 1px solid black; padding: 2px; width: fit-content; margin-left: auto; margin-right: auto;">36+2PCS</div>
I  <div style="border: 1px solid black; padding: 2px; width: fit-content; margin-left: auto; margin-right: auto;">36+2PCS</div>	J  <div style="border: 1px solid black; padding: 2px; width: fit-content; margin-left: auto; margin-right: auto;">5PCS</div>	K  <div style="border: 1px solid black; padding: 2px; width: fit-content; margin-left: auto; margin-right: auto;">8PCS</div>	L  <div style="border: 1px solid black; padding: 2px; width: fit-content; margin-left: auto; margin-right: auto;">16PCS</div>
M  <div style="border: 1px solid black; padding: 2px; width: fit-content; margin-left: auto; margin-right: auto;">8+2PCS</div>	N  <div style="border: 1px solid black; padding: 2px; width: fit-content; margin-left: auto; margin-right: auto;">11PCS</div>	O  M4x18mm <div style="border: 1px solid black; padding: 2px; width: fit-content; margin-left: auto; margin-right: auto;">8+1PCS</div>	P  M4x8mm <div style="border: 1px solid black; padding: 2px; width: fit-content; margin-left: auto; margin-right: auto;">3+1PCS</div>
Q  <div style="border: 1px solid black; padding: 2px; width: fit-content; margin-left: auto; margin-right: auto;">2PCS</div>	R  <div style="border: 1px solid black; padding: 2px; width: fit-content; margin-left: auto; margin-right: auto;">2+1PCS</div>	S  M4x35mm <div style="border: 1px solid black; padding: 2px; width: fit-content; margin-left: auto; margin-right: auto;">2+1PCS</div>	T  M3.5x14mm <div style="border: 1px solid black; padding: 2px; width: fit-content; margin-left: auto; margin-right: auto;">2+1PCS</div>
U  L=762mm <div style="border: 1px solid black; padding: 2px; width: fit-content; margin-left: auto; margin-right: auto;">1PCS</div>	V  <div style="border: 1px solid black; padding: 2px; width: fit-content; margin-left: auto; margin-right: auto;">1PCS</div>	W  M3.5x16mm <div style="border: 1px solid black; padding: 2px; width: fit-content; margin-left: auto; margin-right: auto;">10+2PCS</div>	X  <div style="border: 1px solid black; padding: 2px; width: fit-content; margin-left: auto; margin-right: auto;">1PCS</div>




Parts List(EN) / Teile Liste(DE)

<p>Y</p>  <p>M6x25mm</p> <div style="border: 1px solid black; display: inline-block; padding: 2px 5px;">2PCS</div>	<p>AA</p>  <p>Φ3x16xΦ7mm</p> <div style="border: 1px solid black; display: inline-block; padding: 2px 5px;">10+2PCS</div>		
<p>CL</p>  <p>L300mm</p> <div style="border: 1px solid black; display: inline-block; padding: 2px 5px;">3PCS</div>	<p>CR</p>  <p>L300mm</p> <div style="border: 1px solid black; display: inline-block; padding: 2px 5px;">3PCS</div>	<p>DL</p>  <p>L300mm</p> <div style="border: 1px solid black; display: inline-block; padding: 2px 5px;">3PCS</div>	<p>DR</p>  <p>L300mm</p> <div style="border: 1px solid black; display: inline-block; padding: 2px 5px;">3PCS</div>

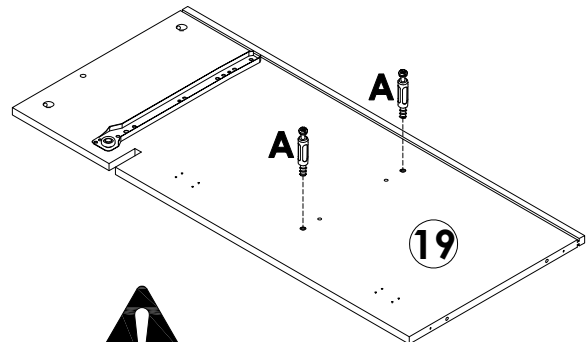
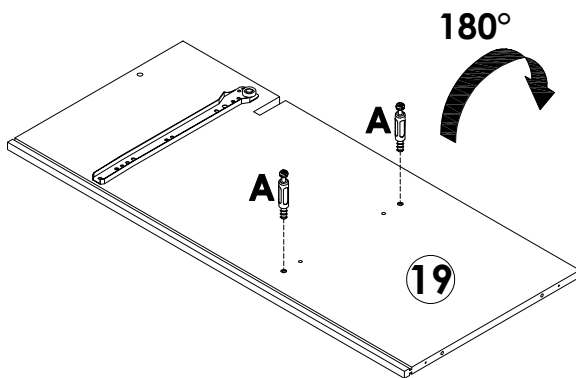
Assembly Steps(EN) / Montageschritte(DE)

STEP 1



	Fx6PCS
	CRx1PC
	CLx1PC

STEP 2

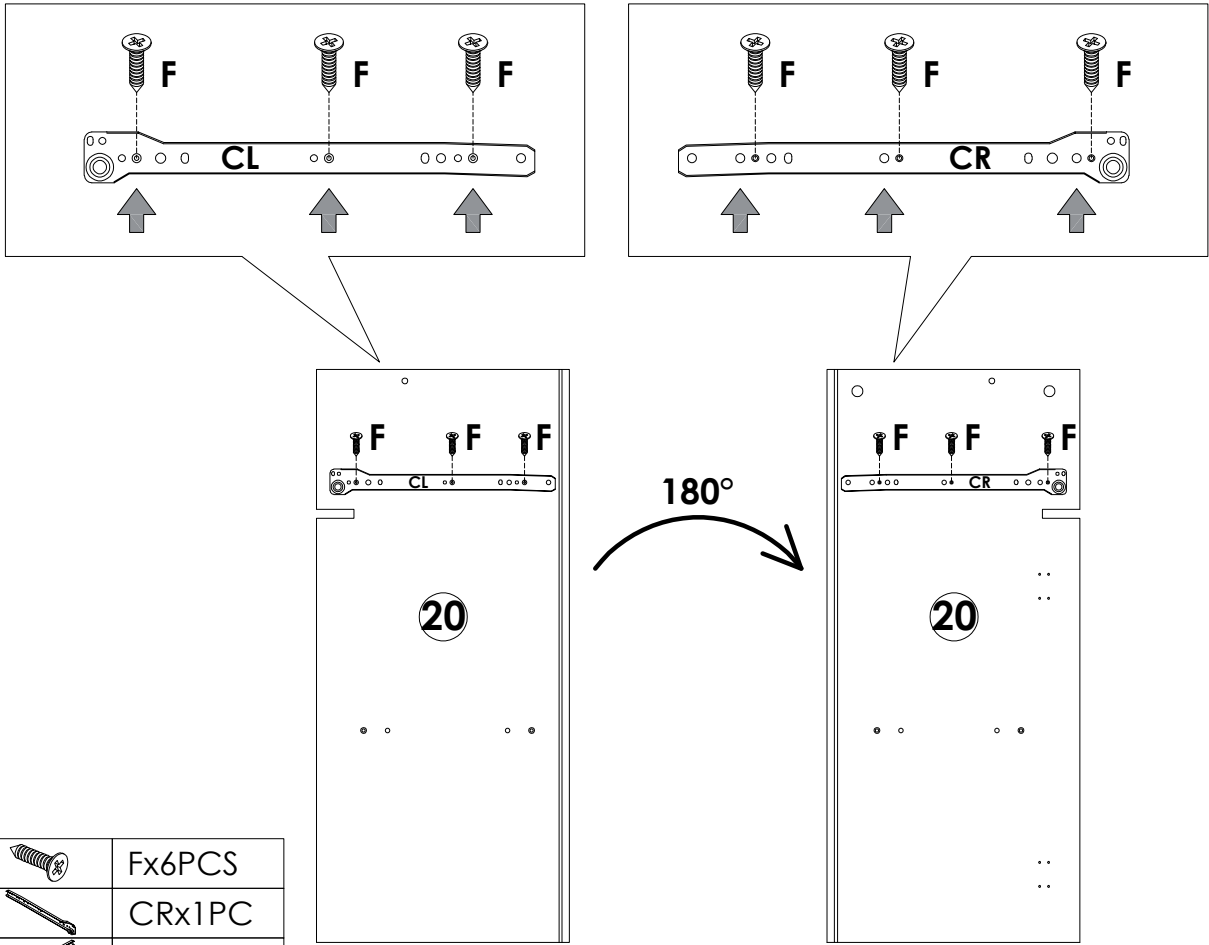





Turn over part 19 to install the other side.

	Ax4PCS
---	--------

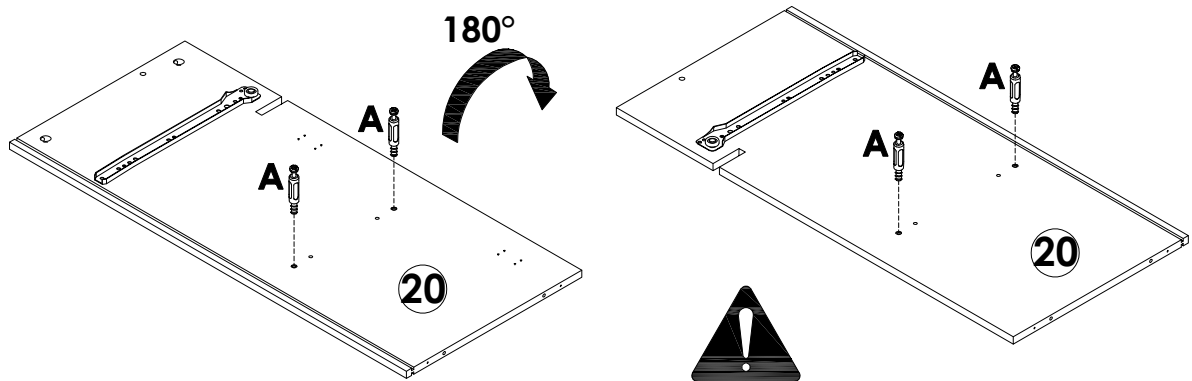
Assembly Steps(EN) / Montageschritte(DE)

STEP 3



	Fx6PCS
	CRx1PC
	CLx1PC

STEP 4

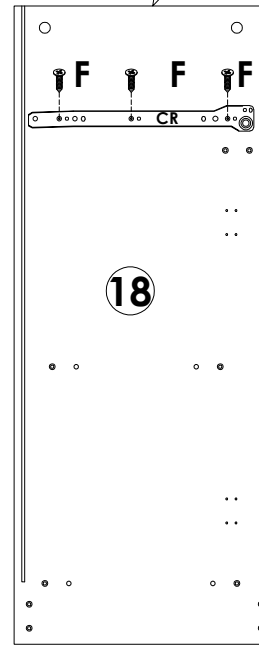
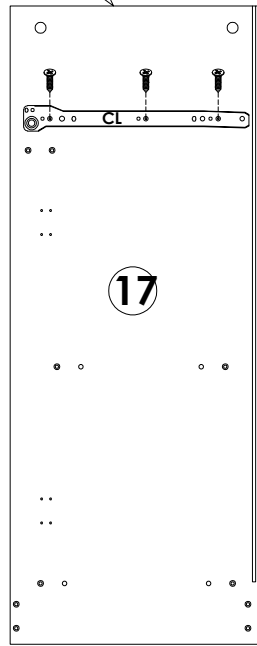
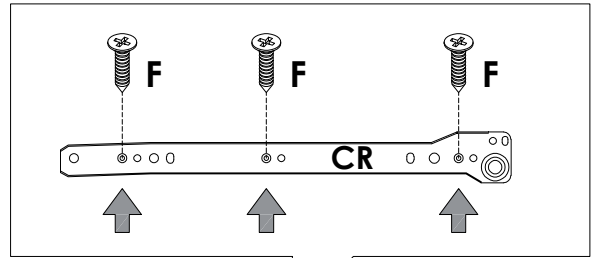
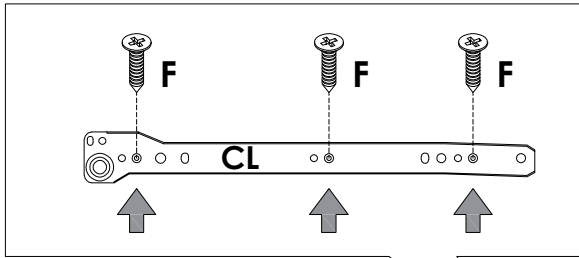





Turn over part 20 to install the other side.

	Ax4PCS
---	--------

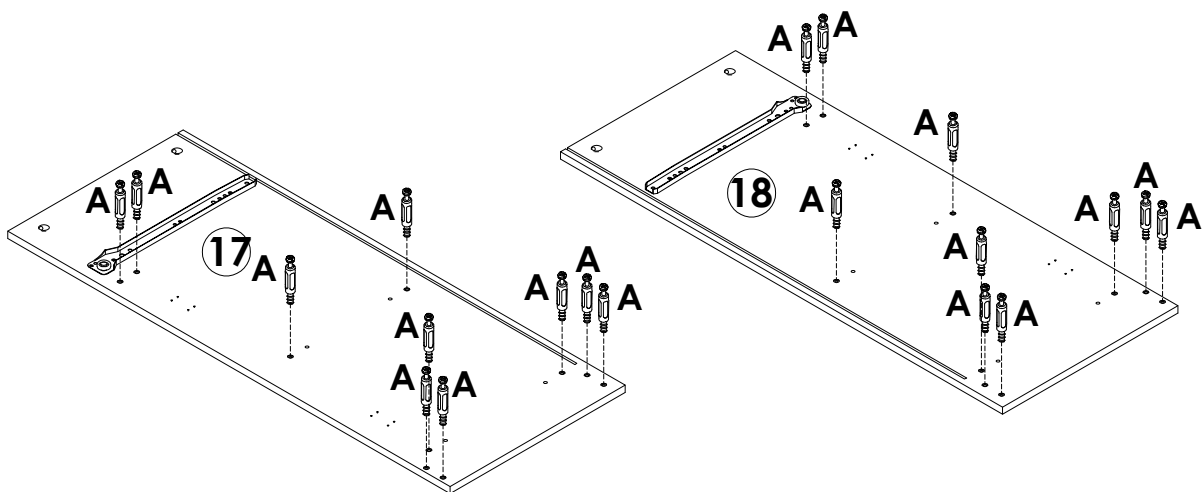
Assembly Steps(EN) / Montageschritte(DE)

STEP 5



	Fx6PCS
	CRx1PC
	CLx1PC

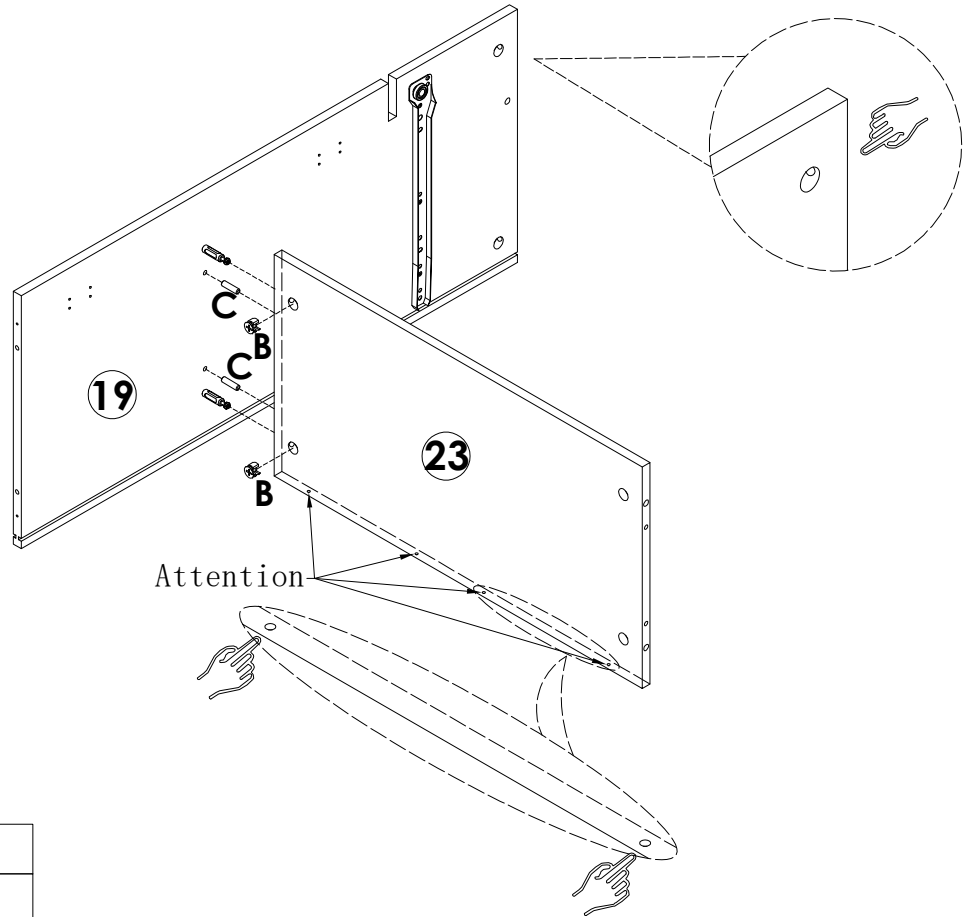
STEP 6





	Ax20PCS
---	---------

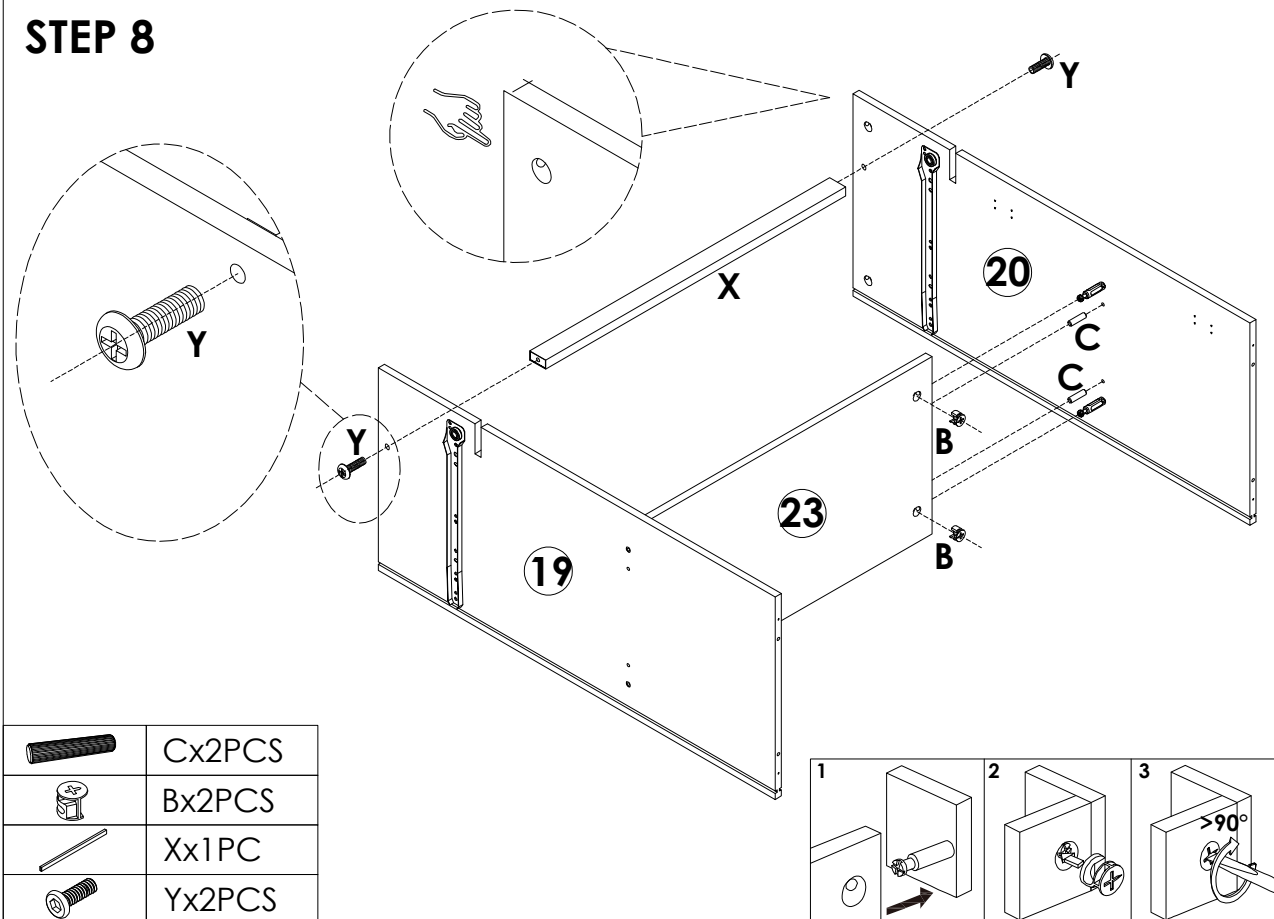
Assembly Steps(EN) / Montageschritte(DE)





STEP 7

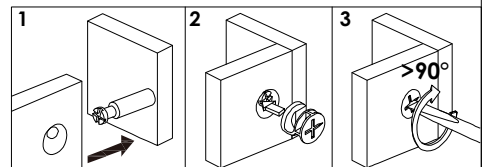


	Cx2PCS
	Bx2PCS

STEP 8

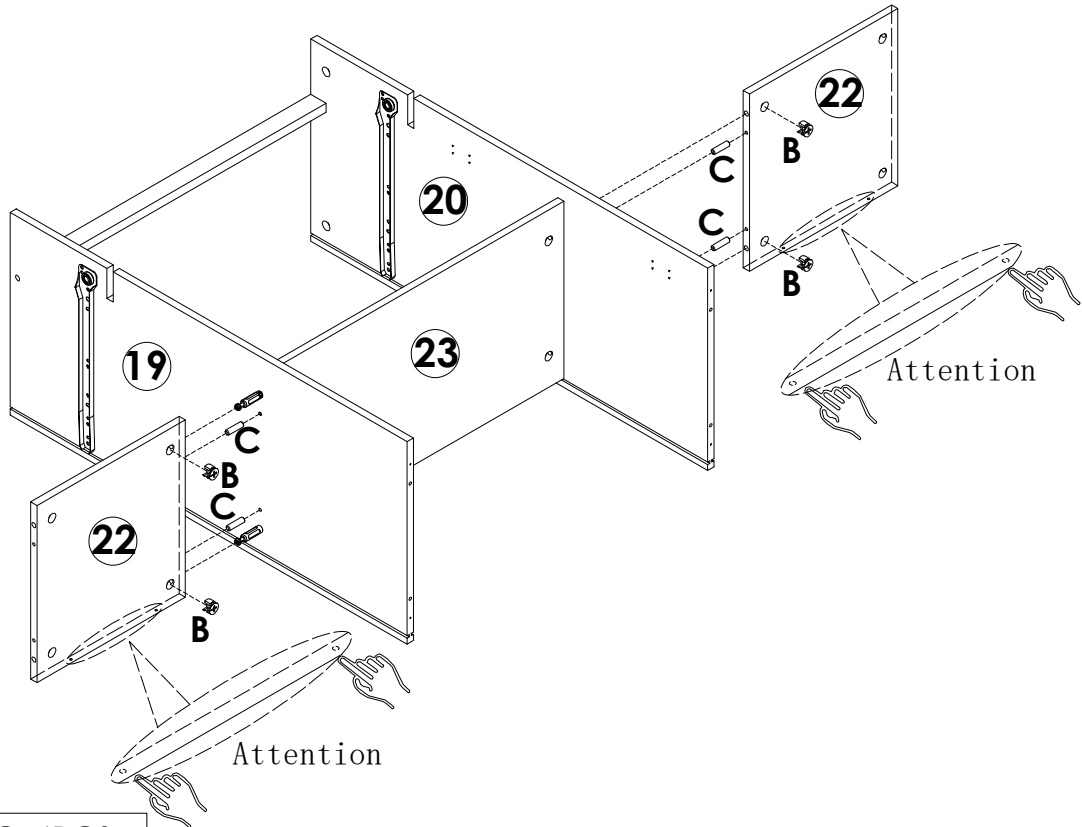




	Cx2PCS
	Bx2PCS
	Xx1PC
	Yx2PCS



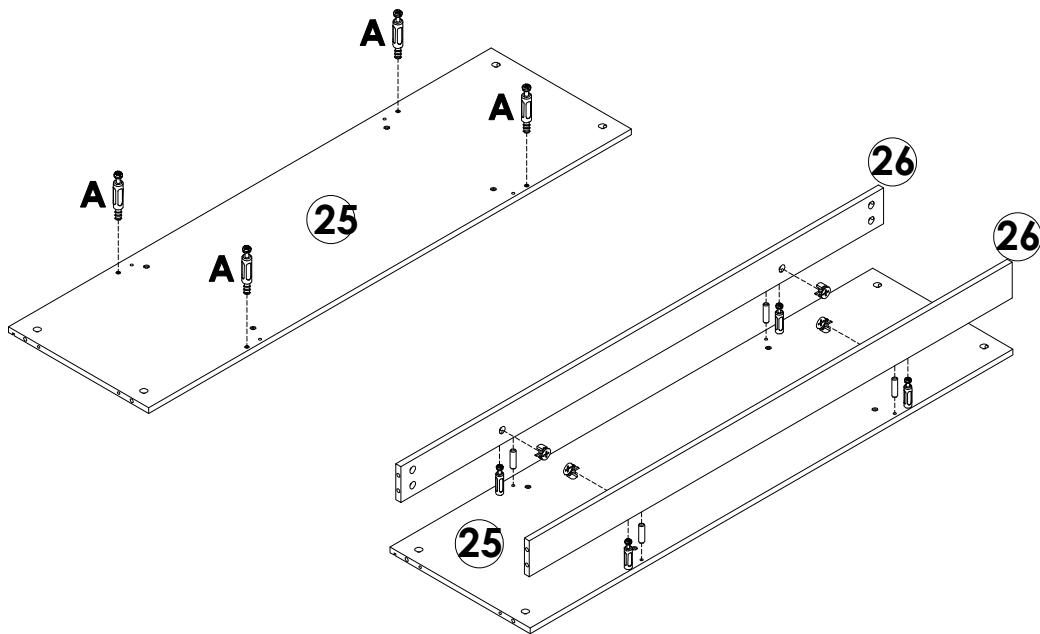
Assembly Steps(EN) / Montageschritte(DE)




STEP 9

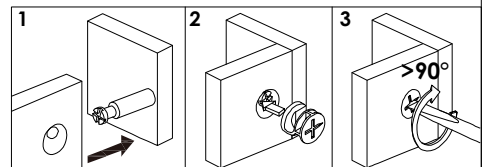


	Cx4PCS
	Bx4PCS

STEP 10

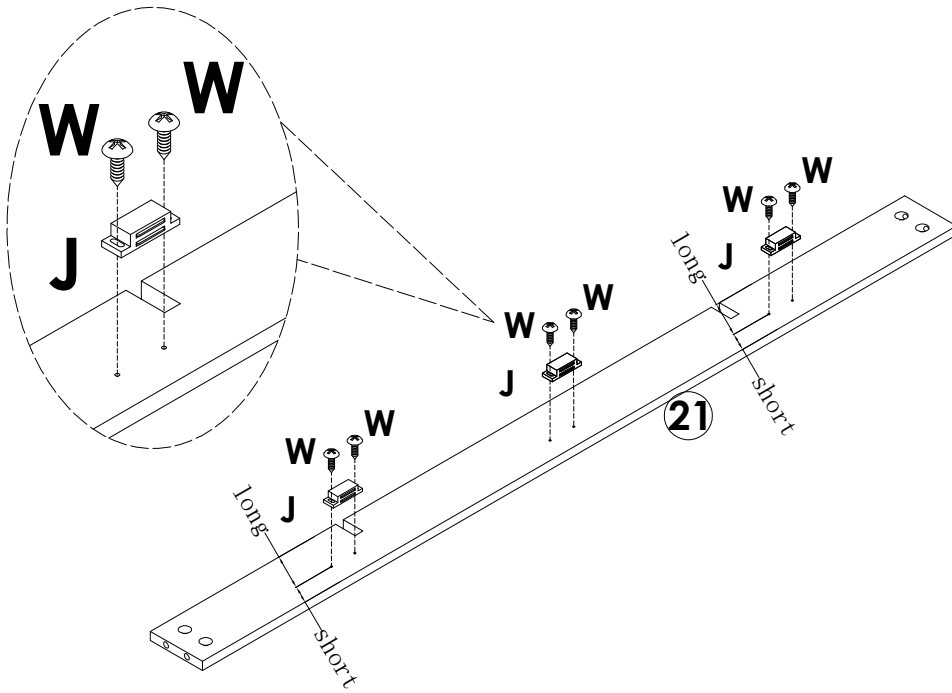




	Cx4PCS
	Bx4PCS
	Ax4PCS



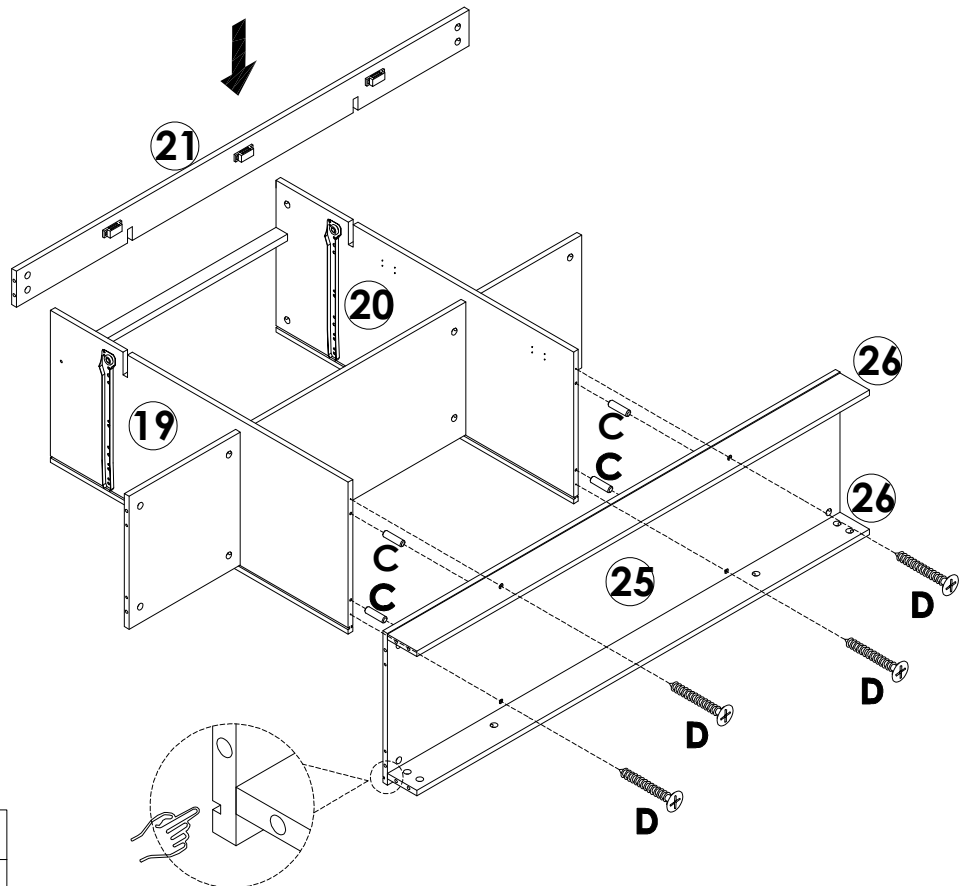
Assembly Steps(EN) / Montageschritte(DE)



STEP 11



	Wx6PCS
	Jx3PCS

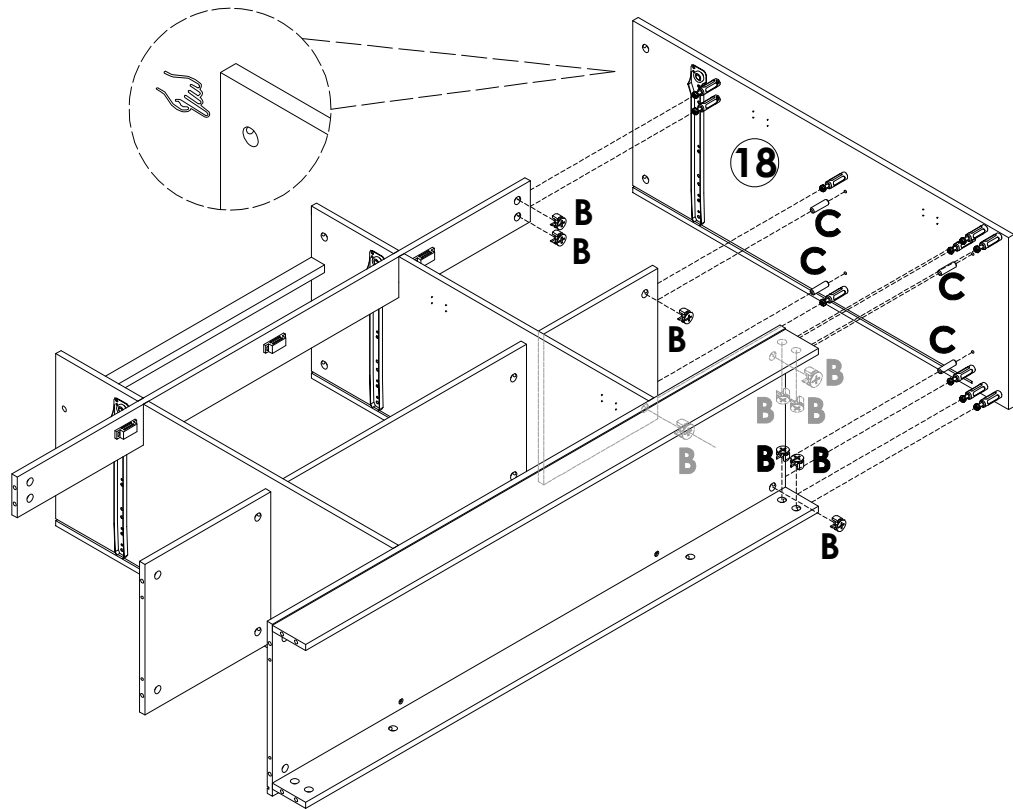
STEP 12





	Cx4PCS
	Dx4PCS

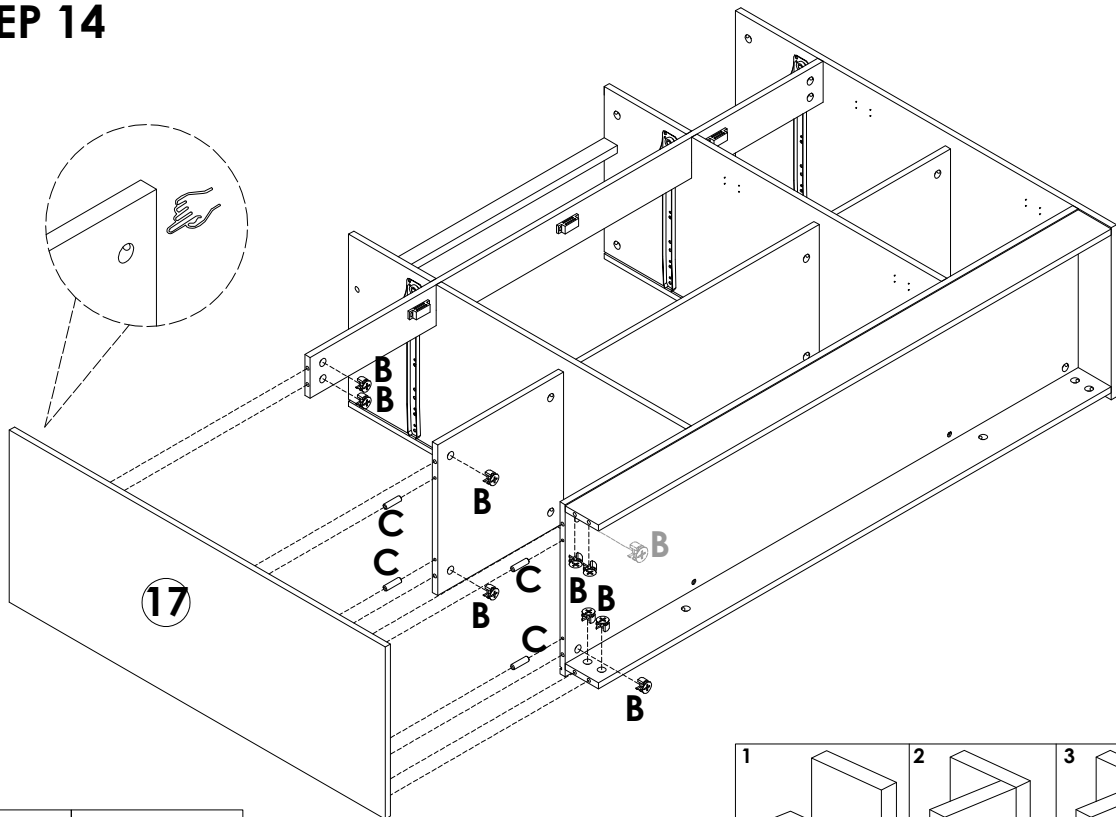
Assembly Steps(EN) / Montageschritte(DE)



STEP 13

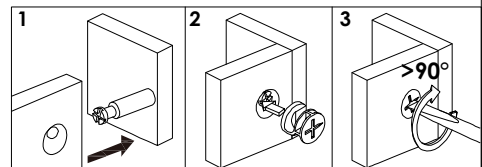


	Cx4PCS
	Bx10PCS

STEP 14

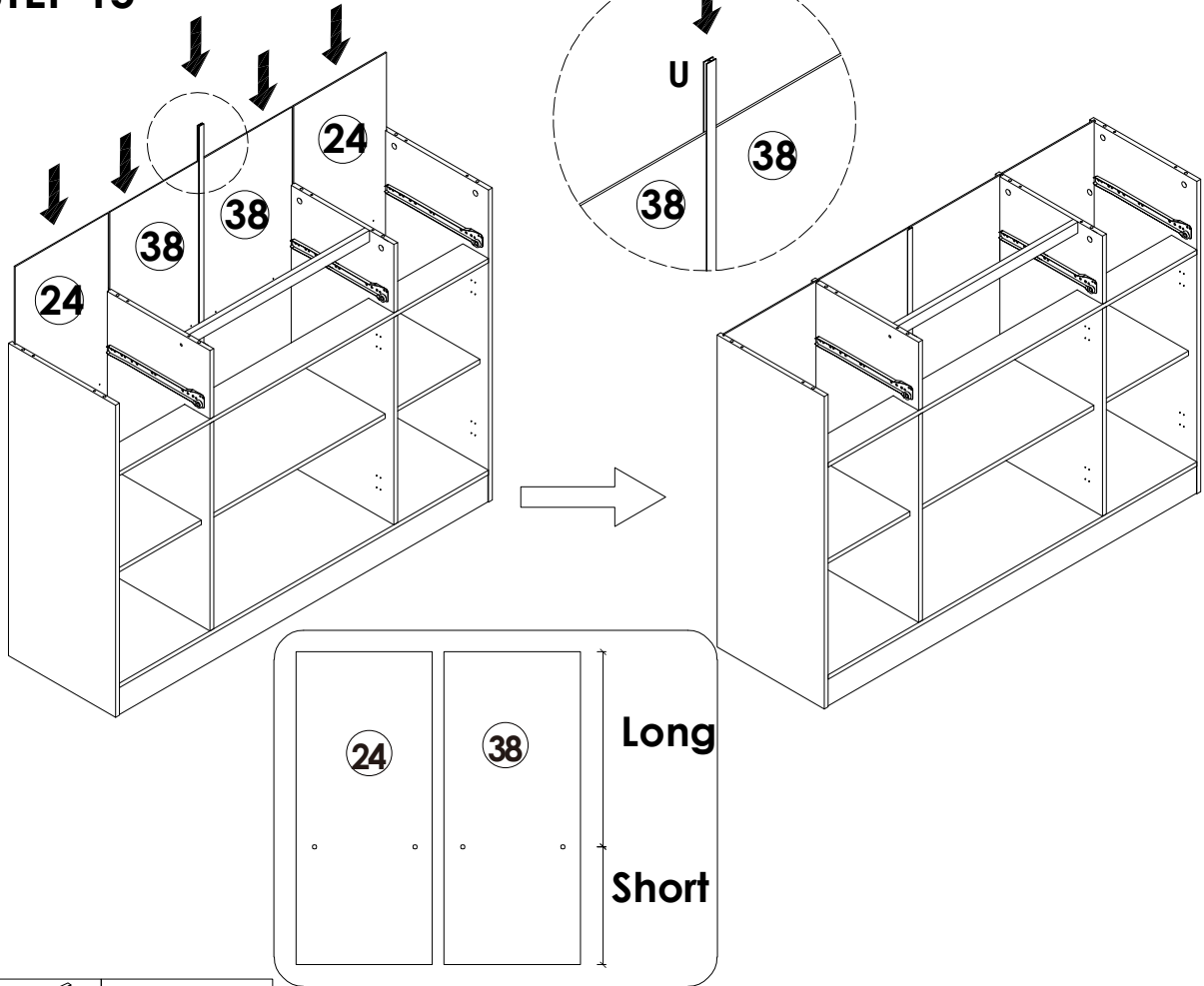


	Cx4PCS
	Bx10PCS



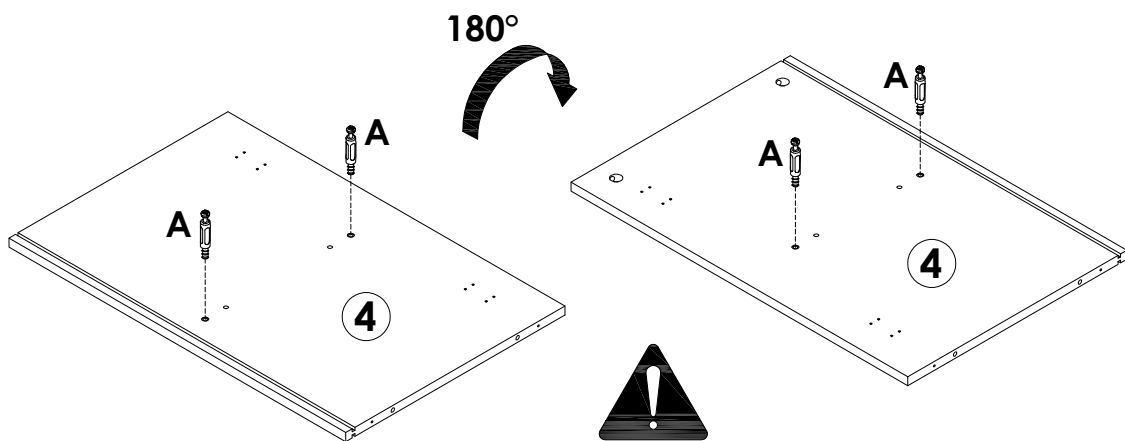
Assembly Steps(EN) / Montageschritte(DE)

STEP 15




 Ux1PCS

STEP 16

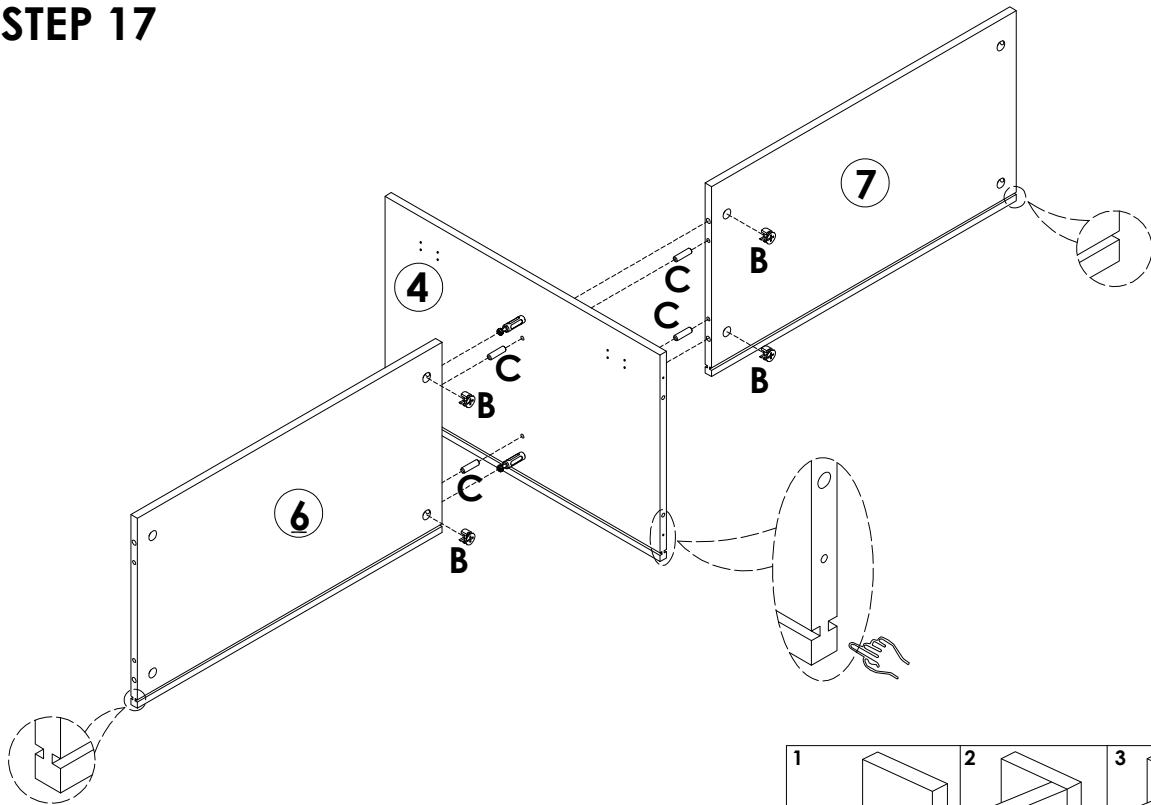


Turn over part ④ to install the other side.

 Ax4PCS

Assembly Steps(EN) / Montageschritte(DE)

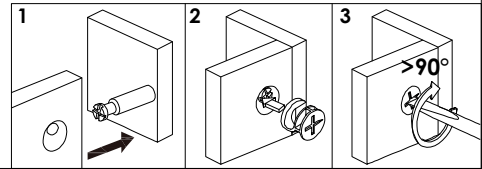
STEP 17



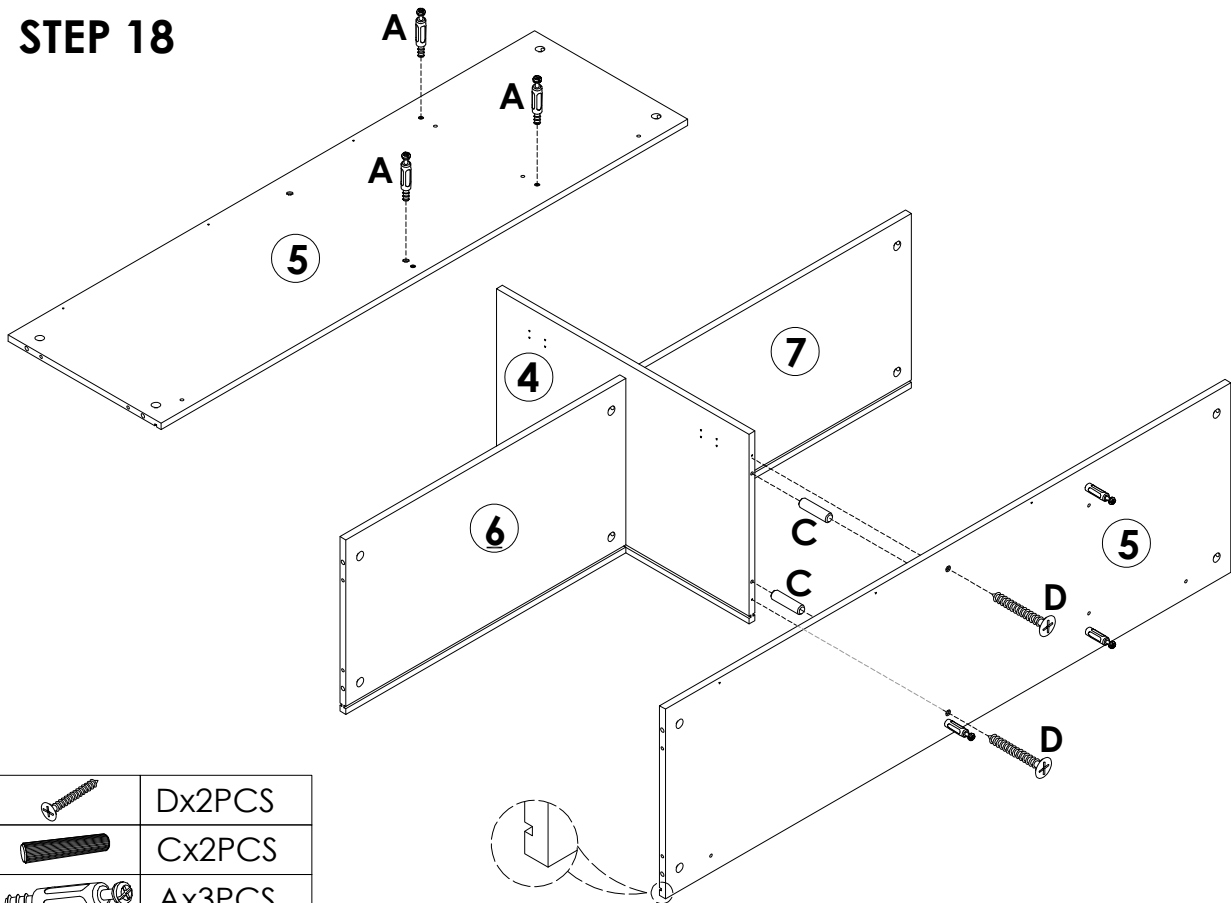
Cx4PCS



Bx4PCS



STEP 18



Dx2PCS



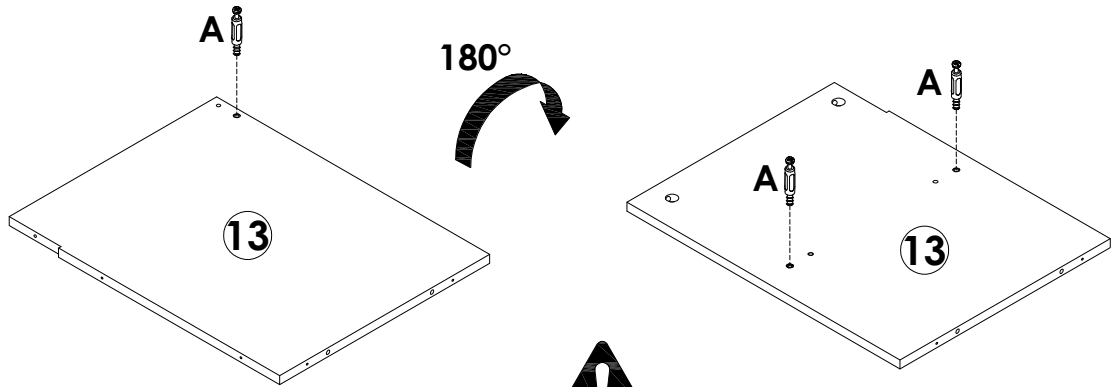
Cx2PCS



Ax3PCS

Assembly Steps(EN) / Montageschritte(DE)

STEP 19

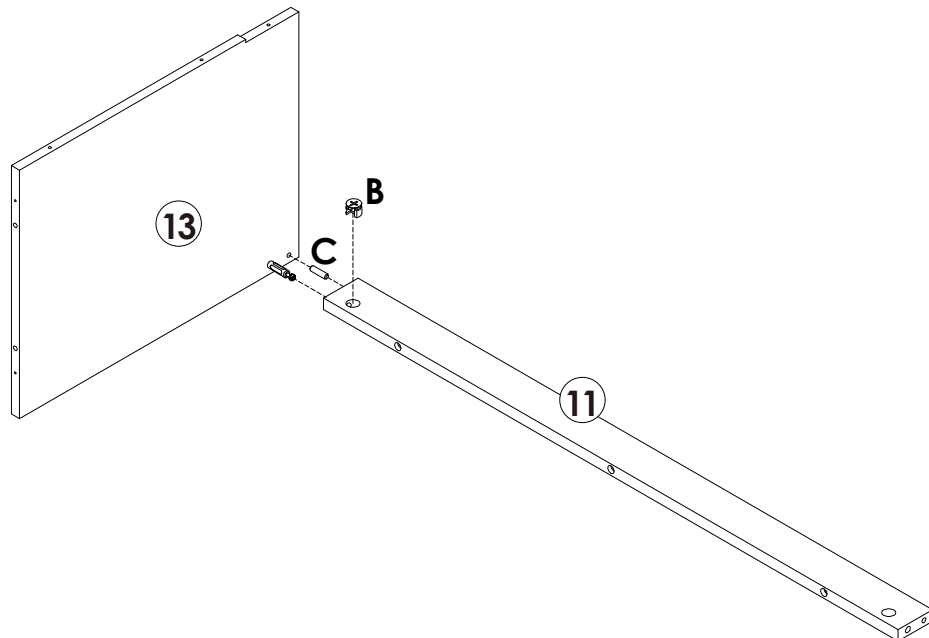


Turn over part 13 to install the other side.



Ax3PCS

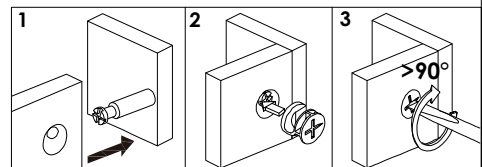
STEP 20



Bx1PC

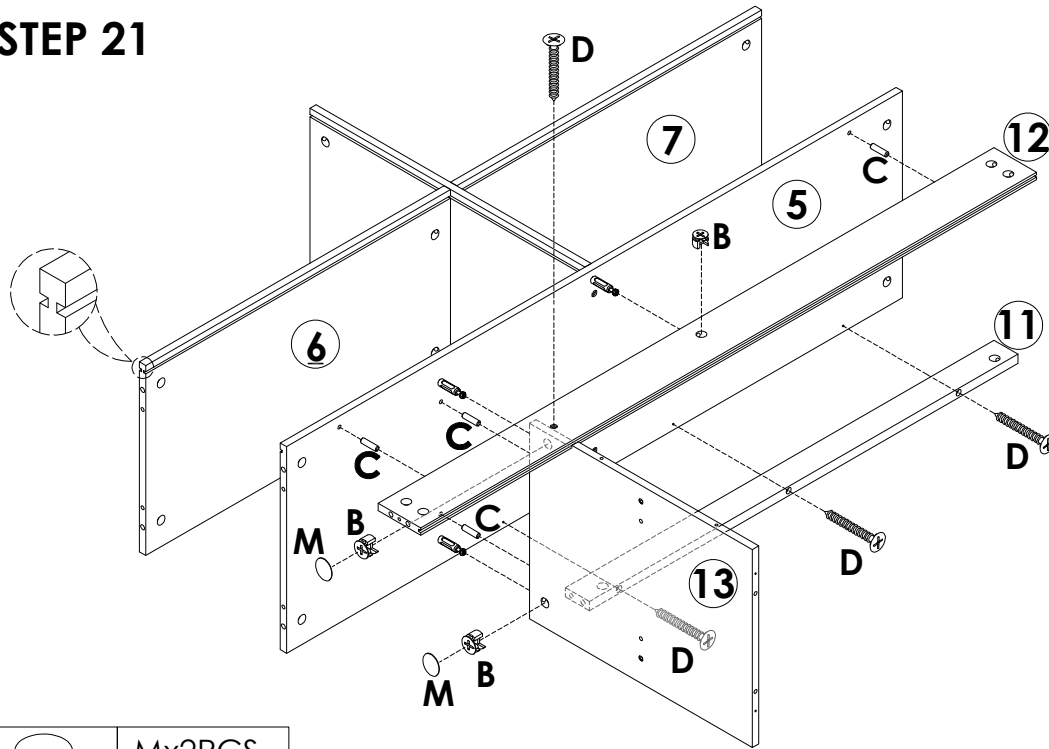






Cx1PC

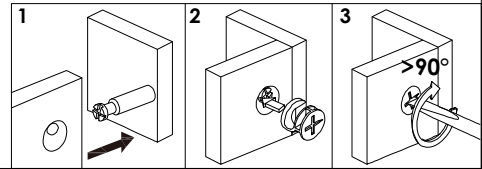


Assembly Steps(EN) / Montageschritte(DE)

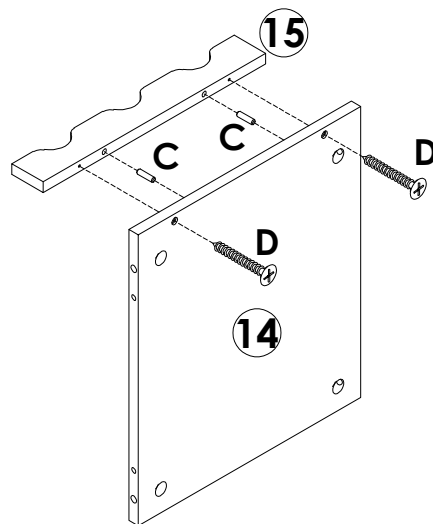
STEP 21





	Mx2PCS
	Dx4PCS
	Cx4PCS
	Bx3PCS



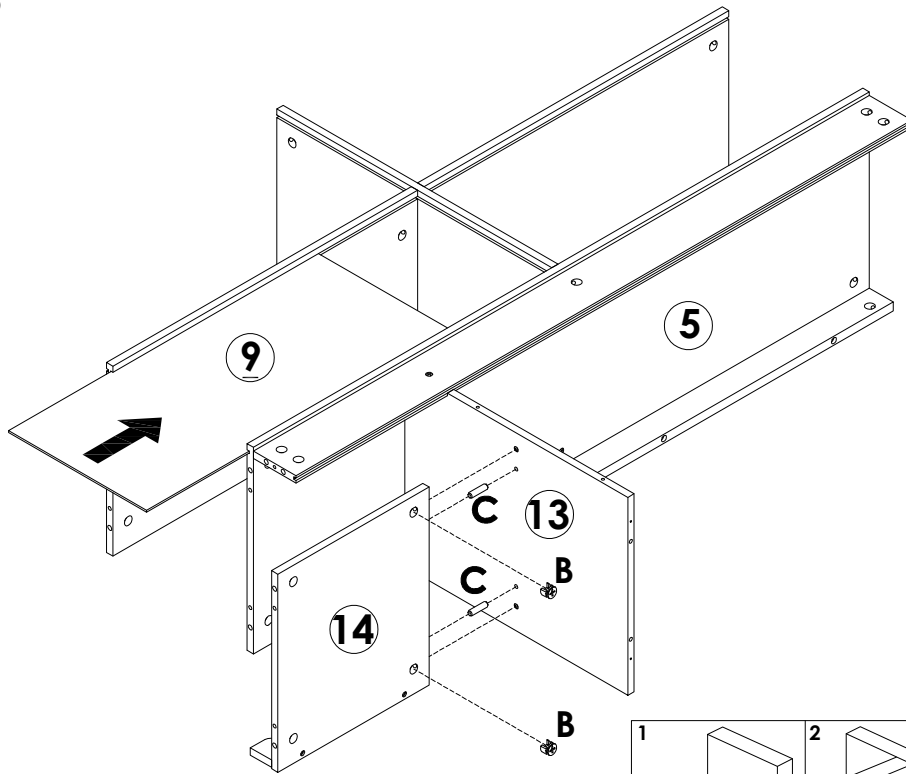
STEP 22





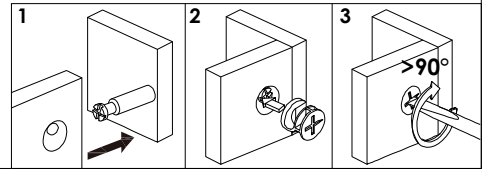
	Dx2PCS
	Cx2PCS

Assembly Steps(EN) / Montageschritte(DE)

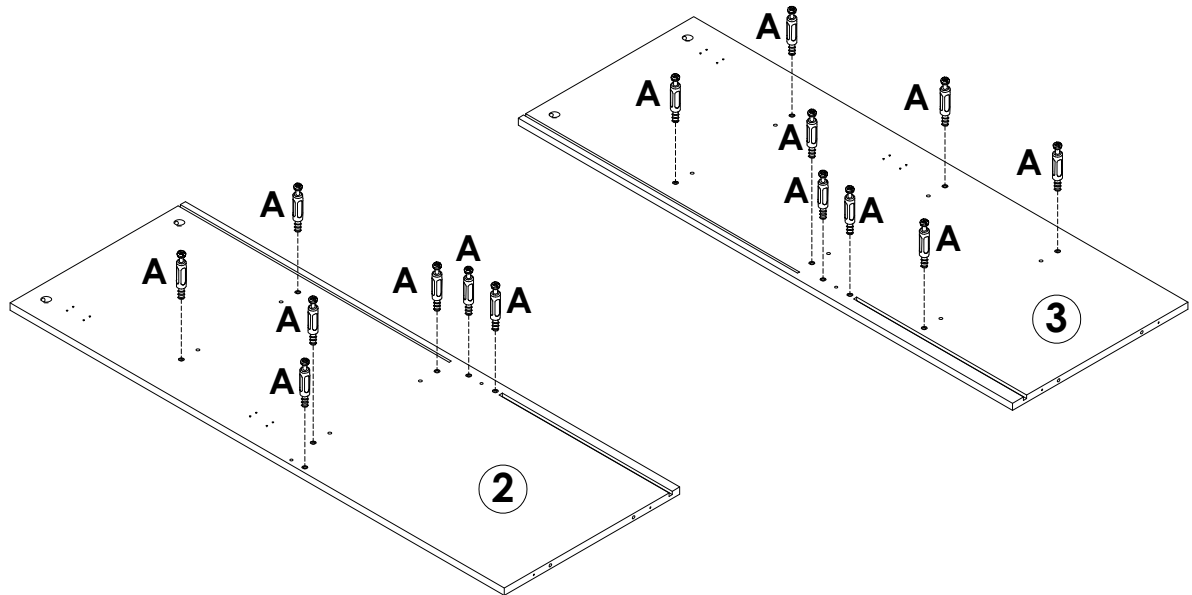
STEP 23



	Cx2PCS
	Bx2PCS



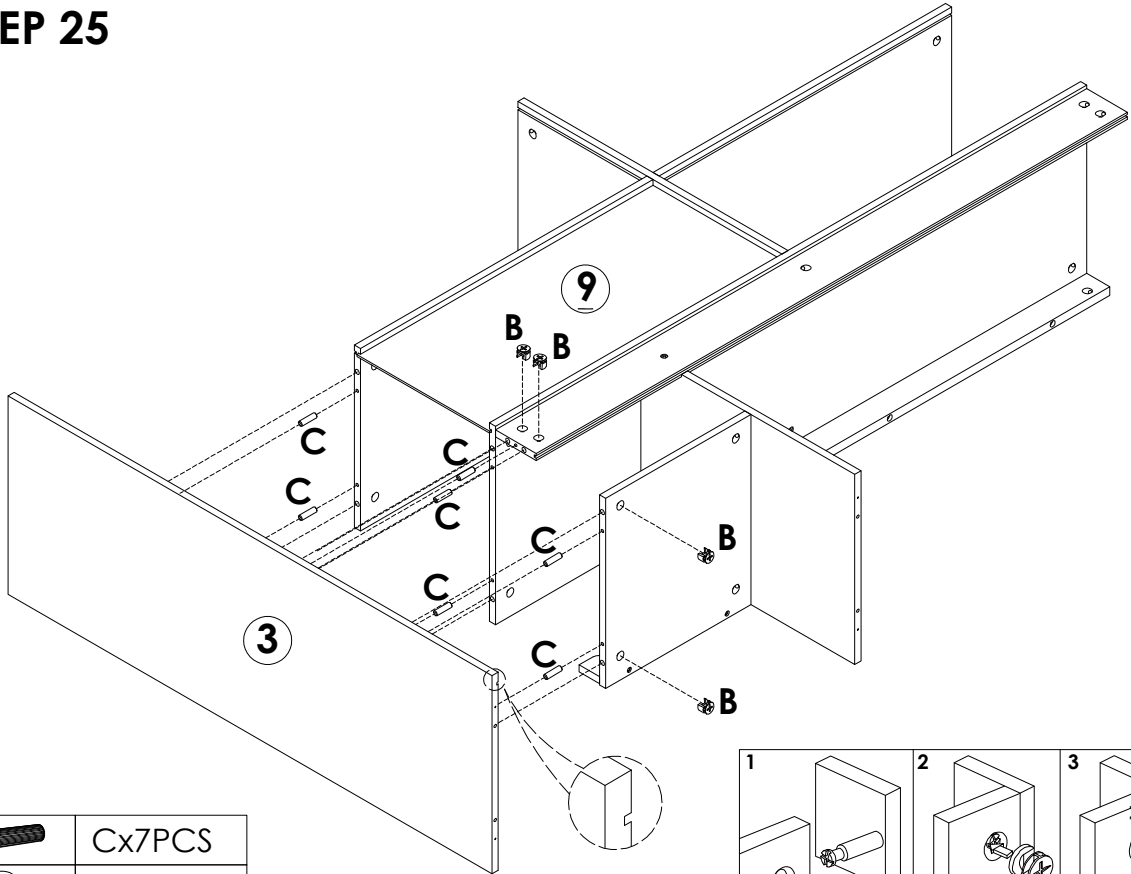
STEP 24





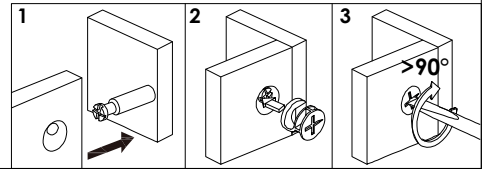
	Ax15PCS
---	---------

Assembly Steps(EN) / Montageschritte(DE)

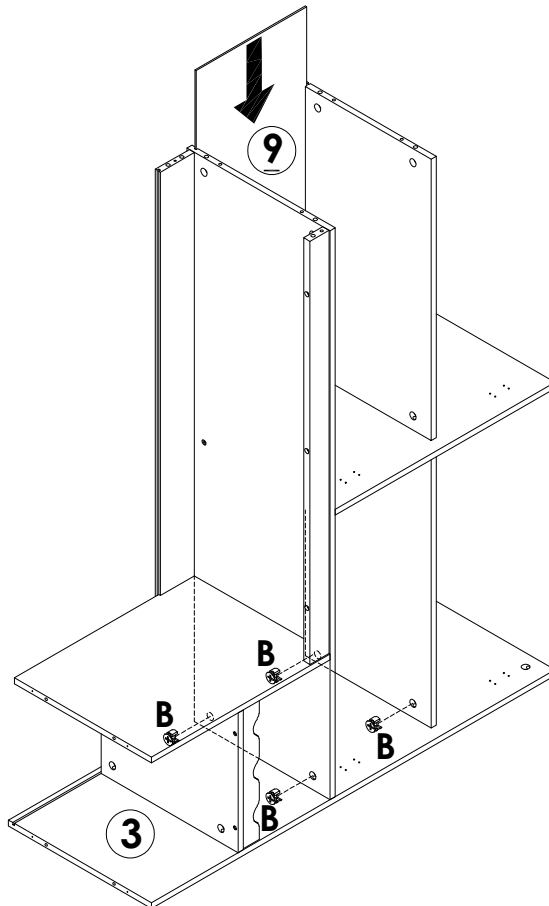
STEP 25




	Cx7PCS
	Bx4PCS



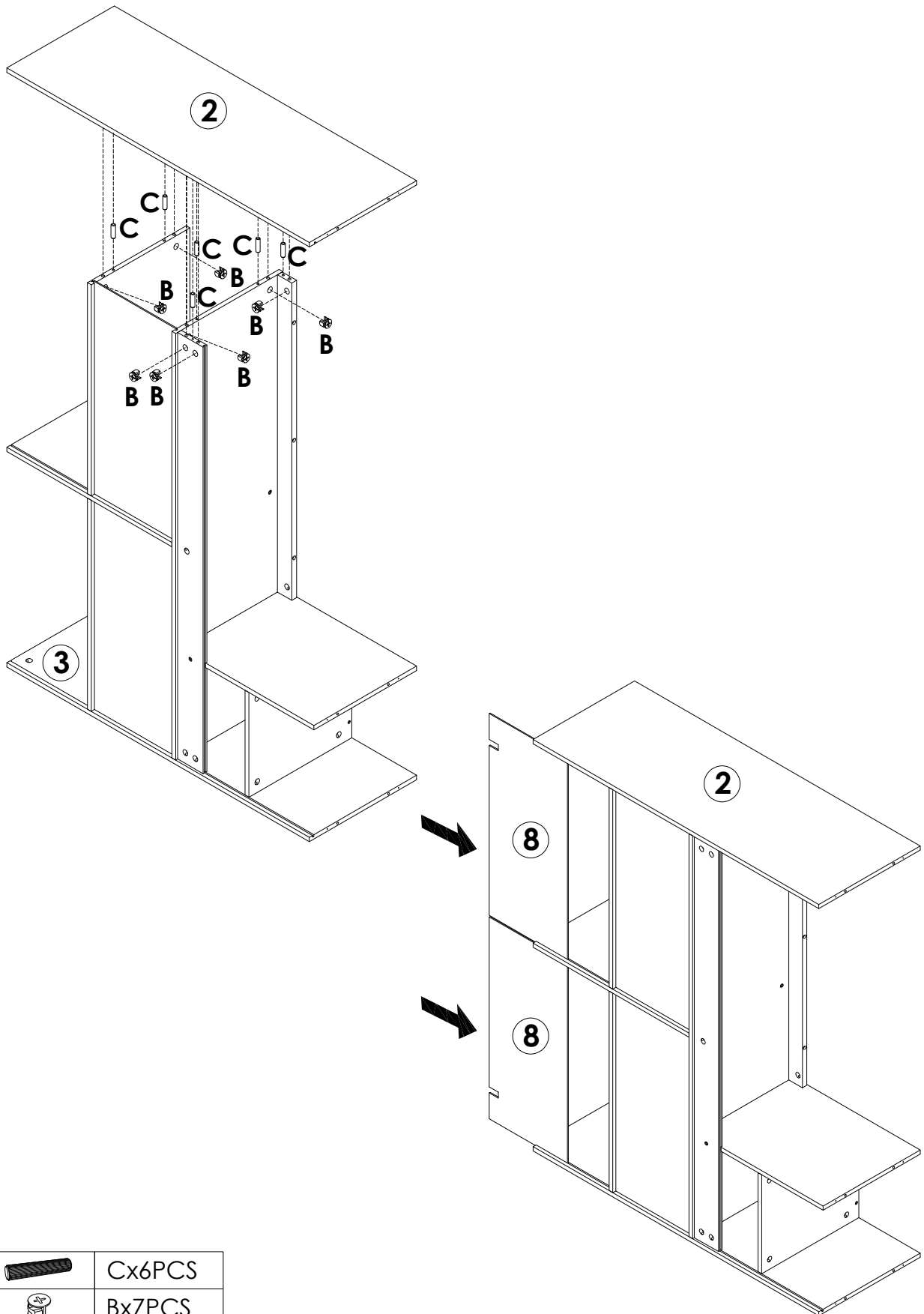
STEP 26





	Bx4PCS
---	--------

Assembly Steps(EN) / Montageschritte(DE)

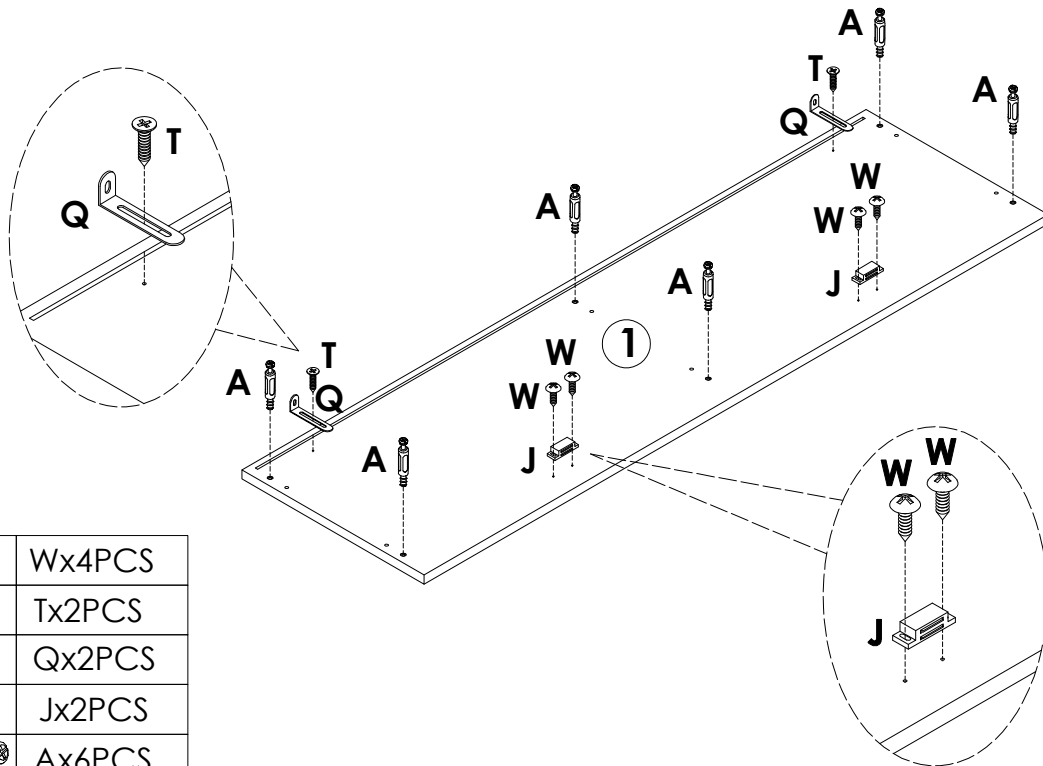
STEP 27



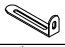




	Cx6PCS
	Bx7PCS

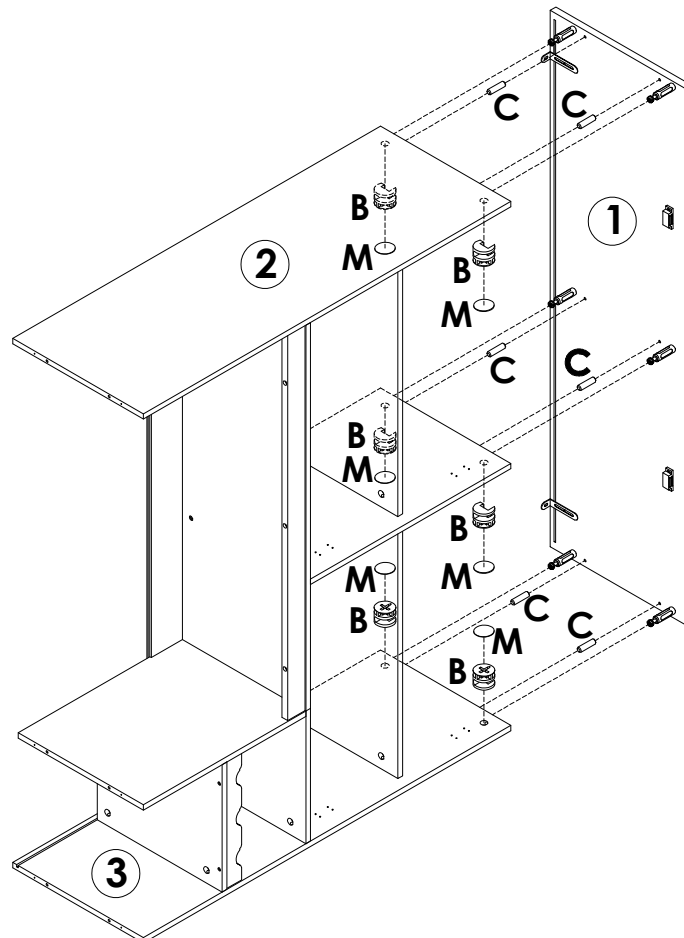
Assembly Steps(EN) / Montageschritte(DE)




STEP 28 Lock the long side of the "Q" L-shaped metal plate to the board with the "T" short screw



	Wx4PCS
	Tx2PCS
	Qx2PCS
	Jx2PCS
	Ax6PCS

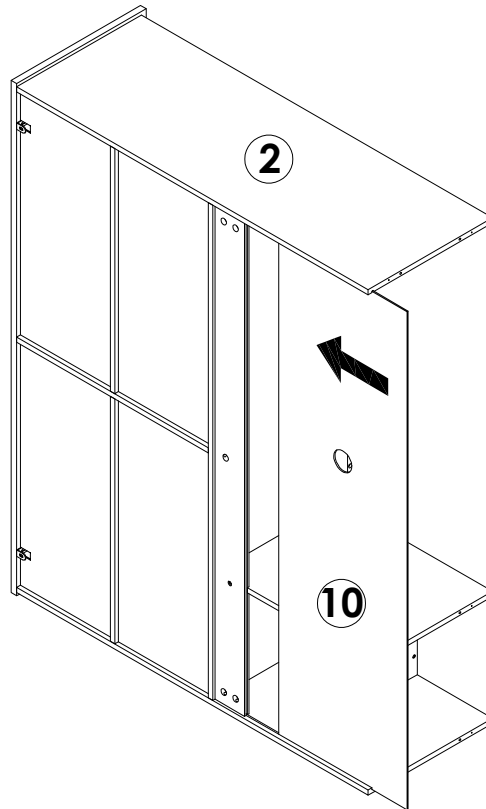
STEP 29



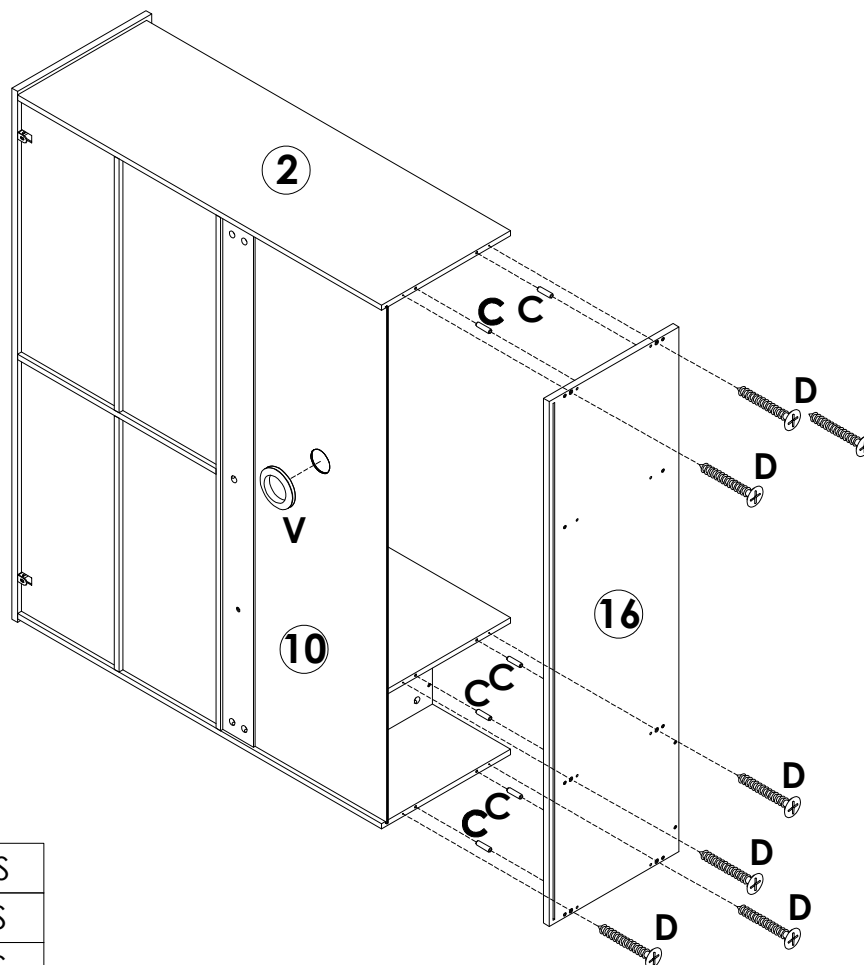
	Bx6PCS
	Cx6PCS
	Mx6PCS




Assembly Steps(EN) / Montageschritte(DE)

STEP 30



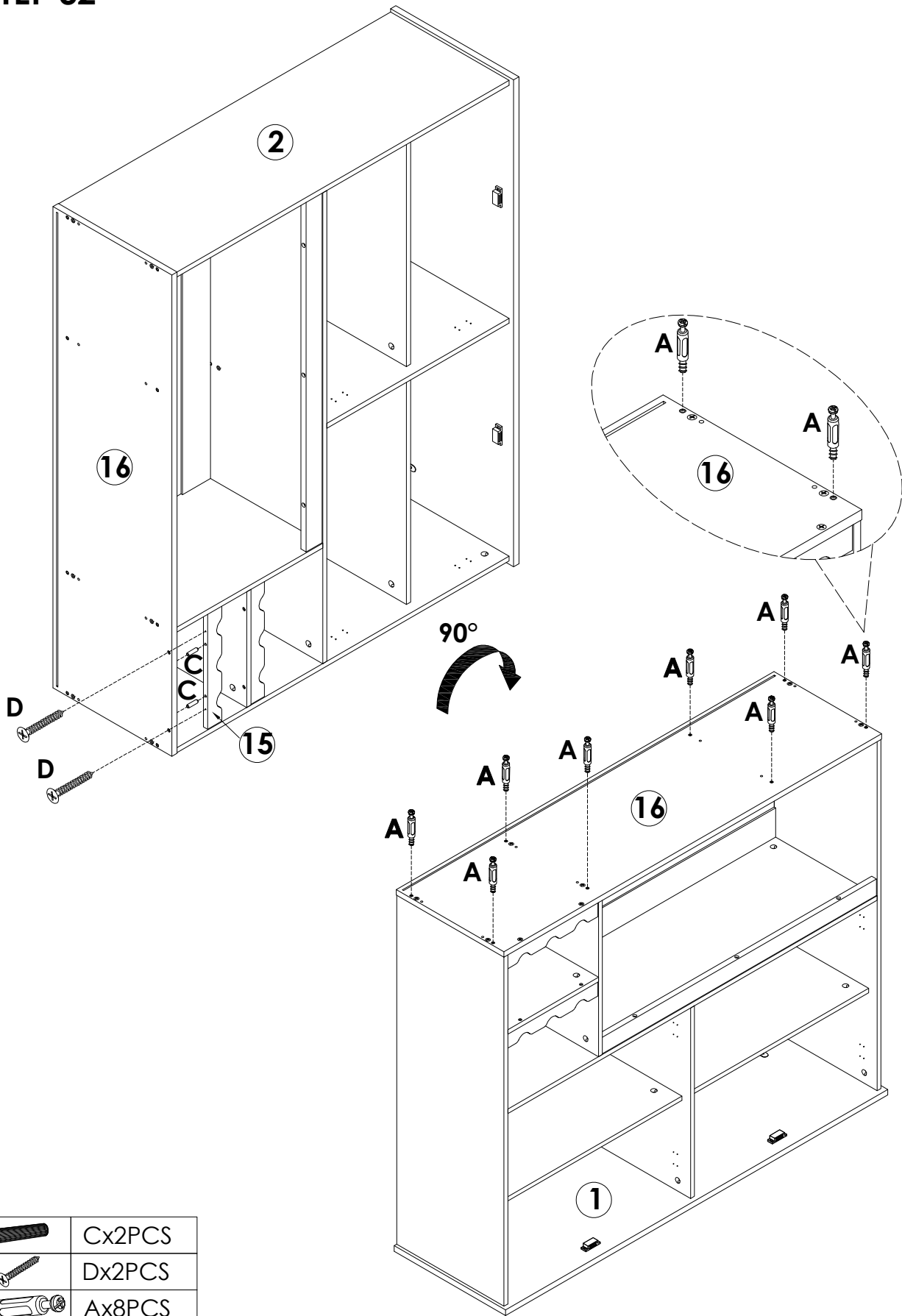
STEP 31






	Cx6PCS
	Dx6PCS
	Vx1PCS

Assembly Steps(EN) / Montageschritte(DE)

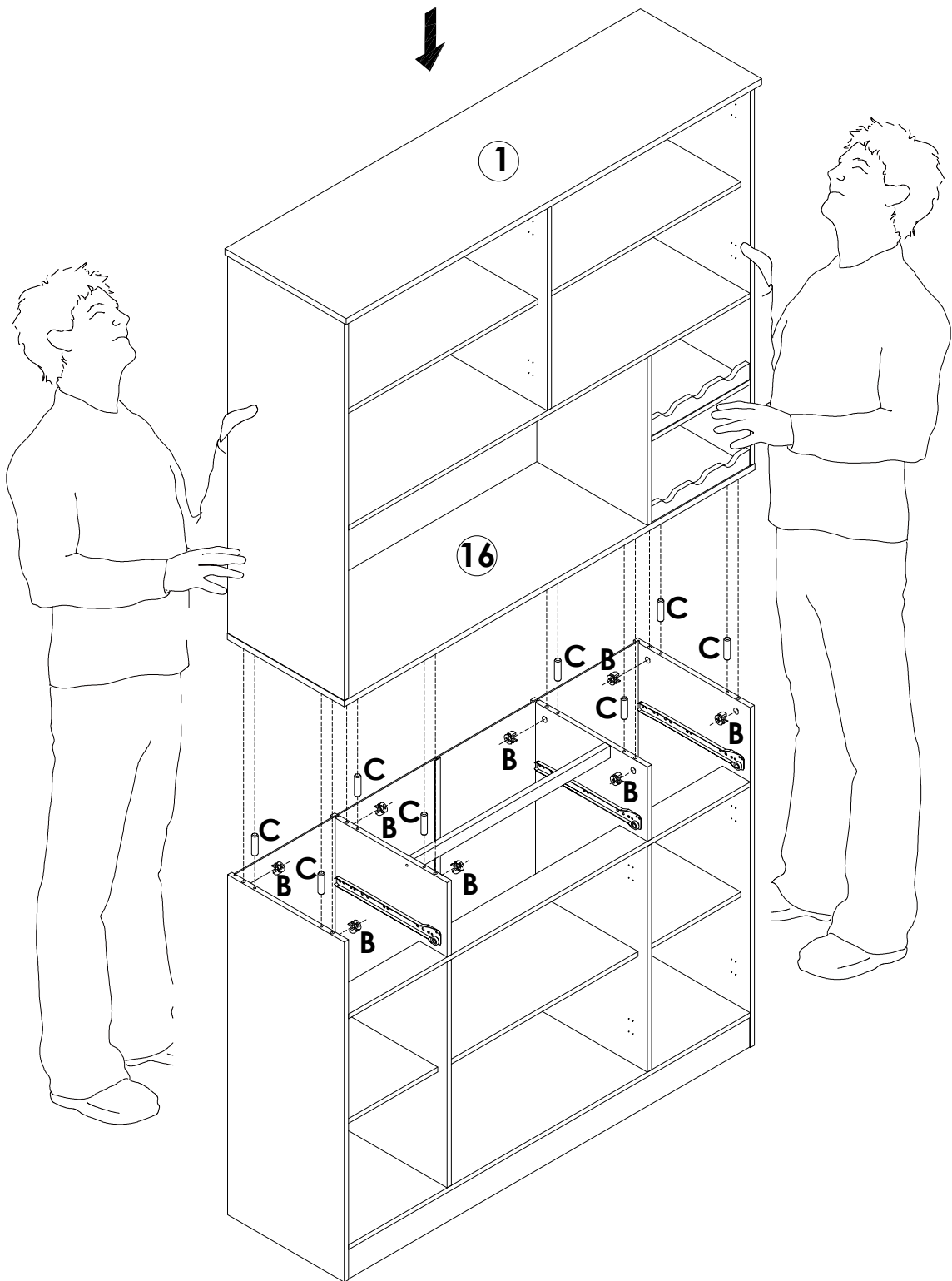
STEP 32





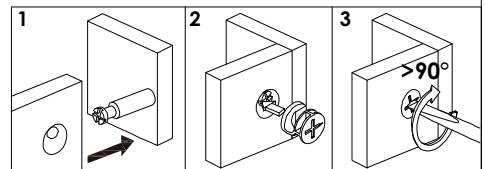
	Cx2PCS
	Dx2PCS
	Ax8PCS

Assembly Steps(EN) / Montageschritte(DE)

STEP 33

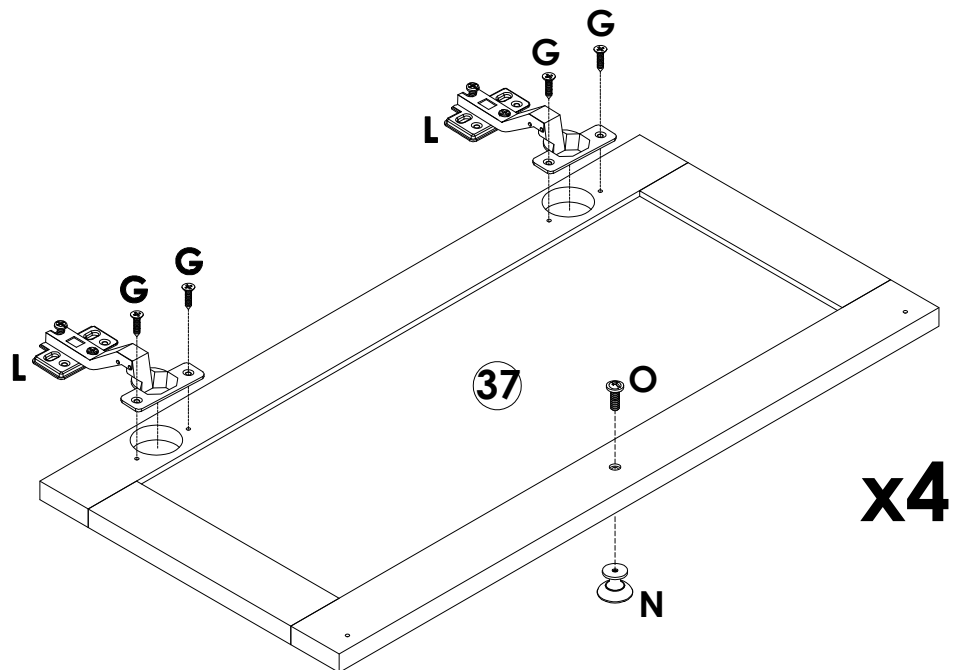
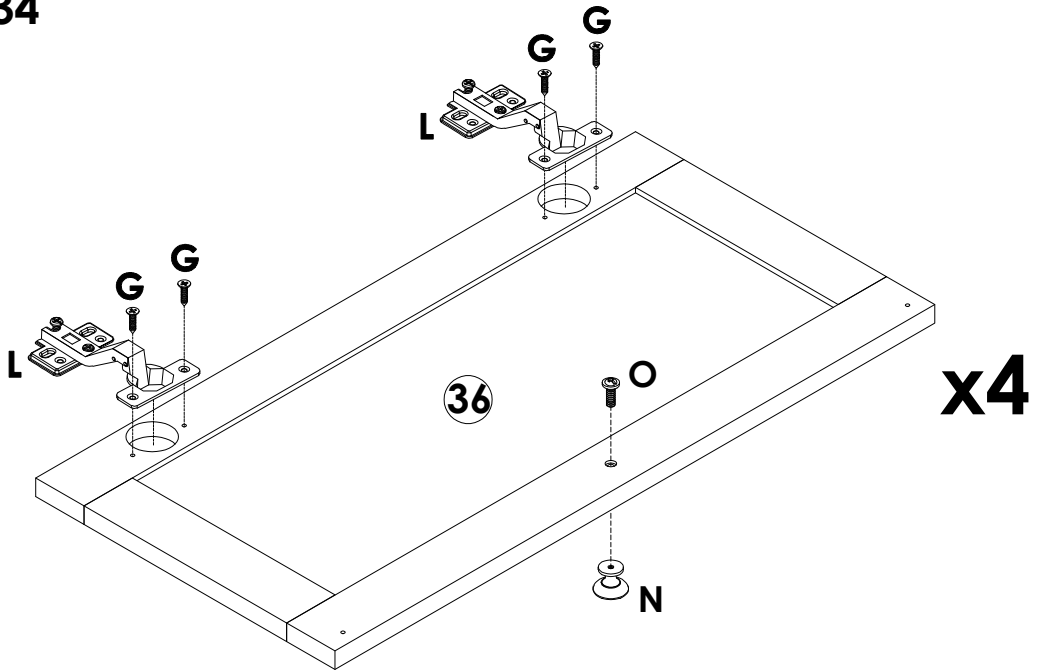






	Cx8PCS
	Bx8PCS



Assembly Steps(EN) / Montageschritte(DE)

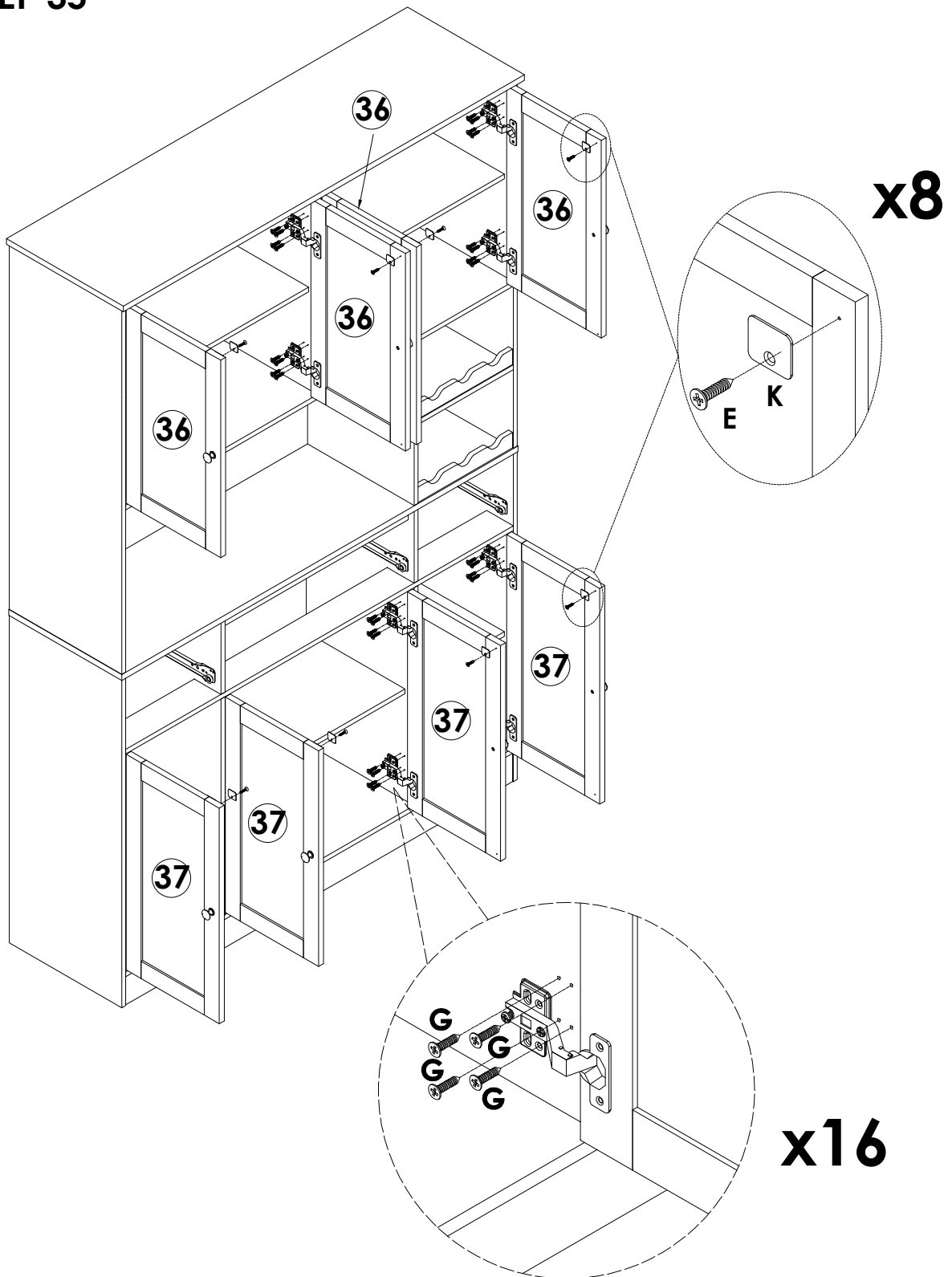
STEP 34



	Ox8PCS
	Nx8PCS
	Lx16PCS
	Gx32PCS

Assembly Steps(EN) / Montageschritte(DE)

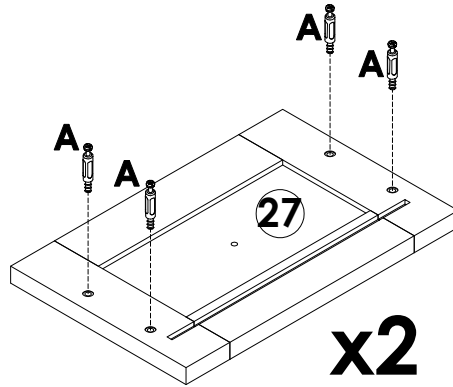
STEP 35



	Ex8PCS
	Kx8PCS
	Gx64PCS

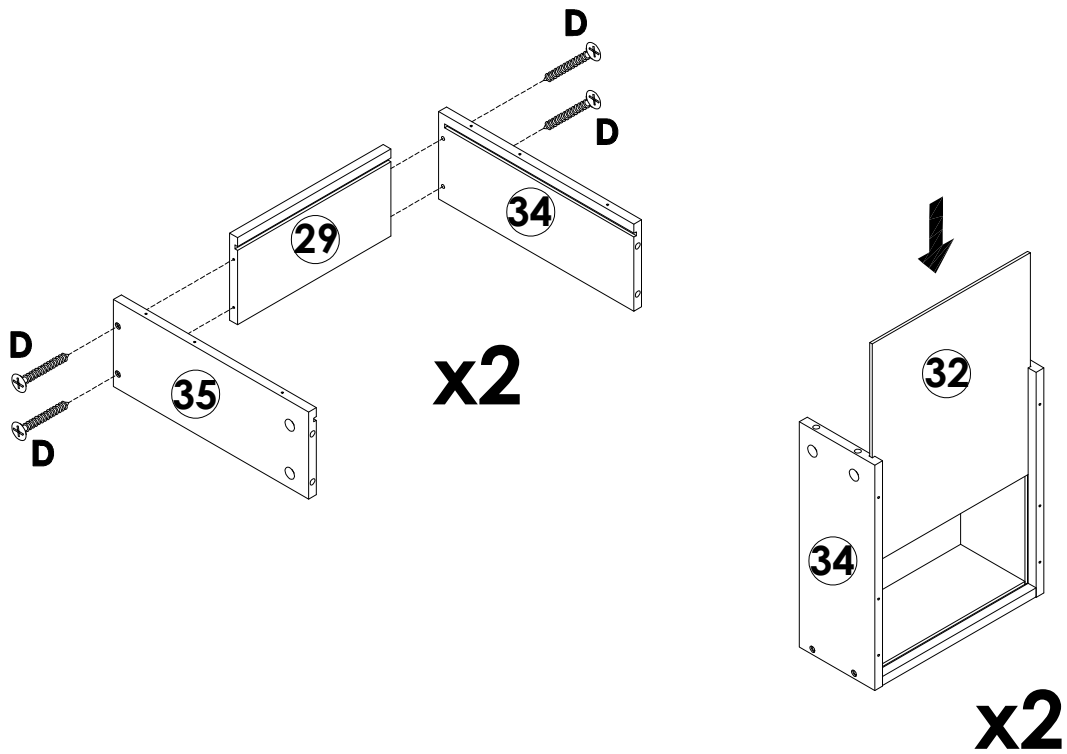
Assembly Steps(EN) / Montageschritte(DE)

STEP 36



Ax4PCS

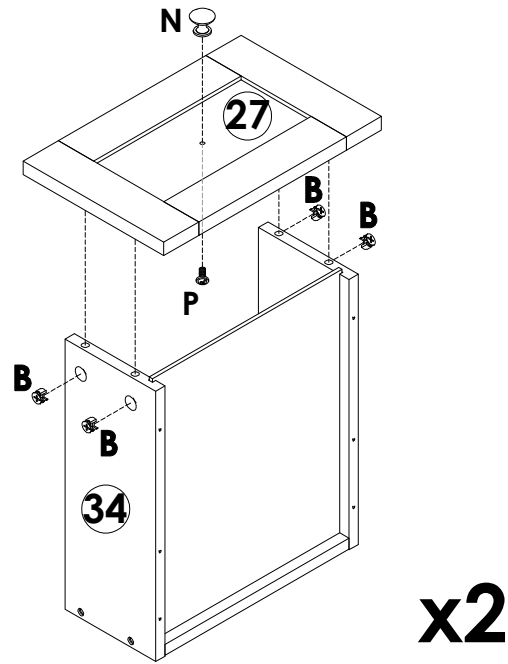
STEP 37






Dx8PCS

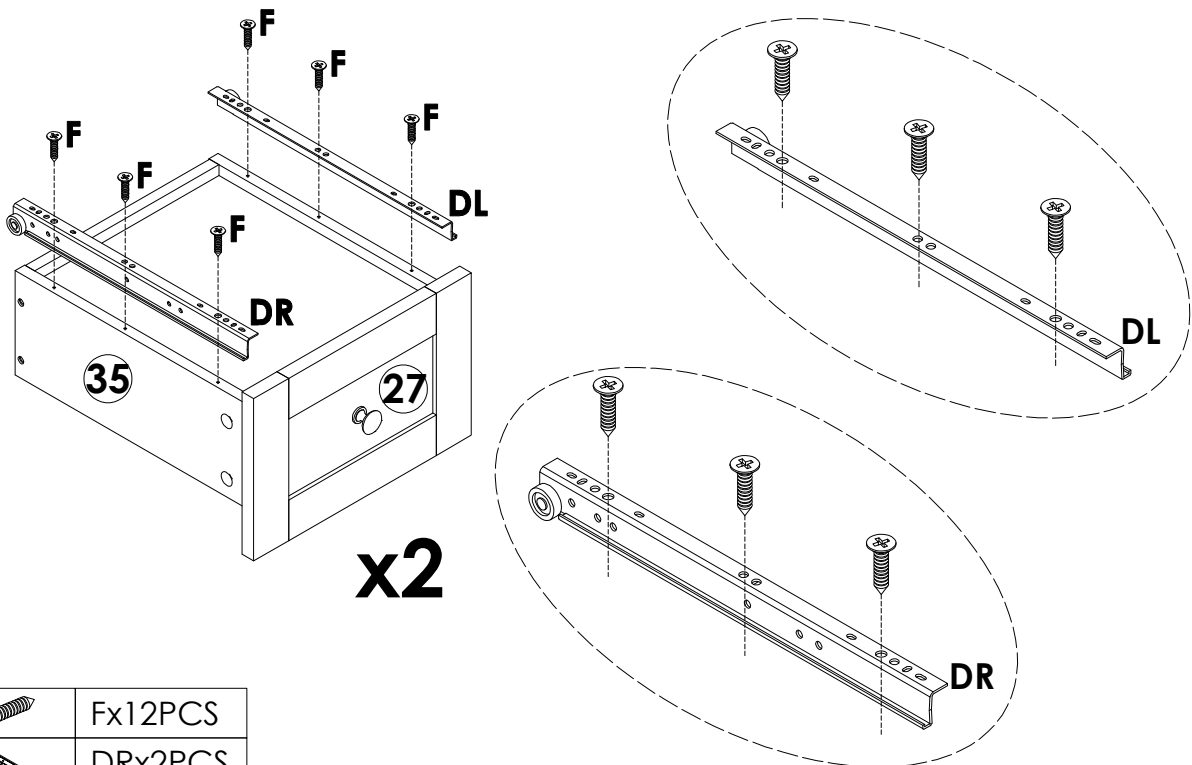
Assembly Steps(EN) / Montageschritte(DE)




STEP 38



	Px2PCS
	Nx2PCS
	Bx8PCS

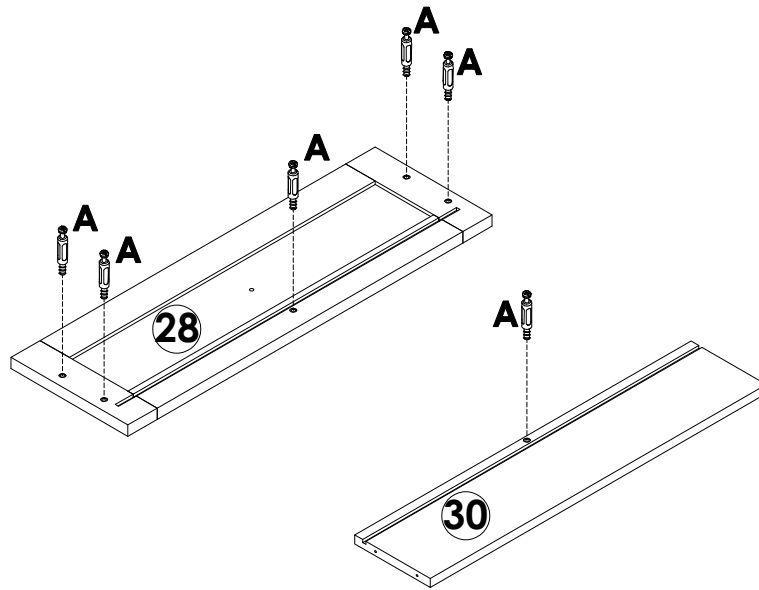
STEP 39



	Fx12PCS
	DRx2PCS
	DLx2PCS

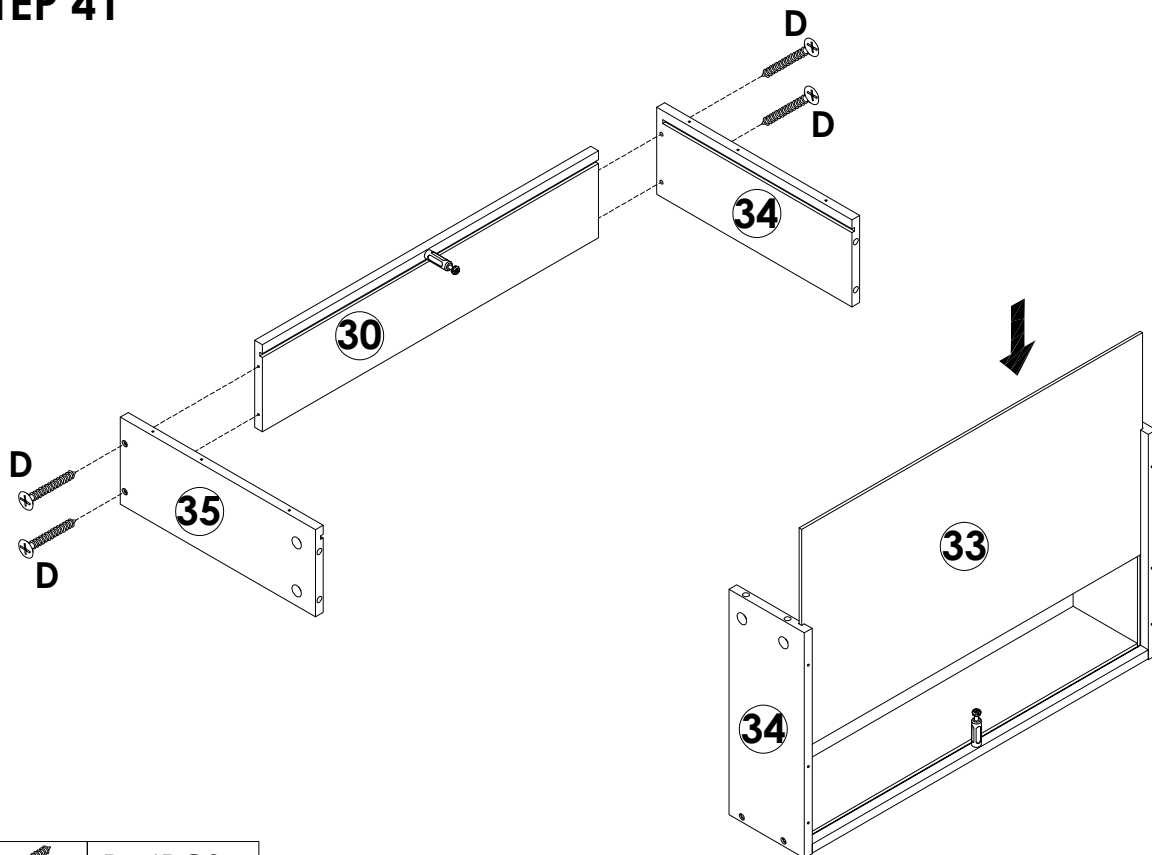
Assembly Steps(EN) / Montageschritte(DE)

STEP 40



Ax6PCS

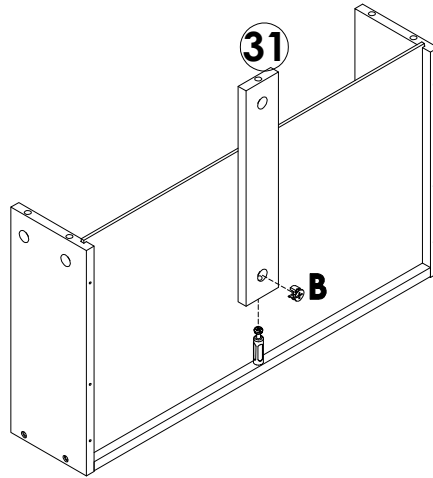
STEP 41



Dx4PCS

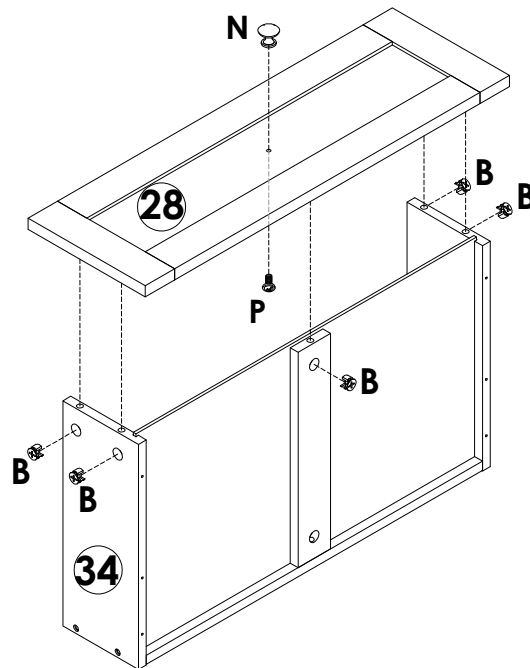
Assembly Steps(EN) / Montageschritte(DE)

STEP 42



Bx1PCS

STEP 43



Px1PCS



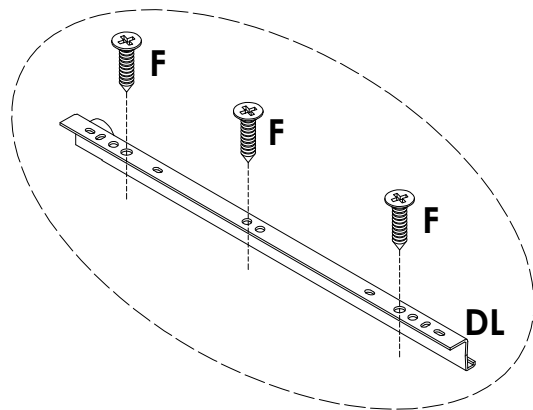
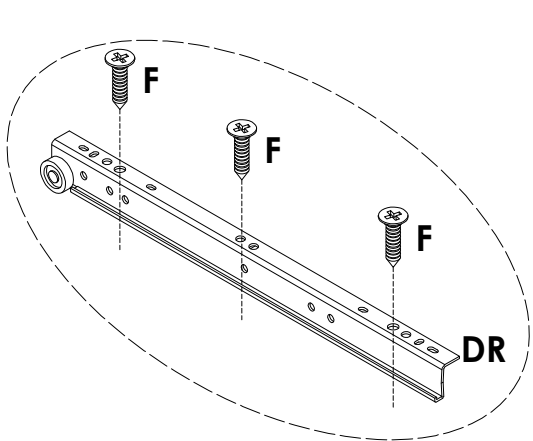
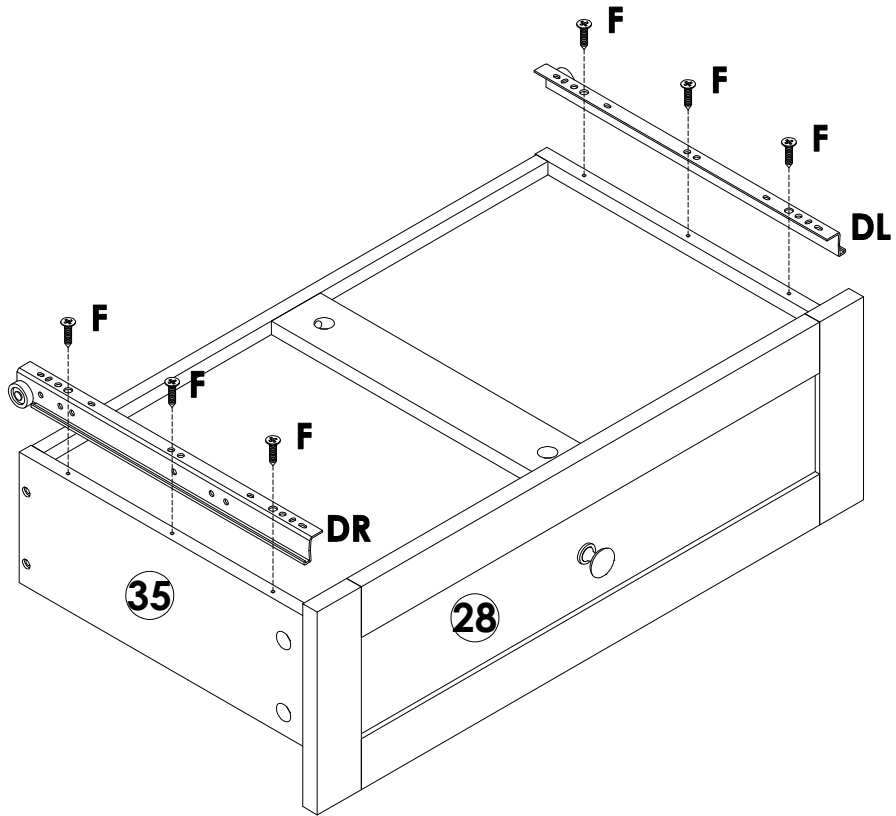
Nx1PCS






Bx5PCS

Assembly Steps(EN) / Montageschritte(DE)

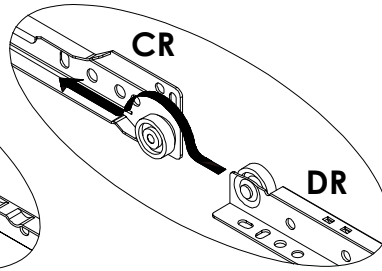
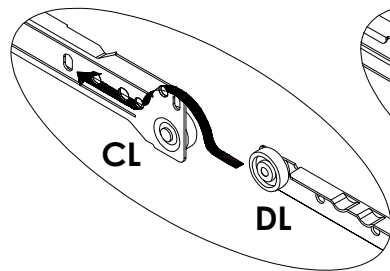
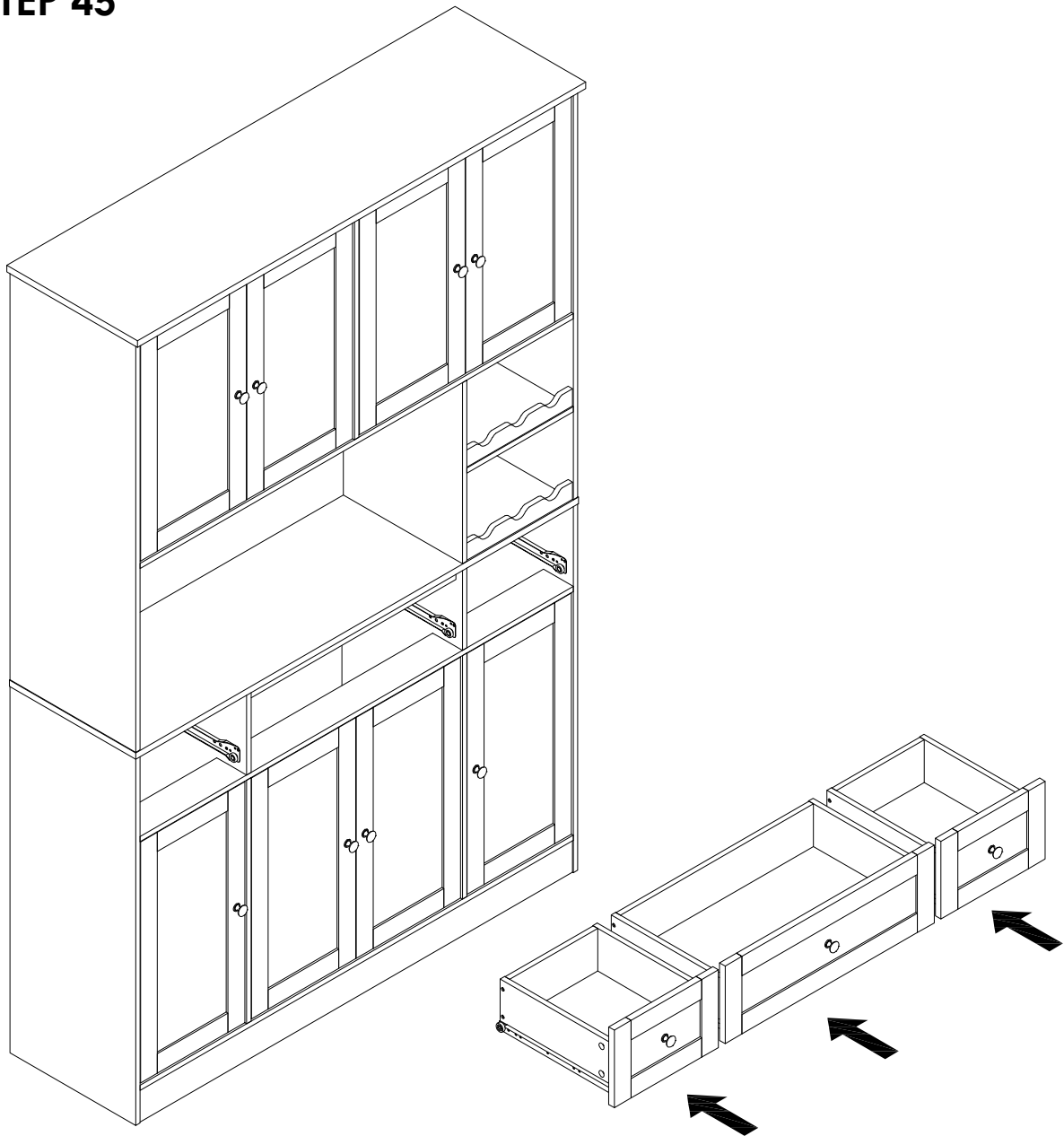
STEP 44



	Fx6PCS
	DRx1PCS
	DLx1PCS

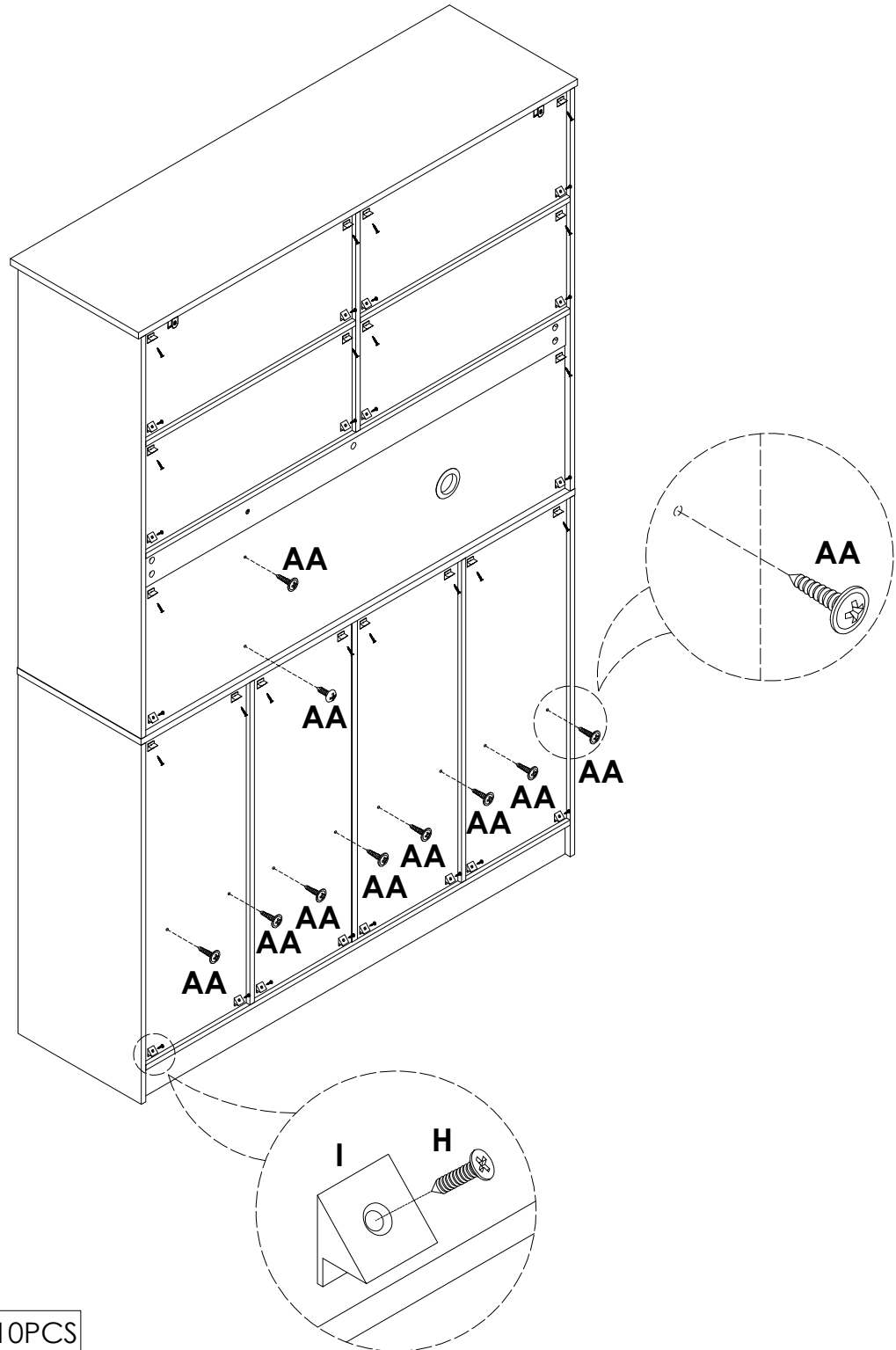
Assembly Steps(EN) / Montageschritte(DE)




STEP 45



Assembly Steps(EN) / Montageschritte(DE)

STEP 46

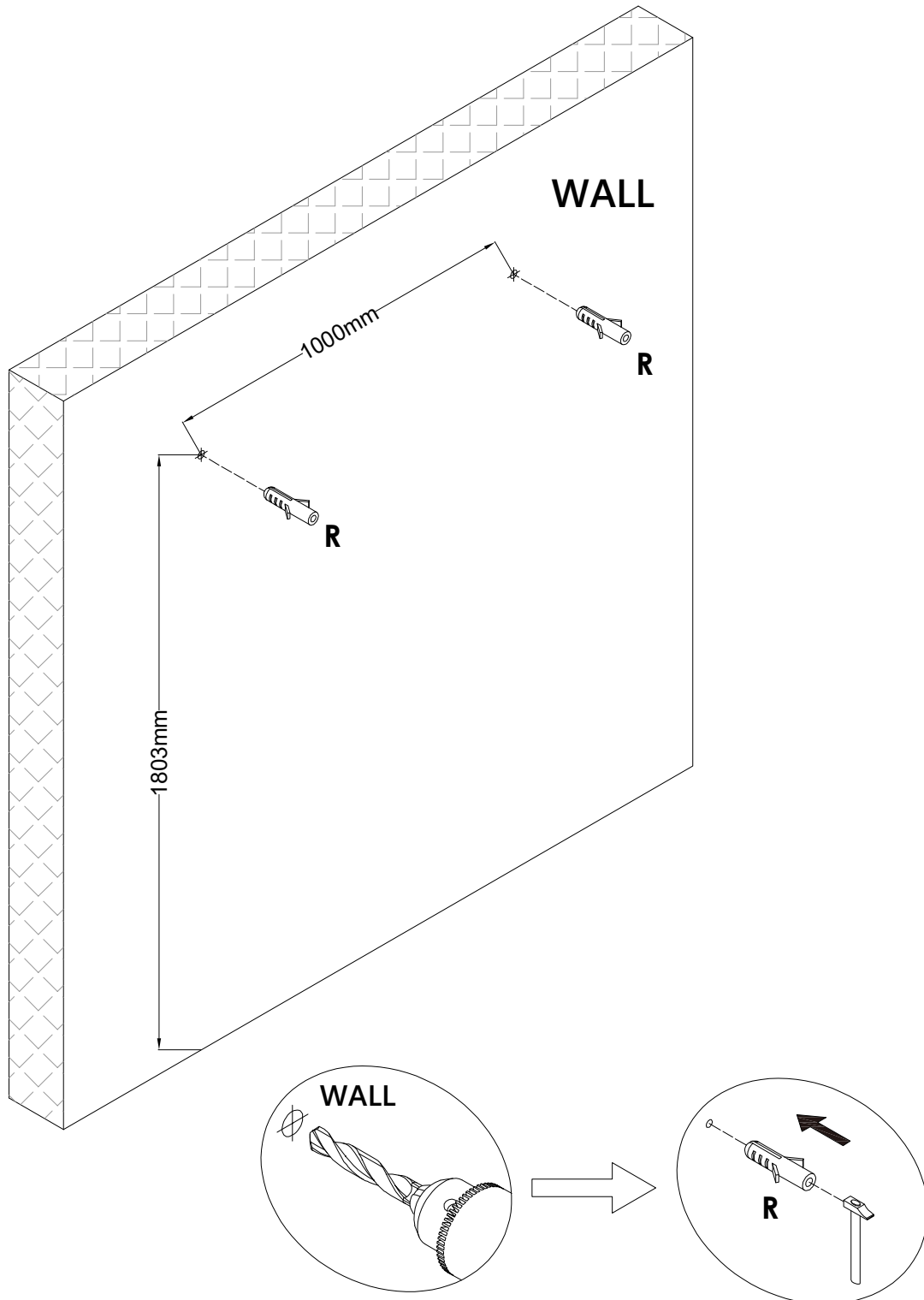


	AAx10PCS
	Ix36PCS
	Hx36PCS

Assembly Steps(EN) / Montageschritte(DE)

STEP 47

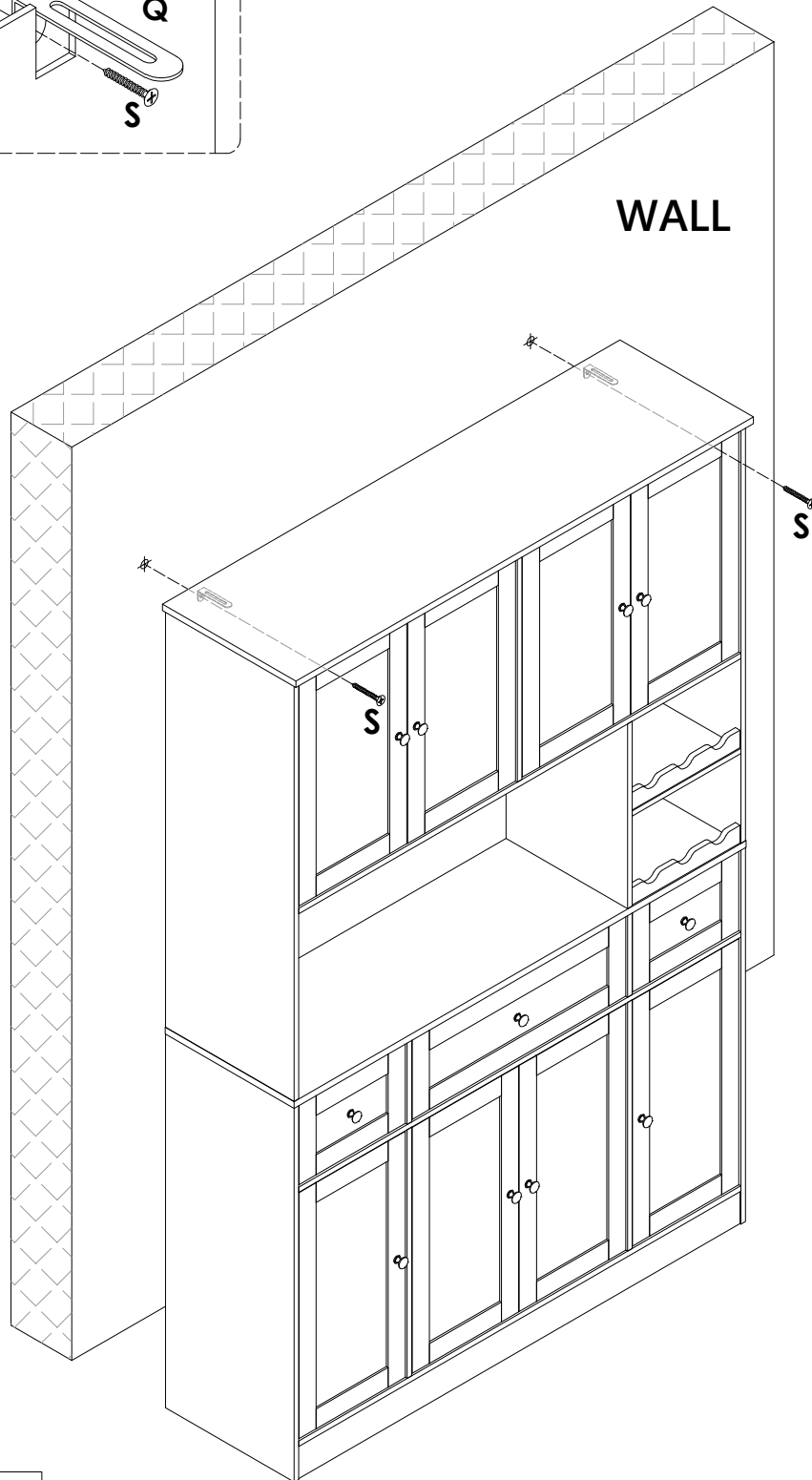
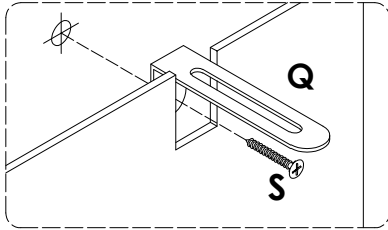
Drill 2 holes on the wall at the required position for anti-falling device installation.



Rx2PCS

Assembly Steps(EN) / Montageschritte(DE)

STEP 48 Move the cabinet to the required position, use the "S" long screw to fix the cabinet to the wall.

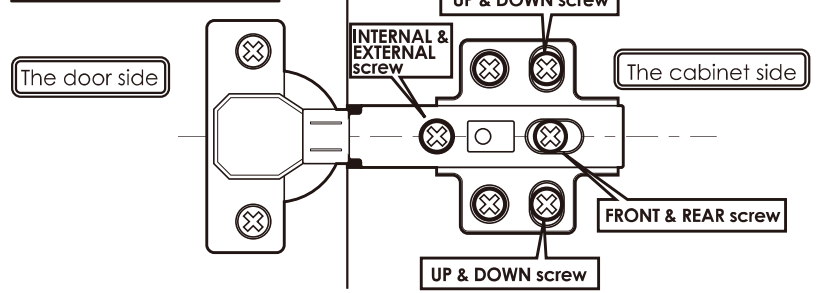


Sx2PCS

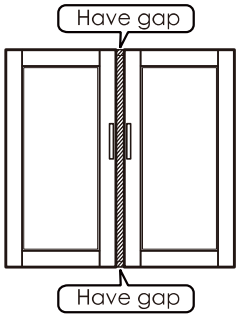
The ways to adjust the door

- Before adjusting the hinge, please check whether the cabinet is skewed.
- If the skew can not be repaired, please remove the anti-tipping device first, then adjust the cabinet to vertical position.
- Please adjust the hinge with the door open.
- Please operate it with more than 2 people, one person holds the door and the other one adjusts the screw.

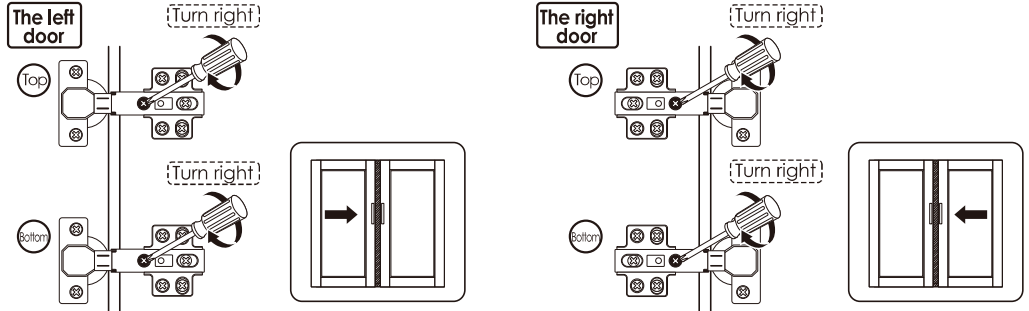
Components Name



Obvious gaps between doors or Doors don't look closed



- 1 Turn "internal & external screw" to the right can make the door approach inside. Please adjust the doors little by little.



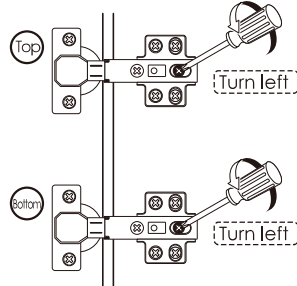
※ If the 2 doors are overlap, please turn the "internal & external screw" to the left.

When door is crooked



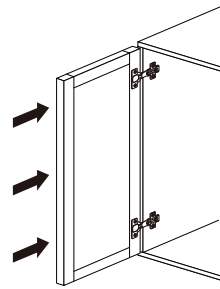
Please take the following steps to adjust first.

- 1 Rotate the "front and rear screws" to the left

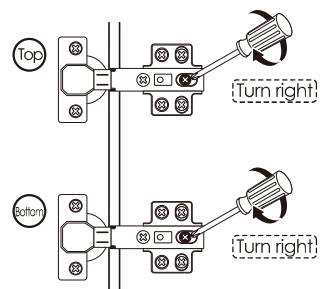


※ After adjusting the "front and rear screw", the door still does not change, please turn the "internal & external screw" to the right slightly.

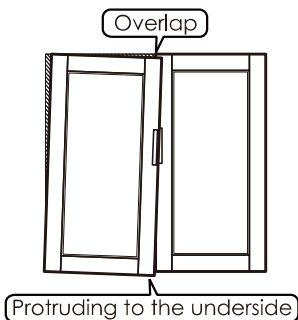
- 2 Push the door to the cabinet



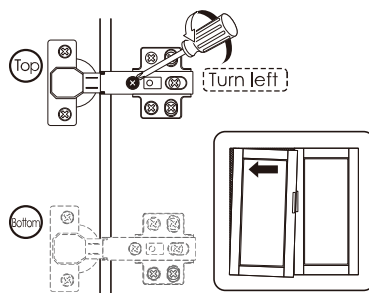
- 3 Rotate the "front and rear screws" to the right



When door is leaning



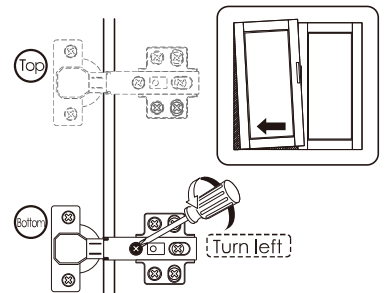
- 1 Turn "internal & external screw" to the left can make the top of the door tilted outward.



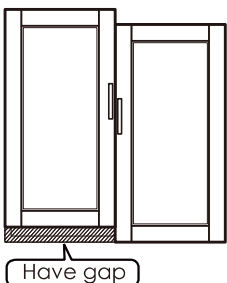
Protruding to the upside



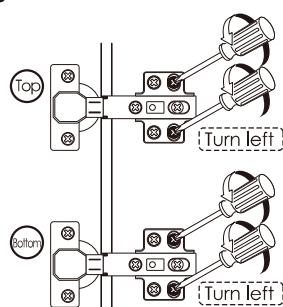
- 1 Turn "internal & external screw" to the left can make the bottom of the door tilted outward.



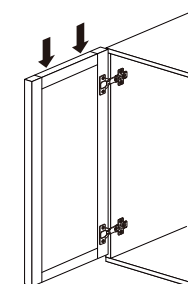
When the door is higher on top



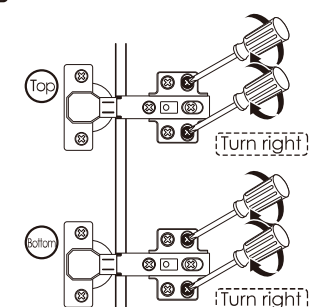
- 1 Turn "up & down screw" to the left



- 2 Lower the door's height so that 2 doors are of the same height.



- 3 Turn "up & down screw" to the right



※ If the door is lower on bottom, please lift up the left door slightly on step 2



WARNING



Children have died from furniture tipover. To reduce the risk of furniture tipover:

- **ALWAYS** install Anti-tip device provided.
- **NEVER** put a TV on this product.
- **NEVER** allow children to stand, climb or hang on any drawers, doors, or shelves.
- **NEVER** open more than one drawer at a time.
- Place heaviest items in the lowest drawers.



***This is a permanent label.
Do not remove!***