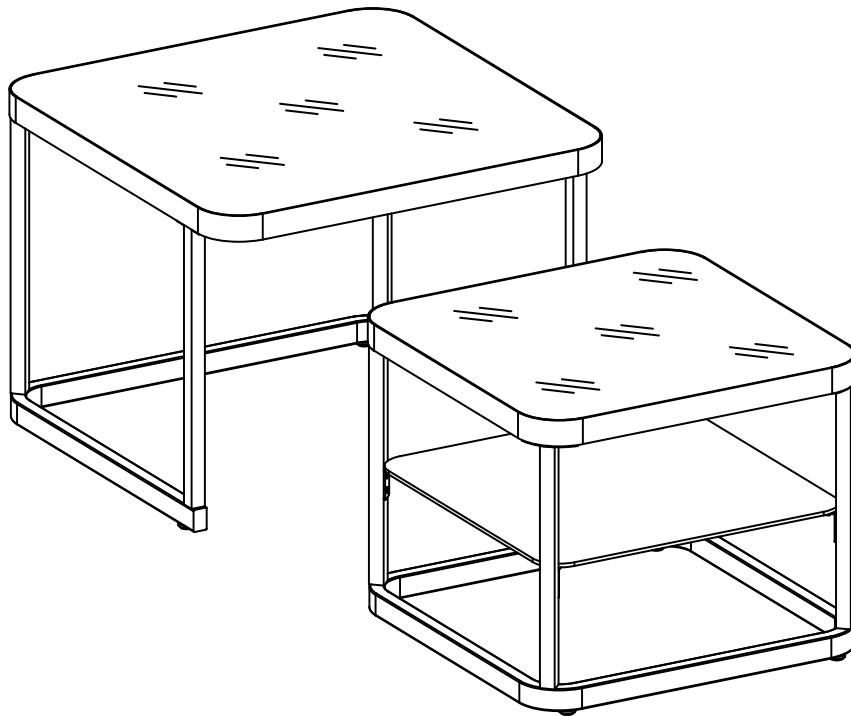


Coffee Table

Assembly Instructions - Please keep for future reference



Dimensions	Dimensions
Width-2.36inch Depth-2.36inch Height-1.77inch	Width-1.97inch Depth-1.97inch Height-1.575inch

Important - Please read these Instructions fully before starting assembly



Safety and Care Advice

Important – Please read these instructions fully before starting assembly

- Check you have all the components and tools listed on the following pages.

- Remove all fittings from the plastic bags and separate them into their groups.

- Keep children and animals away from the work area, small parts could choke if swallowed.

- Make sure you have enough space to layout the parts before starting.

- During assembly do not stand or put weight on the product, this could cause damage.

- Assemble the item as close to its final position (in the same room) as possible.

- Assemble on a soft level surface to avoid damaging the unit or your floor.

- Parts of the assembly will be easier with 2 people.



power drill is set on a low torque setting.

- To reduce the likelihood of damaging your product please ensure that your

Care and maintenance

- Only clean using a damp cloth and mild detergent, do not use bleach or abrasive cleaners.

- From time to time check that there are no loose screws on this unit.

- This product should not be discarded with household waste. Take to your local authority waste disposal centre.

Handy Hints

- Assemble all parts and bolts loosely during assembly, only once the product is complete should you fully tighten the bolts

- Regularly check and ensure That all bolts and fittings are tightend properly.

WARNING

In order to help prevent overturning – please follow these instructions



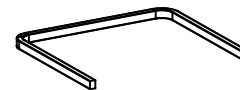
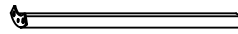
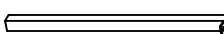

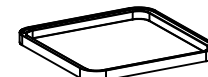



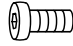
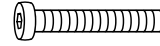




To help prevent product toppling over please follow the below steps:-

- Use the anti tip stap or wall fixing method provided (if applicable)
- Do not allow children to climb or hang on the furniture
- Do not open more than one drawer at a time
- Do not place heavy items in the top drawers
- Do not place heavy items on top of the furniture, unless the furniture has been designed for this purpose

Components - Fittings

Please check you have all the panels listed below

Note: The quantities below are the correct amount to complete the assembly. In some cases more fittings may be supplied than are required.

			
① ×1PC	② ×1PC	③ ×1PC	④ ×2PCS
			
⑤ ×2PCS	⑥ ×1PC	⑦ ×1PC	⑧ ×1PC
			
⑨ ×1PC	⑩ ×4PCS		
			
Ⓐ ×24PCS	Ⓑ ×8PCS	Ⓒ ×12PCS	Ⓓ ×8PCS
			
Ⓔ ×4PCS	Ⓕ ×1PC		

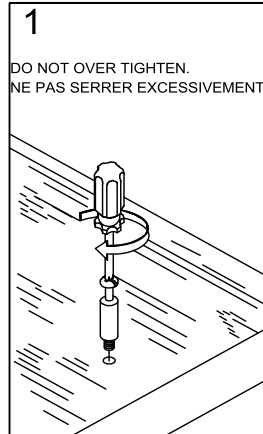
Tools required

Phillips screwdriver
(medium & large)

Using Camlocks

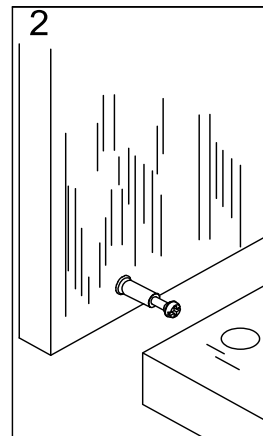
Step 1

Connect the male camlock as directed in the assembly instructions using a screwdriver.



Step 2

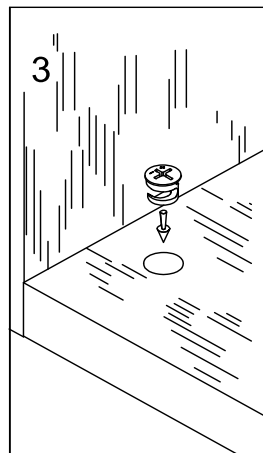
Push the male camlock into the entry hole.



Step 3

Insert the female camlock as shown in the instruction.

Note: ensure that the arrow on the top of the camlock points towards the entry hole for the male camlock.

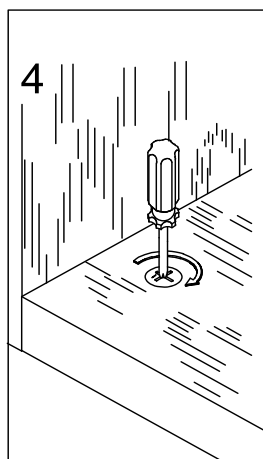


Step 4

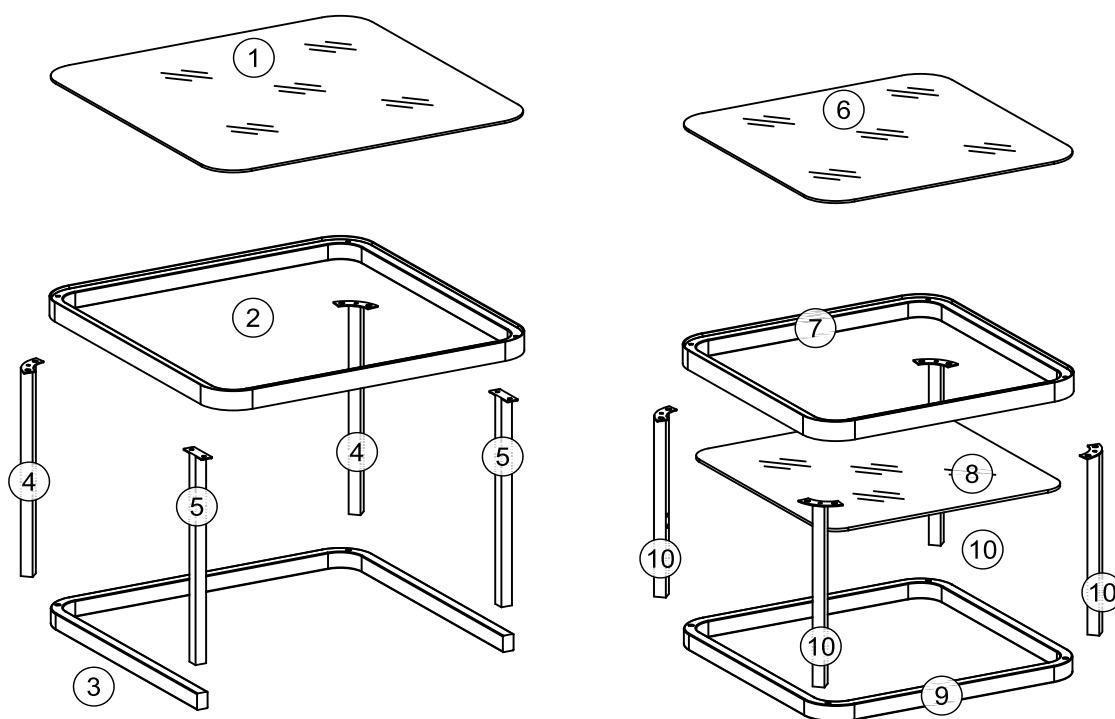
Turn the female camlock clockwise with a screwdriver.

You should feel a click when the camlock is locked in place.

The joint is now secure.

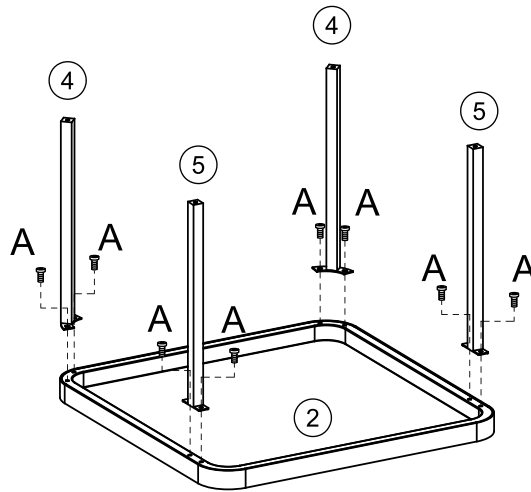


Assembly Instructions



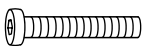
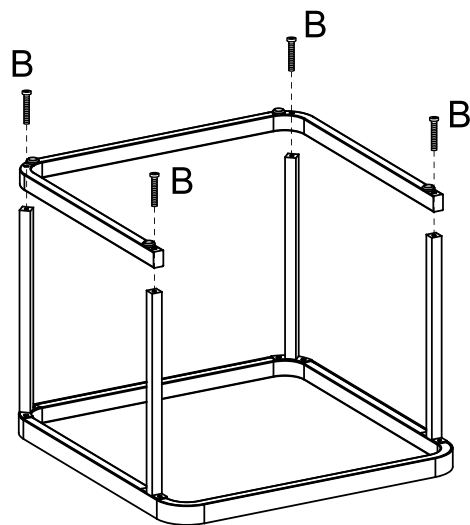
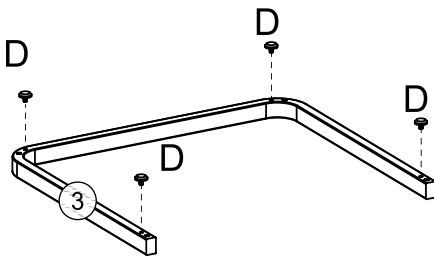
Assembly Instructions

Step 1



(A) ×8PCS

Step 2



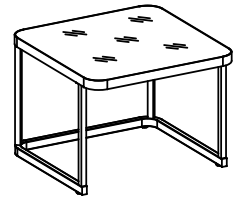
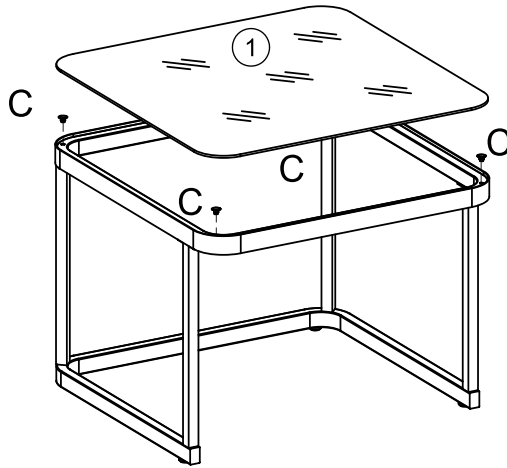
(B) ×4PCS



(D) ×4PCS

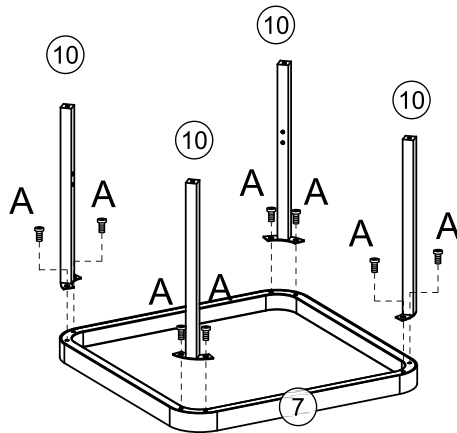
Assembly Instructions

Step 3



C ×4PCS

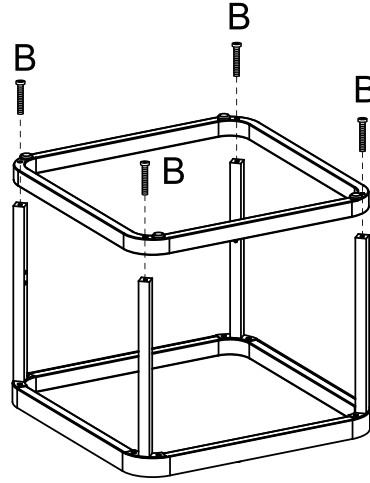
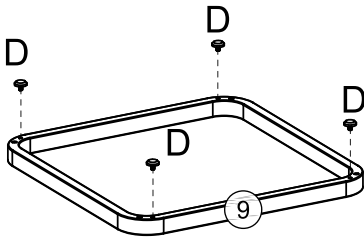
Step 4

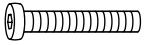



A ×8PCS

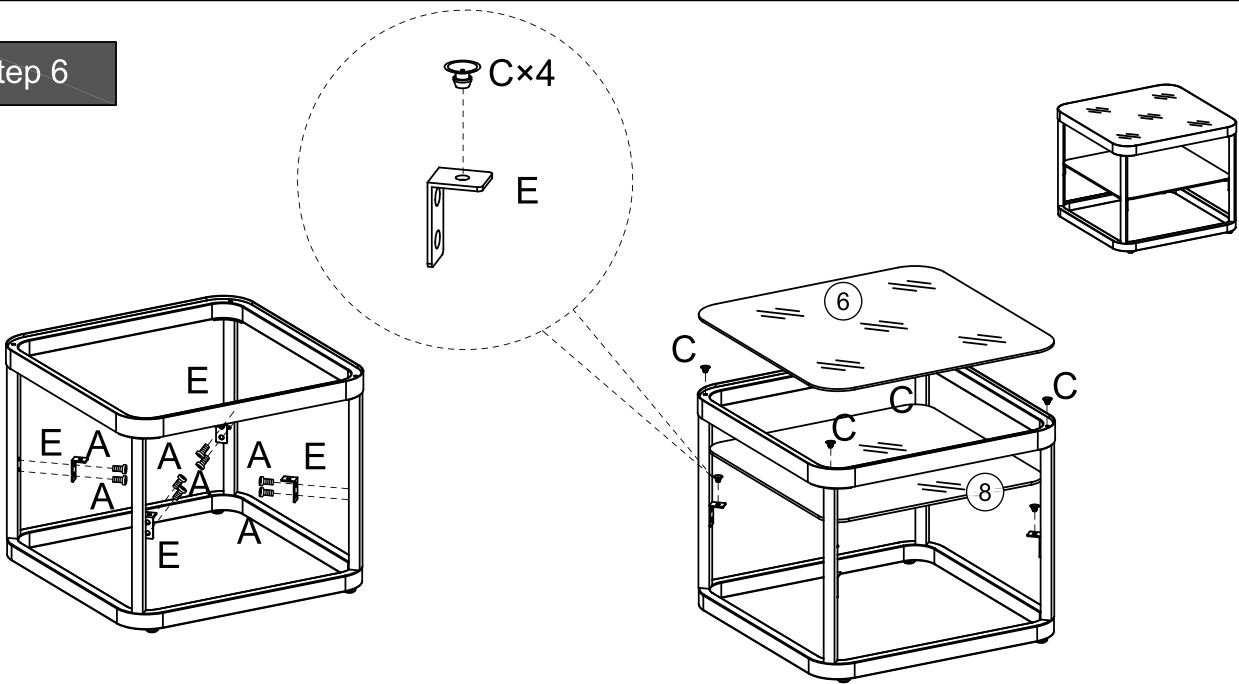
Assembly Instructions

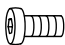


Step 5



	
(B) ×4PCS	(D) ×4PCS

Step 6



		
(A) ×8PCS	(C) ×8PCS	(E) ×4PCS

Assembly Instructions

Step 7

