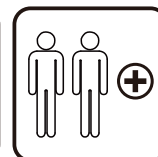
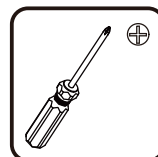
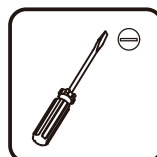
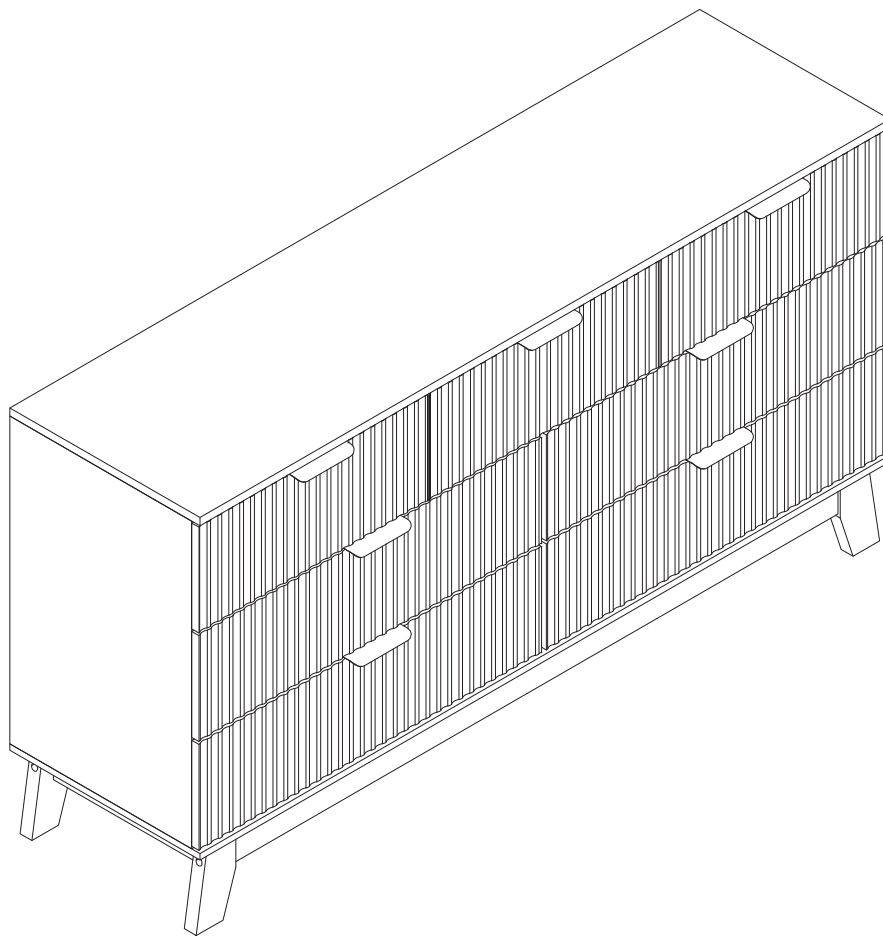


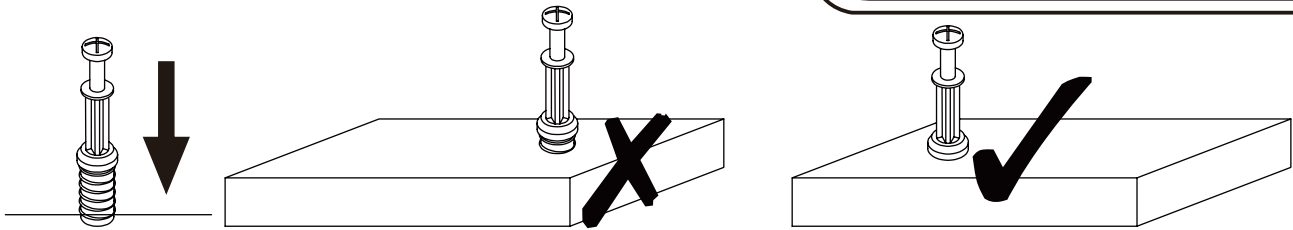
Installation & Assembly

Version:1.0

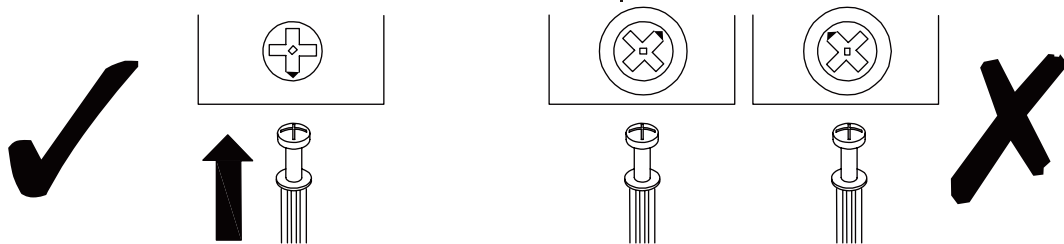


EN_IMPORTANT, RETAIN FOR FUTURE REFERENCE: READ CAREFULLY.

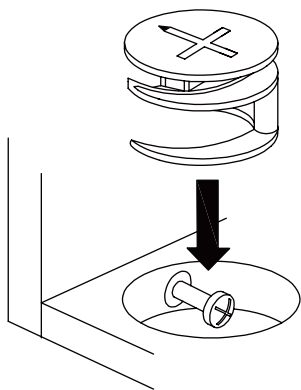
USING CAM LOCK AND QUICKFIT



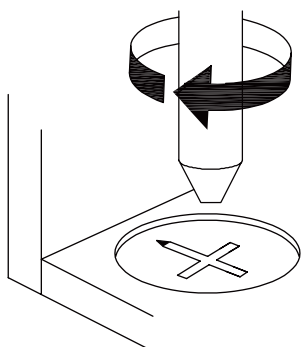
EN_QUICKFIT: Tighten quickfit until shoulder is flush with panel. Do not overtighten or undertighten.



EN_CAM LOCK: When fitting cam lock, ensure starting position is correct before you insert connecting quickfit.

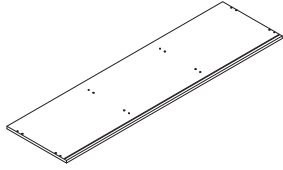
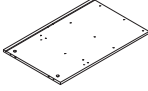
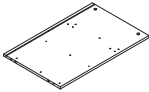
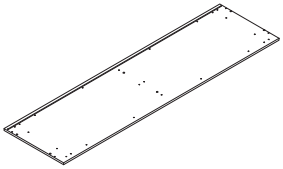
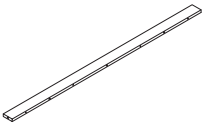

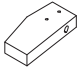
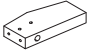
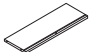
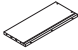


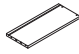

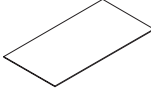
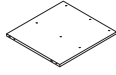
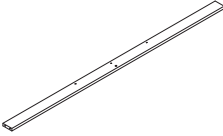
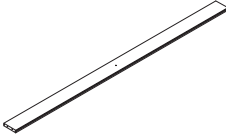
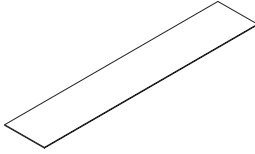
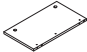
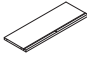
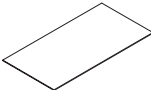
EN_Quickfit head should be in the centre of the cam lock when the two panels are joined.
Cam lock should be inserted before quickfit.




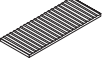
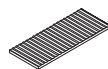
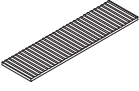
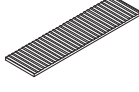
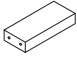
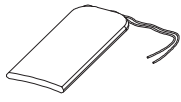
EN_Turn cam lock clockwise to tighten.

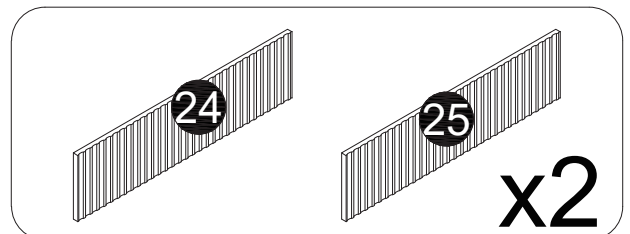
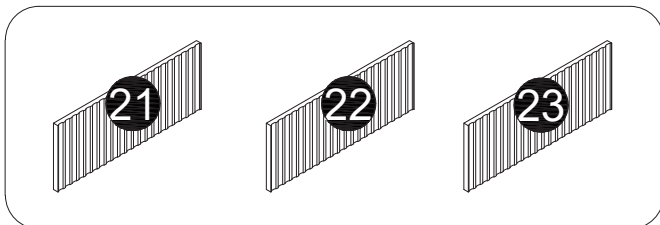
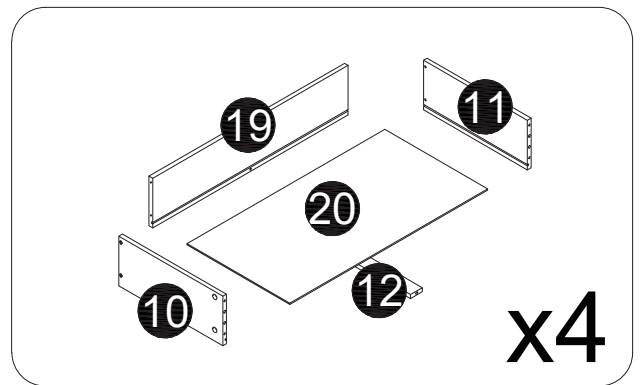
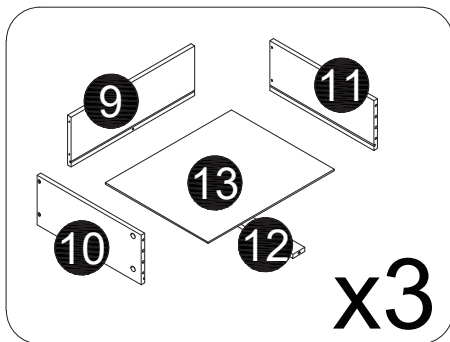
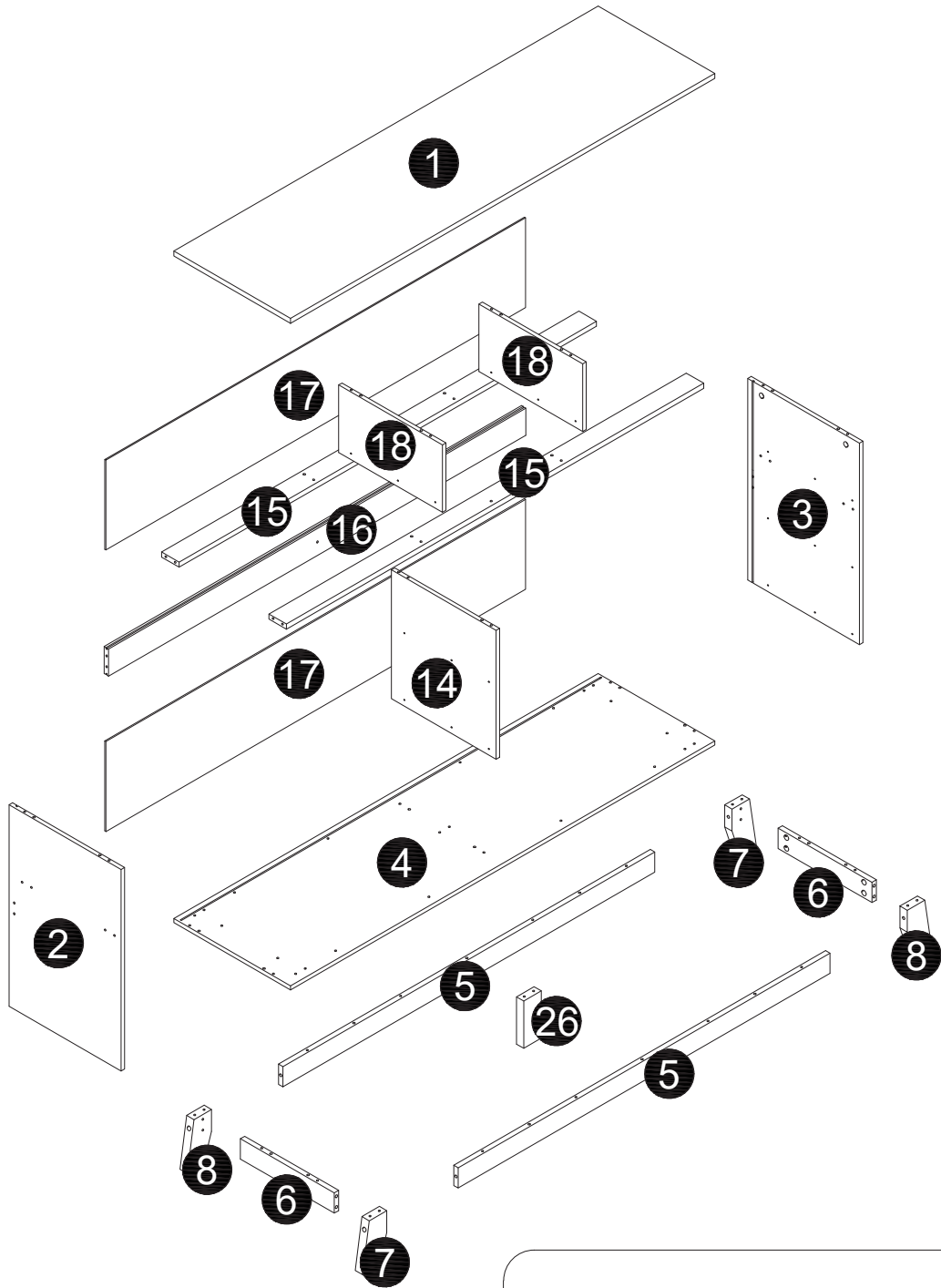
PACKING DETAILS

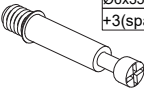
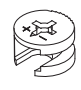
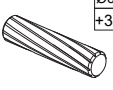
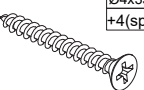
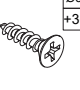
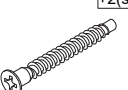

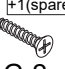

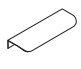
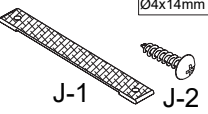







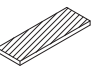
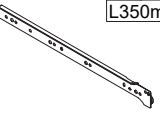
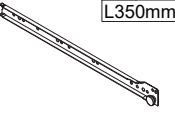
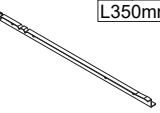
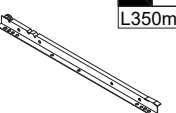
NO.	PARTS	QTY	SPARE
①		x1	
②		x1	
③		x1	
④		x1	
⑤		x2	
⑥		x2	
⑦		x2	
⑧		x2	
⑨		x3	
⑩		x7	

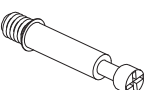

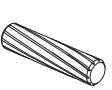
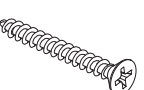
NO.	PARTS	QTY	SPARE
⑪		x7	
⑫		x7	
⑬		x3	
⑭		x1	
⑮		x2	
⑯		x1	
⑰		x2	
⑱		x2	
⑲		x4	
⑳		x4	

PACKING DETAILS

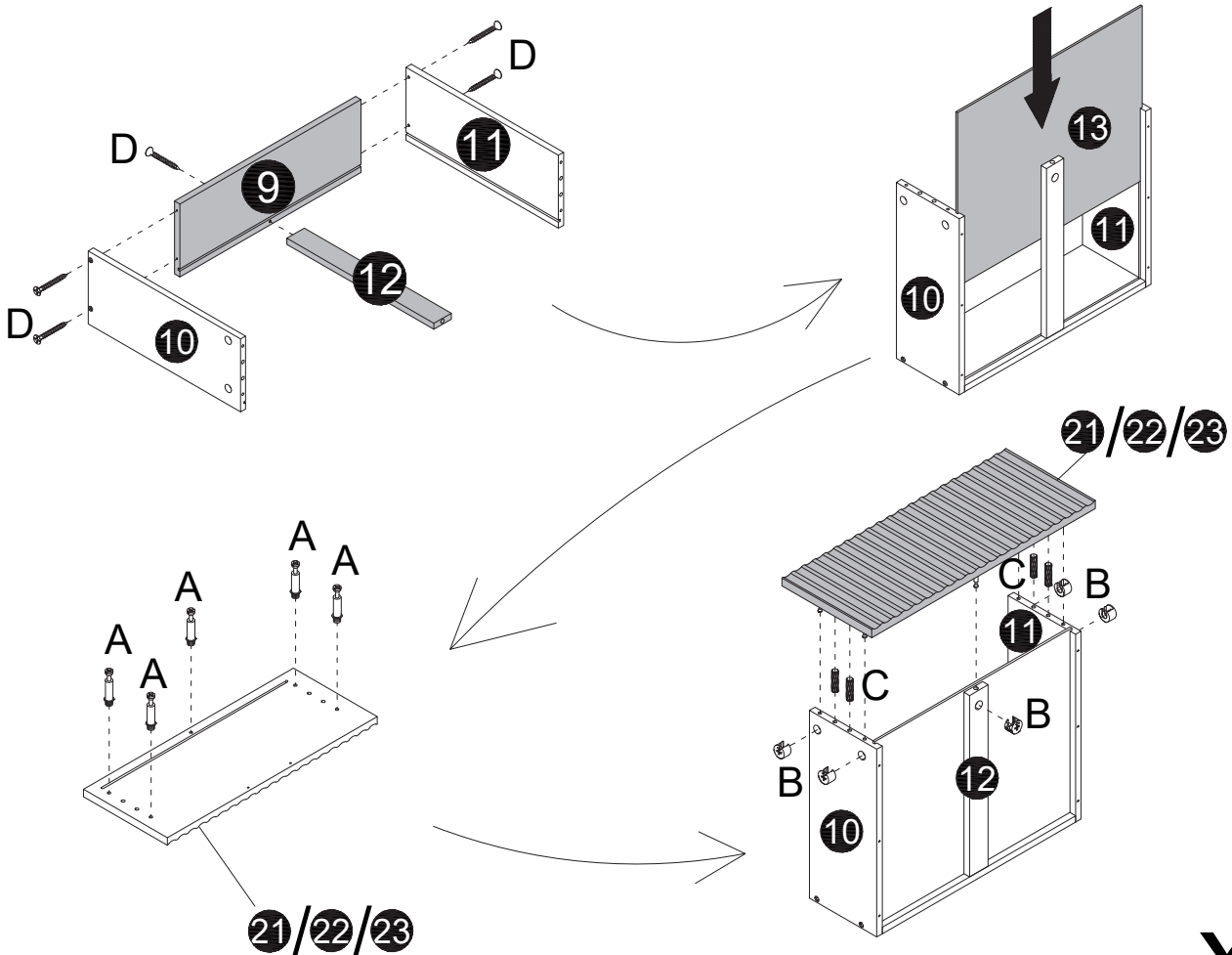
NO.	PARTS	QTY	SPARE
②1		x1	
②2		x1	
②3		x1	
②4		x2	
②5		x2	
②6		x1	
	 <p data-bbox="272 2011 469 2051">Hardware Kit</p>		



 <p>A x51 Ø6x35mm +3(spare)</p>	 <p>B x51 Ø15x10mm +3(spare)</p>	 <p>C x58 Ø6x30mm +3(spare)</p>	 <p>D x36 Ø4x35mm +4(spare)</p>	 <p>E x98 Ø3.5x12mm +3(spare)</p>	 <p>F x24 +2(spare)</p>
 <p>G-1</p>  <p>G-2 Ø3x16mm +1(spare)</p>	 <p>H x22 +2(spare)</p>	 <p>I x7</p>	 <p>J-1</p>  <p>J-2 Ø4x14mm</p>	 <p>K-1</p>  <p>K-2</p>	 <p>L x16 Ø15mm</p>
 <p>M-1</p>  <p>M-2</p>	 <p>N x1</p>	 <p>O x4</p>	 <p>CL x7 L350mm</p>	 <p>CR x7 L350mm</p>	 <p>DL x7 L350mm</p>
 <p>DR x7 L350mm</p>					

 <p>A x15</p>	 <p>B x15</p>	 <p>C x12</p>	 <p>D x15</p>
--	--	--	--

01

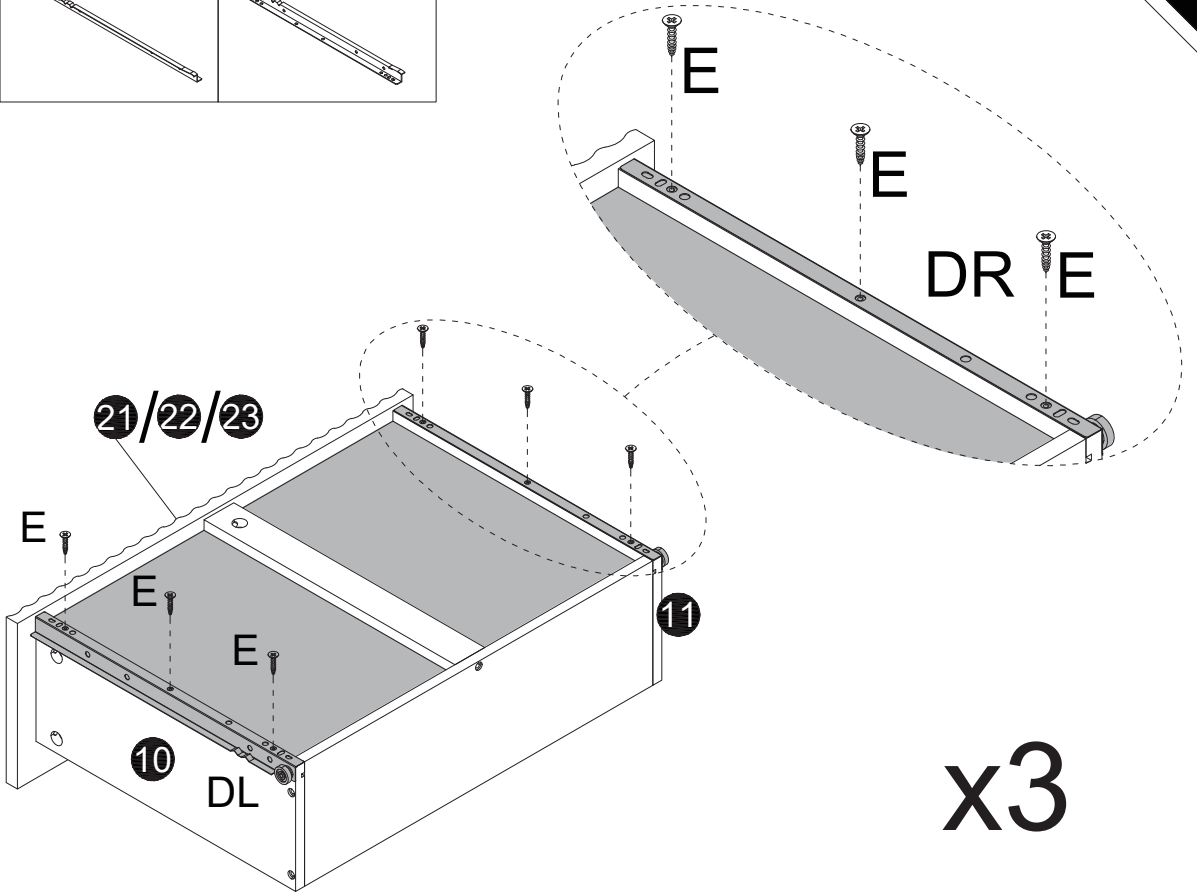
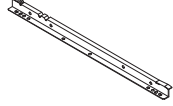
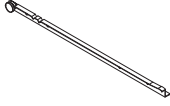


x3

E x18

DL x3

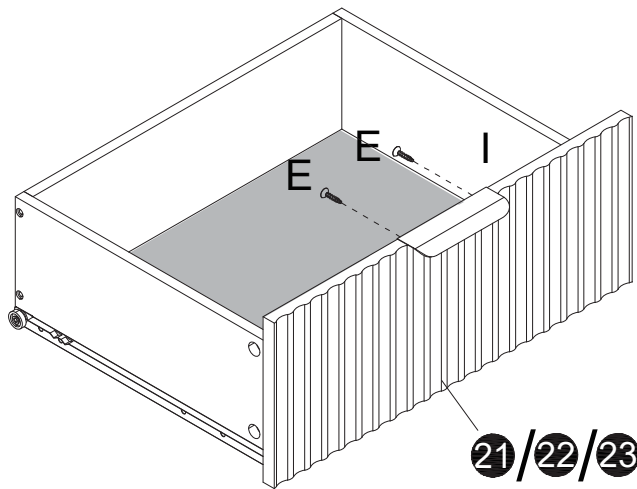
DR x3



x3

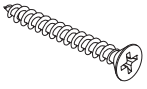
E x6

I x3

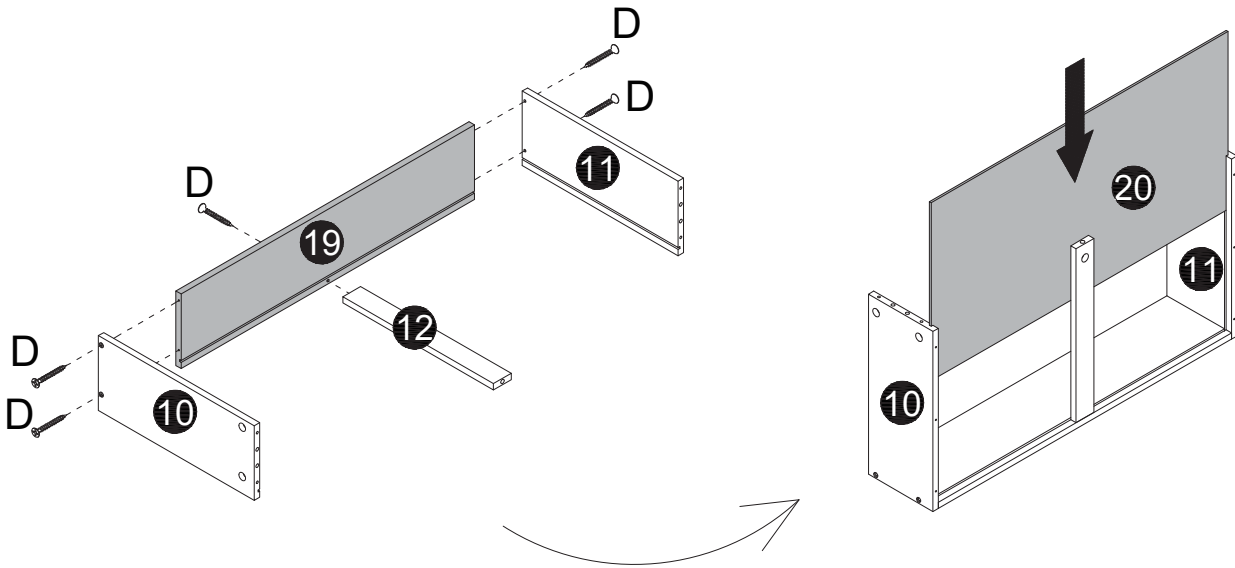


x3

D x20

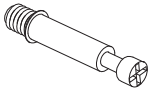


04



x4

A x20



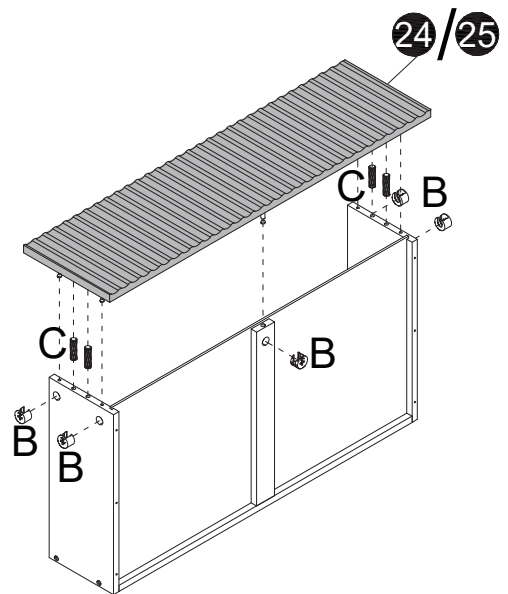
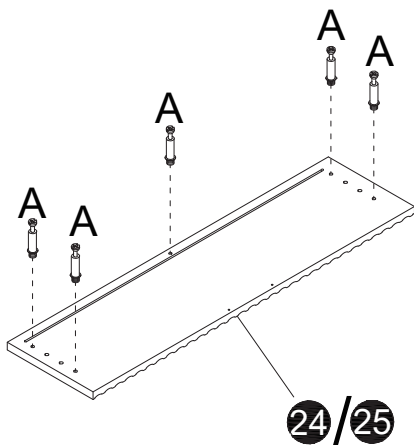
B x20



C x16



05

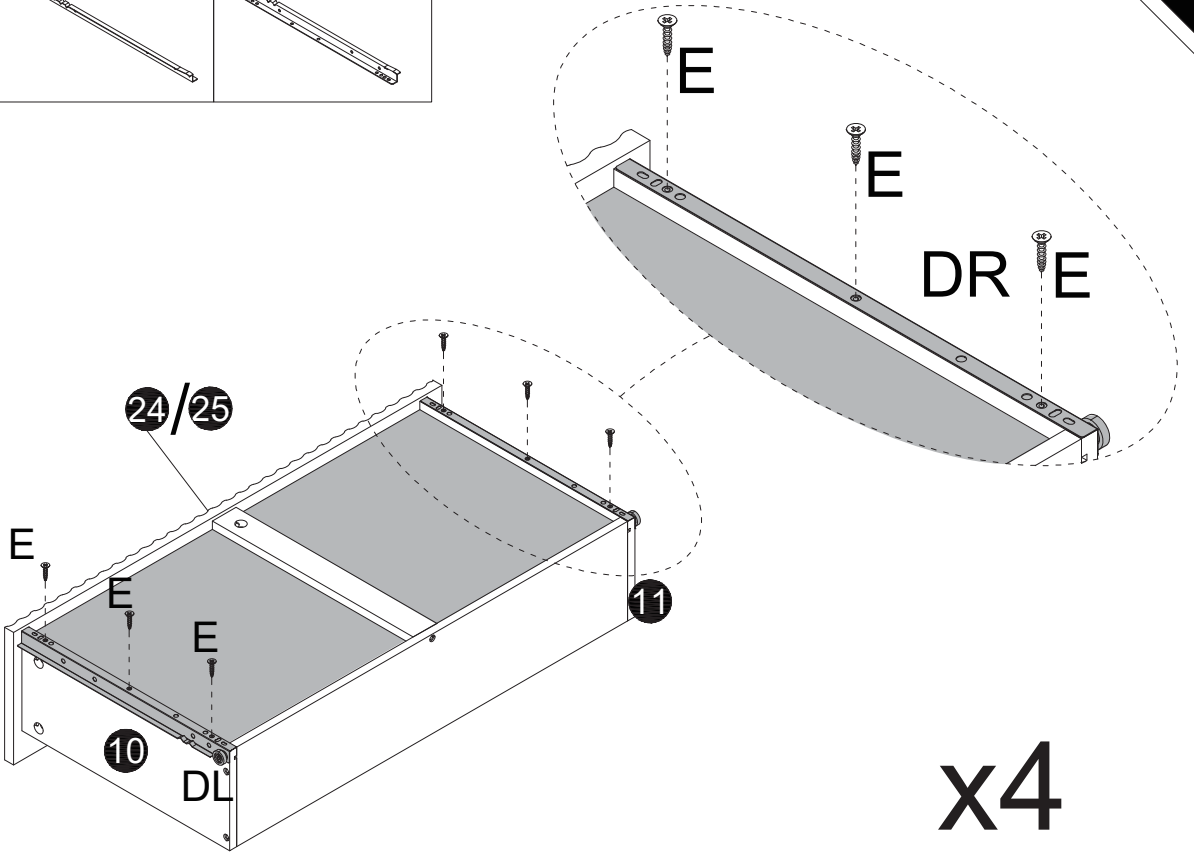
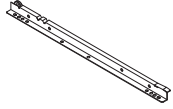
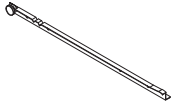


x4

E x24

DL x4

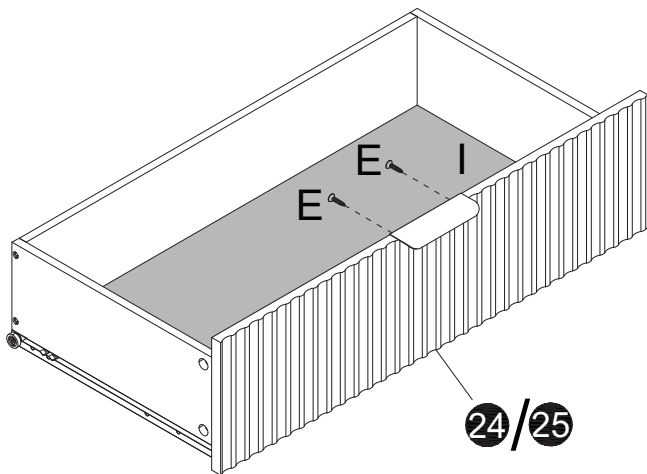
DR x4



x4

E x8

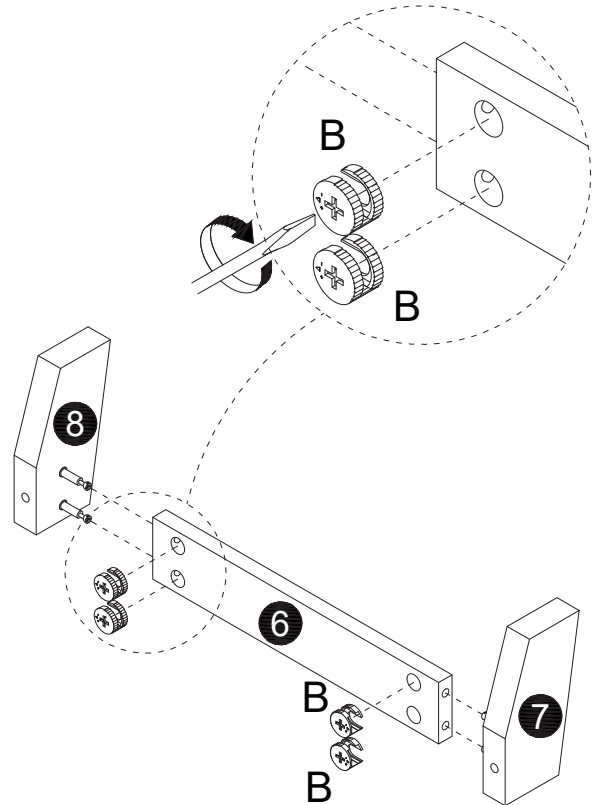
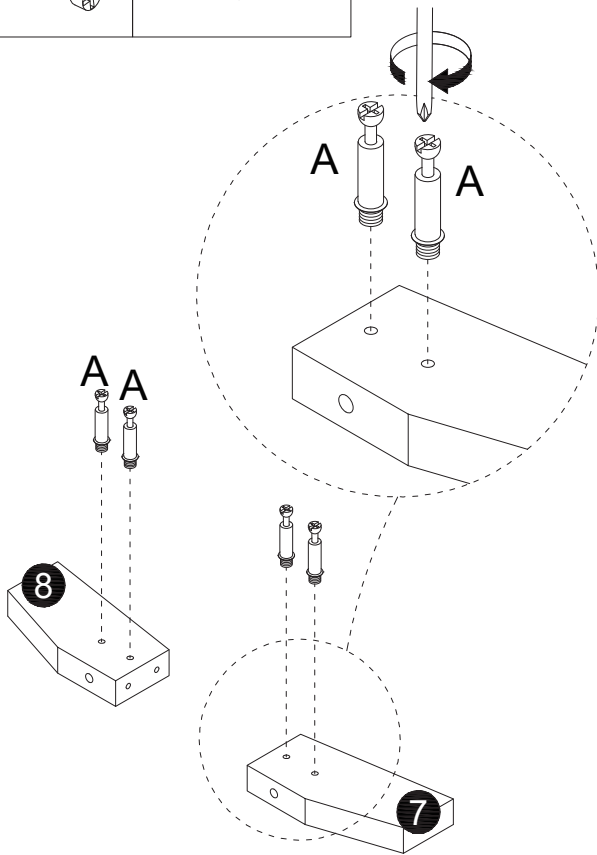
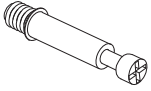
I x4



x4

A x8

B x8

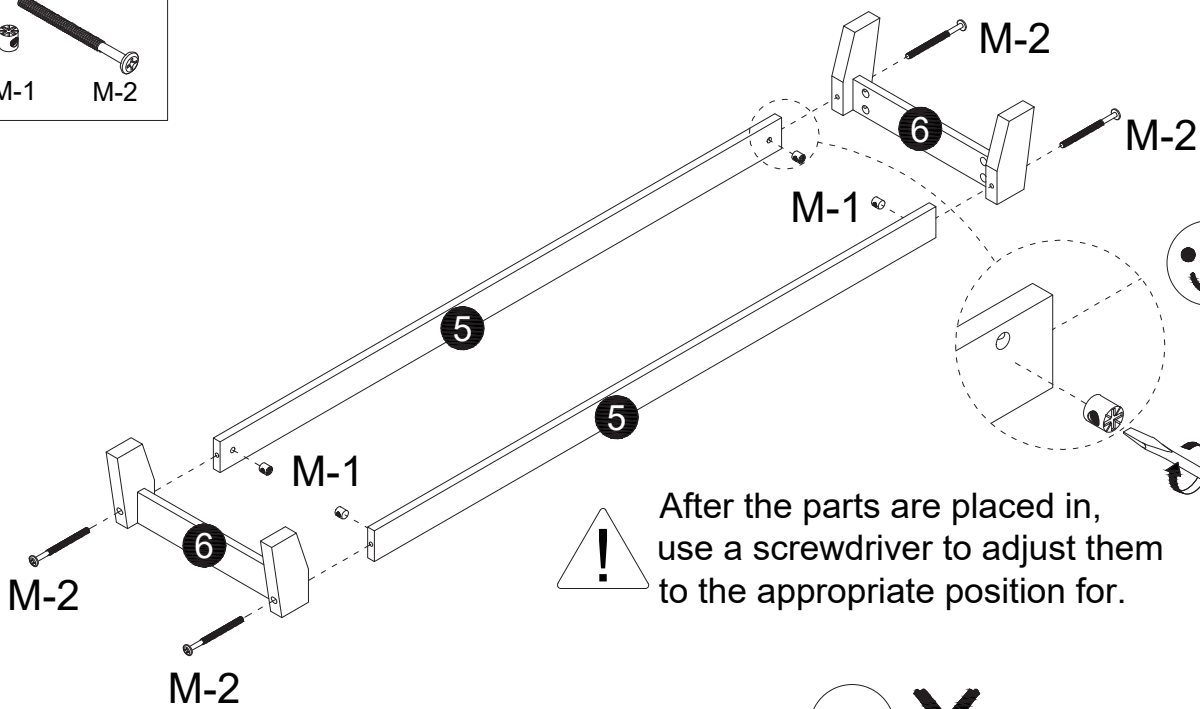


x2

M x4

M-1

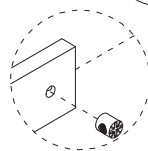
M-2



After the parts are placed in, use a screwdriver to adjust them to the appropriate position for.



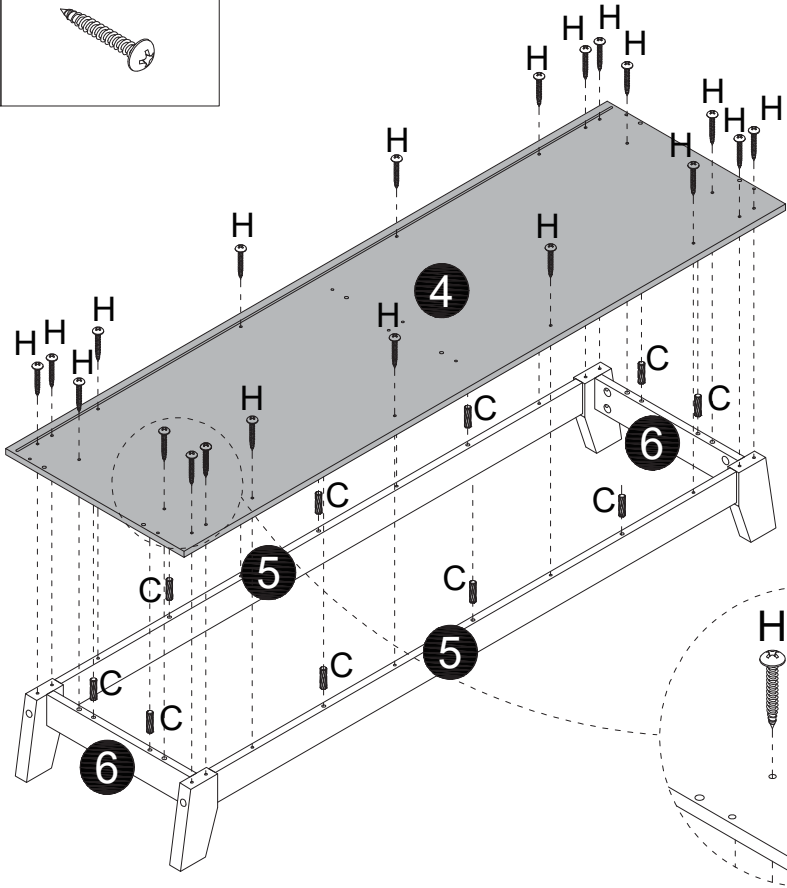
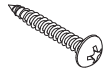
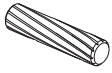
When installing this step, you don't need to lock it too tightly.



Please pay attention to the direction of the parts before installation.

C x10

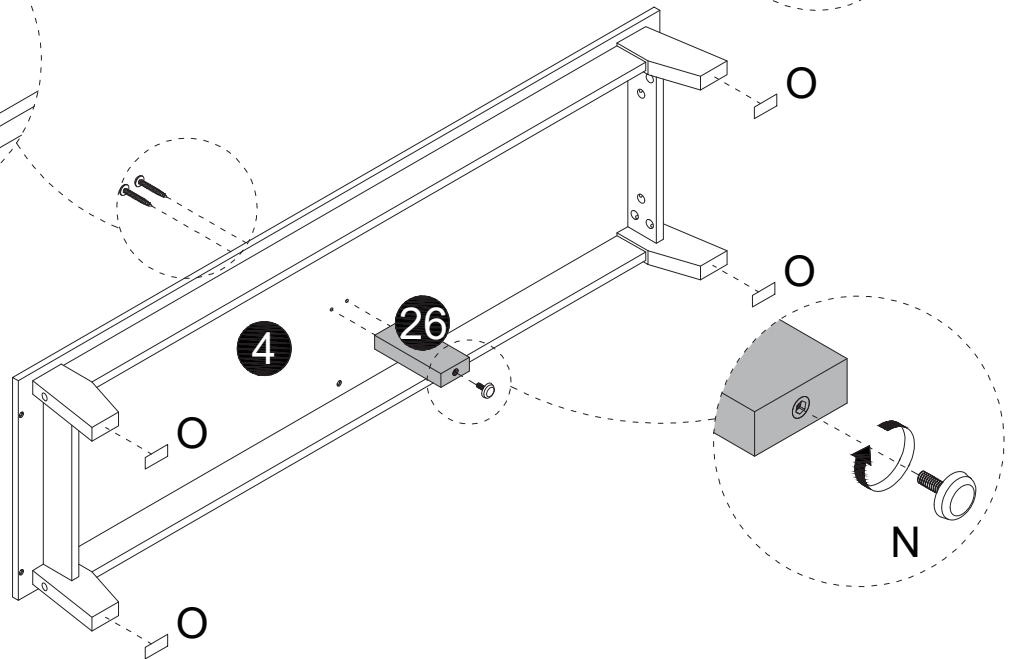
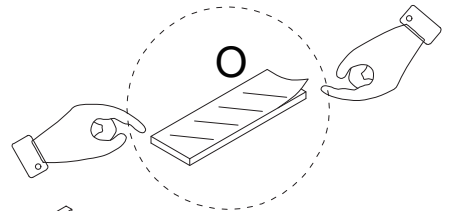
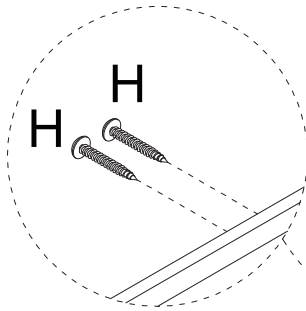
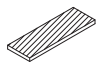
H x20



H x2

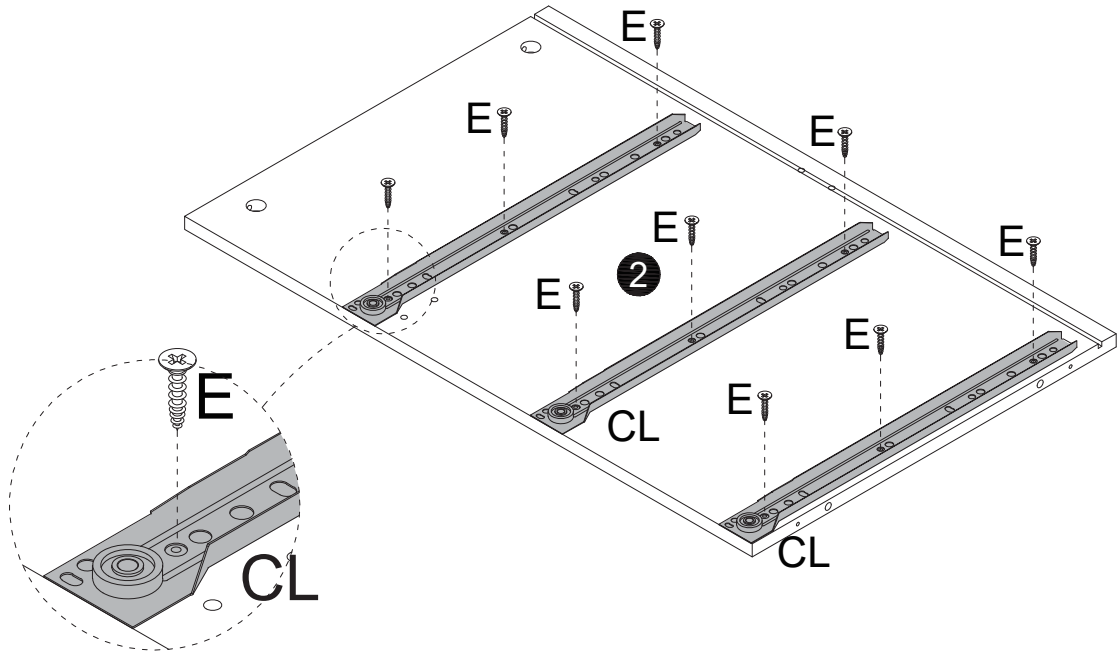
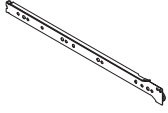
N x1

O x4



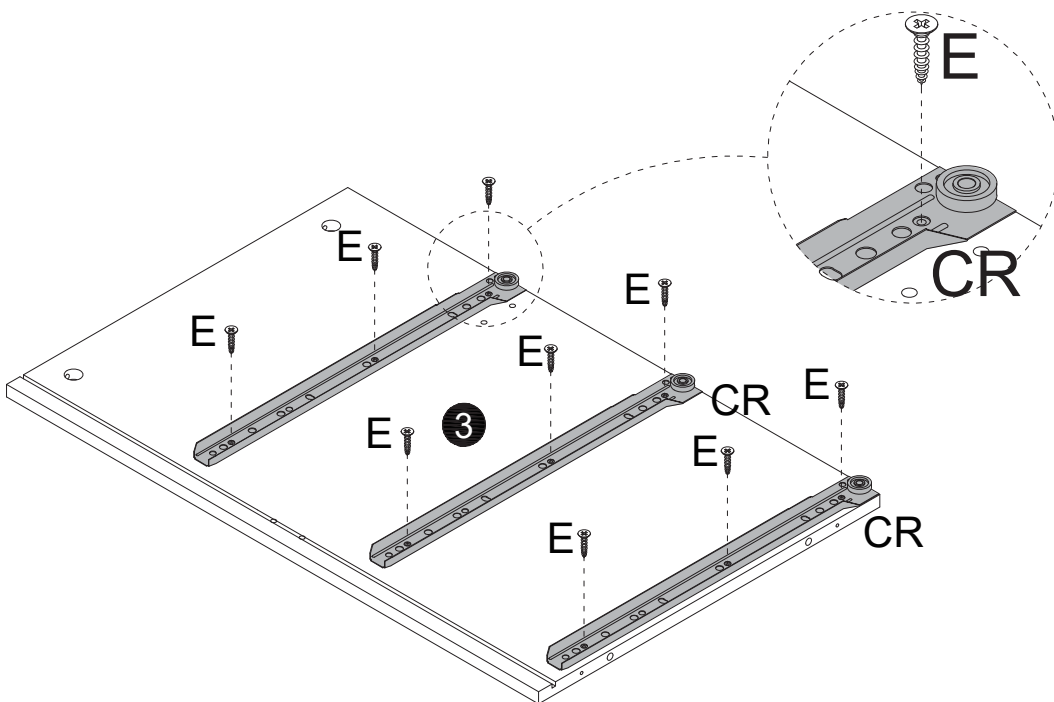
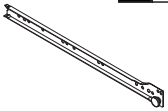
E x9

CL x3



E x9

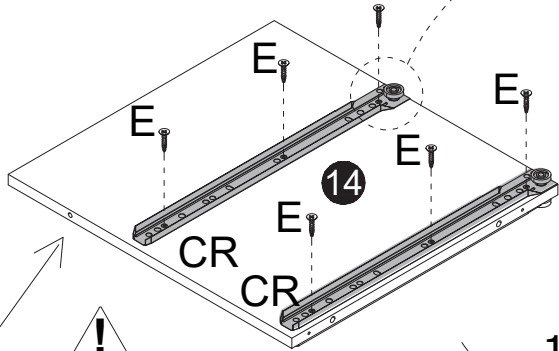
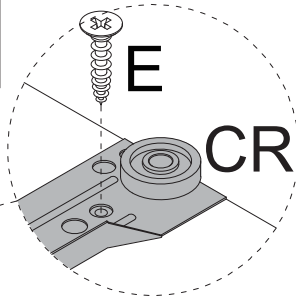
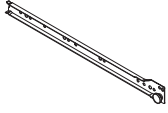
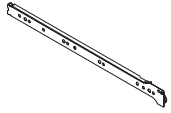
CR x3



E x12

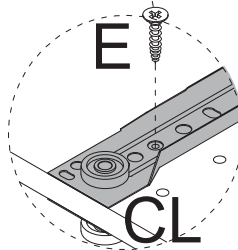
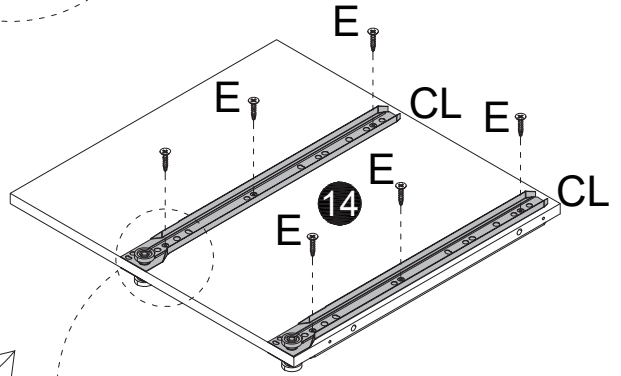
CL x2

CR x2



The side with the holes should face the back.

180°

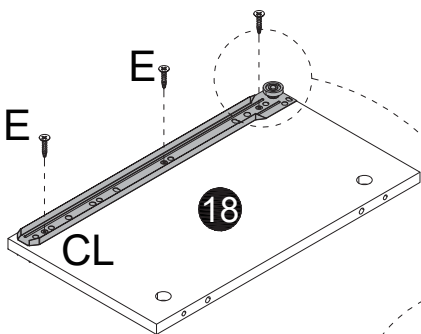
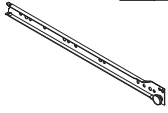
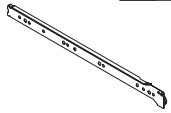


Second hole

E x12

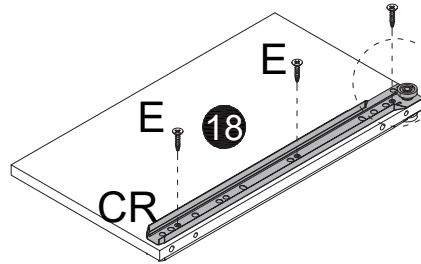
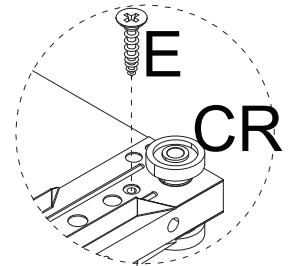
CL x2

CR x2



Second hole

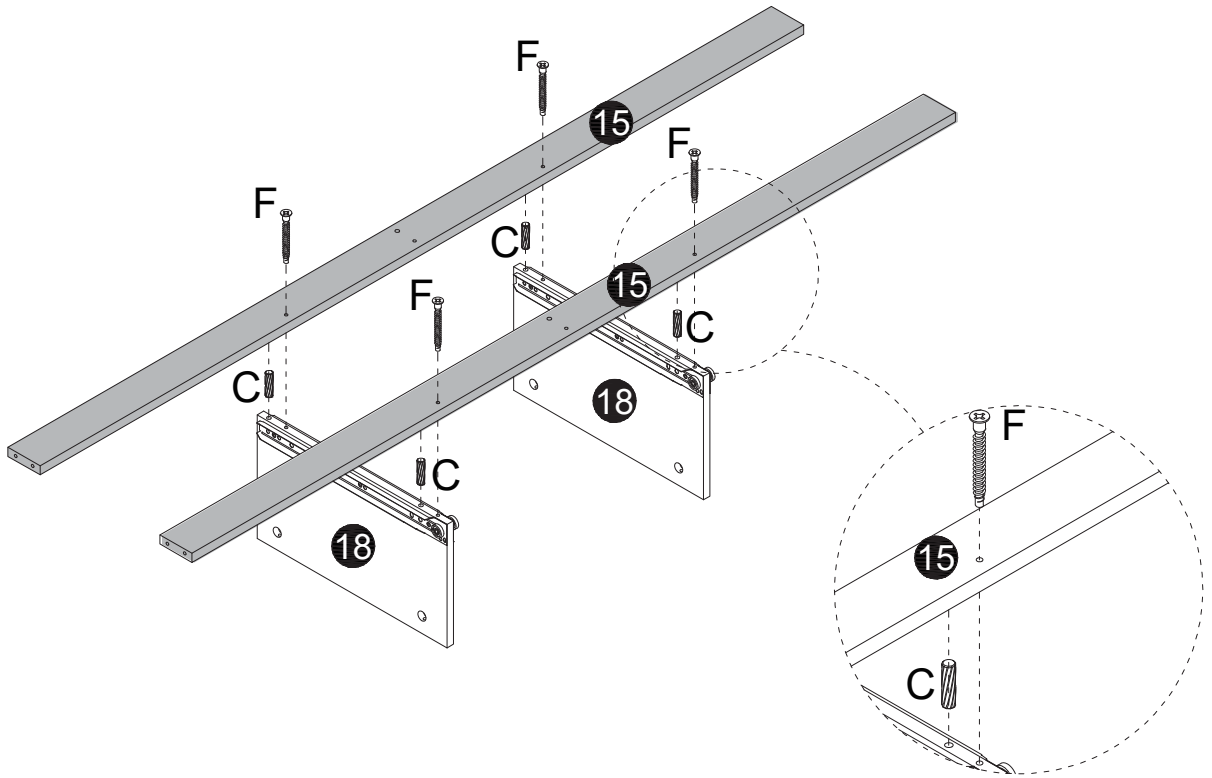
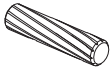
180°



x2

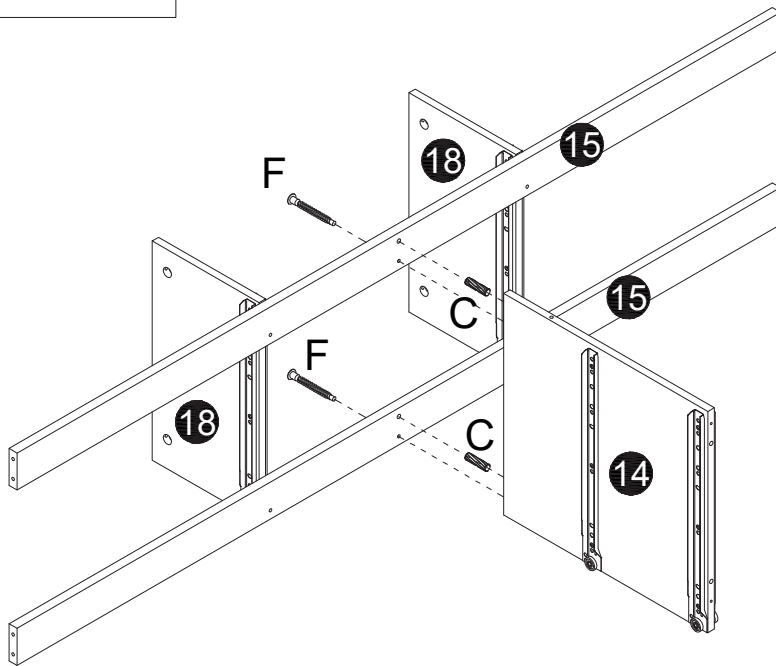
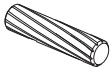
C x4

F x4

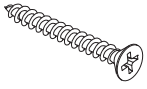


C x2

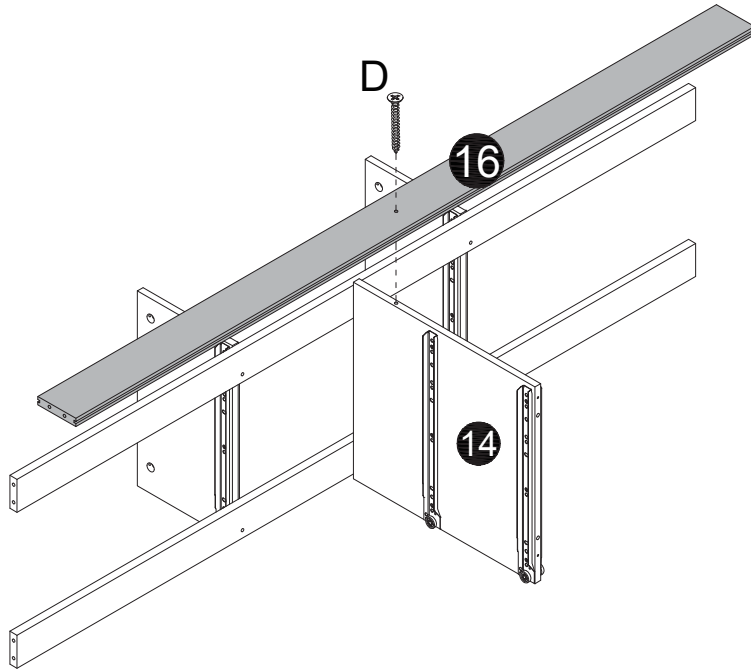
F x2



D x1



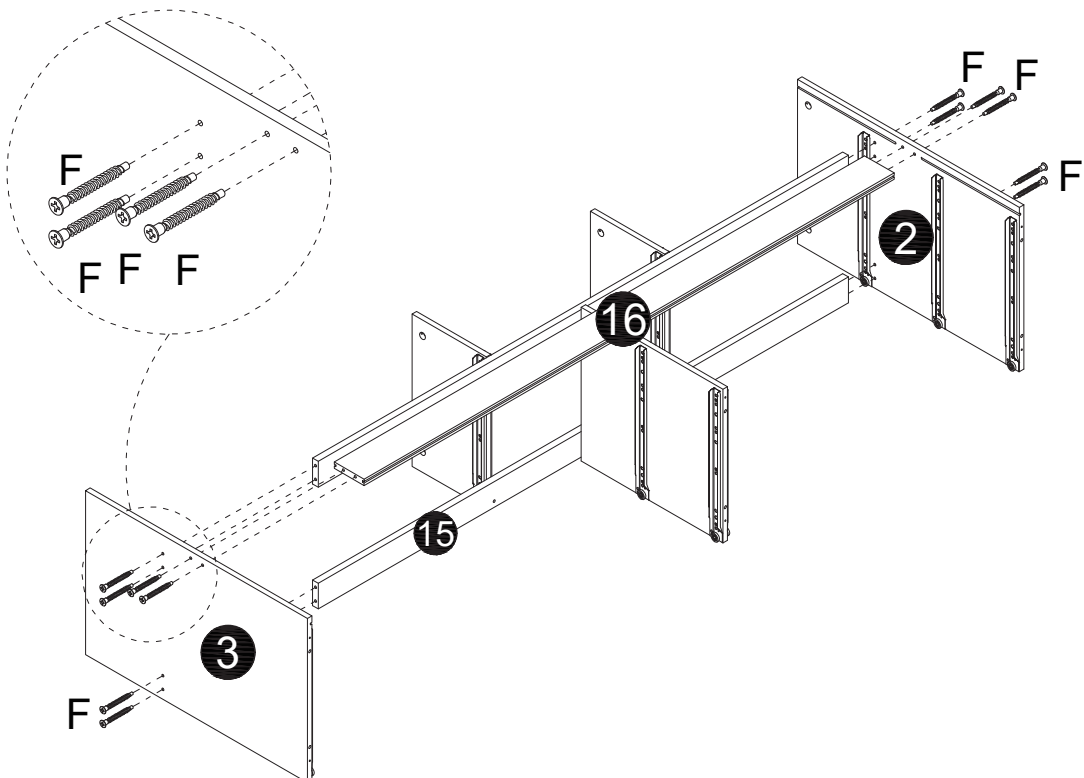
18

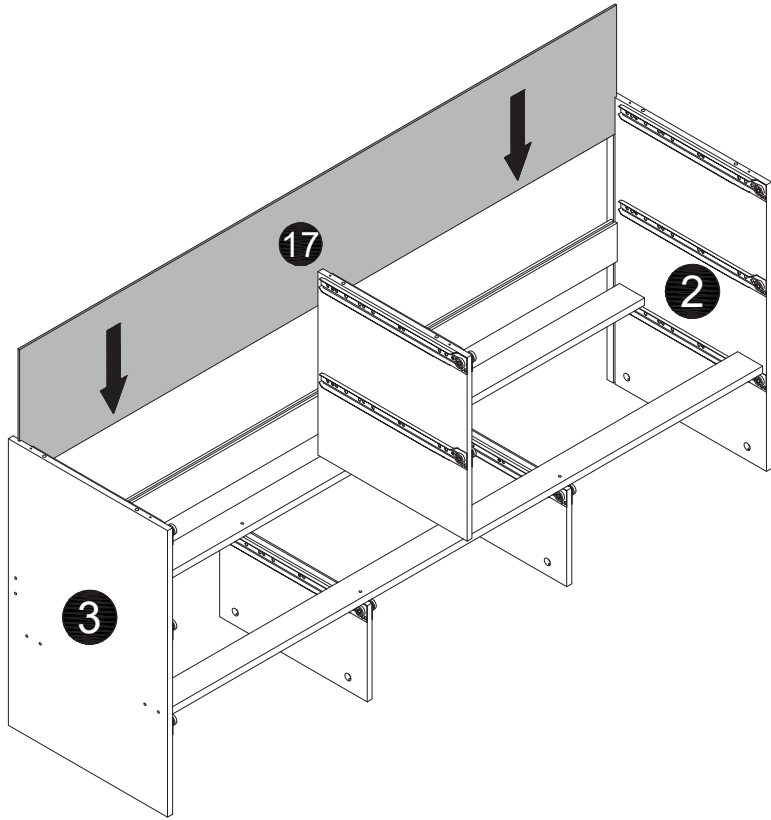


F x12



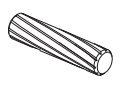
19



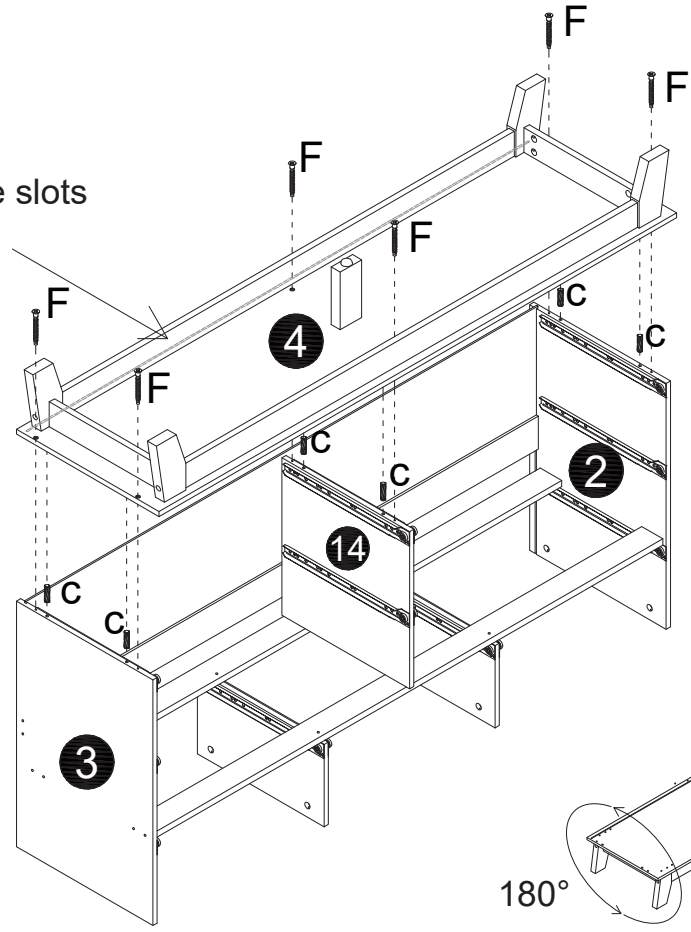
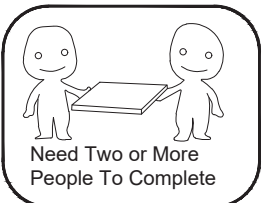


C x6

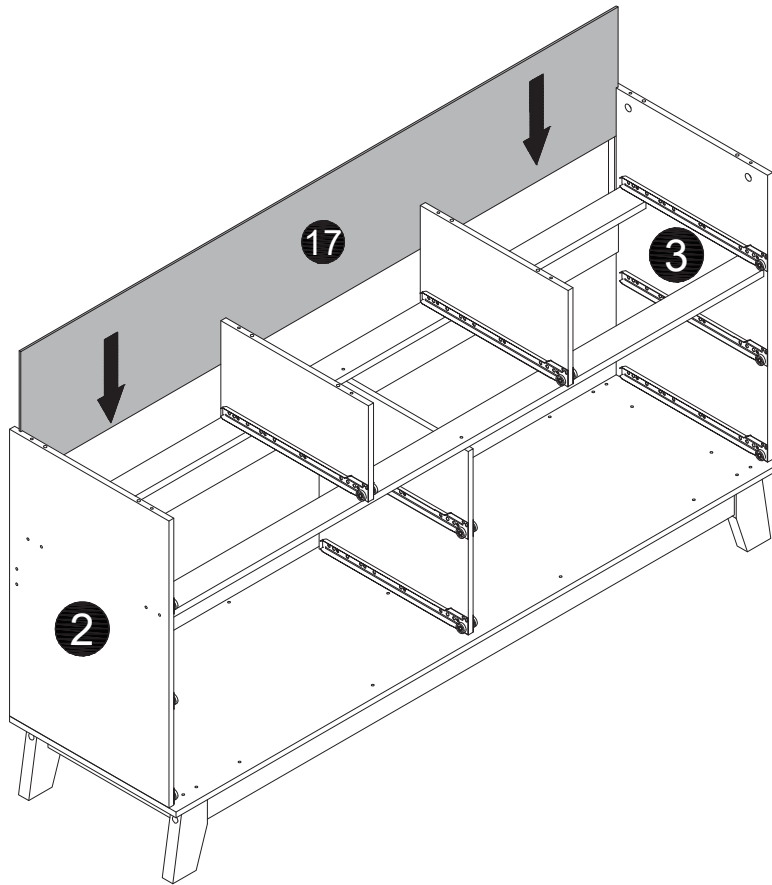
F x6



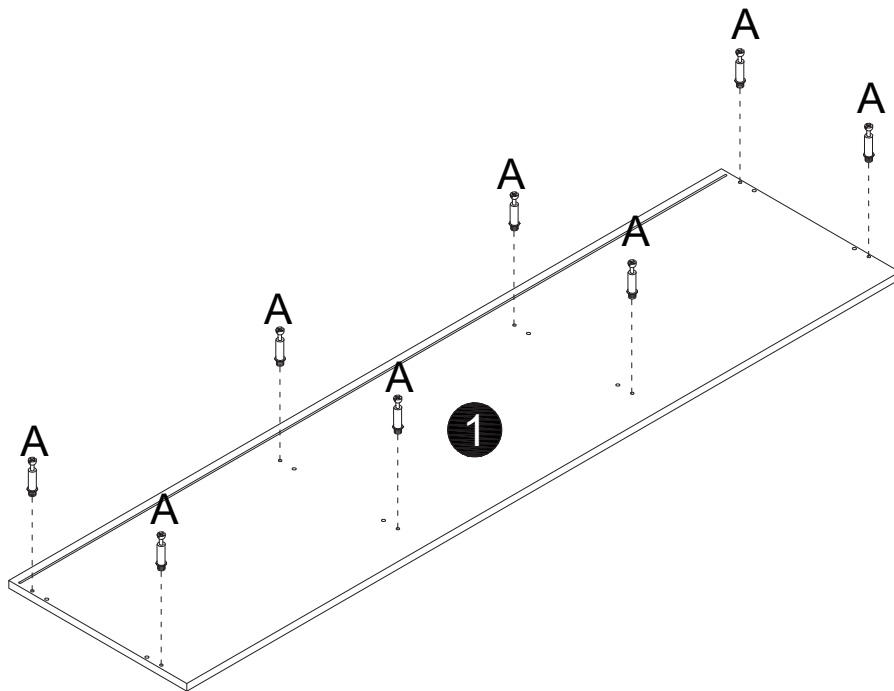
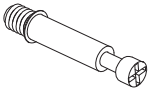
The backplate slots
are rearward



180°

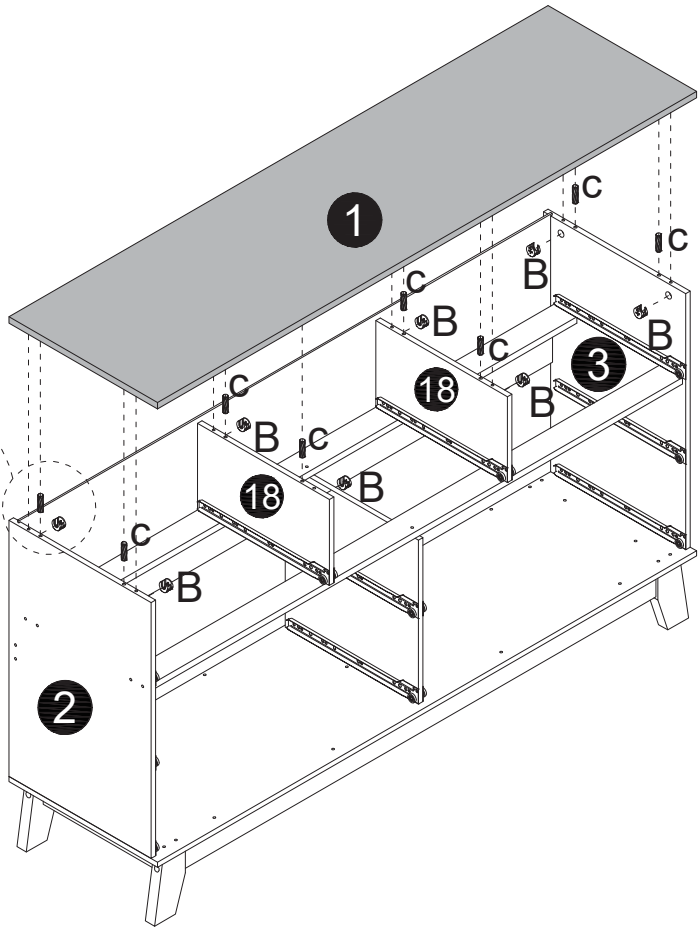
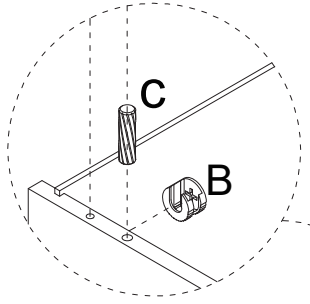
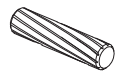


A x8



B x8

C x8



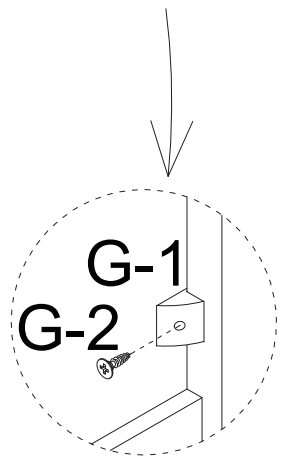
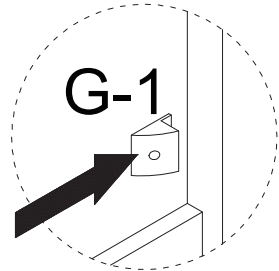
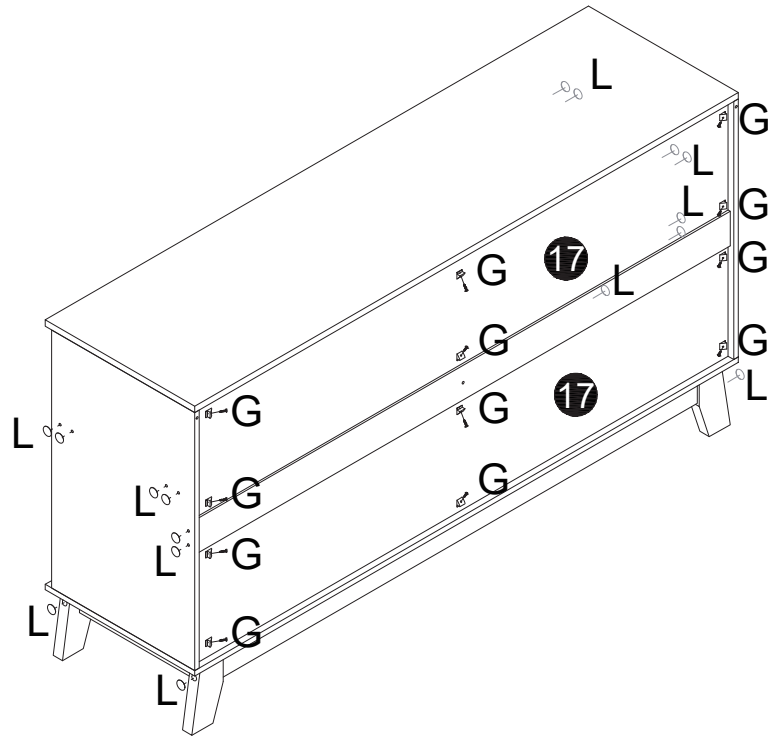
G x12

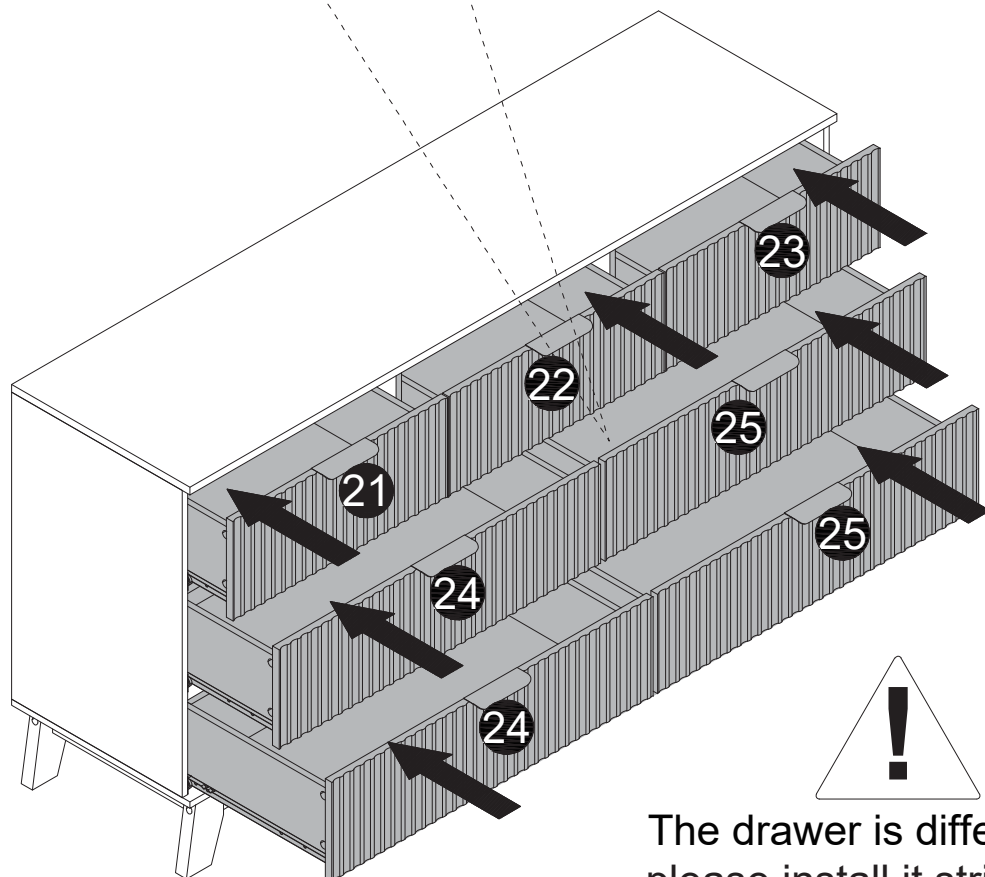
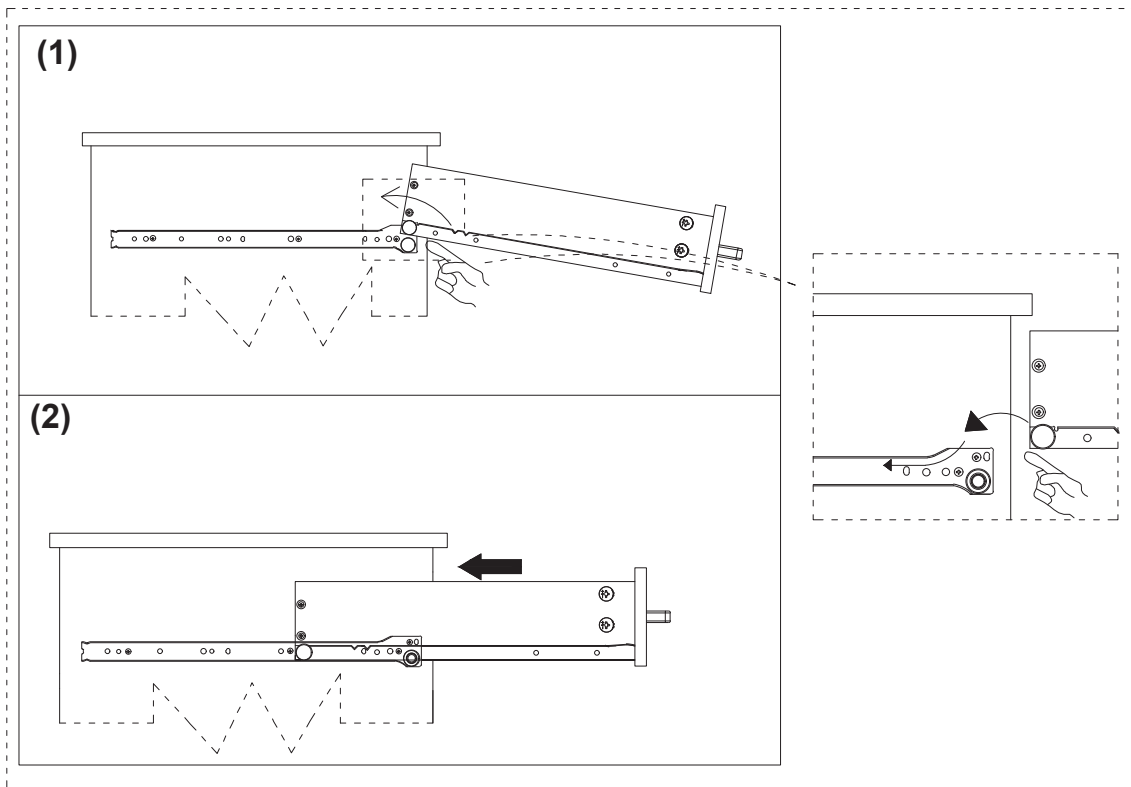
L x16
Ø15mm




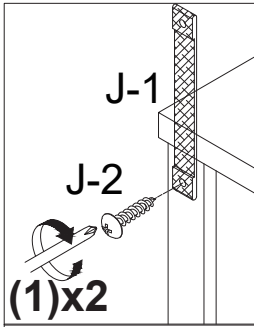
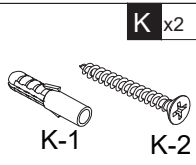
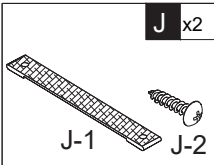
G-1

G-2

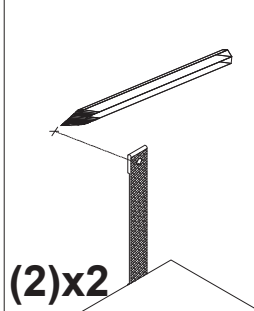




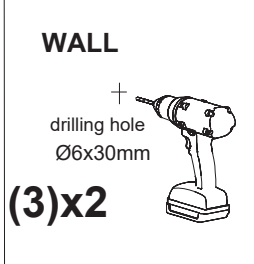

The drawer is different,
please install it strictly
according to the number
shown.



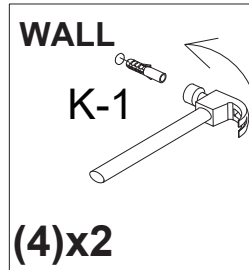
First fix the anti-rewind screw in the reserved hole of the product.



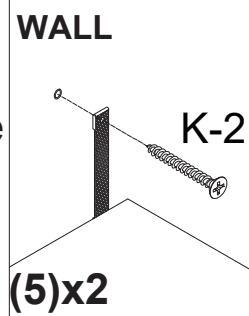
then, use a ruler to measure the approximate height of the product on the wall, and then mark it with a pen.



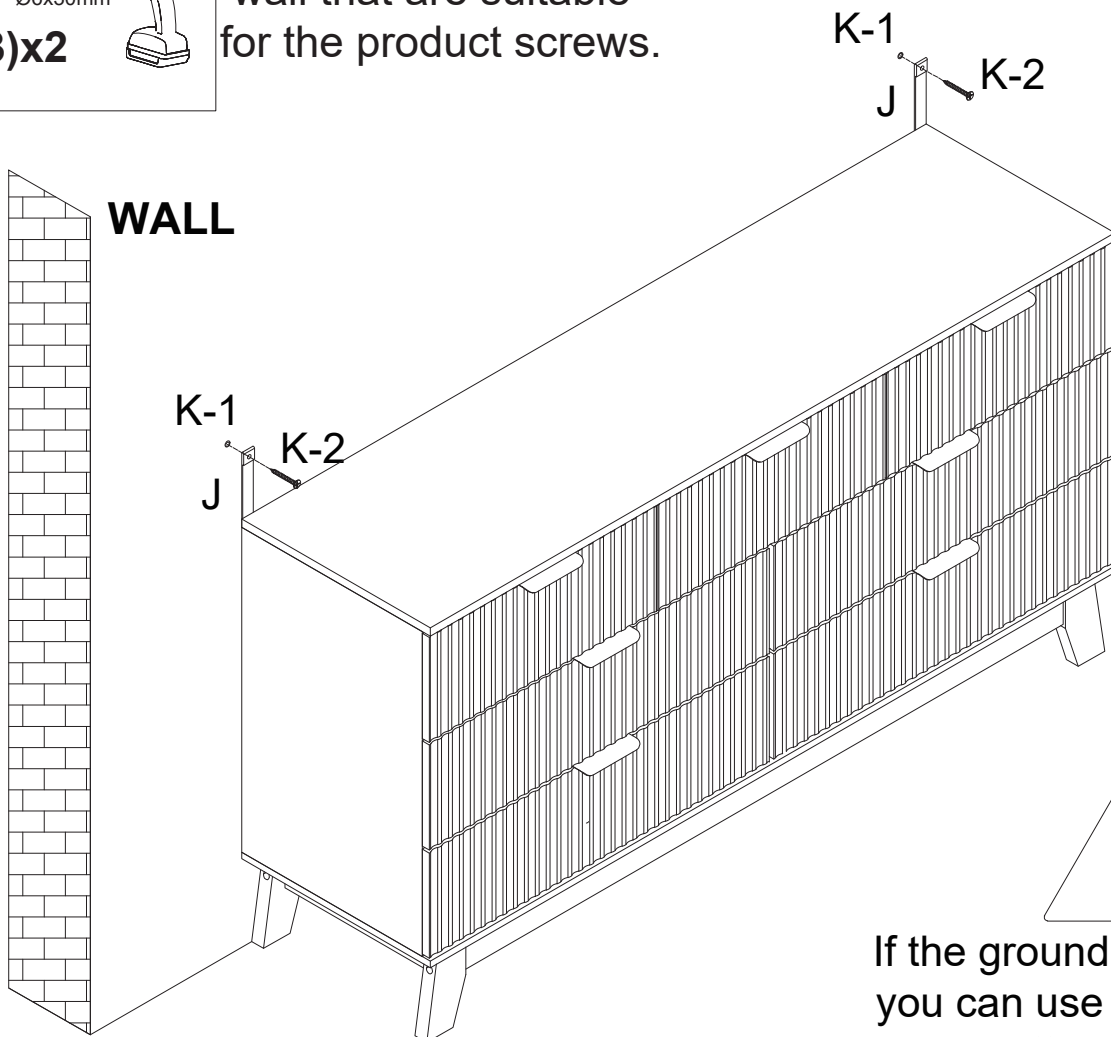
Then use a tape drill to make holes in the wall that are suitable for the product screws.



Then, put the expansion bolt into the hole



Finally, pass the matching screws through the "anti-rewind" and tighten them to fix them on the wall.



If the ground is uneven, you can use foot padw to level it off.