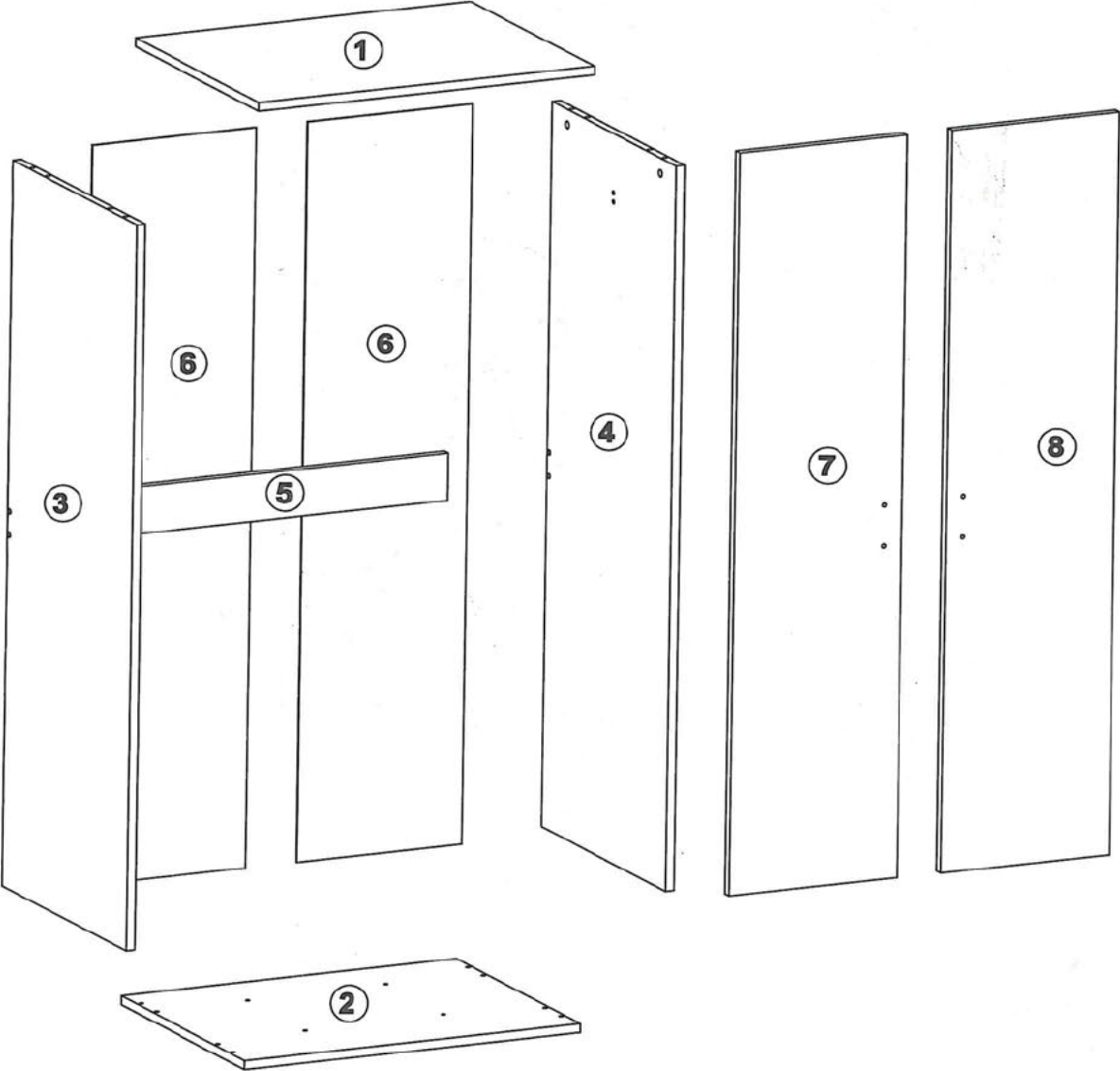
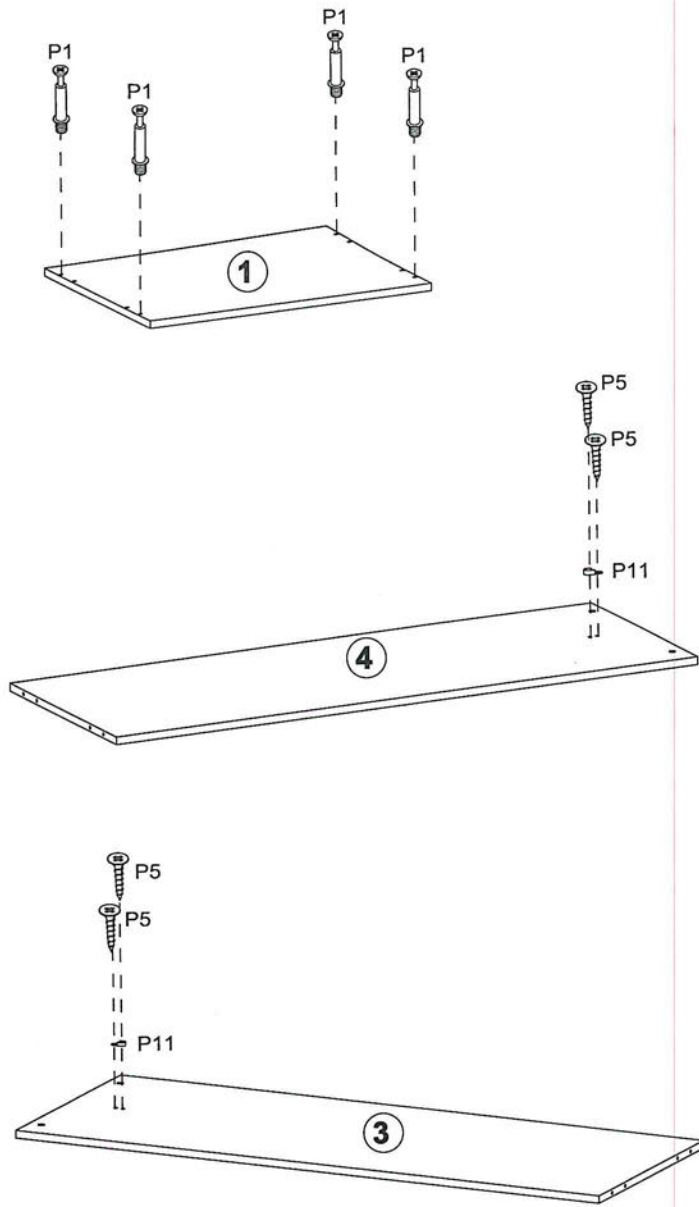


# ASSEMBLING INSTRUCTIONS

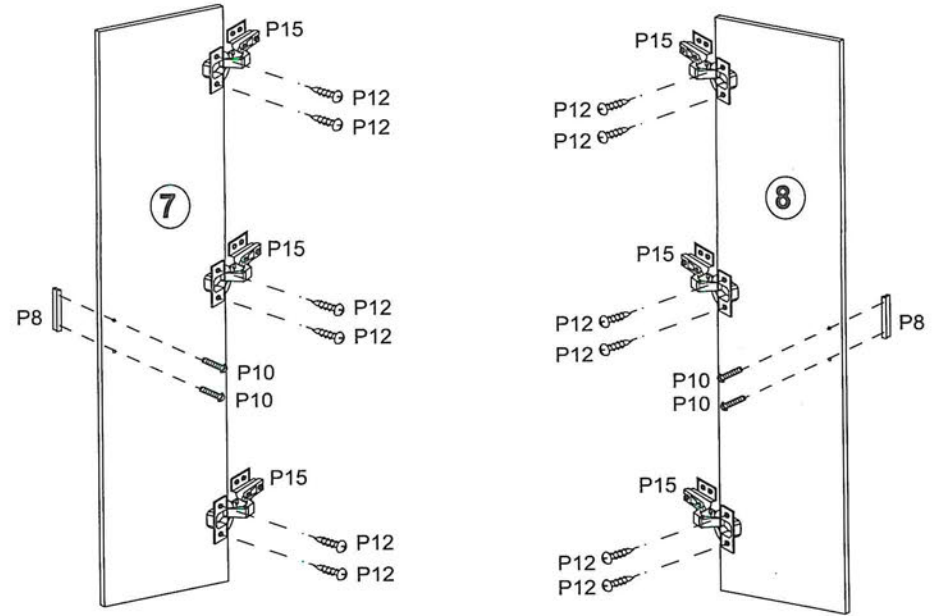


P1			4 PCS
P2			4 PCS
P3		M4X35mm	2 PCS
P4		M8x30mm	8 PCS
P5		M3.5x12mm	6 PCS
P6		M4X30mm	4 PCS
P7		M5x40mm	8 PCS
P8			2 PCS
P9			1 PC
P10		M4x18mm	4 PCS
P11			2 PCS
P12		M4x12mm	36 PCS
P13			4 PCS
P14			40 PCS
P15			6 PCS
P16			1 PC
P17			1 PC
P18			4 PCS
P19			4 PCS
P20			2 PCS
P21			2 PCS
P22		M4X25mm	4 PCS
P23			4 PCS

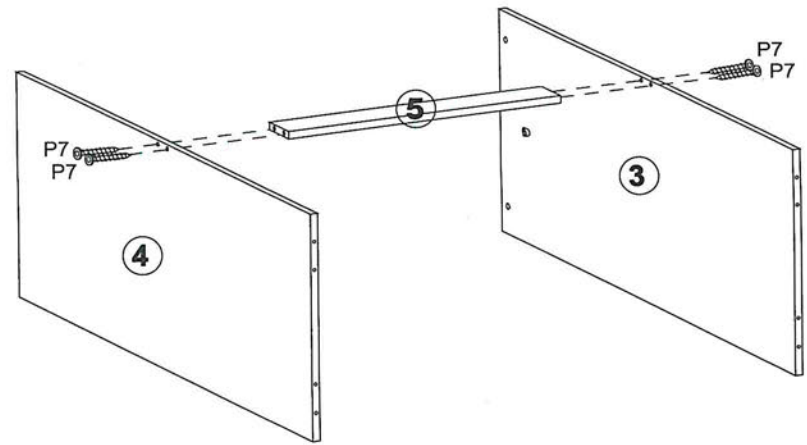
1



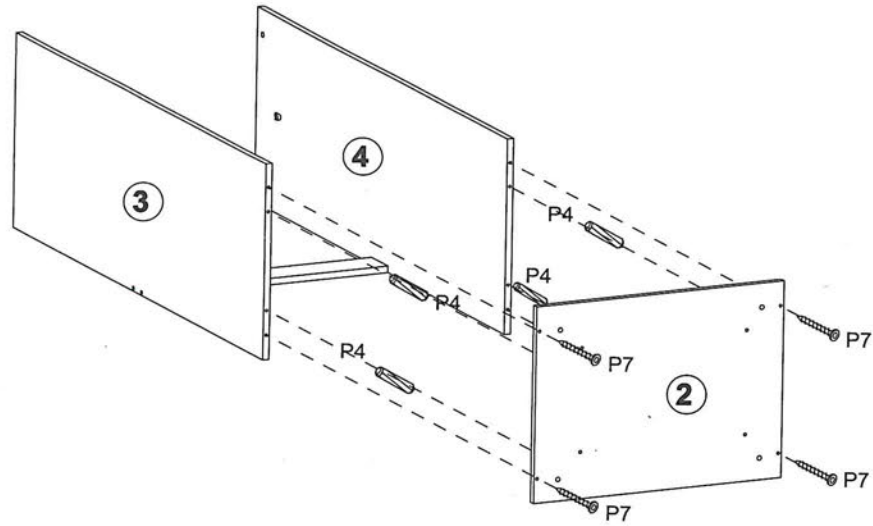
2



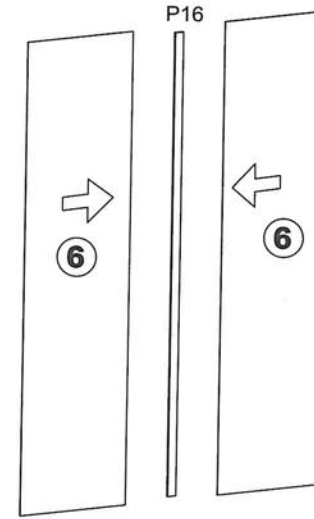
3



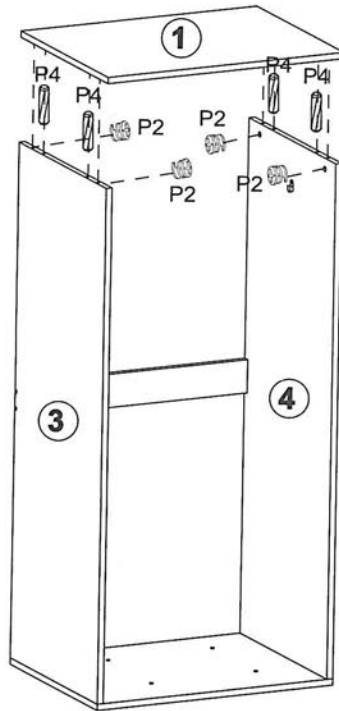
4



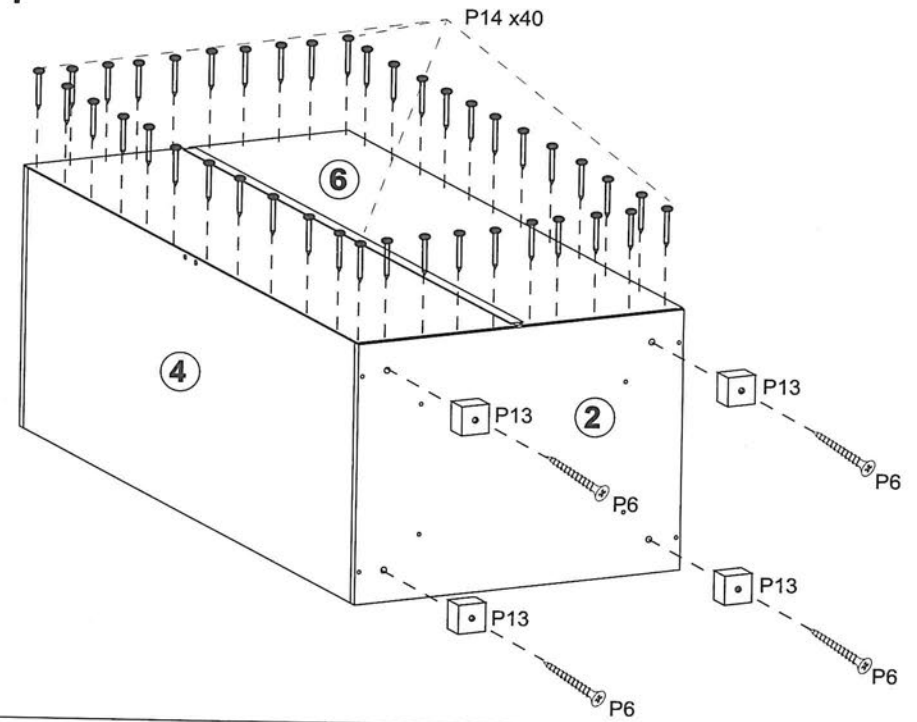
5



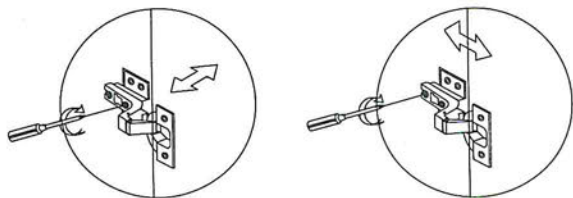
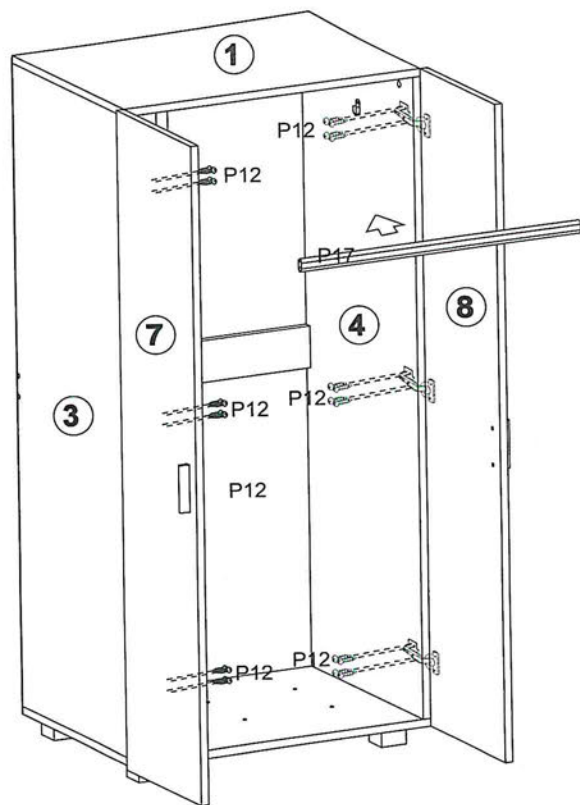
6



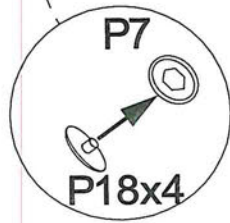
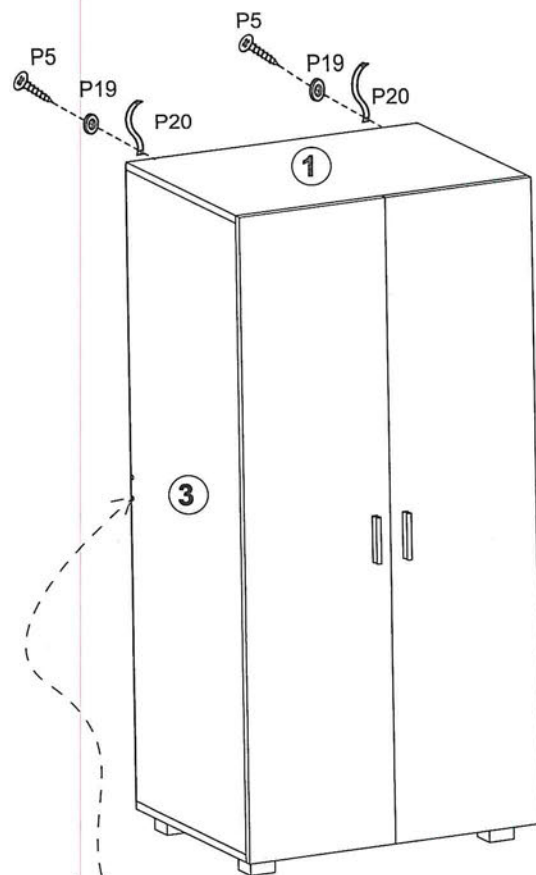
7



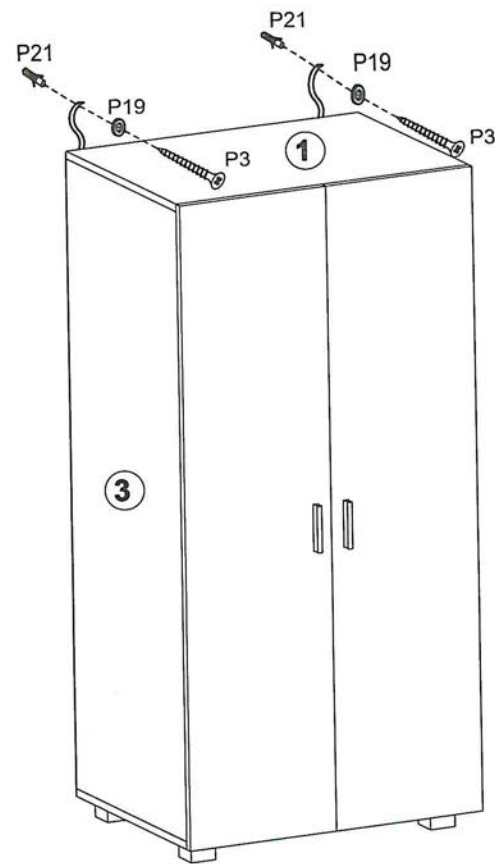
8



9



10



THE 2 DRAWER CHEST IS NEEDED TO BUY ADDITIONAL

