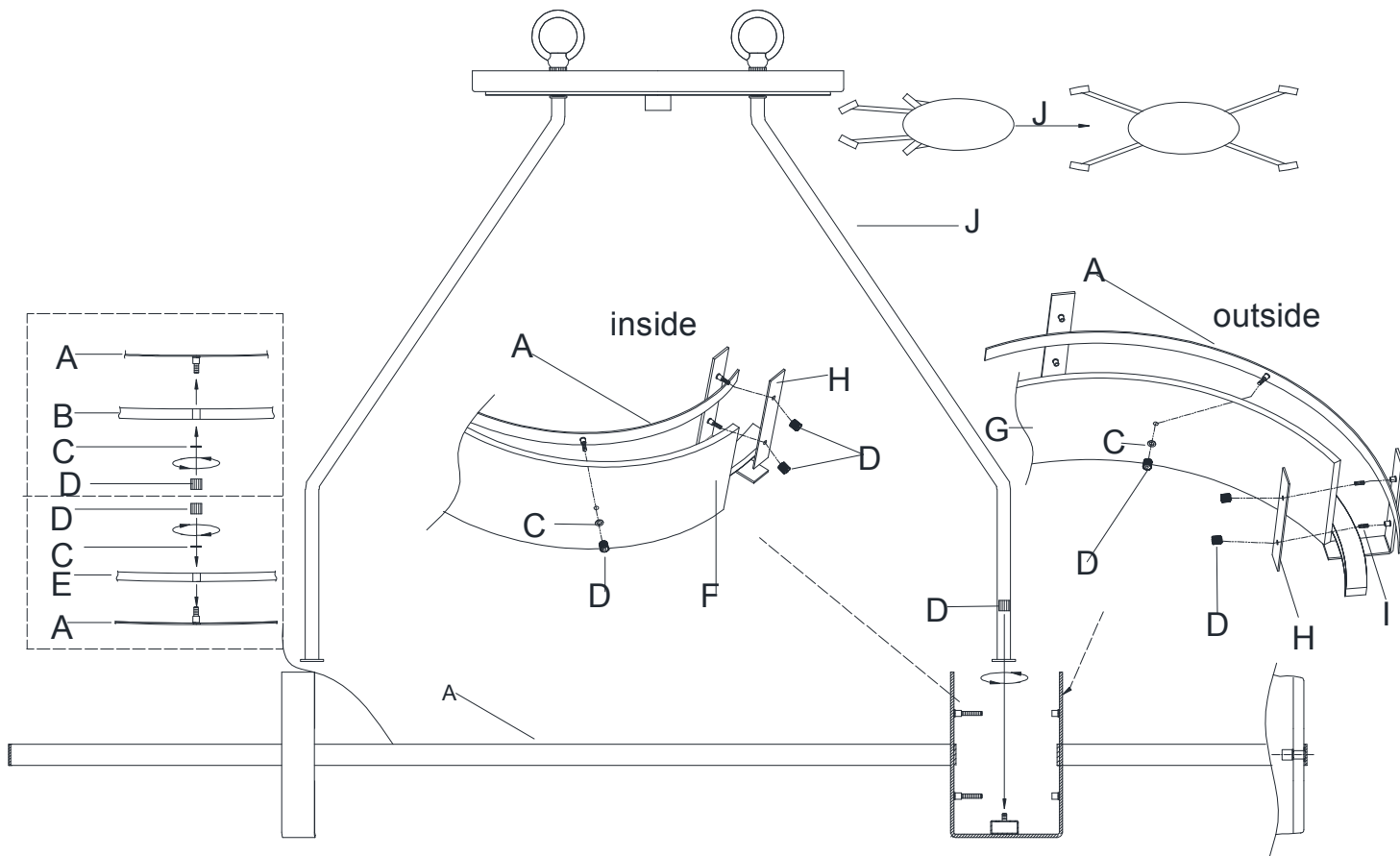


# ASSEMBLY INSTRUCTIONS



B → A → C → D → E → F → G → H → I → J

1. Carefully unpack and identify all parts referring to illustration for parts identification.
2. Turn the power to the installation point OFF.
3. Carefully place inside glass panel (B , F) and rubber washer (C) to the nipple of the metal ring of the fixture body (A), securing with finials (D); Then locate the inside flat steel (H) to the nipple of the fixture body (A), securing with finials (D).
4. Repeat the process for the outside glass panel (E, G), then install nipple (I) to the fixture body (A); Locate the outside flat steel (H) to the nipple (I), securing with finials (D).
5. Unfold the arms of the fixture frame (J) to locations.
6. Aligning the hole of the arms of the fixture frame (J) to the nipple of the fixture body (A), securing with finials (D).
7. Referring to the installation instruction with the product for the wiring and installation.
8. Install proper bulbs (not provided) to the sockets referring to the marking and/or labels on the fixture for maximum wattage.
9. Restore the power to the installation point ON.
10. Assembly is completely. Retain this sheet for future reference.