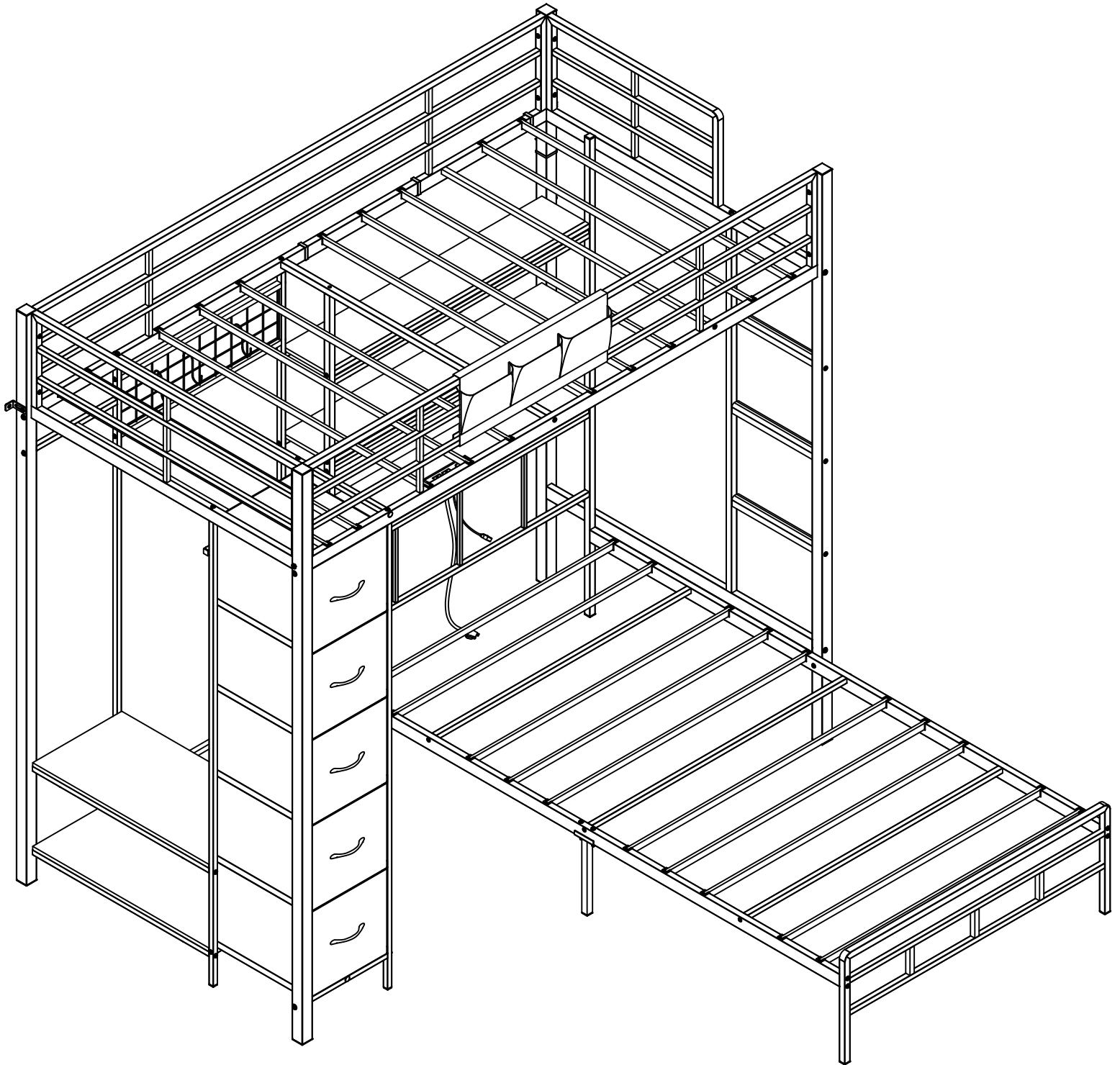
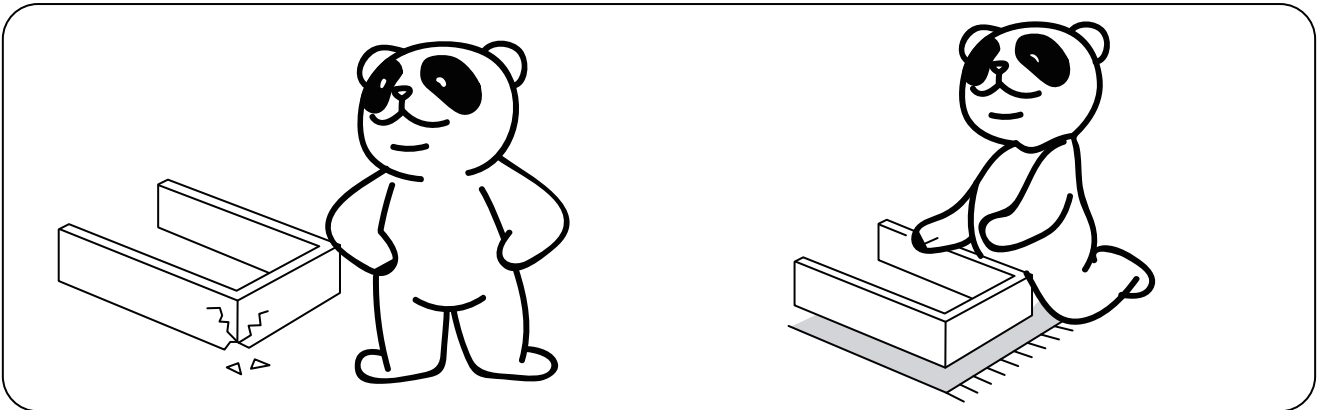
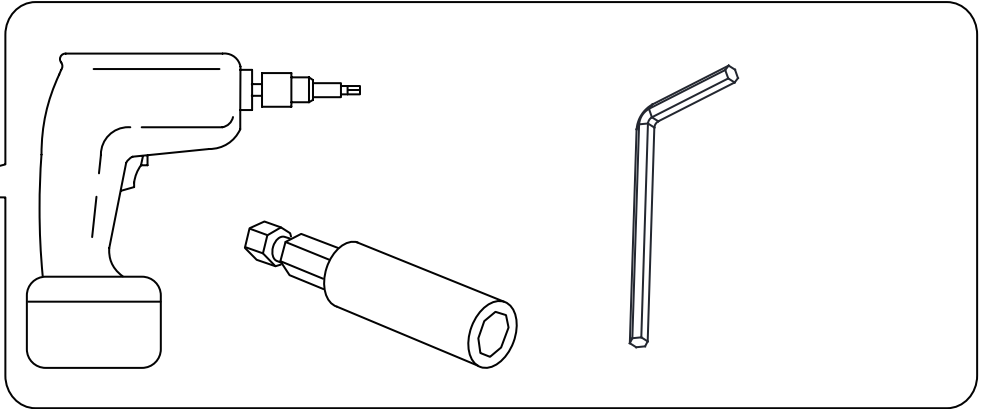


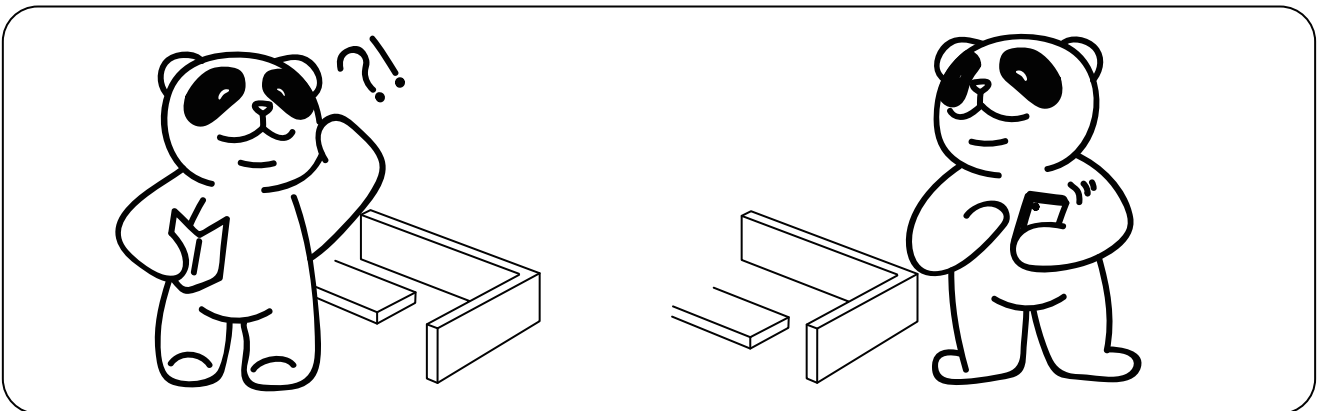
Loft Bed



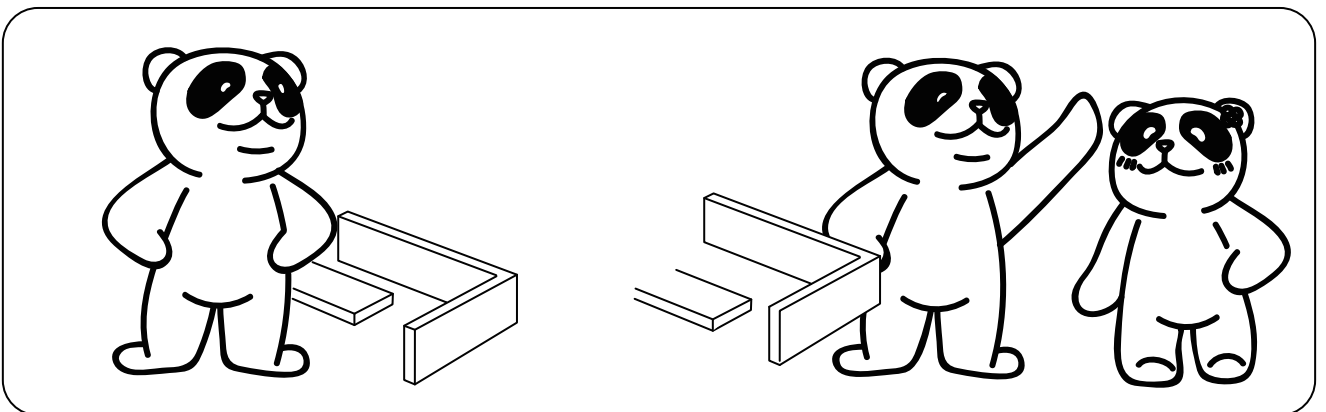
Version 1.0



Violent installation is prohibited



Please call if you need help

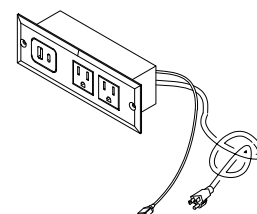
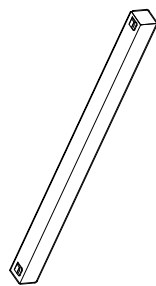
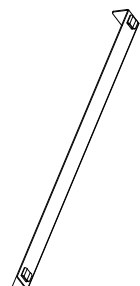
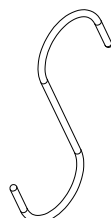
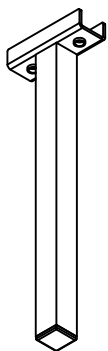
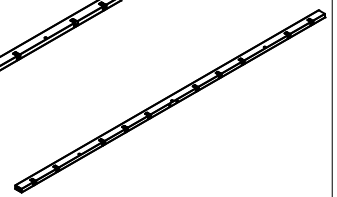
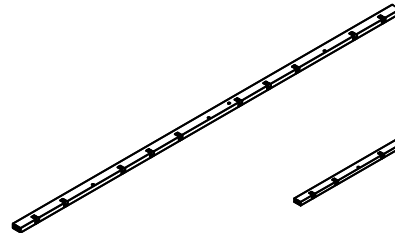
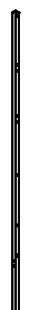
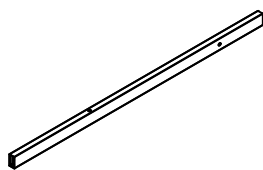
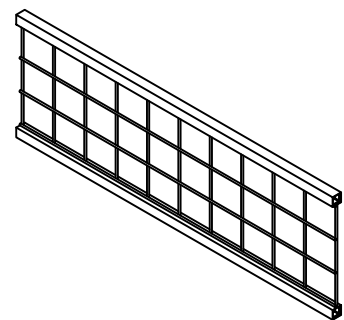
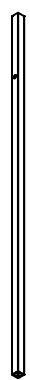
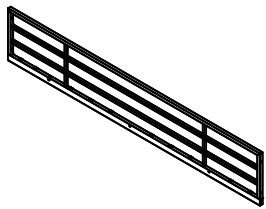
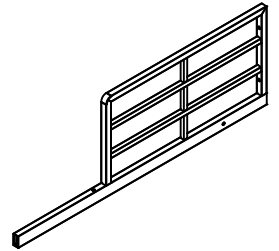
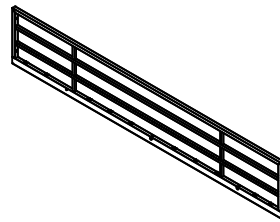
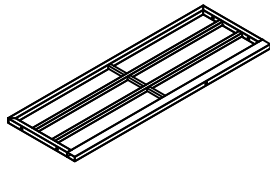
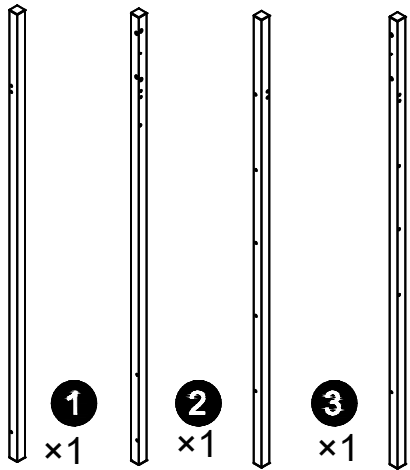


Multi-person cooperation is recommended

⚠ Pls make sure all the accessories are complete!

BOX : A

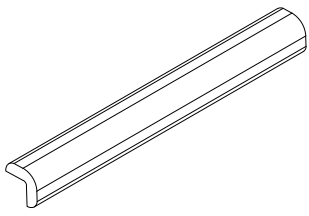
PACKING DETAILS: TOTAL 2 BOXES



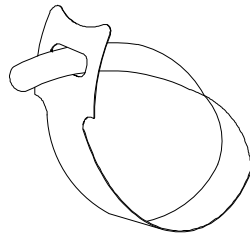
⚠ Pls make sure all the accessories are complete!

BOX : A

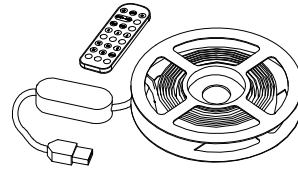
PACKING DETAILS: TOTAL 2 BOXES



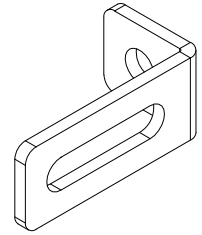
51
x3



52
x6

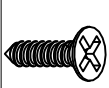


53
x1



54
x2

HARDWARE LIST



A

M4*12
x2+1



B

M4*12
x10+1



C

M5*30
x3+1



D

M6*25
x34+3



E

M6
x2



F

M6*35
x50+3



G

M6*40
x27+2



H

M6*55
x26+2



I

M6 washer
x18+1



J

4#
x1



K

4#
x1



L

M6
x1



M

3#
x1



N

Ø14
x4



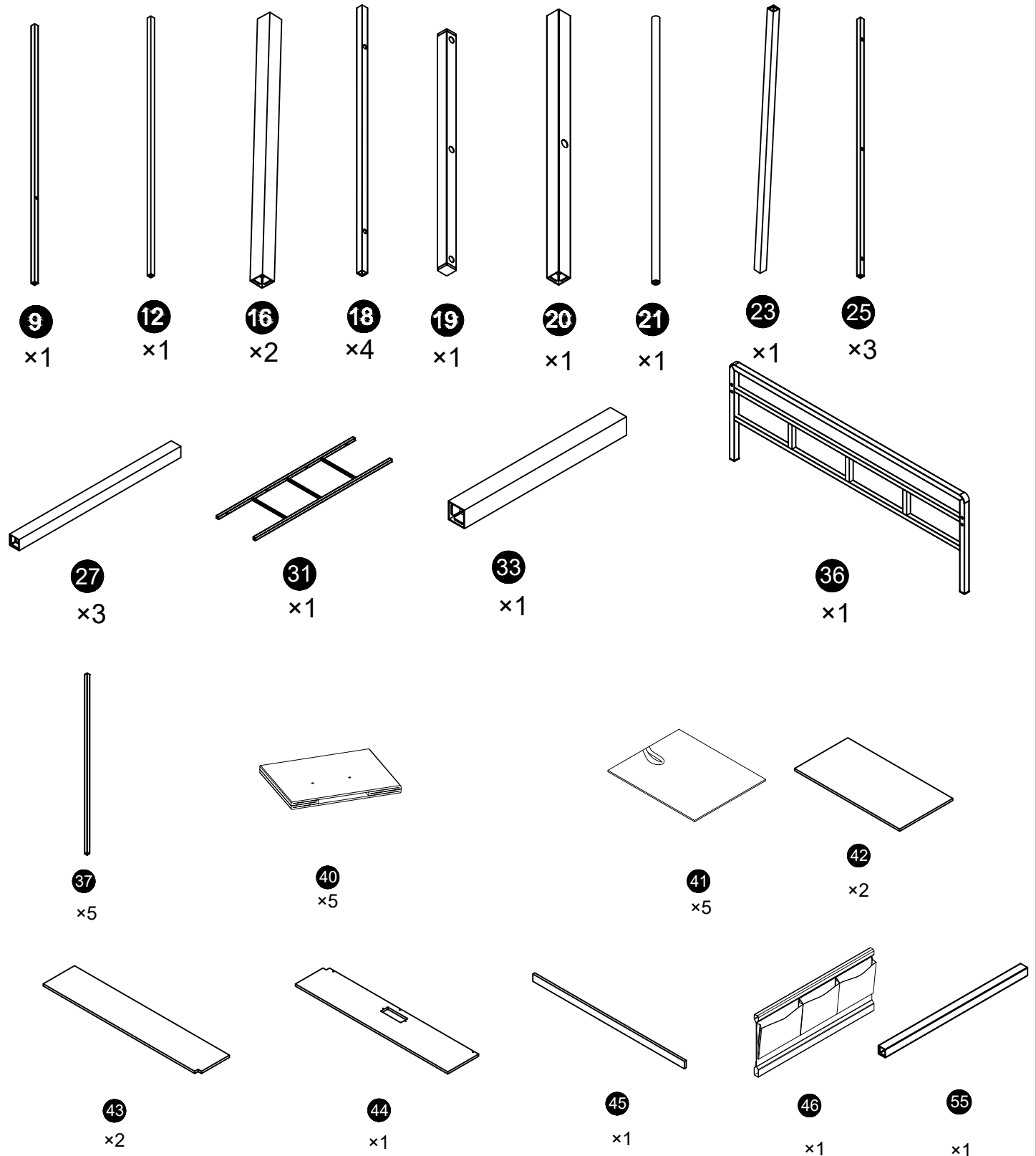
O

x5

⚠ Pls make sure all the accessories are complete!

BOX : B

PACKING DETAILS:TOTAL 2 BOXES



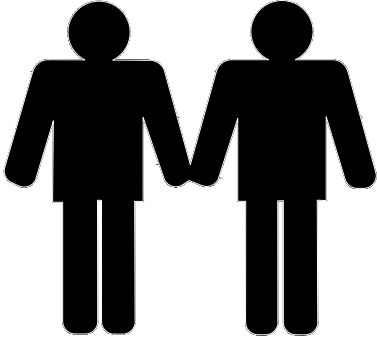
This set comes in 2 boxes. If you do not receive a full set of 2 boxes, please contact our customer service.

box A : 1-8,10,11,13-15,17,22,24,26,28-30,32,34,35,38,39
47-54,screw pack,instructions;

box B :9,12,16,18-21,23,25,27,31,33,36,37,40-46,55,instructions.

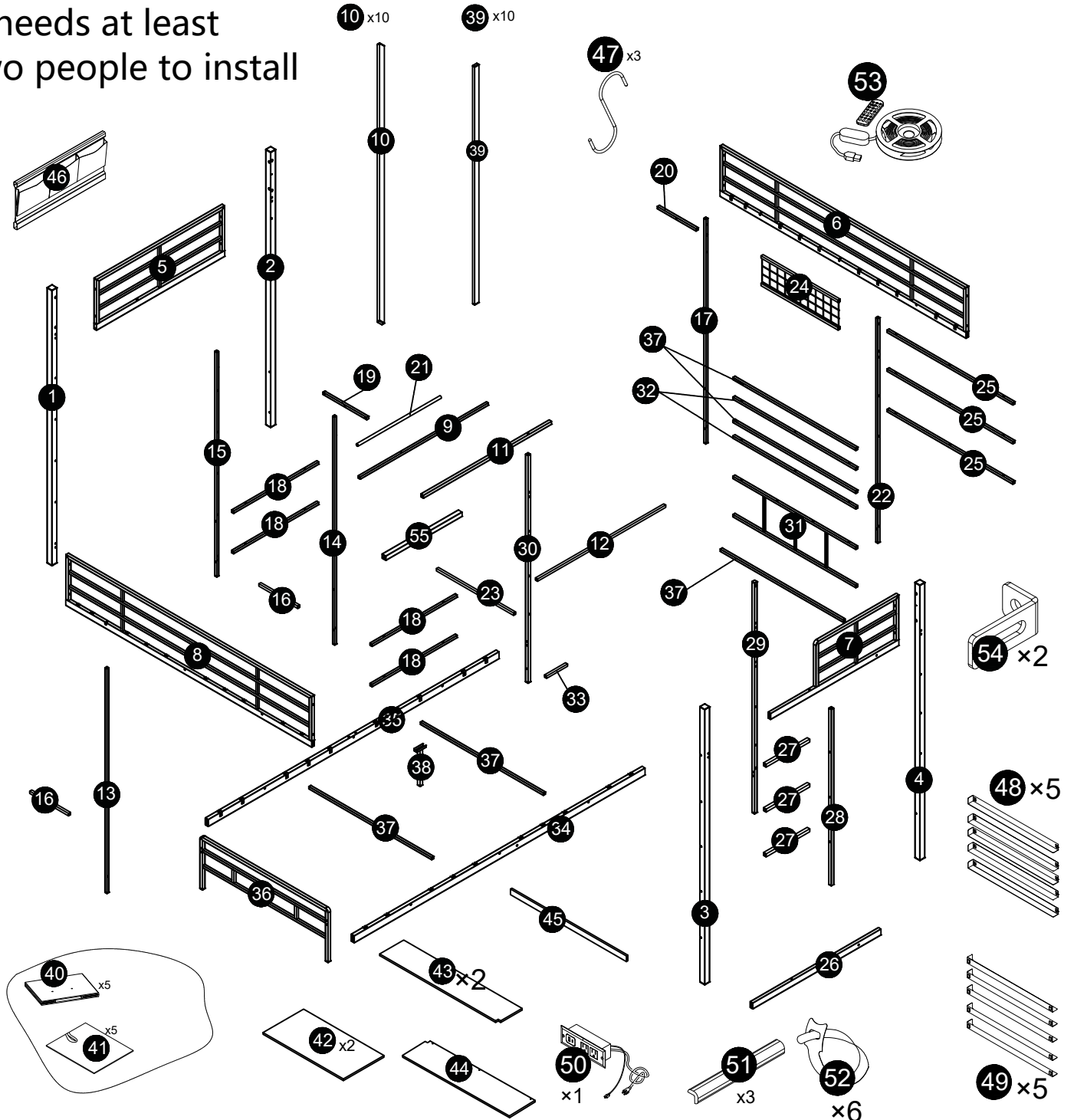
Note:

- 1, Should be assembled on flat ground to keep balance.
2. Before completing the installation, do not tighten the screws.



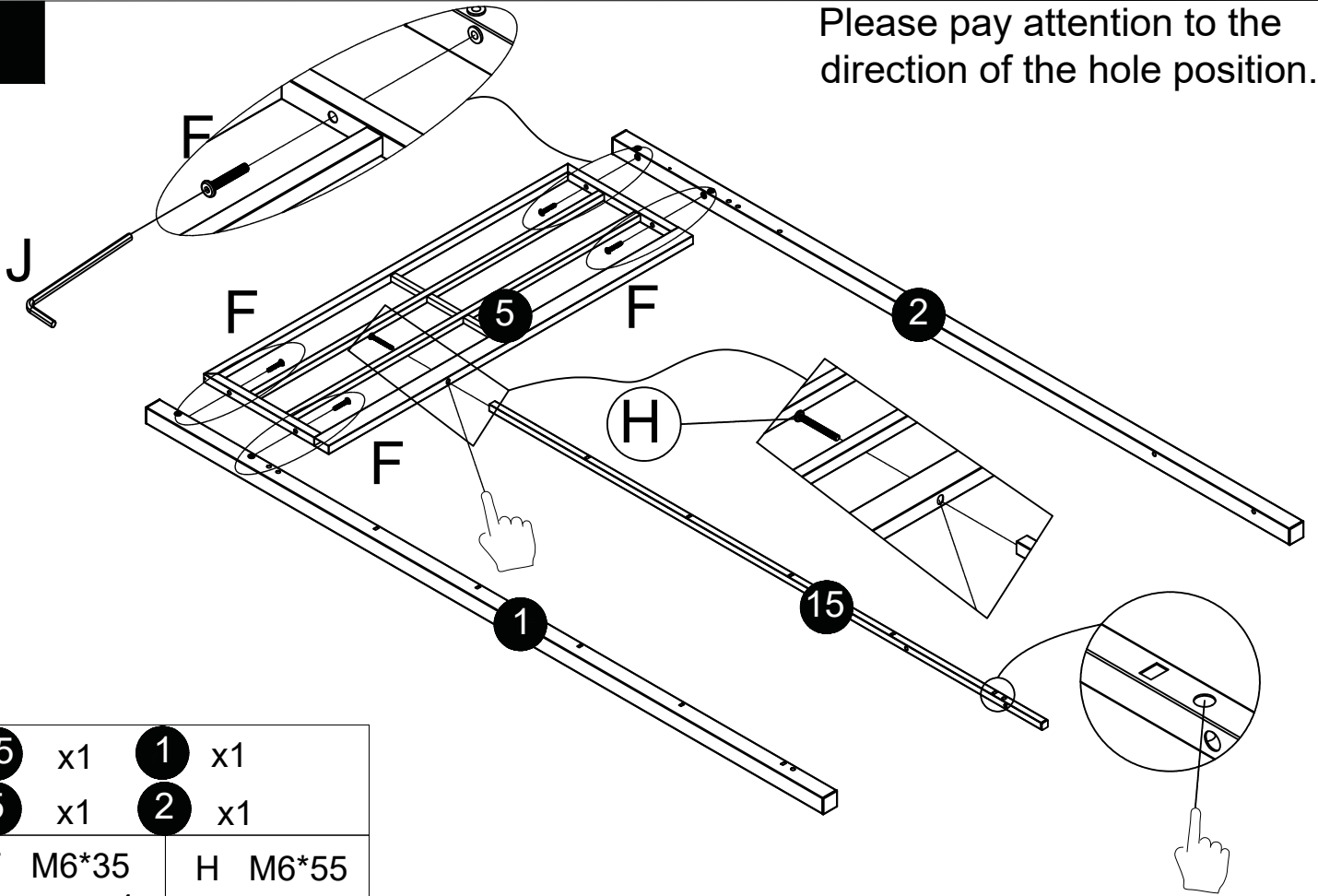
Before starting the assembly ,
you must read the whole manual
and follow the instructions .

It needs at least
two people to install



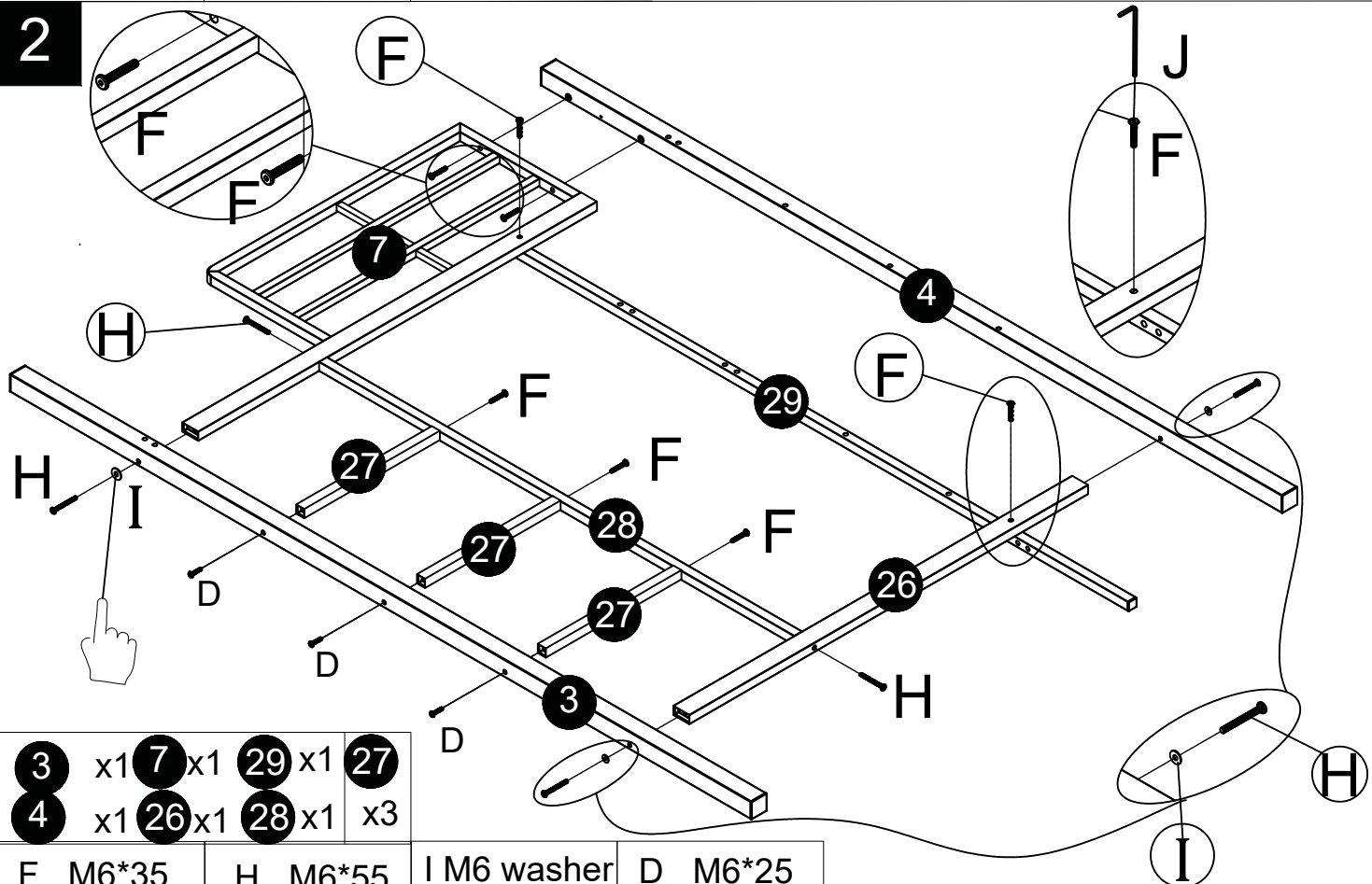
1

Please pay attention to the direction of the hole position.



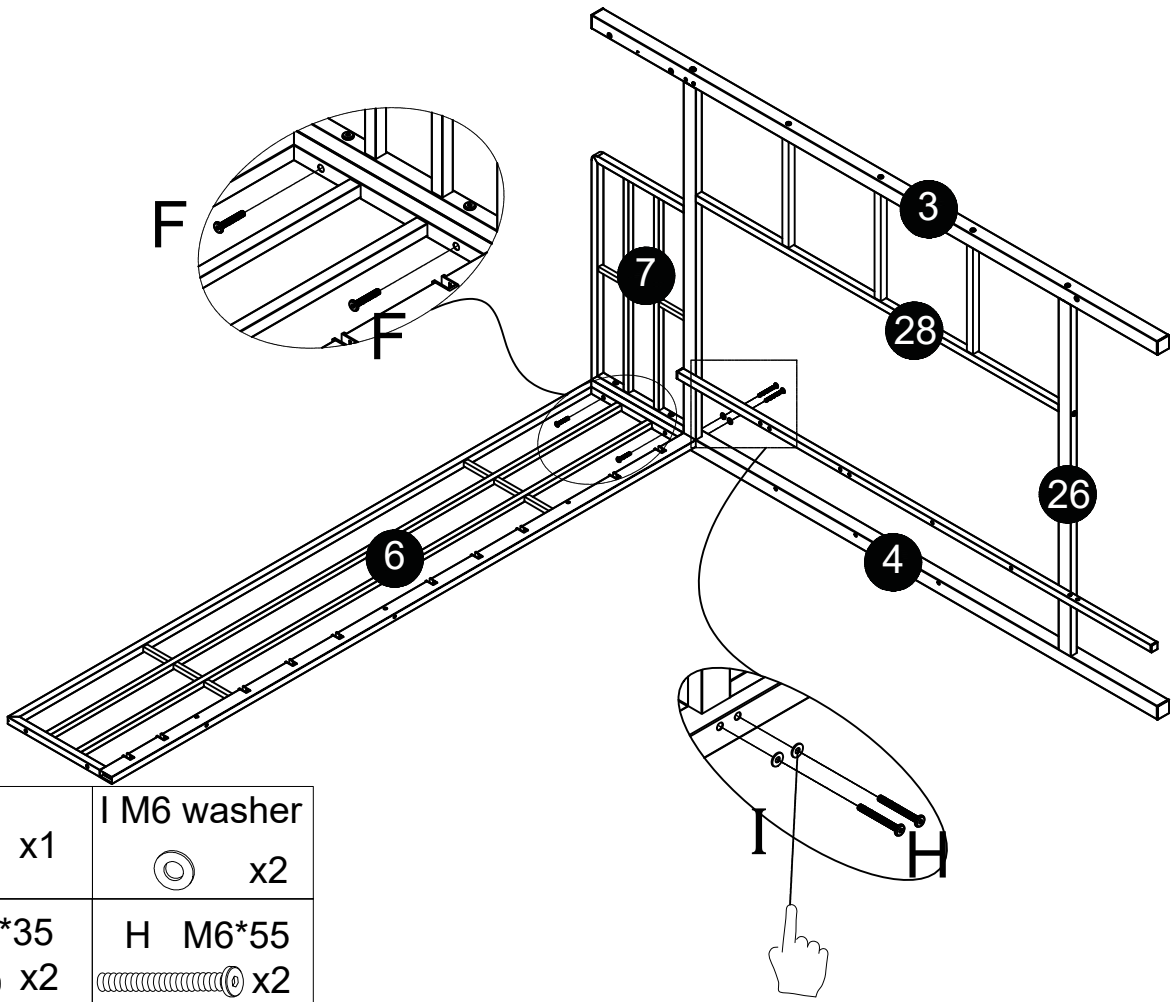
15 x1	1 x1
5 x1	2 x1
F M6*35 x4	H M6*55 x1

2



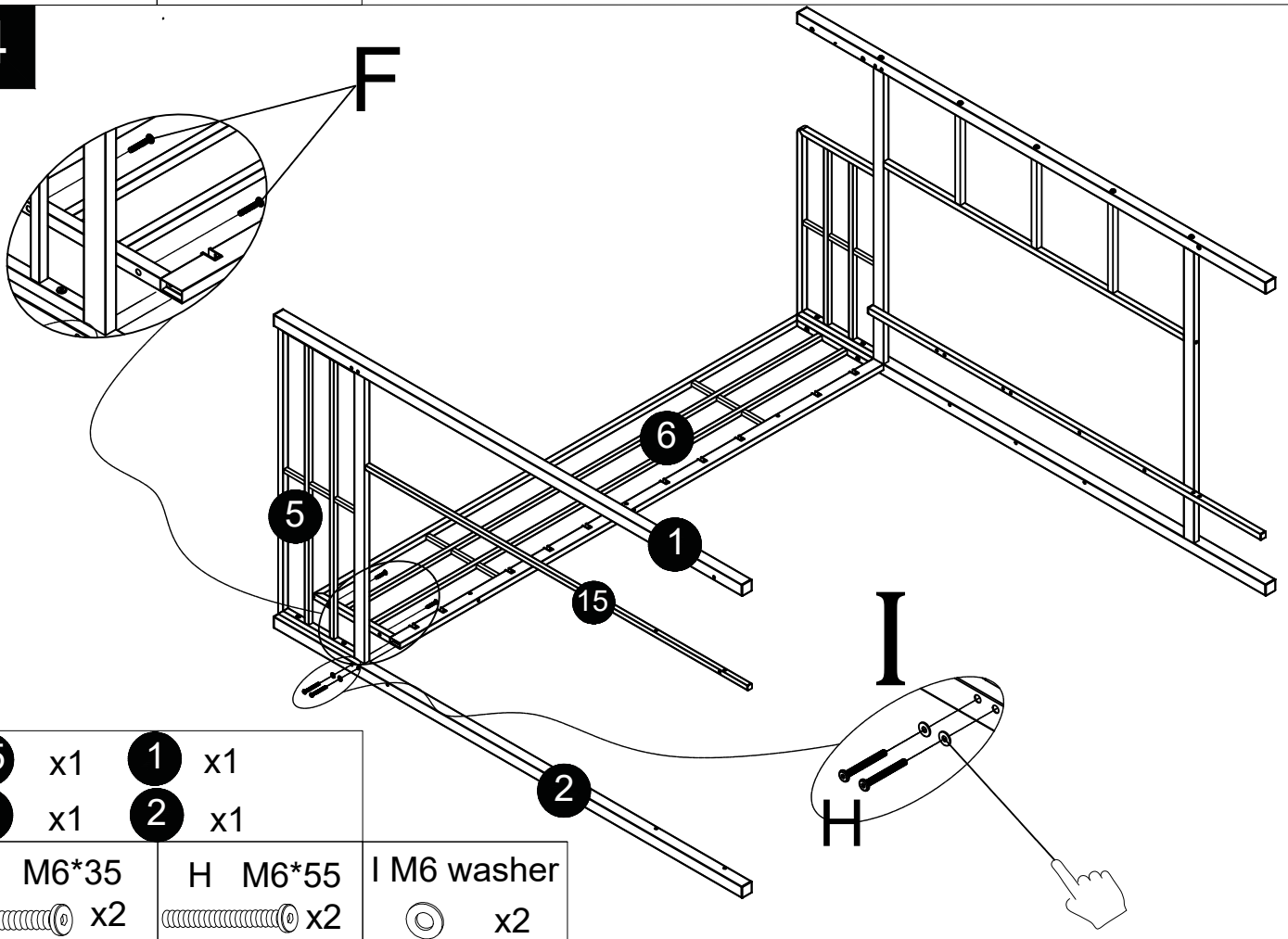
3 x1	7 x1	29 x1	27 x3
4 x1	26 x1	28 x1	
F M6*35 x7	H M6*55 x5	I M6 washer x3	D M6*25 x3

3



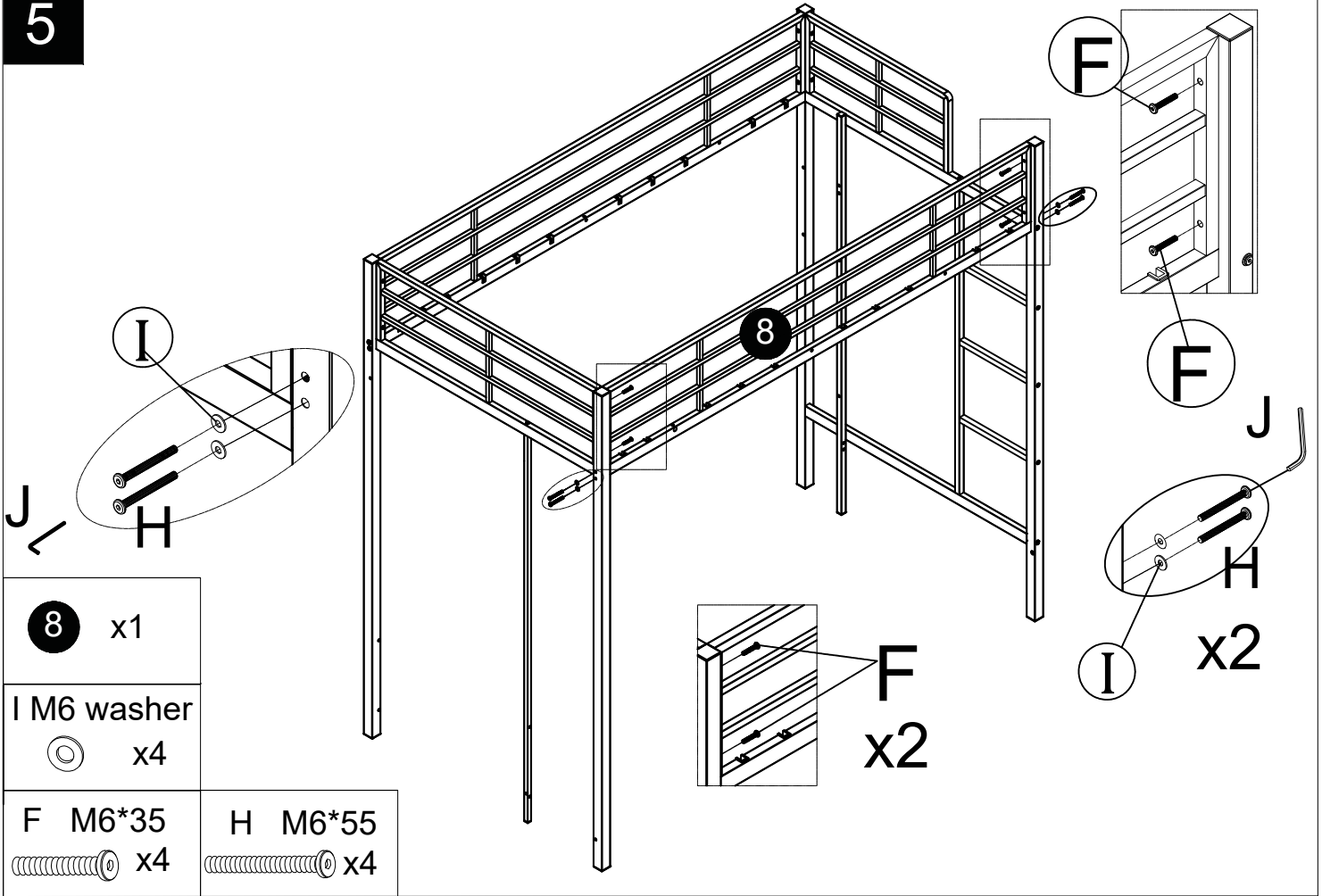
6 x1	I M6 washer ⊙ x2
F M6*35 🌀 x2	H M6*55 🌀 x2

4



15 x1	1 x1	I M6 washer ⊙ x2
5 x1	2 x1	
F M6*35 🌀 x2	H M6*55 🌀 x2	

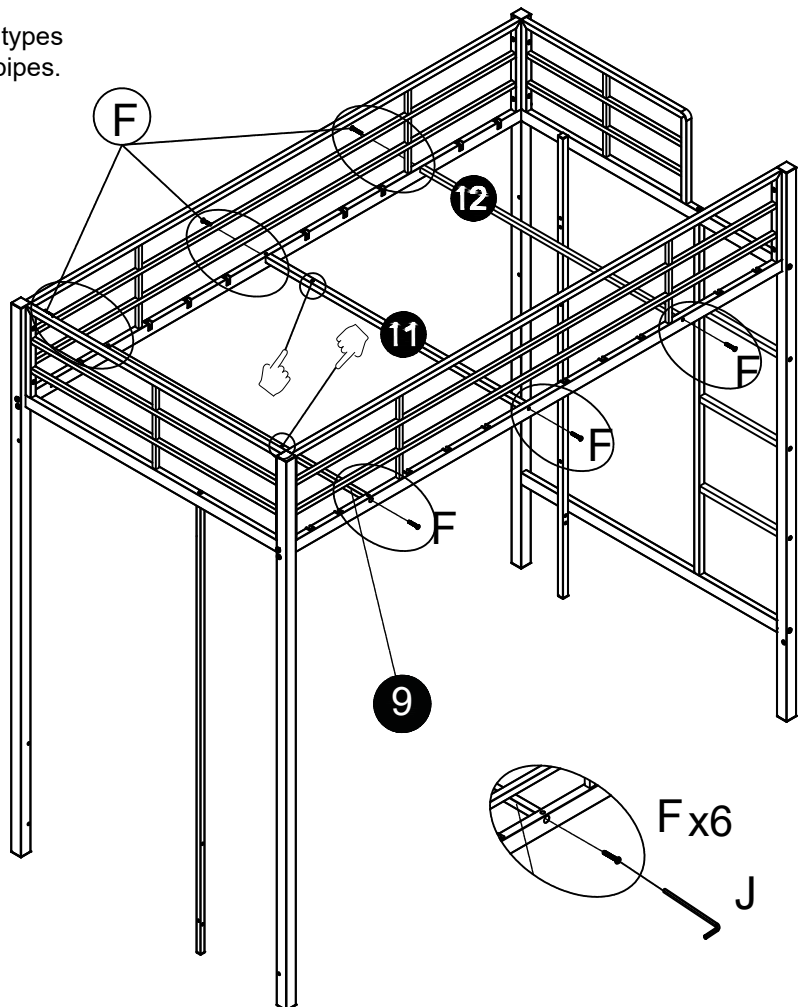
5

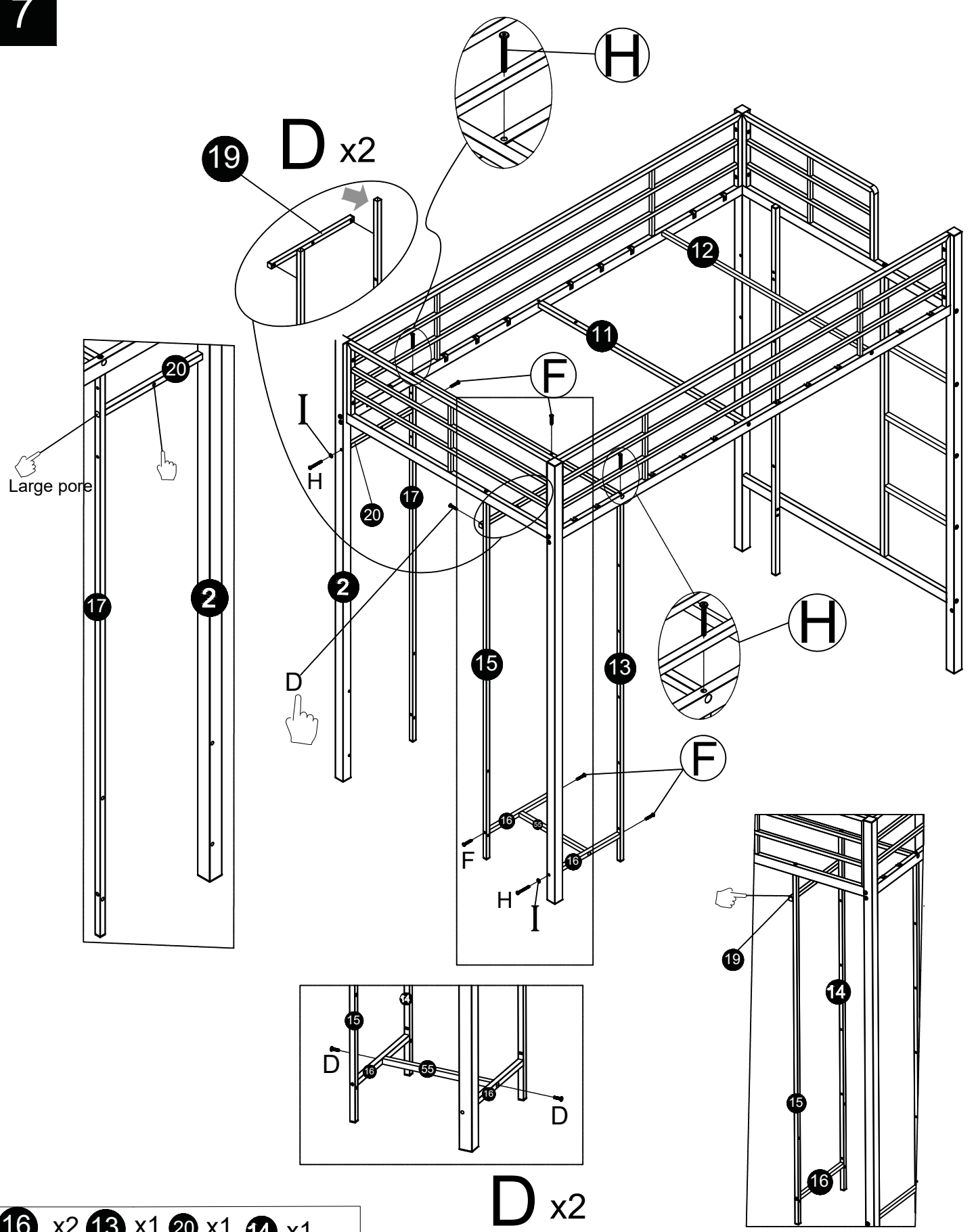


6

⚠ Pay attention to distinguish the types of upper and lower transverse pipes.

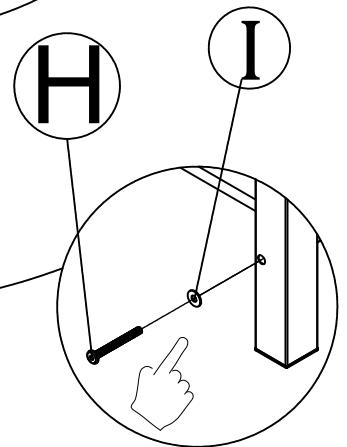
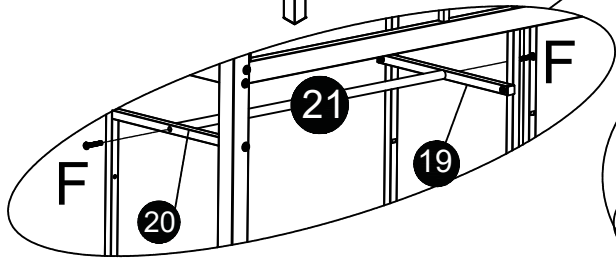
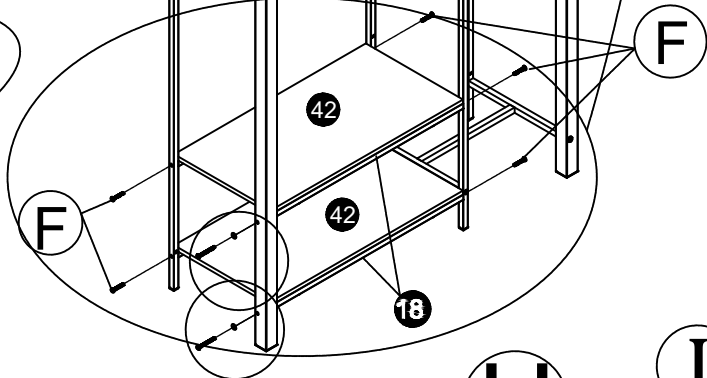
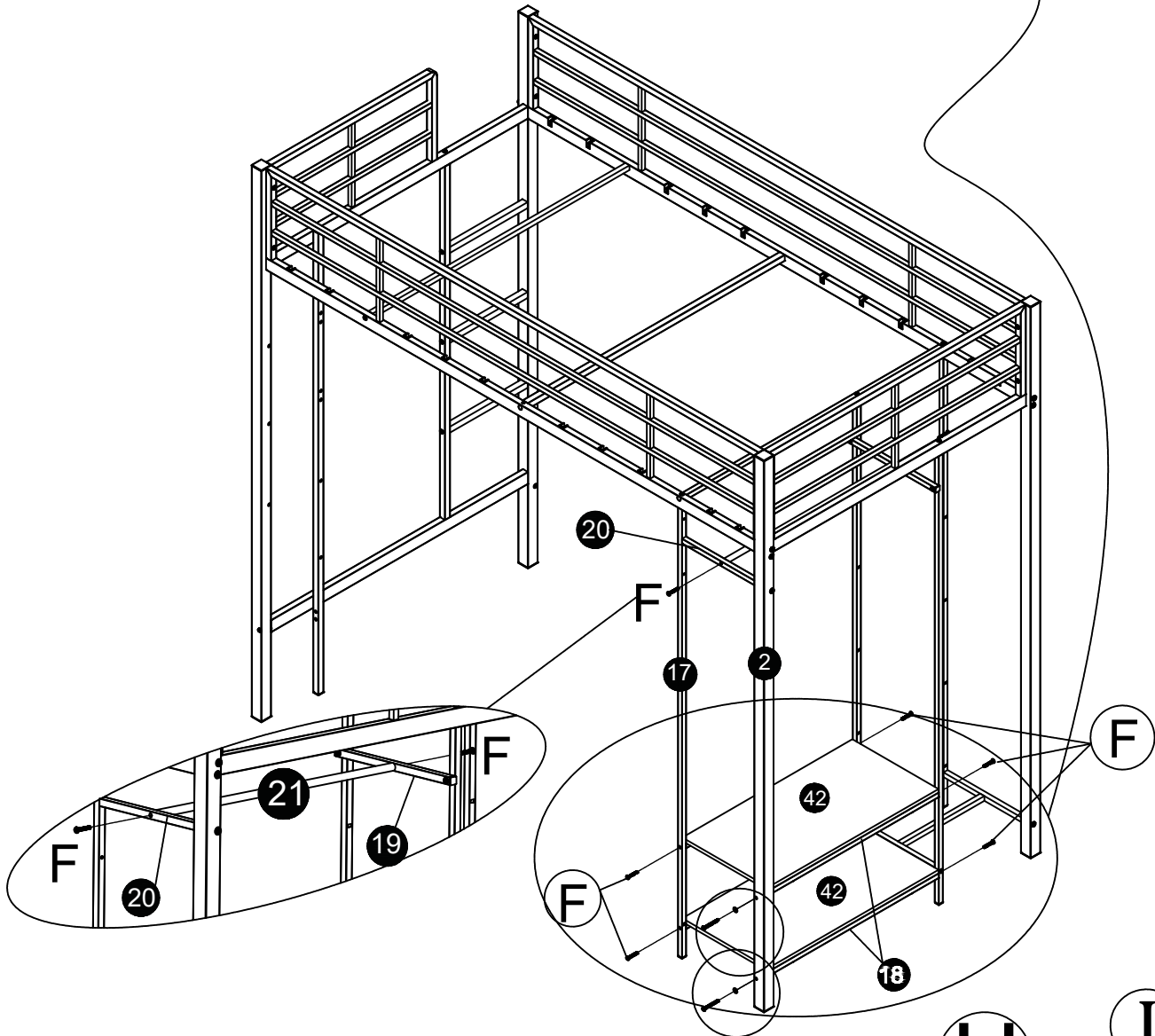
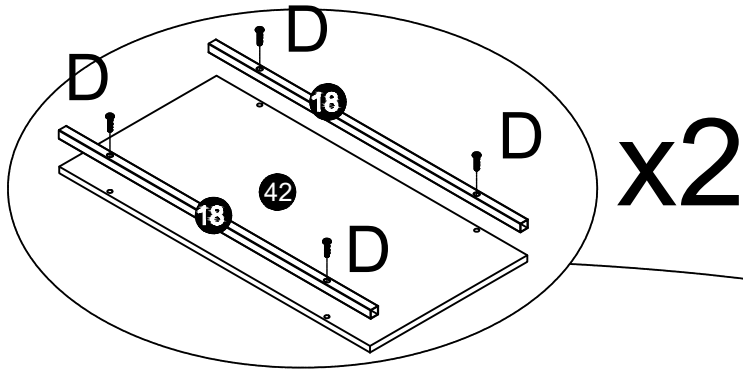
Please note that where there are large and small holes, the screws pass through and are fastened to the wall thickness of the pipe.

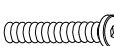




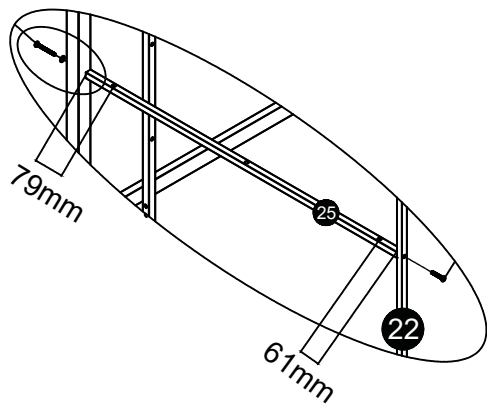
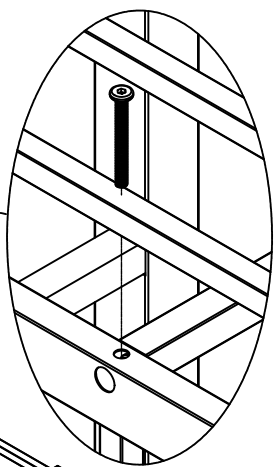
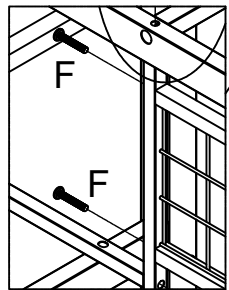
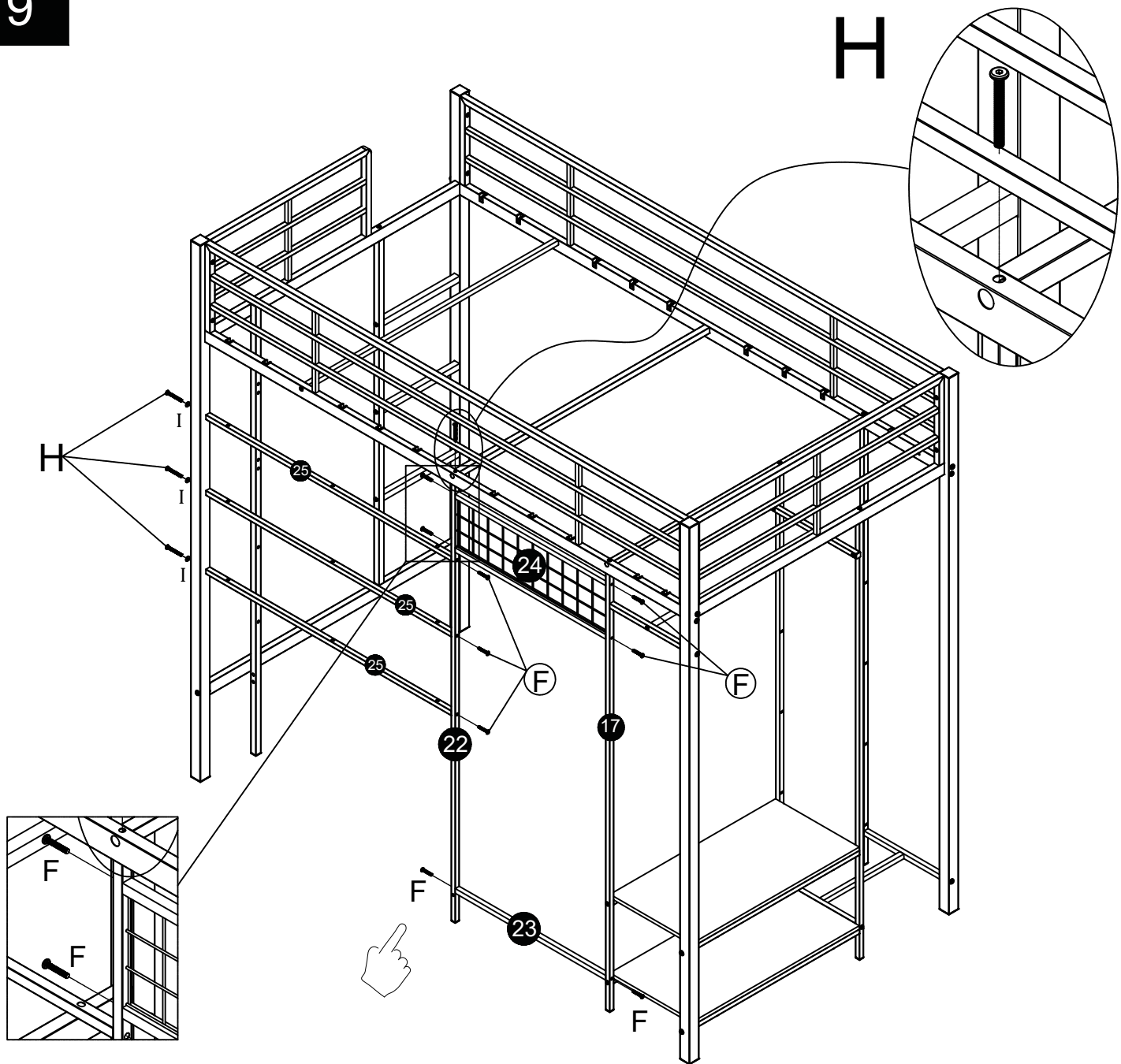


- 16** x2 **13** x1 **20** x1 **14** x1
- 15** x1 **19** x1 **17** x1 **55** x1

F M6*35 x5	H M6*55 x4	I M6 washer x2	D M6*25 x4
----------------------	----------------------	--------------------------	----------------------



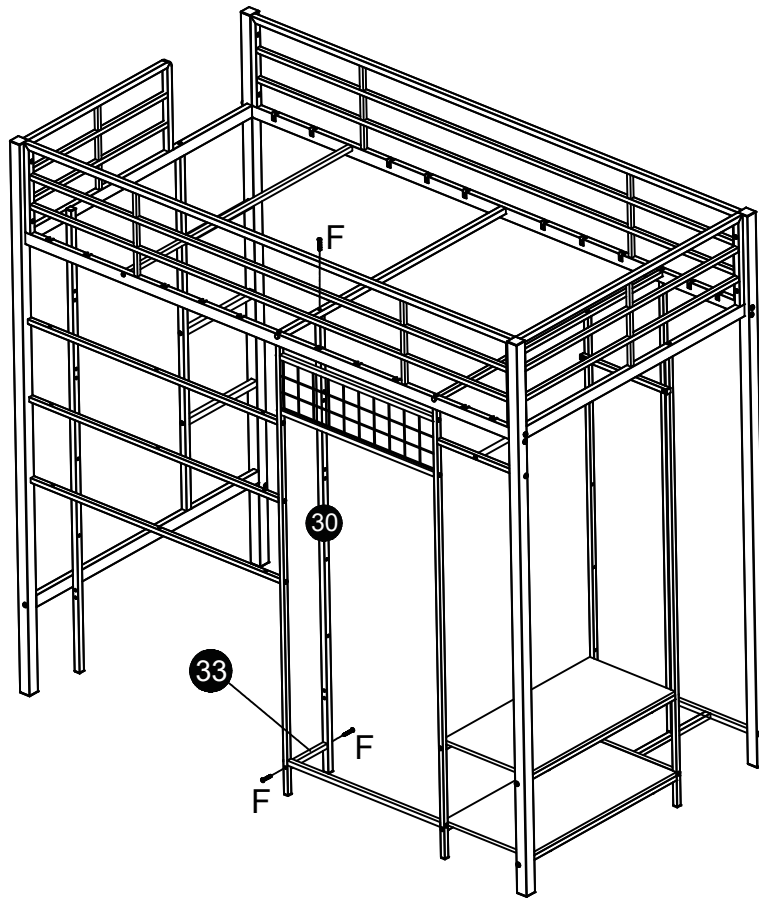
42 x2 21 x1	18 x4	I M6 washer ☉ x2
F M6*35  x8	H M6*55  x2	D M6*25  x8




23 x1	24 x1	
22 x1	25 x3	
F M6*35 ⌀ x9	H M6*55 ⌀ x4	I M6 washer ⌀ x3

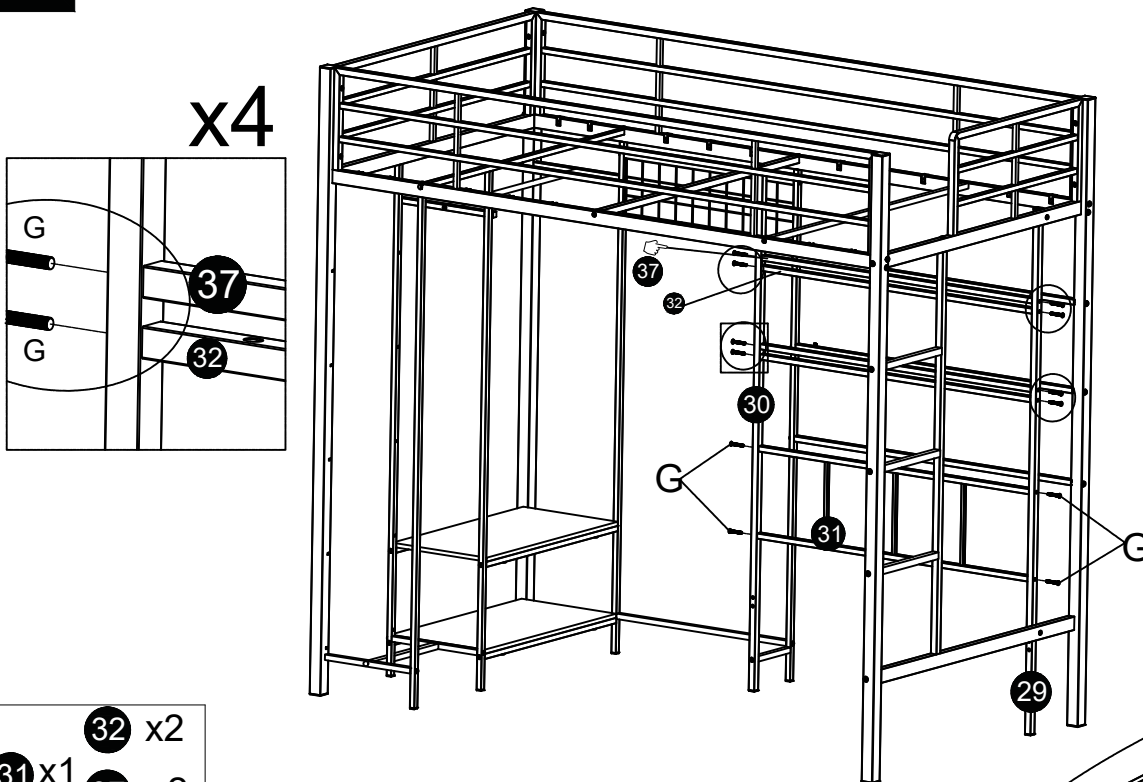
Please ensure the correct edge distance of the holes on pipe No. 25 before installation.

10

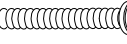


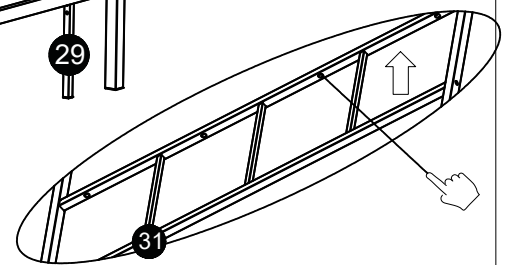
- 33 x1
- 30 x1
- F M6*35
-  x3

11

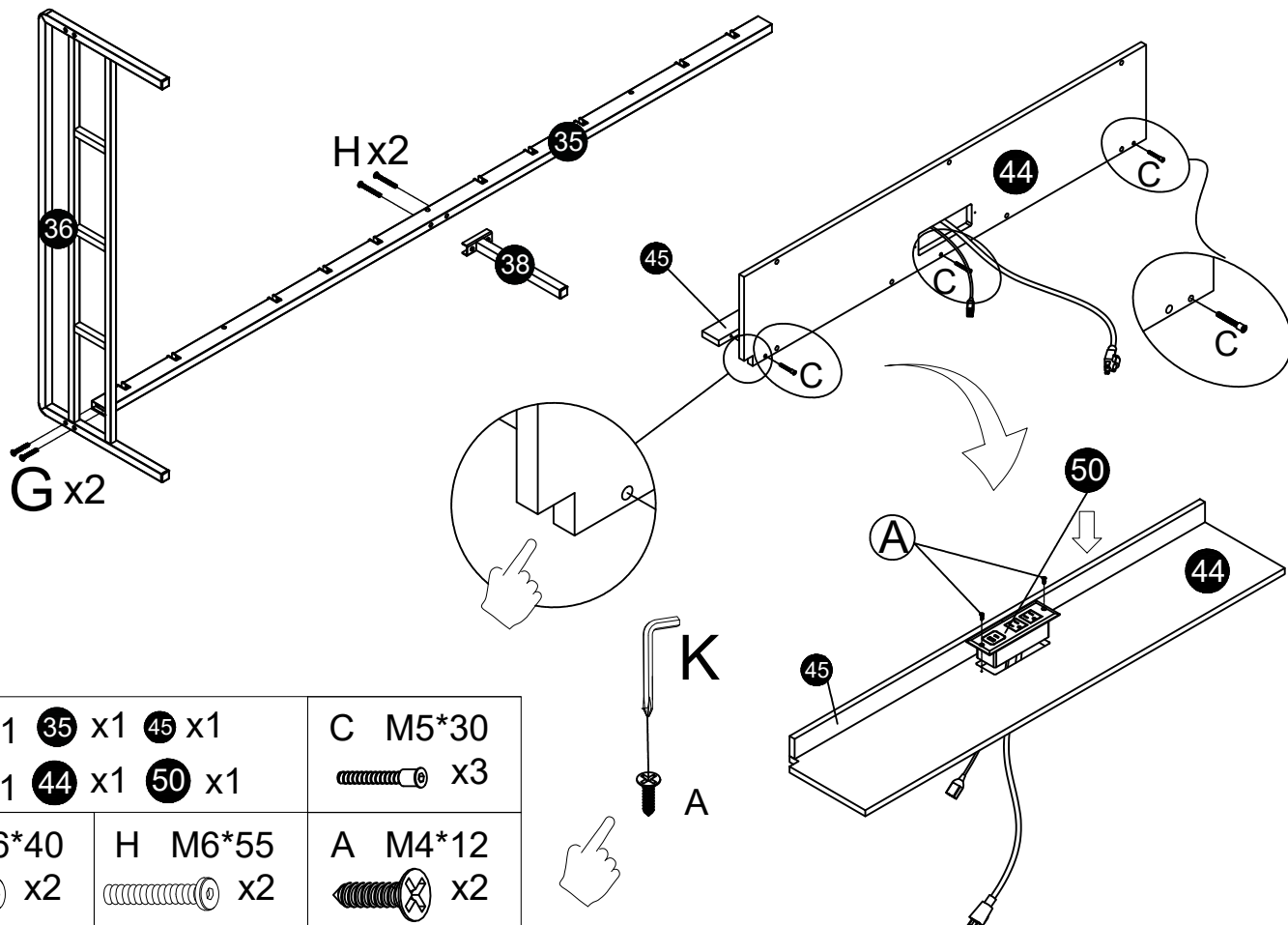


x4

- 32 x2
- 31 x1
- 37 x2
- G M6*40
-  x12

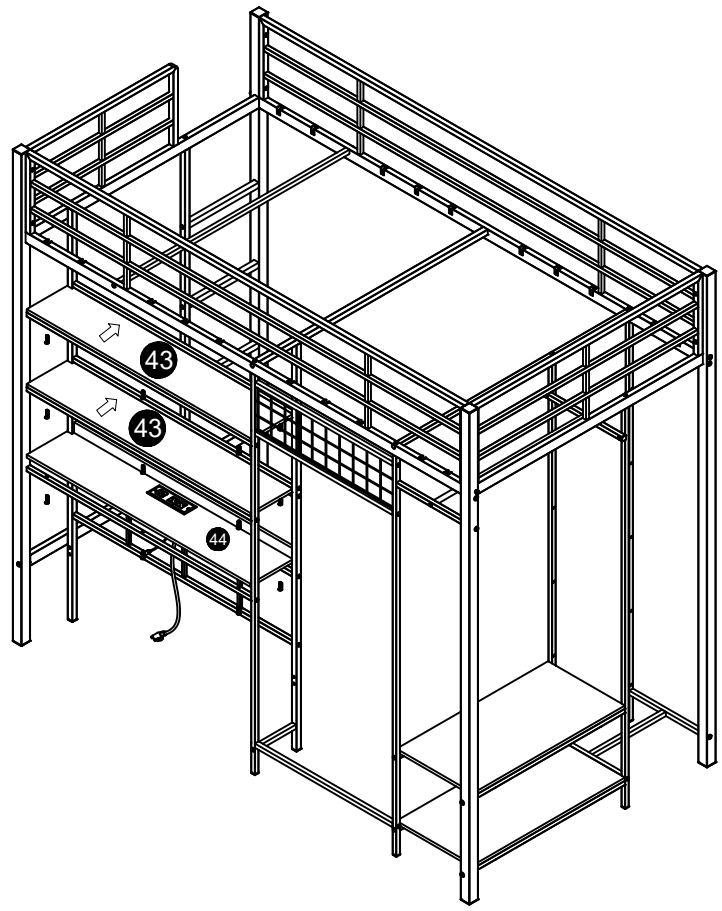
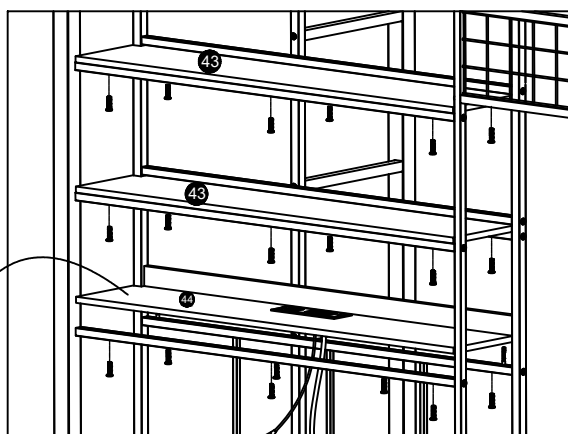
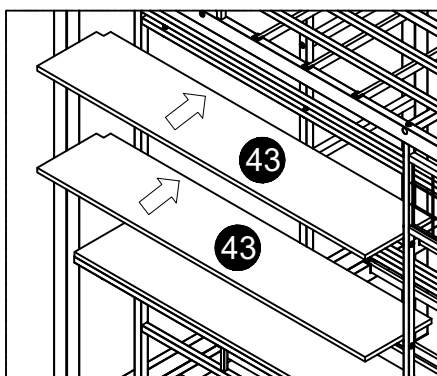


12



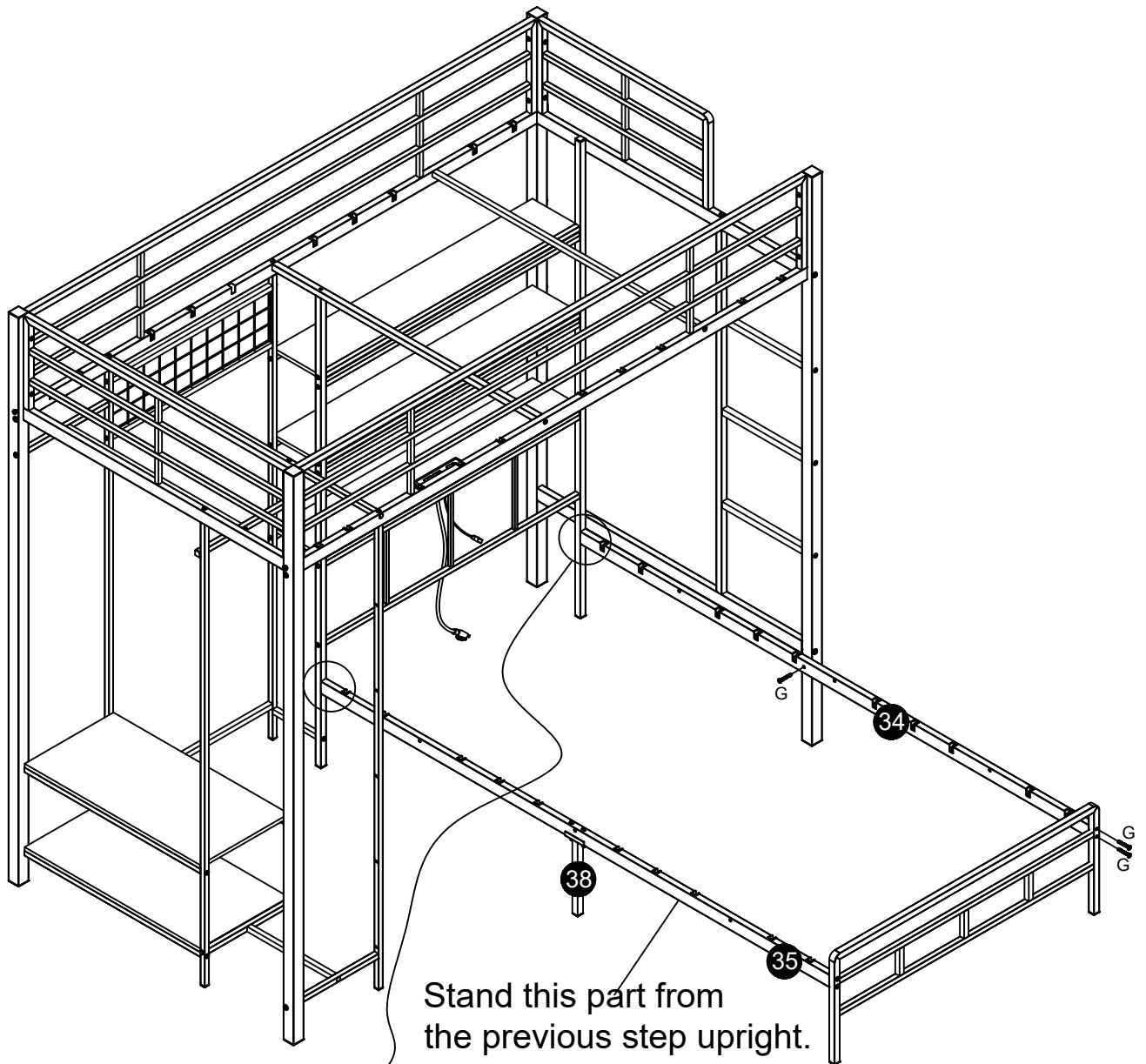
36 x1	35 x1	45 x1	C M5*30
38 x1	44 x1	50 x1	x3
G M6*40	H M6*55	A M4*12	x2
x2	x2	x2	

13

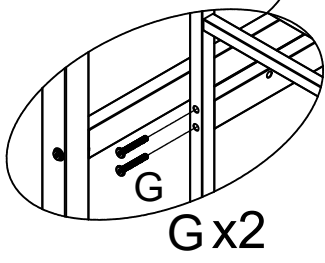



D x19

D M6*25	43 x2
x19	44 45 50 x1

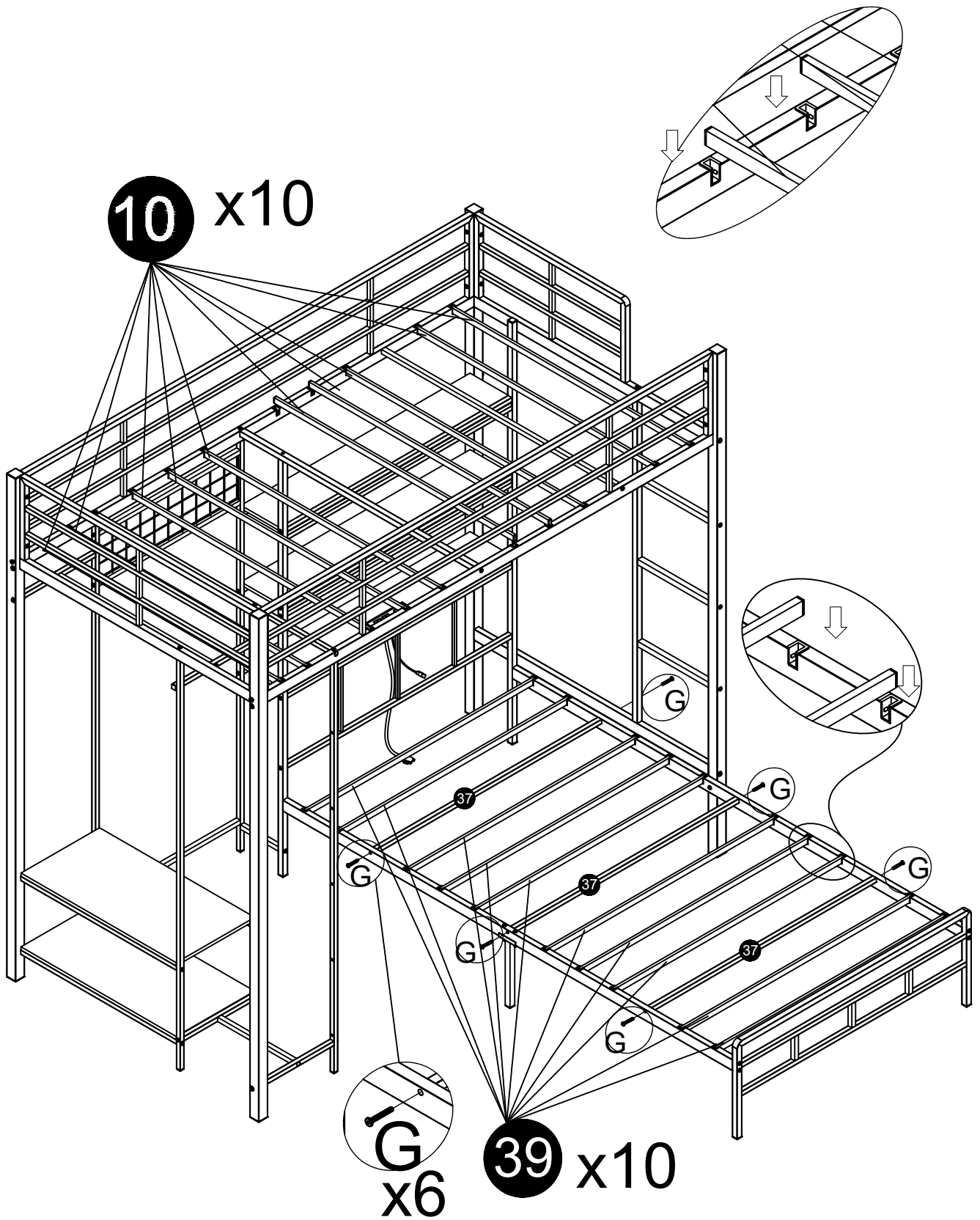


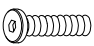
Stand this part from the previous step upright.



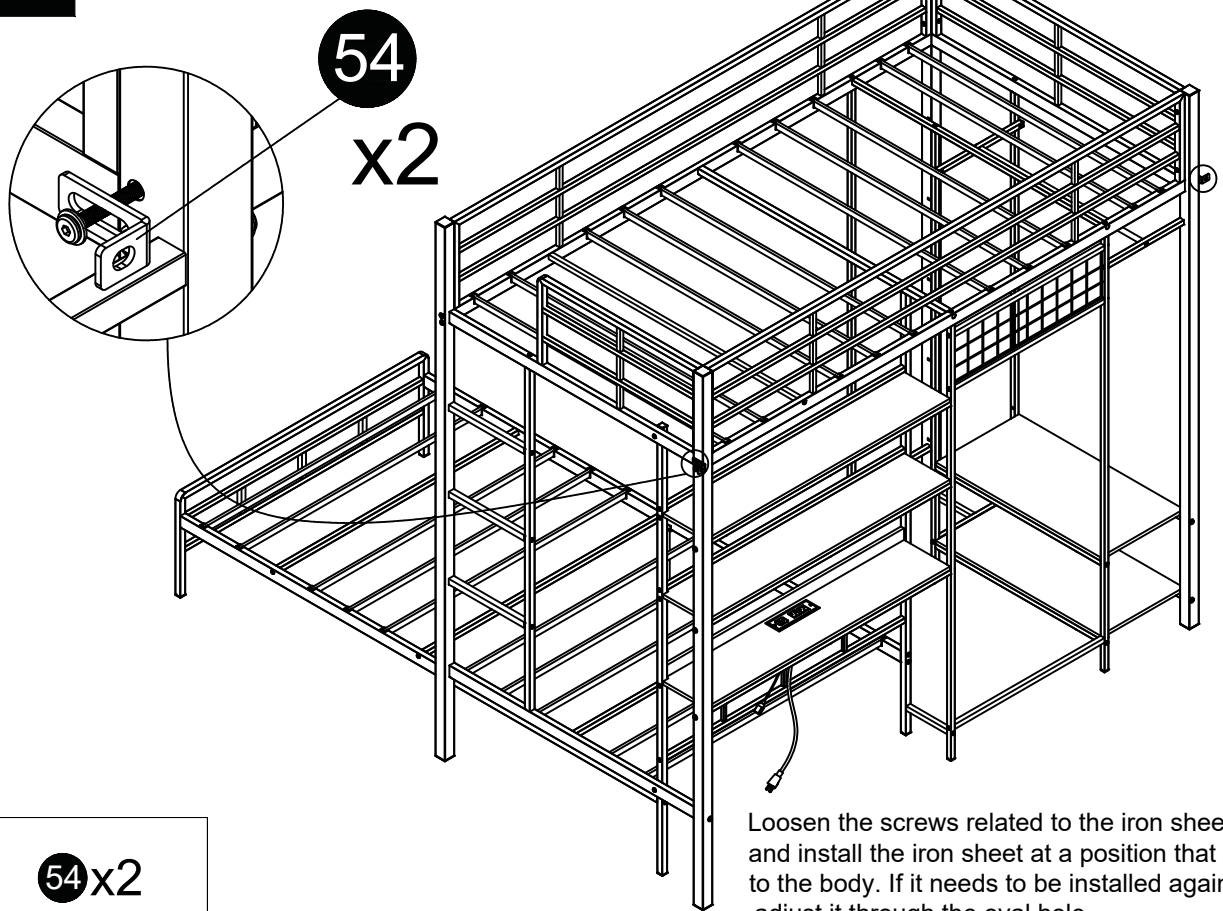
<p>G M6*40  x7</p>	<p>34 x1</p>
--	---------------------

! Pay attention to distinguish the types of upper and lower transverse pipes.



G M6*40	37 x3	10 x10
 x6	39 x10	

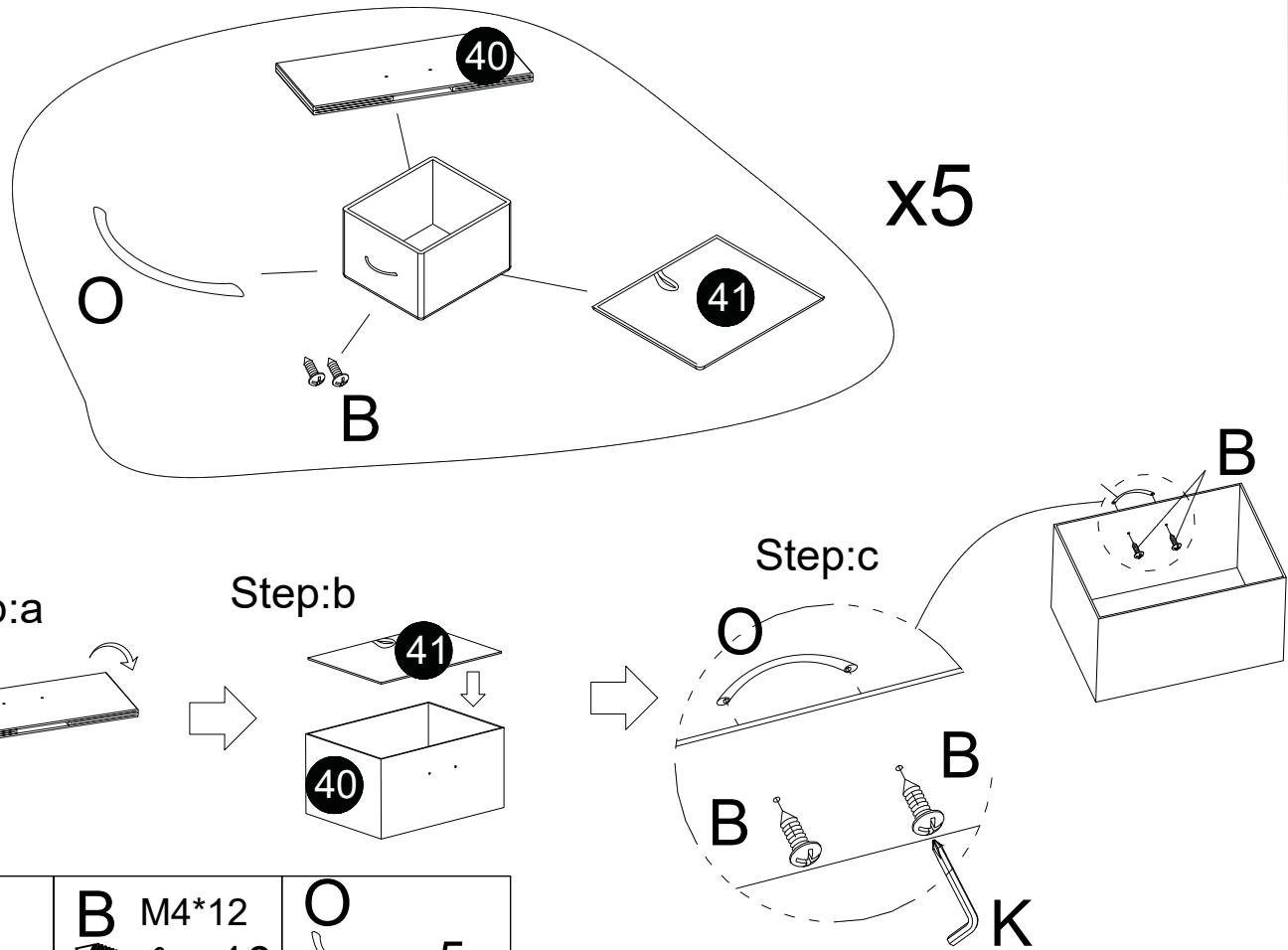
16



54x2

Loosen the screws related to the iron sheet and install the iron sheet at a position that will not cause harm to the body. If it needs to be installed against the wall, adjust it through the oval hole.

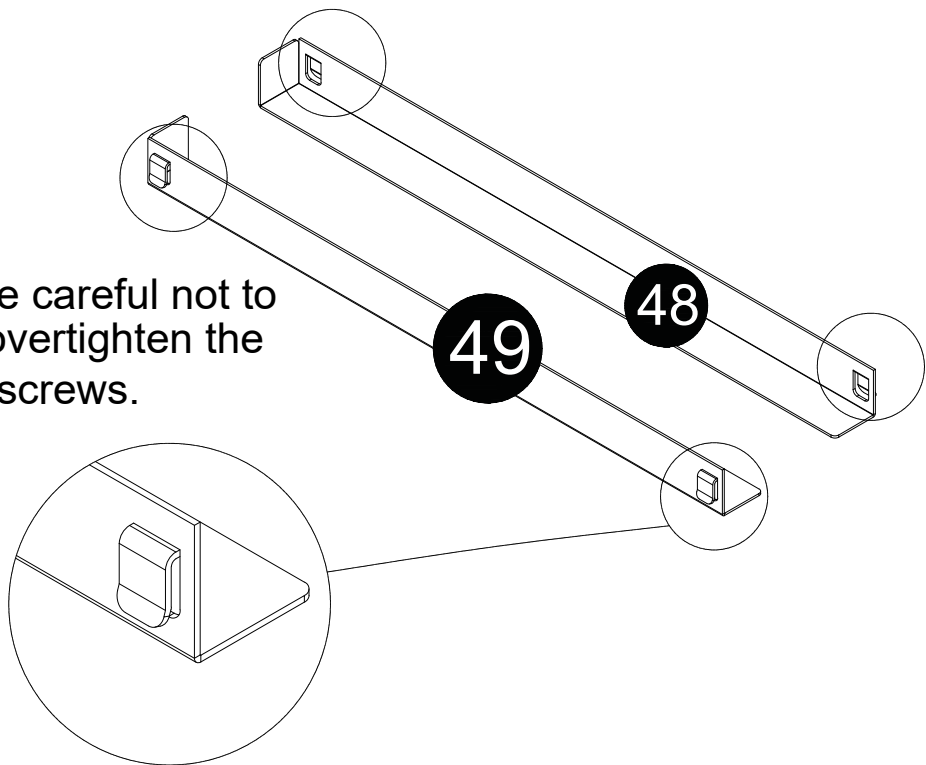
17



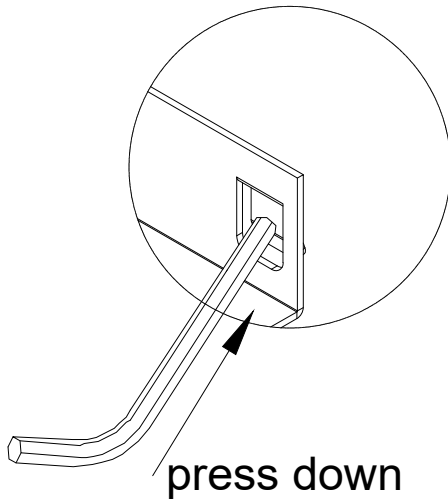
41 x5	B M4*12	O
40 x5	x10	x5



Be careful not to overtighten the screws.

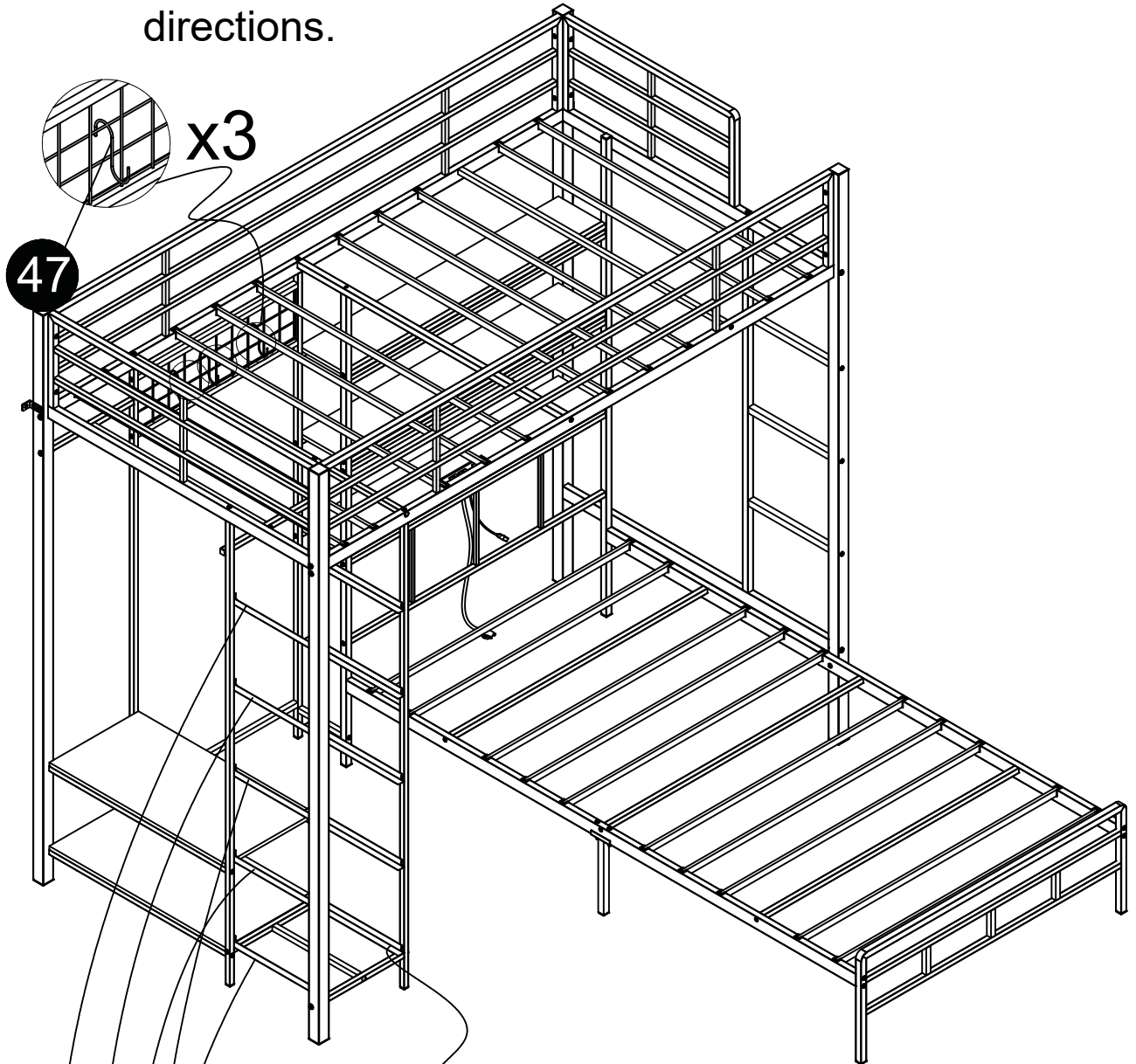


Check here before installation, if there is deformation due to squeezing, please adjust it with tools to avoid affecting normal installation.

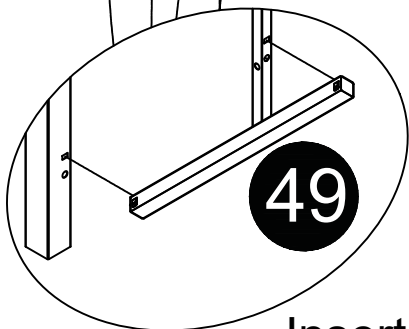


Please fine-tune in this direction to make it easier to install.

Please pay attention to the left and right directions.

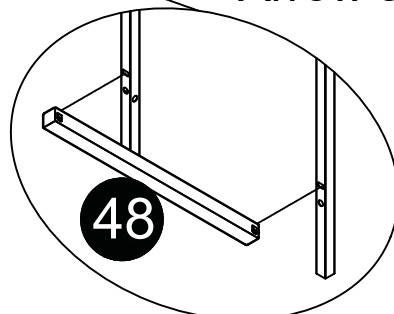


Insert the square hole in the direction of the Arrow and press down

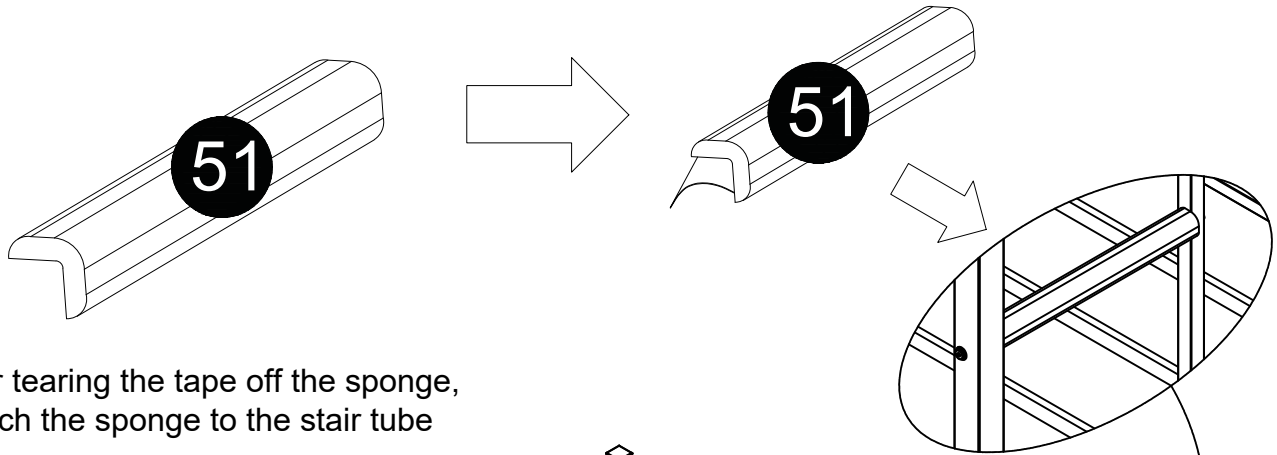


x5

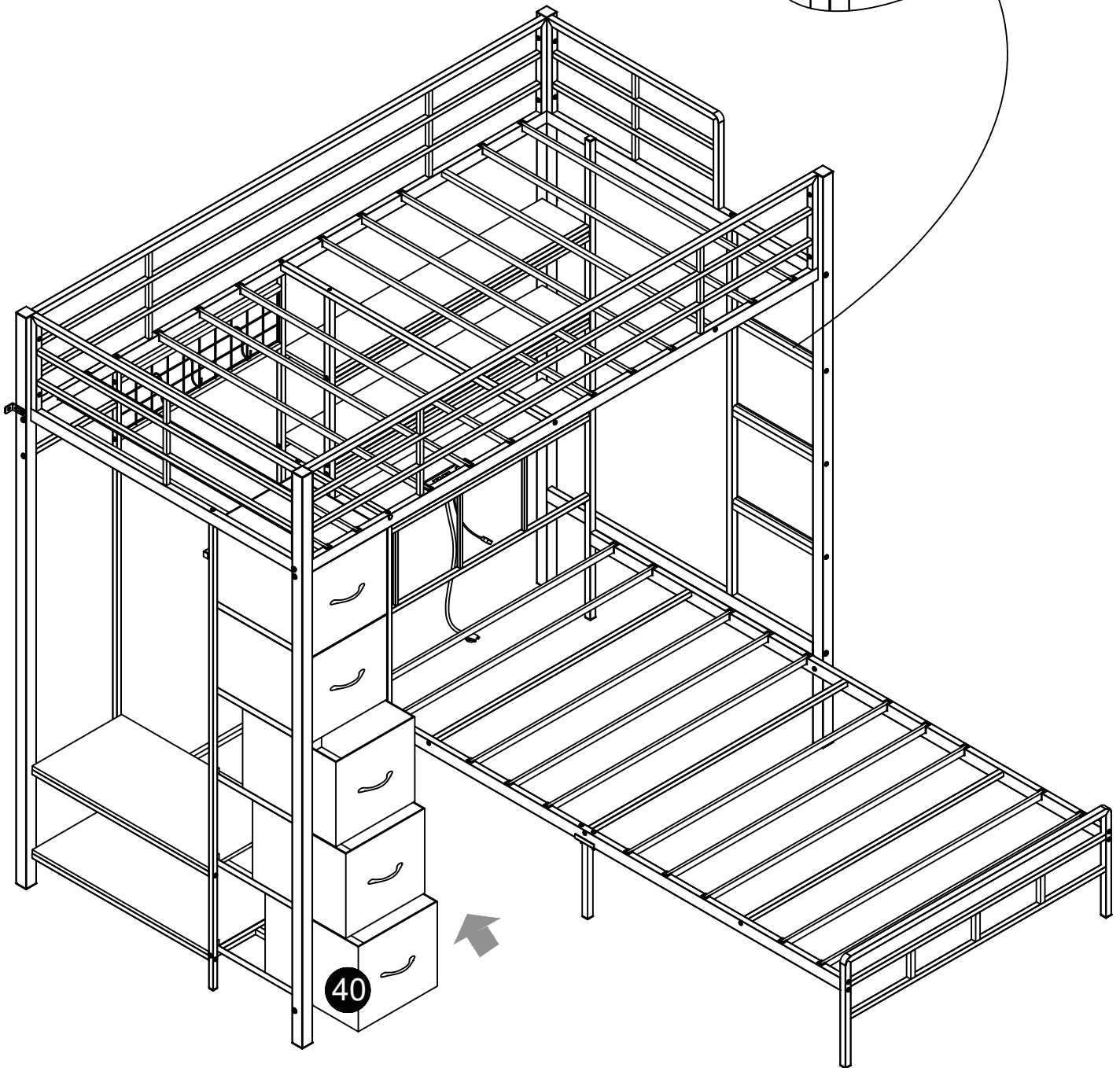
Insert the square hole in the direction of the Arrow and press down



x5

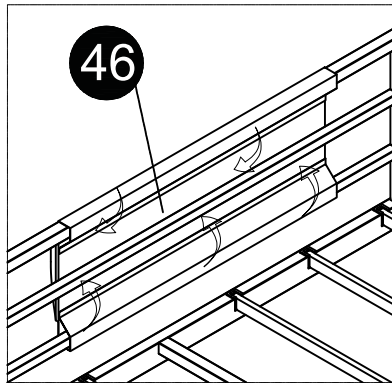
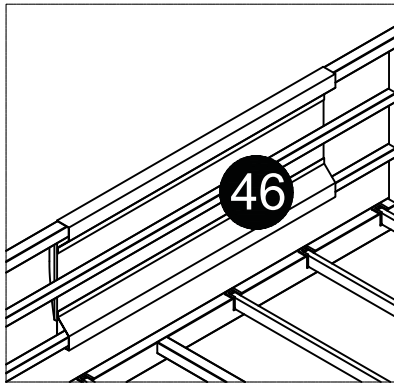


After tearing the tape off the sponge, attach the sponge to the stair tube

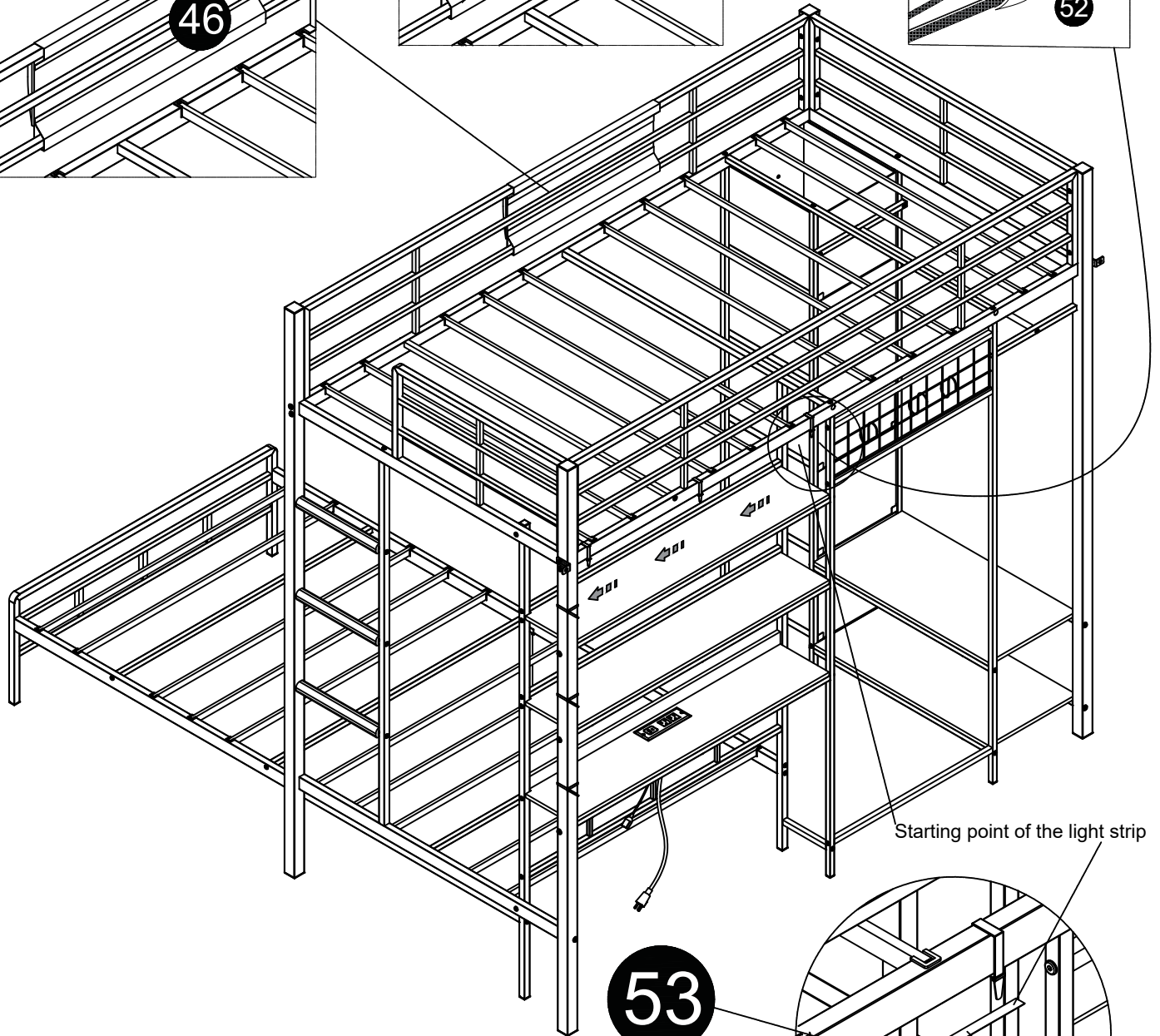
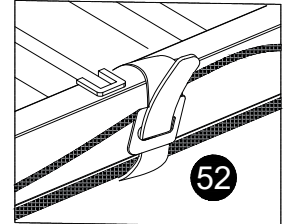


51 x3

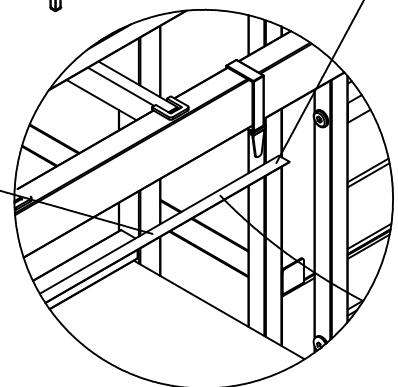
41 x5
40 x5



The light strip is installed below the square tube



53



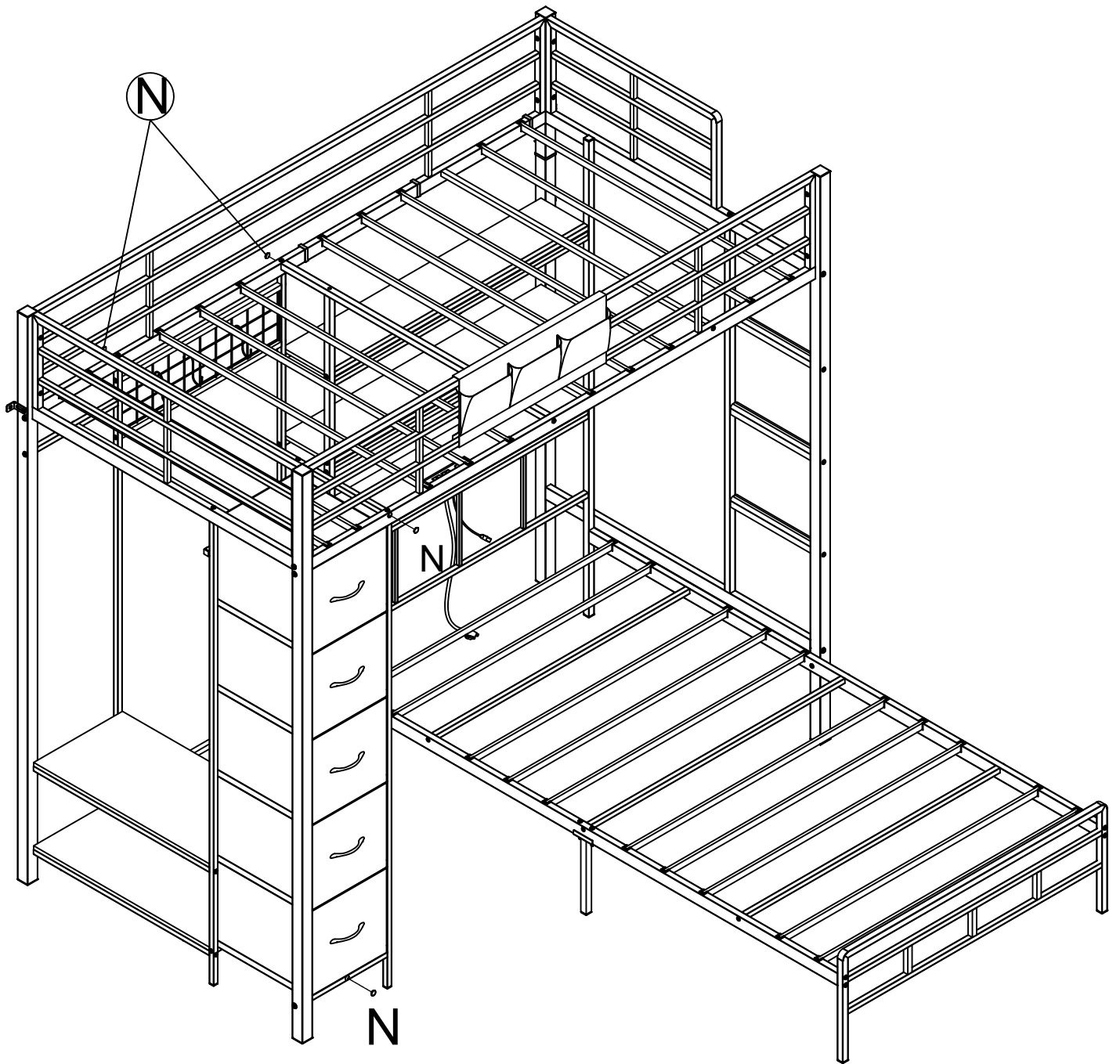
53 x1


46 x1

52 x6

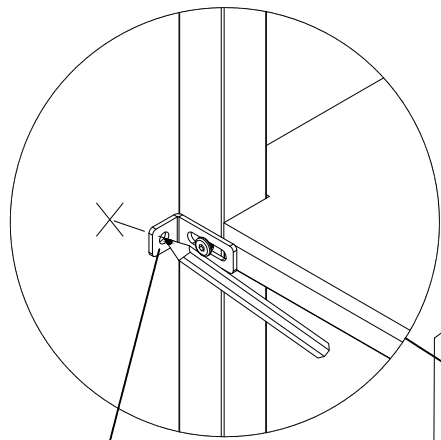
53

Tear off the end of the tape .Stick it in the position as shown



N	Ø14
	x4

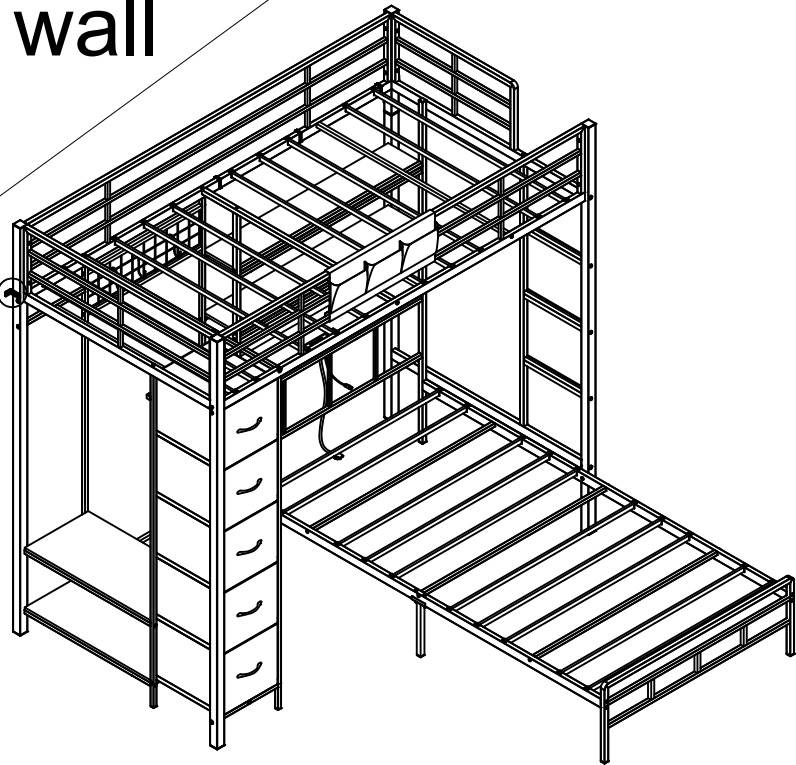
23 Positioning



54

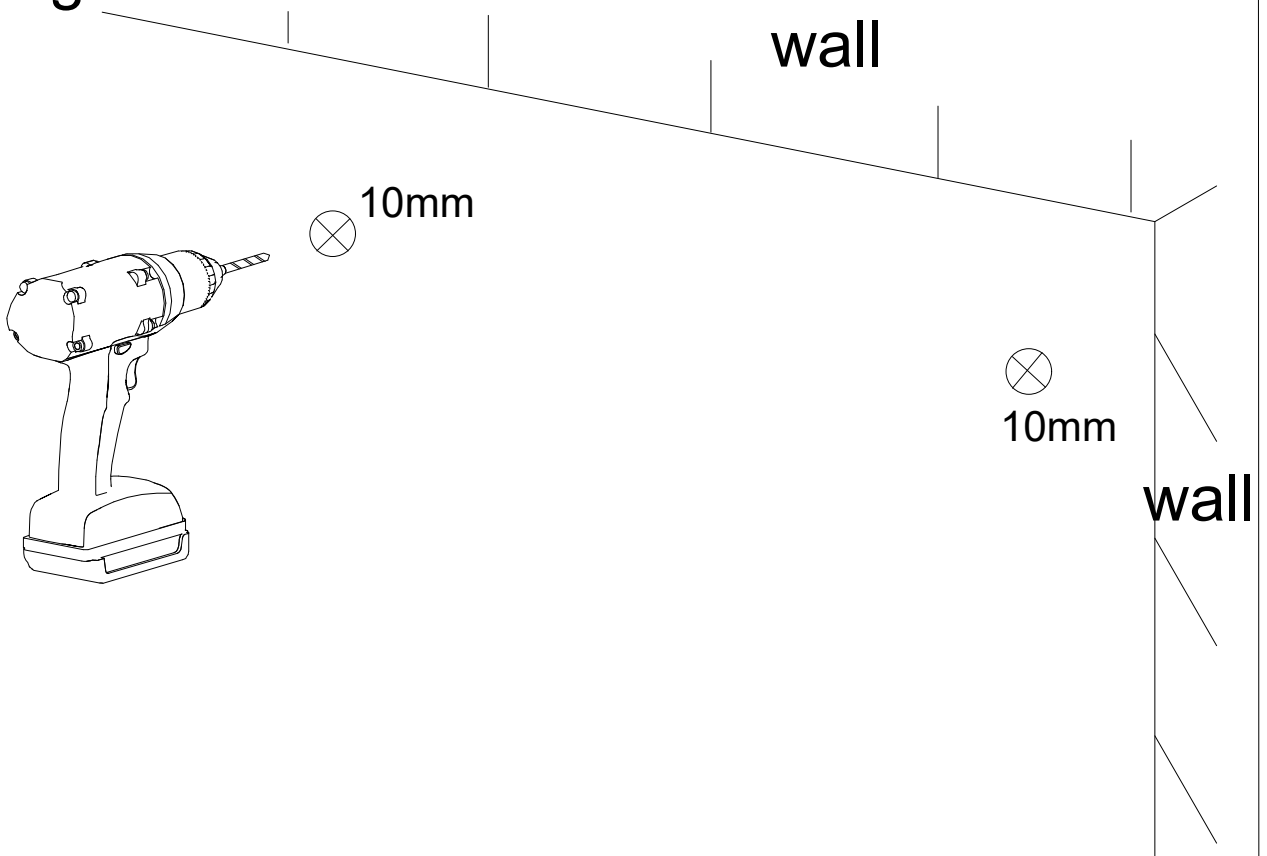
wall

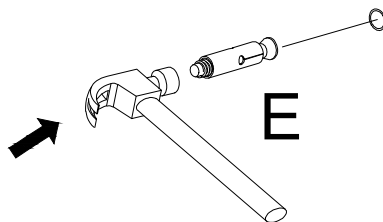
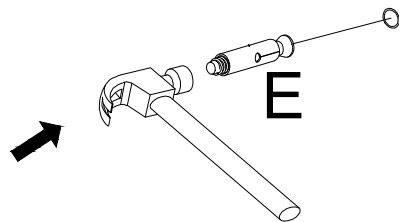
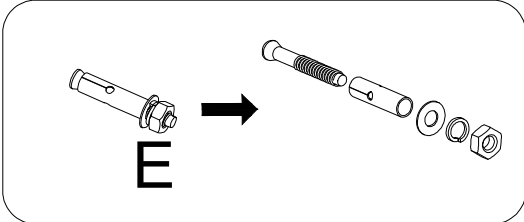
wall



54 x2

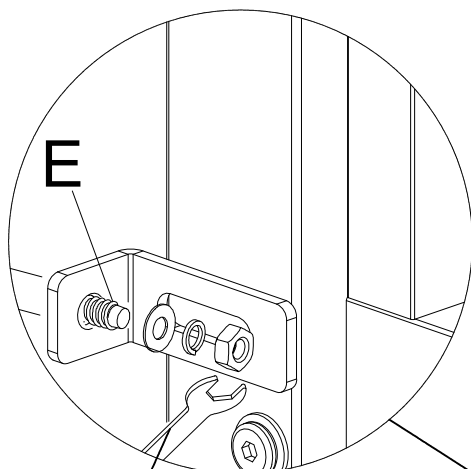
24 Drilling





wall

Please lock the expansion screw onto the wall.

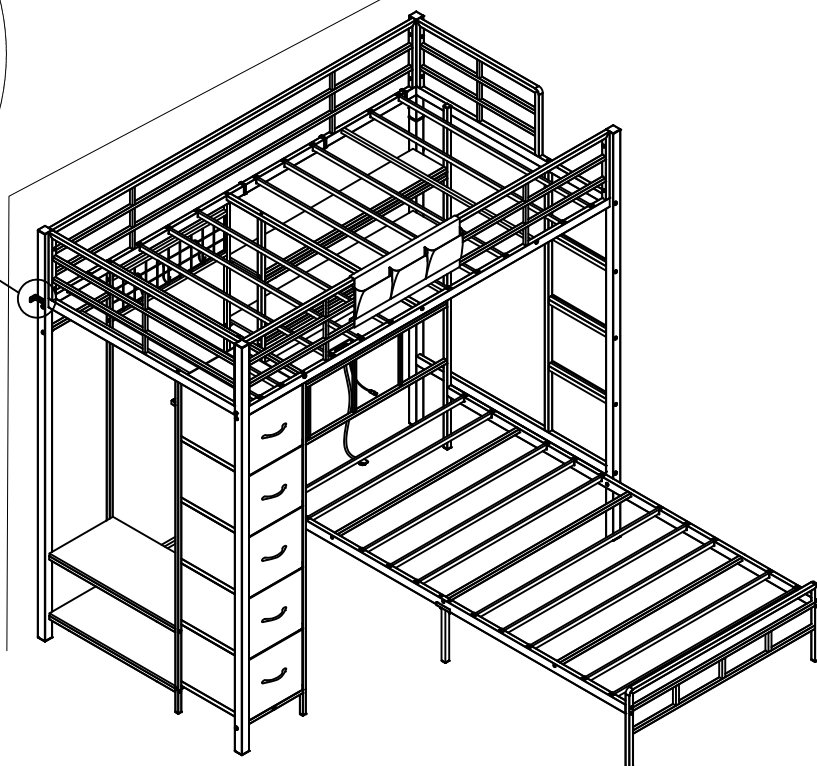




X2

L

wall

wall



E	M6	L	M6
	x2		x1

*NOTE: Tighten the screws that were not tightened before.