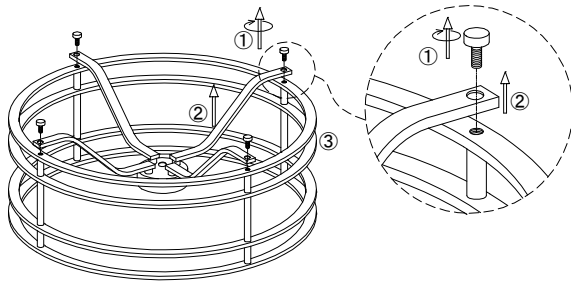
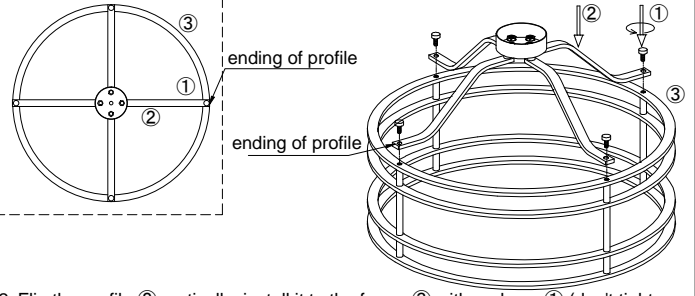


①		⑦	 light fixture 1pcs	⑪	 fabric lampshade 1pcs	X 1PCS X 1PCS
②		⑧	 cover 1pcs	⑫	 bottom plate 1pcs	X 3PCS X 3PCS
③		⑨	 metal ring 1pcs			X 3PCS
④		⑩	 chain 1pcs	⑬	 canopy 1pcs	X 3PCS X 3PCS
⑤	⑥			⑭	 cap nut 2pcs	

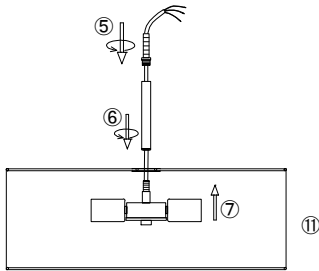


1. Loosen and remove out the end cap ① and profile ② from the frame ③.

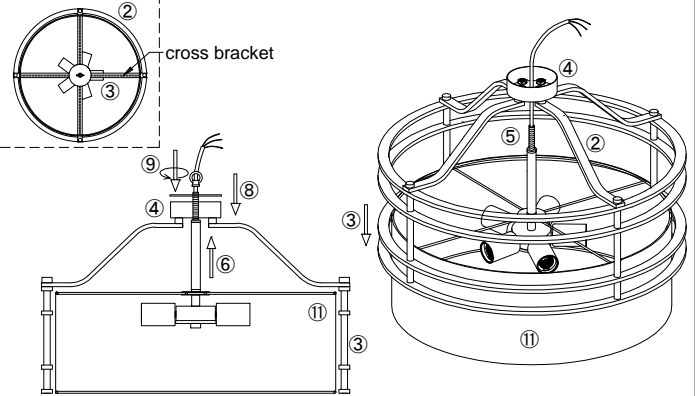


2. Flip the profile ② vertically, install it to the frame ③ with end cap ①. (don't tighten the end cap ① until all end caps ① are ready in the hole of frame ③, rotate to fasten the end cap ① at last)

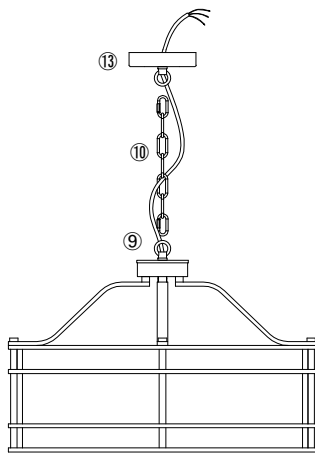
Please operate with gloves to avoid leaving stains on the lampshade.



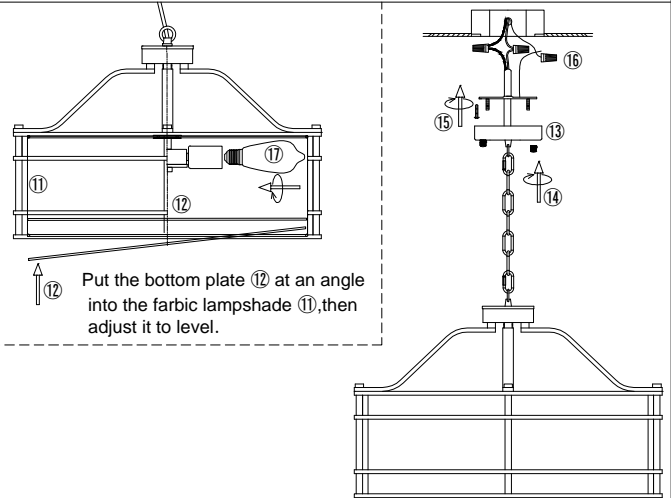
3. Let the wire of the fixture ⑦ go through the lampshade ⑪, hanging tube ⑥ and threaded rod ⑤, rotate rod ⑤ to install all parts together.



4. Let the wire go through the metal box ④, push down the metal frame ③ and let the fabric lampshade ⑪ in the frame ③, rotate to adjust the profiles ② and the cross bracket of lampshade ⑪ horizontally.
5. Let the wire go through the cover ⑧ to the metal box ④ with ring ⑨, rotate the ring ⑨ to install the metal frame and light fixture together.



6. Hang the fixture to the canopy ⑬ with chain ⑩, let the wire go through the chain ⑩ and canopy ⑬.



Put the bottom plate ⑫ at an angle into the fabric lampshade ⑪, then adjust it to level.

7. Install the bracket to the ceiling junction box with screw ⑮.
8. Connect the wire to the home line with cap connector ⑯.
9. Install the fixture to the bracket with cap nut ⑭.
10. Install the bulb ⑰ and bottom plate ⑫.

Please read carefully before installation!!!

Note : Please make sure that the electricity is powered off during installation !

Only a professional electrician should install this kind of product !