



Instruction Manual Rain Shower System

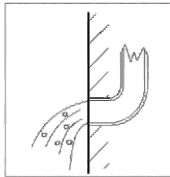
CONTENT

1:Installation Condition	1page
2:Product photo	2page
3:Product List	3~5page
4:Model:M6630 22In Shower Head Installation	6page
5:Main body valve installation	7page
6:Model:M6627&M6628Two-Function Main Connecting Pipe Schematic Diagram	8page
7:Model:M6627&M6628 Two-Way Function Main Body Connecting Pipe Schematic Diagram	8page
8:Model:M6630&M6603 3 Way Function Main Body Connecting Pipe Schematic Diagram	9page
9:Main Body Assembly Schematic Diagram	9page
10:Model:M6603 Shower Holder Installation	10page
11:Model:M6603 Install The Tub Spout	10page
12:Model:M6627&M6628Lifing Rod Installation	11page
13: Moder:M6627&M6630&M6628Installation Of Rain Shower Head	12page
14:Moders:M6630 Shower Holder Installation	12page
15:Moders:Care and maintenance	13page

◆ INSTALLATION CONDITION



- 1.Refer to the 《Standard Part List》 when unpacking ,
check all parts available .
- 2.Do not disassemble mixer body by yourself.
- 3.Connect inlet hoses to supply valves.
- 4.Make sure inlet pipes and supply valves have been
installed and cleaned, also ensure no impurities in
pipeline.
- 5.After installation , check all joints for leakages.
- 6.Suggest don't fit the faucet in the severely corrosive environments.



◆ PRODUCT PHOTO



MODEL:M6630
THREE FUNCTION SHOWER SET



MODEL:M6628
TWO FUNCTION SHOWER SET



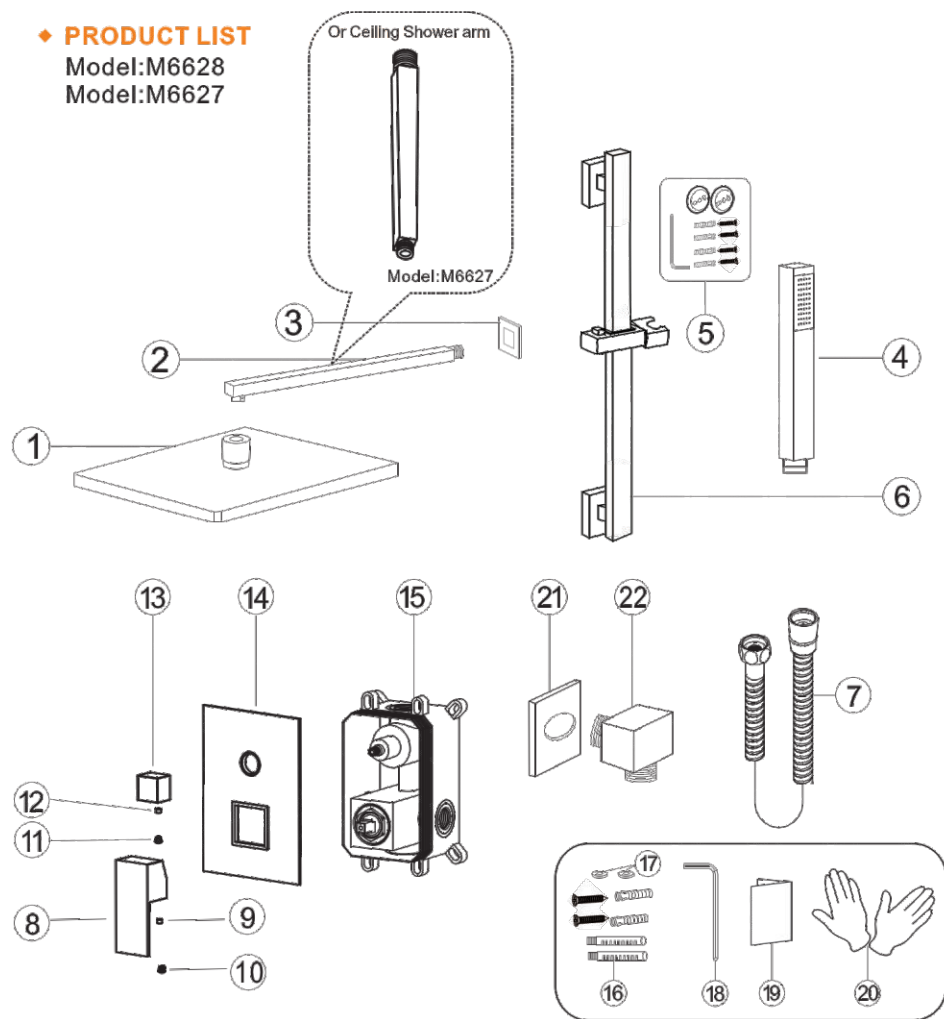
MODEL:M6627
CEILING TWO FUNCTION SHOWER SET



MODEL:M6603
THREE FUNCTION SHOWER SET

◆ **PRODUCT LIST**

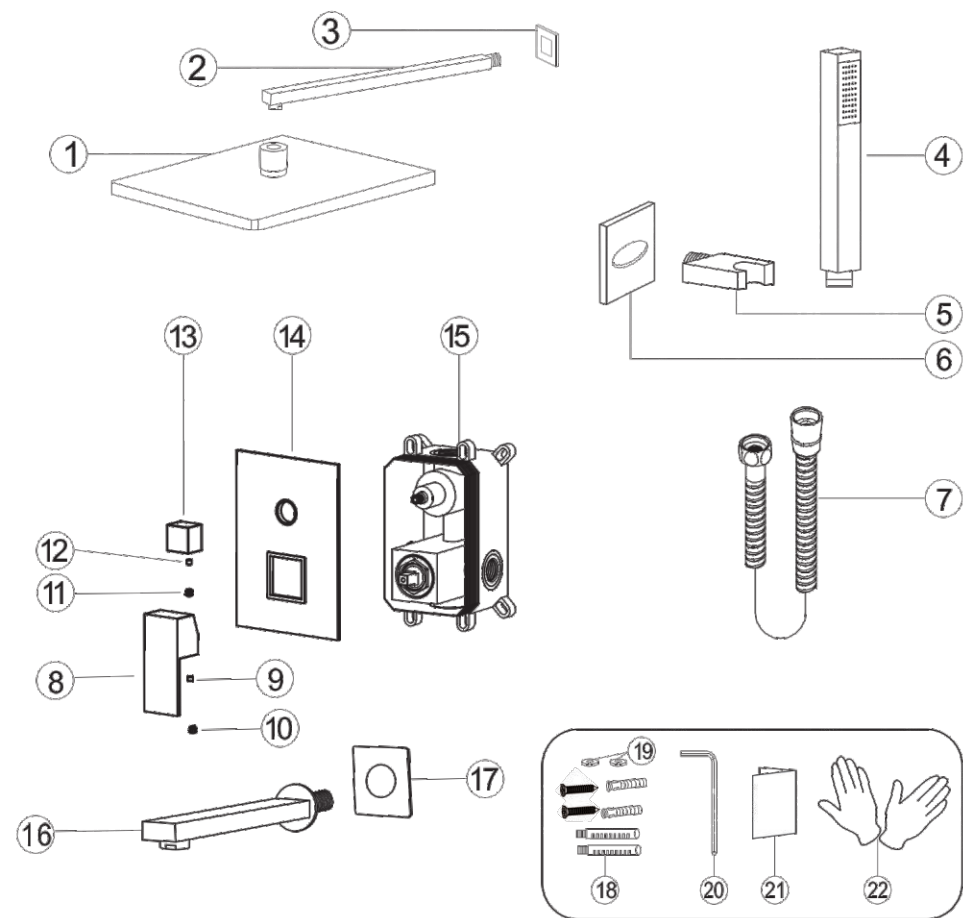
Model:M6628
Model:M6627



No.	Part name	Qty	No.	Part name	Qty
1	Shower head	1	12	Water divider screw	1
2	Shower arm	1	13	Water divider	1
3	Shower arm cup	1	14	Panel	1
4	Shower hand	1	15	Main body	1
5	Holder parts	2	16	Body box screw	4
6	Lifting rod	1	17	Valve gasket spare parts	4
7	Shower hose	1	18	Wrench	1
8	Handle	1	19	Instruction manual	1
9	Handle screw	1	20	Gloves	2
10	Handle cup	1	21	Cup	1
11	Water divider cup	1	22	Connector	1

◆ **PRODUCT LIST**

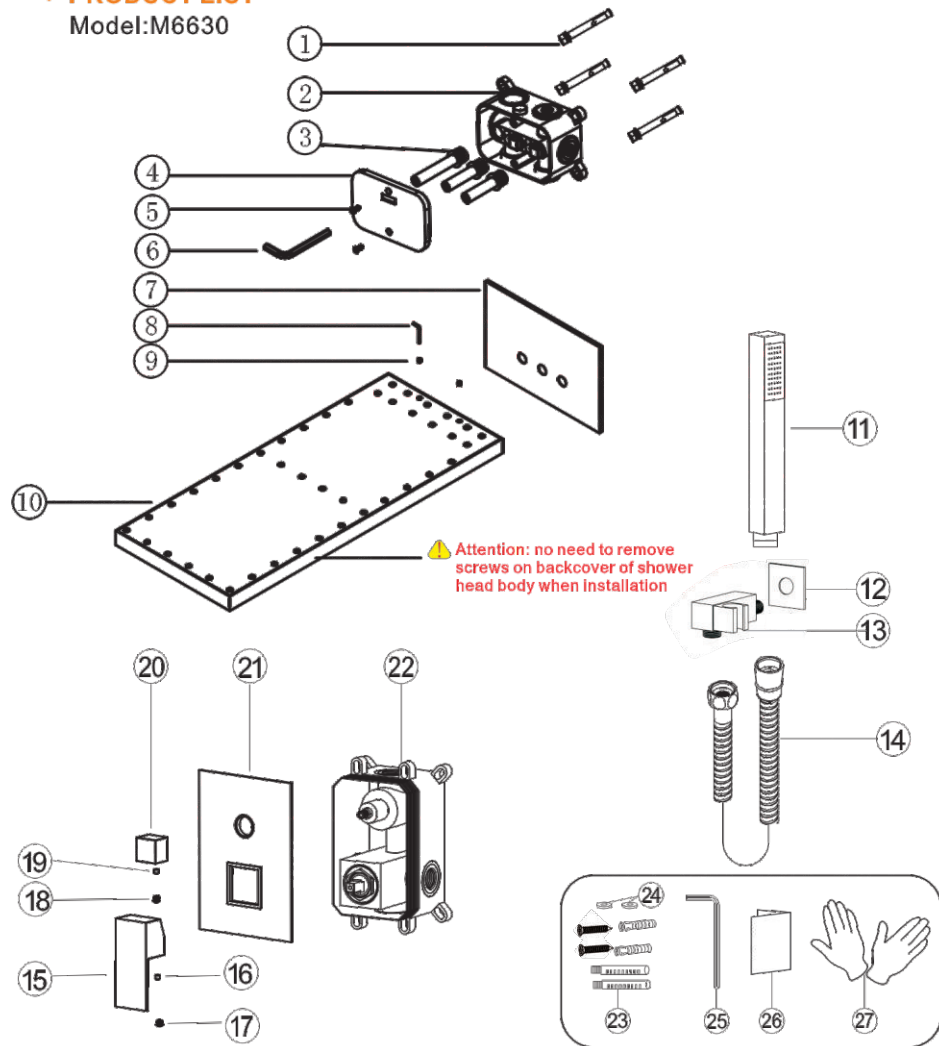
Model:M6603



No.	Part name	Qty	No.	Part name	Qty
1	Shower head	1	13	Water divider	1
2	Shower arm	1	14	Panel	1
3	Shower arm cup	1	15	Main body	1
4	Shower hand	1	16	Bathtub spout body	1
5	Holder cup	1	17	Bathtub spout panel	1
6	Hand shower holder	1	18	Body box screw	4
7	Shower hose	1	19	Valve gasket spare parts	4
8	Handle	1	20	Wrench	1
9	Handle screw	1	21	Instruction manual	1
10	Handle cup	1	22	Gloves	2
11	Water divider cup	1			
12	Water divider screw	1			

◆ PRODUCT LIST

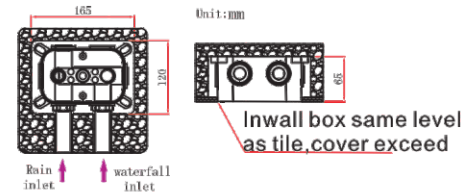
Model:M6630



No.	Part name	Qty	No.	Part name	Qty	No.	Part name	Qty
1	Expansion screws	4	10	Shower head body	1	19	Water divider screw	1
2	Inwall box	1	11	Shower hand	1	20	Water divider	1
3	Water inlet	3	12	Holder cup	1	21	Panel	1
4	Cover	1	13	Hand shower holder	1	22	Main body	1
5	Screw	2	14	Shower hose	1	23	Body box screw	1
6	S8 Allen key	1	15	Handle	4	24	Valve gasket spare parts	1
7	Flange	1	16	Handle screw	4	25	Wrench	1
8	Allen key 2.5	1	17	Handle cup	1	26	Instruction manual	1
9	M4 screw	2	18	Water divider cup	1	27	Gloves	1

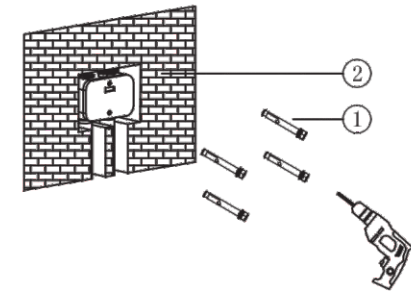
◆ MODEL:M6630 22IN SHOWER HEAD INSTALLATION

1. Digging wall according to following size, and connect rain and waterfall inlet correctly

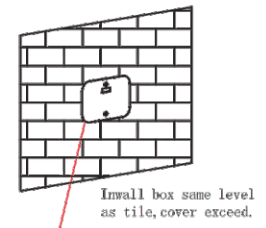


⚠ If the Inwall box is embedded too deep, the shower head will not be installed properly and it will cause water leakage and sag problems. Please pay special attention to the installation depth.

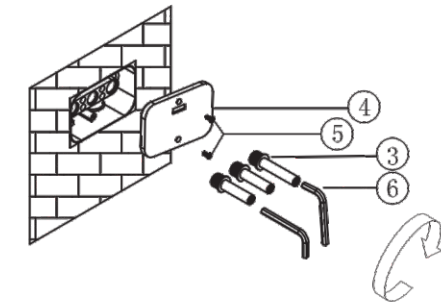
2. Lock Inwall box refer to level meter guarantee horizontal level and test leaking for 24 hours.



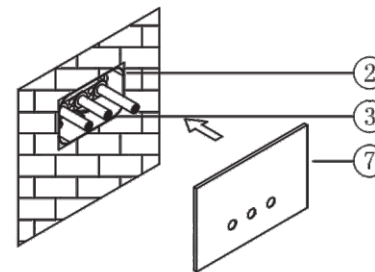
3. Remain inwall box in same level as wall after seal the tile and cover exceed wall.



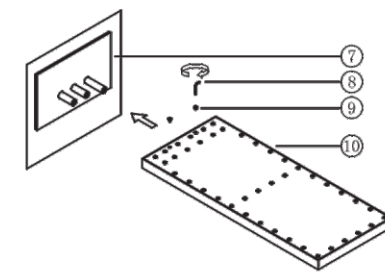
4. Install Shower head body. First remove box cover and plug, screw three water inlets into inwall box with S8 Allen Key. Longest role is support.



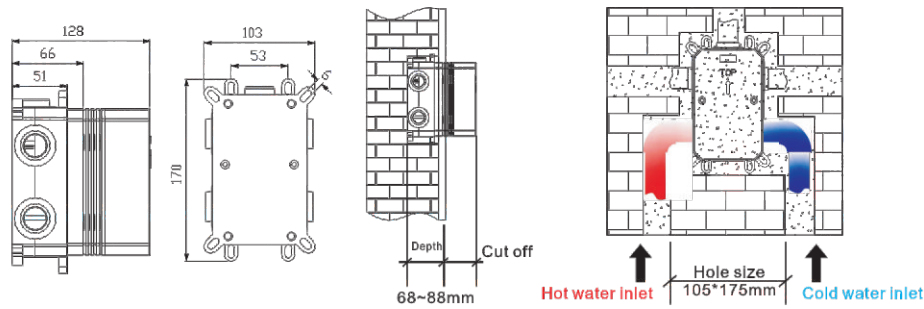
5. Install Flange as picture. Caution: do setp 4-5-6 to test horizontal and vertical position of shower head before wall seal to avoid any trouble of repair after wall seal.



6. Push shower head body into according water inlets, and tighten shower body by M4 screw with Allen key 2.5.

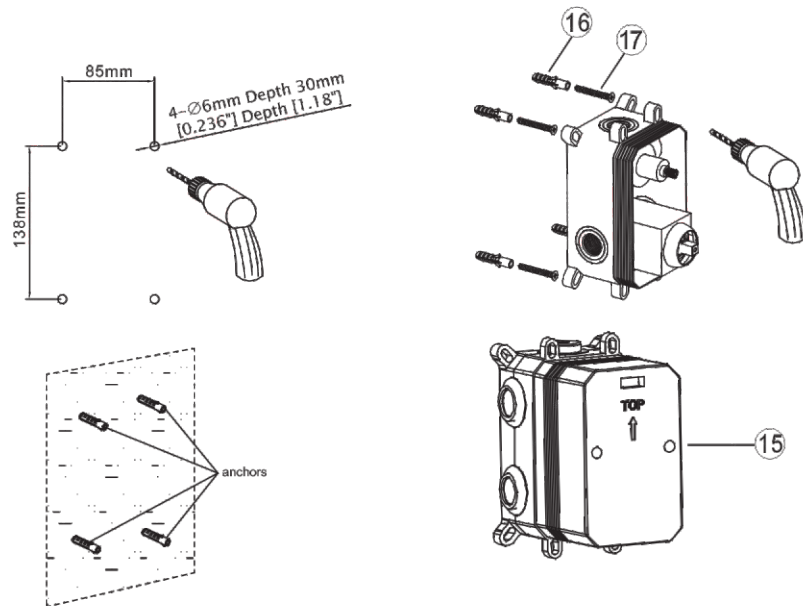


◆ MAIN BODY VALVE INSTALLATION



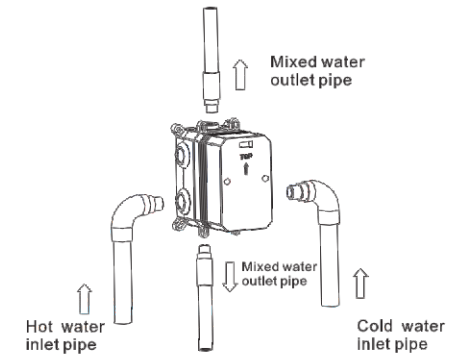
According to the basic size of the concealed box, use a special tool to open the main hole in the solid wall. As shown in the figure, the distance between the surface of the wall after the final treatment and the bottom surface of the opening should be considered to be 68~88mm.

According to the size of installation to install the anchors to the wall, then use ⑯⑰ Valve gasket spare part then install the ⑮ Main body



Please note that the level meter should be parallel, otherwise the panel cannot be installed. Pay attention to the length and width of the screw position before marking.

◆ MODEL: M6627&M6628
TWO-FUNCTION MAIN CONNECTING PIPE SCHEMATIC DIAGRAM

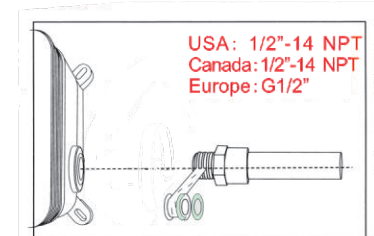
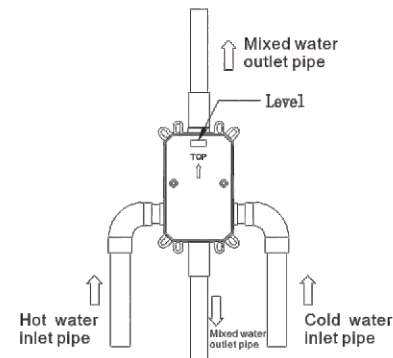


As shown in the figure, the inlet and outlet pipes are pre-buried, pay attention to the correct direction of installing the pre-buried box, and make sure that the mark TOP on the top of the installation box is facing upward.

◆ MODEL: M6627&M6628
2 WAY FUNCTION MAIN BODY CONNECTING PIPE SCHEMATIC DIAGRAM

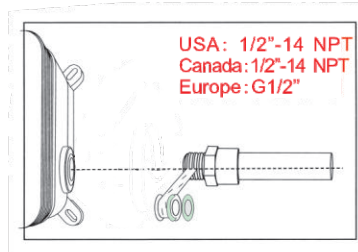
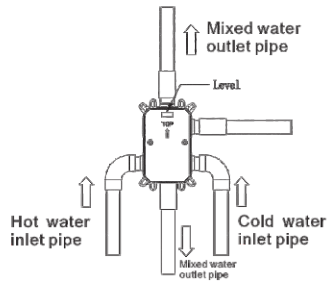



Warning: must install hot water and cold water inlet strictly as instructions.



Install the hot and cold water inlet pipes, Shower head and hand shower holder pipes. Turn on the water source to test whether the left and right inlet pipes are tightly connected without leakage. After the test, adjust the flow switch to be on to test whether the mixed outlet pipe. The connection is tight and there is no leakage.

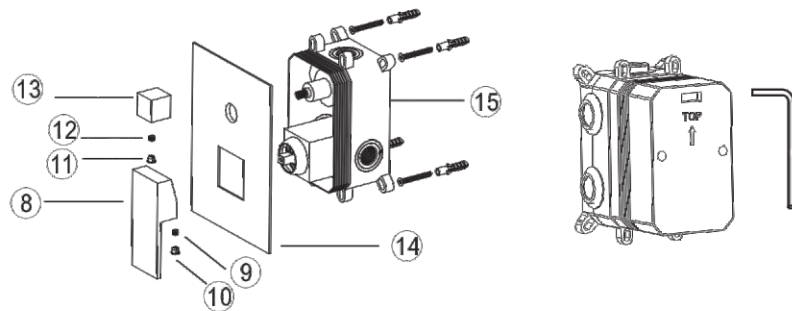
◆ **MODEL :M6630&M6603**
3 WAY FUNCTION MAIN BODY CONNECTING PIPE SCHEMATIC DIAGRAM



 **Warning:** must install hot water and cold water inlet strictly as instructions.

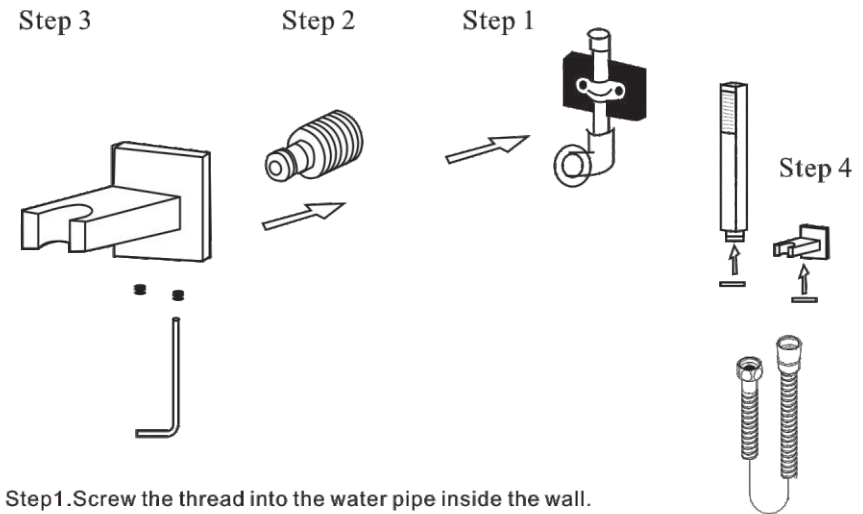
Install the hot and cold water inlet pipes, Shower head and hand shower holder pipes. Turn on the water source to test whether the left and right inlet pipes are tightly connected without leakage. After the test, adjust the flow switch to be on to test whether the mixed outlet pipe. The connection is tight and there is no leakage.

◆ **MAIN BODY ASSEMBLY SCHEMATIC DIAGRAM**



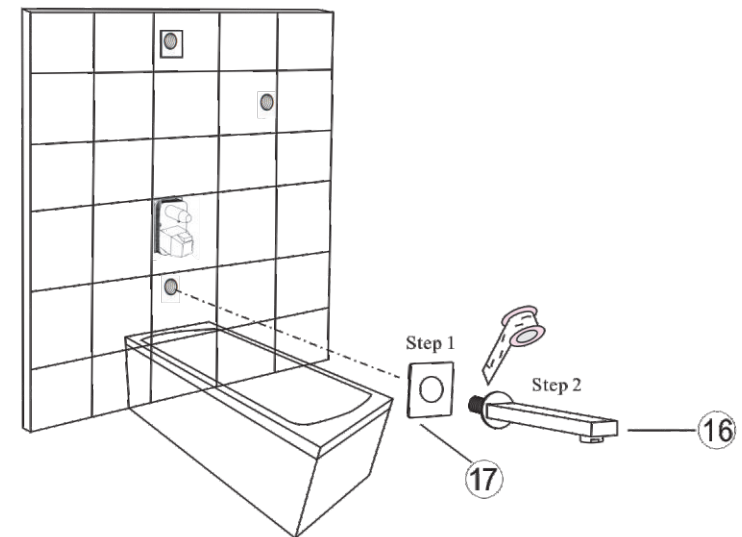
Please fix the ⑮Main body to the wall then remove the plastic protective cover and install ⑭Panel ⑬ Water divider, ⑫ Screw, ⑪ Water divider cup in the order. Finally you could install ⑧Handle, ⑨Screw, ⑩Handle cup.

◆ **MODEL:M6603 SHOWER HOLDER INSTALLATION**
INSTALL THE HAND SHOWER HOLDER



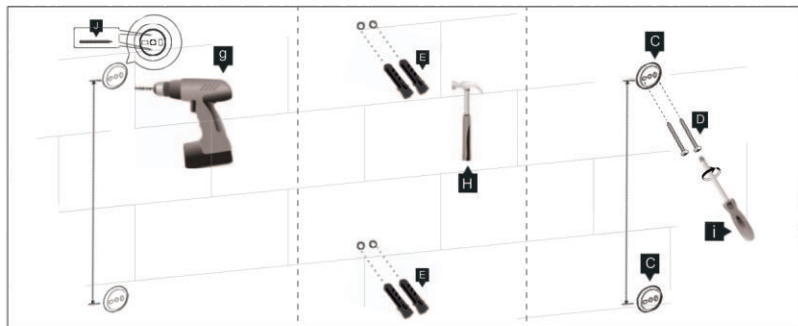
Step1.Screw the thread into the water pipe inside the wall.
 Step2.Screw the main body into the thread.
 Step3.Rotate and fix the body with the special-shaped wrench.
 Step4.Connect hand shower and the hose.

◆ **MODEL: M6603 INSTALL THE TUB SPOUT**

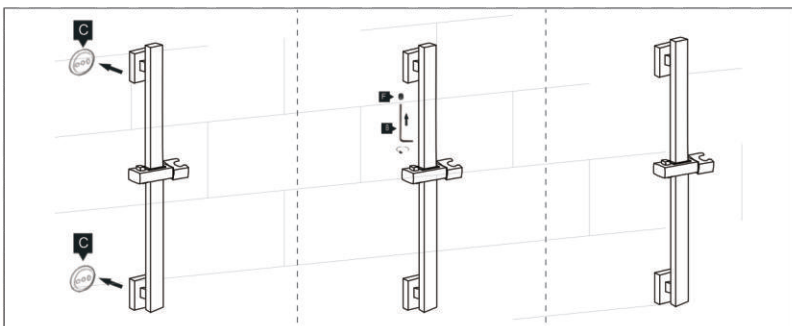


Step1:Put the ⑯ main body decorative cup on the top of ⑰ the bathtub spout.
 Step2:Screw the main body into the thread.

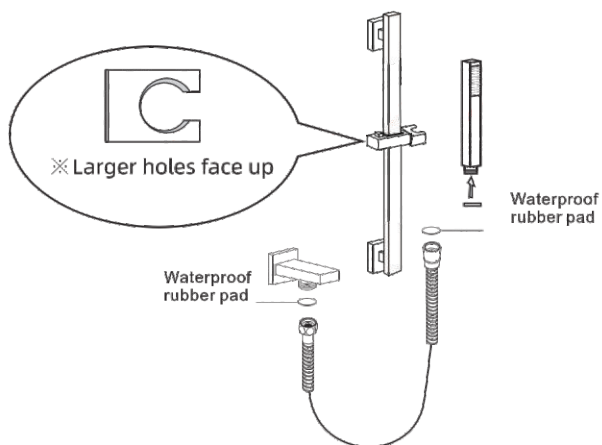
◆ **MODEL :M6627&M6628 LIFING ROD INSTALLATION**



1. Mark the punch position with a pen, drill holes with a 6mm electric drill, knock the pellets in. Lastly, Place the base and screw in the screws.



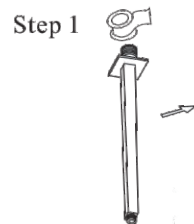
2. Put the Shower Elevator Rack into the base, then Tighten the screw, done.



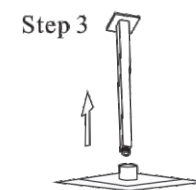
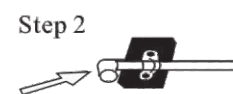
Step1. The connector to be wrapped with teflon tape, Screw the thread into the water pipe inside the wall.

Step2. Install the rubber pad on the shower hose and connect it with the connector.

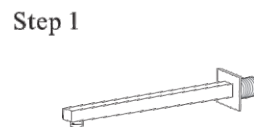
◆ **MODER:M6627&M6630&M6628INSTALLATION OF RAIN SHOWER HEAD**



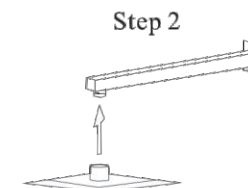
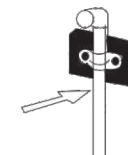
Step1. Wrap the Teflon tape on the thread.
Step2. Rotate the ceiling arm to the pipe Clockwise.



Step3. Connect the rain shower head to the arm.

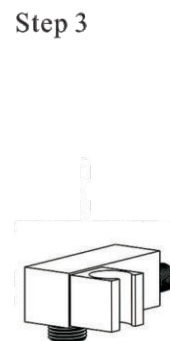


Step1. Screw the thread into the water pipe inside the wall.
Screw the main body into the thread.



Step2. The rain shower head connects to the arm.

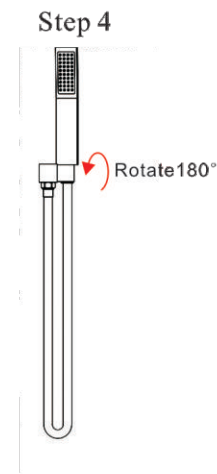
◆ **MODEL:M6630 SHOWER HOLDER INSTALLATION INSTALL THE HAND SHOWER HOLDER**



Step 3

Step 2

Step 1



Step 4

Rotate 180°

Step1. Screw the thread into the water pipe inside the wall.
Step2. Screw the main body into the thread.
Step3. Rotate and fix the body with the special-shaped wrench.
Step4. Connect hand shower and the hose.

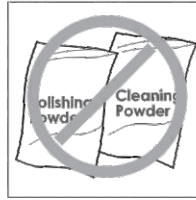
◆ CARE AND MAINTENANCE

In order to keep the mixer surface bright , please clean the mixer regularly.

Rinse faucet with clean water and wipe with soft cotton cloth.

Avoid using cleaning powder , harsh cleaning chemicals, brushes, and cloth with coarse surface to prevent scratching and corrosion.

Do not use acid cleaner to clean the faucet as it may cause surface corrosion of the faucet. If the faucet comes into contact with harmful acid substances, please rinse it with water immediately.



◆ IF A LARGE-SCALE CLEAN-UP IS NECESSARY, FOLLOW THESE PROCEDURES:

1: Use clean water and soft cloth to remove dirt on the surface as much as possible.

2: Use one of the following cleaners to remove dirt on the surface

Mild liquid cleaner.

Colorless glass cleaner, powder cleaner which does not have abrasive function and can be dissolved completely.

Polish liquid which does not have abrasive function.

3: After cleaning, remove the cleansing agent with clean water completely and wipe with soft cotton cloth.

Website: www.casainc.com

Contact Phone Number: (303) 747-4321

Service Contact: service@casainc.com