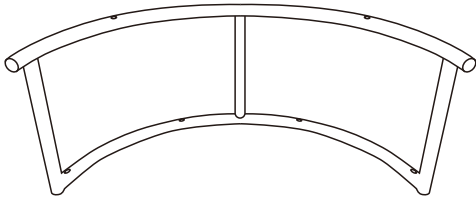


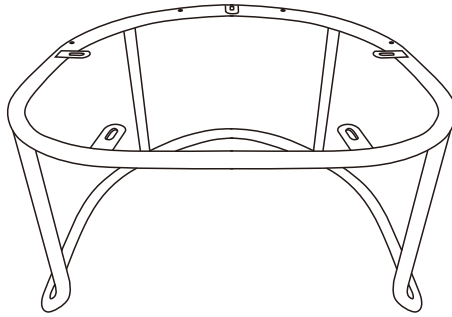
# ASSEMBLY INSTRUCTIONS

HFSN-780

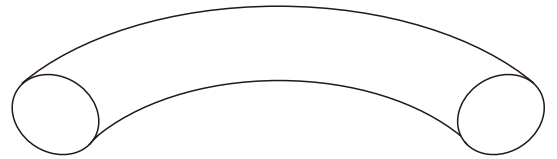
Ax1



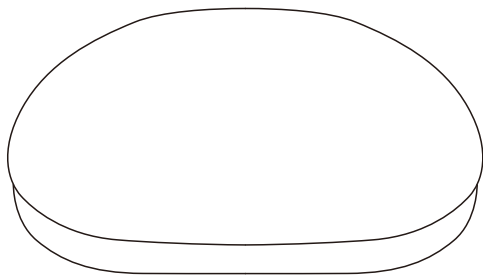
Bx1



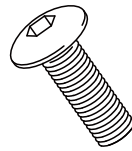
Cx1



Dx1

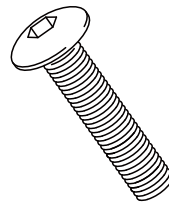


Ex5



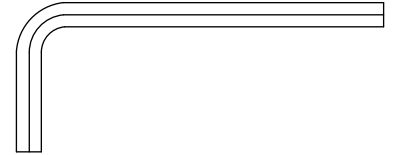
M6\*30MM

Fx6

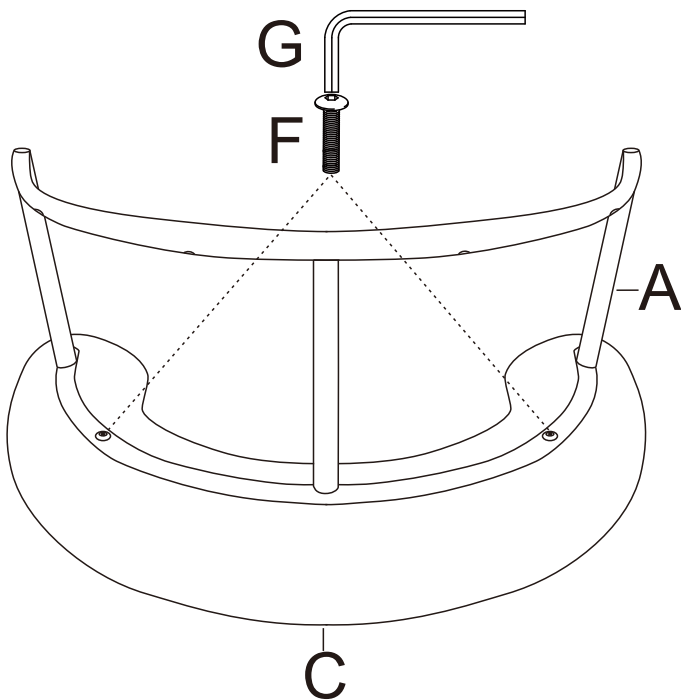


M6\*40MM

Gx1

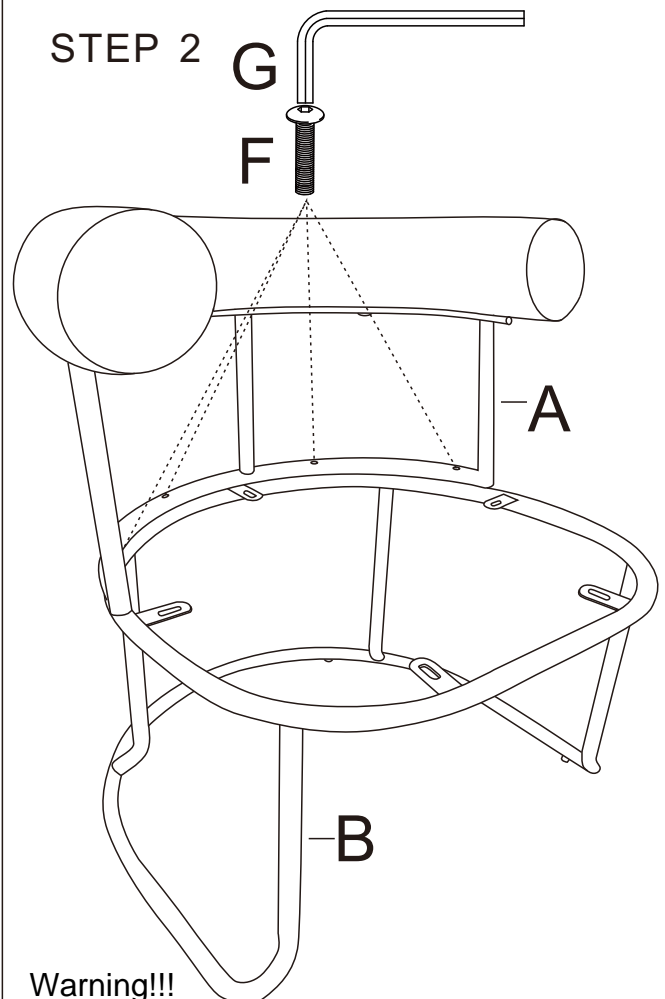


STEP 1



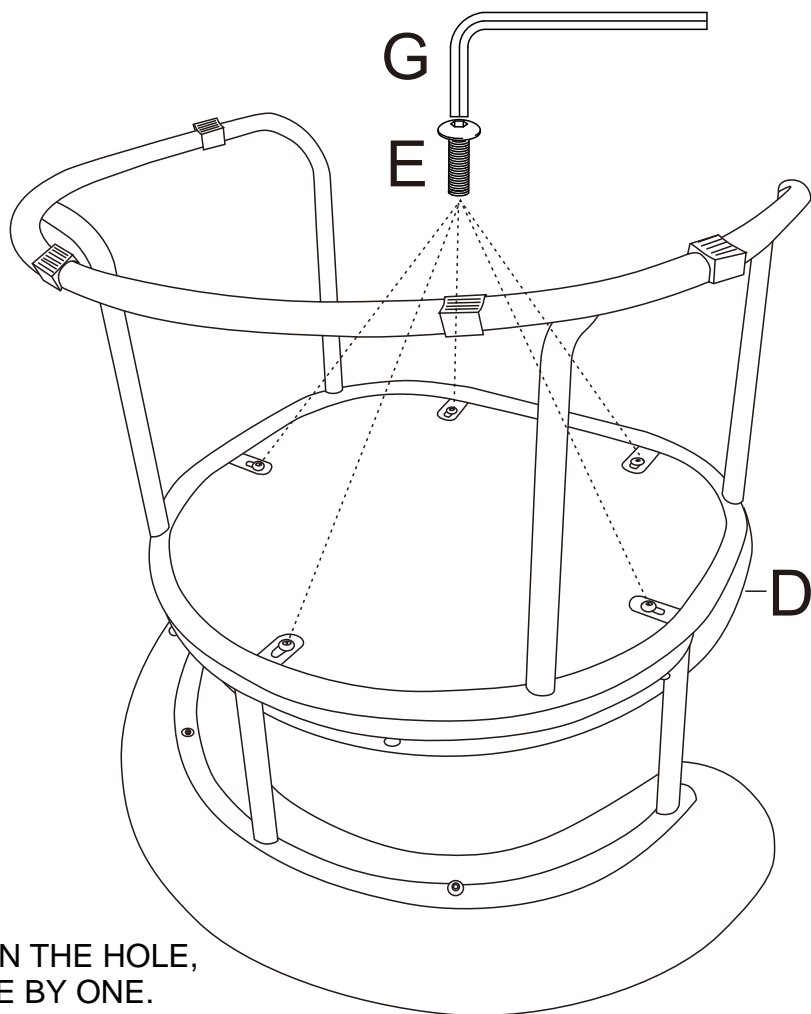
Warning!!!  
PUT ALL SCREWS IN THE HOLE,  
THEN TIGHTEN ONE BY ONE.

STEP 2



Warning!!!  
PUT ALL SCREWS IN THE HOLE,  
THEN TIGHTEN ONE BY ONE.

### STEP 3



Warning!!!  
PUT ALL SCREWS IN THE HOLE,  
THEN TIGHTEN ONE BY ONE.

### STEP 4

