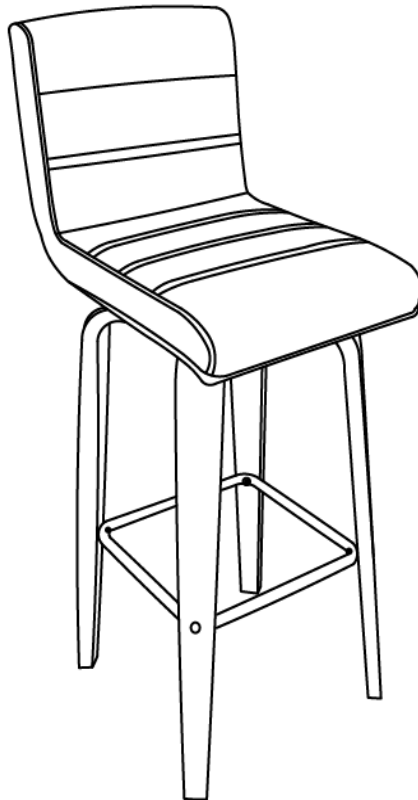

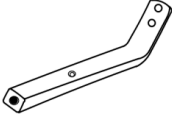
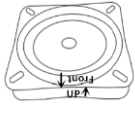

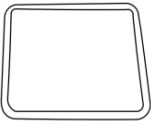


Assembly Instructions

Caution : You must read this before you proceed

Swivel Barstool



Parts List			
Label	Picture	Description	QTY
A		Seat	1
B		Leg	4
C		Turning Plate	1
D		Connector	1
E		Footrest	1

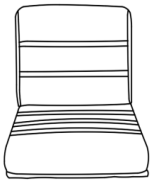
Hardware

Label	Picture	Description	QTY
①		Spring Washer Rings	13
②		Flat Washer Rings	13
③		Cap	5
④		Nut Cap	5
⑤		Bolt(M6*30mm)	9
⑥		Bolt(M6*25mm)	9
⑦		Allen Wrench	1

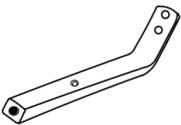
Assembly Preparation

Before Beginning Assembly:

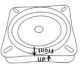
A




B



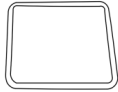
C





D





E





①

X13

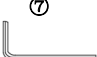
②

X13






③

X5

④

X5

⑤

Bolt(M6*30mm)
X9

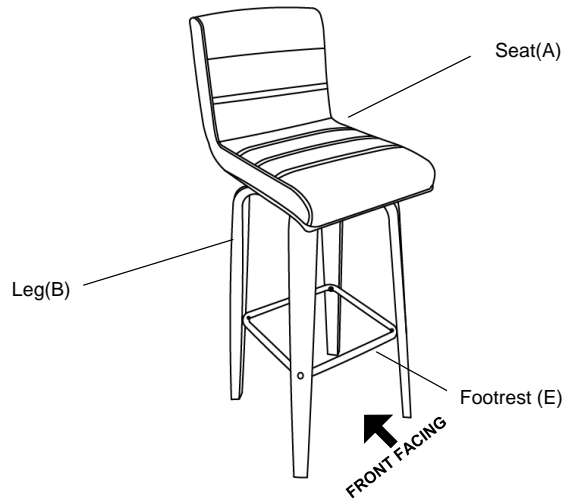
⑥

Bolt(M6*25mm)
X9

⑦


-  • Read instructions, cover to cover-
-  • Have 2 adults on hand for assembly-
-  • Do not assemble on flooring or carpet-
-  • Assemble on a clean non-marring surface (packing foam)-
-  • Save all packaging until finished-

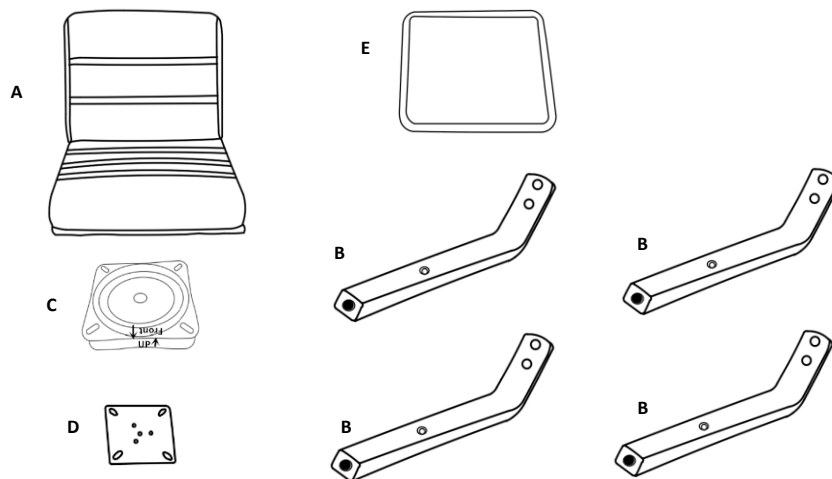
Assembly Steps

Overview



This Swivel Barstool has multiple parts and may require up to some minutes to assemble. To give you an overview of the Swivel Barstool parts, the above picture is to help you put the various parts into perspective. Please read through the instructions below to familiarise yourself with the parts and steps before assembly.

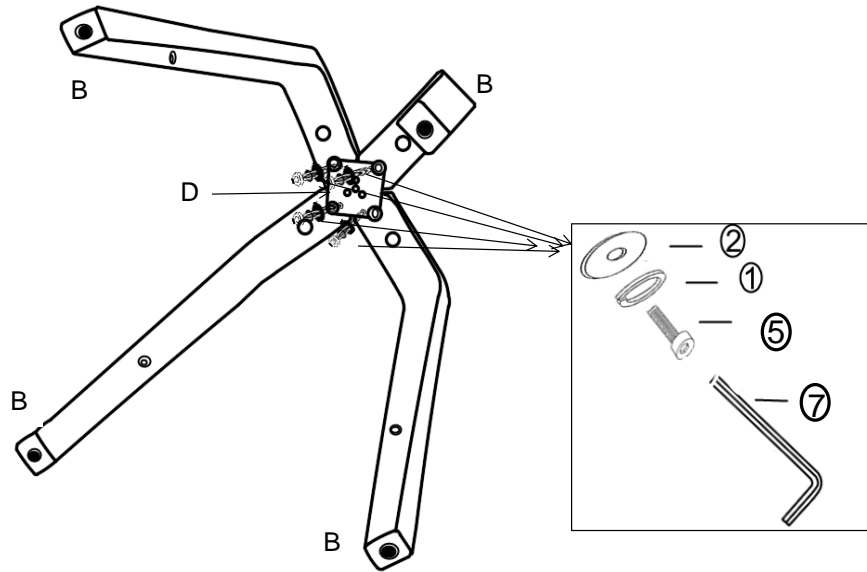
Step 1



Open the carton and place all the parts on a clean, non-marring surface.

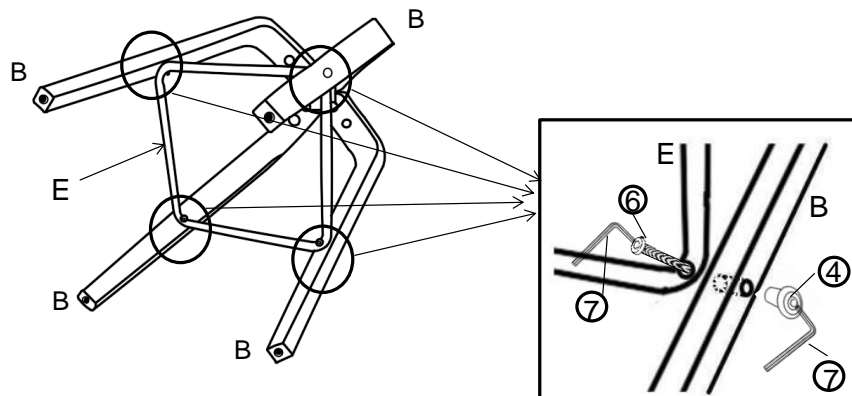
Caution : Do exercise Caution to ensure that your fingers do not get caught or pinched in the assembly process.

Step 2



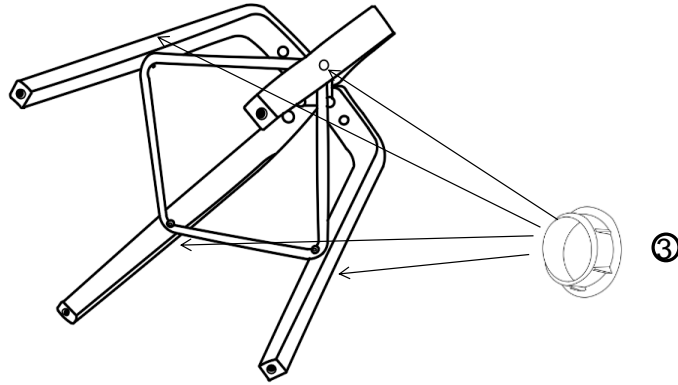
Connect the 4 Legs(B) together by Metal Connector (D) , using 4 pieces of Bolts (5),4 pieces of Spring Washer Rings(1) and 4 pieces of Flat Washer Rings(2) as shown. Tighten the Bolts fully by the Allen Wrench (7) in a sequential manner.

Step 3



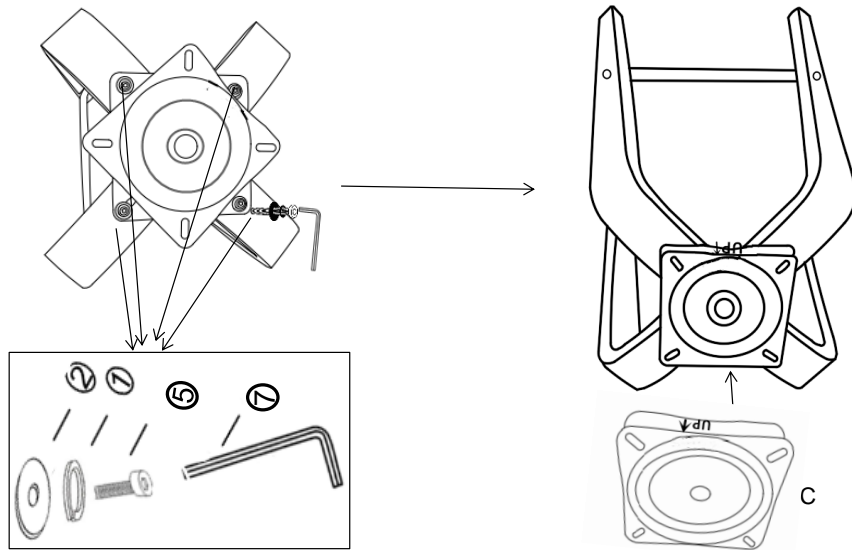
Connect the Footrest to legs by 4 pieces of Bolts (6)and 4 pieces of Nut Caps (4) as shown. Insert the Bolt(6) and Nut Cap (4) into the mounting position. Tighten the Bolts and Nut Caps fully by the Allen Wrench (7) in a sequential manner.

Step 4



Use 4 pieces of Caps (③) to cover the four mounting positions on the outside of four legs as shown.

Step 5

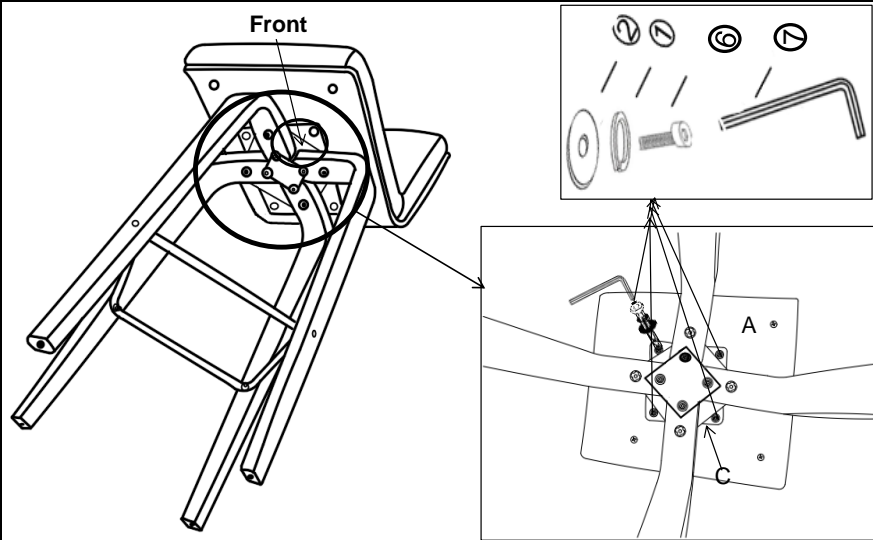


Install the Turning Plate (C) onto the Legs by 4 pieces of Bolts (⑤), 4 pieces of Spring Washer Rings (①) and 4 pieces of Flat Washer Rings (②) as shown.

Tighten the Bolts fully by the Allen Key (⑦) in a sequential manner.

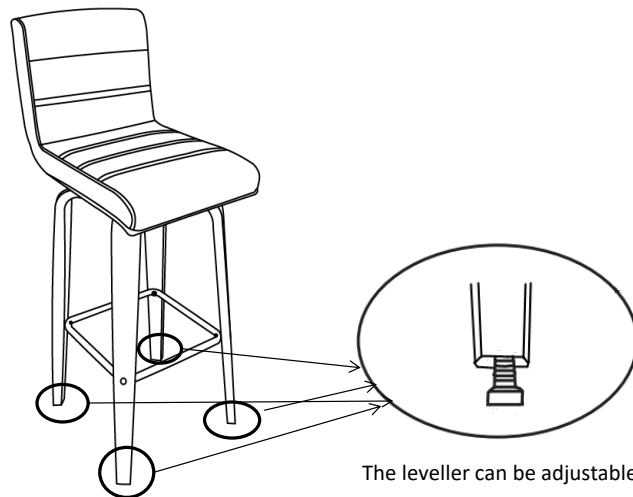
When you install the turning plate (C), please pay attention to the "Front" and "UP" stickers, Make sure you installed in the right direction as shown.

Step 6



Connect the Turning Plate (C) to the bottom of seat(A) by 4 pieces of Bolts (⑥),4 pieces of Spring Washer Rings(①) and 4 pieces of Flat Washer Rings(②) as shown. Tighten the Bolts fully by the Allen Wrench (⑦) in a sequential manner. Caution: Please make sure the Front of Truning Plate (C) keep in the same direction with Seat's (C) Front, when you install it.











Step 7




The leveller can be adjustable.

Turn the Swivel Barstool right way up, it is now ready for use.
Tip: Adjust the Pre-attached Levellers on the chair Legs until the chair is level with the ground.
Caution: This Swivel Barstool can only be used on a flat, level surface.

Care & Maintenance

-  ● Furniture may scratch floors. We recommend using furniture pads to protect your floors.
-  ● Do not put hot items directly on furniture surface.
-  ● Do not clean furniture with harsh cleansers or polish.
-  ● Do not place furniture under direct sunlight.
-  ● Do not place furniture near heating or cooling vents.
-  ● Do not write on furniture without a padded barrier to protect the surface.
-  ● Do not place furniture outside . For indoor use only.
-  ● Not for commercial use. For residential use only.
-  ● Stains may be removed with mild soap solution and damp cloth.
-  ● Children should not climb or jump on the furniture.

-  ● Dust and pick-up spills using a clean, non-colored, lint-free cloth.

Questions & Answers about Proposition 65

• What is Proposition 65?

Proposition 65 requires businesses to provide warnings to Californians about significant exposures to chemicals that cause cancer, birth defects or other reproductive harm. These chemicals can be in the products that Californians purchase, in their homes or workplaces, or that are released into the environment. By requiring that this information be provided, Proposition 65 enables Californians to make informed decisions about their exposures to these chemicals.

Proposition 65 also prohibits California businesses from knowingly discharging significant amounts of listed chemicals into sources of drinking water.

Proposition 65 requires California to publish a list of chemicals known to cause cancer, birth defects or other reproductive harm. This list, which must be updated at least once a year, has grown to include approximately 900 chemicals since it was first published in 1987.

• What types of chemicals are on the Proposition 65 list?

The list contains a wide range of naturally occurring and synthetic chemicals that include additives or ingredients in pesticides, common household products, food, drugs, dyes, or solvents. Listed chemicals may also be used in manufacturing and construction, or they may be byproducts of chemical processes, such as motor vehicle exhaust.

• What does a warning mean?

If a warning is placed on a product label or posted or distributed at a workplace, a business, or in rental housing, the business issuing the warning is aware or believes that it is exposing individuals to one or more listed chemicals.

By law, a warning must be given for listed chemicals unless the exposure is low enough to pose no significant risk of cancer or is significantly below levels observed to cause birth defects or other reproductive harm.

• Where can I get more information on Proposition 65?

If you have specific questions on the administration or implementation of Proposition 65, you can contact OEHHA's Proposition 65 program at P65.Questions@oehha.ca.gov, or by phone at (916) 445-6900.