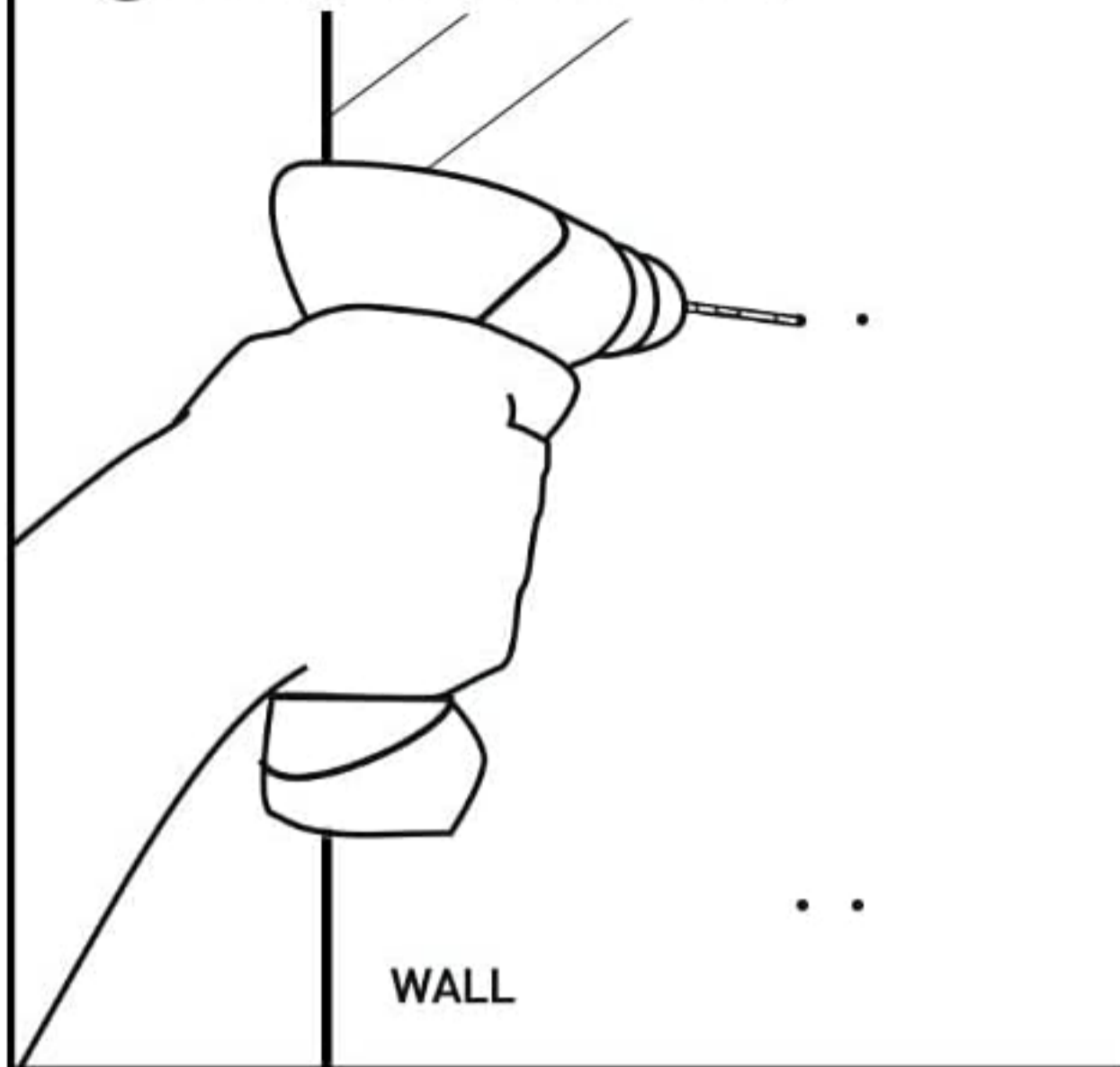
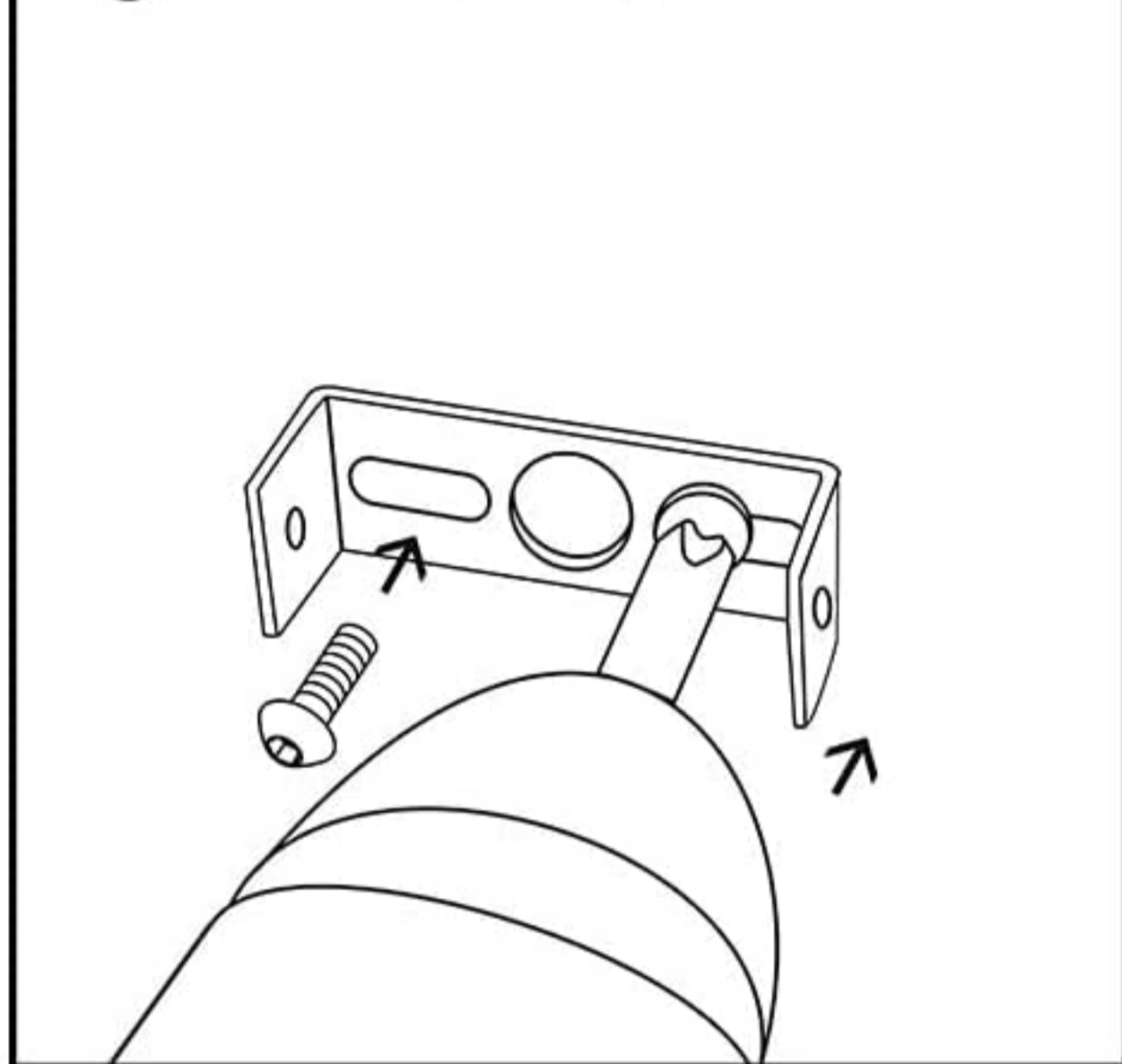


HOW TO INSTALL

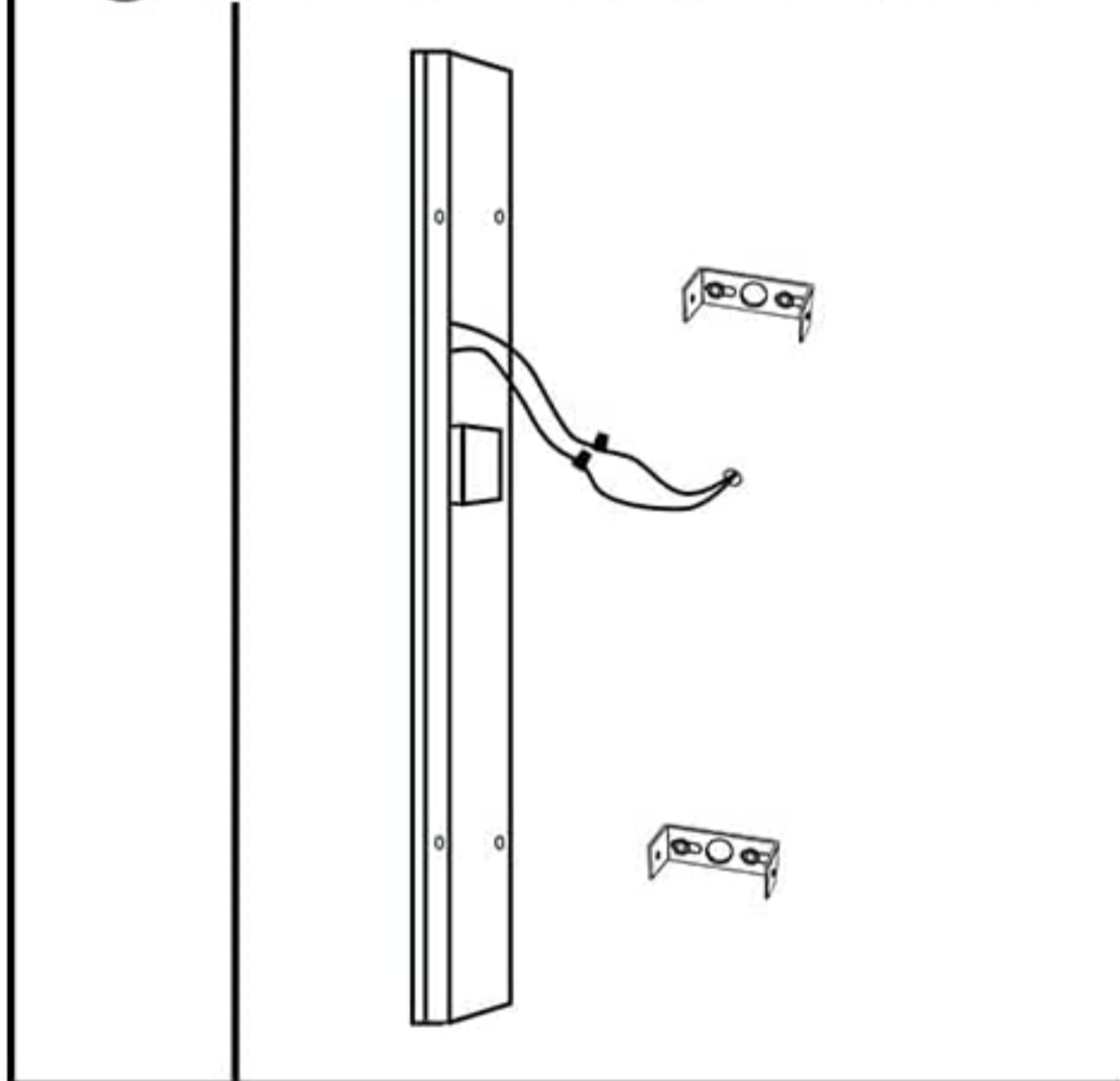
① Make a hole in the wall.



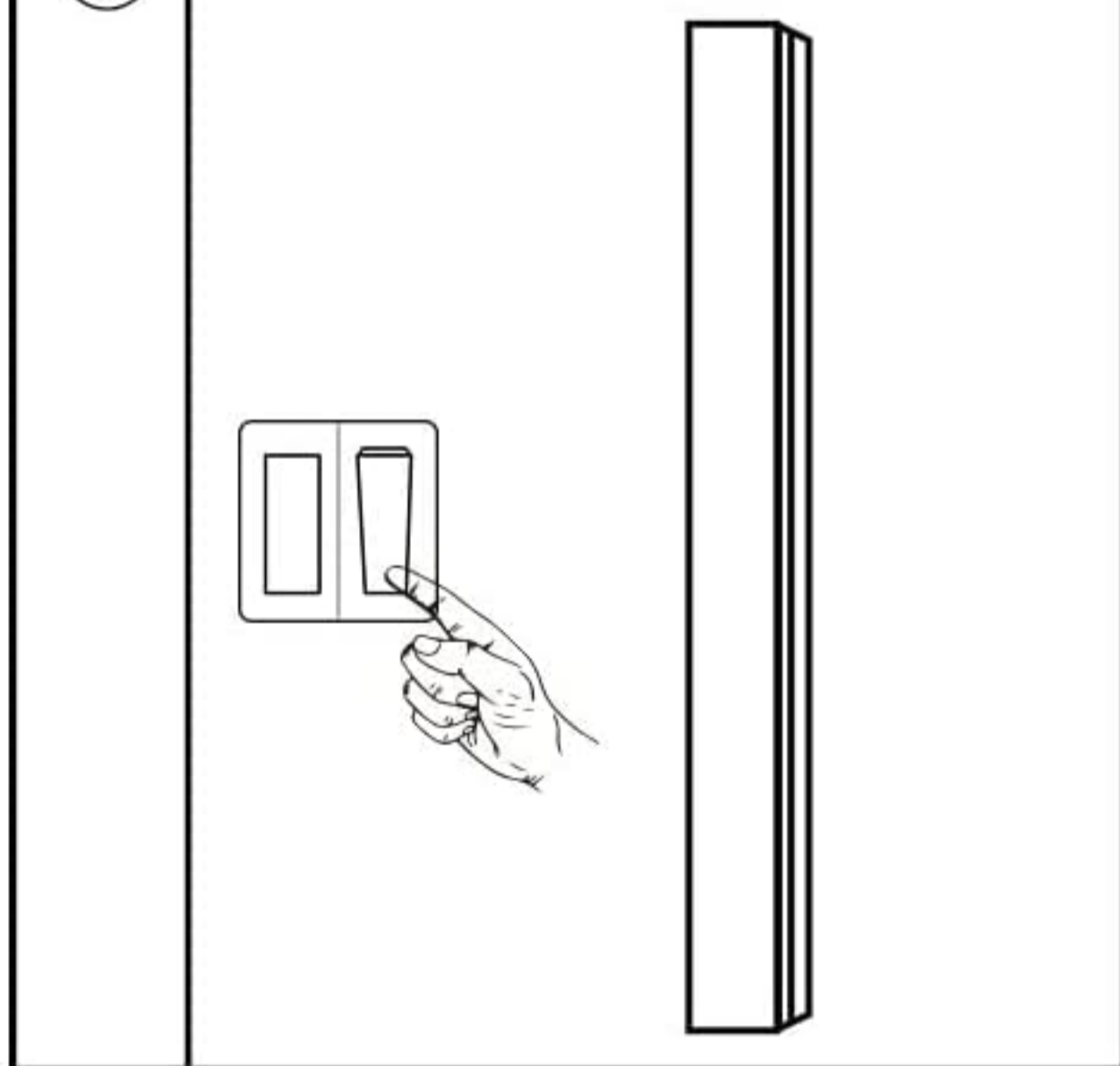
② Install the bottom frame.



③ Install the lamp on the bottom frame.



④ Done.



Warning:

1. Do not use the power supply beyond the specified range (AC85-265V, 50-60Hz).
2. Cut off the power before installation to prevent electric shock.
3. Avoid scratching the lamp and wires during installation.

If you have any questions, please contact our AliExpress customer service or official email.